

PVC Coated Liquidtight Connectors - 90° with Ground

Calbond PVC coated liquidtight connectors are used with liquidtight conduit. The sleeve on the liquid tight connector is sized specifically to tighten around PVC conduit. Pulling compound is recommended for ease of installation. Fittings are provided with a flexible sleeve on the conduit side and a sealing form on both the box side and the mating part of the gland.

Features:

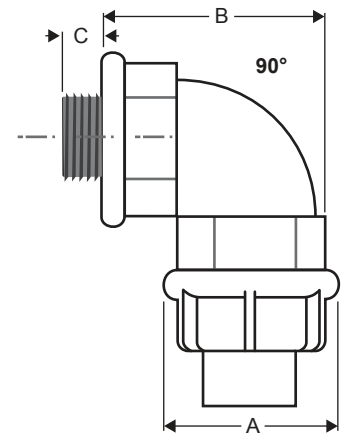
- Exterior PVC coating thickness is a minimum 0.040"
- Interior Urethane coating thickness is a minimum 0.002"
- Sizes available are 1/2" to 4"
- The length of the sleeve extension(s) shall be at least equivalent to the nominal conduit size for sizes 1/2"- 2". For sizes 2-1/2"- 6", the length of the sleeve extension(s) shall be at least 2".
- Available in straight, 45 degree or 90 degree body configurations

Standards:

- UL Standard 514B
- CSA Standard: C22.2 No. 18

UL listings include:

- Ferrous electrical conduit: File # DYIX.E226472
- Ferrous electrical conduit with PVC coating: File # DYJC.E226472



90° with Ground						
Item Number	Trade Size	A	B	C	Weight Per 100 (lbs)	Aluminum Item Number
PV0300LT3890G	3/8"	1.10	1.55	0.56	30	
PV0500LT5090G	1/2"	1.46	1.98	0.56	30	PV0500LT5090GSA
PV0700LT7590G	3/4"	1.96	2.85	0.75	40	PV0700LT7590GSA
PV1000LT10090G	1"	1.96	3.10	0.75	60	PV1000LT10090GSA
PV1200LT12590G	1-1/4"	2.33	3.79	0.81	100	PV1200LT12590GSA
PV1500LT15090G	1-1/2"	3.33	4.48	0.81	170	PV1500LT15090GSA
PV2000LT20090G	2"	3.89	5.48	0.88	270	PV2000LT20090GSA
PV2500LT25090G	2-1/2"	4.52	10.92	1.00	380	
PV3000LT30090G	3"	5.27	12.3	1.00	420	
PV4000LT40090G	4"	6.21	14.7	1.13	620	