

SPECIFICATION SHEET

1100 SERIES 24 HOUR TIME SWITCH SAME ON/OFF TIMES EACH DAY

APPLICATIONS

- Lighting, pumps
- Signs, fans
- Air conditioning
- Water heaters
- Automatic ON/OFF control when operation is required at the same time every day.

FEATURES

SCHEDULING:

Minimum ON is setting 20 minutes with a minimum OFF setting of 75 minutes. Dial accommodates up to 12 pairs of trippers. One pair included.

MANUAL OVERRIDE:

Until the next regularly scheduled ON or OFF automatic operation then resumes.

ENCLOSED MOTOR:

Protects gears to extend life.

SPECIFICATIONS

INPUT VOLTAGE:

120 or 208-277 VAC
60 Hz, varies by model.

TIMING ACCURACY:

Line frequency.

TERMINAL RANGE:

#8 - #14 AWG.

OPERATING TEMPERATURE:

-40 °F to 165 °F (-40 °C to 74 °C).

POWER CONSUMPTION:

3 watts maximum.

ENCLOSURE:

Lockable hasp. Type varies by model.

OTHER MOUNTINGS:

Adaptor Plate model #IAP allows any 1100 series to fit into an Intermatic[®] case.



ORDERING INFO

| CAT. NO. | UPC CODE | INPUT SUPPLY (VAC) 60Hz | OUTPUT CONTACTS | ENCLOSURE TYPE |
|-----------------------------|----------|--|-----------------|--|
| 1101B | 10064 | 120 | SPST | Metal Indoor NEMA 1 |
| 1101B-P | 10068 | 120 | SPST | Polycarbonate Indoor/Outdoor NEMA 3R |
| 1101B-PC | 10095 | 120 | SPST | Polycarbonate Outdoor w/ clear cover NEMA 3R |
| 1101BM-IAP | 10073 | 120 | SPST | Mechanism and retrofit plate |
| 1101-7 * | 10033 | 347 | SPST | Metal Indoor NEMA 1 |
| 1102B | 10065 | 208-277 | SPST | Metal Indoor NEMA 1 |
| 1103B | 10066 | 120 | DPST | Metal Indoor NEMA 1 |
| 1103B-P | 10069 | 120 | DPST | Polycarbonate Indoor/Outdoor NEMA 3R |
| 1103B-PC | 10096 | 120 | DPST | Polycarbonate Outdoor w/ clear cover NEMA 3R |
| 1103B-O | 10098 | 120 | DPST | Metal Indoor/Outdoor NEMA 3 |
| 1104B | 10067 | 208-277 | DPST | Metal Indoor NEMA 1 |
| 1104B-P | 10070 | 208-277 | DPST | Polycarbonate Indoor/Outdoor NEMA 3R |
| 1104B-PC | 10097 | 208-277 | DPST | Polycarbonate Outdoor w/ clear cover NEMA 3R |
| 1104B-O | 10075 | 208-277 | DPST | Metal Indoor/Outdoor NEMA 3 |
| 1104BM-MB | 10076 | 208-277 | DPST | Mechanism and surface mounting bracket |
| 1104BM-IAP | 10074 | 208-277 | DPST | Mechanism and retrofit plate |
| Replacement Trippers | | Order #P47 for a pair of ON/OFF trippers | | |
| Replacement Motor | | #101 (120V) & #201 (208-277V) | | |

 Conversion

Astronomic dial. Consult factory for correct number for your latitude.

* 1101-7 CSA only

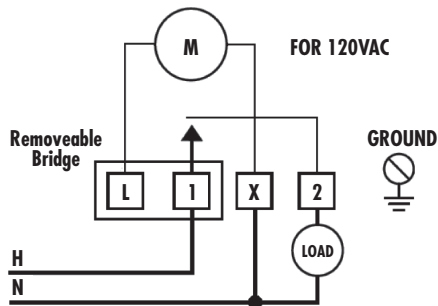


SPECIFICATION SHEET

1100 SERIES us 24 HOUR TIME SWITCH SAME ON/OFF TIMES EACH DAY

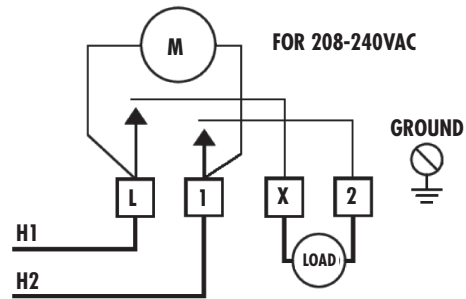
WIRING DIAGRAMS

1101 & 1102

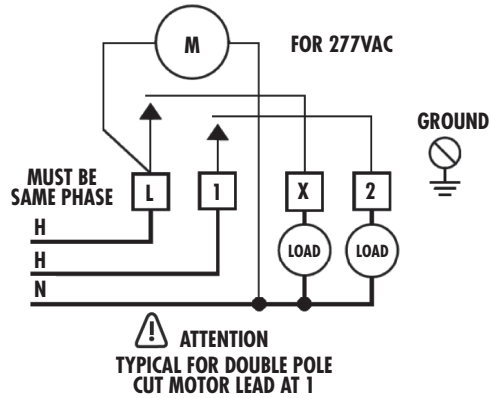
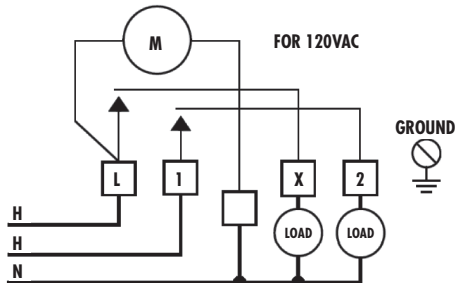


For separate motor terminals remove bridge from terminal L&1.

1104



1103



CONTACT RATINGS

| TYPE | VOLTAGE (VAC) | CONTACT RATING |
|---------------------|---------------|----------------|
| General Purpose | 120-277 | 40A |
| Resistive | 120-277 | 40A |
| Tungsten | 120 | 40A |
| Ballast | 120-277 | 20A |
| LED Driver | 120-277 | 20A |
| Pilot Duty | 120 | 1000VA |
| | 240 | 2000VA |
| Motor | 120 | 2HP |
| | 240 | 5HP |
| 277VAC Single Phase | | |

NEW!

1101-7 is 30 AMP inductive at 347 volts and CSA only. 