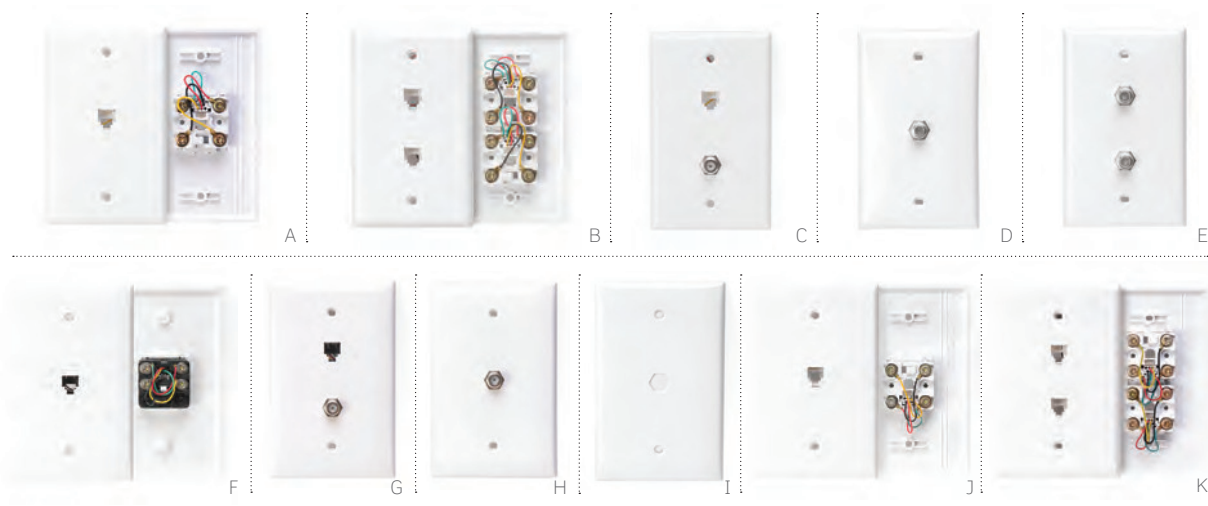


# WALLPLATES & HOUSINGS | Telephone & Video Wallplates

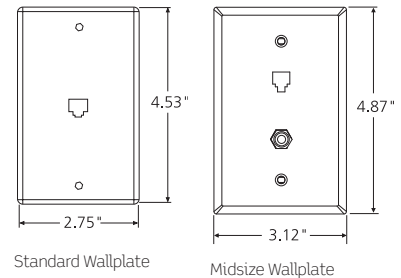
**COPPER**

wallplates  
 housings



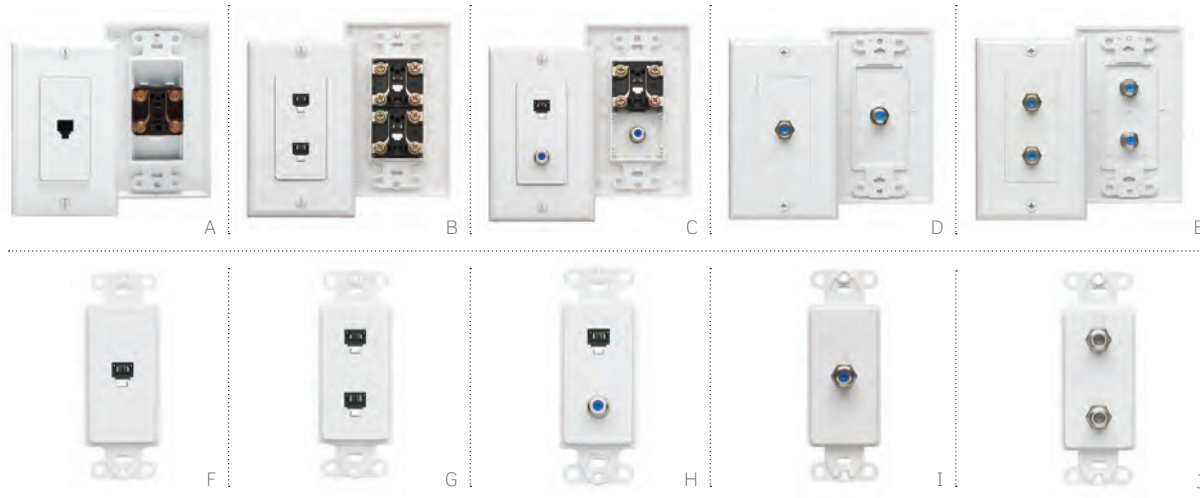
## TELEPHONE & VIDEO WALLPLATES

- Provide quick at-the-wall connections for RJ-11 telephone and F-connection video applications
- High-quality ABS plastic or nylon which provides superior resistance to impacts, chemicals, and solvents as compared to other plastics
- Midsize wallplates hide irregular drywall cuts or flaws around outlets
- cULus Listed, fire-retardant material rated UL 94V-0



STANDARD TELEPHONE & VIDEO WALLPLATES				
DESCRIPTION	WHITE	LT. ALMOND	IVORY	
<b>[A]</b> Wall Jack, 6P4C	40249-00W	40249-00T	40249-00I	
<b>[B]</b> Wall Jack, 6P4C + 6P4C	40244-00W	40244-00T	40244-00I	
<b>[C]</b> Wall Jack, 6P4C + F-connector	40259-00W	40259-00T	40259-00I	
<b>[D]</b> Wall Jack, F-connector	80781-00W	80781-00T	80781-00I	
<b>[E]</b> Wall Jack, F-connector + F-connector	80782-00W	80782-00T	80782-00I	
Wall Jack, 6P6C	40238-00W	40238-00T	40238-00I	
Wall Jack, 6P6C + F-connector	40258-00W	40258-00T	40258-00I	
Wall Jack, 6P6C + 6P6C	40266-00W	40266-00T	40266-00I	
Wall Jack, 8P8C	40280-00W	40280-00T	40280-00I	
MIDSIZE TELEPHONE & VIDEO WALLPLATES (NYLON)				
DESCRIPTION	WHITE	LT. ALMOND	IVORY	BROWN
<b>[F]</b> Wall Jack, 6P4C	40539-PMW	40539-PMT	40539-PMI	40539-PMB
<b>[G]</b> Wall Jack, 6P4C + F-connector	40539-CMW	40539-CMT	40539-CMI	40539-CMB
<b>[H]</b> Wall Jack, F-connector	40539-0MW	40539-0MT	40539-0MI	40539-0MB
<b>[I]</b> Hex Opening (connector not included)	40539-HMW	40539-HMT	40539-HMI	40539-HMB
MIDSIZE TELEPHONE & VIDEO WALLPLATES (ABS)				
DESCRIPTION	WHITE	LT. ALMOND	IVORY	
<b>[J]</b> Wall Jack, 6P4C	40549-00W	40549-00T	40549-00I	
<b>[K]</b> Wall Jack, 6P4C + 6P4C	40544-00W	40544-00T	40544-00I	

# WALLPLATES & HOUSINGS | Decora® Telephone & Video Wallplates & Inserts



**COPPER**  
wallplates  
housings

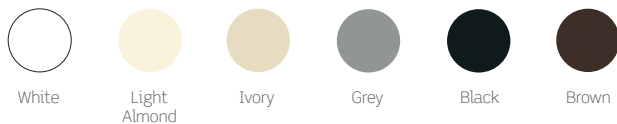
## DECORA TELEPHONE & VIDEO WALLPLATES

- 6P4C models feature lead-frame design for improved reliability and simple installation
- Decora inserts are compatible with Decora wallplates and Decora Plus screwless wallplates
- Decora wallplate assemblies include a Decora insert and matching Decora wallplate
- Decora Kits include a 1- or 2-port QuickPort® Decora insert and USOC or F-type QuickPort connectors
- Inserts, assemblies, and kits are cULus Listed and rated UL 94V-0



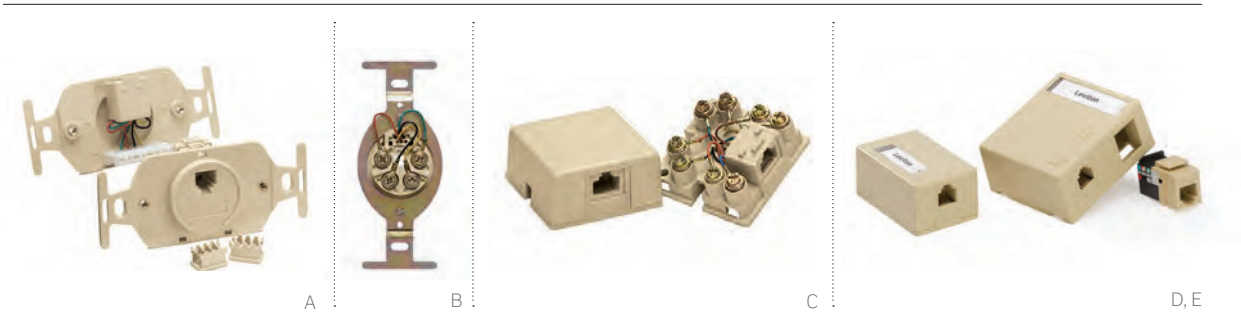
Inserts fit Decora Wallplates found on page A59.

DECORA STANDARD TELEPHONE & VIDEO WALLPLATE ASSEMBLIES (WALLPLATE INCLUDED)						
DESCRIPTION	WHITE	LT. ALMOND	IVORY			
[A] Wall Jack, 6P4C	40149-00W	40149-00T	40149-00I			
[B] Wall Jack, 6P4C + 6P4C	40144-00W	40144-00T	40144-00I			
[C] Wall Jack, 6P4C + F-connector	40159-00W	40159-00T	40159-00I			
[D] Wall Jack, F-connector	40981-0WD	40981-0TD	40981-0ID			
[E] Wall Jack, F-connector + F-connector	40982-0WD	40982-0TD				
DECORA TELEPHONE & VIDEO INSERTS (WALLPLATE NOT INCLUDED)						
DESCRIPTION	WHITE	LT. ALMOND	IVORY	GREY	BLACK	BROWN
[F] Wall Jack, 6P4C	40649-00W	40649-00T	40649-00I	40649-0GY	40649-00E	40649-000
[G] Wall Jack, 6P4C + 6P4C	40644-00W	40644-00T	40644-00I			
[H] Wall Jack, 6P4C + F-connector	40659-00W	40659-00T	40659-00I			
[I] Wall Jack, F-connector	40681-00W	40681-00T	40681-00I	40681-0GY		40681-00B
[J] Wall Jack, F-connector + F-connector	40682-00W		40682-00I			
DECORA TELEPHONE & VIDEO INSERT KITS (WALLPLATE NOT INCLUDED)						
DESCRIPTION	WHITE	LT. ALMOND	IVORY	GREY	BLACK	
Wall Jack, 6P6C	41638-00W	41638-00T	41638-00I	41638-0GY	41638-00E	
Wall Jack, 6P6C + F-connector	41658-00W	41658-00T	41658-00I			



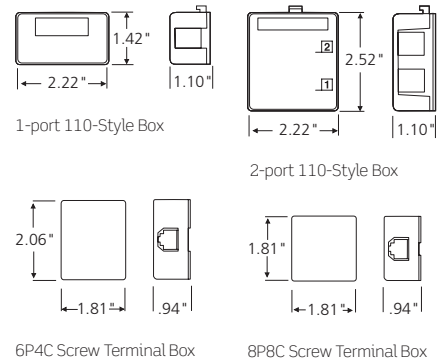
# WALLPLATES & HOUSINGS | Round Telephone Inserts & Surface-Mount Boxes

**COPPER**  
wallplates  
housings



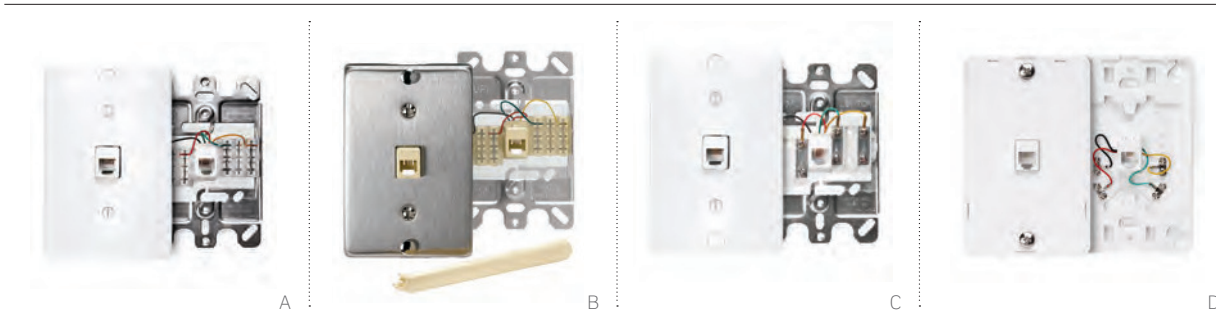
## ROUND TELEPHONE INSERTS & SURFACE-MOUNT BOXES

- Round inserts available with screw terminal or 110 terminations
- See page A60 for wallplates with round openings
- Surface-mount kits include 1- or 2-port QuickPort® housing with 6P6C USOC or 8P8C CAT 3 connectors
- Surface-mount boxes feature 4-, 6-, and 8-conductor screw terminal connections
- Shorting bar option for use with monitored home security systems



ROUND TELEPHONE INSERTS			
DESCRIPTION	IVORY		
<b>[A]</b> Round Insert, 6P4C, 110 termination	41054-IDD		
<b>[B]</b> Round Insert, 6P4C, screw terminal	40201-00I		
SURFACE MOUNT TELEPHONE BOXES			
DESCRIPTION	WHITE	LT. ALMOND	IVORY
Surface-Mount Box, 6P4C, screw terminal	4625A-24W	4625A-24T	4625A-24I
Surface-Mount Box, 6P6C, screw terminal	4625A-26W	4625A-26T	4625A-26I
<b>[C]</b> Surface-Mount Box, 8P8C, screw terminal	40278-00W	40278-00T	40278-00I
Surface-Mount Box, 8P8C w/ shorting bar, screw terminal		40278-SBT	40278-SBI
SURFACE MOUNT TELEPHONE BOXES - KITTED			
DESCRIPTION	IVORY		
<b>[D]</b> Surface-Mount Box, 6P6C, 1-port, 110 termination	42036-IDA		
<b>[E]</b> Surface-Mount Box, 6P6C + 6P6C, 2-port, 110 termination	42046-IDA		
Surface-Mount Box, 8P8C, CAT 3, 1-port, 110 termination	42038-IDB		
Surface-Mount Box, 8P8C + 8P8C, CAT 3, 2-port, 110 termination	42048-IDB		

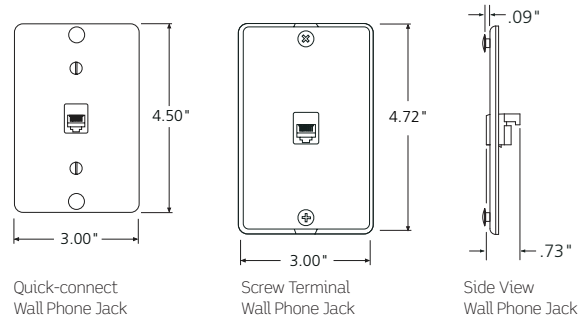
# WALLPLATES & HOUSINGS | Telephone Wall Phone Jacks



**COPPER**  
wallplates  
housings

## TELEPHONE WALL PHONE JACKS

- Wall phone jacks available in 4- or 6-conductor models
- Screw terminal or quick-connect termination options
- Quick-connect products include plastic punchdown tool



### WALL PHONE JACK WALLPLATES - 110-STYLE

DESCRIPTION	WHITE	LT. ALMOND	IVORY	GREY	STAINLESS
<b>[A]</b> Wall Phone Jack, 6P4C quick-connect, plastic w/ metal base	40253-00W	40253-00T	40253-00I	40253-00G	
Wall Phone Jack, 6P6C quick-connect, plastic w/ metal base	40263-00W	40263-00T	40263-00I		
<b>[B]</b> Wall Phone Jack, 6P4C quick-connect, stainless w/ metal base					40223-00S
Wall Phone Jack, 6P6C quick-connect, stainless w/ metal base					40226-00S

### WALL PHONE JACK WALLPLATES - SCREW TERMINAL

DESCRIPTION	WHITE	LT. ALMOND	IVORY
<b>[C]</b> Wall Phone Jack, 6P4C screw terminal, plastic w/ metal base	40257-00W	40257-00T	40257-00I
<b>[D]</b> Wall Phone Jack, 6P4C screw terminal, plastic w/ plastic base	40214-00W	40214-00T	40214-00I
Wall Phone Jack, 6P6C screw terminal, plastic w/ plastic base	40216-00W	40216-00T	40216-00I

