

AnyBODY™ Conduit Bodies

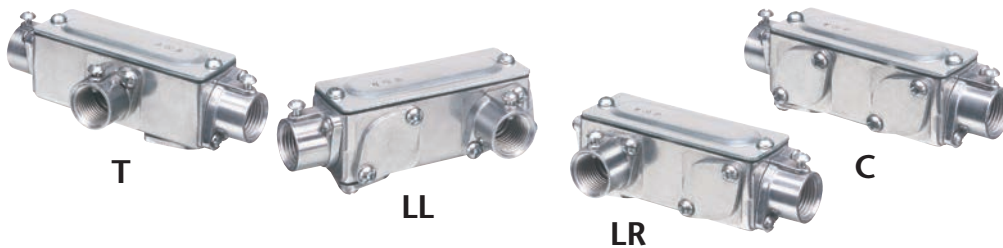
MORE
on
reverse

Aluminum & Plastic • Weather-tight Seal for Exterior Use

AnyBODY ships as an LB...



But converts to a T, LL, LR or C



es e
ee s t s e t e e

Arline's aluminum or plastic AnyBODY ships as an LB, but converts to a T, LL, LR or C by simply installing the standard and threaded lugs to create the style you need.

It's easy and convenient.

Plus, it saves you the hassle, space, and cost of stocking 10 different conduit bodies.

Whether combined with other LBs, 1" NO. E-RACO for normally more than 10.

Plastic

6 sizes 1/2" to 4"

6 Includes threaded non-metallic lugs 1" lugs in conduit joint

Aluminum

6 sizes 1/2" to 4"

6 Includes threaded lugs for threaded nuts

6 1/2" to 2" are combination EM/rid 5" for threaded or rid, but also available as threaded EM 1" EM

6 at door joints maintain 1" at joints

6 L/C A Listed



View Video



Arlington

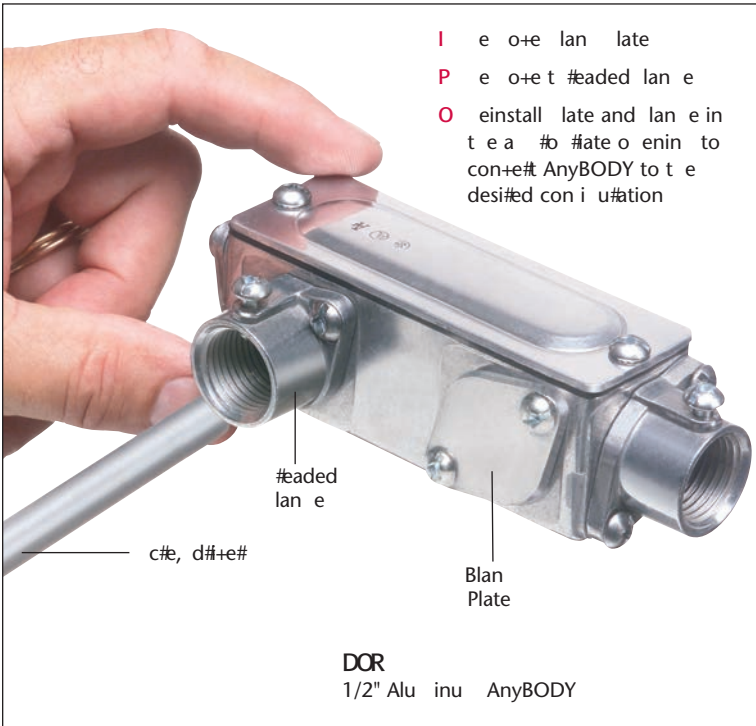
1 Stauffer Industrial Park
Scranton, PA 18517
800/233.4717
Fax 570/562.0646
www.aifittings.com

Meets NEC 2011 314.16 (c) (2) for Conduit Bodies with Splices, Taps or Devices.

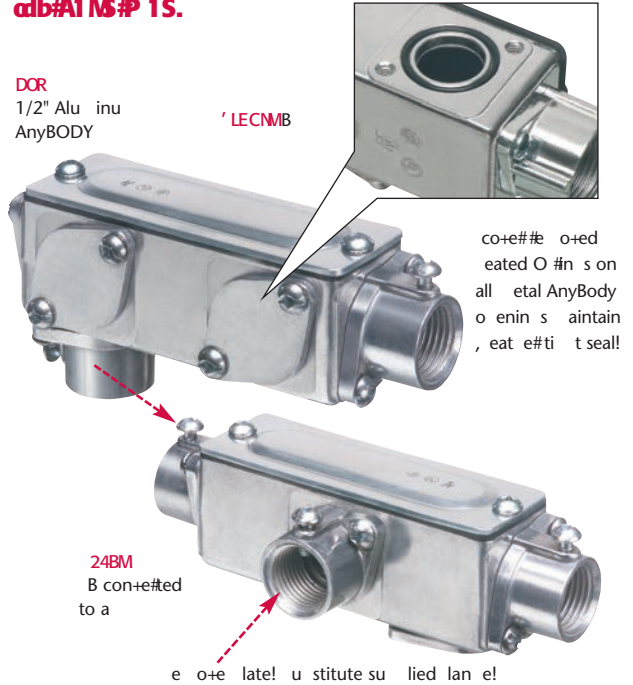
Patent pending

Any BODY™ Conduit Bodies

Aluminum & Plastic • Weather-tight Seal for Exterior Use



8ki rbrn#i s7D9S#trhg #Li #C7#k#L#N#B#A#I #k#C# #adb#A#I#S#P#1S.



Meets NEC 2011 314.16 (c) (2) for Conduit Bodies with Splices, Taps or Devices.

(n' those conduit odies that are dura l' and le i l' ar ed ' the anufacturer with their volu e shall e per itted to contain splices, taps or devices. The a& u nu er of conductors shall e calculated in accordance with 314.16 (B). Conduit odies shall e supported in a ri id and secure anner.)

Catalog Number	UPC/DEI/NAED Mfg. #018997	Description Aluminum or Plastic Body	Size	Unit Pkg	Std Pkg
17900		1 fpg & pg with combination set-screw/threaded flanges for EMT, rigid and IMC	1/2"	10	10
17901			3/4"	10	10
17902			1"	5	5
17903			1-1/4"	2	10
17904			1-1/2"	2	10
17905		2"	1	5	
17906		1 fpg & pg with threaded flanges for rigid only	2-1/2"	1	1
17907			3"	1	1
17908			3-1/2"	1	1
17909			4"	1	1
12500		EfUnoa includes Three Flanges with Glue-in Conduit Joints	1/2"	10	10
12501			3/4"	10	10
12502			1"	5	5
12503			1-1/4"	2	10
12504			1-1/2"	2	10
12505			2"	1	5
12506			2-1/2"	1	1
12507			3"	1	1
12508			3-1/2"	1	1
12509		4"	1	1	



1 Stauffer Industrial Park
Scranton, PA 18517
800/233.4717
Fax 570/562.0646
www.aifittings.com



An 1 5 Patent pending

Distributed by