

**Commercial Exit Signs**

**VC Series**  
Value+ "Economy Grade"  
Thermoplastic Combo



**Specifier's Reference**

Project
Type
Model No.
Comments

**codes and standards**

- UL listed to Standard 924
- NFPA 70 (National Electric Code)
- NFPA 101 (Life Safety Code)
- California Energy Commission
- UL listed for damp location.

**construction**

- Black and white finishes are epoxy-based powder coat paint.
- Low profile, snap-together quick mount design.
- Flame rated, UV stable thermoplastic housing.

**installation**

- Universal wall or ceiling mounting.
- Pop-out chevron directional indicators are easily removed when required.

**electronics**

- Maintenance free 6V sealed lead acid battery.
- Supplies 90 minutes of emergency power.
- Surge protection, low voltage disconnect, AC lockout installation, brown out protection, and constant current charger.
- 120/277 VAC selectable input.
- VC Units:  
Input Power: 0.030A (120VAC)  
Input Power: 0.013A (277VAC)
- VCWLRCSD comes with self testing/self diagnostic circuitry that will automatically initiate a one minute monthly test, a 30 minute test every 6th month and one 90 minute test annually. A manual test can be performed at anytime by simply pressing test button. See spec sheet CE-17300.

**lamps**

- Bright red or green energy efficient LED lamps
- Uniform 6" letter illumination (3/4" stroke).

**battery**

- Maintenance free sealed lead acid battery has an estimated service life of 5 years and a operating temperature range of 65°F (19°C) to 85°F (30°C).
- Provides 90 minutes of emergency illumination.

**remote capacity**

- Optional remote capacity model includes 6V maintenance free sealed lead acid batteries.
- Supplies 90 minutes of emergency power for exit sign plus an additional 12W of 6V-DC load.

**warranty**

- Three year warranty on unit.

**Green Product Choice:VCRW**

Catalog Number	Volts	Wattage	Letter Color	Housing Color	Lamp Type	Remote Capacity
VCRW	6	22	Red	White	5.4W tungsten	12W
VCGW	6	22	Green	White	5.4W tungsten	12W
VCRWSD	6	22	Red	White	5.4W tungsten	12W
VCGWSD	6	22	Green	White	5.4W tungsten	12W
VCRB	6	22	Red	Black	5.4W tungsten	12W
VCGB	6	22	Green	Black	5.4W tungsten	12W
VCRWLR	6	12	Red	White	5.4W tungsten	none
VCGWLR	6	12	Green	White	5.4W tungsten	none

**Combo Lamp Heads**

Unique design allows for lamp heads to be adjusted for installation on the side or top of the housing. This provides for maximum flexibility during installation.

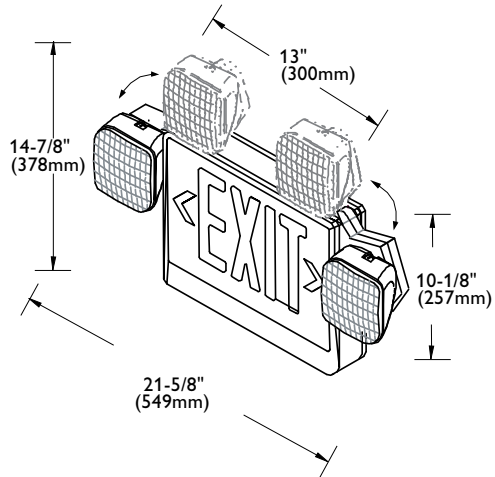
**Accessories**

**WG5** – Wire guard

**Note:**

All combos are universal (single face with an extra stencil face plate) Refer to CA-51200 for matching remote lampheads.


## dimensions



©2012 Philips Day-Brite  
All rights reserved.

776 South Green Street • Tupelo, MS 38804  
p. 800.234.1890 • f. 662.841.5501 • [www.daybrite.com](http://www.daybrite.com)  
Canadian Division  
189 Bullock Drive • Markham, Ontario L3P 1W4  
p. 905.294.9570 • f. 905.294.9811

Contact Factory for Additional Configurations.  
Specifications are subject to change without notice.  
Consult website for latest version of this spec sheet.

 Some luminaires use fluorescent or high intensity discharge (HID) lamps that contain small amounts of mercury. Such lamps are labeled, "Contain Mercury" and/or the symbol "HG". Lamps that contain mercury must be disposed of in accordance with local requirements. Information regarding lamp recycling and disposal can be found at [www.lamprecycle.org](http://www.lamprecycle.org)