

Big Bite-Saddle Type Connectors with Insulated Throat

For Armored Cable, Metal Clad and Flexible Metallic Conduit

Application:

To connect Flex, AC and MC cables to a box or an enclosure.

Features:

- One piece tubular construction affording extra strength
- Dual gripping saddle clamps
- Saddle clamp rides up & down on screw for ease of installation
- Robertson Head Screws
- Furnished with Insulated Throat

Standard Materials:

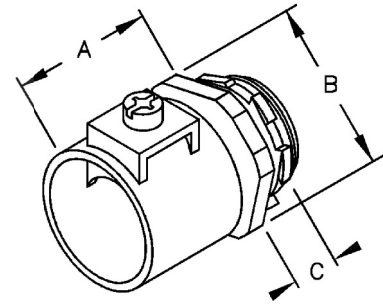
Tubular Steel/Steel Locknut

Standard Finish:

Zinc Plated



TYPE DB50-IC



CATALOG NUMBER	TRADE SIZE	CABLE OPENING MAX	CABLE OPENING MIN	KO SIZE	DIM A	DIM B	DIM C	UNIT PACK	STANDARD PACK	WEIGHT (LBS.) PER 100 PCS.	NAED MFG #78-5994 UPC/DCI #
*DB38-IC	3/8"	0.656	0.437	1/2"	1.188	1.250	0.500	50	500	15	31800
*DB50-IC	1/2"	0.937	0.750	1/2"	1.375	1.250	0.438	25	100	16	31801
*DB75-IC	3/4"	1.125	0.906	3/4"	1.375	1.438	0.438	10	100	17	31802
*DB100-IC	1"	1.468	1.250	1"	1.563	1.813	0.500	5	50	31	31803
DB125-IC	1-1/4"	1.500	1.312	1-1/4"	2.188	2.125	0.625	5	10	53	31804
DB150-IC	1-1/2"	1.750	1.562	1-1/2"	2.438	2.500	0.625	5	10	63	31805
DB200-IC	2"	2.031	1.812	2"	2.563	3.000	0.625	5	10	87	31806
DB250-IC	2-1/2"	3.062	2.812	2-1/2"	2.688	3.625	0.813	1	5	163	31807
DB300-IC	3"	3.562	3.312	3"	2.813	4.250	0.938	1	5	192	31808
DB350-IC	3-1/2"	4.060	3.620	3-1/2"	2.938	4.750	1.000	-	1	225	31809
DB400-IC	4"	4.560	4.120	4"	3.000	5.813	1.031	-	1	263	31810

*Suitable for use on Steel or Aluminum Cables. Also available with aluminum lay-in lugs. See page 75.

UL US **UL Listed:**
 E309514
 3/8" thru 1"
 E198258
 1 1/4" thru 4"

ARMORED CABLES Steel and Aluminum	
3/8"	14/2, 14/3, 14/4, 12/2, 12/3, 12/4, 10/2 .450/.660
1/2"	12/4, 10/2, 10/3, 10/4, 8/2, 8/3, 8/4, 6/2, 6/3 .550/.920
3/4"	Aluminum: 8/3, 8/4, 6/2, 6/3, 6/4, 4/2, 4/3 .680 / 1.075 Steel: 6/4, 4/2, 4/3 .930 / 1.075
1"	6/4, 4/3, 4/4, 3/2, 3/3, 2/3, 2/4, 1/3, 1/4 .930 / 1.468

METAL CLAD CABLES Steel and Aluminum	
3/8"	14/2, 14/3, 14/4, 12/2, 12/3, 12/4, 10/2 .450/.660
1/2"	10/2, 10/3, 10/4, 8/2, 8/3 .640 / .920
3/4"	Aluminum: 6/4, 4/3, 3/3 .930 / 1.075 Steel: 8/3, 8/4, 6/2, 6/3, 6/4, 4/3, 3/3 .730 / 1.075
1"	6/4, 4/3, 4/4, 3/3, 3/4 .960 / 1.468