

# EASY-TWIST™ Push-In Wire Connectors PIWC SERIES



Example: (100) (10X100) =  
100 in standard package,  
1000 in standard carton.

## FEATURES

- Fast, safe and reliable installation saves time and money.
- No twisting or taping of conductors required.
- Just strip the wire, insert the connector and you are done.
- One wire per opening ensures loose connections are eliminated.
- Made of strong, UL 94V-2 flame retardant polycarbonate.
- Integrated test port enables continuity testing.
- Color coded for easy identification.
- Compact design perfect for tight spaces.
- Copper, tin-plated; stainless steel spring; steel frame, zinc-plated.
- For use with 22-12 AWG solid or stranded wire.

## RATINGS



UL 486C Listed Wire Connector.

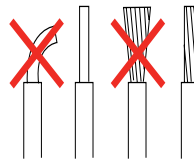
**TEMPERATURE RATING:**  
-40 °F to 221 °F (-30 °C to 105 °C).

**VOLTAGE:**  
600V max., 1,000V max. in fixtures and signs.

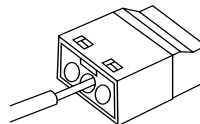


COLOR / TYPE	NO. OF PORTS	WIRE RANGE
Yellow	2	22-12 AWG
Orange	3	22-12 AWG
Clear	4	22-12 AWG
Blue	5	22-12 AWG
Purple	6	22-12 AWG
Grey	8	22-12 AWG

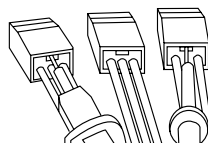
## INSTALLATION



1. Turn off power. Strip wire approximately 0.45 inches (11mm).



2. Push the stripped conductor into the port of connector fully. No twisting or taping.



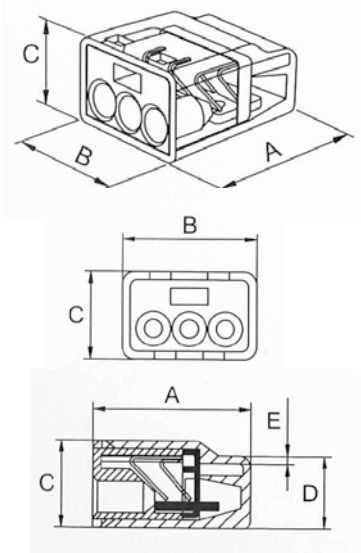
3. Use a voltage meter to test your connection via the port on connector.



Scan QR code for mobile access to wire combinations.



MAX VOLTAGE	WIRE RANGE		CARTON	BAG
	MIN.	MAX.		
600V	2 #22 AWG	2 #12 AWG	<b>PIWC -2-C</b> (100) (10x100)	<b>PIWC-2-B</b> (500) (14x500)
600V	2 #22 AWG	3 #12 AWG	<b>PIWC -3-C</b> (100) (10x100)	<b>PIWC-3-B</b> (500) (11x500)
600V	2 #22 AWG	4 #12 AWG	<b>PIWC -4-C</b> (75) (10x75)	<b>PIWC-4-B</b> (400) (11x400)
600V	2 #22 AWG	5 #12 AWG	<b>PIWC -5-C</b> (50) (10x50)	<b>PIWC-5-B</b> (300) (12x300)
600V	2 #22 AWG	6 #12 AWG	<b>PIWC -6-C</b> (50) (10x50)	<b>PIWC-6-B</b> (250) (12x250)
600V	2 #22 AWG	8 #12 AWG	<b>PIWC -8-C</b> (40) (10x40)	<b>PIWC-8-B</b> (200) (12x200)



All Dimensional Data is listed in inches.

COLOR	DEPTH (A)	WIDTH (B)	FRONT HEIGHT (C)	REAR HEIGHT (D)	CASE THICKNESS (E)
Yellow	0.748	0.463	0.411	0.343	0.035
Orange	0.748	0.626	0.411	0.343	0.035
Clear	0.748	0.789	0.411	0.343	0.035
Blue	0.748	0.953	0.411	0.343	0.035
Purple	0.748	1.116	0.411	0.343	0.035
Black	0.748	1.443	0.411	0.343	0.035