



QO Load Center, Page 1-5



Homeline Load Center, Page 1-10



Combination Service Entrance Devices, Page 1-18

QO® Miniature Circuit Breakers 1-2

QO® Plug-On Circuit Breakers	1-2
Accessories	1-4

QO® Load Centers 1-5

Indoor-1Ø, Main Lug	1-5
Indoor, 1Ø Main Circuit Breaker	1-6
Rainproof 1Ø, Main Lugs, Main Circuit Breaker	1-7
3Ø, Main Lugs, Main Circuit Breaker	1-8
<i>New!</i> Special Applications	1-9
QO Load Center Accessories	1-11

QO® and Homeline® Load Centers 1-10

Load Center Value Pack	1-10
------------------------	------

Load Center Accessories 1-11

QO Load Center Accessories	1-11
QO® and Homeline® Accessories and Voltage testers	1-12

Homeline® Circuit Breakers 1-13

Homeline® Load Centers 1-14

Indoor, 1Ø, Main Lug, Main Circuit Breaker	1-14
Rainproof, 1Ø, Main Lug, Main Circuit Breakers	1-15

QO® and Homeline® Load Centers 1-16

Indoor Load Centers—Dimensions, Knockouts	1-16
Rainproof—Dimensions, Knockouts, Bolt-on Hubs	1-17

Combination Service Entrance Devices 1-18

Meter Mains, Rainproof	1-18
All-In-Ones, Rainproof	1-19
Circuit Breakers, Accessories, Hubs	1-20
Dimensions	1-21

Enclosed Devices 1-22

Air Conditioning Disconnects 1-23

Servicepak® Power Outlet Panels 1-24





Square D brand QO® miniature circuit breakers are plug-on products for use in QO load centers, NQOD panelboards, NQOD OEM interiors or Speed-D® switchboard distribution panels. Bolt-on QOB circuit breakers are for use in NQOD panelboards or interiors.▲

The Square D exclusive Qwik-Open® mechanism, with a trip reaction within 1/60th of a second, is standard on all 1P 15A and 20 A circuit breakers.

LOAD CENTERS

QO 1P



1 Space Required

QOT 1P Tandem



1 Space Required

QO 2P



2 Spaces Required

QO2200 2P 200 A



4 Spaces Required

QO 3P



3 Spaces Required

Table 1.1: Plug-On Circuit Breakers

Table with columns: Amperes Rating, 1P-120/240 Vac, 2P-120/240 Vac Common Trip, 2P-240 Vac Common Trip, 3P-240 Vac Common Trip. Rows include 10 k AIR, 22 k AIR, 42 k AIR, and 65 k AIR.

Table 1.2: QO/QOB Ring Terminal

Table with columns: Ampere Rating, Poles, Suffix. Rows include 10-30 A, 35-60 A, 70-110 A, 60-100 A.

Table 1.3: Wire Sizes

Table with columns: Circuit Breaker Type, Ampere Rating, Wire Size (AWG/kcmil). Rows include QO 1P, QO 2P, QO 3P, QOB-VH, QOT, QO-AFI, QO-GFI & QO-EPD, QO-PL.

Table 1.4: QOT Tandem Circuit Breakers

Table with columns: Ampere Rating, Cat. No., \$ Price. Rows include 1P-120/240 Vac and 2P-120/240 Vac Common Trip.

Order two QOT1515 or QOT2020 circuit breakers and handle tie QOTHT for common switching of center two poles.

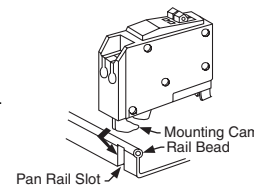
Table 1.5: Replacement Tandem Circuit Breakers

Table with columns: Ampere Rating, Cat. No., \$ Price. Rows include 1P-120/240 Vac-1 Space Required and Two 1P Individual Trip-120/240 Vac-2 Spaces Required.

- ▲ See Digest Section 1 for load centers, and Section 9 for panelboards and interiors.
■ 10-30 A circuit breakers are suitable for use with 60°C or 75°C conductors.
◆ UL Listed 5 k AIR on corner grounded Delta systems.
★ UL Listed as HACR type for use with air conditioning, heating and refrigeration equipment...
▼ UL Listed as SWD (switching duty) rated. Suitable for switching 120 Vac fluorescent lighting loads.
△ Requires four spaces (1 AWG-300 kcmil Al/Cu). Suitable for switching 120 Vac fluorescent lighting loads.
□ UL Listed for use ahead of QO, QO-GFI, QO-EPD, QOT, and QO-PL 10 k AIR circuit breakers...
◇ 100 A maximum branch mounted opposite.
★ Order only. Contact your local Field Office.
▼ Includes two circuit breakers (one QO2030 and one QO3020) and handle tie QOTHT.
● Not suitable for use in 3Ø panels. Use only in 1Ø panel rated 150 A or greater.

Interrupting Ratings Page 7-2
Accessories Page 7-12
Dimensions Page 7-53

QOT Tandem



Current limiting QOT tandem circuit breakers have a mounting cam as shown. Installation into a QO load center can only be made in those positions having a mounting pan rail slot. Meets Paragraph 408.15 of the NEC® UL Listed as Class CTL



QO[®] Arc-Fault Circuit Breaker

QO arc-fault circuit breakers provide branch feeder protection (i.e. QO115AFI) or combination protection (i.e. QO115CAFI) as required by the NEC and local code adoption, and comply with UL1699.

Table 1.6: QO Arc Fault Circuit Breakers

Circuit Breaker Type	Ampere Rating	1P 120 Vac		1P 120 Vac	
		10 k AIR		22 k AIR	
		1 Space Required		1 Space Required	
		Cat. No.	\$ Price	Cat. No.	\$ Price
Branch Feeder Arc-fault Interrupter	15	QO115AFI	160.00	QO115VHAFI	315.00
	20	QO120AFI	160.00	QO120VHAFI	315.00
Combination Arc-fault Interrupter	15	QO115CAFI	188.00	QO115VHCAFI	356.00
	20	QO120CAFI	188.00	QO120VHCAFI	356.00



QO-GFI

Qwik-Gard[®] circuit breakers provide overload and short circuit protection, combined with Class A ground fault protection. Class A denotes a ground fault circuit interrupter that will trip when a fault current to ground is 6 mA or more, for people protection. Do not connect to more than 250 feet of load conductor for the total one-way run to prevent nuisance tripping.



Table 1.7: QO-GFI Circuit Breakers

Ampere Rating	Qwik-Gard Circuit Breakers With Ground Fault Circuit Interrupter					
	1P 120 Vac			2P Common Trip 120/240 Vac		
	10 k AIR		22 k AIR		10 k AIR	
	1 Space Required		1 Space Required		2 Spaces Required	
	Cat. No.	\$ Price	Cat. No.	\$ Price	Cat. No.	\$ Price
15	QO115GFI	155.00	QO115VHGFI	321.00	QO215GFI	275.00
20	QO120GFI	155.00	QO120VHGFI	321.00	QO220GFI	275.00
25	QO125GFI	155.00	QO125VHGFI	321.00	QO225GFI	275.00
30	QO130GFI	155.00	QO130VHGFI	321.00	QO230GFI	275.00
40	—	—	—	—	QO240GFI	275.00
50	—	—	—	—	QO250GFI	275.00
60	—	—	—	—	QO260GFI★	275.00



QO-EPD

QO-EPD circuit breakers provide overload and short circuit protection combined with Class B ground fault protection. They are designed to provide ground fault protection of equipment at a 30 milliampere level. They are not designed to protect people from electrical shock.



Table 1.8: QO-EPD Circuit Breakers

Ampere Rating	1P 120 Vac		2P Common Trip 120/240 Vac	
	10 k AIR		10 k AIR	
	1 Space Required		2 Spaces Required	
	Cat. No.	\$ Price	Cat. No.	\$ Price
15	QO115EPD	273.00	QO215EPD	440.00
20	QO120EPD	273.00	QO220EPD	440.00
25	QO125EPD	273.00	QO225EPD	440.00
30	QO130EPD	273.00	QO230EPD	440.00
40	—	—	QO240EPD	440.00
50	—	—	QO250EPD	440.00
60	—	—	QO260EPD★	440.00



QO-SWN

Switch Neutral Common Trip 2002 NEC[®] 514.11

Table 1.9: QO-SWN Circuit Breakers

Ampere Rating	2 Wire 120 Vac		3 Wire 120/240 Vac	
	10 k AIR		10 k AIR	
	2 Spaces Required		3 Spaces Required	
	Cat. No.	\$ Price	Cat. No.	\$ Price
10	QO210SWN	63.00	QO310SWN	95.00
15	QO215SWN	63.00	QO315SWN	95.00
20	QO220SWN	63.00	QO320SWN	95.00
25	QO225SWN	63.00	QO325SWN	95.00
30	QO230SWN	63.00	QO330SWN	95.00
40	QO240SWN	63.00	QO340SWN	95.00
50	QO250SWN	63.00	QO350SWN	95.00



QO-HID

HID circuit breakers are for use on circuits feeding fluorescent and high intensity discharge (HID) lighting systems such as mercury vapor, metal halide, or high pressure sodium. These circuit breakers are physically interchangeable with QO circuit breakers.

Table 1.10: QO-HID Circuit Breakers

Ampere Rating	1P 120/240 Vac		2P Common Trip 120/240 Vac		3P Common Trip 240 Vac	
	10 k AIR		10 k AIR		10 k AIR	
	1 Space Required		2 Spaces Required		3 Spaces Required	
	Cat. No.	\$ Price	Cat. No.	\$ Price	Cat. No.	\$ Price
15	QO115HID	25.40	QO215HID	58.00	QO315HID	200.00
20	QO120HID	25.40	QO220HID	58.00	QO320HID	200.00
25	QO125HID	25.40	QO225HID	58.00	QO325HID	200.00
30	QO130HID	25.40	QO230HID	58.00	QO330HID	200.00
40	QO140HID	25.40	QO240HID	58.00	—	—
50	QO150HID	25.40	QO250HID	58.00	—	—

QO-K

Key operated QO circuit breakers are available in single-pole construction and can be mounted in any single-pole space which will accept a standard QO. These circuit breakers can be turned ON or OFF or to RESET with a special key (catalog number QOK10) included with the circuit breaker. These circuit breakers are UL Listed and available as shown in the table.

Table 1.11: QO-K Circuit Breakers

120 Vac—10 k AIR (1 Space Required)		
Ampere Rating	Cat. No.	\$ Price
10	QO110K	109.00
15	QO115K	109.00
20	QO120K	109.00
25	QO125K	109.00
30	QO130K	109.00

QO-HM

High magnetic trip circuit breakers are recommended for applications where high initial inrush may occur and for individual dimmer applications.

Table 1.12: QO-HM Circuit Breakers

Ampere Rating	1P	
	Cat. No.	\$ Price
120 Vac—10 k AIR		
15 A	QO115HM	20.40
20 A	QO120HM	20.40

Non-automatic (Standard) Miniature Switches

Miniature non-automatic switches have the same physical packaging as miniature circuit breakers, but open only when the handle is switched to the OFF position.

Non-automatic switches provide no overcurrent protection or short circuit protection. They must not be used on systems that have an available fault current greater than the values listed in the table.

Non-automatic switches are UL Listed per UL 1087 and are CSA certified.

Table 1.13: QO Non-Automatic Miniature Switches, 240 Vac 10 kA

Ampere Rating	2P		3P	
	Cat. No.	\$ Price	Cat. No.	\$ Price
60	QO200	46.90	QO300	165.00
100	QO2000	133.00	QO3000	244.00

- ▲ UL Listed as HACR type for use with air conditioning, heating and refrigeration equipment having motor group combinations and marked for use with HACR type circuit breakers.
- UL Listed as SWD (switching duty) rated. Suitable for switching 120 Vac fluorescent lighting loads.
- ◆ 10–30 A circuit breakers are suitable for use with 60°C or 75°C conductors. 35–60 A circuit breakers are suitable for use with 75°C conductors.
- ★ Suitable only for feeding 240 Vac and 208 Vac loads. Does not contain load neutral connection.

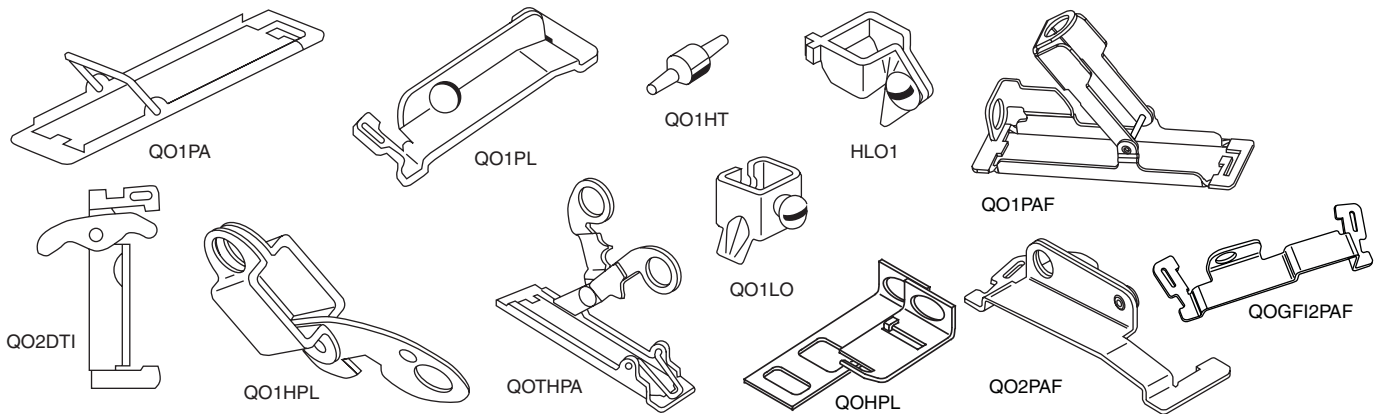
Interrupting Ratings Page 7-2
Accessories Page 7-12
Dimensions Page 7-53

LOAD CENTERS

Table 1.14: Accessories for Use with QO and QOB Miniature Circuit Breakers

Description	Cat. No.	\$ Price	Schedule	
Handle Attachments				
Handle Tie:	Converts any two adjacent 120/240 Vac 1P QO circuit breakers to independent trip 2P Converts any two adjacent 120/240 Vac 1P side-by-side QOT circuit breakers to independent trip 2P	QO1HT QOTHT	2.50 2.50	DE2E DE2E
Handle Clamp:	Clamp for holding QO 1P handle in ON or OFF position Clamp for holding QO or Q1 either 1P, 2P or 3P circuit breaker handles in ON or OFF position	QO1LO HLO1	2.50 6.60	DE2E DE2E
Handle Padlock Attachment: for Padlocking in ON or OFF position	For padlocking 1P QO circuit breaker in ON or OFF position Loose attachment Fixed attachment For padlocking 1P side-by-side QOT circuit breaker in ON or OFF position For padlocking 2P QO-GFI circuit breakers in either ON or OFF position, fixed attachment. For 2P and 3P QO and Q1 standard circuit breakers which require padlocking in either ON or OFF position. Loose attachment Fixed attachment	QOHPL QO1PA QOTHPA GFI2PA QO1HPL QO1PL	6.30 7.10 7.40 6.10 7.10 7.10	DE2E DE2E DE2E DE2A DE2E DE2E
Handle Padlock Attachment: for Padlocking in OFF position	For padlocking 1P QO circuit breaker in OFF position only, fixed attachment. For padlocking 2P and 3P QO circuit breakers in OFF position only, fixed attachment. For padlocking 1P QO-GFI, QO-AFI and QO-EPD circuit breakers in OFF position only, fixed attachment. For padlocking 2P QO-GFI and QO-EPD circuit breakers in OFF position only, fixed attachment.	QO1PAF QO2PAF QOGFI1PAF QOGFI2PAF	29.00 17.20 34.00 25.60	DE2E DE2E DE2E DE2E
Ring Terminal	Ring terminals are available as a factory-installed option.	See page 7-10	+20% Price Adder	DE2A
Sub-feed Lugs	60 A 2P plug-on – 2 spaces required (6–2 Al/Cu) 125 A 2P plug-on – 2 spaces required (12–2/0 Al/Cu) 225 A 2P plug-on – 4 spaces required (4–300 Al/Cu) 125 A 3P plug-on – 3 spaces required (12–2/0 Al/Cu)	QO60SL QO2125SL QO2225SL▲ QO3125SL	31.40 91.00 205.00 91.00	DE2A DE2A DE2A DE3
Mechanical Interlock Attachment	For interlocking the handles of two 2P or one 2P and one 1P QO and Q1 circuit breakers mounted side-by-side so that only one circuit breaker can be ON at a time (Not QOU)	QO2DTI	16.60	DE2E
With Retaining Kit:	QO2DTI mechanical interlock attachment with retaining kits for securing two adjacent back-fed circuit breakers in dual power supply applications. Can be used with (2) 2Ps or (1) 2P and (1) 1P QO circuit breakers in QO816L100 load centers.	QO2DTIM	42.00	DE2E

▲ Not suitable for use in 3Ø panels. Use only in 1Ø panel rated 150 A or greater.



Factory-Installed Accessories for Use with QO and QOB Miniature Circuit Breakers

Factory-installed electrical accessories take up an additional pole space on QO®, QO-GFI, QO-EPD, QO-SWN and QOU circuit breakers. All AC electrical accessories shown below are rated for 50/60 Hz. Accessories are not available for QOB-VH (2P 150 A and 3P 110–150 A) circuit breakers or QO, QOU molded case switches. QO circuit breakers will accept only one accessory per circuit breaker. Undervoltage trip is not available on miniature circuit breakers. Factory-installed accessories are not available for QO-AFI or QO-CAFI Arc Fault Circuit Breakers or on QO2150, QO2175, or QO2200 circuit breakers.

Table 1.15: Factory-Installed Accessories

Accessory	Description	Rated Voltage	Coil Burden	Cat. No. Suffix	\$ Price Adder	Accessory	Description	Contact Comb.	Max. Voltage	Max. Load	Cat. No. Suffix	\$ Price Adder
Shunt Trip	Trips the circuit breaker from a remote location by means of a trip coil energized from a separate circuit. A 120 Vac shunt trip will operate at 55% or more of rated voltage. All other shunt trips will operate at 75% or more of rated voltage. Application • For use with momentary or maintained push button. • Not available on QO-GFI, QO-EPD. • Shunt trip terminals accept (2) .14–.12 AWG Cu.	12 Vac/Vdc	60 VA	-1042	126.00	Auxiliary Switches	Monitors circuit breaker contact status and provides a remote signal indicating the circuit breaker contacts are OPEN or CLOSED. Application • Auxiliary switch terminals accept (2) 14–12 AWG Cu leads. • Leads (EH): Yellow for "A", Blue for "B", Striped common 18 AWG Cu.	1A 1B	120 Vac 120 Vac	5 A 5 A	-1200 -1201	88.00 88.00
		24 Vac/Vdc	168 VA									
		120 Vac 208 Vac 240 Vac	72 VA 228 VA 288 VA	-1021	126.00							
						Alarm Switches	Used with control circuits and is actuated only when the circuit breaker has tripped. Standard construction includes a normally-open contact. Application • Leads: Alarm switch terminals accept (2) 14–12 AWG Cu leads.	1A	120 Vac	5 A	-2100	88.00

1Ø3W—120/240 Vac—UL Listed

Table 1.18: Indoor Main Circuit Breaker (Order QO, QOT, QO-EPD, QO-GFI, QO-AFI and QO-PL branch circuit breakers from pages 1-2 and 1-3.)

Mains Rating	Spaces	Max. Single Pole Circuits▲	Max. Tandem Circuit Breakers	\$ Price (Interior, Box & Cover)	Load Center Box and Interior		Indoor Cover with Door (Order Separately)			Main Wire Size AWG/kcmil Al or Cu	Equipment Ground Bar Kit (Order Separately)		Box No. See Page 1-16
					Cat. No.	\$ Price	Flush Cat. No.	Surface Cat. No.	\$ Price		Cat. No.	\$ Price	
Convertible Mains —Factory-installed Main Circuit Breaker, 22 kA Short Circuit Current Rating, Convertible to Main Lugs (see below) or Lower Amperage Main Circuit Breaker (See page 1-5),■													
QOM1 Main Circuit Breaker Frame Size—Copper Bus													
100 A	12	12	0	226.10	QO112M100	201.00	QOC12UF	QOC12US	25.10	6-1	PK9GTA	8.90	5
	16	16	0	253.10	QO116M100	228.00	QOC20U100F	QOC20U100S	25.10		PK12GTA	10.50	6
	20	20	0	289.10	QO120M100	264.00	QOC20U100F	QOC20U100S	25.10		PK15GTA	11.40	6
	24	24	0	369.10	QO124M100	344.00	QOC24US	QOC24US	25.10	6-2/0	PK15GTA	11.40	7
32	32	0	484.10	QO132M100	459.00	QOC32UF	Use Flush	26.40	PK18GTA		12.50	8	
125 A	24	24	0	546.10	QO124M125	521.00	QOC24UF	QOC24US	25.10	6-2/0	PK15GTA	11.40	7
	32	32	0	694.40	QO132M125	668.00	QOC32UF	Use Flush	26.40		PK18GTA	12.50	8
Convertible Mains —Factory-installed Main Circuit Breaker, 22 kA Short Circuit Current Rating, Convertible to Main Lugs (see below) or Lower Amperage Main Circuit Breaker (See page 1-5),■													
QOM2 Main Circuit Breaker Frame Size—Copper Bus													
150 A	20	30	10	547.00	QO12030M150	489.00	QOC30UF	QOC30US	58.00	4-250	PK18GTA	12.50	9
	24	24	0	566.00	QO124M150	508.00	QOC30UF	QOC30US	58.00		PK15GTA	11.40	9
	30	30	0	569.00	QO130M150	511.00	QOC30UF	QOC30US	58.00		PK18GTA	12.50	9
	32	32	0	646.00	QO132M150	588.00	QOC40UF	QOC40US	58.00		PK18GTA	12.50	10
200 A	20	40	20	547.00	QO12040M200	489.00	QOC30UF	QOC30US	58.00	4-250	PK23GTA	14.20	9
	24	24	0	577.00	QO124M200	519.00	QOC30UF	QOC30US	58.00		PK15GTA	11.40	9
	30	30	0	586.00	QO130M200	528.00	QOC30UF	QOC30US	58.00		PK18GTA	12.50	9
	30	40	10	638.00	QO13040M200	580.00	QOC30UF	QOC30US	58.00		PK23GTA	14.20	9
	40	40	0	747.00	QO140M200	689.00	QOC40UF	QOC40US	58.00		PK23GTA	14.20	10
225 A	42	42	0	813.00	QO142M200	739.00	QOC42UF	QOC42US	74.00	4-300	PK23GTA	14.20	11
	40	40	0	797.00	QO140M225	723.00	QOC42UF	QOC42US	74.00		PK23GTA	14.20	11
	42	42	0	835.00	QO142M225	761.00	QOC42UF	QOC42US	74.00		PK23GTA	14.20	11
Fixed Mains—Factory-installed LAL Main Circuit Breaker, 42 kA Short Circuit Current Rating◆													
300 A	42	42	0	4686.00	QON42MS300 (int)★	4107.00	MHC68VF	MHC68VS	504.00	(1) 4-500 or (2) 4-3/0	PK27GTA▼	22.50	16
					MH68 (box)△	75.00							
400 A	42	42	0	4686.00	QON42MS400 (int)★	4107.00	MHC68VF	MHC68VS	504.00	(1) 4-600 or (2) 4-250	PK15GTA6	35.50	16
					MH68 (box)△	75.00							

Above listings through 200 A mains rating meet Federal Specification W-P-115c as Type 1, Class 2.

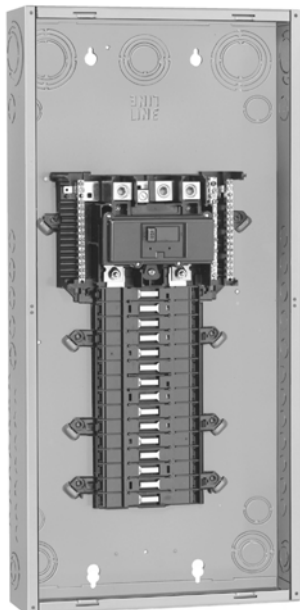
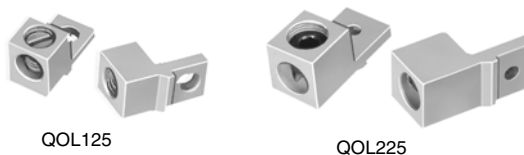
- ▲ Maximum single pole branch circuits utilizing QO and/or QOT circuit breakers.
- 22 k AIR main circuit breaker UL Listed for use ahead of QO, QOT and QO-PL 10 k AIR branch circuit breakers to permit their application on systems with up to 22 kA available fault current.
- ◆ UL short circuit current rating depends on lowest interrupting rating of circuit breakers installed. Also, UL Listed 5000 A short circuit current for corner grounded Delta systems. Use QO-H circuit breakers only.
- ★ Interior only, order box separately.
- ▼ PK27GTA includes a 6-2/0 Al/Cu lug.
- △ PE1A Discount Schedule

Main Lug Kits

Table 1.19: Field-installable Main Lugs (Convertible Load Centers Only)

Main Lug Rating□	Use On Convertible Load Center With Mains Rating	Cat. No.	\$ Price	Lug Wire Size◇ AWG/kcmil Al or Cu
125 A	100-125 A	QOL125★	29.40	6-2/0
225 A	150-225 A	QOL225★	69.00	6-300

- Do not exceed the load center mains rating.
- ◇ Wire range listed for QOL lug kits is the wire range of that lug. To find out maximum wire size permitted in a particular load center per UL, see pages 1-5 through 1-10 under main wire size.
- ★ If main circuit breaker knockout has been removed from the load center's trim, order appropriate filler plate from page 1-12.



QO130M150

1Ø3W—120/240 Vac—UL Listed

Table 1.20: Main Lugs (Order QO, QOT, QO-GFI, QO-EPD, QO-AFI and QO-PL branch circuit breakers from pages 1-2 and 1-3.)

Mains Rating	Spaces	Max. Single Pole Circuits▲	Max. Tandem Circuit Breakers	\$ Price (Interior, Box and Cover)	Load Center Box and Interior		Main Wire Size AWG/kcmil		Equipment Ground Bar Kit (Order Separately)		Box No. See Page 1-17
					Cat. No.	\$ Price	Al	Cu	Cat. No.	\$ Price	
Non-Metallic Enclosure											
Fixed Mains—Factory-installed Main Lugs—10 kA Short Circuit Current Rating											
60 A	2	4	2	68.00	QO24L60NRNM	68.00	14-4	14-4	Factory-installed	—	1NM
Metallic Enclosure											
Fixed Mains—Factory-installed Main Lugs—10 kA Short Circuit Current Rating											
40 A	2	2	0	75.00	QO2L40RB■	75.00	12-6	14-6	PK3GTA1	7.60	1R
70 A	2	4	2	87.00	QO24L70RB■	87.00	12-3	14-4	PK4GTA	7.20	1R
100 A	6	12	6	95.00	QO612L100RB◆	95.00	8-1	105.00	PK7GTA	7.80	2R
	6	12	6	105.00	QO612L100TRB◆	105.00			Factory-installed	—	2R
100 A	8	16	8	154.00	QO816L100RB◆	154.00	8-1	116.00	PK7GTA	7.80	2R
	6	12	6	116.00	QO612L100RBCU◆★	116.00			PK7GTA	7.80	2R
100 A	8	16	8	186.00	QO816L100RBCU◆★	186.00	8-1	186.00	PK7GTA	7.80	2R
125 A	4	8	4	101.00	QO148L125GRB★	101.00	12-2/0	14-2/0	PK7GTA Factory-included	—	15R
Convertible Mains—Factory-installed Main Lugs—65 kA Short Circuit Current▼△□											
QOM1 Main Frame Size—Convertible to Main Circuit Breaker—Copper Bus											
125 A	12	12	0	190.00	QO112L125GRB	190.00	6-2/0	243.00	PK9GTA Factory-included	—	3R
	12	24	12	243.00	QO11224L125GRB	243.00			PK15GTA Factory-included	—	3R
	16	24	8	290.00	QO11624L125GRB	290.00			PK15GTA Factory-included	—	4R
	24	24	0	348.00	QO124L125GRB	348.00			PK15GTA Factory-included	—	4R
Convertible Mains—Factory-installed Main Lugs—65 kA Short Circuit Current▼△□											
QOM2 Main Frame Size—Convertible to Main Circuit Breaker—Copper Bus											
150 A	30	30	0	391.00	QO130L150GRB	391.00	6-250	444.00	PK23GTA & LK100AN Factory-included	—	6R
200 A	12	12	0	320.00	QO112L200GRB	320.00	6-250	476.00	PK9GTA Factory-included	—	5R
	30	30	0	444.00	QO130L200GRB	444.00			PK23GTA & LK100AN Factory-included	—	6R
	30	40	10	476.00	QO13040L200GRB	476.00			PK23GTA & LK100AN Factory-included	—	6R
	40	40	0	647.00	QO140L200GRB	647.00			PK23GTA & LK100AN Factory-included	—	7R
225 A	42	42	0	873.00	QO142L225GRB	873.00	6-300	873.00	PK23GTA & LK100AN Factory-included	—	8R

1Ø3W—120/240 Vac—UL Listed

Table 1.21: Main Circuit Breaker Order QO, QOT, QO-GFI, QO-AFI, QO-EPD and QO-PL branch circuit breakers from pages 1-2 and 1-3.

Mains Rating	Spaces	Max. Single Pole Circuits▲	Max. Tandem Circuit Breakers	\$ Price (Interior, Box and Cover)	Load Center Box and Interior		Main Wire Size AWG/kcmil Al or Cu	Equipment Ground Bar Kit (Order Separately)		Box No. See Page 1-17	
					Cat. No.	\$ Price		Cat. No.	\$ Price		
Convertible Mains —Factory-installed Main Circuit Breaker, 22 kA Short Circuit Current Rating											
—Convertible to Main Lugs (see page 1-6) or Lower Amperage Main Circuit Breaker (see page 1-5)◇□											
QOM1 Main Circuit Breaker Frame Size—Copper Bus											
100 A	12	12	0	307.00	QO112M100RB	307.00	6-2/0	636.00	PK9GTA	8.90	3R
	16	16	0	336.00	QO116M100RB	336.00			PK12GTA	10.50	4R
	20	20	0	368.00	QO120M100RB	368.00			PK15GTA	11.40	4R
125 A	24	24	0	636.00	QO124M125RB	636.00	6-2/0	636.00	PK15GTA	11.40	4R
Convertible Mains —Factory-installed Main Circuit Breaker, 22 kA Short Circuit Current Rating											
—Convertible to Main Lugs (see page 1-6) or Lower Amperage Main Circuit Breaker (see page 1-5)◇□											
QOM2 Main Circuit Breaker Frame Size—Copper Bus											
150 A	20	30	10	635.00	QO12030M150RB	635.00	4-250	748.00	PK18GTA	12.50	5R
	30	30	0	748.00	QO130M150RB	748.00			PK18GTA	12.50	6R
200 A	20	40	20	636.00	QO12040M200RB	636.00	4-250	931.00	PK23GTA	14.20	5R
	30	30	0	769.00	QO130M200RB	769.00			PK18GTA	12.50	6R
	40	40	0	931.00	QO140M200RB	931.00			PK23GTA	14.20	7R
225 A	42	42	0	1087.00	QO142M225RB	1087.00	4-300	1087.00	PK23GTA	14.20	8R
QOM1/QOM2 Feed-Thru Main Circuit Breaker With Feed-Thru Lugs—Copper Bus, 22 kA Short Circuit Current Rating ◇											
125 A	6	12	6	413.00	QO1612M125FTRB★	413.00	4-2/0	413.00	PK12GTA	10.50	3R
150 A	8	16	8	575.00	QO1816M150FTRB★	575.00	4-250	575.00	PK15GTA-L	23.30	6R
200 A	8	16	8	575.00	QO1816M200FTRB★	575.00	4-250	575.00	PK15GTA-L	23.30	6R

Above listings through 200 A mains rating meet Federal Specification W-P-115c as Type 1, Class 2.

- ▲ Maximum single pole branch circuits utilizing QO and/or QOT circuit breakers.
- Use 10 AWG maximum size wire for GFI circuit breaker.
- ◆ 70 A max. branch circuit breaker and 70 A max. back fed main circuit breaker.
- ★ Copper bus.
- ▼ UL short circuit current rating depends on lowest interrupting rating of circuit breakers installed.
- △ UL Listed 5000 A short circuit current rating for corner grounded Delta systems. Use QO-H circuit breakers only.
- ◇ Side hinge door device; allow 1-1/4 in. on left side for door to open.
- 22 k AIR main circuit breaker UL Listed for use ahead of QO, QOT, QO-GFI, QO-AFI, QO-EPD and QOPL 10 k AIR branch circuit breakers to permit their application on systems up to 22 kA available fault current.
- ☆ QO1612M125FTRB provided with QOM1 frame main circuit breaker. QO1816M150FTRB and QO1816M200FTRB provided with QOM2 frame main circuit breaker.

Table 1.22: 3Ø4W 208Y/120 Vac, 3Ø4W 240/120 Vac Delta and 3Ø3W 240 Vac Delta, UL Listed.

(Order QO, QO-GFI, QO-AFI, QO-PL branch circuit breakers from pages 1-2 and 1-3.)

Mains Rating	Max. Number of 1P QO circuit breakers	\$ Price (Interior, Box and Cover)	Load Center Box and Interior		Indoor Cover with Door (Order Separately)			Main Wire Size AWG/kcmil		Equipment Ground Bar Kit (Order Separately)		Box No. See Pages 1-16, 1-17
			Cat. No.	\$ Price	Flush Cat. No.	Surface Cat. No.	\$ Price	Al	Cu	Cat. No.	\$ Price▽	
Fixed Mains—Factory-installed Main Lugs—Copper Bus—65 kA Short Circuit Current Rating ▲												
60 A	3	71.00	QO403L60NF/S	71.00	Cover Included With Load Center			—	10-6	PK4GTA	7.20	13
125 A	12	246.10	QO312L125G◇	221.00	QOC16UF	QOC16US	25.10☆	6-2/0	6-2/0	Factory-incl.□	—	6
	20	339.10	QO320L125G◇	314.00	QOC24UF	QOC24US	25.10☆			Factory-incl.□	—	7
	24	385.10	QO324L125G◇	360.00	QOC24UF	QOC24US	25.10☆			Factory-incl.□	—	7
200 A	18	353.00	QO318L200G◇	295.00	QOC30UF	QOC30US	58.00☆	6-250	6-250	Factory-incl.△	—	9
	30	471.00	QO330L200G◇	413.00	QOC30UF	QOC30US	58.00☆			Factory-incl.△	—	9
225 A	42	635.00	QO342L225G◇	561.00	QOC42UF	QOC42US	74.00☆	6-300	6-300	Factory-incl.△	—	11
Convertible Mains—Factory-installed QDL Main Circuit Breaker—Copper Bus—25 kA Short Circuit Current Rating ■												
100 A	27	705.00	QO327M100◆	647.00	QOC30UF	QOC30US	58.00☆	4-2/0	4-2/0	PK15GTA	11.40	9
125 A	30	1287.00	QO330MQ125★◇	1226.00	QOC342MQF	QOC342MQS	61.00	4-300	4-300	PK18GTA	12.50	12
	30	1287.00	QO330MQ150★◇	1226.00	QOC342MQF	QOC342MQS	61.00			PK18GTA	12.50	12
150 A	42	1412.00	QO342MQ150★◇	1351.00	QOC342MQF	QOC342MQS	61.00	4-300	4-300	PK23GTA	14.20	12
	30	1287.00	QO330MQ200★◇	1226.00	QOC342MQF	QOC342MQS	61.00			PK18GTA	12.50	12
200 A	42	1412.00	QO342MQ200★◇	1351.00	QOC342MQF	QOC342MQS	61.00	4-300	4-300	PK23GTA	14.20	12
	30	1287.00	QO330MQ225★◇	1351.00	QOC342MQF	QOC342MQS	61.00			PK23GTA	14.20	12
Fixed Mains—Factory-installed Main Lugs—Copper Bus—65 kA Short Circuit Current Rating ▲▼												
60 A	3	118.00	QO403L60NRB	118.00	Cover Included			—	10-6	PK4GTA	7.20	10R
125 A	12	323.00	QO312L125GRB	323.00				6-2/0	6-2/0	Factory Incl.□	—	3R
	20	419.00	QO320L125GRB	419.00				6-250	6-250	Factory Incl.△	—	4R
200 A	18	412.00	QO318L200GRB	412.00				6-250	6-250	Factory Incl.△	—	6R
	30	559.00	QO330L200GRB	559.00				6-300	6-300	Factory Incl.△	—	6R
225 A	42	996.00	QO342L225GRB	996.00	6-300	6-300	Factory Incl.△	—	8R			
Convertible Mains—Factory-installed QDL Main Circuit Breaker—Copper Bus—25 kA Short Circuit Current Rating ■▼												
100 A	27	790.00	QO327M100RB◆	790.00	Cover Included			4-2/0	4-2/0	PK15GTA	11.40	6R
125 A	30	1431.00	QO330MQ125RB★	1431.00				4-300	4-300	PK18GTA	12.50	14R
	30	1431.00	QO330MQ150RB★	1431.00				4-300	4-300	PK18GTA	12.50	14R
200 A	30	1431.00	QO330MQ200RB★	1431.00				4-300	4-300	PK18GTA	12.50	14R
	42	1555.00	QO342MQ200RB★	1555.00				4-300	4-300	PK23GTA	14.20	14R
225 A	42	1555.00	QO342MQ225RB★	1555.00	4-300	4-300	PK23GTA	14.20	14R			

Above listings through 200 A mains rating meet Federal Specification W-P-115C as Type 1, Class 2.

- ▲ UL short circuit current rating depends on lowest interrupting rating of circuit breaker installed.
- 25 kA short circuit current rating maximum with Square D Type QDL main circuit breaker, or 22 kA SCCR maximum with back-fed Type QO-VH main circuit breaker, feeding QO 10 k AIR branch circuit breakers.
- ◆ Includes factory-installed back fed QO3100VH main circuit breaker.
- ★ 65 kA Short Circuit Current Rating maximum with field-installed Square D type QGL 65 k AIR minimum main circuit breaker feeding QO and Q1 10 k AIR minimum branch circuit breakers.
- ▼ Side hinge door device allow 1-1/4 in. on left side for door to open.
- △ PK23GTA and LK100AN.
- PK15GTA.
- ◇ Certified to IEC 60439-1 for use on 415Y/240 Vac 3Ø4W, 3,000 SCCR when QODX... branch circuit breakers are used and 10,000 SCCR when QO...VS branch circuit breakers are used. CE marked.
- ☆ DE3A Discount Schedule
- ▽ DE2 Discount Schedule

Table 1.23: 3Ø Main Circuit Breakers

Field-installable alternate main circuit breakers for QO 3Ø main circuit breaker load centers rated 70–225 A. Do not exceed the load center main rating.

Amperage	25 k AIR	65 k AIR	100 k AIR○
70 A	QDL32070	QGL32070	QJL32070
80 A	QDL32080	QGL32080	QJL32080
90 A	QDL32090	QGL32090	QJL32090
100 A	QDL32100	QGL32100	QJL32100
110 A	QDL32110	QGL32110	QJL32110
125 A	QDL32125	QGL32125	QJL32125
150 A	QDL32150	QGL32150	QJL32150
175 A	QDL32175	QGL32175	QJL32175
200 A	QDL32200	QGL32200	QJL32200
225 A	QDL32225	QGL32225	QJL32225
\$ Price (DE2)	1189.00	1628.00	1864.00

○ When these 3P circuit breakers are used as the main circuit breaker of a 3Ø load center, the maximum AIR rating is 65 kA at 240 Vac and 100 kA at 208 Vac.

Table 1.24: 3Ø Main Lug Kits

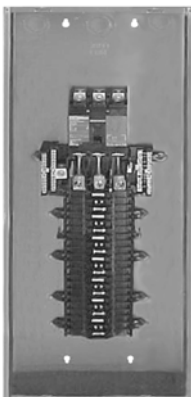
Field-installable main lugs for convertible 3Ø main circuit breaker load centers.

Main Lug Amperage Rating	Cat. No.	\$ Price	Lug Wire Size AWG/kcmil
125 A	QOL3125	44.90	6-2/0 Cu/Al
225 A	QOL3225	105.00	6-300 Cu/Al

LOAD CENTERS

INDOOR

RAIN PROOF



QO342MQ200



QO312L125G

Table 1.25: QO Special Application (Order QO, QOT, QO-EPD, QO-GFI and QO-AFI Branch Circuit Breakers from pages 1-2 and 1-3.)

Mains Rating	Short Circuit Current Rating	Spaces	Max. 1P Circuits ▲	Max. Tandem Circuit Breakers	Load Center ■ Box, Interior, and Cover		Equipment Ground Bar Kit (Order Separately)		Main Wire Size AWG/kcmil		Box No. See Page 1-16
					Cat. No.	\$ Price	Cat. No.	\$ Price	Al	Cu	
Manufactured Housing:											
1Ø2W 120 Vac—Main Lugs Only—CSA Certified											
30 A ♦	10 kA	2	2	0	QO2L30TTS★	33.90	Factory-installed	12-10	14-10	1	
50 A	10 kA	2	4	2	QO24L50TTS▼	52.00		—	14-6	2	
1Ø2W 120 Vac—Main Circuit Breaker—CSA Certified											
30 A	10 kA	3	5	2	QO35FM30TTF/S	55.00	Factory-installed	△		3	
1Ø3W 120/240 Vac—Main Lugs Only—CSA Certified											
70 A	10 kA	2	4	2	QO24L70TS▼	52.00	Factory Installed	12-3	14-4	2	
100 A	10 kA	6	12	6	QO612L100TF/S□	57.00		4-1			4
	10 kA	6	12	6	QO612L100DTF/S□	67.00					4
	10 kA	8	16	8	QO816L100TF/S□	91.00					4
	10 kA	8	16	8	QO816L100DTF/S□	106.00					4
Generator Panel: 1Ø3W 120/240 Vac—Factory-installed Main Circuit Breakers with Mechanical Interlock											
30 A	10 kA	4	8	4	QO48M30DSGP	375.00	PK7GTA	7.80	14-8	14-8	4
60 A	10 kA	4	8	4	QO48M60DSGP	375.00	PK7GTA	7.80	8-2	8-2	4
Generator Panel – Use With Kohler Automatic Transfer Switch ◊—1Ø3W 120/240 Vac—Factory/Field-installed Main Circuit Breaker											
150 A	22 kA	38	42	42	QO13842MX150	899.00	PK23GTA	14.20	4-250	4-250	12
200 A	22 kA	38	42	42	QO13842MX200	999.00	PK23GTA	14.20	4-250	4-250	12
225 A	22 kA	38	42	42	QO13842MX225	1099.00	PK23GTA	14.20	4-250	4-250	12
	22 kA	38	42	42	QO13842UX225 ◊	799.00	PK23GTA	14.20	4-250	4-250	12
					QOC38MXUF (Cover)	99.00					
150 A	22 kA	14	28	28	QO11428MX150FTRB★	899.00	PK23GTA	14.20	4-250	4-250	7R
200 A	22 kA	14	28	28	QO11428MX200FTRB★	999.00	PK23GTA	14.20	4-250	4-250	7R
	22 kA	14	28	28	QO11428UX200FTRB◊★	799.00	PK23GTA	14.20	4-250	4-250	7R
Load Center with Cover: 1Ø3W 120/240 Vac—UL Listed Complete QO Load Center—Box, Interior & Combination Cover in One Package											
Convertible Mains—Factory-Installed Main Lugs ◊★—QOM1 Main Frame Size—Convertible to Main Circuit Breaker (See page 1-5)—Copper Bus											
125 A	65 kA	12	12	0	QO112L125GC	125.00	PK12GTA Incl.		6-2/0		6
	65 kA	12	24	12	QO11224L125GC	166.00	PK15GTA Incl.		6-2/0		6
	65 kA	20	20	0	QO120L125GC	189.00	PK15GTA Incl.		6-2/0		7
Convertible Mains—Factory-Installed Main Lugs ◊★—QOM2 Main Frame Size—Convertible to Main Circuit Breaker (See page 1-5)—Copper Bus											
150 A	65 kA	30	30	0	QO130L150TC	301.00	PK23GTA & LK100AN Installed		6-250		9
200 A	65 kA	30	40	10	QO13040L200GC	383.00	PK23GTA & LK100AN Incl.		6-250		9
Convertible Mains—Factory-Installed Main Circuit Breaker—											
QOM1 Main Frame Size—Convertible to Main Lugs (See page 1-6) or Lower Amperage Main Circuit Breaker (See page 1-5)—Copper Bus ▼											
100 A	22 kA	12	12	0	QO112M100C	234.00	PK9GTA	8.90	4-1/0		5
	22 kA	12	20	8	QO11220M100C	275.00	PK15GTA	11.40	4-1/0		5
	22 kA	16	16	0	QO116M100C	263.00	PK12GTA	10.50	4-1/0		6
	22 kA	20	20	0	QO120M100C	297.00	PK15GTA	11.40	4-1/0		6
Convertible Mains—Factory-Installed Main Circuit Breaker—											
QOM2 Main Frame Size—Convertible to Main Lugs (See page 1-6) or Lower Amperage Main Circuit Breaker (See page 1-5)—Copper Bus ▼											
150 A	22 kA	20	30	10	QO12030M150C	562.00	PK18GTA	12.50	4-250		9
	22 kA	30	30	0	QO130M150C	580.00	PK18GTA	12.50	4-250		9
200 A	22 kA	20	40	20	QO12040M200C	562.00	PK23GTA	14.20	4-250		9
	22 kA	30	30	0	QO130M200C	597.00	PK18GTA	12.50	4-250		9
	22 kA	30	40	10	QO13040M200C	649.00	PK23GTA	14.20	4-250		9
	22 kA	40	40	0	QO140M200C	758.00	PK23GTA	14.20	4-250		10

Above listings through 200 A mains rating meet Federal Specification W-P-115c as Type 1, Class 2.

- ▲ Maximum single pole branch circuits utilizing QO and/or QOT circuit breakers.
- Order F for flush device or S for surface device.
- ◆ Mains rating 25 A when Al wire is used.
- ★ Will not accept Qwik-Gard® QO-GFI circuit breaker.
- ▼ Use 10 AWG maximum size wire for GFI circuit breakers.
- △ Main circuit breaker is a field-installed standard QO single pole circuit breaker. Order separately from page 1-2.
- 70 A max. branch circuit breaker and 70 A max. back fed main circuit breaker.
- ◇ UL short circuit current rating depends on lowest interrupting rating of circuit breaker installed.
- ☆ UL Listed 5000 A short circuit current rating for corner grounded Delta systems. Use QO-H circuit breakers only.
- ▽ 22 k AIR main circuit breaker UL Listed for use ahead of QO, QOT and QO-PL 10 k AIR branch circuit breakers to permit their application on systems with up to 22,000 A available fault current.
- ◊ One main circuit breaker is included with panel. NEMA 1 indoor device requires cover ordered separately. Alternate source main circuit breaker (QO 125 A max) ordered separately. Automatic Transfer switch and Generator for secondary power source are ordered through a Kohler authorized dealer or contractor.
- * Device is rated NEMA 3R and can be used for indoor or outdoor applications.
- ◊ Universal mains—no factory installed main circuit breaker or main lugs. QOM2 frame size—field install 22 k AIR main circuit breaker or main lugs (see page 1-5 or 1-6).

Table 1.26: Auxiliary Gutter

UL Listed for use with standard 1Ø and 3Ø load centers for riser applications◊. For auxiliary gutter-load center compatibility, see Catalog 1100CT0501

Cat. No.	\$ Price	Cover	Conduit Riser Size	Width	Height	Depth
SDAG26	225.00	Flush	1-3/4, 2, 2-1/2 or 3	13.50	26.12	3.75

- ◊ One tap kit required for each riser wire.
- ◊ When used with B300 bolt-on hubs.

Table 1.27: Tap Kits 120/240 Vac—UL Listed For Use With Auxiliary Gutters SDAG26

Cat. No.	\$ Price	Use With Auxiliary Gutter Cat. No.	Riser Wire		Tap Off Wire	
			Lug Type	Al/Cu Wire Size	Lug Type	Al/Cu Wire Size
SDGT30020	54.00	SDAG26	Mechanical (Included)	(2) 6 AWG-300 kcmil	Mechanical (Included)	(1) 6-2/0 AWG
SDGT300300	80.00	SDAG26	Mechanical (Included)	(2) 6 AWG-300 kcmil	Mechanical (Included)	(1) 6 AWG-300 kcmil
SDGT300C10C	33.10	SDAG26	Anderson VCEL030516H1 (Not included)	(2) 4 AWG-300 kcmil	Anderson VCEL02114S1 (Not included)	(1) 8-1/0 AWG
SDGT300C300C	46.90	SDAG26	Anderson VCEL030516H1 (Not included)	(2) 4 AWG-300 kcmil	Anderson VCEL030516H1 (Not included)	(1) 4 AWG-300 kcmil
QOGL20 Grounding Terminals	27.10	SDAG26	Mechanical (Included)	(2) 6-2/0 AWG	—	—



Load Center Value Pack

Table 1.28: 1Ø3W—120/240 Vac—UL Listed—Convertible Mains—Factory-installed Main Circuit Breaker Complete Load Center (Box, Interior and Cover) and Selected Branch Circuit Breakers

Mains Rating	Spaces	Max. 1P Circuits▲	Max. Tandem Circuit Breakers	Load Center Box, Interior, Cover and Branch Circuit Breakers			Equipment Ground Bar Kit (Order Separately)		Main Wire Size AWG/kcmil Al/Cu	Box No. See Pages 1-16, 1-17
				Cat. No.	Included Load Center/Circuit Breakers	\$ Price	Cat. No.	\$ Price		
QO—Copper Bus—Order extra QO, QOT, QO-EPD, QO-GFI, QO-AFI branch circuit breakers from pages 1-2 and 1-3.										
Main Circuit Breaker										
100 A	32	32	0	QOVP2	(1) QO132M100C, (5) QO120	559.00	PK18GTA	12.50	4-2/0	8
200 A	30	40	10	QOVP1	(1) QO13040M200C, (5) QO120	735.00	PK23GTA	14.20	4-250	9
200 A	30	40	10	QOVP10	(1) QO13040M200C, (10) QO120	885.00	PK23GTA	14.20	4-250	9
Homeline—Order extra HOM, HOMT, HOM-GFI, HOM-AFI branch circuit breakers from page 1-13.										
Main Lugs										
125 A	12	24	12	HOMVPL2	(1) HOM1224L125TC, (5) HOM120	235.00	Included	—	6-2/0	6
200 A	30	40	10	HOMVPL1	(1) HOM3040L200TC, (6) HOM115, (6) HOM120, (1) HOM230, (1) HOM250	641.00	Included	—	4-250	10
Main Circuit Breaker										
100 A	20	20	0	HOMVP4	(1) HOM20M100C, (5) HOM115	352.00	PK15GTA	11.40	4-2/0	8
100 A	20	20	0	HOMVP5	(1) HOM20M100C, (5) HOM120	352.00	PK15GTA	11.40	4-2/0	8
150 A	30	30	0	HOMVP12	(1) HOM30M150C, (5) HOM120, (1) HOM230	655.00	PK23GTA	14.20	4-250	10
200 A	20	40	20	HOMVP16	(1) HOM2040M200TC, (5) HOM120, (1) HOM230	643.00	Included	—	4-250	9
200 A	30	40	10	HOMVP1	(1) HOM3040M200TC, (5) HOM120, (1) HOM230	722.00	Included	—	4-250	10
200 A	30	40	10	HOMVP2	(1) HOM3040M200TC, (5) HOM115, (1) HOM230	722.00	Included	—	4-250	10
200 A	30	40	10	HOMVP9	(1) HOM3040M200TC, (6) HOM115, (6) HOM120, (1) HOM230, (1) HOM250	885.00	Included	—	4-250	10
200 A	30	40	10	HOMVP14	(1) HOM3040M200TC, (12) HOM120, (1) HOM230, (1) HOM250	885.00	Included	—	4-250	10
200 A	40	40	0	HOMVP15	(1) HOM40M200C, (10) HOM120	897.00	PK23GTA	14.20	4-250	12
Homeline—Order extra HOM, HOMT, HOM-GFI, HOM-AFI branch circuit breakers from page 1-13.										
Main Circuit Breaker										
200 A	20	40	20	HOMVPRB1	(1) HOM2040M200RB, (6) HOM115, (6) HOM120, (1) HOM230, (1) HOM250	835.00	PK23GTA	14.20	4-250	6R

Above listings through 200 A mains rating meet Federal Specification W-P-115c as Type 1, Class 2.

▲ Maximum single pole branch circuits utilizing QO and/or QOT circuit breakers.

Riser Panels

Table 1.29: 1Ø3W 120/240 Vac—Offset Interior Wide Gutter—30 A Maximum Branch Circuit Breaker on left side of interior ■◆

Mains Rating	Spaces	Max. Single Pole Circuits★	Max. Tandem Circuit Breakers	Load Center Box and Interior		Load Center Cover		Equipment Ground Bar Kit (Order Separately)		Main Wire Size AWG/kcmil		Box No. See Page 1-16
				Cat. No.	\$ Price	Cat. No.	\$ Price	Cat. No.	\$ Price	Al	Cu	
Convertible Mains—Factory-installed Main Lugs—65 kA Short Circuit Current Rating												
QOM1 Main Frame Size—Convertible to Main Circuit Breaker (See page 1-5) when used with QOC cover below—Copper Bus												
125 A	12	24	12	QO11224L125WG	225.00	QOC20UFWG	35.00	PK15GTA	11.40	6-2/0	14	
125 A	20	30	10	QO12030L125WG	310.00	QOC20UFWG	35.00	PK15GTA	11.40	6-2/0	14	
Convertible Mains—Factory-installed Main Lugs—65 kA Short Circuit Current Rating												
QOM2 Main Frame Size—Convertible to Main Circuit Breaker (See page 1-5) when used with QOC cover below—Copper Bus												
200 A	30	40	10	QO13040L200WG	467.00	QOC30UFWG	68.00	PK23GTA	14.20	4-250	23	
Convertible Mains—Factory-installed Main Circuit Breaker—22 kA Short Circuit Current Rating												
QOM2 Main Frame Size—Convertible to Main Lugs (See page 1-6)—Copper Bus												
200 A	24	24	0	QO124M200WG125	455.00	QOC30UFWG	68.00	PK23GTA	14.20	4-250	23	

Above listings through 200 A mains rating meet Federal Specification W-P-115c as Type 1, Class 2.

- UL short circuit current rating depends on lowest interrupting rating of circuit breaker installed.
- ◆ UL Listed 5000 A short circuit current rating for corner grounded Delta systems. Use QO-H circuit breakers only.
- ★ Maximum single pole branch circuits utilizing QO and/or QOT circuit breakers.
- ▼ Comes with 125 A main circuit breaker factory installed.

Panelboard-style Covers for Riser Panels

Mono-Flat® Front available for riser panels as an alternative to standard load center cover listed above. Provides a low-profile, aesthetically pleasing solution for high-traffic areas in upscale multi-family applications. Deadfront included. Lock kit not provided. Cannot be used when panel has been converted to main breaker panel. △

Mains Rating of Load Center	Cat. No.	\$ Price
125 A	NQC20UFWG	78.00
200 A	NQC30UFWG	120.00

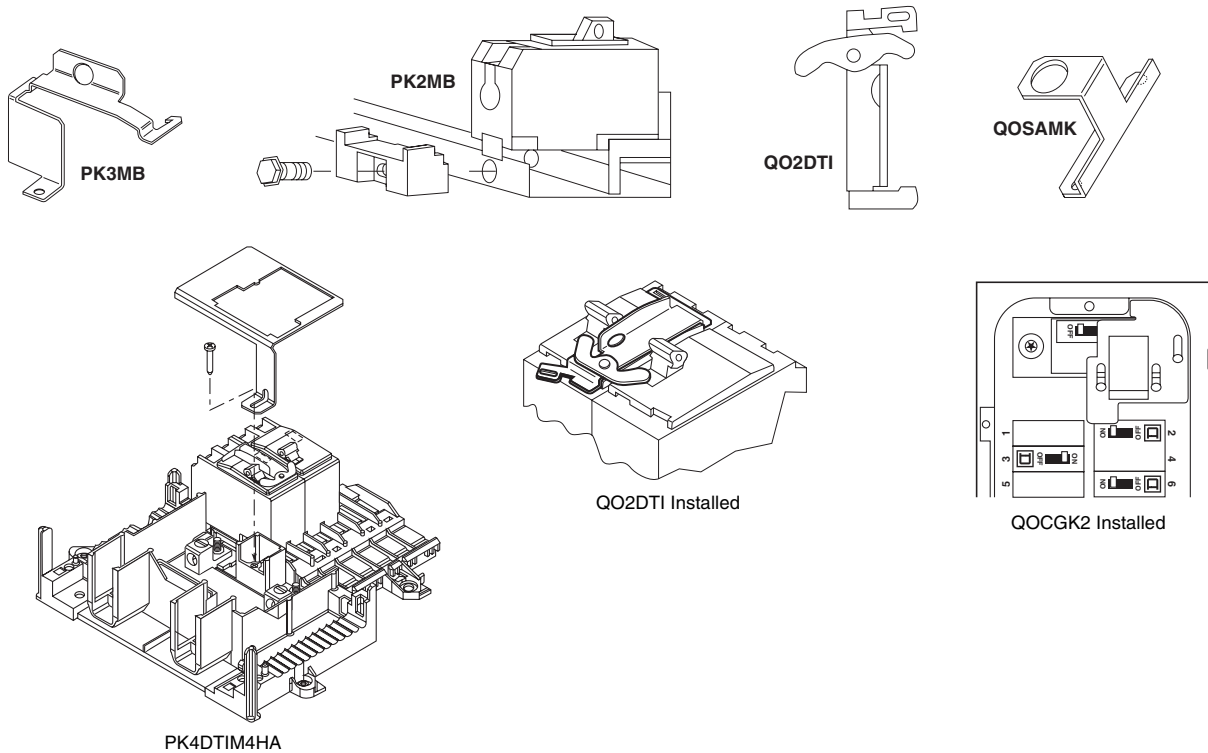
△ Order catalog number PK4FL for field installable lock kit.

LOAD CENTERS

Table 1.30: QO Load Center Accessories

	Description	Cat. No.	\$ Price	Schedule
Retaining Kit	Secures circuit breaker to interior when used as a back-fed main. For QO612L100F/S, RB, QO612L100DF/S, QO816L100F/S, RB, QO816L100DF/S and QO148L125GF/S, GRB load centers	PK2MB	4.80	DE3A
	Secures 3P circuit breaker without accessories to left side of interior when used as a back-fed main. For 3Ø load centers	PK3MB	9.80	DE3A
	Secures circuit breaker to interior when used as a back-fed main for 2P QO 150–200 A circuit breakers.	PK5RK	9.80	DE3A
	Secures ONE circuit breaker with or without electrical accessories to right side of interior when used as a back-fed main. For 1Ø 100–125 ampere convertible main load centers. Series S01 and S02.	PK4MB2LA	9.80	DE3A
	Secures ONE circuit breaker with or without electrical accessories to right side of interior when used as a back-fed main. For 1Ø 150–225 ampere convertible main load centers. Series S01 and S02.	PK4MB2HA	9.80	DE3A
Manual Transfer Equipment Kit	For interlocking the handles of two 2P or one 2P and one 1P QO and Q1 circuit breakers mounted side-by-side so that only one circuit breaker can be "ON" at a time	QO2DTI	16.60	DE2E
	QO2DTI mechanical interlock attachment with retaining kits for securing two adjacent back-fed circuit breakers in dual power supply applications. Can be used with (2) 2P or (1) 2P and (1) 1P QO circuit breakers in QO816L100 load centers.	QO2DTIM	42.00	DE2E
	Secures two 2P circuit breakers to right side of interior when used as back-fed mains, a QO2DTI Kit included for back-up power supply applications. For 1Ø 100–125 ampere convertible main load centers. Series S01 and S02.	PK4DTIM4LA	68.00	DE3A
	Secures two 2P circuit breakers to right side of interior when used as back-fed mains, a QO2DTI Kit included for back-up power supply applications. For 1Ø 150–225 ampere convertible main load centers. Series S01 and S02.	PK4DTIM4HA	68.00	DE3A
	Secures two 2P circuit breakers to left side of interior when used as back-fed mains, a QO2DTI Kit included for back-up power supply applications. For 1Ø 100–125 ampere convertible main load centers. Series S01 and S02.	PK4DTIM4LAL	68.00	DE3A
Generator Circuit Breaker Interlock Kit	For use on "G" and "S" Series NEMA 1 and "G", "S1" and "S2" Series NEMA 3R load centers. Interlocks a QOM1 2P main circuit breaker of a load center (100–125 A) with a QO 2P (15–125 A) branch circuit breaker. Includes a retaining kit.	QOCRBGK1	70.00	DE3A
	For use on "G" and "S" Series NEMA 1 and "G", "S1" and "S2" Series NEMA 3R load centers. Interlocks a QOM2 2P main circuit breaker of a load center (150–225 A) with a QO 2P (15–125 A) branch circuit breaker. Includes a retaining kit.	QOCGK2	70.00	DE3A
	For use on "S2" Series NEMA 3R load centers. Interlocks a QOM2 2P main circuit breaker of a load center (150–225 A) with a QO 2P (15–125 A) branch circuit breaker. Includes a retaining kit.	QORBGK2	70.00	DE3A
Cover Sealing Strap:	Provides means of sealing trim mounting screws on QO load center covers	QO1SE	2.40	DE3A
Miscellaneous	Surge Arresters: For use on 1Ø3W, 150 Vac maximum	SDSA1175	61.00	DE1B
	For use on 3Ø4W, 650 Vac maximum	SDSA3650	165.00	DE1B
	QO Surgebreaker cUL _{US} Listed Secondary Surge Arrester 150 Vac line-to-ground maximum.	QO2175SB	106.00	DE1B
	Homeline Surgebreaker cUL _{US} Listed Secondary Surge Arrester 150 Vac line-to-ground maximum.	HOM2175SB	106.00	DE1B
	Surge Arrester Mounting Kit: UL Listed for mounting SDSA1175 surge arrester into ground bar mounting holes on 1Ø convertible main circuit breaker load centers	QOSAMK	7.60	DE3A
Replacement Cover Directory Label:	1 through 42 numbered universal replacement directory label for load center covers	LSDL	.36	DE5
Circuit Identification Stickers:	Circuit identification stickers for use on cover directory labels to identify branch circuits	PSDS	.50	DE5

LOAD CENTERS 1



LOAD CENTERS

Table 1.31: QO Load Center Accessories

Description		Cat. No.	\$ Price	Schedule
Filler Plates	Fills opening in covers if twistout is removed in error	QOFF	2.40	DE3A
	Fills main circuit breaker opening in convertible load center covers 100–125 A	QOM1FP	13.50	DE3A
	Fills main circuit breaker opening in convertible load center covers 150–225 A	QOM2FP	13.50	DE3A
	Fills main circuit breaker opening in 3Ø load center covers (S01 and S02 Series)	KFP	13.50	DE3A
	Fills main circuit breaker opening in "Q" style 3Ø load center covers (S03 Series)	Q2FP	13.50	DE3A
Lock Kits	Use with convertible mains, 1Ø and 3Ø 100–225 A, and fixed mains, 3Ø 125–225 A indoor load centers	PK6FL▲	62.00	DE3A
	Use with 300 and 400 ampere indoor load centers	PK4FL	60.00	PE1A
Neutral / Ground Lugs	Field-installed for 12–2 Al or 14–4 Cu AWG wire	LK70AN	6.70	DE3A
	Field-installed for 6–2/0 Al/Cu AWG wire	LK100AN	7.20	DE3A
	Field-installed for 14–2/0 Al/Cu AWG wire	LK125AN	14.70	DE3A
	Field-installed for 2–3/0 Al/Cu AWG wire	LK150AN	21.60	DE3A
	Field-installed for 4 AWG to 300 kcmil Al/Cu wire. Use in Series S, 150–225 A QO or HOM load center	LK225AN	22.10	DE3A
Ground Bar Kits	Standard PK15GTA with a 1–4/0 Al/Cu Lug	PK15GTAL	23.30	DE3A
	Standard PK18GTA with a 1–4/0 Al/Cu Lug	PK18GTAL	25.20	DE3A
	Standard PK23GTA with a 1–4/0 Al/Cu Lug	PK23GTAL	27.10	DE3A
	Insulator Kit for PK7GTA through PK27GTA	PKGTAB	29.20	DE3A
Handle Padlock Attachment:	For padlocking main circuit breakers in convertible load centers OFF.....50–125 A, QOM1 Frame Size	QOM1PA	7.30	DE2E
	For padlocking main circuit breakers in convertible load centers OFF.....100–225 A, QOM2 Frame Size	QOM2PA	7.30	DE2E

▲ QO612L100DF/S, QO816L100DF/S, QO612L100DFCU/SCU, QO816L100DFCU/SCU and QO403L60NF/S DO NOT have provisions for field-installed lock.

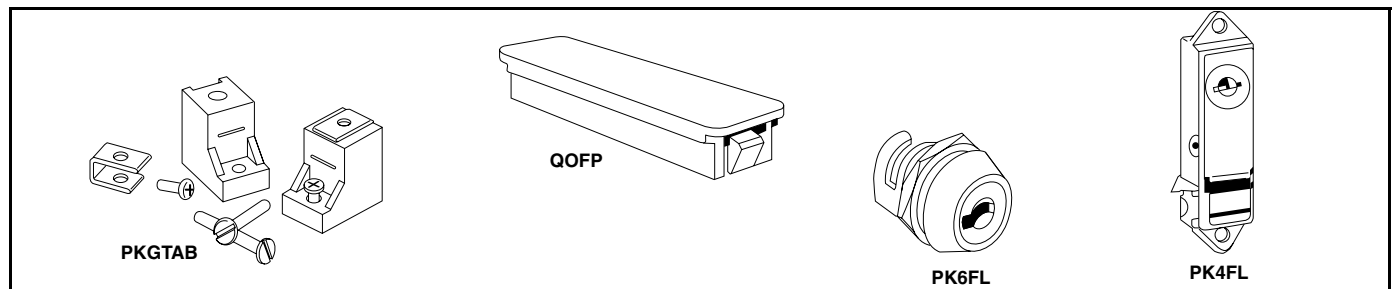


Table 1.32: Homeline Load Center Accessories

Description		Cat. No.	\$ Price	Schedule
Handle Padlock Attachment:	For padlocking main circuit breakers in convertible load center, "OFF"	50–125 A	QOM1PA	7.30 DE2E
		100–225 A	QOM2PA	7.30 DE2E
Filler Plates	Fills opening in covers if twistout is removed in error	HOMFP	2.10	DE3C
	Fills main circuit breaker opening in convertible load centers	100–125 A	QOM1FP	13.50 DE3A
		150–225 A	QOM2FP	13.50 DE3A
Neutral Lugs	Field-installed for 14–2 AWG Al or 14–4 AWG Cu wire	LK70AN	6.70	DE3B
	Field-installed for 6–2/0 AWG Al/Cu wire	LK100AN	7.20	DE3B
	Field-installed for 14–2/0 AWG Al/Cu wire	LK125AN	14.70	DE3B
	Field-installed for 4 AWG–300 kcmil Al/Cu wire. Use in Series S, 150–225 A QO or HOM load center	LK225AN	22.10	DE3A
Miscellaneous	Retaining Kit	Secures circuit breaker to interior when used as a back-fed main. For HOM612L100F/S, RB and HOM48L125GC, GRB load centers.	HOM1RK	4.30 DE3C
		Secures ONE circuit breaker right side of interior when used as a back-fed main. For 100–125 A convertible main load centers, Series S01 and S02	HOM4RK2LA	9.80 DE3C
		Secures ONE circuit breaker right side of interior when used as a back-fed main. For 150–225 A convertible main load centers, Series S01 and S02	HOM4RK2HA	9.80 DE3C
		Secures circuit breaker to interior when used as a back-fed main. For 2P 150–200 A circuit breakers	HOM5RK	9.80 DE3C
	Lock Kit	Use with convertible indoor load center covers (Series S-1)	PK6FL	62.00 DE3A
Replacement Cover Directory Label	1 through 42 numbered universal replacement directory label for load center covers	LSDL	.36 DE5	
Circuit Identification Stickers:	Circuit identification stickers for use on cover directory labels to identify branch circuits	PSDS	.50 DE5	
New! Generator Circuit Breaker Interlock Kit	For use on "S" Series NEMA 1 and "S1" and "S2" Series NEMA 3R load centers. Interlocks a QOM1 2P main circuit breaker of a load center (100–125 A) with a Homeline 2P (15–125 A) branch circuit breaker.	HOMCRBGK1	70.00 DE3D	
		For use on "S" Series NEMA 1 and "S1" Series NEMA 3R load centers. Interlocks a QOM2 2P main circuit breaker of a load center (150–225 A) with a Homeline 2P (15–125 A) branch circuit breaker.	HOMCGK2	70.00 DE3D
		For use on "S2" Series NEMA 3R load centers. Interlocks a QOM2 2P main circuit breaker of a load center (150–225 A) with a Homeline 2P (15–125 A) branch circuit breaker.	HOMRBGK2	70.00 DE3D

Table 1.33: Voltage Testers

Solenoid Type with polarity indication and slotted receptacles for holding prods. UL and CSA Listed.



Wiggys® Voltage Tester

Description	Type	\$ Price	Schedule
The <i>Wiggys</i> ® Voltage Tester 120-240-480-600 Vac 50/60 Hz; 120-240-600 Vdc	6610VT1	67.00	DE3B
Same as VT-1 except with fused leads	6610VT1S	74.00	DE3B
Deluxe Simulated Leather Carrying Case	6610L2	39.30	DE3B
Replacement Polarity Indication Cap ■	6610PC1	8.00	DE3B
Replacement Leads ■	6610P1	25.70	DE3B
Fused Replacement Leads ■	6610P1S	35.50	DE3B

■ IMPORTANT: Will fit only Class 6610 Series A testers and Catalog Number 5008, Series B testers. Will not fit 5008 Pre-Series B testers. Leads must be replaced as a unit. Replacement of individual lead components must not be attempted.



HOM 1P
1 Space Required



HOM 2P
2 Spaces Required



HOM2200BB
Branch
Circuit Breaker
4 Spaces Required



HOMT Quad Circuit
Breaker
2 Space Required



HOM 1P AFI
(Arc Fault Circuit
Interrupter)
1 Space Required



HOM 1P GFI
(With Ground Fault
Circuit Interrupter)
1 Space Required



HOM 2P GFI
(With Ground Fault
Circuit Interrupter)
2 Spaces Required

Homeline® Circuit Breakers

The Square D Homeline circuit breakers are in a 1 in. wide format for 1-pole circuit breakers. They are designed to plug into Homeline load centers that are available from 4 to 42 circuits.

The Square D exclusive Qwik-Open® mechanism, with a trip reaction within 1/60th of a second, is standard on all 15 A and 20 A circuit breakers.

Table 1.34: HOM

Ampere Rating	AIR	1P—120/240 Vac		2P—120/240 Vac Common Trip	
		Cat. No.	\$ Price	Cat. No.	\$ Price
15 A	10 kA	HOM115 ■	17.50	HOM215 ■	40.30
20 A	10 kA	HOM120 ■	17.50	HOM220 ■	40.30
25 A	10 kA	HOM125 ■	17.50	HOM225 ■	40.30
30 A	10 kA	HOM130 ■	17.50	HOM230 ■	40.30
35 A	10 kA	—	—	HOM235 ■	40.30
40 A	10 kA	HOM140 ■	17.50	HOM240 ■	40.30
45 A	10 kA	—	—	HOM245 ■	40.30
50 A	10 kA	HOM150 ■	17.50	HOM250 ■	40.30
60 A	10 kA	—	—	HOM260 ■	40.30
70 A	10 kA	—	—	HOM270 ■	82.00
80 A	10 kA	—	—	HOM280 ■	112.00
90 A	10 kA	—	—	HOM290 ■	112.00
100 A	10 kA	—	—	HOM2100 ■	112.00
110 A	10 kA	—	—	HOM2110 ■	246.00
125 A	10 kA	—	—	HOM2125 ■	246.00
150 A	10 kA	—	—	HOM2150BB ■♦	285.00
175 A	10 kA	—	—	HOM2175BB ■♦	285.00
200 A	10 kA	—	—	HOM2200BB ■♦	285.00

High magnetic trip circuit breakers are recommended for applications where high initial inrush current may occur.

Table 1.35: HOM-HM

Amperes	1P—120/240 Vac		2Ps
	Cat. No.	\$ Price	
15 A	HOM115HM ■	18.40	—
20 A	HOM120HM ■	18.40	—

Homeline Arc Fault Circuit Interrupters—Provide overload and short circuit protection, plus arc fault protection in accordance with UL 1699.

Table 1.36: HOM-AFI

Circuit Breaker Type	Ampere Rating	Poles 120 Vac	Cat. No.		\$ Price
			1P	2P	
Arc-fault Circuit Interrupter	15 A	1	HOM115AFI ■	HOM120AFI ■	150.00
	20 A	1	HOM115CAFI ■	HOM120CAFI ■	178.00
Combination Arc-fault Circuit interrupter	15 A	1	HOM115CAFI ■	HOM120CAFI ■	178.00
	20 A	1	HOM120CAFI ■	HOM120CAFI ■	178.00

New!

HOM-GFI circuit breakers provide overload and short circuit protection, combined with Class A ground fault protection. Class A denotes a ground fault circuit interrupter that will trip when a fault current to ground is 6 milliamperes or more.

Table 1.37: HOM-GFI

Ampere Rating	AIR	1P—120 Vac		2P—120/240 Vac Common Trip	
		1 Space Required		2 Spaces Required	
		Cat. No.	\$ Price	Cat. No.	\$ Price
15 A	10 kA	HOM115GFI	141.00	HOM215GFI	275.00
20 A	10 kA	HOM120GFI	141.00	HOM220GFI	275.00
30 A	10 kA	—	—	HOM230GFI	275.00
40 A	10 kA	—	—	HOM240GFI	275.00
50 A	10 kA	—	—	HOM250GFI	275.00

Table 1.38: HOM-EPD—10 k AIR

Homeline Equipment Protection Device—Circuit Breakers with 30 mA Equipment Ground Fault Protection (UL Listed)

Amperes	AIR	1P—120 Vac		2P—120/240 Vac Common Trip	
		Cat. No.	\$ Price	Cat. No.	\$ Price
15 A	10 kA	HOM115EPD	249.00	HOM215EPD	440.00
20 A	10 kA	HOM120EPD	249.00	HOM220EPD	440.00
25 A	10 kA	—	—	HOM225EPD	440.00
30 A	10 kA	—	—	HOM230EPD	440.00
40 A	10 kA	—	—	HOM240EPD	440.00
50 A	10 kA	—	—	HOM250EPD	440.00

Plug-On Circuit Breakers

Class 1170 / Refer to Catalog 1100CT0501

Table 1.39: HOMT Tandem Circuit Breakers

Ampere Rating ★	AIR	1P Tandem—120/240 Vac (One Space Required)	
		Cat. No.	\$ Price
15 and 15 A	10 kA	HOMT1515 ■	34.90
15 and 20 A	10 kA	HOMT1520 ■	34.90
20 and 20 A	10 kA	HOMT2020 ■	34.90
30 and 15 A	10 kA	HOMT3015 ■	34.90
30 and 20 A	10 kA	HOMT3020 ■	34.90

- ▲ UL Listed as SWD (switching duty) rated. Suitable for switching 120 Vac fluorescent lighting loads.
- UL Listed as HACR type for use with air conditioning, heating and refrigeration equipment having motor group combinations and marked for use with HACR type circuit breakers.

Table 1.40: HOMT Quad Tandem Circuit Breakers

Ampere Rating ★	AIR	2P Tandem—120/240 Vac (Two Spaces Required)		
		1P	2P	
(2) 15 A	15 A	10 kA	HOMT1515215 ■	80.00
(2) 15 A	20 A	10 kA	HOMT1515220 ■	80.00
(2) 15 A	25 A	10 kA	HOMT1515225 ■	80.00
(2) 15 A	30 A	10 kA	HOMT1515230 ■	80.00
(2) 15 A	40 A	10 kA	HOMT1515240 ■	80.00
(2) 15 A	50 A	10 kA	HOMT1515250 ■	80.00
(2) 20 A	20 A	10 kA	HOMT2020220 ■	80.00
(2) 20 A	25 A	10 kA	HOMT2020225 ■	80.00
(2) 20 A	30 A	10 kA	HOMT2020230 ■	80.00
(2) 20 A	40 A	10 kA	HOMT2020240 ■	80.00
(2) 20 A	50 A	10 kA	HOMT2020250 ■	80.00

Note: Typical catalog number (e.g. HOMT 1515230) represents two 1P, outer poles (two 15 A 1P CBs) and one 2P inner circuit breaker with common trip (one 30 A 2P CB).

Table 1.41: Circuit Breaker Wire Sizes▼

Breaker Type	Ampere Rating	Wire Size (AWG/kcmil)	
		Aluminum	Copper
HOM 1P	15–30 A	14–8 AWG	14–8 AWG or (2) 14–10 AWG
	40–50 A	8–2 AWG	8–2 AWG
HOM 2P	15–30 A	14–8 AWG	14–8 AWG or (2) 14–10 AWG
	35–70 A	8–2 AWG	8–2 AWG
	80–125 A	4–2/0 AWG	4–2/0 AWG
	150–200 A	4 AWG–300 kcmil	4 AWG–300 kcmil
HOMT and Quad	15–30 A	14–8 AWG	14–8 AWG
	Quad Only	40–50 A	6–12 AWG
HOM-GFI - 1P	15–20 A	14–10 AWG	14–10 AWG
	15–50 A	12–4 AWG	14–6 AWG

Table 1.42: Accessories

Description	Cat. No.	\$ Price	
Handle Attachments			
Handle Tie: Converts any two adjacent 120/240 Vac single HOM circuit breakers to independent trip 2P	HOM1HT □	2.30	
Handle Tie: Converts any two adjacent 120/240 Vac 1P side-by-side HOMT circuit breakers to independent trip 2P	HOMTHT □	2.50	
Handle Clamp: Clamp for holding HOM 1P handle in the ON or OFF position	QO1LO ◇	2.50	
Handle Blocking Device: Attaches to standard HOM 2P circuit breakers for holding the handle in the OFF position	HOM2HBD □	7.10	
Handle Padlock Attachment: For padlocking 1P Standard HOM breakers in the ON or OFF position.	HOM1PA □	6.60	
Handle Padlock Attachment: For padlocking 2P Standard HOM circuit breakers in ON or OFF position	15–70 A	HOM2PALA □	6.60
	80–125 A	HOM2PAHA □	6.60
150–200 A	HOM2PAVHA □	33.60	
Handle Padlock Attachment: For padlocking center poles of Homeline Quad breakers in the OFF position.	HOMQPA	6.60	
Handle Padlock Attachment: For padlocking main circuit breakers in convertible load center in OFF position	50–125 A	QOM1PA ◇	7.20
	100–225 A	QOM2PA ◇	7.20
Sub-Feed Lugs			
125 A 2P plug-on—2 spaces required	HOML2125	31.70	
225 A 2P plug-on—4 spaces required	HOML2225 ♦	197.00	

- ♦ Requires four spaces (1 AWG–300 kcmil Al/Cu). Use only in 1Ø panel rated 150 A or greater.
- ★ 15–20 A tandem or quad tandem circuit breakers are suitable for use with 60°C or 75°C conductors. 25–50 A tandem or quad tandem circuit breakers are suitable for use with 75°C conductors only.
- ▼ 15–30 A circuit breakers are suitable for use with 60°C or 75°C conductors. 40–125 A circuit breakers are suitable for use with 75°C conductors.
- △ 50–125 A QOM1 frame size; 100–225 A QOM2 frame size.
- DE3C Discount Schedule
- ◇ DE2E Discount Schedule

LOAD CENTERS

1

Table 1.43: 1Ø3W—120/240 Vac—UL Listed—10 kA Short Circuit Current Rating

Mains Rating	Spaces	Max. Single Pole Circuits ▲	Max. Tandem Circuit Breakers	Load Center Box, Interior and Cover ■		Main Wire Size AWG/kcmil		Equipment Ground Bar Kit (Order Separately)		Box No. See Page 1-16
				Cat. No.	\$ Price (DE3C)	Al	Cu	Cat. No.	\$ Price (DE3A)	
Main Lugs—Order HOM, HOMT, HOMGFI and HOMAFI Circuit Breakers from page 1-13										
Factory-installed Fixed Main Lugs										
70 A	2	4	2	HOM24L70F/S★◆	39.20	12-3	14-4	PK3GTA1	7.60	2
100 A	6	12	6	HOM612L100F/S◆▼	52.00	8-1		PK7GTA	7.80	4
125 A	4	8	4	HOM48L125GC	57.00	12-2/0	14-2/0	PK7GTA Factory-included		21
Convertible Mains—Factory-installed Main Lugs										
QOM1 Main Frame Size—Convertible to 22 k AIR Main Circuit Breaker (See page 1-15)										
125 A	8	16	8	HOM816L125C	88.00	6-2/0		PK15GTA	11.40	6
	8	16	8	HOM816L125TC	100.00			Factory-installed	—	6
	12	12	0	HOM12L125C	116.00			PK15GTA	11.40	6
	12	24	12	HOM1224L125TC	136.00			Factory-installed	—	6
	16	24	8	HOM1624L125C	173.00			PK15GTA	11.40	8
	20	20	0	HOM20L125C	158.00			PK15GTA	11.40	8
	20	24	4	HOM2024L125TC	192.00			Factory-installed	—	8
24	24	0	HOM24L125TC	229.00	Factory-installed	—	8			
Convertible Mains—Factory-installed Main Lugs										
QOM2 Main Frame Size—Convertible to 22 k AIR Main Circuit Breaker (See page 1-15)										
150 A	30	30	0	HOM30L150C	250.00	6-250		PK23GTA	14.20	10
	30	30	0	HOM30L150TC	264.00	6-250		Factory-installed	—	10
200 A	16	32	16	HOM1632L200TC	238.00	6-250		Factory-installed	—	9
	16	32	16	HOM1632L200TCFT△	383.00					
	20	40	20	HOM2040L200TC	278.00					
200 A	30	30	0	HOM30L200C	280.00	6-250		PK23GTA	14.20	10
	30	30	0	HOM30L200TC	309.00			Factory-installed	—	10
	30	40	10	HOM3040L200TC	319.00			Factory-installed	—	10
	40	40	0	HOM40L200C	412.00			PK23GTA	14.20	12
	40	40	0	HOM40L200TC	447.00			Factory-installed	—	12
225 A	42	42	0	HOM42L225C	488.00	6-250		PK23GTA	14.20	12
Main Circuit Breaker—22 kA Short Circuit Current Rating										
Convertible Mains—Factory-installed Main Circuit Breaker										
QOM1 Main Frame Size—Convertible to Main Lugs or Lower Amperage Main Circuit Breaker (See page 1-15)										
100 A	8	16	8	HOM816M100C	210.00	6-1		PK15GTA	11.40	5
	8	16	8	HOM816M100TC	222.00	6-1		Factory-installed	—	5
	12	12	0	HOM12M100C	196.00	4-2/0		PK15GTA	11.40	6
	12	24	12	HOM1224M100TC	256.00	4-2/0		Factory-installed	—	6
	20	20	0	HOM20M100C	264.00	4-2/0		PK15GTA	11.40	8
	24	24	0	HOM24M100C	342.00	4-2/0		PK15GTA	11.40	8
125 A	30	30	0	HOM30M100C	448.00	4-2/0		PK23GTA	14.20	10
	12	24	12	HOM1224M125C	404.00	4-2/0		PK15GTA	11.40	6
	12	24	12	HOM1224M125TC	413.00			Factory-installed	—	6
	24	24	0	HOM24M125C	473.00			PK15GTA	11.40	8
	30	30	0	HOM30M125C	541.00			PK23GTA	14.20	10
Convertible Mains—Factory-installed Main Circuit Breaker										
QOM2 Main Frame Size—Convertible to Main Lugs or Lower Amperage Main Circuit Breaker (See page 1-15)										
150 A	16	32	16	HOM1632M150TC	424.00	4-250		Factory-installed	—	9
	20	30	10	HOM2030M150TC	500.00			Factory-installed	—	9
	30	30	0	HOM30M150C	517.00			PK23GTA	14.20	10
200 A	12	24	12	HOM1224M200TC	381.00	4-250		Factory-installed	—	9
	16	32	16	HOM1632M200TC	450.00			Factory-installed	—	9
	20	40	20	HOM2040M200C	474.00			PK23GTA	14.20	9
	20	40	20	HOM2040M200TC	509.00			Factory-installed	—	9
	30	30	0	HOM30M200C	532.00			PK23GTA	14.20	10
	30	40	10	HOM3040M200TC	594.00			Factory-installed	—	10
	40	40	0	HOM40M200C	679.00			PK23GTA	14.20	12
42	42	0	HOM42M200C	729.00	PK23GTA	14.20	12			
225 A	42	42	0	HOM42M225C	744.00	4-250		PK23GTA	14.20	12
Universal Mains—No Factory-installed Main Circuit Breaker or Main Lugs										
QOM2 Main Frame Size—Field-install 22 k AIR Main Circuit Breaker or Main Lugs (See page 1-15)										
200 A	16	32	16	HOM1632U200TC	195.00	4-250		Factory-installed	—	9
	20	40	20	HOM2040U200TC	238.00			Factory-installed	—	9
	30	40	10	HOM3040U200TC	353.00			Factory-installed	—	10

Above listings through 200 A mains rating meet Federal Specification W-P-115c as Type 1, Class 2.

- ▲ Maximum single pole branch circuits utilizing HOM and/or HOMT circuit breakers.
- C at end of catalog number indicates combination flush/surface cover included with device.
- ◆ F/S at end of catalog number indicates to order F for flush device or S for surface device. The cover does not have a door.
- ★ HOM-GFI branch circuit breaker is limited to number 10 maximum wire.
- ▼ 70 A maximum branch circuit breaker, 100 A maximum back feed main circuit breaker.
- △ Supplied with feed-thru lugs.

Table 1.44: 1Ø3W 120/240 Vac UL Listed Load Centers

Mains Rating	Spaces	Max. Single Pole Circuits ▲	Max. Tandem Circuit Breakers	Load Center Box, Interior and Cover		Main Wire Size AWG/kcmil		Equipment Ground Bar Kit (Order Separately)		Box No. See Page 1-17
				Cat. No. (DE3C)	\$ Price	Al	Cu	Cat. No. (DE3A)	\$ Price	
Main Lugs (Order HOM, HOMT, HOMGFI and HOMAFI Circuit Breakers from Page 1-13), 10 kA Short Circuit Current Rating										
Factory-installed Fixed Main Lugs, 10 kA Short Circuit Current Rating										
70 A	2	4	2	HOM24L70RB■	74.00	12-3	14-4	PK4GTA	7.20	1R
100 A	6	12	6	HOM612L100RB△	86.00	8-1		PK7GTA	7.80	2R
125 A	4	8	4	HOM48L125GRB	91.00	12-2/0	14-2/0	PK7GTA Factory-included		15R
Convertible Mains with Factory-installed Main Lugs ♦, QOM1 Main Frame Size—Convertible to 22 k AIR Main Circuit Breaker (See Below)										
125 A	8	16	8	HOM816L125RB	165.00	6-2/0		PK15GTA	11.40	3R
	12	12	0	HOM12L125RB	156.00			PK15GTA	11.40	3R
	12	24	12	HOM1224L125RB	185.00			PK15GTA	11.40	3R
	20	20	0	HOM20L125RB	255.00			PK15GTA	11.40	4R
Convertible Mains with Factory-installed Main Lugs ♦, QOM2 Main Frame Size—Convertible to 22 k AIR Main Circuit Breaker (See Below)										
200 A	12	12	0	HOM12L200RB	282.00	6-250		PK23GTA	14.20	5R
	20	40	20	HOM2040L200RB	373.00			PK23GTA	14.20	6R
	30	30	0	HOM30L200RB	391.00			PK23GTA	14.20	7R
	40	40	0	HOM40L200RB	607.00			PK23GTA	14.20	14R

Main Circuit Breaker (Order HOM, HOMT, HOMGFI and HOMAFI Circuit Breakers from Page 1-13), 22 kA Short Circuit Current Rating										
Convertible Mains with Factory-Installed Main Circuit Breaker, QOM1 Main Frame Size—Convertible to Main Lugs or Lower Amperage Main Circuit Breaker (See Below) ★										
100 A	8	16	8	HOM816M100RB	286.00	4-2/0		PK15GTA	11.40	3R
	12	12	0	HOM12M100RB	277.00			PK15GTA	11.40	3R
	20	20	0	HOM20M100RB	354.00			PK15GTA	11.40	4R
	24	24	0	HOM24M100RB	404.00			PK15GTA	11.40	6R
125 A	24	24	0	HOM24M125RB	572.00	4-2/0		PK15GTA	11.40	6R
Convertible Mains with Factory-installed Main Circuit Breaker, QOM2 Main Frame Size—Convertible to Main Lugs or Lower Amperage Main Circuit Breaker (See Below)										
150 A	30	30	0	HOM30M150RB	652.00	4-250		PK23GTA	14.20	7R
	20	40	20	HOM2040M200RB	581.00			PK23GTA	14.20	6R
	30	30	0	HOM30M200RB	669.00			PK23GTA	14.20	7R
	40	40	10	HOM3040M200RB	768.00			PK23GTA	14.20	7R
200 A	40	40	0	HOM40M200RB	851.00	4-250		PK23GTA	14.20	14R
	16	24	8	HOM1624M225RB	788.00			PK15GTA	11.40	7R
225 A	42	42	0	HOM42M225RB	882.00	4-250		PK23GTA	14.20	14R
	8	16	8	HOM816M150FTRB	523.00			4-250		PK15GTAL
200 A ▼	8	16	8	HOM816M200FTRB	523.00	4-250		PK15GTAL	23.30	6R
Universal Main with Feed-thru Lugs—No Factory-installed Main Circuit Breaker or Main Lugs ♦										
QOM2 Main Frame Size—Field-install 22 k AIR Main Circuit Breaker or Main Lugs (See Kits Below)										
200 A	8	16	8	HOM816U200FTRB	297.00	4-250		PK15GTAL	23.30	6R

Above listings through 200 A mains rating meet Federal Specification W-P-115c as Type 1, Class 2.

- ▲ Maximum single pole branch circuits utilizing HOM and/or HOMT circuit breakers.
- HOM-GFI branch circuit breaker is limited to number 10 maximum wire.
- ♦ Side hinge door device allow 1-1/4 in. on left side for door to open.
- ★ 22 k AIR main circuit breaker UL Listed for use ahead of HOM and HOMT 10 k AIR branch circuit breakers to permit their application on systems with up to 22 kA available fault current.
- ▼ Rated 200 A when using copper wire. Reference NEC® Table 310.15(B)(6) when using Al wire.
- △ 70 A maximum branch circuit breaker, 100 A maximum back feed main circuit breaker.

Field-installable Kits

Table 1.45: Field-installable Mains, Convertible Load Centers Only



Field-installable Main Type	Frame Size	Main □ Ampere Rating	Use On Convertible Load Center With Mains Rating	Cat. No.	\$ Price (DE3A)	Lug Wire Size ▽ AWG/kcmil
Main Lug ♦	—	125 A	100-125 A	QOL125	29.40	6-2/0 Al or Cu
		225 A	150-225 A	QOL225	69.00	6-300 Al or Cu
Main Circuit Breaker ★	QOM1	50 A	100-125 A	QOM50VH	93.00	12-2/0 Al or Cu
		60 A	100-125 A	QOM60VH	93.00	
		70 A	100-125 A	QOM70VH	93.00	
		80 A	100-125 A	QOM80VH	134.00	
		90 A	100-125 A	QOM90VH	134.00	
		100 A	100-125 A	QOM100VH	134.00	
	QOM2	110 A	125 A	QOM110VH	312.00	4-300 Al or Cu
		125 A	125 A	QOM125VH	312.00	
		100 A	150-225 A	QOM2100VH	312.00	
		125 A	150-225 A	QOM2125VH	312.00	
		150 A	150-225 A	QOM2150VH	312.00	
		175 A	200-225 A	QOM2175VH	312.00	
200 A	200-225 A	QOM2200VH	312.00			
225 A	225 A	QOM2225VH	312.00			

- Do not exceed the load center mains rating.
- ♦ If main circuit breaker knockout has been removed from the load center's trim, order appropriate filler plate from page 1-12.
- ★ 22 k AIR main circuit breaker UL Listed for use ahead of HOM and HOMT 10 k AIR branch circuit breakers to permit their application on systems with up to 22 kA available fault current.
- ▽ Wire range listed for main device kits is the wire range of that device. To find out maximum wire size permitted in a particular load center per UL, see pages 1-5 through 1-10 under Main Wire Size.
- Add suffix 1021 for 120, 208, 240 Vac shunt trip. Add \$126.00.

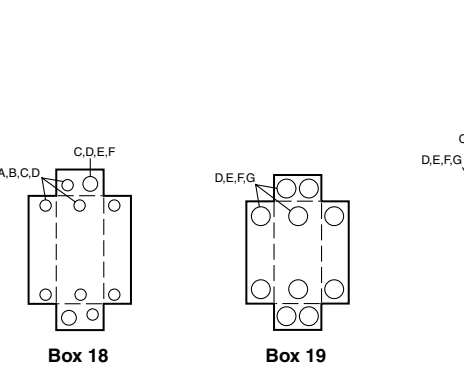
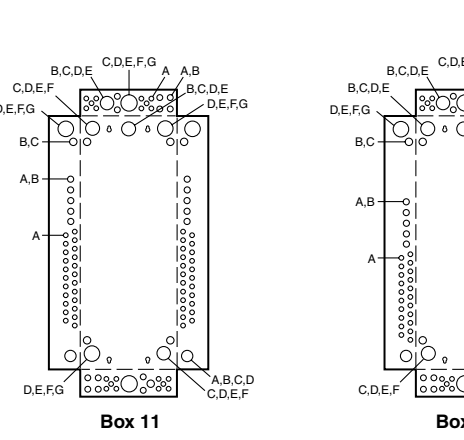
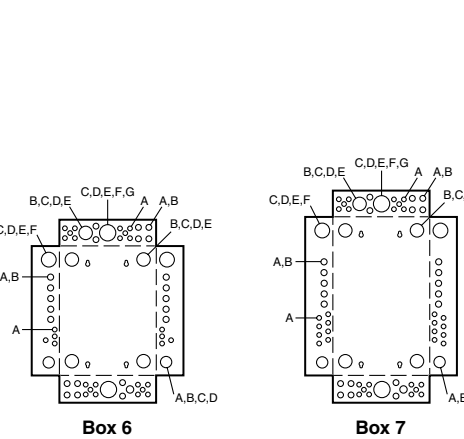
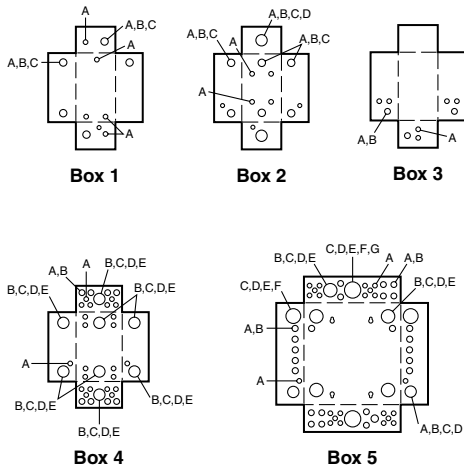
Indoor Knockout Information and Enclosure Dimensions

Table 1.46: Enclosure Dimensions

Box No.	Dimensions						Box No.	Dimensions					
	W		H		D			W		H		D	
	in.	mm	in.	mm	in.	mm		in.	mm	in.	mm	in.	mm
1	3.81	97	6.72	171	3.00	76	13	5.88	149	13.12	333	3.38	86
2	4.81	122	9.30	236	3.19	81	14	14.25	362	20.92	531	3.75	95
3	4.81	122	9.30	236	3.19	81	15	20.00	508	50.00	1270	5.75	146
4	8.88	226	12.57	319	3.80	97	16	20.00	508	68.00	1727	5.75	146
5	14.25	362	14.92	379	3.75	95	17	20.00	508	53.00	1346	5.75	146
6	14.25	362	17.92	455	3.75	95	18	5.88	149	16.12	409	3.38	86
7	14.25	362	20.92	531	3.75	95	19	7.56	192	23.12	587	4.25	108
8	14.25	362	26.04	661	3.75	95	20	9.62	244	26.12	663	4.75	121
9	14.25	362	29.86	758	3.75	95	21	8.88	226	14.80	376	3.80	97
10	14.25	362	33.78	858	3.75	95	22	8.55	217	23.92	608	3.95	100
11	14.25	362	37.98	965	3.75	95	23	14.25	362	29.86	758	3.75	95
12	14.25	362	39.37	1000	3.75	95							

Table 1.47: Knockout Information

Symbol	Knockouts								
	A	B	C	D	E	F	G	H	I
Conduit Size	1/2	3/4	1	1-1/4	1-1/2	2	2-1/2	3	3-1/2



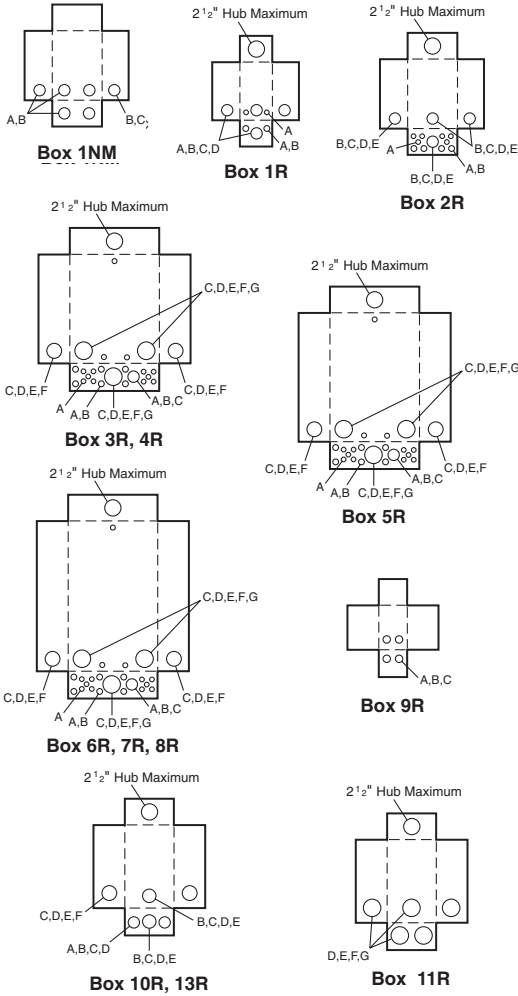


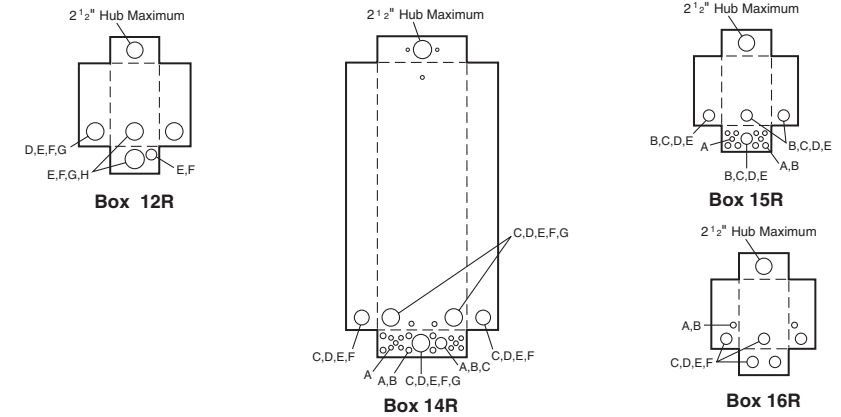
Table 1.48: Enclosure Dimensions

Box No.	Dimensions					
	W		H		D	
	in.	mm	in.	mm	in.	mm
1NM	6.52	166	8.79	223	3.90	99
1R▲	4.88	124	9.38	238	4.00	102
2R	8.88	226	12.65	321	4.27	108
3R	14.75	375	18.92	481	4.52	115
4R	14.75	375	22.06	560	4.52	115
5R	14.75	375	26.04	661	4.52	115
6R	14.75	375	29.86	758	4.52	115
7R	14.75	375	33.78	858	4.52	115
8R	14.75	375	37.98	965	4.52	115
9R	4.56	116	6.50	165	3.88	99
10R	6.92	176	13.18	335	4.12	105
11R	7.56	192	23.24	590	4.75	121
12R	9.62	244	26.24	666	5.50	140
13R	6.92	176	16.18	411	4.12	105
14R	14.75	375	39.37	1000	4.52	115
15R	8.88	226	14.80	376	4.27	108
16R	8.55	217	24.75	629	4.16	106

▲ HOME250SPA and QO260NATR top endwall has no hub opening.

Table 1.49: Knockout Information

Symbol	Knockouts							
	A	B	C	D	E	F	G	H
Conduit Size	1/2 in.	3/4 in.	1 in.	1-1/4 in.	1-1/2 in.	2 in.	2-1/2 in.	3 in.



Bolt-On Hubs

Square D equipment with “R” or “RB” suffix, designated NEMA 3R rainproof construction, utilizes bolt-on hubs listed below. “RB” devices will accept 3/4” through 2-1/2” bolt-on hubs without the use of reducers. Off-center conduit thread openings and elongated mounting holes provide quick and easy adjustment to eliminate costly conduit offsets and bends. Catalog suffix “R” devices require 3” through 4” field cut opening. Hubs are suitable for use with conduit having ANSI standard taper pipe thread.

Table 1.50: Bolt-On Hubs UL Listed for “RB” Devices■

Conduit Size	3/4 in.	1 in.	1-1/4 in.	1-1/2 in.	2 in.	2-1/2 in.
Hub Cat. No.	B075	B100	B125	B150	B200	B250
\$ Price	22.20	22.20	22.20	22.20	40.90	68.00

■ Closing cap (Cat. No. BCAP) is provided factory-installed on each device having “RB” suffix. Price if ordered separately, \$2.50

Table 1.51: Bolt-On Hubs UL Listed for Mounting in Field-Cut Opening

Conduit Size	3 in.	3-1/2 in.	4 in.
Hub Cat. No.	B300	B350	B400
\$ Price	124.00	200.00	245.00

Designed for mounting in field cut opening. Includes gasket and four mounting bolts and nuts.



“RB” Hub

All-In-Ones

- Ring or ringless type meter socket designs available
- UL Listed, suitable only for use as service equipment
- Meets EUSERC standards

- Service disconnect(s) are supplied factory-installed, except where noted
- Semiflush-reverse design available, supplied with load center (indoor access)
- Supplied with 100% branch neutrals, all unused terminals may be used for equipment grounding wires.
- Meets Federal Specification W-P-115c as Type 1, Class 2

Table 1.53: All-In-One Combination Service Entrance Devices *New!*

Ring Type	Ampere Rating	Bypass Type	Service (Type of Feed) UL & EUSERC	Short Circuit Current Rating	Cat. No. (DE3A)	List \$ Price	Service Disconnect(s)			Load Center & Branch Circuit Breakers (Order Separately Pages 1-2, 1-3, 1-13)				Hub Type (Order Separately page 1-20)	Line Side Main Lugs AWG/kcmil (Al/Cu)	Service Ground Lug AWG/kcmil (Al/Cu)	Weight Each (Lbs) and Pallet Qty.	
							2P Circuits (Max.)	Type (Factory Installed)	Ampere Rating (Max.)	Max. Quantity		Ampere Rating (Max.)						
										Spaces	Circuits		1P					
													Tandems					
Homeline	Surface Mount only																	
	100 A	None	OH/UG	10 kA	SC1624M100S	496.00	1	HOM2100	100 A	16	24	8	100 A	A	6-2/0	6-2/0	32, 24	
	125 A	None	OH/UG	10 kA	SC1624M125S	1012.00	1	HOM2125	125 A	16	24	8	125 A▲					
	200 A	None	OH/UG	22 kA	SC2040M200S	1114.00	1	QOM2200VH	200 A	20	40	20	200 A●	A-L	4-250	6-2/0	45, 10	
	200 A	None	OH/UG	10 kA	SC2040M200C■	1199.00	1	HOM2200	200 A	20	40	20	100 A	A or A-L	6-300	12-1/0	47, 18	
	Semiflush Mount only																	
	100 A	None	OH/UG	10 kA	SC1624M100F	496.00	1	HOM2100	100 A	16	24	8	100 A	A or B300	6-2/0	6-2/0	44, 20	
	125 A	None	OH/UG	10 kA	SC1624M125F	1012.00	1	HOM2125	125 A	16	24	8	110 A	A-L	4-250	12-2/0	51, 10	
			OH♦/UG	22 kA	SC2040M125F	1114.00	1	QOM2125VH	125 A	20	40	20	110 A					
	200 A	None	OH♦/UG	22 kA	SC2040M200F	1114.00	1	QOM2200VH	200 A	20	40	20	200 A●	A-L	4-250	12-2/0	56, 10	
			SC3040M200F		1376.00	1	QOM2200VH	200 A	30	40	10	200 A						
	225 A	None	OH★/UG	22 kA	SC3040M225F	1520.00	1	QOM2225VH	225 A	30	40	10	200 A					
	Surface Mount only																	
	100 A	None	OH◇	10 kA	SO1020M100S	295.00	1	HOM2100	100 A	10	20	10	80 A	A	6-1	14-4	20, 42	
	200 A	None	OH◇	22 kA	SO2040M200S	774.00	1	QOM2200VH	200 A	20	40	20	200 A●	A	6-350	8-2/0	43, 21	
	200 A	None	OH/UG	22 kA	SC3040M200S	1340.00	1	QOM2200VH	200 A	30	40	10	200 A	A-L	4-250	12-2/0	50, 10	
					SC40M200S	1621.00	1	QOM2200VH	200 A	40	40	0	200 A					
	REVERSE All-In-One - Semiflush Mount with Service Disconnect (outdoor access) and Load Center (indoor access)																	
	200 A	None	UG	10 kA	SU3040M200R	1482.00	1	QOM2200VH	200 A	30	40	10	200 A	A or B300	6-300	12-1/0	60, 15	
	225 A	None	UG	10 kA	SU3040M225R	1764.00	1	QOM2225VH	225 A									
Surface Mount and Semiflush Mount																		
300 A	None	UG	25 kA	SU3040D300CN△□	4400.00	1	QDL22200	200 A	30	40	10	200 A	A-L	(2) Studs	4-250	100, 4		
300 A	Class 320 Manual Bypass	UG◇	25 kA	SU3040D300CB△□	4400.00	1	QDL22200	200 A	30	40	10	200 A	A-L	(2) Studs	4-250	100, 4		
				SU3040D300FB△□	4531.00	1	QDL, QGL, QJL*▼	100 A	—	—	—	—						
400 A	None	UG	25 kA	SU3040D400CN△□	4700.00	1	QDL22200	200 A	30	40	10	200 A	A-L	(2) Studs	4-250	100, 4		
				SU3040D400FN△□	4831.00	1	QDL, QGL, QJL*▼	200 A	—	—	—	—						
400 A	Class 320 Manual Bypass	UG◇	25 kA	SU3040D400CB△□	4778.00	1	QDL22200	200 A	30	40	10	200 A	A-L	(2) Studs	4-250	100, 4		
				SU3040D400FB△□	4909.00	1	QDL, QGL, QJL*▼	200 A	—	—	—	—						
Ringless Homeline																		
Surface Mount Only																		
100 A	None	OH/UG◇	10 kA	RC1624M100S	496.00	1	HOM2100	100 A	16	24	8	100 A	A	6-2/0	6-2/0	32, 24		
125 A	None	OH/UG◇	10 kA	RC1624M125S	1012.00	1	HOM2125	125 A	16	24	8	125 A▲						
125 A	Horn	OH/UG◇	22 kA	RC2040M125CH*▼	1067.00	1	QOM2125VH	125 A	20	40	20	100 A	A	6-350	12-2/0	40, 21		
150 A	Horn	OH/UG◇	22 kA	RC2040M150CH*▼	1142.00	1	QOM2150VH	150 A	20	40	20	150 A●						
200 A	None	OH/UG◇	22 kA	RC2040M200C*★	1142.00	1	QOM2200VH	200 A	20	40	20	200 A●	A-L	4-250	12-2/0	100, 4		
	Horn	OH/UG◇	22 kA	RC2040M200CH*▼	1142.00	1	QOM2200VH	200 A	20	40	20	200 A●						
Surface Mount and Semiflush Mount																		
400 A	Class 320 Lever	UG◇	25 kA	RU3040D400CL△●	4662.00	1	QDL22200	200 A	30	40	10	200 A	A-L	(2) Studs	4-250	100, 4		
				RU3040D400FL△●	4793.00	1	QDL, QGL, QJL*▼	200 A	—	—	—	—						
400 A	K-4 Bolt-On None	UG	25 kA	RU3040D400CK△	4662.00	1	QDL22200	200 A	30	40	10	200 A	A-L	(2) Studs	4-250	100, 4		
				RU3040D400FK△	4793.00	1	QDL, QGL, QJL*▼	200 A	—	—	—	—						
Ringless QO																		
Surface Mount Only																		
150 A	Horn	OH/UG◇	22 kA	QC2442M150CH*▼	1270.00	1	QOM2150VH	150 A	24	42	18	150 A●	A	6-350	8-2/0	40, 21		
200 A	None	OH/UG◇	22 kA	QC2442M200C*★	1270.00	1	QOM2200VH	200 A	24	42	18	200 A●						
		Horn	OH/UG◇	22 kA	QC2442M200CH*▼	1270.00	1	QOM2200VH	200 A	24	42	18	200 A●					

▲ 125 A Homeline® 2P circuit breaker can be installed in top position only. All other positions are limited to 100 A max.
 ■ Convertible to semiflush with SC200F flange kit (order separately).
 ♦ Suitable for OH service with addition of tunnel kit (SCTK20). Order separately.
 ★ Suitable for OH service with addition of tunnel kit (SCTK30). Order separately.
 ▼ UL short circuit current rating is equal to the lowest interrupting rating of any circuit breaker installed.
 △ Knockout provided in cover for use with barrel lock kit, order Cat. No. SCBRLOCK (see Accessories page 1-20).
 □ For use only on 120/240 Vac, 1Ø3W system (4-jaw meter socket).
 ◇ Device does not meet EUSERC Specifications.
 ☆ Device supplied with barrel lock provisions factory-installed.
 ▼ Supplied with horn bypass and 5th jaw factory-installed.
 ● 5th jaw factory-installed.
 * Additional service disconnect for field-installation, order prefix QBL at 10 kA, QDL at 25 kA, QGL at 65 kA or QJL at 100 kA. Order separately. For complete circuit breaker Cat. No., see Section 7.
 ◇ Use only 15-100 A and 150 A circuit breakers.
 ● Use only 15-100 A and 150-200 A circuit breakers.
 ● Use only 15-110 A and 150-200 A circuit breakers.
 ■ For 400 A device with suffix CN, CB, CL and CK are surface mount, convertible to semiflush with FK400 flange kit (order kit separately). Devices with suffix FB, FN, FL and FK are semiflush only with the top endwall factory installed and flanges factory included.

LOAD CENTERS

1



LOAD CENTERS

Table 1.54: Circuit Breakers for use with Meter Mains and All-In-One devices

Ampere Rating ▲	Type: HOM, 1P		Type: HOM, 2P		Type: QO, 1P		Type: QO, 2P		Type: QO-VH, 1P		Type: QO-VH, 2P	
	Cat. No. (DE3D)	\$ Price	Cat. No. (DE3D)	\$ Price	Cat. No. (DE2A)	\$ Price	Cat. No. (DE2A)	\$ Price	Cat. No. (DE2A)	\$ Price	Cat. No. (DE2A)	\$ Price
10	—	—	—	—	QO110	19.40	—	—	—	—	—	—
15	HOM115	17.50	—	—	QO115	19.40	—	—	QO115VH	42.30	—	—
20	HOM120	17.50	—	—	QO120	19.40	—	—	QO120VH	42.30	—	—
25	HOM125	17.50	—	—	QO125	19.40	—	—	QO125VH	48.50	—	—
30	HOM130	17.50	HOM230	40.30	QO130	19.40	QO230	44.70	QO130VH	48.50	QO230VH	97.00
35	—	—	HOM235	40.30	QO135	19.40	QO235	44.70	—	—	—	—
40	HOM140	17.50	HOM240	40.30	QO140	19.40	QO240	44.70	—	—	QO240VH	97.00
45	—	—	HOM245	40.30	QO145	19.40	QO245	44.70	—	—	—	—
50	HOM150	17.50	HOM250	40.30	QO150	19.40	QO250	44.70	—	—	QO250VH	97.00
60	—	—	HOM260	40.30	QO160	19.40	QO260	44.70	—	—	QO260VH	97.00
70	—	—	HOM270	82.00	QO170	44.70	QO270	89.00	—	—	QO270VH	149.00
80	—	—	HOM280	112.00	—	—	QO280	126.00	—	—	QO280VH	210.00
90	—	—	HOM290	112.00	—	—	QO290	126.00	—	—	QO290VH	210.00
100	—	—	HOM2100	112.00	—	—	QO2100	126.00	—	—	QO2100VH	210.00
110	—	—	HOM2110	246.00	—	—	QO2110	285.00	—	—	QO2110VH	689.00
125	—	—	HOM2125	246.00	—	—	QO2125	285.00	—	—	QO2125VH	689.00
150	—	—	HOM2150BB	285.00	—	—	QO2150	327.00	—	—	QO2150VH	707.00
175	—	—	HOM2175BB	285.00	—	—	QO2175	327.00	—	—	QO2175VH	707.00
200	—	—	HOM2200BB	285.00	—	—	QO2200	327.00	—	—	QO2200VH	707.00

Ampere Rating ▲	Type: QOM1-VH, 2P		Type: QOM2-VH, 2P		Type: QDL, 2P ♦	
	Cat. No. (DE3D)	\$ Price	Cat. No. (DE3D)	\$ Price	Cat. No. (DE2A)	\$ Price
50	QOM50VH	93.00	—	—	—	—
60	QOM60VH	93.00	—	—	—	—
70	QOM70VH	93.00	—	—	QDL22070	762.00
80	QOM80VH	134.00	—	—	QDL22080	762.00
90	QOM90VH	134.00	—	—	QDL22090	762.00
100	QOM100VH	134.00	QOM2100VH	312.00	QDL22100	762.00
110	QOM110VH	312.00	—	—	QDL22110	762.00
125	QOM125VH	312.00	QOM2125VH	312.00	QDL22125	762.00
150	—	—	QOM2150VH	312.00	QDL22150	762.00
175	—	—	QOM2175VH	312.00	QDL22175	762.00
200	—	—	QOM2200VH	312.00	QDL22200	762.00
225	—	—	QOM2225VH	312.00	—	—

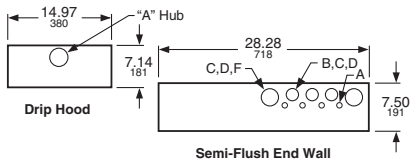
- ▲ Do not exceed mains rating of device
- Reference National Electrical Code Article 230-79.
- ♦ For additional interrupting rating circuit breakers, order circuit breaker prefix QBL at 10 kA, QGL at 65 kA or QJL at 100 kA.

Table 1.55: Accessories, Hubs and Closing Plates

Accessories		Description	Cat. No.	\$ Price	Disc. Sch.
Generator Kit: Interlocks main service disconnect and generator circuit breaker (order separately). For:					
•	Homeline® CSED Devices RC816F-, RC2040M-, SO2040M-	RCGK2	163.00	DE3A	
•	QO CSED Devices QC816F-, QC2442M-	QCCK3	163.00	DE3A	
Fifth Jaw Kit for: Meter Main Types: C, RC, SC, QC All-In-One Types: SC, SU (100–225 A), QC, RC, SO		5J	12.20	DE3A	
Bypass (Horn Type) for Ringless Type Meter Mains and All-In-Ones (100–200 A) (except for RC200S and RC2M200S)		RCHB2	61.00	DE3A	
Lexan Meter Socket Cover Plate for:					
•	Ring and Ringless Type Meter Mains	29007	6.70	DE4	
•	Ring and Ringless Type All-In-Ones				
Meter Socket Sealing Rings for Ring Type Meter Mains and All-In-Ones:					
•	Snap Type Aluminum (Std.)	2920910001	5.30	DE5	
•	Screw Type Aluminum	29008W	13.40	DE4	
•	Snap Type Stainless Steel	ARP00026	11.10	DE4	
Anti-Inversion Kit . For use ONLY on 400 A Meter Mains and All-In-Ones with lever bypass.		MMLRK	8.00	DE4	
Trim Kit for 2 in. X 6 in. stud wall, used with Reverse All-In-Ones, SU3040M200R, and SU3040M225R		SU2X6TRIM	177.00	DE3A	
Barrel Lock Kit (Barrel Lock not included), supplied with bracket and mounting screw, refer to listings for where used.		SCBRLLOCK	35.30	DE3A	
Semiflush Flange Kit for: Meter Mains: SC816D150/200C and RC816D200CH All-In-Ones: SC2040M200C		SC200F	21.20	DE3A	
Semiflush Flange Kit for ring- and ringless-type Meter Mains and All-In-Ones (400 A Only)		FK400	131.00	DE3A	
Ringless Type Utility Cover for RU3040D400CL/FL, QU12L400CL/FL, and QU816D400CL/FL. Includes one piece meter socket and pull box cover with handles and closing plate.		R400L	177.00	DE3A	
Lug Kit includes (4) lugs, for use with 2 AWG–600 kcmil Al/Cu conductors. Lugs are for standard 2-Hole mounting. Meter Main and All-In-One units supplied with (2) studs per phase and neutral will accept one lug per phase and neutral. Not for use on 400 A devices with "K" suffix.		CMEK4	91.00	DE4	
Overhead Feed Trough for 400 A ring- and ringless-type Meter Mains and All-In-Ones.		OCK400	378.00	DE3A	
3 in. Conduit Adapter Kit for 400 A ring- and ringless-type Meter Mains and All-In-Ones.		SU400PVCHA3	8.80	DE3A	
Touch-Up Paint (ASA49 Gray)		PK49SP	26.00	DE1	
Ground Bar Kit, Meter Mains and All-In-Ones QC, RC, and SC (100–225 A)		PK15GTA	11.40	DE3A	
Filler Plate for: Meter Main Types: QC, CU All-In-One Types: QC		QOFP	2.40	DE3A	
Filler Plate for: Meter Main Types: RC, SC All-In-One Types: SC, RC, SU		HOMFP	2.10	DE3A	
Neutral Lug (6-2/0 AWG) for: Meter Main Types: RC, SC, QC All-In-One Types: SC, SU, QC, RC		LK100AN	7.20	DE3A	

Hubs and Closing Plates				
Hub Series	Conduit Size (Inches)	Cat. No.	\$ Price	Disc. Sch.
Closing Plate for "A" Hub opening		ACP	8.90	DE4
A	1.00	A100	22.60	DE4
	1.25	A125	22.60	DE4
	1.50	A150	22.60	DE4
	2.00	A200	31.90	DE4
	2.50	A250	40.40	DE4
Adapter plate to allow use of "A" Hubs on "A-L" size hub openings		AAP	22.50	DE4
Closing Plate for "A-L" Hub opening		ACPL	12.20	DE4
A-L	2.00	A200L	55.00	DE4
	2.50	A250L	58.00	DE4
	3.00	A300L	74.00	DE4
	3.50	A350L	76.00	DE4
	4.00	A400L	79.00	DE4
Closing Plate for "B" Hub opening		BCAP	2.50	DE1A
B	0.75	B075	22.20	DE1A
	1.00	B100	22.20	DE1A
	1.25	B125	22.20	DE1A
	1.50	B150	22.20	DE1A
	2.00	B200	40.90	DE1A
	2.50	B250	68.00	DE1A
B300	3.00	B300	124.00	DE1A

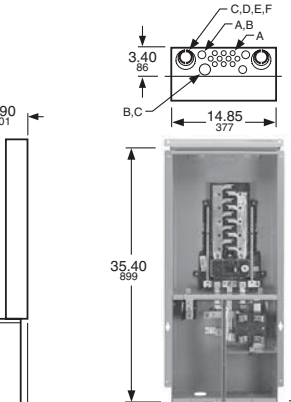
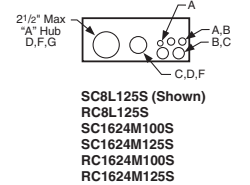
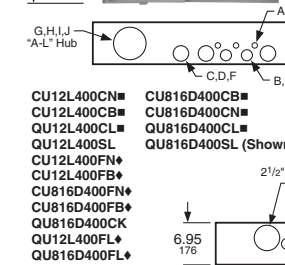
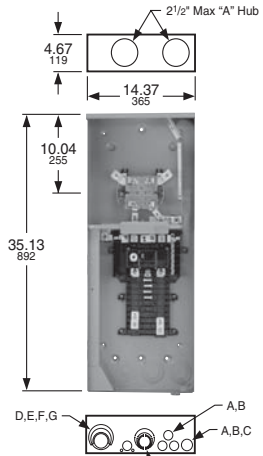
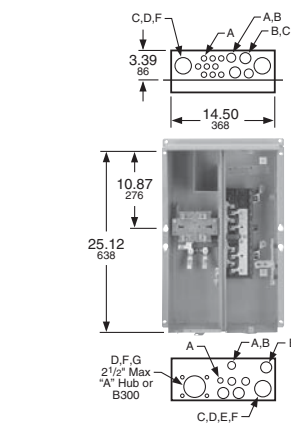
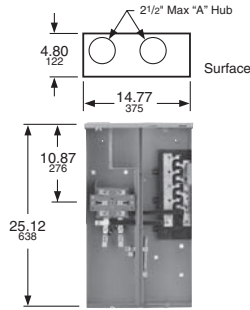
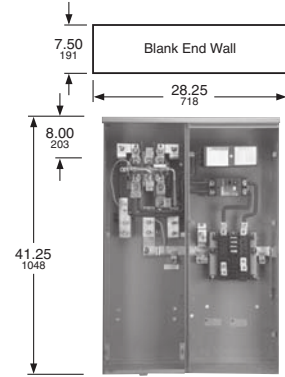
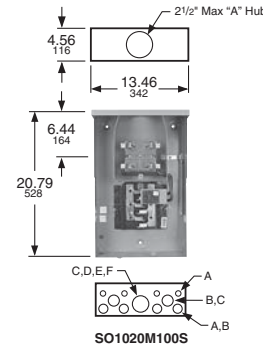
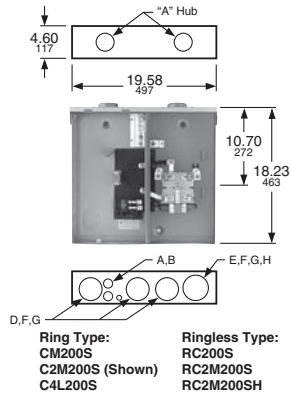
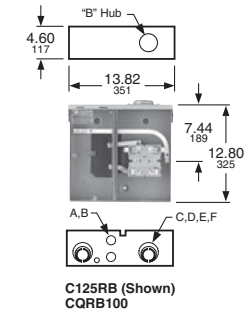
★ Supplied with AAP adapter plate and "A" hub.



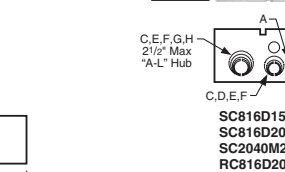
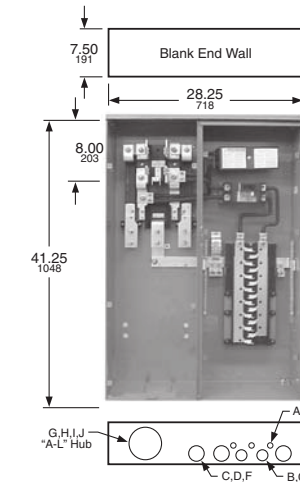
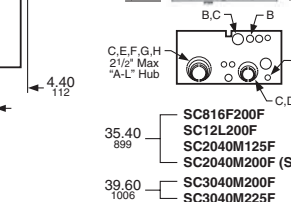
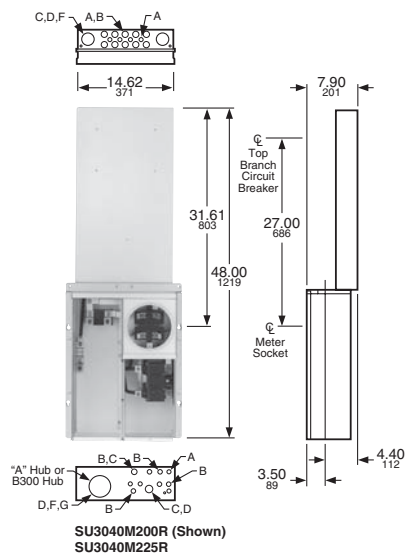
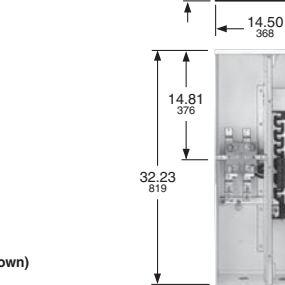
- ▲ Driphood supplied factory-installed and is required for surface mount installation. For semi-flush installation, remove driphood and install flange kit SC200F (order separately).
- Unit supplied with blank top endwall (factory-installed) for surface mount installation. For semi-flush installation, install flange kit FK400 (order separately). Kit includes replacement top endwall (with knockouts) and flanges.
- ◆ Unit supplied with semi-flush top endwall factory installed and semi-flush flanges factory included.

Table 1.56: Knockouts

Symbol	A	B	C	D	E	F	G	H	I	J
Conduit Size (in.)	1/2	3/4	1	1-1/4	1-1/2	2	2-1/2	3	3-1/2	4



- RC816F100CH, RC816F125CH, RC816F150C/CH, RC816F200C/CH, RC12L200C/CH, RC2040M125CH, RC2040M150CH, RC2040M200C/CH
- QC816F100CH, QC816F125C/CH, QC816F150C/CH (Shown), QC816F200C/CH, QC12L200C/CH, QC2442M150CH, QC2442M200C/CH, SO2040M200S



Enclosed Molded Case Switches—UL Listed

Table 1.57: Molded Case Switch Included. Does not provide overcurrent protection

Service	Ampere Rating	General Purpose		Rainproof		Box No. See Page 1-16, 1-17
		Cat. No.	\$ Price	Cat. No.	\$ Price	
240 Vac	60 A ▲	QO260NATS	107.00	QO200TR	107.00	2, 9R ◆
				QO260NATR	112.00	1R
120/240 Vac	100 A ★	QO2000NS	184.00	QO2000NRB	225.00	13, 10R

Table 1.58: Housing Bracket

Description	Cat. No.	\$ Price
Bracket used with QO200TR for stucco, aluminum and vinyl siding. Order quantity multiples of 10.	PKHB	2.10



QO2000NS



QO3100BNF
With Cover Removed

Enclosed GFCI Circuit Breakers—UL Listed

Table 1.59: 2P, 120/240 Vac, GFCI circuit breaker included, 10 k AIR

Service	Ampere Rating	Type 3R—Rainproof		Circuit Breaker Included	Box No. See Page 1-17
		Cat. No.	\$ Price		
120/240 Vac	50 A	QOE250GFIM HOME250SPA	352.00 315.00	QO250GFI HOM250GFI	1NM (Non-metallic) 1R (Metallic)

Circuit Breaker Enclosures—UL Listed

Table 1.60: 22 kA Short Circuit Current Rating.

Not for use with one pole QO circuit breakers. Circuit breakers not included. Order QO®, QO-GFI, QO-AFI, QO-EPD and QO-PL circuit breakers separately from pages 1-2 and 1-3. Accepts QO circuit breakers with factory-installed accessories. Order equipment ground bar PKOGTA2, if required.

Service	Ampere Rating	General Purpose ▼		Rainproof		Box No. See Page 1-16, 1-17
		Cat. No.	\$ Price	Cat. No.	\$ Price	
120/240 Vac	100 A 125 A	QO2100BNF/S	55.00	QO2100BNRB	90.00	13, 10R 18, 13R
		QO2125BNF/S	72.00	QO2125BNRB	105.00	
240 Vac	100 A	QO3100BNF/S	99.00	QO3100BNRB	138.00	13, 10R

Table 1.61: 10 kA Short Circuit Current Rating.

Circuit breaker not included. Order separately from page 1-2. Will not accept QO-GFI circuit breaker nor QO circuit breakers with factory-installed accessories.

Service	Ampere Rating	General Purpose	Rainproof	Box No. See Page 1-16, 1-17
240 Vac	60 A ▲	—	QO2TR	9R ◆

Table 1.62: Q Frame Enclosures and Q Frame Circuit Breakers—UL Listed

Service	Enclosure Only □				Ampere Rating	Circuit Breaker (Order Separately)							
	Type 1—General Purpose ▼		Type 3R—Rainproof			10 k AIR	25 k AIR		65 k AIR		100 k AIR		
	Cat. No.	\$ Price	Cat. No.	\$ Price			Cat. No.	\$ Price	Cat. No.	\$ Price	Cat. No.	\$ Price	
2P 240 Vac Maximum	Q22200NS ◆ or Q23225NF/S	117.00 145.00	Q22200NRB ◆ or Q23225NRB	253.00 278.00	70 A	QBL22070	316.00	QDL22070	762.00	QGL22070	1014.00	QJL22070	1260.00
					80 A	QBL22080	316.00	QDL22080	762.00	QGL22080	1014.00	QJL22080	1260.00
					90 A	QBL22090	316.00	QDL22090	762.00	QGL22090	1014.00	QJL22090	1260.00
					100 A	QBL22100	316.00	QDL22100	762.00	QGL22100	1014.00	QJL22100	1260.00
					110 A	QBL22110	316.00	QDL22110	762.00	QGL22110	1014.00	QJL22110	1260.00
					125 A	QBL22125	316.00	QDL22125	762.00	QGL22125	1014.00	QJL22125	1260.00
					150 A	QBL22150	316.00	QDL22150	762.00	QGL22150	1014.00	QJL22150	1260.00
					175 A	QBL22175	316.00	QDL22175	762.00	QGL22175	1014.00	QJL22175	1260.00
					200 A	QBL22200	316.00	QDL22200	762.00	QGL22200	1014.00	QJL22200	1260.00
					225 A	QBL22225	316.00	QDL22225	762.00	QGL22225	1014.00	QJL22225	1260.00
3P 240 Vac	Q23225NF/S	145.00	Q23225NRB	278.00	70 A	QBL32070	832.00	QDL32070	1189.00	QGL32070	1628.00	QJL32070 ▽	1864.00
					80 A	QBL32080	832.00	QDL32080	1189.00	QGL32080	1628.00	QJL32080 ▽	1864.00
					90 A	QBL32090	832.00	QDL32090	1189.00	QGL32090	1628.00	QJL32090 ▽	1864.00
					100 A	QBL32100	832.00	QDL32100	1189.00	QGL32100	1628.00	QJL32100 ▽	1864.00
					110 A	QBL32110	832.00	QDL32110	1189.00	QGL32110	1628.00	QJL32110 ▽	1864.00
					125 A	QBL32125	832.00	QDL32125	1189.00	QGL32125	1628.00	QJL32125 ▽	1864.00
					150 A	QBL32150	832.00	QDL32150	1189.00	QGL32150	1628.00	QJL32150 ▽	1864.00
					175 A	QBL32175	832.00	QDL32175	1189.00	QGL32175	1628.00	QJL32175 ▽	1864.00
					200 A	QBL32200	832.00	QDL32200	1189.00	QGL32200	1628.00	QJL32200 ▽	1864.00
					225 A	QBL32225	832.00	QDL32225	1189.00	QGL32225	1628.00	QJL32225 ▽	1864.00

Table 1.63: QOM2 Enclosures and QOM2 Circuit Breakers—UL Listed

Service	Enclosure Only △				Box No. See Pages 1-16, 1-17	QOM2 Circuit Breaker (Order Separately) ☆		
	Type 1 General Purpose ▼		Type 3R Rainproof			Ampere Rating	22 k AIR	
	Cat. No.	\$ Price	Cat. No.	\$ Price			Cat. No. ◆	\$ Price
2P 240 Vac Maximum	QOM2225NF/S	156.00	QOM2225NRB	293.00	22, 16R	100 A 125 A 150 A 175 A 200 A 225 A	QOM2100VH QOM2125VH QOM2150VH QOM2175VH QOM2200VH QOM2225VH	312.00 312.00 312.00 312.00 312.00 312.00

- ▲ Not suitable for service equipment.
- ◆ Maximum 10 hp 240 Vac.
- ◆ Top endwall has no hub opening.
- ★ Maximum 20 hp 240 Vac.
- ▽ Order F for flush, S for surface.
- △ Equipment ground bar kit PKOGTA2 factory-included.
- Factory-installed groundable neutral assembly includes (2) ground lugs and (2) neutral lugs. Equipment ground kit PKOGTA2 also included.
- ◇ Accepts 200 A max. 2P Q Frame circuit breakers.
- ☆ Add suffix 1021 for 120, 208 or 240 Vac shunt trip. Add \$126.
- ▽ When these 3P circuit breakers are mounted in an enclosure, the maximum AIR rating is 65 kA at 240 Vac and 100 kA at 208 Vac.
- DE3A Discount Schedule.



QOM2225NS
With Cover Removed



Q22200NS
With Cover Removed
(Order Q Frame circuit breaker separately)



Q23225NF



QO200TR



QO200TRNM



PKHB
Housing
Bracket



FP221R

Table 1.64: Not Fusible Air Conditioning Disconnect—Molded Case Switch

Rainproof—UL Listed

Service	Ampere Rating ▲	Metallic		Non-metallic		Max. Hp
		Cat. No.	\$ Price	Cat. No.	\$ Price	
2 Wire (Molded Case Switch Included)—240 Vac Maximum						
	60 A	QO200TR	107.00	QO200TRNM	127.00	10

Table 1.65: Housing Bracket

Description	Cat. No.	\$ Price
Bracket used with QO200TR for stucco, aluminum and vinyl siding. Order quantity multiples of 10.	PKHB	2.10

Table 1.66: Non-Fusible Air Conditioning Disconnect—Pullout

Rainproof—UL Listed

Service	Ampere Rating ▲	Metallic		Non-metallic		Max. Hp
		Cat. No.	\$ Price	Cat. No.	\$ Price	
2 Wire—240 Vac Maximum						
	60 A	UFP222R	113.00	UFP222RNM	127.00	10

New!

2 Wire—240 Vac Maximum—with 20 A GFI receptacle						
	60 A	UFP222RGFI	303.00	—	—	10

New!

2 Wire—240 Vac Maximum—with 20 A duplex receptacle						
	60 A	UFP222RD	173.00	—	—	10

Table 1.67: Fusible Air Conditioning Disconnect—Pullout

Rainproof—UL Listed

Service	Ampere Rating ■	Metallic		Non-metallic		Max. Hp
		Cat. No.	\$ Price	Cat. No.	\$ Price	
2 Wire (Pullout and Fuseholder)—240 Vac Maximum						
	30 A	FP221R	107.00	FP221RNM	127.00	3
	60 A	FP222R	107.00	FP222RNM	127.00	10

Note: Suitable for use as service equipment on 120/240 Vac 1Ø3 wire services if used only on a 1Ø2 wire load; and only when the equipment grounding terminal is replaced with ground terminal kit PK3GTA1. Price \$7.60.

Table 1.68: Box Dimensions

Cat. No.	H		W		D	
	in.	mm	in.	mm	in.	mm
QO200TR	6.50	165	4.63	117	3.88	98
QO200TRNM	8.75	222	6.50	165	3.88	98
UFP222R	7.50	191	5.25	133	3.25	83
UFP222RNM	8.75	222	6.50	165	3.88	98
FP221R	7.50	191	5.25	133	3.25	83
FP221RNM	8.75	222	6.50	165	3.88	98
FP222R	8.88	225	5.25	133	3.25	83
FP222RNM	8.75	222	6.50	165	3.88	98

- ▲ Does not contain overcurrent protection. Suitable for use on systems with up to 10 kA available fault current at 240 Vac max when protected by a fuse or circuit breaker rated 60 A or less.
- Suitable for use on systems with up to 10 kA available fault current at 240 Vac.

For Construction Sites

- Provide temporary power at construction sites.
- Each receptacle protected by QO-GFI circuit breaker in compliance with NEC® requirements.
- Each enclosure is rainproof.
- 10 kA short circuit current rating.
- UL Listed as suitable for use as temporary site service equipment.
- Provided with neutral bonding provisions.
- Boxes have provisions for type "B" hubs to be field-installed.

Table 1.69: Construction Site Panels

Power Outlet Configuration	Service ▲	Mains Ampere Rating	Circuit Breaker (Included)	Receptacles (Included)						Cat. No. ♦	\$ Price	Main Wire Size AWG ★	
				A	C	D	E	F	Cu			Al	
1C	1Ø2W	40 A	(1) QO120GFI	1					PAK10C1	294.00	14-6	12-6	
2C	1Ø2W	40 A	(2) QO120GFI	2					PAK11C▼	545.00	14-6	12-6	
2C	1Ø2W	40 A	(2) QO120GFI	2					PAK11C1	545.00	14-6	12-6	
3C	1Ø3W	70 A	(1) QO120GFI (1) QO230GFI	1			1		PAK31CGFI	649.00	8-1	8-1	
4C	1Ø3W	70 A	(1) QO120GFI (1) QO220GFI	1		1			PAK36C1GFI	649.00	8-1	8-1	
5C	1Ø3W	70 A	(1) QO120GFI (1) QO250GFI	1			1		PAK51CGFI	649.00	8-1	8-1	
6C	1Ø3W	70 A	(1) QO120GFI (1) QO250GFI	1	1				PAK55CGFI	649.00	8-1	8-1	
7C	1Ø3W	70 A	(2) QO120GFI (1) QO220GFI	2		1			PAK72CGFI	882.00	8-1	8-1	
8C	1Ø3W	70 A	(2) QO120GFI (1) QO250GFI	2	1				PAK76CGFI	882.00	8-1	8-1	
9C	1Ø3W	100 A	(1) QO120GFI (2) QO250GFI	1	2				PAK1004CGFI	1054.00	14-1	12-1	

For Recreational Vehicle Parks

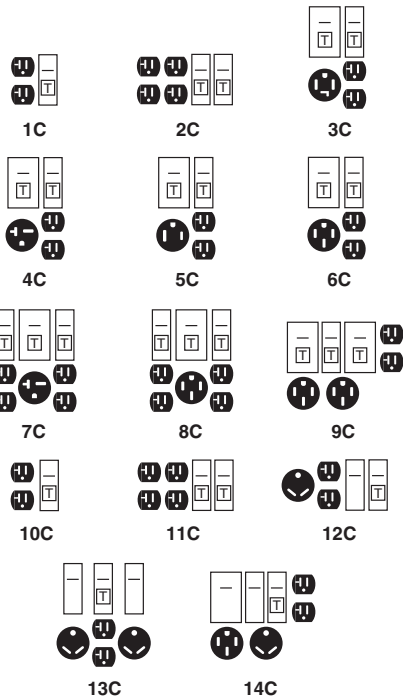
- Provide electrical power to individual recreational vehicle park sites.
- Each receptacle protected by appropriate GFI or Standard QO® circuit breaker.
- All receptacles and circuit breakers included.
- 10 kA short circuit current rating.
- UL Listed.
- All enclosures are rainproof.
- No neutral bonding provisions.
- Loop-feed provisions.

Table 1.70: Recreational Vehicle Park Panels

Power Outlet Configuration	Service ▲	Mains Ampere Rating	Circuit Breaker (Included)	Receptacles (Included) ■			Cat. No.	\$ Price	Main Wire Size AWG/kcmil Δ	
				A	B	C			Phase and Neutral	Al
Underground or Overhead Loop-Feed Terminals—Non-Pedestal ♦ □										
10C	1Ø2W	40 A	(1) QO120GFI	1			PAK10CTG	313.00	14-6	12-6
11C	1Ø2W	40 A	(2) QO120GFI	2			PAK11CTG	530.00		
12C	1Ø2W	50 A	(1) QO120GFI (1) QO130	1	1		PAK41CTG ♦	376.00		
13C	1Ø2W	75 A	(1) QO120GFI (2) QO130	1	2		PAK61CTG ♦	435.00	14-1	12-1
14C	1Ø3W	100 A	(1) QO120GFI (1) QO250 (1) QO130	1	1	1	PAK75CTG (Not Loop Feed) ♦	446.00		
Pedestal Mounted—Underground Loop-Feed Terminals ★ ▽										
11C	1Ø2W	40 A	(2) QO120GFI	2			PAK11PG	690.00	(2)6-250	(2)6-250
12C	1Ø2W	50 A	(1) QO120GFI (1) QO130	1	1		PAK41PG ♦	568.00		
13C	1Ø2W	75 A	(1) QO120GFI (2) QO130	1	2		PAK61PG ♦	609.00		
14C	1Ø3W	100 A	(1) QO120GFI (1) QO250 (1) QO130	1	1	1	PAK75PG ♦	671.00		

- ▲ (1Ø2W 120 Vac) (1Ø3W 120/240 Vac)
- 20 A receptacles protected by 20 A GFI circuit breaker.
- ◆ Devices have a bolt-on factory-installed closing cap. Order type "B" bolt-on hub separately from page 1-17.
- ★ Equipment ground terminal suitable for (2) 14 or 12 AWG Cu or (2) 12 or 10 AWG Al.
- ▼ Receptacles in this device are in bottom endwall and are accessible with outer door padlocked. "Order Only" from Lexington—Minimum order quantity is 50 devices.
- Δ Two wires each per phase, neutral, and equipment ground—for loop feed (except PAK75CTG).
- Equipment ground terminal suitable for (2) 14-12 AWG Cu or (2) 12-10 Al.
- ♦ GFI circuit breaker can be substituted for standard 30 A circuit breaker. For 30 ampere receptacles add \$140.00 per circuit breaker. Add suffix "FI" to catalog number. Example: PAK41CTGFI.
- ★ Stabilizer foot available for use in unstable ground, order HNPSF \$27.50 list.
- ▽ Equipment ground terminals suitable for (2) 10-2/0 AWG Cu or (2) 6-2/0 AWG Al.

LOAD CENTERS



- A** 20 A 125 V 2W and Grd. NEMA 5-20R
- B** 30 A 125 V 2W and Grd. ANSI 73.13
- C** 50 A 125/250 V 3W and Grd. NEMA 14-50R
- D** 20 A 250 V 2W and Grd. NEMA 6-20R
- E** 30 A 125/250 V 3W and Grd. NEMA 14-30R
- F** 50 A 250 V 2W and Grd. NEMA 6-50R

All non-pedestal devices have provisions to field-install a Type "B" hub on the bottom endwall for bottom feed from a conduit riser. Order Type "B" bolt-on hub (B250 Max.) and two mounting screws (Cat. No. 8002505501) and two hex nuts (Cat. No. 2340102000).