



The ideal fixture for any accent lighting application, Bullytes are designed with an attractive, contemporary appearance in mind. They offer clean lines with durable die cast construction. A tempered glass lens ensures trouble-free operation. Finishes include hand rubbed verde, bronze, sienna, granite or black thermoset powder coat. Shrouds are fully rotatable.

8-3/4" (222mm) 1/2" (13mm) N.P.T. fitter



B4-A Black
B4-G Verde
B4-H Bronze
B4-U Sienna
B4-W Granite
● 120 Volt
• 300 watt maximum
• PAR38/R40 Lamp
• Shrouds optional, order on page 17



B3-A Black
B3-G Verde
B3-H Bronze
B3-U Sienna
B3-W Granite
● 120 Volt
• Clear Tempered Lens
• 100 watt maximum
• R / PAR30 Lamp

BL3-A Black
BL3-G Verde
BL3-H Bronze
BL3-U Sienna
BL3-W Granite
● 12 Volt
• Clear Tempered Lens
• 75 watt maximum
• MR16 Lamp



BL36-A Black
BL36-G Verde
BL36-H Bronze
BL36-U Sienna
BL36-W Granite
● 12 Volt
• 50 watt maximum
• PAR36 lamp

BL36S4-AL Black
BL36S4-GL Verde
BL36S4-HL Bronze
BL36S4-UL Sienna
BL36S4-WL Granite
● 12 Volt
• Includes stake & lamp
• 25 watt maximum
• PAR36 Lamp (included)

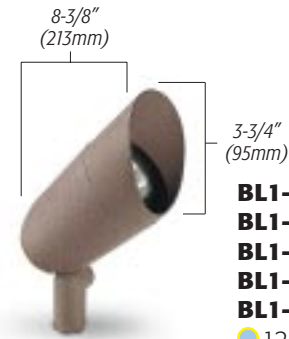


B1-A Black
B1-G Verde
B1-H Bronze
B1-U Sienna
B1-W Granite
● 120 Volt
• 50 watt maximum
• PAR/R20 Lamp

6-3/8" (162mm) 3-3/4" (95mm) 1/2" (13mm) N.P.T. fitter



BL1-AS Black, Short Shroud
BL1-GS Verde, Short Shroud
BL1-HS Bronze, Short Shroud
BL1-US Sienna, Short Shroud
BL1-WS Granite, Short Shroud
● 12 Volt
• Clear Tempered Lens
• 75 watt maximum
• MR16 Lamp



BL1-AL Black, Long Shroud
BL1-GL Verde, Long Shroud
BL1-HL Bronze, Long Shroud
BL1-UL Sienna, Long Shroud
BL1-WL Granite, Long Shroud
● 12 Volt
• Clear Tempered Lens
• 75 watt maximum
• MR16 Lamp

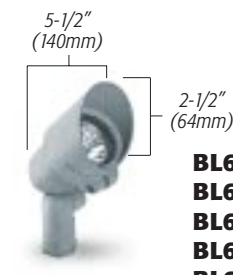


BL711-A Black
BL711-G Verde
BL711-H Bronze
● 12 Volt
• Clear Tempered Lens
• 35 watt maximum (MR11 Lamp)
• 20 watt maximum (T3 halogen)

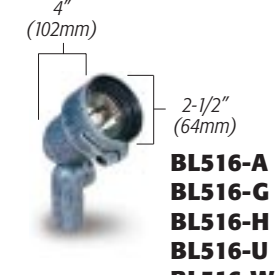
BL711-U Sienna
BL711-W Granite



BL756-A Black
BL756-G Verde
BL756-H Bronze
BL756-U Sienna
BL756-W Granite
● 12 Volt
• Clear Tempered Lens
• 27 watt maximum
• 1156 Lamp (included)



BL616-A Black
BL616-G Verde
BL616-H Bronze
BL616-U Sienna
BL616-W Granite
● 12 Volt
• Clear Tempered Lens
• 50 watt maximum
• MR16 Lamp



BL516-A Black
BL516-G Verde
BL516-H Bronze
BL516-U Sienna
BL516-W Granite
● 12 Volt
• Clear Tempered Lens
• 50 watt maximum
• MR16 Lamp

Accessories

Lenses for BL516, BL616



MLB1 **MLS1**

Ordering Chart for Optional Lenses

Catalog No.	Description
MGM1	Louver
MLB1	Ice Blue Lens
MLS1	Spread Lens

Louvers for B1, BL1, B3, B4



ML1 **ML3 / ML4**

Ordering Chart for Optional Louvers

Catalog No.	Description
ML1	Louver for B1, BL1
ML3	Louver for B3, BL3
ML4	Louver for B4

Shrouds for B1, BL1, B4



4HLO **1ALO** **4ASO** **1HSC**
Cast aluminum with molded gaskets. Fully rotatable. Choice of tempered lenses. Must be used with "R" lamps.

Ordering Chart for Optional Shrouds

Size	Finish	Shielding	Lens
1=Small (B1)	A=Black, G=Verde	S=Short	O=Flat/Clear
4=Large (B4)	H=Bronze, U=Sienna	L=Long	C=Convex Clear
	W=Granite		B=Convex Ice Blue

Example: **4HLO** = Large, Bronze, Long Shroud with Flat Clear Lens.

Features

Housing- Die cast aluminum with fully adjustable swivel arm with vibration-proof locking teeth.

Finish- Hand rubbed verde, bronze, black, sienna or granite thermoset powder coat.

Sockets- BL711, BL516, BL616 are bi-pin type. BL756 is single contact bayonet. BL36 is double screw terminals. B1 and B4 are porcelain medium base.

Lens- Micro Bullytes have tempered glass lenses. BL36 has no lens. B3, BL3, clear tempered glass affixed at a 10° angle for natural cleaning. B1

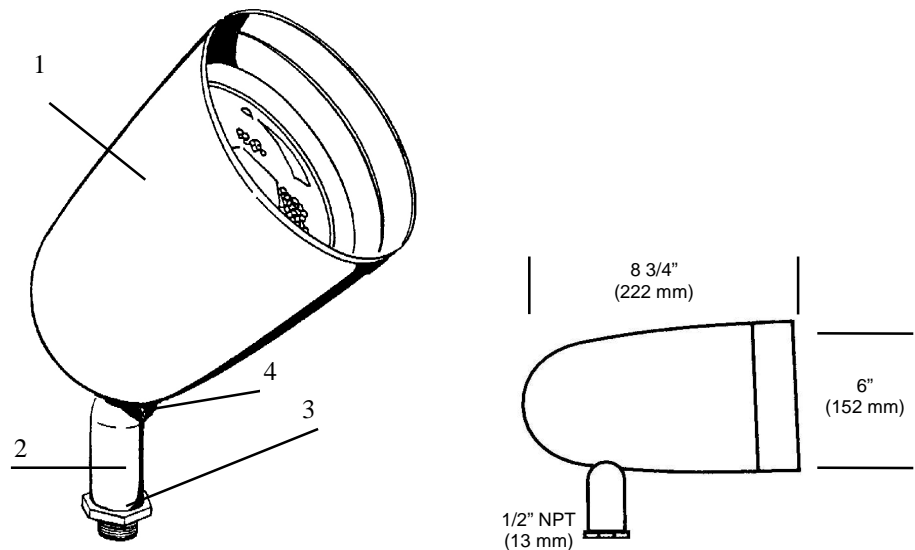
and B4 have lens provided with optional shrouds only.

Shrouds- BL516, BL616, BL711, BL756, BL1, B3, BL3, BL36 are fully rotatable, gasketed, cast aluminum. B1 and B4 are optional, see accessories above.

Wiring- Incandescent fixtures are prewired with high temperature #18 wire. Low voltage fixtures are prewired with a 3 foot pigtail and a quick connector for easy hook-up to the supply cable.

UL, cUL Listed.

**CATALOG # B4
SPECIFICATIONS:**

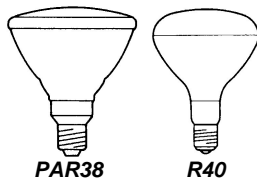


Construction- Body (#1), locknut (#3), and fully rotatable mounting arm with locking teeth (#2) are all die cast aluminum. Fasteners (#4) are 300 series stainless steel.

Note: The mounting arm has 1/2" NPT male threads to screw on to accessory mounting stake or junction box, sold separately.

Finish- Black (A), bronze (H), sienna (U) and granite (W) finishes are thermoset powder coat. Verde (G) is handrubbed over the black powder coat. Finish suffix must be added to complete the catalog number.

Electrical- U.L. & cU.L. listed for wet location. Socket is porcelain medium base. Fixture is 120 volt, prewired with high temperature #18 wire.



Lamp Data- 300 watt maximum PAR38/R40 lamp, not included. Lower wattage PAR38/R40 lamps are acceptable. 175 watt maximum mercury vapor or metal halide PAR38/R40 lamp available, but must use shroud and remote ballast, sold separately.

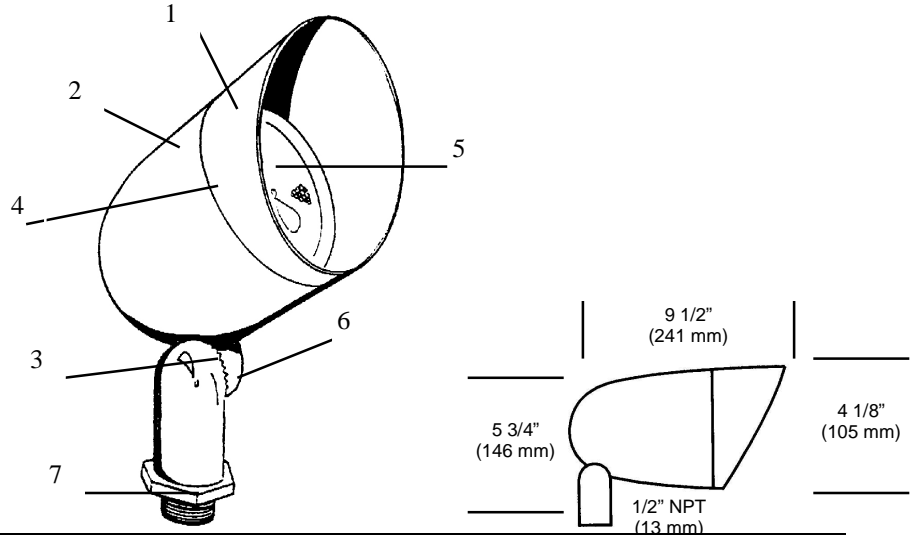
Accessories- Large (4) long shroud (L) or short shroud (S), in black (A) or Bronze (H) finish, optional. Choice of flat clear (O), convex clear (C), or convex ice blue (B) tempered lens. Cut off louver (ML4) snaps inside lens on existing shroud.

Submittal Approved by: _____ Company: _____
Date: _____



JOB NAME _____
TYPE _____

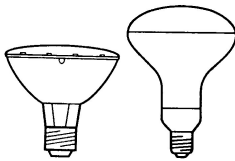
**CATALOG # B3
SPECIFICATIONS:**



Construction- Rotatable shroud (#1), body (#2), locknut (#7), and fully adjustable mounting arm with locking teeth (#3) are cast aluminum. O-ring gaskets (#4) are silicone. Lens (#5) is tempered glass, affixed at a 10 degree angle. Fasteners (#6) are 300 series stainless steel.
 Note: The mounting arm has 1/2" NPT male threads to screw on to accessory mounting stake or junction box, sold separately.

Finish- Black (A), bronze (H), sienna (U), or granite (W) finishes are thermoset powder coat. Verde finish (G) is hand-rubbed over the black powder coat. Finish suffix must be added to complete the catalog number.

Electrical- U.L. & cU.L. listed for wet location. Socket is porcelain medium base. Fixture is 120 volt, prewired with high temperature #18 wire.



PAR30

R30

Lamp Data- 100 watt maximum PAR/R30 lamp, not included. Lower wattage incandescent PAR/R30 lamps are acceptable. 100W maximum PAR30 MH or MV acceptable with remote ballast (not included).

Accessories- Cut off louver (ML3) fits inside lens on existing shroud.

Submittal Approved by: _____ **Company:** _____
Date: _____

