

CHAPTER 1

Mild Steel

CHAPTER CONTENTS

HINGE-COVER

Continuous Hinge with Quarter-Turn Fast Latch, Type 4	4
Continuous Hinge with Clamps, Type 4	6
Continuous Hinge with Clamps, Type 12	8
Continuous Hinge with Clamps, EMC, Type 12	10
Continuous Hinge with Flange Trough Collar, Type 12	12
Continuous Hinge with Quick-Release Latches, Type 12	14

SCREW-COVER

Screw Cover, Contoured, Type 4	16
Screw Cover, Type 12	18

CLAMP-COVER

Clamp Cover, Type 4	20
Lift-Off-Cover, Type 12	22

DRAWN ENCLOSURES AND ACCESSORIES

Flat and Dome Cover, Contoured, Type 4	24
Hinged Cover, Contoured, Type 12	26
Handle Kit	27
Mounting-Bracket Kits	27
Hinged Cover, Contoured with Quick-Release Latch, Type 12	28

CONSOLETS

Consoles	30
----------	----

PUSHBUTTON ENCLOSURES

Drawn Pushbutton Enclosures, Type 4	32
Sloped-Front 30.5-mm and 22.5-mm Pushbutton Enclosures, Type 12	34
Extra-Large 30.5-mm and 22.5-mm Pushbutton Enclosures with Panels, Type 12	36
Extra-Deep 30.5-mm and 22.5-mm Pushbutton Enclosures, Type 12	38
30.5-mm and 22.5-mm Pushbutton Enclosures, Type 12	40
Deep 22.5-mm Pushbutton Enclosures, Type 12	42

INLINE™ ENCLOSURES

INLINE™ Type 4	44
INLINE™ EMC, Type 1	48
INLINE™ Landscape, Type 4 and 12	52
Optional Components Selection Table	53

FUSION G7™ AND ACCESSORIES

FUSION G7™, Type 4, 12	54
Gland Plate	57
Front and Back Vertical Accessory Mounting Rails	58
Full-Height Back Panel	58
Half-Height Back Panel	59
Full-Height Side Panel	60
Half-Height Side Panel	61
Side-Mount Accessory Rail	61
Horizontal Separator	62
Padlock Inserts	62
Handles	63
Hinge Pin Kits	63
DIN Rail Mounting Adapter	63

100-mm Plinth Base	64
Aluminum Swing Panel	64
Full-Width Top and Bottom Mounting-Bracket Kits with Studs	65
Double-Bit Keys	65
Screw Package	65
Panel Mounting Brackets	65
FUSION G7™ Door Stop Kit	66
Lock Inserts	66
Mounting-Bracket Kits	66
Door Bars	66
Thermoplastic Data Pocket	67
VELCRO® Cable Wrap	67

CONCEPT™ WALL-MOUNT ENCLOSURES

CONCEPT™, Type 4 and 12	68
CONCEPT™ EMC, Type 4	78
CONCEPT™ Sloped-Top, Type 4	80

TYPE 12 WALL-MOUNT ENCLOSURES

Continuous Hinge with Clamps, Type 12	84
Continuous Hinge Two-Door with Handle, Type 12	88

TYPE 4 WALL-MOUNT ENCLOSURES

Continuous Hinge with Clamps, Type 4	90
Continuous Hinge with 3-Point Latch, Type 4	92

TYPE 1 FREE-STAND ENCLOSURES AND ACCESSORIES

Free-Stand, Type 1	94
Panels for Free-Stand Type 1 Large One-Door Enclosures	97
Panels for Free-Stand Type 1 Large Two-Door Enclosures	97
Rack Angles	97
Gasket Kits	97

TYPE 12 FREE-STAND ENCLOSURES

Free-Stand, Single or Dual Access, Type 12	98
Free-Stand Type 12 Enclosure Accessory Selection Guide	106
Free-Stand, Multi-Door, Type 12	112

TYPE 4 FREE-STAND ENCLOSURES AND ACCESSORIES

Free-Stand, Type 4	116
Free-Stand with 3-Point Latch, Type 4	118
Free-Stand Type 4 Accessories	120
Rack-Mount Accessories	121
Additional Rack-Mount Accessories	122

TYPE 12 FLOOR-MOUNT ENCLOSURES

Two-Door with Floor Stands, Type 12	124
-------------------------------------	-----

TYPE 4 FLOOR-MOUNT ENCLOSURES

Two-Door with 3-Point Latches and Floor Stands, Type 4	126
Two-Door with Floor Stands, Type 4	128

CONTINUOUS HINGE WITH QUARTER-TURN FAST LATCH, TYPE 4

APPLICATION

This enclosure provides the convenience of quarter-turn latching with an aesthetic, easy-to-maintain light gray textured finish.

FEATURES

- Quarter-turn latch with screw-driver slot for easy access
- Seamless foam-in-place gasket
- Weldnuts provided for mounting optional panels and terminal block kits in size 6.00 x 4.00 in. (152 x 102 mm) and larger

SPECIFICATIONS

- 16 or 14 gauge steel (see table)
- Seams continuously welded and ground smooth
- Continuous hinge
- Bonding provision on door
- External wall-mounting brackets
- Oil-resistant gasket

FINISH

RAL 7035 gray polyester powder paint inside and out.

ACCESSORIES

See also *Accessories*.

Panels for Junction Boxes

Junction Box and Wall-Mount Enclosure Swing Out Panel Kit

Terminal Block Kit Assembly for Junction Boxes Overview

Steel and Stainless Steel Window Kits

MODIFICATION AND CUSTOMIZATION

Hoffman excels at modifying and customizing products to your specifications. Contact your local Hoffman sales office or distributor for complete information.

BULLETIN: A51FL
INDUSTRY STANDARDS

UL 508A Listed; Type 4, 12; File No. E61997
 cUL Listed per CSA C22.2 No. 94 Listed; Type 4, 12; File No. E61997

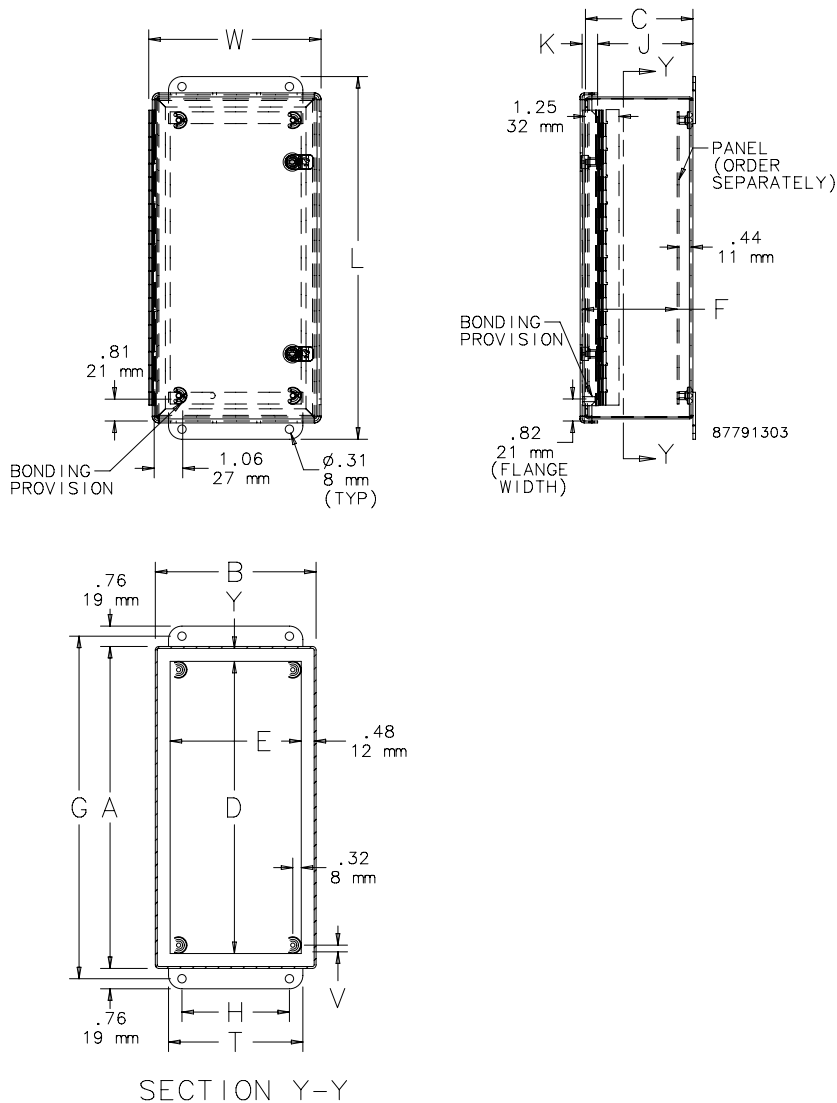
NEMA/EEMAC Type 4 and 12
 IEC 60529, IP 66

Standard Product

Catalog Number	AxBxC in./mm	Gauge	Panel	Conductive Panel	Panel Size in./mm	Mounting G x H in./mm	Overall L x W in./mm	F in./mm	J in./mm	K in./mm	T in./mm	V in./mm	Y in./mm	No. of Latches
A404CHFL	4.00 x 4.00 x 3.00 102 x 102 x 76	16	No Panel	No Panel	—	4.75 x 2.00 121 x 51	5.50 x 4.41 140 x 112	—	2.62 66	0.54 14	3.00 76	—	—	1
A604CHFL	6.00 x 4.00 x 3.00 152 x 102 x 76	16	A6P4	A6P4G	4.88 x 2.88 124 x 73	6.75 x 2.00 171 x 51	7.50 x 4.41 191 x 112	2.53 64	2.62 66	0.54 14	3.00 76	0.31 8	0.56 14	1
A806CHFL	8.00 x 6.00 x 3.50 203 x 152 x 89	14	A8P6	A8P6G	6.75 x 4.88 171 x 124	8.75 x 4.00 222 x 102	9.50 x 6.41 241 x 163	3.03 77	3.12 79	0.56 14	5.00 127	0.25 6	0.62 16	2
A4044CHFL	4.00 x 4.00 x 4.00 102 x 102 x 102	16	No Panel	No Panel	—	4.75 x 2.00 121 x 51	5.50 x 4.41 140 x 112	—	3.62 92	0.54 14	3.00 76	—	—	1
A6044CHFL	6.00 x 4.00 x 4.00 152 x 102 x 102	16	A6P4	A6P4G	4.88 x 2.88 124 x 73	6.75 x 2.00 171 x 51	7.50 x 4.41 191 x 112	3.53 90	3.62 92	0.54 14	3.00 76	0.31 8	0.56 14	1
A606CHFL	6.00 x 6.00 x 4.00 152 x 152 x 102	16	A6P6	A6P6G	4.88 x 4.88 124 x 124	6.75 x 4.00 171 x 102	7.50 x 6.41 191 x 163	3.53 90	3.62 92	0.54 14	5.00 127	0.31 8	0.56 14	1
A808CHFL	8.00 x 8.00 x 4.00 203 x 203 x 102	14	A8P8	A8P8G	6.75 x 6.88 171 x 175	8.75 x 6.00 222 x 152	9.50 x 8.41 241 x 214	3.53 90	3.62 92	0.56 14	7.00 178	0.25 6	0.62 16	2
A1008CHFL	10.00 x 8.00 x 4.00 254 x 203 x 102	14	A10P8	A10P8G	8.75 x 6.88 222 x 175	10.75 x 6.00 273 x 152	11.50 x 8.41 292 x 214	3.53 90	3.62 92	0.56 14	7.00 178	0.25 6	0.62 16	2
A12064CHFL	12.00 x 6.00 x 4.00 305 x 152 x 102	14	A12P6	A12P6G	10.75 x 4.88 273 x 124	12.75 x 4.00 324 x 102	13.50 x 6.41 343 x 163	3.53 90	3.62 92	0.56 14	5.00 127	0.25 6	0.62 16	2
A1210CHFL	12.00 x 10.00 x 5.00 305 x 254 x 127	14	A12P10	A12P10G	10.75 x 8.88 273 x 226	12.75 x 8.00 324 x 203	13.50 x 10.41 343 x 264	4.53 115	4.62 117	0.56 14	9.00 229	0.25 6	0.62 16	2
A8066CHFL	8.00 x 6.00 x 6.00 203 x 152 x 152	14	A8P6	A8P6G	6.75 x 4.88 171x 124	8.75 x 4.00 222 x 102	9.50 x 6.41 241 x 163	5.53 140	5.62 143	0.56 14	5.00 127	0.25 6	0.62 16	2
A10086CHFL	10.00 x 8.00 x 6.00 254 x 203 x 152	14	A10P8	A10P8G	8.75 x 6.88 222 x 175	10.75 x 6.00 273 x 152	11.50 x 8.41 292 x 214	5.53 140	5.62 (143) 143	0.56 14	7.00 178	0.25 6	0.62 16	2
A10106CHFL	10.00 x 10.00 x 6.00 254 x 254 x 152	14	A10P10	A10P10G	8.75 x 8.88 222 x 226	10.75 x 8.00 273 x 203	11.50 x 10.41 292 x 264	5.53 140	5.62 (143) 143	0.56 14	9.00 229	0.25 6	0.62 16	2
A1212CHFL	12.00 x 12.00 x 6.00 305 x 305 x 152	14	A12P12	A12P12G	10.75 x 10.88 273 x 276	12.75 x 10.00 324 x 254	13.50 x 12.41 343 x 314	5.53 140	5.62 (143) 143	0.56 14	11.00 279	0.25 6	0.62 16	2

Catalog Number	AxBxC in./mm	Gauge	Panel	Conductive Panel	Panel Size in./mm	Mounting C x H in./mm	Overall L x W in./mm	F in./mm	J in./mm	K in./mm	T in./mm	V in./mm	Y in./mm	No. of Latches
A14086CHFL	14.00 x 8.00 x 6.00 356 x 203 x 152	14	A14P8	A14P8G	12.75 x 6.88 324 x 175	14.75 x 6.00 375 x 152	15.50 x 8.41 394 x 214	5.53 140	5.62 (143) 143	0.56 14	7.00 178	0.25 6	0.62 16	2
A1412CHFL	14.00 x 12.00 x 6.00 356 x 305 x 152	14	A14P12	A14P12G	12.75 x 10.88 324 x 276	14.75 x 10.00 375 x 254	15.50 x 12.41 394 x 314	5.53 140	5.62 (143) 143	0.56 14	11.00 279	0.25 6	0.62 16	2
A16106CHFL	16.00 x 10.00 x 6.00 406 x 254 x 152	14	A16P10	A16P10G	14.75 x 8.88 375 x 226	16.75 x 8.00 425 x 203	17.50 x 10.41 445 x 264	5.53 140	5.62 (143) 143	0.56 14	9.00 229	0.25 6	0.62 16	2
A1614CHFL	16.00 x 14.00 x 6.00 406 x 356 x 152	14	A16P14	A16P14G	14.75 x 12.88 375 x 327	16.75 x 12.00 425 x 305	17.50 x 14.41 445 x 366	5.53 140	5.62 (143) 143	0.56 14	13.00 330	0.25 6	0.62 16	2
A12108CHFL	12.00 x 10.00 x 8.00 305 x 254 x 203	14	A12P10	A12P10G	10.75 x 8.88 273 x 226	12.75 x 8.00 324 x 203	13.50 x 10.41 343 x 264	7.53 191	7.62 194	0.56 14	9.00 229	0.25 6	0.62 16	2
A14128CHFL	14.00 x 12.00 x 8.00 356 x 305 x 203	14	A14P12	A14P12G	12.75 x 10.88 324 x 276	14.75 x 10.00 375 x 254	15.50 x 12.41 394 x 314	7.53 191	7.62 194	0.56 14	11.00 279	0.25 6	0.62 16	2
A16148CHFL	16.00 x 14.00 x 8.00 406 x 356 x 203	14	A16P14	A16P14G	14.75 x 12.88 375 x 327	16.75 x 12.00 425 x 305	17.50 x 14.41 445 x 366	7.53 191	7.62 104	0.56 14	13.00 330	0.25 6	0.62 16	2
A161410CHFL	16.00 x 14.00 x 10.00 406 x 356 x 254	14	A16P14	A16P14G	14.75 x 12.88 375 x 327	16.75 x 12.00 425 x 305	17.50 x 14.41 445 x 366	9.53 242	9.62 244	0.56 14	13.00 330	0.25 6	0.62 16	2

Purchase panels separately. Optional stainless steel, conductive, composite and aluminum panels are available for most sizes.



CONTINUOUS HINGE WITH CLAMPS, TYPE 4



APPLICATION

A continuous hinge combined with stainless steel clamps on three sides provide environmental protection and security in indoor or outdoor applications.

SPECIFICATIONS

- 16 or 14 gauge steel (see table)
- Seams continuously welded and ground smooth
- Stainless steel clamps on three sides of door
- Continuous hinge
- Stainless steel hinge pin
- Oil-resistant gasket
- Weldnuts provided for mounting optional panels and terminal block kits in size 6.00 x 4.00 in. (152 x 102 mm) and larger
- Bonding provision on door
- External wall-mounting brackets

FINISH

ANSI 61 gray polyester powder paint inside and out

ACCESSORIES

See also *Accessories*.

Industrial Corrosion Inhibitors

Fast-Operating Clamp-Cover Junction Box Clamp

Lock Kit for Clamp Cover Junction Boxes

Panels for Junction Boxes

Junction Box and Wall-Mount Enclosure Swing Out Panel Kit

Terminal Block Kit Assembly for Junction Boxes Overview

MODIFICATION AND CUSTOMIZATION

Hoffman excels at modifying and customizing products to your specifications. Contact your local Hoffman sales office or distributor for complete information.

BULLETIN: A51NF

INDUSTRY STANDARDS

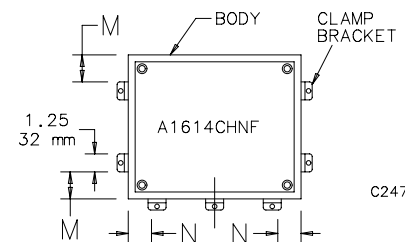
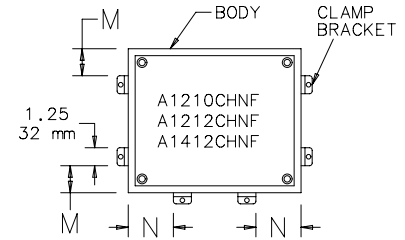
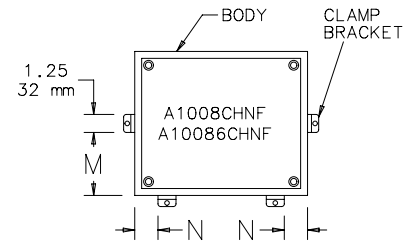
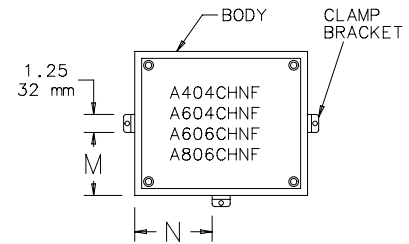
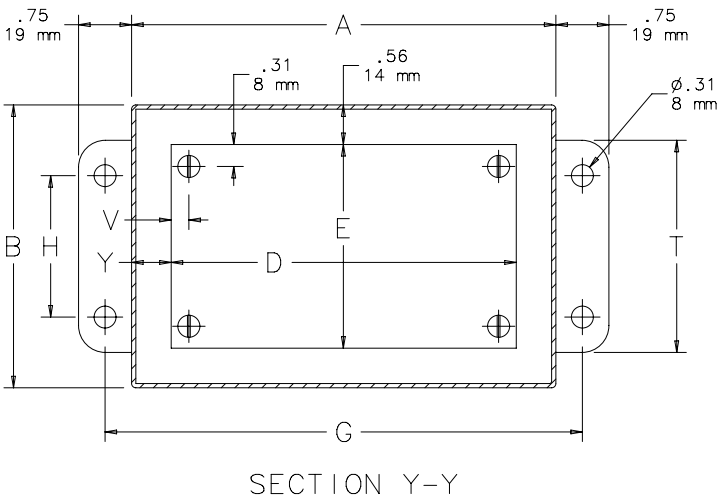
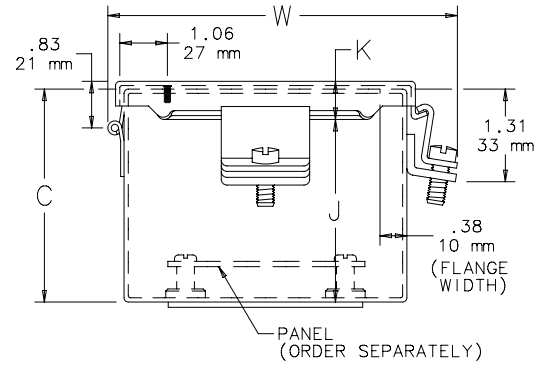
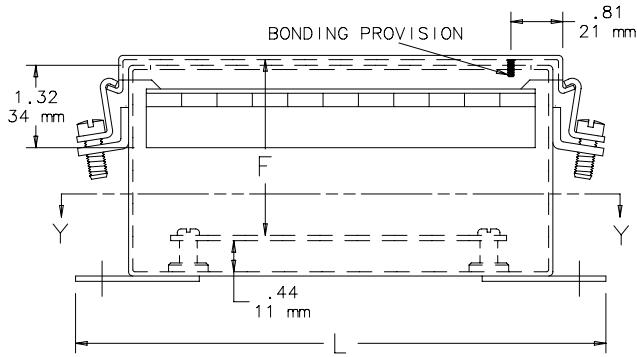
UL 50, 50E Listed; Type 4, 12, 13; File No. E27567
 cUL Listed per CSA C22.2 No. 94; Type 4, 12, 13; File No. E27567
 UL 508A Listed; Type 4, 12, 13; File No. E61997
 cUL Listed per CSA C22.2 No. 94; Type 4, 12, 13; File No. E61997

NEMA/EEMAC Type 4, 12, 13
 CSA, File No. 42184: Type 4 and 12
 IEC 60529, IP66

Standard Product

Catalog Number	AxBxC in./mm	Gauge	UL Listed	Panel	Conductive Panel	Panel Size	Mounting	Overall	F	J	K	M	N	T	V	Y
						D x E in./mm	G x H in./mm	L x W in./mm								
A404CHNF	4.00 x 4.00 x 3.00 102 x 102 x 76	16	508A	No Panel	No Panel	No Panel	4.75 x 2.00	5.50 x 4.94	—	2.62	0.54	1.38	1.38	3.00	—	—
						No Panel	121 x 51	140 x 125	—	66	14	35	35	76	—	—
A604CHNF	6.00 x 4.00 x 3.00 152 x 102 x 76	16	508A	A6P4	A6P4G	4.88 x 2.88	6.75 x 2.00	7.50 x 4.94	2.53	2.62	0.54	1.38	2.38	3.00	0.31	0.56
						124 x 73	171 x 51	191 x 125	64	66	14	35	60	76	8	14
A806CHNF	8.00 x 6.00 x 3.50 203 x 152 x 89	14	50, 50E	A8P6	A8P6G	6.75 x 4.88	8.75 x 4.00	9.50 x 6.94	3.03	3.12	0.56	2.38	3.38	5.00	0.25	0.62
						171 x 124	222 x 102	241 x 176	77	79	14	60	86	127	6	16
A606CHNF	6.00 x 6.00 x 4.00 152 x 152 x 102	16	50, 50E	A6P6	A6P6G	4.88 x 4.88	6.75 x 4.00	7.50 x 6.94	3.53	3.62	0.54	2.38	2.38	5.00	0.31	0.56
						124 x 124	171 x 102	191 x 176	90	92	14	60	60	127	8	14
A1008CHNF	10.00 x 8.00 x 4.00 254 x 203 x 102	14	50, 50E	A10P8	A10P8G	8.75 x 6.88	10.75 x 6.00	11.50 x 8.94	3.53	3.62	0.56	3.38	1.50	7.00	0.25	0.62
						222 x 175	273 x 152	292 x 227	90	92	14	86	38	178	6	16
A1210CHNF	12.00 x 10.00 x 5.00 305 x 254 x 127	14	50, 50E	A12P10	A12P10G	10.75 x 8.88	12.75 x 8.00	13.50 x 10.94	4.53	4.62	0.56	2.00	3.00	9.00	0.25	0.62
						273 x 225	324 x 203	343 x 278	115	117	14	51	76	229	6	16
A10086CHNF	10.00 x 8.00 x 6.00 254 x 203 x 152	14	50, 50E	A10P8	A10P8G	8.75 x 6.88	10.75 x 6.00	11.50 x 8.94	5.53	5.62	0.56	3.38	1.50	7.00	0.25	0.62
						222 x 175	273 x 152	292 x 227	140	143	14	86	38	178	6	16
A1212CHNF	12.00 x 12.00 x 6.00 305 x 305 x 152	14	50, 50E	A12P12	A12P12G	10.75 x 10.88	12.75 x 10.00	13.50 x 12.94	5.53	5.62	0.56	2.50	2.50	11.00	0.25	0.62
						273 x 276	324 x 254	343 x 329	140	143	14	64	64	279	6	16
A1412CHNF	14.00 x 12.00 x 6.00 356 x 305 x 152	14	50, 50E	A14P12	A14P12G	12.75 x 10.88	14.75 x 10.00	15.50 x 12.94	5.53	5.62	0.56	2.00	3.00	11.00	0.25	0.62
						324 x 276	375 x 254	394 x 329	140	143	14	51	76	279	6	16
A1614CHNF	16.00 x 14.00 x 6.00 406 x 356 x 152	14	50, 50E	A16P14	A16P14G	14.75 x 12.88	16.75 x 12.00	17.50 x 14.94	5.53	5.62	0.56	3.50	1.50	13.00	0.25	0.62
						375 x 327	425 x 305	445 x 379	140	143	14	89	38	330	6	16

Purchase panels separately. Optional stainless steel, conductive, composite and aluminum panels are available for most sizes.



C2478-C



CONTINUOUS HINGE WITH CLAMPS, TYPE 12



1

INDUSTRY STANDARDS

UL 50, 50E Listed; Type 12, 13; File No. E27567
 cUL Listed per CSA 22.2 No. 94; Type 12, 13; File No. E27567
 UL 508A Listed; Type 12, 13; File No. E61997
 cUL Listed per CSA 22.2 No. 94; Type 12, 13; File No. E61997

NEMA/EEMAC Type 12 and 13
 CSA, File No. 42184: Type 12
 IEC 60529, IP65

APPLICATION

This easy-to-open, continuous hinge enclosure features screw-down clamps for secure closure and can be used in a wide variety of applications.

SPECIFICATIONS

- 16 or 14 gauge steel (see table)
- Seams continuously welded and ground smooth
- Continuous hinge
- External screw clamps are quick and easy to operate
- Bonding provision on door
- External wall-mounting brackets
- Oil-resistant gasket
- Weldnuts provided for mounting optional panels and terminal block kits in size 6.00 x 4.00 in. (152 x 102 mm) and larger

FINISH

ANSI 61 gray polyester powder paint inside and out

ACCESSORIES

See also *Accessories*.

Clamp Kits

Fast-Operating Clamp-Cover Junction Box Clamp

Lock Kit for Clamp Cover Junction Boxes

Panels for Junction Boxes

Junction Box and Wall-Mount Enclosure Swing Out Panel Kit

See also the *Popular Accessories* table following the *Standard Product* table.

MODIFICATION AND CUSTOMIZATION

Hoffman excels at modifying and customizing products to your specifications. Contact your local Hoffman sales office or distributor for complete information.

BULLETIN: A51CH

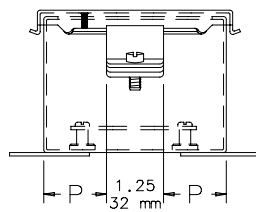
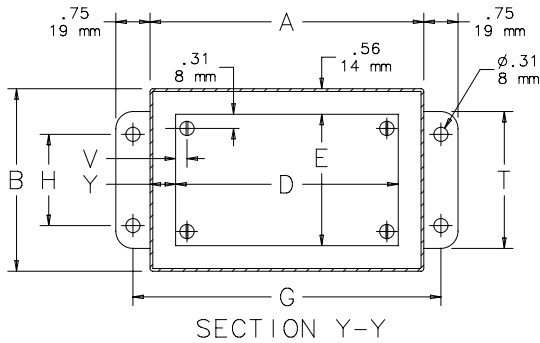
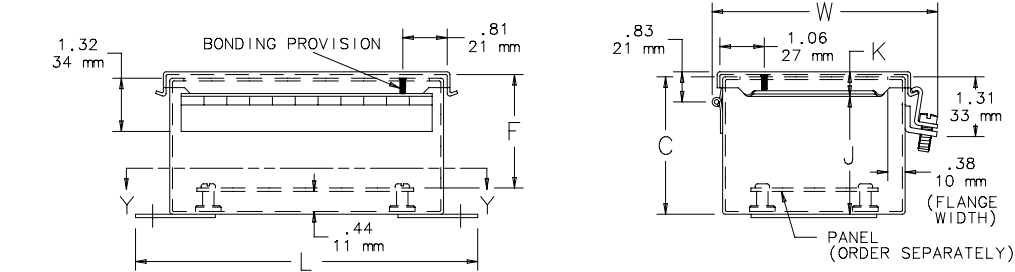
Standard Product

Catalog Number	AxBxC in./mm	Gauge	UL Listed	Panel	Conductive Panel	Panel Size D x E in./mm	Mounting G x H in./mm	Overall L x W in./mm	F in./mm	J in./mm	K in./mm	P in./mm	T in./mm	V in./mm	Y in./mm
A404CH	4.00 x 4.00 x 3.00 102 x 102 x 76	16	508A	No Panel	No Panel	No Panel	4.75 x 2.00 121 x 51	5.50 x 4.94 140 x 125	—	2.62	0.54	1.38	3.00	—	—
A604CH	6.00 x 4.00 x 3.00 152 x 102 x 76	16	508A	A6P4	A6P4G	4.88 x 2.88 124 x 73	6.75 x 2.00 171 x 51	7.50 x 4.94 191 x 125	2.53	2.62	0.54	2.38	3.00	0.31	0.56
A806CH	8.00 x 6.00 x 3.50 203 x 152 x 89	14	50, 50E	A8P6	A8P6G	6.75 x 4.88 171 x 124	8.75 x 4.00 222 x 102	9.50 x 6.94 241 x 176	3.03	3.12	0.56	1.00	5.00	0.25	0.62
A4044CH	4.00 x 4.00 x 4.00 102 x 102 x 102	16	508A	No Panel	No Panel	No Panel	4.75 x 2.00 121 x 51	5.50 x 4.94 140 x 125	—	3.62	0.54	1.38	3.00	—	—
A6044CH	6.00 x 4.00 x 4.00 152 x 102 x 102	16	508A	A6P4	A6P4G	4.88 x 2.88 124 x 73	6.75 x 2.00 171 x 51	7.50 x 4.94 191 x 125	3.53	3.62	0.54	2.38	3.00	0.31	0.56
A606CH	6.00 x 6.00 x 4.00 152 x 152 x 102	16	50, 50E	A6P6	A6P6G	4.88 x 4.88 124 x 73	6.75 x 4.00 171 x 102	7.50 x 6.94 191 x 176	3.53	3.62	0.54	2.38	5.00	0.31	0.56
A808CH	8.00 x 8.00 x 4.00 203 x 203 x 102	14	50, 50E	A8P8	A8P8G	6.75 x 6.88 171 x 175	8.75 x 6.00 222 x 152	9.50 x 8.94 241 x 227	3.53	3.62	0.56	1.00	7.00	0.25	0.62
A1008CH	10.00 x 8.00 x 4.00 254 x 203 x 102	14	50, 50E	A10P8	A10P8G	8.75 x 6.88 222 x 175	10.75 x 6.00 273 x 152	11.50 x 8.94 292 x 227	3.53	3.62	0.56	1.00	7.00	0.25	0.62
A1008CHS	10.00 x 8.00 x 4.00 254 x 203 x 102	14	50, 50E	A10P8	A10P8G	8.75 x 6.88 222 x 175	10.75 x 6.00 273 x 152	11.50 x 8.94 292 x 227	3.53	3.62	0.56	1.00	7.00	0.25	0.62
A12064CH	12.00 x 6.00 x 4.00 305 x 152 x 102	14	50, 50E	A12P6	A12P6G	10.75 x 4.88 273 x 124	12.75 x 4.00 324 x 102	13.50 x 6.94 343 x 176	3.53	3.62	0.56	1.00	5.00	0.25	0.62
A1210CH	12.00 x 10.00 x 5.00 305 x 254 x 127	14	50, 50E	A12P10	A12P10G	10.75 x 8.88 273 x 226	12.75 x 8.00 324 x 203	13.50 x 10.94 343 x 278	4.53	4.62	0.56	1.00	9.00	0.25	0.62
A1210CHS	12.00 x 10.00 x 5.00 305 x 254 x 127	14	50, 50E	A12P10	A12P10G	10.75 x 8.88 273 x 226	12.75 x 8.00 324 x 203	13.50 x 10.94 343 x 278	4.53	4.62	0.56	1.00	9.00	0.25	0.62
A8066CH	8.00 x 6.00 x 6.00 203 x 152 x 152	14	50, 50E	A8P6	A8P6G	6.75 x 4.88 171 x 124	8.75 x 4.00 222 x 102	9.50 x 6.94 241 x 176	5.53	5.62	0.56	1.00	5.00	0.25	0.62
A10086CH	10.00 x 8.00 x 6.00 254 x 203 x 152	14	50, 50E	A10P8	A10P8G	8.75 x 6.88 222 x 175	10.75 x 6.00 273 x 152	11.50 x 8.94 292 x 227	5.53	5.62	0.56	1.00	7.00	0.25	0.62
A10106CH	10.00 x 10.00 x 6.00 254 x 254 x 152	14	50, 50E	A10P10	A10P10G	8.75 x 8.88 222 x 226	10.75 x 8.00 273 x 203	11.50 x 10.94 292 x 278	5.53	5.62	0.56	1.00	9.00	0.25	0.62
A1212CH	12.00 x 12.00 x 6.00 305 x 305 x 152	14	50, 50E	A12P12	A12P12G	10.75 x 10.88 273 x 276	12.75 x 10.00 324 x 254	13.50 x 12.94 343 x 329	5.53	5.62	0.56	1.00	11.00	0.25	0.62
A14086CH	14.00 x 8.00 x 6.00 356 x 203 x 152	14	50, 50E	A14P8	A14P8G	12.75 x 6.88 324 x 175	14.75 x 6.00 375 x 152	15.50 x 8.94 394 x 227	5.53	5.62	0.56	1.00	7.00	0.25	0.62
A1412CH	14.00 x 12.00 x 6.00 356 x 305 x 152	14	50, 50E	A14P12	A14P12G	12.75 x 10.88 324 x 276	14.75 x 10.00 375 x 254	15.50 x 12.94 394 x 329	5.53	5.62	0.56	1.00	11.00	0.25	0.62
A1412CHS	14.00 x 12.00 x 6.00 356 x 305 x 152	14	50, 50E	A14P12	A14P12G	12.75 x 10.88 324 x 276	14.75 x 10.00 375 x 254	15.50 x 12.94 394 x 329	5.53	5.62	0.56	1.00	11.00	0.25	0.62
A16106CH	16.00 x 10.00 x 6.00 406 x 254 x 152	14	50, 50E	A16P10	A16P10G	14.75 x 8.88 375 x 226	16.75 x 8.00 425 x 203	17.50 x 10.94 445 x 278	5.53	5.62	0.56	1.00	9.00	0.25	0.62

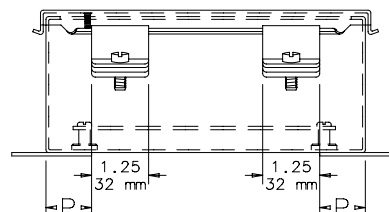
Catalog Number	AxBxC in./mm	Gauge	UL Listed	Panel	Conductive Panel	Panel Size D x E in./mm	Mounting G x H in./mm	Overall L x W in./mm	F in./mm	J in./mm	K in./mm	P in./mm	T in./mm	V in./mm	Y in./mm
A1614CH	16.00 x 14.00 x 6.00 406 x 356 x 152	14	50, 50E	A16P14	A16P14G	14.75 x 12.88 375 x 327	16.75 x 12.00 425 x 305	17.50 x 14.94 445 x 379	5.53 140	5.62 143	0.56 14	1.00 25	13.00 330	0.25 6	0.62 16
A1614CHS	16.00 x 14.00 x 6.00 406 x 356 x 152	14	50, 50E	A16P14	A16P14G	14.75 x 12.88 375 x 327	16.75 x 12.00 425 x 305	17.50 x 14.94 445 x 379	5.53 140	5.62 143	0.56 14	1.00 25	13.00 330	0.25 6	0.62 16
A12108CH	12.00 x 10.00 x 8.00 305 x 254 x 203	14	50, 50E	A12P10	A12P10G	10.75 x 8.88 273 x 226	12.75 x 8.00 324 x 203	13.50 x 10.94 343 x 278	7.53 191	7.62 194	0.56 14	1.00 25	9.00 229	0.25 6	0.62 16
A14128CH	14.00 x 12.00 x 8.00 356 x 305 x 203	14	50, 50E	A14P12	A14P12G	12.75 x 10.88 324 x 276	14.75 x 10.00 375 x 254	15.50 x 12.94 394 x 329	7.53 191	7.62 194	0.56 14	1.00 25	11.00 279	0.25 6	0.62 16
A16148CH	16.00 x 14.00 x 8.00 406 x 356 x 203	14	50, 50E	A16P14	A16P14G	14.75 x 12.88 375 x 327	16.75 x 12.00 425 x 305	17.50 x 14.94 445 x 379	7.53 191	7.62 194	0.56 14	1.00 25	13.00 330	0.25 6	0.62 16
A161410CH	16.00 x 14.00 x 10.00 406 x 356 x 254	14	50, 50E	A16P14	A16P14G	14.75 x 12.88 375 x 327	16.75 x 12.00 425 x 305	17.50 x 14.94 445 x 379	9.53 242	9.62 244	0.56 14	1.00 25	13.00 330	0.25 6	0.62 16

Catalog numbers ending in "S" are hinged on short side.

Purchase panels separately. Optional stainless steel, conductive, composite and aluminum panels are available for most sizes.



View showing clamp end of box when one clamp is used.



View showing clamp end of box when two clamps are used. When A=8.00 (203mm) or more, use two clamps.

Popular Accessories

Enclosure Width (B Dimension)	Hole Seals
4 in. (102 mm)	AS050
6 in. (152 mm)	AS050
8 in. (203 mm)	AS050
10 in. (254 mm)	AS050
12 in. (305 mm)	AS050
14 in. (356 mm)	AS050

CONTINUOUS HINGE WITH CLAMPS, EMC, TYPE 12

APPLICATION

This enclosure is used in indoor applications to contain stray electromagnetic interference (EMI) signals produced by internal components and to shield those components from external EMI/RFI interference.

SPECIFICATIONS

- 16 or 14 gauge steel
- Seams continuously welded and ground smooth
- Continuous hinge
- Bonding provision on door
- Combination woven steel mesh and oil-resistant gasket
- Stainless steel cover clamps and screws
- Weldnuts provided for mounting optional panels and terminal kits in size 6.00 x 4.00 in. (152 x 102mm) and larger
- Shielding effectiveness greater than 80 dB at 1 GHz

FINISH

Plated finish provides conductive surfaces for gasket contact areas and conduit entries.

ACCESSORIES

See *also Accessories*.

Industrial Corrosion Inhibitors

Fast-Operating Clamp-Cover Junction Box Clamp

Panels for Junction Boxes

Junction Box and Wall-Mount Enclosure Swing Out Panel Kit

Terminal Block Kit Assembly for Junction Boxes Overview

BULLETIN: A53

INDUSTRY STANDARDS

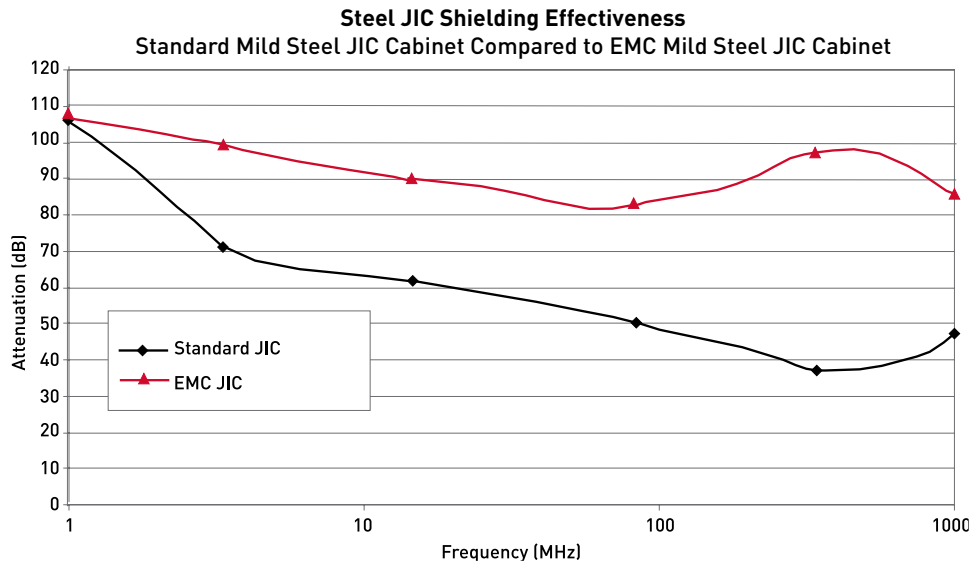
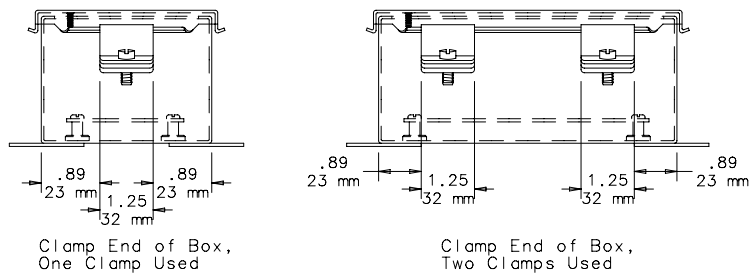
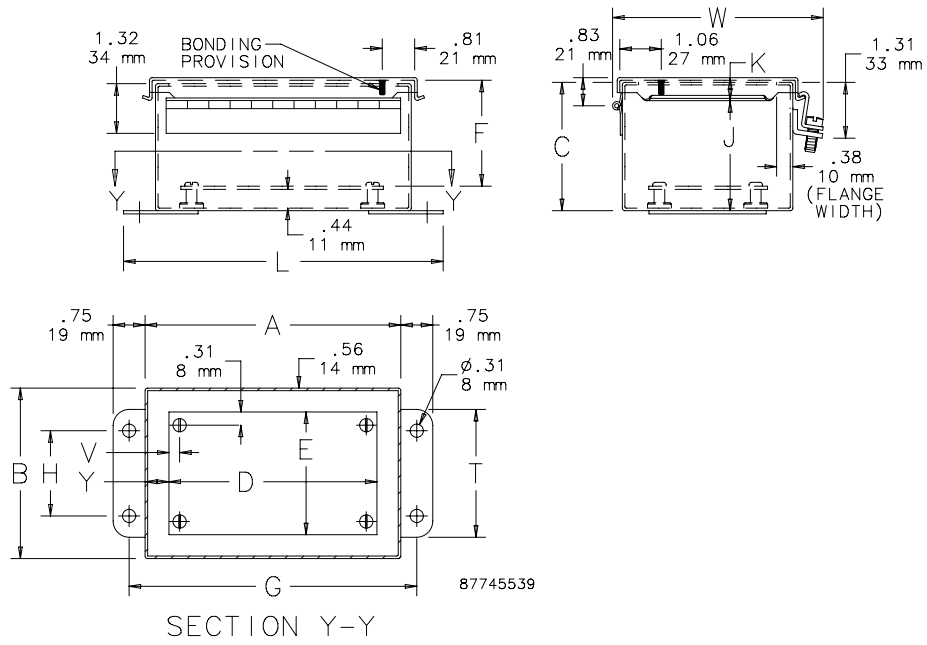
UL 50, 50E Listed; Type 12, 13; File No. E27567
 cUL Listed per CSA C22.2 No. 94; Type 12, 13; File No. E27567
 UL 508A Listed; Type 12, 13; File No. E61997
 cUL Listed per CSA C22.2 No. 94; Type 12,13; File No. E61997

NEMA/EEMAC Type 12, 13
 CSA, File No. 42184: Type 12, 13
 IEC 60529, IP54

Standard Product

Catalog Number	AxBxC in./mm	Gauge	UL Listed	Panel	Conductive Panel	Panel Size D x E in./mm	Mounting G x H in./mm	Overall L x W in./mm	F in./mm	J in./mm	K in./mm	T in./mm	V in./mm	Y in./mm
A604CHEMC	6.00 x 4.00 x 3.00	16	508A	A6P4	A6P4G	4.88 x 2.88	6.75 x 2.00	7.50 x 4.81	2.53	2.62	0.54	3.00	0.31	0.56
	152 x 102 x 76					171 x 51	191 x 122	64	66	14	76	8	14	
A806CHEMC	8.00 x 6.00 x 3.50	14	50, 50E	A8P6	A8P6G	6.75 x 4.88	8.75 x 4.00	9.51 x 6.81	3.03	3.12	0.56	5.00	0.25	0.62
	203 x 152 x 89					222 x 102	241 x 173	77	79	14	127	6	16	
A606CHEMC	6.00 x 6.00 x 4.00	16	50, 50E	A6P6	A6P6G	4.88 x 4.88	6.75 x 4.00	7.50 x 6.81	3.53	3.62	0.54	5.00	0.31	0.56
	152 x 152 x 102					171 x 102	191 x 173	90	92	14	127	8	14	
A1008CHEMC	10.00 x 8.00 x 4.00	14	50, 50E	A10P8	A10P8G	8.75 x 6.88	10.75 x 6.00	11.50 x 8.81	3.53	3.62	0.56	7.00	0.25	0.62
	254 x 203 x 102					273 x 152	292 x 224	90	92	14	178	6	16	
A1210CHEMC	12.00 x 10.00 x 5.00	14	50, 50E	A12P10	A12P10G	10.75 x 8.88	12.75 x 8.00	13.50 x 10.81	4.53	4.62	0.56	9.00	0.25	0.62
	305 x 254 x 127					324 x 203	343 x 275	115	117	14	229	6	16	
A1412CHEMC	14.00 x 12.00 x 6.00	14	50, 50E	A14P12	A14P12G	12.75 x 10.88	14.75 x 10.00	15.50 x 12.81	5.53	5.62	0.56	11.00	0.25	0.62
	356 x 305 x 152					375 x 254	394 x 325	140	143	14	279	6	16	
A1614CHEMC	16.00 x 14.00 x 6.00	14	50, 50E	A16P14	A16P14G	14.75 x 12.88	16.75 x 12.00	17.50 x 14.81	5.53	5.62	0.56	13.00	0.25	0.62
	406 x 356 x 152					425 x 305	445 x 376	140	143	14	330	6	16	

Purchase panels separately.



CONTINUOUS HINGE WITH FLANGE TROUGH COLLAR, TYPE 12



APPLICATION

Used in automotive and other applications that require an outward formed external flange trough collar to keep out liquids and contaminants. These enclosures feature tool-to-open latches for securing cover.

SPECIFICATIONS

- 16 gauge steel body, 16 or 14 gauge steel door
- Return flange design, formed around the body opening, diverts liquid contaminants away from the enclosure door opening
- Continuous hinge
- Bonding provision on door
- Heavy-duty, tool-to-open, plated latches
- Oil-resistant gasket
- External wall-mounting brackets
- Weldnuts provided for mounting optional panels and terminal block kits

FINISH

ANSI 61 gray polyester powder coating inside and out

ACCESSORIES

See also *Accessories*.

- Panels for Junction Boxes
- Junction Box and Wall-Mount Enclosure Swing Out Panel Kit
- Terminal Block Kit Assembly for Junction Boxes Overview
- Steel and Stainless Steel Window Kits

MODIFICATION AND CUSTOMIZATION

Hoffman excels at modifying and customizing products to your specifications. Contact your local Hoffman sales office or distributor for complete information.

BULLETIN: A51

INDUSTRY STANDARDS

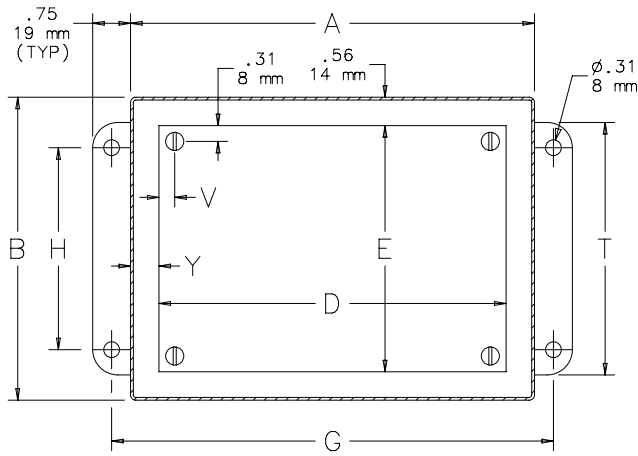
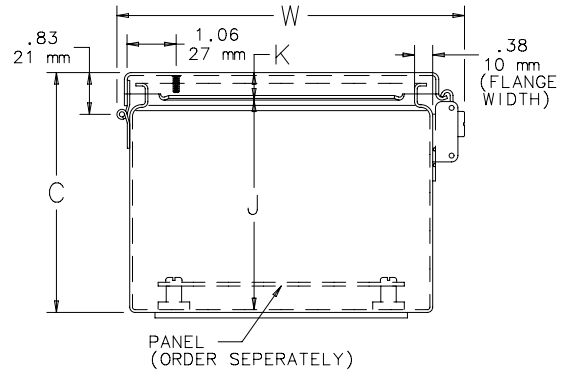
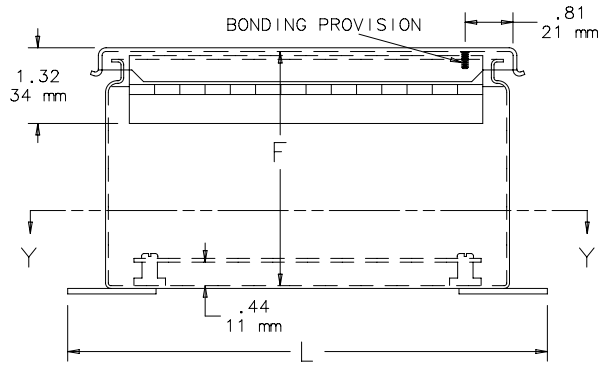
UL 50, 50E Listed; Type 12, 13; File No. E27567
 cUL Listed per CSA C22.2 No. 94; Type 12, 13; File No. E27567
 UL 508A Listed; Type 12, 13; File No. E61997
 cUL Listed per CSA C22.2 No. 94; Type 12, 13; File No. E61997

NEMA/EEMAC Type 12, 13
 CSA, File No. 42184, Type 12, 13
 IEC 60529, IP65

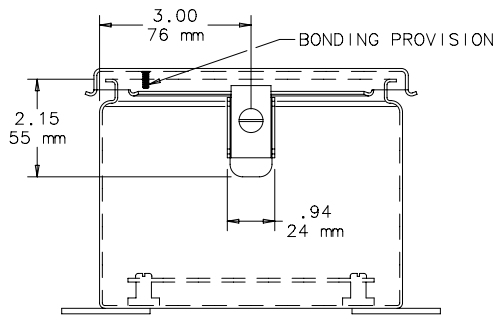
Standard Product

Catalog Number	AxBxC in./mm	Panel	UL Listed	Conductive Panel	Panel Size D x E in./mm	Mounting G x H in./mm	Overall L x W in./mm	F in./mm	J in./mm	K in./mm	T in./mm	V in./mm	Y in./mm
A604CHFTC	6.00 x 4.00 x 4.75	A6P4	508A	A6P4G	4.88 x 2.88	6.75 x 2.00	7.50 x 4.88	4.10	4.21	0.54	3.00	0.31	0.56
	152 x 102 x 121				124 x 73	171 x 51	190 x 124	104	107	14	76	8	14
A606CHFTC	6.00 x 6.00 x 4.75	A6P6	50, 50E	A6P6G	4.88 x 4.88	6.75 x 4.00	7.50 x 6.88	4.10	4.21	0.54	5.00	0.31	0.56
	152 x 152 x 121				124 x 124	171 x 102	190 x 175	104	107	14	127	8	14
A806CHFTC	8.00 x 6.00 x 4.75	A8P6	50, 50E	A8P6G	6.75 x 4.88	8.75 x 4.00	9.51 x 6.88	4.10	4.21	0.56	5.00	0.25	0.56
	203 x 152 x 121				171 x 124	222 x 102	242 x 175	104	107	14	127	6	14
A1008CHFTC	10.00 x 8.00 x 4.75	A10P8	50, 50E	A10P8G	8.75 x 6.88	10.75 x 6.00	11.50 x 8.88	4.10	4.21	0.56	7.00	0.25	0.56
	254 x 203 x 121				222 x 175	273 x 152	292 x 226	104	107	14	178	6	14
A1210CHFTC	12.00 x 10.00 x 5.75	A12P10	50, 50E	A12P10G	10.75 x 8.88	12.75 x 8.00	13.50 x 10.88	5.10	5.21	0.56	9.00	0.25	0.87
	305 x 254 x 146				273 x 226	324 x 203	343 x 276	130	132	14	229	6	22
A1412CHFTC	14.00 x 12.00 x 6.75	A14P12	50, 50E	A14P12G	12.75 x 10.88	14.75 x 10.00	15.50 x 12.88	6.10	6.21	0.56	11.00	0.25	0.87
	356 x 305 x 171				324 x 276	375 x 254	394 x 327	155	158	14	279	6	22
A1614CHFTC	16.00 x 14.00 x 6.75	A16P14	50, 50E	A16P14G	14.75 x 12.88	16.75 x 12.00	17.50 x 14.88	6.10	6.21	0.56	13.00	0.25	0.87
	406 x 356 x 171				375 x 327	425 x 305	444 x 378	155	158	14	330	6	22

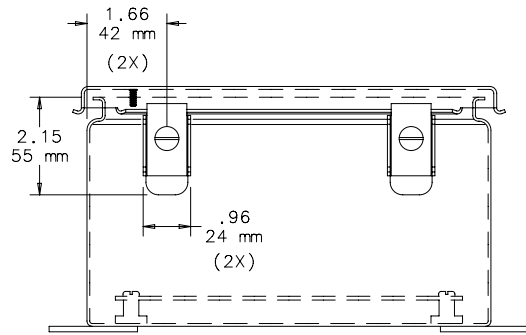
Purchase panels separately. Optional stainless steel, conductive, composite and aluminum panels are available for most sizes.



SECTION Y-Y



$A \leq 8.00$ (203mm)



$A \geq 8.00$ (203mm)

C2808-C



CONTINUOUS HINGE WITH QUICK-RELEASE LATCHES, TYPE 12



APPLICATION

A continuous hinge door with quick-release flip latches provides convenient access to enclosed components in a wide variety of applications.

SPECIFICATIONS

- 16 or 14 gauge steel (see table)
- Seams continuously welded and ground smooth
- Continuous hinge
- Bonding provision on door
- External quick-release latches
- External wall-mounting brackets
- Oil-resistant gasket
- Weldnuts provided for mounting optional panels and terminal block kits

FINISH

ANSI 61 gray polyester powder paint inside and out

ACCESSORIES

See also *Accessories*.

Panels for Junction Boxes

Junction Box and Wall-Mount Enclosure Swing Out Panel Kit

Terminal Block Kit Assembly for Junction Boxes Overview

Steel and Stainless Steel Window Kits

MODIFICATION AND CUSTOMIZATION

Hoffman excels at modifying and customizing products to your specifications. Contact your local Hoffman sales office or distributor for complete information.

BULLETIN: A51

INDUSTRY STANDARDS

UL 50, 50E Listed; Type 12, 13; File No. E27567
 cUL Listed per CSA C22.2 No. 94; Type 12, 13; File No. E27567
 UL 508A Listed; Type 12, 13; File No. E61997
 cUL Listed per CSA C22.2 No. 94; Type 12, 13; File No. E61997

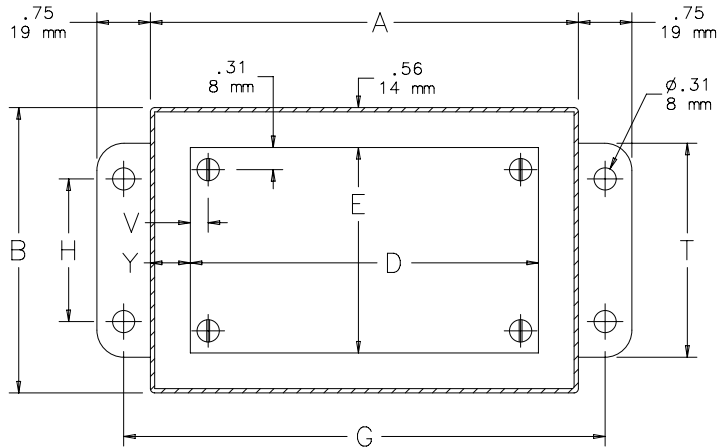
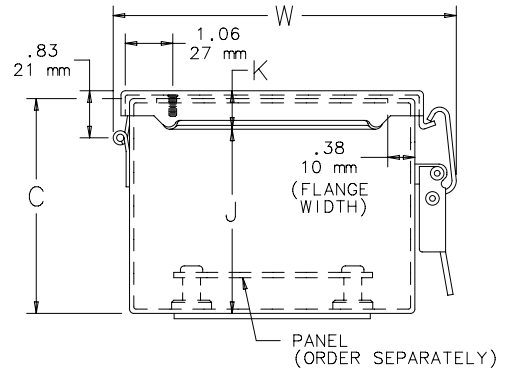
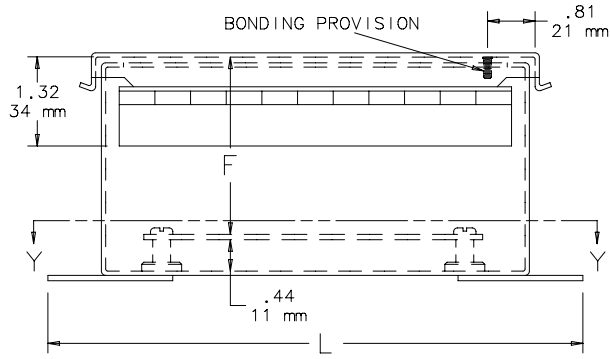
NEMA Type 12 and 13

IEC 60529, IP65

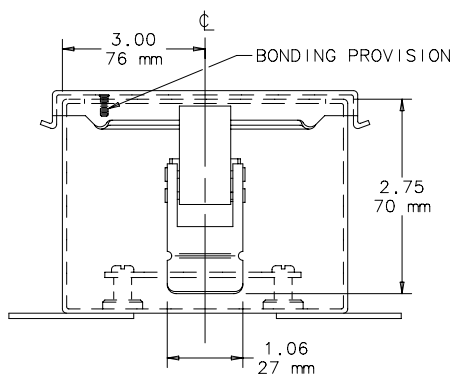
Standard Product

Catalog Number	AxBxC in./mm	Gauge	UL Listed	Panel	Conductive Panel	Panel Size D x E in./mm	Mounting G x H in./mm	Overall L x W in./mm	F in./mm	J in./mm	K in./mm	T in./mm	V in./mm	Y in./mm
A604CHQR	6.00 x 4.00 x 3.00	16	508A	A6P4	A6P4G	4.88 x 2.88	6.75 x 2.00	7.50 x 4.81	2.53	2.62	0.54	3.00	0.31	0.56
	152 x 102 x 76					171 x 51	191 x 122	64	66	14	76	8	14	
A806CHQR	8.00 x 6.00 x 3.50	14	50, 50E	A8P6	A8P6G	6.75 x 4.88	8.75 x 4.00	9.51 x 6.81	3.03	3.12	0.56	5.00	0.25	0.62
	203 x 152 x 89					222 x 102	241 x 173	77	79	14	127	6	16	
A606CHQR	6.00 x 6.00 x 4.00	16	50, 50E	A6P6	A6P6G	4.88 x 4.88	6.75 x 4.00	7.50 x 6.81	3.53	3.62	0.54	5.00	0.31	0.56
	152 x 152 x 102					171 x 102	191 x 173	90	92	14	127	8	14	
A1008CHQR	10.00 x 8.00 x 4.00	14	50, 50E	A10P8	A10P8G	8.75 x 6.88	10.75 x 6.00	11.50 x 8.81	3.53	3.62	0.56	7.00	0.25	0.62
	254 x 203 x 102					273 x 152	292 x 224	90	92	14	178	6	16	
A1210CHQR	12.00 x 10.00 x 5.00	14	50, 50E	A12P10	A12P10G	10.75 x 8.88	12.75 x 8.00	13.50 x 10.81	4.53	4.62	0.56	9.00	0.25	0.62
	305 x 254 x 127					324 x 203	343 x 275	115	117	14	229	6	16	
A1412CHQR	14.00 x 12.00 x 6.00	14	50, 50E	A14P12	A14P12G	12.75 x 10.88	14.75 x 10.00	15.50 x 12.81	5.53	5.62	0.56	11.00	0.25	0.62
	356 x 305 x 152					375 x 254	394 x 325	140	143	14	279	6	16	
A1614CHQR	16.00 x 14.00 x 6.00	14	50, 50E	A16P14	A16P14G	14.75 x 12.88	16.75 x 12.00	17.50 x 14.81	5.53	5.62	0.56	13.00	0.25	0.62
	406 x 356 x 152					425 x 305	445 x 376	140	143	14	330	6	16	

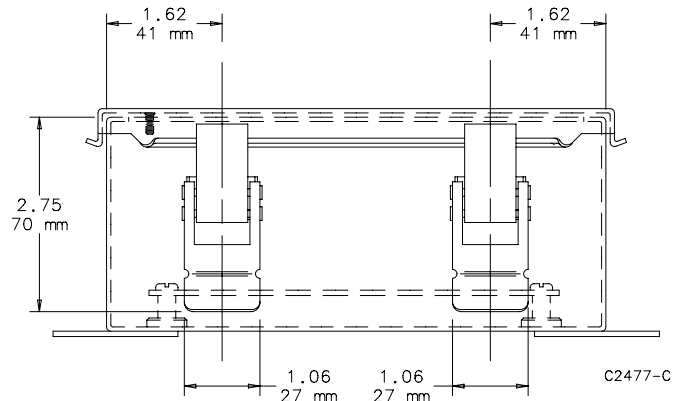
Purchase panels separately. Optional stainless steel, conductive, composite and aluminum panels are available for most sizes.



SECTION Y-Y



$A \leq 8.00$ (203mm)



$A \geq 8.00$ (203mm)



SCREW COVER, CONTOURED, TYPE 4

INDUSTRY STANDARDS

UL 508A Listed; Type 4, 6, 12, 13; File No. E61997
 cUL Listed per CSA C22.2 No. 94; Type 4, 6, 12, 13; File No. E61997

NEMA Type 4, 6, 12, 13
 CSA, File No. 42186: Type 4, 12, 13
 IEC 60529, IP67

APPLICATION

With its aesthetic, rounded corners, this enclosure is an economical solution for a broad range of electrical and terminal wiring applications that do not require a back panel.

SPECIFICATIONS

- Drawn 16 gauge steel (no welded seams or sharp corners)
- Formed flanged cover
- Cover screws
- Oil-resistant gasket
- External wall-mounting brackets
- Bonding provision on cover; grounding nut in body

FINISH

ANSI 61 gray polyester powder paint inside and out

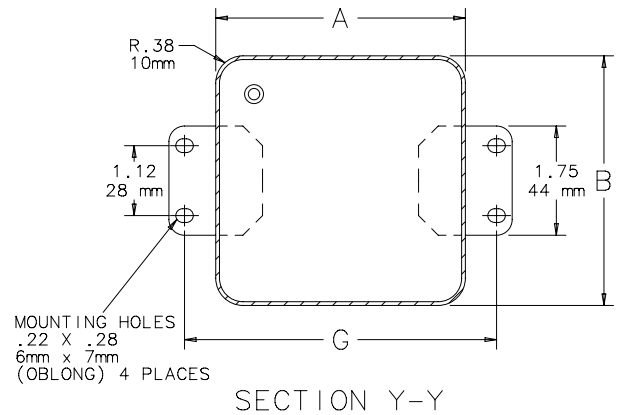
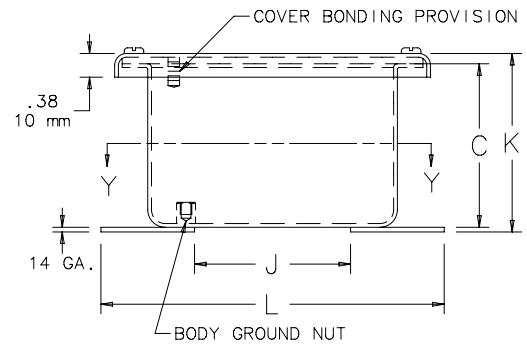
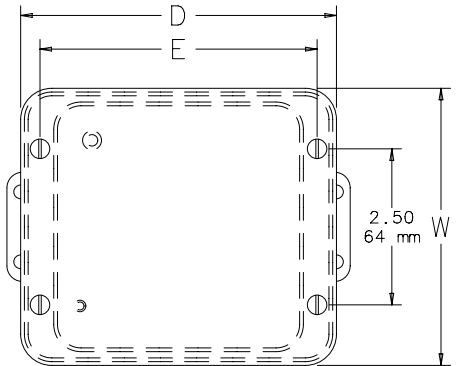
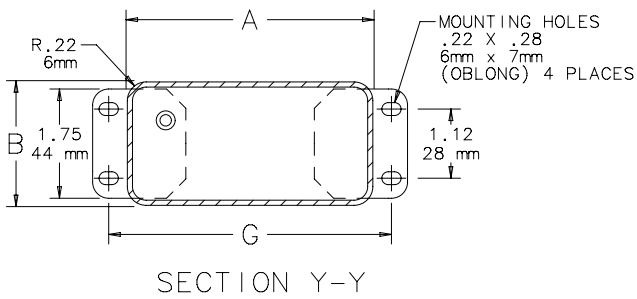
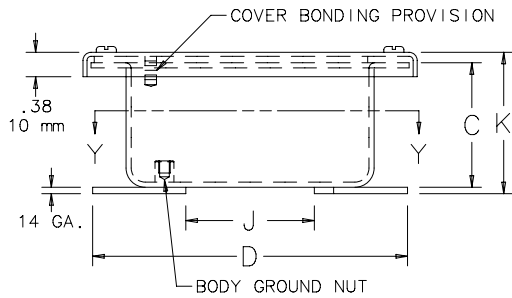
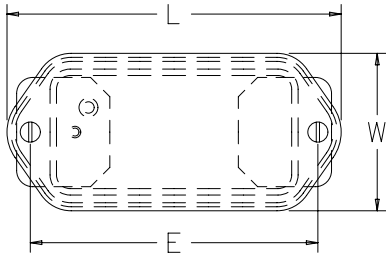
MODIFICATION AND CUSTOMIZATION

Hoffman excels at modifying and customizing products to your specifications. Contact your local Hoffman sales office or distributor for complete information.

BULLETIN: A51DR

Standard Product

Catalog Number	AxBxC in./mm	Interior Volume (in. ³)	Mounting G in./mm	Overall L x W in./mm	D in./mm	E in./mm	J in./mm	K in./mm
A402DSC	4.00 x 2.00 x 2.00	13.9	4.50	5.06 x 2.44	5.00	4.44	2.00	2.24
	102 x 51 x 51		114	129 x 62	127	113	51	57
A403DSC	4.50 x 2.88 x 2.62	30.7	5.00	5.56 x 3.31	5.50	4.94	2.50	2.86
	114 x 73 x 67		127	141 x 84	140	125	64	73
A404DSC	4.00 x 4.00 x 2.62	38.2	5.00	5.50 x 4.44	5.06	4.44	2.50	2.86
	102 x 102 x 37		127	140 x 113	129	113	64	73



C2472-C



SCREW COVER, TYPE 12

APPLICATION

Ideal for a broad range of applications, this enclosure's screw cover is secured in each corner for a positive seal but easily removed for modifications.

SPECIFICATIONS

- 16 or 14 gauge steel
- Seams continuously welded and ground smooth
- Bonding provision on cover
- Oil-resistant gasket
- Weldnuts provided for mounting optional panels and terminal block kits in size 6.00 x 4.00 in. (152 x 102 mm) and larger
- External wall-mounting brackets

FINISH

ANSI 61 gray polyester powder paint inside and out

ACCESSORIES

See also *Accessories*.

Panels for Junction Boxes

Junction Box and Wall-Mount Enclosure Swing Out Panel Kit

Terminal Block Kit Assembly for Junction Boxes Overview

Steel and Stainless Steel Window Kits

MODIFICATION AND CUSTOMIZATION

Hoffman excels at modifying and customizing products to your specifications. Contact your local Hoffman sales office or distributor for complete information.

BULLETIN: A51SC
INDUSTRY STANDARDS

UL 50, 50E Listed; Type 12, 13; File No. E27525
 cUL Listed per CSA C22.2 No. 94; Type 12, 13; File No. E27525
 UL 508A Listed; Type 12, 13; File No. E61997
 cUL Listed per CSA C22.2 No. 94; Type 12, 13; File No. E61997

NEMA/EEMAC: Type 12 and 13

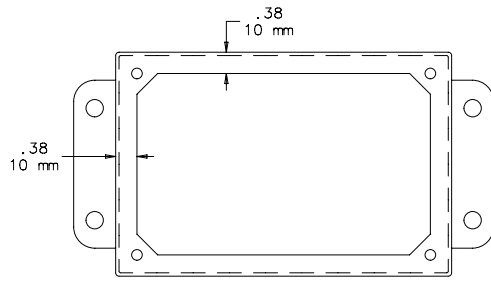
CSA, File No. 42184: Type 12

IEC 60529, IP65

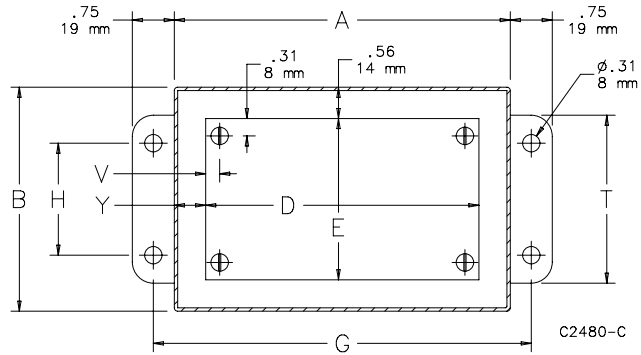
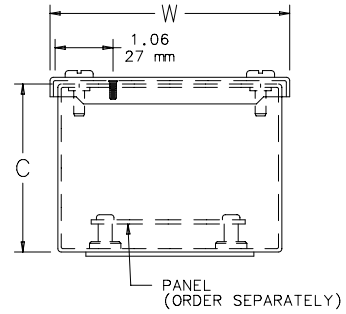
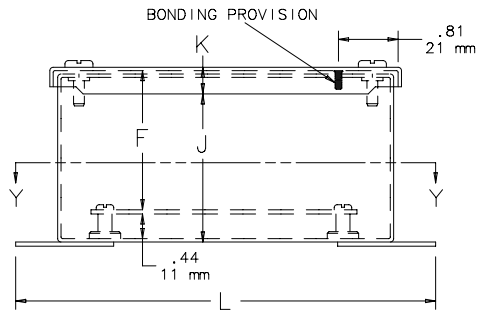
Standard Product

Catalog Number	AxBxC in./mm	Gauge	UL Listed	Panel	Conductive Panel	Panel Size D x E in./mm	Mounting C x H in./mm	Overall L x W in./mm	F in./mm	J in./mm	K in./mm	T in./mm	V in./mm	Y in./mm
A404SC	4.00 x 4.00 x 3.00 102 x 102 x 76	16	508A	No Panel	No Panel	No Panel	4.75 x 2.00 121 x 51	5.50 x 4.23 140 x 107	—	2.50 64	0.66 17	3.00 76	—	—
A604SC	6.00 x 4.00 x 3.00 152 x 102 x 76	16	508A	A6P4	A6P4G	4.88 x 2.88 124 x 73	6.75 x 2.00 171 x 51	7.50 x 4.23 191 x 107	2.53 64	2.50 64	0.66 17	3.00 76	0.318 8	0.56 14
A806SC	8.00 x 6.00 x 3.50 203 x 152 x 89	14	50, 50E	A8P6	A8P6G	6.75 x 4.88 171 x 124	8.75 x 4.00 222 x 102	9.50 x 6.28 241 x 160	3.03 77	3.01 76	0.67 17	5.00 127	0.25 6	0.62 16
A4044SC	4.00 x 4.00 x 4.00 102 x 102 x 102	16	508A	No Panel	No Panel	No Panel	4.75 x 2.00 121 x 51	5.50 x 4.23 140 x 107	—	3.50 89	0.66 17	3.00 76	—	—
A6044SC	6.00 x 4.00 x 4.00 152 x 102 x 102	16	508A	A6P4	A6P4G	4.88 x 2.88 124 x 73	6.75 x 2.00 171 x 51	7.50 x 4.23 191 x 107	3.53 90	3.50 89	0.66 17	3.00 76	0.31 8	0.56 14
A606SC	6.00 x 6.00 x 4.00 152 x 152 x 102	16	50, 50E	A6P6	A6P6G	4.88 x 4.88 124 x 124	6.75 x 4.00 171 x 102	7.50 x 6.28 191 x 160	3.53 90	3.50 89	0.66 17	5.00 127	0.31 8	0.56 14
A808SC	8.00 x 8.00 x 4.00 203 x 203 x 102	14	50, 50E	A8P8	A8P8G	6.75 x 6.88 171 x 175	8.75 x 6.00 222 x 152	9.50 x 8.28 241 x 210	3.53 90	3.51 89	0.67 17	7.00 178	0.25 6	0.62 16
A1008SC	10.00 x 8.00 x 4.00 254 x 203 x 102	14	50, 50E	A10P8	A10P8G	8.75 x 6.88 222 x 175	10.75 x 6.00 273 x 152	11.50 x 8.28 292 x 210	3.53 90	3.51 89	0.67 17	7.00 178	0.25 6	0.62 16
A1010SC	10.00 x 10.00 x 4.00 254 x 254 x 102	14	50, 50E	A10P10	A10P10G	8.75 x 8.88 222 x 226	10.75 x 8.00 273 x 203	11.50 x 10.28 292 x 261	3.53 90	3.51 89	0.67 17	9.00 229	0.25 6	0.62 16
A1210SC	12.00 x 10.00 x 5.00 305 x 254 x 127	14	50, 50E	A12P10	A12P10G	10.75 x 8.88 273 x 226	12.75 x 8.00 324 x 203	13.50 x 10.28 343 x 261	4.53 115	4.51 115	0.67 17	9.00 229	0.25 6	0.62 16
A8066SC	8.00 x 6.00 x 6.00 203 x 152 x 152	14	50, 50E	A8P6	A8P6G	6.75 x 4.88 171 x 124	8.75 x 4.00 222 x 102	9.50 x 6.28 241 x 160	5.53 140	5.51 140	0.67 17	5.00 127	0.25 6	0.62 16
A10086SC	10.00 x 8.00 x 6.00 254 x 203 x 152	14	50, 50E	A10P8	A10P8G	8.75 x 6.88 222 x 175	10.75 x 6.00 273 x 152	11.50 x 8.28 292 x 210	5.53 140	5.51 140	0.67 17	7.00 178	0.25 6	0.62 16
A10106SC	10.00 x 10.00 x 6.00 254 x 254 x 152	14	50, 50E	A10P10	A10P10G	8.75 x 8.88 222 x 226	10.75 x 8.00 273 x 203	11.50 x 10.28 292 x 261	5.53 140	5.51 140	0.67 17	9.00 229	0.25 6	0.62 16
A1212SC	12.00 x 12.00 x 6.00 305 x 305 x 152	14	50, 50E	A12P12	A12P12G	10.75 x 10.88 273 x 276	12.75 x 10.00 324 x 254	13.50 x 12.28 343 x 312	5.53 140	5.51 140	0.67 17	11.00 279	0.25 6	0.62 16
A1412SC	14.00 x 12.00 x 6.00 356 x 305 x 152	14	50, 50E	A14P12	A14P12G	12.75 x 10.88 324 x 276	14.75 x 10.00 375 x 254	15.50 x 12.28 394 x 312	5.53 140	5.51 140	0.67 17	11.00 279	0.25 6	0.62 16
A1614SC	16.00 x 14.00 x 6.00 406 x 356 x 152	14	UL 50	A16P14	A16P14G	14.75 x 12.88 375 x 327	16.75 x 12.00 425 x 305	17.50 x 14.28 445 x 363	5.53 140	5.51 140	0.67 17	13.00 330	0.25 6	0.62 16

Purchase panels separately. Optional stainless steel, conductive, composite and aluminum panels are available for most sizes.



TOP VIEW WITH COVER REMOVED



SECTION Y-Y



1

CLAMP COVER, TYPE 4

INDUSTRY STANDARDS

UL 50, 50E Listed; Type 4, 12, 13; File No. E27525
 cUL Listed per CSA C22.2 No. 94; Type 4, 12, 13; File No. E27525
 UL 508A Listed; Type 4, 12, 13; File No. E61997
 cUL Listed per CSA C22.2 No. 94; Type 4, 12, 13; File No. E61997

NEMA/EEMAC Type 4, 12, 13
 CSA, File No. 42184: Type 4, 12
 IEC 60529, IP66

APPLICATION

Clamps on all four sides securely close this enclosure to protect components in indoor or outdoor applications, yet are easy to remove for access and modifications.

SPECIFICATIONS

- 16 or 14 gauge steel (see table)
- Seams continuously welded and ground smooth
- Stainless steel clamps on four sides of cover
- Bonding provision on cover
- Oil-resistant gasket
- Weldnuts for mounting optional panels and terminal block kits in size 6.00 x 4.00 in. (152 x 102 mm) and larger
- External wall-mounting brackets

FINISH

ANSI 61 gray polyester powder paint inside and out

ACCESSORIES

See also *Accessories*.
 Fast-Operating Clamp-Cover Junction Box Clamp Panels for Junction Boxes
 Junction Box and Wall-Mount Enclosure Swing Out Panel Kit
 Terminal Block Kit Assembly for Junction Boxes

MODIFICATION AND CUSTOMIZATION

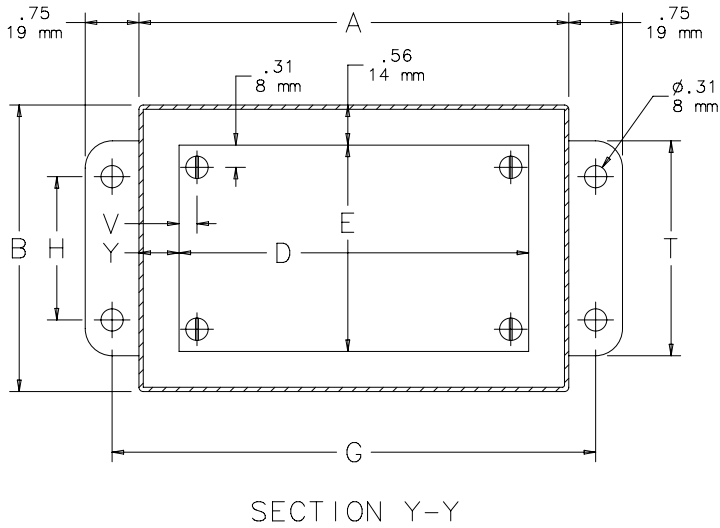
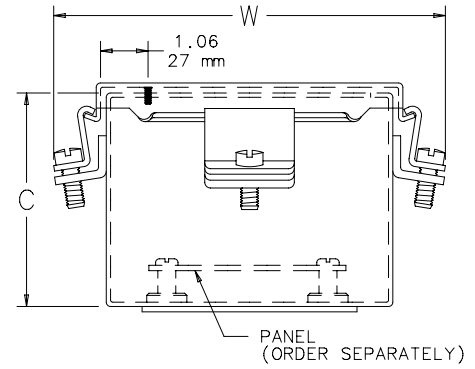
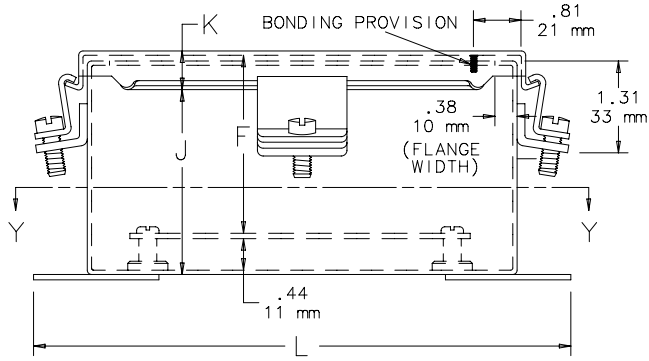
Hoffman excels at modifying and customizing products to your specifications. Contact your local Hoffman sales office or distributor for complete information.

BULLETIN: A51NF

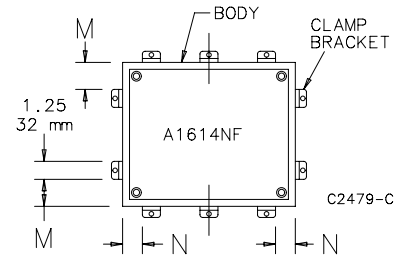
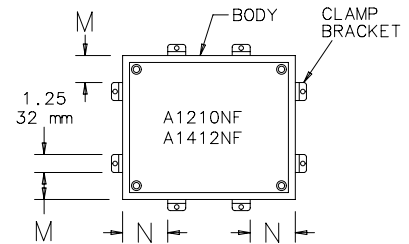
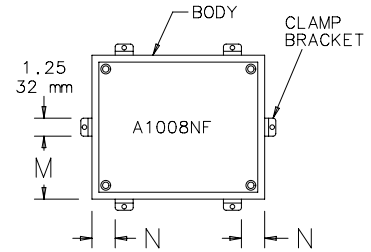
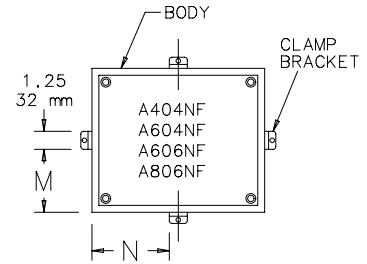
Standard Product

Catalog Number	AxBxC in./mm	UL Listed	Gauge	Panel	Conductive Panel	Panel Size D x E in./mm	Mounting G x H in./mm	Overall L x W in./mm	F in./mm	J in./mm	K in./mm	M in./mm	N in./mm	T in./mm	V in./mm	Y in./mm
A404NF	4.00 x 4.00 x 3.00 102 x 102 x 76	508A	16	No Panel	No Panel	No Panel No Panel	4.75 x 2.00 121 x 51	5.50 x 5.38 140 x 137	—	2.62	0.54	1.38	1.38	3.00	—	—
A604NF	6.00 x 4.00 x 3.00 152 x 102 x 76	508A	16	A6P4	A6P4G	4.88 x 2.88 124 x 73	6.75 x 2.00 171 x 51	7.50 x 5.38 191 x 137	2.53	2.62	0.54	1.38	2.38	3.00	0.31	0.56
A806NF	8.00 x 6.00 x 3.50 203 x 152 x 89	50, 50E	14	A8P6	A8P6G	6.75 x 4.88 171 x 124	8.75 x 4.00 222 x 102	9.50 x 7.38 241 x 187	3.03	3.12	0.56	2.38	3.38	5.00	0.25	0.62
A606NF	6.00 x 6.00 x 4.00 152 x 152 x 102	50, 50E	16	A6P6	A6P6G	4.88 x 4.88 124 x 124	6.75 x 4.00 171 x 102	7.50 x 7.38 191 x 187	3.53	3.62	0.54	2.38	2.38	5.00	0.31	0.56
A1008NF	10.00 x 8.00 x 4.00 254 x 203 x 102	50, 50E	14	A10P8	A10P8G	8.75 x 6.88 222 x 175	10.75 x 6.00 273 x 152	11.50 x 9.38 292 x 238	3.53	3.62	0.56	3.38	1.50	7.00	0.25	0.62
A1210NF	12.00 x 10.00 x 5.00 305 x 254 x 127	50, 50E	14	A12P10	A12P10G	10.75 x 8.88 273 x 225	12.75 x 8.00 324 x 203	13.50 x 11.38 343 x 289	4.53	4.62	0.56	2.00	3.00	9.00	0.25	0.62
A1412NF	14.00 x 12.00 x 6.00 356 x 305 x 152	50, 50E	14	A14P12	A14P12G	12.75 x 10.88 324 x 276	14.75 x 10.00 375 x 254	15.50 x 13.38 394 x 340	5.53	5.62	0.56	2.00	3.00	11.00	0.25	0.62
A1614NF	16.00 x 14.00 x 6.00 406 x 356 x 152	50, 50E	14	A16P14	A16P14G	14.75 x 12.88 375 x 327	16.75 x 12.00 425 x 305	17.50 x 15.38 445 x 391	5.53	5.62	0.56	3.50	1.50	13.00	0.25	0.62

Purchase panels separately. Optional stainless steel, conductive, composite and aluminum panels are available for most sizes.



Clamp Bracket Locations



LIFT-OFF-COVER, TYPE 12

APPLICATION

With a chain-secured, lift-off clamp cover, this enclosure meets basic functionality requirements for housing controls and instrumentation.

SPECIFICATIONS

- 16 or 14 gauge steel (see table)
- Seams continuously welded and ground smooth
- External screw clamps
- Lift-off cover
- Bonding provision on cover
- Chain holds cover to box when cover is removed
- Oil-resistant gasket
- Weldnuts provided for mounting optional panels and terminal block kits in size 6.00 x 4.00 in. (152 x 102 mm) and larger
- External wall-mounting brackets

FINISH

ANSI 61 gray polyester powder paint inside and out

ACCESSORIES

See also *Accessories*.

Clamp Kits

Fast-Operating Clamp-Cover Junction Box Clamp Panels for Junction Boxes

Terminal Block Kit Assembly for Junction Boxes Overview Steel and Stainless Steel Window Kits

MODIFICATION AND CUSTOMIZATION

Hoffman excels at modifying and customizing products to your specifications. Contact your local Hoffman sales office or distributor for complete information.

BULLETIN: A51LP

INDUSTRY STANDARDS

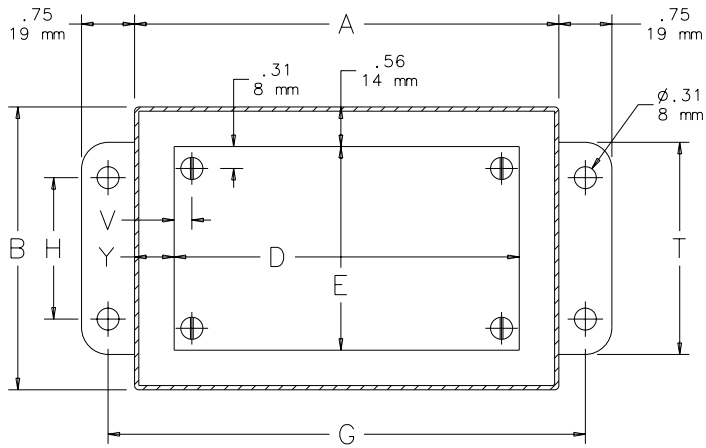
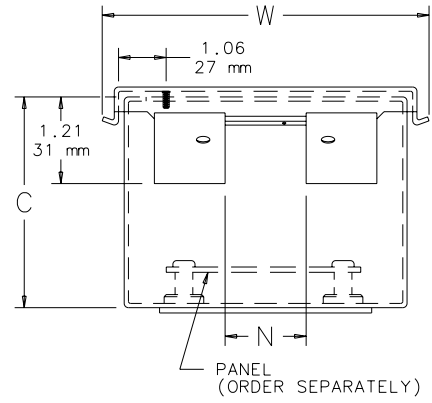
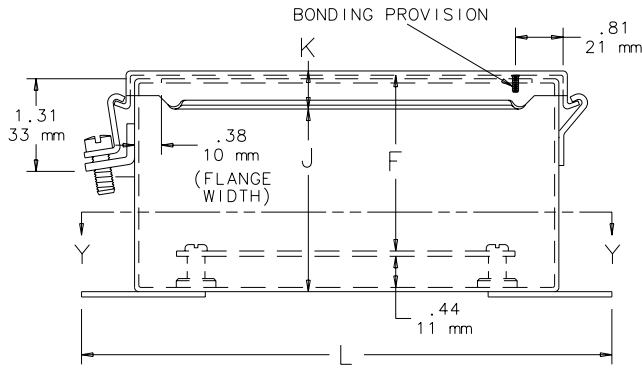
UL 50, 50E Listed; Type 12, 13; File No. E27525
 cUL Listed per CSA C22.2 No. 94; Type 12, 13; File No. E27525
 UL 508A Listed; Type 12, 13; File No. E61997
 cUL Listed per CSA C22.2 No. 94; Type 12, 13; File No. E61997

NEMA/EEMAC Type 12 and 13
 CSA, File No. 42184: Type 12
 IEC 60529, IP65

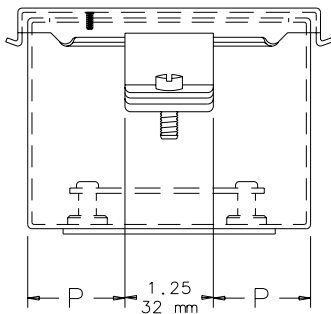
Standard Product

Catalog Number	AxBxC in./mm	Gauge	UL Listed	Panel	Conductive Panel	Panel Size D x E in./mm	Mounting G x H in./mm	Overall L x W in./mm	F in./mm	J in./mm	K in./mm	N in./mm	P in./mm	T in./mm	V in./mm	Y in./mm
A404LP	4.00 x 4.00 x 3.00	16	508A	No Panel	No Panel	No Panel	4.75 x 2.00	5.50 x 4.57	—	2.62	0.54	1.31	1.38	3.00	—	—
	No Panel					121 x 51	140 x 116	—	66	14	33	35	76	—	—	
A604LP	6.00 x 4.00 x 3.00	16	508A	A6P4	A6P4G	4.88 x 2.88	6.75 x 2.00	7.50 x 4.57	2.53	2.62	0.54	1.31	1.38	3.00	0.31	0.56
	124 x 73					171 x 51	191 x 116	64	66	14	33	35	76	8	14	
A806LP	8.00 x 6.00 x 3.50	14	50, 50E	A8P6	A8P6G	6.75 x 4.88	8.75 x 4.00	9.50 x 6.64	3.03	3.12	0.56	2.88	2.38	5.00	0.25	0.62
A4044LP	4.00 x 4.00 x 4.00	16	508A	No Panel	No Panel	No Panel	4.75 x 2.00	5.50 x 4.57	—	3.62	0.54	1.31	1.38	3.00	—	—
	No Panel					121 x 51	140 x 116	—	92	14	33	35	76	—	—	
A6044LP	6.00 x 4.00 x 4.00	16	508A	A6P4	A6P4G	4.88 x 2.88	6.75 x 2.00	7.50 x 4.57	3.53	3.62	0.54	1.31	1.38	3.00	0.31 (8)	0.56
	124 x 73					171 x 51	191 x 116	90	92	14	33	35	76	8	14	
A606LP	6.00 x 6.00 x 4.00	16	50, 50E	A6P6	A6P6G	4.88 x 4.88	6.75 x 4.00	7.50 x 6.57	3.53	3.62	0.54	2.88	2.38	5.00	0.31 (8)	0.56
	124 x 124					171 x 102	191 x 167	90	92	14	73	60	127	8	14	
A1008LP	10.00 x 8.00 x 4.00	14	50, 50E	A10P8	A10P8G	8.75 x 6.88	10.75 x 6.00	11.50 x 8.57	3.53	3.62	0.56	4.00	1.00	7.00	0.25 (6)	0.62
A1210LP	12.00 x 10.00 x 5.00	14	50, 50E	A12P10	A12P10G	10.75 x 8.88	12.75 x 8.00	13.50 x 10.64	4.53	4.62	0.56	6.00	1.00	9.00	0.25 (6)	0.62
	273 x 226					324 x 203	343 x 270	115	117	14	152	25	229	6	16	
A1412LP	14.00 x 12.00 x 6.00	14	50, 50E	A14P12	A14P12G	12.75 x 10.88	14.75 x 10.00	15.50 x 12.64	5.53	5.62	0.56	8.00	1.00	11.00	0.25 (6)	0.62
	324 x 276					375 x 254	394 x 321	140	143	14	203	25	279	6	16	
A1614LP	16.00 x 14.00 x 6.00	14	50, 50E	A16P14	A16P14G	14.75 x 12.88	16.75 x 12.00	17.50 x 14.64	5.53	5.62	0.56	10.00	1.00	13.00	0.25 (6)	0.62
	406 x 356 x 152					375 x 327	425 x 305	445 x 372	140	143	14	254	25	330	6	16

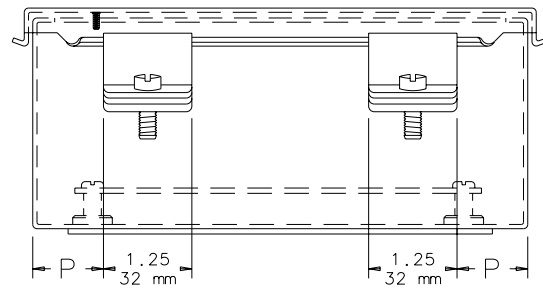
Purchase panels separately. Optional stainless steel, conductive, composite and aluminum panels are available for most sizes.



SECTION Y-Y



$B < 8.00$ (203mm)



$B \geq 8.00$ (203mm)

C2481-C



FLAT AND DOME COVER, CONTOURED, TYPE 4

INDUSTRY STANDARDS

UL 508A Listed; Type 4, 6, 12, 13; File No. E61997
 cUL Listed per CSA C22.2 No. 94; Type 4, 6, 12, 13; File No. E61997

NEMA Type 4, 6, 12, and 13
 CSA, File No. 42186: Type 4, 12, and 13
 IEC 60529, IP67

APPLICATION

An economical solution for a broad range of electrical and terminal wiring applications that don't require a back panel, this enclosure features aesthetic, rounded corners and is available in flat and dome cover models for mounting flexibility.

SPECIFICATIONS

- Drawn 16 gauge steel (no welded seams or sharp corners)
- Cover screws
- Formed flanged cover
- Oil-resistant gasket
- External wall-mounting brackets
- Bonding provision on flat cover; grounding nut in body

FINISH

ANSI 61 gray polyester powder paint inside and out

ACCESSORIES

See also *Accessories* chapter.

MODIFICATION AND CUSTOMIZATION

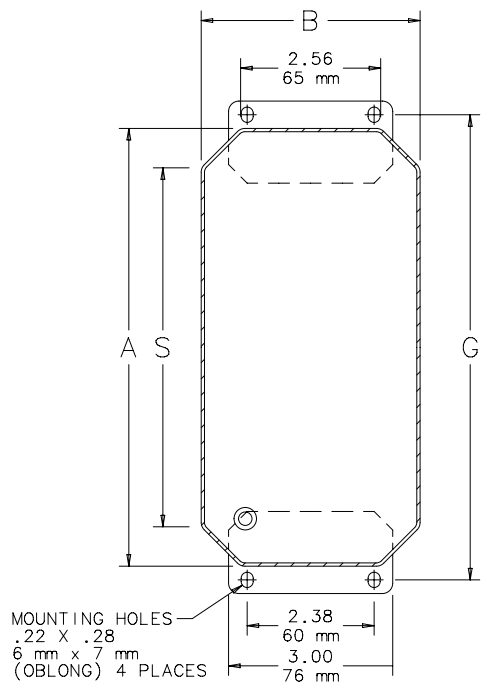
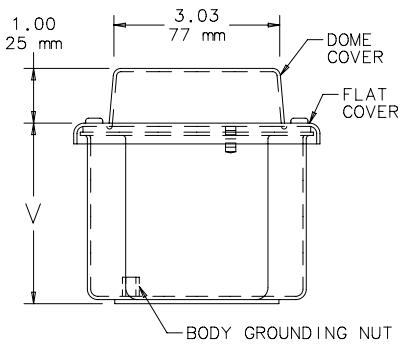
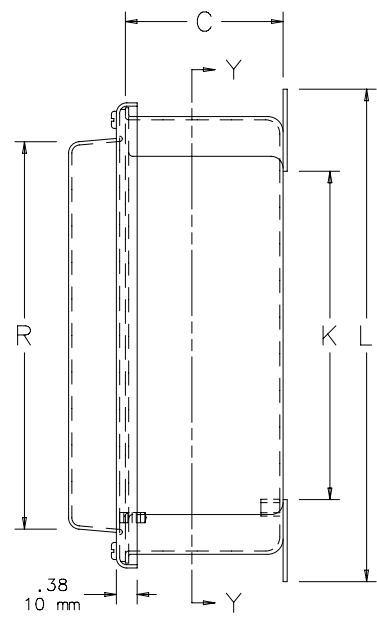
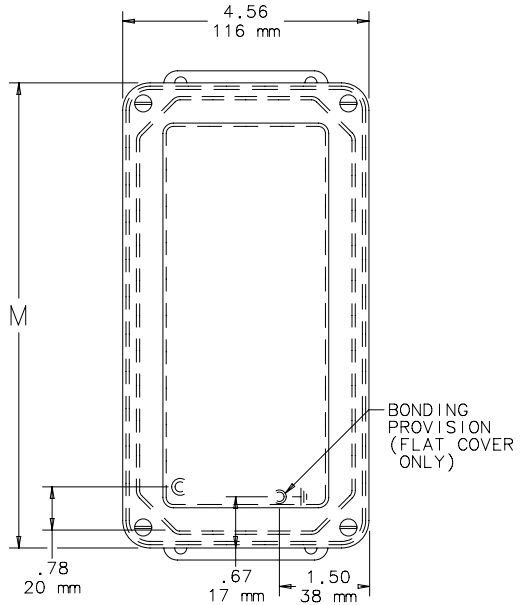
Hoffman excels at modifying and customizing products to your specifications. Contact your local Hoffman sales office or distributor for complete information.

BULLETIN: A51DR

Standard Product

Catalog Number	AxBxC in./mm	Interior Volume (in. ³)	Mounting G in./mm	Cover Type	K in./mm	L in./mm	M in./mm	R in./mm	S in./mm	V in./mm
A443DSC	3.50 x 4.00 x 2.75	32.6	4.00	Flat	1.50	4.50	4.06	n/a	2.06	2.98
	89 x 102 x 70		102		38	114	103	n/a	52	76
A643DSC	5.75 x 4.00 x 2.75	55.9	6.25	Flat	3.75	6.75	6.31	n/a	4.31	2.98
	146 x 102 x 70		159		95	171	160	n/a	109	76
A843DSC	8.00 x 4.00 x 2.75	79.4	8.50	Flat	6.00	9.00	8.56	n/a	6.56	2.98
	203 x 102 x 70		216		152	229	217	n/a	167	76
A1043DSC	10.25 x 4.00 x 2.75	102.8	10.75	Flat	8.25	11.25	10.81	n/a	8.81	2.98
	260 x 102 x 70		273		210	286	275	n/a	224	76
A445DSC	3.50 x 4.00 x 4.75	44.7	4.00	Dome	1.50	4.50	4.06	2.53	2.06	3.98
	89 x 102 x 121		102		38	114	103	64	52	101
A645DSC	5.75 x 4.00 x 4.75	76.9	6.25	Dome	3.75	6.75	6.31	4.78	4.31	3.98
	146 x 102 x 121		159		95	171	160	121	109	101
A845DSC	8.00 x 4.00 x 4.75	109.1	8.50	Dome	6.00	9.00	8.56	7.03	6.56	3.98
	203 x 102 x 121		216		152	229	217	179	167	101
A1045DSC	10.25 x 4.00 x 4.75	141.2	10.75	Dome	8.25	11.25	10.81	9.25	8.81	3.98
	260 x 102 x 121		273		210	286	275	235	224	101

Domed-cover enclosure depth = V + 1 in. (25 mm)



SECTION Y-Y

C2473-C

HINGED COVER, CONTOURED, TYPE 12



APPLICATION

Use in applications where panel or an extra-deep cover for mounting of controls is desired. Protects equipment from indoor contaminants.

SPECIFICATIONS

- Drawn 16 gauge steel; no welded seams or sharp corners
- Cover is removable and interchangeable
- Unique lift-off hinges
- Oil-tight quarter-turn slotted latches
- Oil-resistant gasket
- Weldnuts provided for mounting optional panels
- Bonding provision on door

FINISH

ANSI 61 gray polyester powder paint inside and out

ACCESSORIES

See also Accessories.
 Handle Kit
 Mounting-Bracket Kits
 Panels for Junction Boxes
 Terminal Block Kit Assembly for Junction Boxes Overview
 Steel and Stainless Steel Window Kits

MODIFICATION AND CUSTOMIZATION

Hoffman excels at modifying and customizing products to your specifications. Contact your local Hoffman sales office or distributor for complete information.

BULLETIN: A51

INDUSTRY STANDARDS

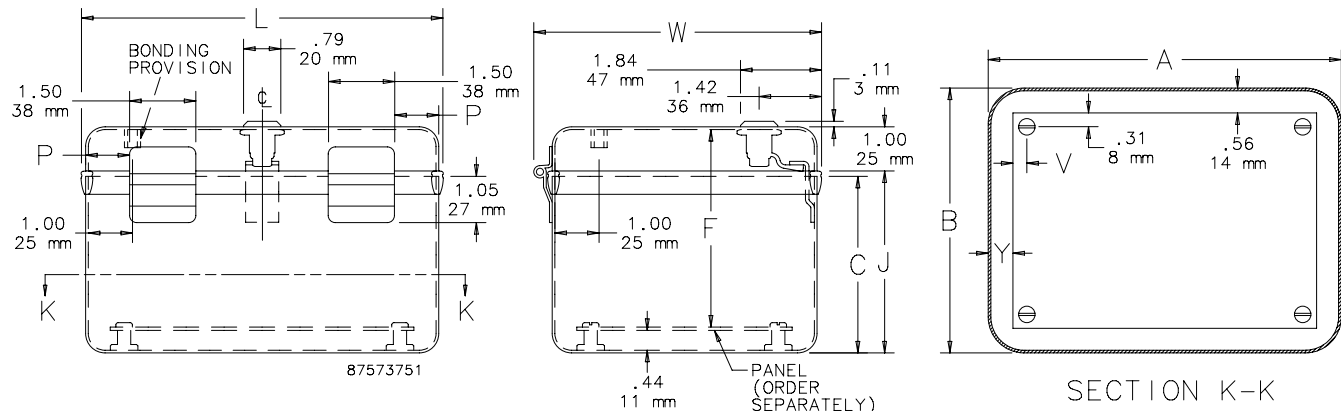
UL 508A Listed; Type 12; File No. E61997
 cUL Listed per CSA C22.2 No. 94; Type 12; File No. E61997

NEMA/EEMAC Type 12
 IEC 60529, IP55

Standard Product

Catalog Number	AxBxC in./mm	Panel	Conductive Panel	Panel Size in./mm	Overall L x W in./mm	F in./mm	J in./mm	P in./mm	V in./mm	Y in./mm
D664IS	6.00 x 4.00 x 4.00	A6P6	A6P6G	4.88 x 4.88	6.09 x 6.45	4.53	4.08	1.12	0.31	0.56
	152 x 102 x 102			124 x 124	155 x 164	115	104	28	8	14
D864IS	8.00 x 6.66 x 4.00	A8P6	A8P6G	6.75 x 4.88	8.09 x 6.45	4.53	4.08	1.12	0.25	0.62
	203 x 169 x 102			171 x 124	205 x 164	115	104	28	6	16
D1084IS	10.00 x 8.00 x 4.00	A10P8	A10P8G	8.75 x 6.88	10.09 x 8.45	4.53	4.08	1.12	0.25	0.62
	254 x 203 x 102			222 x 175	256 x 215	115	104	28	6	16
D12104IS	12.00 x 10.00 x 4.00	A12P10	A12P10G	10.75 x 8.88	12.09 x 10.45	4.53	4.08	1.25	0.25	0.62
	305 x 254 x 102			273 x 226	307 x 265	115	104	32	6	16
D666IS	6.00 x 6.00 x 6.00	A6P6	A6P6G	4.88 x 4.88	6.09 x 6.45	6.53	6.08	1.12	0.31	0.56
	152 x 152 x 152			124 x 124	155 x 164	166	154	28	8	14
D866IS	8.00 x 6.00 x 6.00	A8P6	A8P6G	6.75 x 4.88	8.09 x 6.45	6.53	6.08	1.12	0.25	0.62
	203 x 152 x 152			171 x 124	205 x 164	166	154	28	6	16
D1086IS	10.00 x 8.00 x 6.00	A10P8	A10P8G	8.75 x 6.88	10.09 x 8.45	6.53	6.08	1.12	0.25	0.62
	254 x 203 x 152			222 x 175	256 x 215	166	154	28	6	16
D12106IS	12.00 x 10.00 x 6.00	A12P10	A12P10G	10.75 x 8.88	12.09 x 10.45	6.53	6.08	1.25	0.25	0.62
	305 x 254 x 152			273 x 226	307 x 265	166	154	32	6	16
D12108IS	12.00 x 10.00 x 8.00	A12P10	A12P10G	10.75 x 8.88	12.09 x 10.45	8.53	8.08	1.25	0.25	0.62
	305 x 254 x 203			273 x 226	307 x 265	217	205	32	6	16

Purchase panels separately. Optional stainless steel, conductive, composite and aluminum panels are available for most sizes.

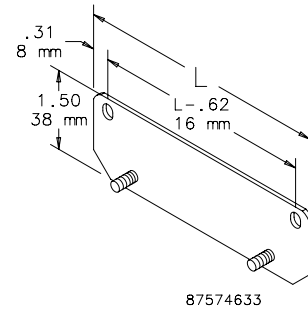


MOUNTING-BRACKET KITS



Includes two 14 gauge steel external mounting brackets and fasteners. Sealing washers are provided to maintain Type 12 rating after installation. Clear plated finish. Requires drilling holes in the enclosure. Mounting template is provided.

BULLETIN: A80



Catalog Number	Use On
DMFK1	Instrumentation enclosures D664IS through D1086IS
DMFK2	Instrumentation enclosures D12104IS through D12108IS

HANDLE KIT



Non-metallic handle for small enclosures. Includes four rubber bumpers that mount on back of enclosure to protect exterior finish. All mounting hardware and complete installation instructions are provided.

BULLETIN: A80

Catalog Number	Description
DHDLK	Handle kit



HINGED COVER, CONTOURED WITH QUICK-RELEASE LATCH, TYPE 12

APPLICATION

Featuring a quick-release latch, mounting brackets, rounded corners and an attractive finish, this enclosure can be used in applications where panel or cover mounting of controls is desired. Ideal for protecting equipment from indoor contaminants.

SPECIFICATIONS

- Drawn 16 gauge steel; no welded seams or sharp corners
- Cover is removable and interchangeable
- Unique lift-off hinges
- Quick-release latches
- Oil-resistant gasket
- Weldnuts for mounting optional panels and terminal block kits
- External wall-mounting brackets
- Bonding provision on door

FINISH

ANSI 61 gray polyester powder paint inside and out

ACCESSORIES

See also *Accessories*.

Panels for Junction Boxes

Terminal Block Kit Assembly for Junction Boxes Overview

Steel and Stainless Steel Window Kits

MODIFICATION AND CUSTOMIZATION

Hoffman excels at modifying and customizing products to your specifications. Contact your local Hoffman sales office or distributor for complete information.

BULLETIN: A51

INDUSTRY STANDARDS

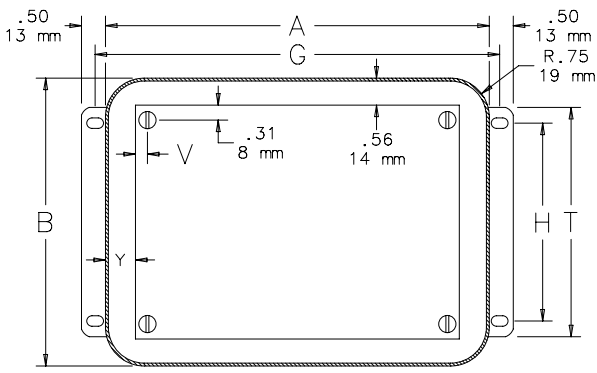
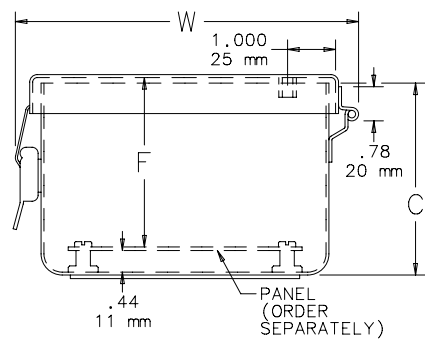
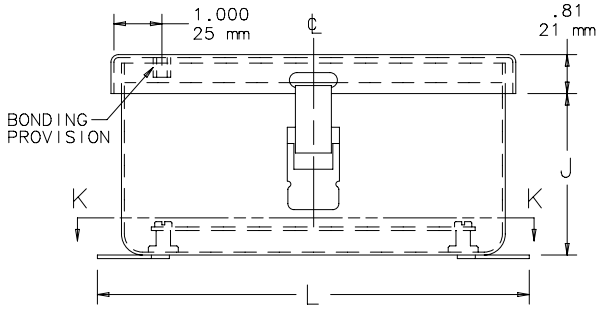
UL 508A Listed; Type 12, 13; File No. E61997
 cUL Listed per CSA C22.2 No. 94; Type 12, 13; File No. E61997

NEMA/EEMAC Type 12 and 13
 IEC 60529, IP65

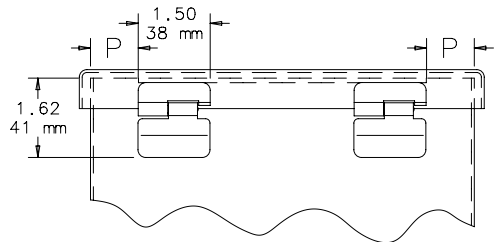
Standard Product

Catalog Number	AxBxC in./mm	Panel	Conductive Panel	Panel Size in./mm	Mounting G x H in./mm	Overall L x W in./mm	F in./mm	J in./mm	P in./mm	T in./mm	V in./mm	Y in./mm
A664DL	6.00 x 6.00 x 4.00	A6P6	A6P6G	4.88 x 4.88	6.50 x 4.12	7.00 x 7.12	3.59	3.33	1.00	4.75	0.31	0.56
	152 x 152 x 102			124 x 124	165 x 105	178 x 181	91	85	25	121	8	14
A864DL	8.00 x 6.00 x 4.00	A8P6	A8P6G	6.75 x 4.88	8.50 x 4.12	9.00 x 7.12	3.59	3.33	1.00	4.75	0.25	0.62
	203 x 152 x 102			171 x 124	216 x 105	229 x 181	91	85	25	121	6	16
A1084DL	10.00 x 8.00 x 4.00	A10P8	A10P8G	8.75 x 6.88	10.50 x 4.12	11.00 x 9.12	3.59	3.33	1.00	4.75	0.25	0.62
	254 x 203 x 102			222 x 175	267 x 105	279 x 232	91	85	25	121	6	16
A12104DL	12.00 x 10.00 x 4.00	A12P10	A12P10G	10.75 x 8.88	12.50 x 8.12	13.00 x 11.12	3.59	3.33	1.25	8.75	0.25	0.62
	305 x 254 x 102			273 x 226	318 x 206	330 x 282	91	85	32	222	6	16
A666DL	6.00 x 6.00 x 6.00	A6P6	A6P6G	4.88 x 4.88	6.50 x 4.12	7.00 x 7.12	5.59	5.33	1.00	4.75	0.31	0.56
	152 x 152 x 152			124 x 124	165 x 105	178 x 181	142	135	25	121	8	14
A866DL	8.00 x 6.00 x 6.00	A8P6	A8P6G	6.75 x 4.88	8.50 x 4.12	9.00 x 7.12	5.59	5.33	1.00	4.75	0.25	0.62
	203 x 152 x 152			171 x 124	216 x 105	229 x 181	142	135	25	121	6	16
A1086DL	10.00 x 8.00 x 6.00	A10P8	A10P8G	8.75 x 6.88	10.50 x 4.12	11.00 x 9.12	5.59	5.33	1.00	4.75	0.25	0.62
	254 x 203 x 152			222 x 175	267 x 105	279 x 232	142	135	25	121	6	16
A12106DL	12.00 x 10.00 x 6.00	A12P10	A12P10G	10.75 x 8.88	12.50 x 8.12	13.00 x 11.12	5.59	5.33	1.25	8.75	0.25	0.62
	305 x 254 x 152			273 x 226	318 x 206	330 x 282	142	135	32	222	6	16
A12108DL	12.00 x 10.00 x 8.00	A12P10	A12P10G	10.75 x 8.88	12.50 x 8.12	13.00 x 11.12	7.59	7.33	1.25	8.75	0.25	0.62
	305 x 254 x 203			273 x 226	318 x 206	330 x 282	193	186	32	222	6	16

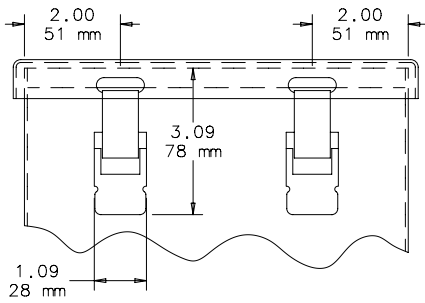
Purchase panels separately. Optional stainless steel, conductive, composite and aluminum panels are available for most sizes.



SECTION K-K

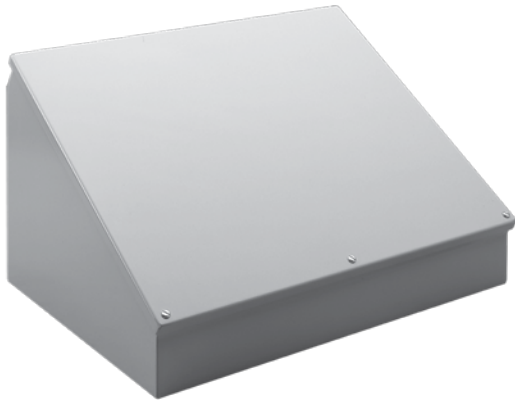


View showing hinge side of box.



View showing latch side of box when two latches are used. When A=12.00 (305mm), use two latches.



CONSOLETS


1

INDUSTRY STANDARDS

 UL 508A Listed; Type 12, 13; File No. E61997
 cUL Listed per CSA C22.2 No. 94; Type 12, 13; File No. E61997

 NEMA/EEMAC Type 12, 13
 CSA File Number 42186: Type 12
 IEC 60529, IP65

APPLICATION

Consolets are ideal for mounting small control or instrumentation devices where the desirable access requires a 30- or 60-degree surface. These enclosures can be mounted on either of two sides for placement on desktops, pedestals or other flat surfaces.

SPECIFICATIONS

- 14 gauge steel
- Seams continuously welded and ground smooth; no holes or knockouts
- Captivated cover screws thread into sealed wells
- Bonding provision on cover
- Oil-resistant gasket and adhesive
- Control panel attached with continuous hinge along bottom edge

FINISH

ANSI 61 gray polyester powder paint inside and out over pretreated surfaces.

ACCESSORIES

See also Accessories.

Industrial Corrosion Inhibitors
 Latch Kits for Type 4 and 12 Enclosures
 Mounting Bracket Kits
 Touch-Up Paint
 Steel and Stainless Steel Window Kits

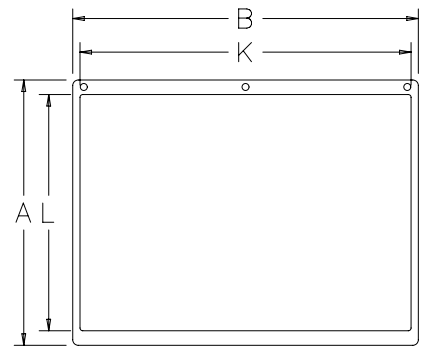
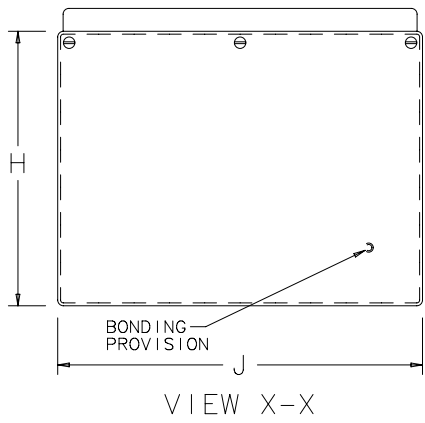
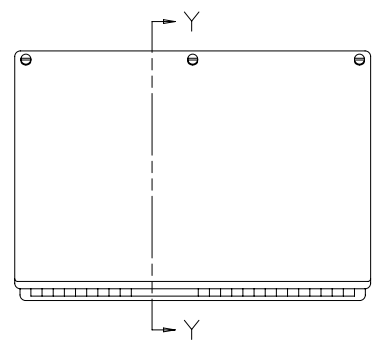
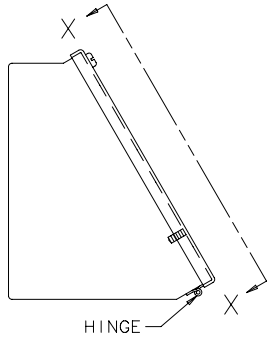
NOTES

See the Stainless Steel chapter for information on related stainless steel products.

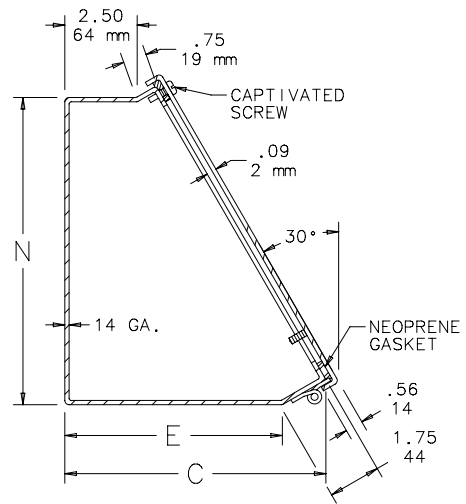
BULLETIN: C5, P1

Standard Product Consolets

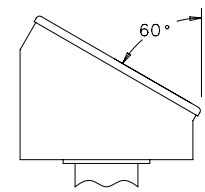
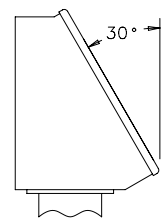
Catalog Number	AxBxC in./mm	E in./mm	H in./mm	J in./mm	K in./mm	L in./mm	N in./mm
C8C8	8.00 x 8.00 x 7.09	5.62	8.28	8.28	7.50	6.62	7.44
	203 x 203 x 180	143	210	210	191	168	189
C8C12	8.00 x 12.00 x 7.09	5.62	8.28	12.28	11.50	6.62	7.44
	203 x 305 x 180	143	210	312	292	168	189
C8C16	8.00 x 16.00 x 7.09	5.62	8.28	16.28	15.50	6.62	7.44
	203 x 406 x 180	143	210	414	394	168	189
C8C20	8.00 x 20.00 x 7.09	5.62	8.28	20.28	19.50	6.62	7.44
	203 x 508 x 180	143	210	515	495	168	189
C12C12	12.00 x 12.00 x 9.09	7.62	12.28	12.28	11.50	10.62	10.91
	305 x 305 x 231	194	312	312	292	270	277
C12C16	12.00 x 16.00 x 9.09	7.62	12.28	16.28	15.50	10.62	10.91
	305 x 406 x 231	194	312	414	394	270	277
C12C20	12.00 x 20.00 x 9.09	7.62	12.28	20.28	19.50	10.62	10.91
	305 x 508 x 231	194	312	515	495	270	277
C12C24	12.00 x 24.00 x 9.09	7.62	12.28	24.28	23.50	10.62	10.91
	305 x 610 x 231	194	312	617	597	270	277
C16C16	16.00 x 16.00 x 11.09	9.62	16.28	16.28	15.50	14.62	14.38
	406 x 406 x 282	244	414	414	394	371	365
C16C20	16.00 x 20.00 x 11.09	9.62	16.28	20.28	19.50	14.62	14.38
	406 x 508 x 282	244	414	515	495	371	365
C16C24	16.00 x 24.00 x 11.09	9.62	16.28	24.28	23.50	14.62	14.38
	406 x 610 x 282	244	414	617	597	371	365
C16C30	16.00 x 30.00 x 11.09	9.62	16.28	30.28	29.50	14.62	14.38
	406 x 762 x 282	244	414	769	749	371	365
C16C36	16.00 x 36.00 x 11.09	9.62	16.28	36.28	35.50	14.62	14.38
	406 x 914 x 282	244	414	922	902	371	365
C20C20	20.00 x 20.00 x 13.09	11.62	20.28	20.28	18.62	18.62	17.84
	508 x 508 x 332	295	515	515	473	473	453
C20C24	20.00 x 24.00 x 13.09	11.62	20.28	24.28	22.62	18.62	17.84
	508 x 610 x 332	295	515	617	575	473	453
C20C30	20.00 x 30.00 x 13.09	11.62	20.28	30.28	28.62	18.62	17.84
	508 x 762 x 332	295	515	769	727	473	453



VIEW X-X
with cover removed



SECTION Y-Y



C2760-C

Standard Product **Pedestal Columns and Bases for Consoles**

Catalog Number	AxBxC in./mm	Description
A44CCOL	35.00 x 4.00 x 4.00 889 x 102 x 102	Straight Pedestal Column
A66CCOL	35.00 x 6.00 x 6.00 889 x 152 x 152	Straight Pedestal Column
A18SBASE	18.00 x 18.00 457 x 457	Pedestal Base
A24SBASE	24.00 x 24.00 610 x 610	Pedestal Base

DRAWN PUSHBUTTON ENCLOSURES, TYPE 4

APPLICATION

Drawn Pushbutton Enclosures are designed to hold 30.5-mm or 22.5-mm 4-way pushbuttons and switches. These enclosures have no welded seams or sharp corners.

SPECIFICATIONS

- Drawn 16 gauge steel; no welded seams or sharp corners
- Cover screws outside gasket sealing surface
- Flat or domed flanged cover
- Grounding nut in body of enclosure
- Bonding provision on cover
- Oil-resistant gasket
- External wall-mounting brackets
- Factory stamped 4-way pushbutton holes

FINISH

ANSI 61 gray polyester powder paint inside and out

ACCESSORIES

See also Accessories.

Industrial Corrosion Inhibitors
HOL-SEALERS™ Hole Seals

BULLETIN: PB1
INDUSTRY STANDARDS

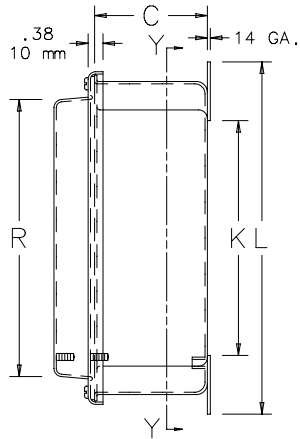
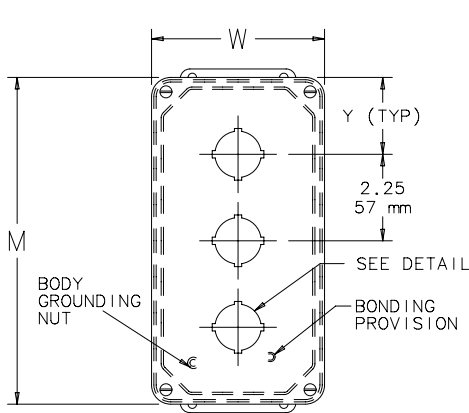
UL 508A Listed; Type 4, 12, 13; File No. E61997
cUL Listed per CSA C22.2 No. 94; Type 4, 12, 13; File No. E61997

NEMA/EEMAC Type 4, 12, 13
IEC 60529, IP66

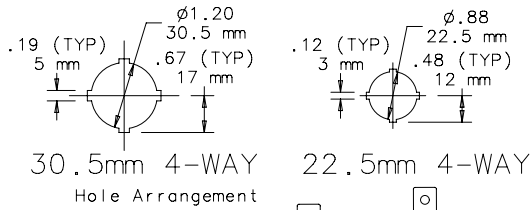
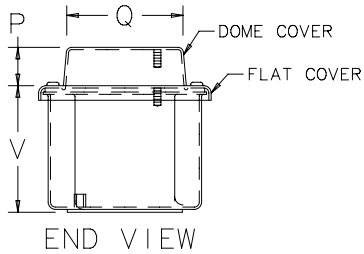
Standard Product

Catalog Number	AxBxC in./mm	Hole Size	Number of Holes	Mounting G x H in./mm	Cover Type	Enclosure Depth														
						P + V in./mm	F in./mm	K in./mm	L in./mm	M in./mm	P in./mm	Q in./mm	R in./mm	S in./mm	T in./mm	V in./mm	W in./mm	Y in./mm		
ED1PB1	4.50 x 2.88 x 2.62 114 x 73 x 67	30.5 mm	1	5.00 x 1.12 127 x 29	Flat	—	—	—	—	—	—	—	—	—	—	—	—	—	—	2.78 71
ED1PB2	3.50 x 4.00 x 2.75 89 x 102 x 70	30.5 mm	1	4.00 x 2.38 102 x 60	Flat	—	3.00 76	1.50 38	4.50 114	4.00 102	—	—	—	2.06 52	2.56 65	2.98 76	4.50 114	2.00 51	—	—
ED2PB	5.75 x 4.00 x 2.75 146 x 102 x 70	30.5 mm	2	6.25 x 2.38 159 x 60	Flat	—	3.00 76	3.75 95	6.75 171	6.25 159	—	—	—	4.31 109	2.56 65	2.98 76	4.50 114	2.00 51	—	—
ED3PB	8.00 x 4.00 x 2.75 203 x 102 x 70	30.5 mm	3	8.50 x 2.38 216 x 60	Flat	—	3.00 76	6.00 152	9.00 229	8.50 216	—	—	—	6.56 167	2.56 65	2.98 76	4.50 114	2.00 51	—	—
ED4PB	10.25 x 4.00 x 2.75 260 x 102 x 70	30.5 mm	4	10.75 x 2.38 273 x 60	Flat	—	3.00 76	8.25 210	11.25 286	10.75 273	—	—	—	8.81 224	2.56 65	2.98 76	4.50 114	2.00 51	—	—
ED1PBX	3.50 x 4.00 x 3.75 89 x 102 x 95	30.5 mm	1	4.00 x 2.38 102 x 60	Dome	4.98 126	3.00 76	1.50 38	4.50 114	4.00 102	1.00 25	3.03 77	2.53 64	2.06 52	2.56 65	3.98 101	4.50 114	2.00 51	—	—
ED1PBXM	3.50 x 4.00 x 3.75 89 x 102 x 95	22.5 mm	1	4.00 x 2.38 102 x 60	Dome	4.98 126	3.00 76	1.50 38	4.50 114	4.00 102	1.00 25	3.03 77	2.53 64	2.06 52	2.56 65	3.98 101	4.50 114	2.00 51	—	—
ED2PBX	5.75 x 4.00 x 3.75 146 x 102 x 95	30.5 mm	2	6.25 x 2.38 159 x 60	Dome	4.98 126	3.00 76	3.75 95	6.75 171	6.25 159	1.00 25	3.03 77	4.78 121	4.31 109	2.56 65	3.98 101	4.50 114	2.00 51	—	—
ED2PBXM	5.75 x 4.00 x 3.75 146 x 102 x 95	22.5 mm	2	6.25 x 2.38 159 x 60	Dome	4.98 126	3.00 76	3.75 95	6.75 171	6.25 159	1.00 25	3.03 77	4.78 121	4.31 109	2.56 65	3.98 101	4.50 114	2.00 51	—	—
ED3PBX	8.00 x 4.00 x 3.75 203 x 102 x 95	30.5 mm	3	8.50 x 2.38 216 x 60	Dome	4.98 126	3.00 76	6.00 152	9.00 229	8.50 216	1.00 25	3.03 77	7.03 179	6.56 167	2.56 65	3.98 101	4.50 114	2.00 51	—	—
ED3PBXM	8.00 x 4.00 x 3.75 203 x 102 x 95	22.5 mm	3	8.50 x 2.38 216 x 60	Dome	4.98 126	3.00 76	6.00 152	9.00 229	8.50 216	1.00 25	3.03 77	7.03 179	6.56 167	2.56 65	3.98 101	4.50 114	2.00 51	—	—
ED4PBX	10.25 x 4.00 x 3.75 260 x 102 x 95	30.5 mm	4	10.75 x 2.38 273 x 60	Dome	4.98 126	3.00 76	8.25 210	11.25 286	10.75 273	1.00 25	3.03 77	9.25 235	8.81 224	2.56 65	3.98 101	4.50 114	2.00 51	—	—
ED4PBXM	10.25 x 4.00 x 3.75 260 x 102 x 95	22.5 mm	4	10.75 x 2.38 273 x 60	Dome	4.98 126	3.00 76	8.25 210	11.25 286	10.75 273	1.00 25	3.03 77	9.25 235	8.81 224	2.56 65	3.98 101	4.50 114	2.00 51	—	—
ED1PBM1	4.50 x 2.88 x 2.62 114 x 73 x 67	22.5 mm	1	5.00 x 1.12 127 x 29	Flat	—	—	—	—	—	—	—	—	—	—	—	—	—	—	2.78 71
ED1PBM2	3.50 x 4.00 x 3.75 89 x 102 x 95	22.5 mm	1	4.00 x 2.38 102 x 60	Flat	—	3.00 76	1.50 38	4.50 114	4.00 102	—	—	—	2.06 52	2.56 65	3.98 101	4.50 114	2.00 51	—	—
ED2PBM	5.75 x 4.00 x 3.75 146 x 102 x 95	22.5 mm	2	6.25 x 2.38 159 x 60	Flat	—	3.00 76	3.75 95	6.75 171	6.25 159	—	—	—	4.31 109	2.56 65	3.98 101	4.50 114	2.00 51	—	—
ED3PBM	8.00 x 4.00 x 3.75 203 x 102 x 95	22.5 mm	3	8.50 x 2.38 216 x 60	Flat	—	3.00 76	6.00 152	9.00 229	8.50 216	—	—	—	6.56 167	2.56 65	3.98 101	4.50 114	2.00 51	—	—
ED4PBM	10.25 x 4.00 x 3.75 260 x 102 x 95	22.5 mm	4	10.75 x 2.38 273 x 60	Flat	—	3.00 76	8.25 210	11.25 286	10.75 273	—	—	—	8.81 224	2.56 65	3.98 101	4.50 114	2.00 51	—	—

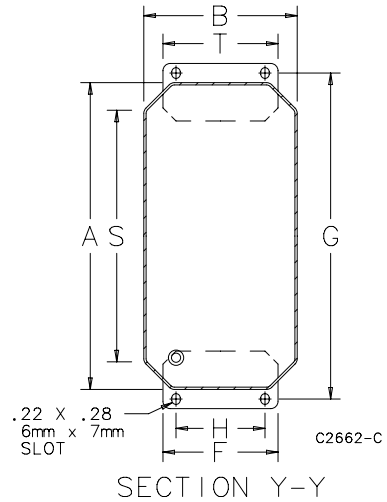
For dimensions of the ED1PB1 and ED1PBM1 enclosures, see catalog number A403DSC in Mild Steel: Screw Cover, Contoured, Type 4. "Y" dimension locates pushbutton hole.

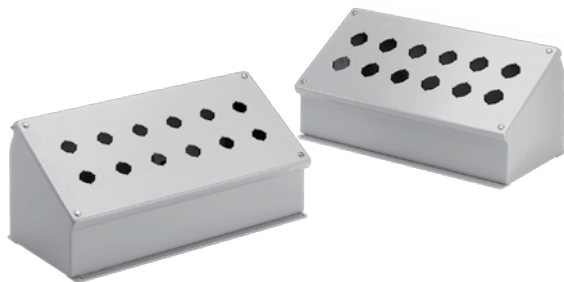


NOTE:
 1. External mounting brackets are 14 gauge steel.
 2. These drawings do not apply to catalog numbers EDIPB1 and EDIPBM1. For enclosure dimensions, see catalog number A403DSC in Mild Steel chapter, Screw Cover, Contoured, Type 4 (S-2927)



 ED1PB1 ED1PB2 ED1PBX ED1PBM1 ED1PBXM	 ED2PB ED2PBX ED2PBM ED2PBXM	 ED3PB ED3PBX ED3PBM ED3PBXM	 ED4PB ED4PBX ED4PBM ED4PBXM
--	--	--	--



SLOPED-FRONT 30.5-MM AND 22.5-MM PUSHBUTTON ENCLOSURES, TYPE 12

SPECIFICATIONS

- 14 gauge steel
- Seams continuously welded and ground smooth
- Captivated cover screws thread into sealed wells
- Grounding nut in body of enclosure
- Bonding provision on cover
- Oil-resistant gasket
- Factory stamped 4-way pushbutton holes
- Enclosures 7.25 x 6.25 x 6.75 in. (184 x 159 x 171 mm) and larger have internal detachable hinge to hold cover open during wiring, yet permit immediate removal
- External mounting brackets

FINISH

ANSI 61 gray polyester powder paint inside and out

ACCESSORIES

See also Accessories.
 Industrial Corrosion Inhibitors
 HOL-SEALERS™ Hole Seals
 Tamper-Resistant Screws

BULLETIN: PB1
INDUSTRY STANDARDS

UL 508A Listed; Type 12, 13; File No. E61997
 cUL Listed per CSA C22.2 No. 94; Type 12, 13; File No. E61997

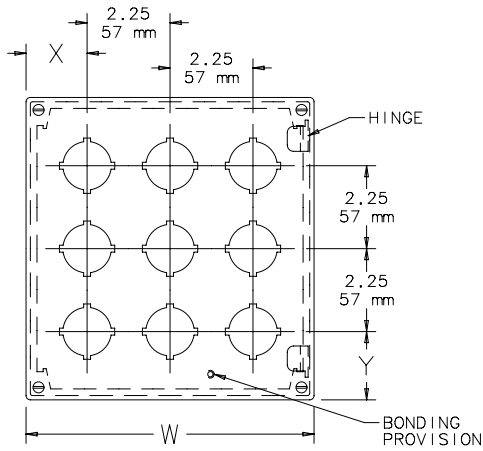
NEMA/EEMAC Type 12, 13
 CSA File Number 42186: Type 12
 IEC 60529, IP65

APPLICATION

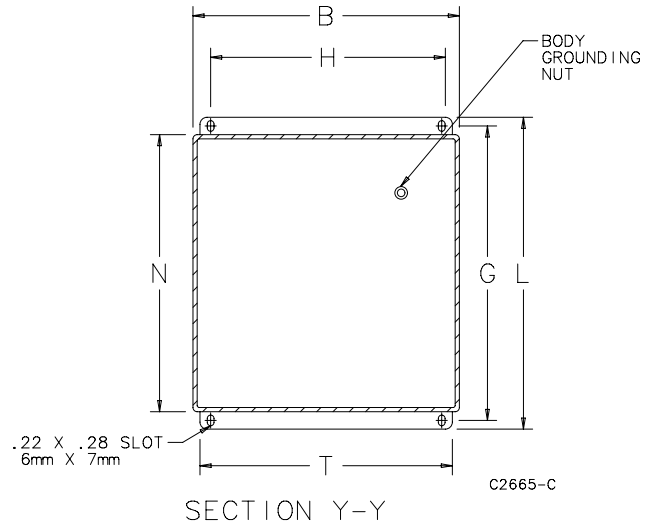
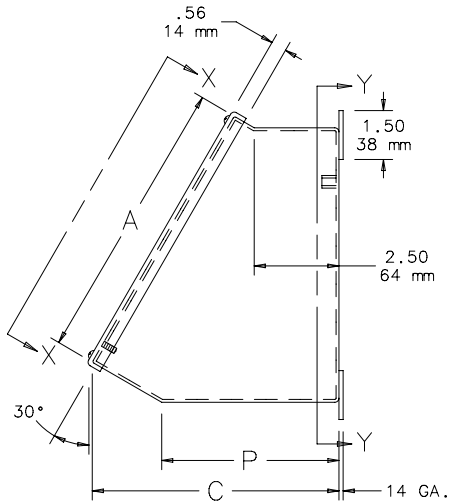
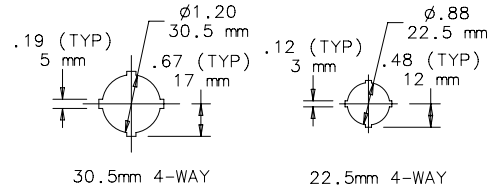
These Sloped Front Pushbutton Enclosures are designed to hold 30.5-mm or 22.5-mm pushbuttons and switches where slanted control surfaces are desired.

Standard Product

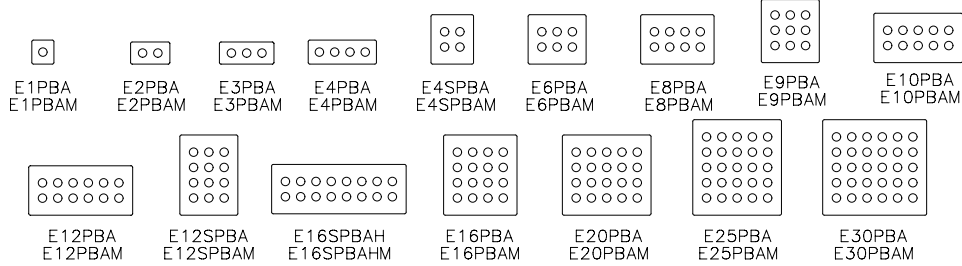
Catalog Number	AxBxC in.	AxBxC mm	Hole Size	No. of Holes	Mounting G x H (in.)	Mounting G x H (mm)	Overall L x W (in.)	Overall L x W (mm)	N (in.)	N (mm)	P (in.)	P (mm)	T (in.)	T (mm)	X (in.)	X (mm)	Y (in.)	Y (mm)
E1PBA	3.50 x 3.25 x 4.88	89 x 83 x 124	30.5 mm	1	4.03 x 2.38	102 x 60	4.53 x 3.47	115 x 88	3.53	90	3.34	85	3.00	76	1.73	44	1.86	47
E1PBAM	3.50 x 3.25 x 4.84	89 x 83 x 123	22.5 mm	1	4.03 x 2.38	102 x 60	4.53 x 3.47	115 x 88	3.53	90	3.34	85	3.00	76	1.73	44	1.86	47
E2PBA	3.50 x 5.50 x 4.88	89 x 140 x 124	30.5 mm	2	4.03 x 4.62	102 x 117	4.53 x 5.72	115 x 145	3.53	90	3.34	85	5.25	133	1.73	44	1.86	47
E2PBAM	3.50 x 5.50 x 4.84	89 x 140 x 123	22.5 mm	2	4.03 x 4.62	102 x 117	4.53 x 5.72	115 x 145	3.53	90	3.34	85	5.25	133	1.73	44	1.86	47
E3PBA	3.50 x 7.75 x 4.88	89 x 197 x 124	30.5 mm	3	4.03 x 6.88	102 x 175	4.53 x 7.97	115 x 202	3.53	90	3.34	85	7.50	191	1.73	44	1.86	47
E3PBAM	3.50 x 7.75 x 4.84	89 x 197 x 123	22.5 mm	3	4.03 x 6.88	102 x 175	4.53 x 7.97	115 x 202	3.53	90	3.34	85	7.50	191	1.73	44	1.86	47
E4PBA	3.50 x 10.00 x 4.88	89 x 254 x 124	30.5 mm	4	4.03 x 9.12	102 x 232	4.53 x 10.22	115 x 260	3.53	90	3.34	85	9.75	248	1.73	44	1.86	47
E4PBAM	3.50 x 10.00 x 4.84	89 x 254 x 123	22.5 mm	4	4.03 x 9.12	102 x 232	4.53 x 10.22	115 x 260	3.53	90	3.34	85	9.75	248	1.73	44	1.86	47
E4SPBA	7.25 x 6.25 x 6.75	184 x 159 x 171	30.5 mm	4	7.28 x 5.38	185 x 137	7.78 x 6.47	198 x 164	6.78	172	5.22	133	6.00	152	2.11	54	2.61	66
E4SPBAM	7.25 x 6.25 x 6.75	184 x 159 x 171	22.5 mm	4	7.28 x 5.38	185 x 137	7.78 x 6.47	198 x 164	6.78	172	5.22	133	6.00	152	2.11	54	2.61	66
E6PBA	7.25 x 8.50 x 6.75	184 x 216 x 171	30.5 mm	6	7.28 x 7.62	185 x 194	7.78 x 8.72	198 x 221	6.78	172	5.22	133	8.25	210	2.11	54	2.61	66
E6PBAM	7.25 x 8.50 x 6.75	184 x 216 x 171	22.5 mm	6	7.28 x 7.62	185 x 194	7.78 x 8.72	198 x 221	6.78	172	5.22	133	8.25	210	2.11	54	2.61	66
E8PBA	7.25 x 10.75 x 6.75	184 x 273 x 171	30.5 mm	8	7.28 x 9.88	185 x 251	7.78 x 10.97	198 x 279	6.78	172	5.22	133	10.50	267	2.11	54	2.61	66
E8PBAM	7.25 x 10.75 x 6.75	184 x 273 x 171	22.5 mm	8	7.28 x 9.88	185 x 251	7.78 x 10.97	198 x 279	6.78	172	5.22	133	10.50	267	2.11	54	2.61	66
E9PBA	9.50 x 8.50 x 7.88	241 x 216 x 200	30.5 mm	9	9.25 x 7.62	235 x 194	9.73 x 8.72	247 x 221	8.73	222	6.34	161	8.25	210	2.11	54	2.61	66
E9PBAM	9.50 x 8.50 x 7.88	241 x 216 x 200	22.5 mm	9	9.25 x 7.62	235 x 194	9.73 x 8.72	247 x 221	8.73	222	6.34	161	8.25	210	2.11	54	2.61	66
E10PBA	7.25 x 13.00 x 6.75	184 x 330 x 171	30.5 mm	10	7.28 x 12.12	185 x 308	7.78 x 13.22	198 x 336	6.78	172	5.22	133	12.75	324	2.11	54	2.61	66
E10PBAM	7.25 x 13.00 x 6.75	184 x 330 x 171	22.5 mm	10	7.28 x 12.12	185 x 308	7.78 x 13.22	198 x 336	6.78	172	5.22	133	12.75	324	2.11	54	2.61	66
E12PBA	7.25 x 15.25 x 6.75	184 x 387 x 171	30.5 mm	12	7.28 x 14.38	185 x 365	7.78 x 15.47	198 x 393	6.78	172	5.22	133	15.00	381	2.11	54	2.61	66
E12PBAM	7.25 x 15.25 x 6.75	184 x 387 x 171	22.5 mm	12	7.28 x 14.38	185 x 365	7.78 x 15.47	198 x 393	6.78	172	5.22	133	15.00	381	2.11	54	2.61	66
E12SPBA	11.25 x 8.50 x 9.00	286 x 216 x 229	30.5 mm	12	11.19 x 7.62	284 x 194	11.69 x 8.72	297 x 221	10.69	272	7.47	190	8.25	210	2.11	54	2.61	66
E12SPBAM	11.25 x 8.50 x 9.00	298 x 216 x 229	22.5 mm	12	11.19 x 7.62	284 x 194	11.69 x 8.72	297 x 221	10.69	272	7.47	190	8.25	210	2.11	54	2.61	66
E16SPBAH	7.25 x 19.75 x 6.75	184 x 502 x 171	30.5 mm	16	7.28 x 18.88	185 x 480	7.78 x 19.97	198 x 507	6.78	172	5.22	133	19.50	495	2.11	54	2.61	66
E16SPBAHM	7.25 x 19.75 x 6.75	184 x 502 x 171	22.5 mm	16	7.28 x 18.88	185 x 480	7.78 x 19.97	198 x 507	6.78	172	5.22	133	19.50	495	2.11	54	2.61	66
E16PBA	11.75 x 10.75 x 9.00	298 x 273 x 229	30.5 mm	16	11.19 x 9.88	284 x 251	11.69 x 10.97	297 x 279	10.69	272	7.47	190	10.50	267	2.11	54	2.61	66
E16PBAM	11.75 x 10.75 x 9.00	298 x 273 x 229	22.5 mm	16	11.19 x 9.88	284 x 251	11.69 x 10.97	297 x 279	10.69	272	7.47	190	10.50	267	2.11	54	2.61	66
E20PBA	11.75 x 13.00 x 9.00	298 x 330 x 229	30.5 mm	20	11.19 x 12.12	284 x 308	11.69 x 13.22	297 x 336	10.69	272	7.49	190	12.75	324	2.11	54	2.61	66
E20PBAM	11.75 x 13.00 x 9.00	298 x 330 x 229	22.5 mm	20	11.19 x 12.12	284 x 308	11.69 x 13.22	297 x 336	10.69	272	7.49	190	12.75	324	2.11	54	2.61	66
E25PBA	14.00 x 13.00 x 10.12	356 x 330 x 257	30.5 mm	25	13.12 x 12.12	333 x 308	13.62 x 13.22	346 x 336	12.62	321	8.59	218	12.75	324	2.11	54	2.61	66
E25PBAM	14.00 x 13.00 x 10.12	356 x 330 x 257	22.5 mm	25	13.12 x 12.12	333 x 308	13.62 x 13.22	346 x 336	12.62	321	8.59	218	12.75	324	2.11	54	2.61	66
E30PBA	14.00 x 15.00 x 10.12	356 x 381 x 257	30.5 mm	30	13.12 x 14.38	333 x 365	13.62 x 15.47	346 x 393	12.62	321	8.59	218	15.00	381	2.11	54	2.61	66
E30PBAM	14.00 x 15.25 x 10.12	356 x 387 x 257	22.5 mm	30	13.12 x 14.38	333 x 365	13.62 x 15.47	346 x 393	12.62	321	8.59	218	15.00	381	2.11	54	2.61	66

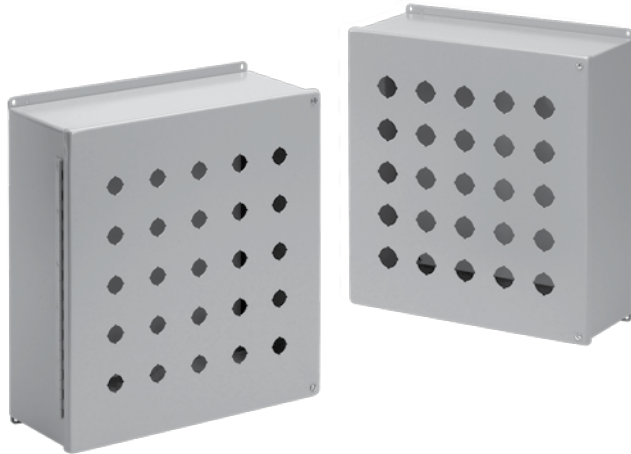


VIEW X-X



Hole Arrangement



EXTRA-LARGE 30.5-MM AND 22.5-MM PUSHBUTTON ENCLOSURES WITH PANELS, TYPE 12

INDUSTRY STANDARDS

 UL 508A Listed; Type 12, 13; File No. E61997
 cUL Listed per CSA C22.2 No. 94; Type 12, 13; File No. E61997

 NEMA/EEMAC Type 12, 13
 CSA File Number 42186: Type 12
 IEC 60529, IP65

APPLICATION

Extra-Large Pushbutton Enclosures with Panels are designed to hold 30.5-mm and 22.5-mm pushbuttons and switches, with 2.50-in. (64-mm) center-to-center of pushbutton holes.

SPECIFICATIONS

- 14 gauge steel
- Seams continuously welded and ground smooth
- Captivated cover screws thread into sealed wells
- Continuous hinge
- Factory stamped 4-way pushbutton holes
- Oil-resistant gasket
- Removable 14 gauge panel included, supported by weldnuts
- Bonding provision on cover
- External wall-mounting brackets

FINISH

ANSI 61 gray polyester powder paint inside and out. Panels are white.

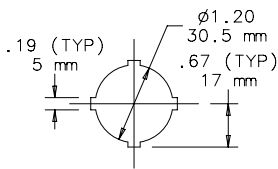
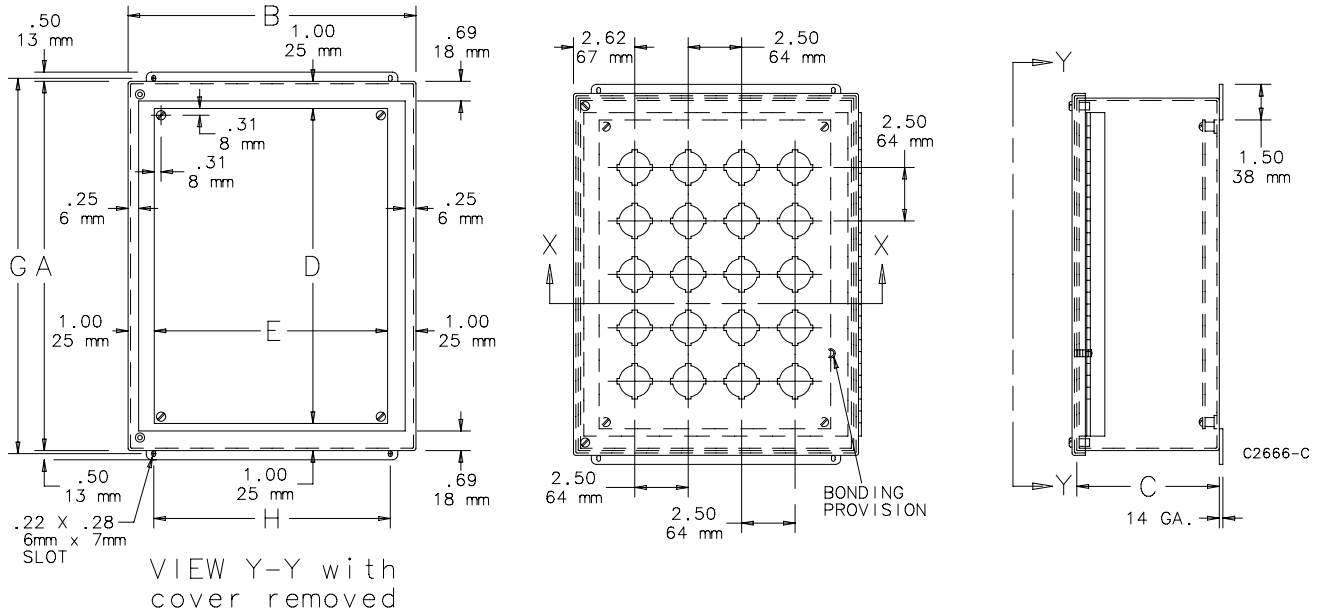
ACCESSORIES

See also *Accessories*.
 Industrial Corrosion Inhibitors
 HOL-SEALERS™ Hole Seals
 Tamper-Resistant Screws

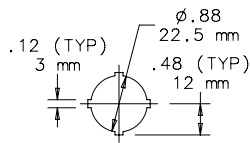
BULLETIN: PB1

Standard Product

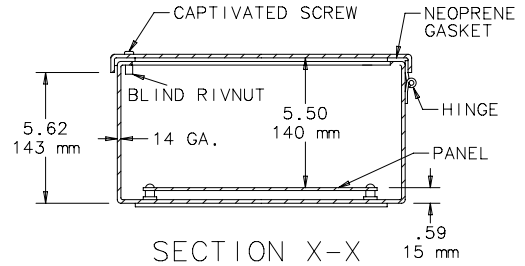
Catalog Number	AxBxC in.	AxBxC mm	Hole Size	Number of Holes	Panel Size D x E (in.)	Panel Size D x E (mm)	Mounting G x H (in.)	Mounting G x H (mm)
E4SPBY25	8.50 x 7.50 x 6.00	216 x 191 x 152	30.5 mm	4	6.50 x 5.50	165 x 140	9.00 x 6.62	229 x 168
E4SPBY25M	8.50 x 7.50 x 6.00	216 x 191 x 152	22.5 mm	4	6.50 x 5.50	165 x 140	9.00 x 6.62	229 x 168
E6PPBY25	11.00 x 7.50 x 6.00	279 x 191 x 152	30.5 mm	6	9.00 x 5.50	229 x 140	11.50 x 6.62	292 x 168
E6PPBY25M	11.00 x 7.50 x 6.00	279 x 191 x 152	22.5 mm	6	9.00 x 5.50	229 x 140	11.50 x 6.62	292 x 168
E9PPBY25	11.00 x 10.00 x 6.00	279 x 254 x 152	30.5 mm	9	9.00 x 8.00	229 x 203	11.50 x 9.12	292 x 232
E9PPBY25M	11.00 x 10.00 x 6.00	279 x 254 x 152	22.5 mm	9	9.00 x 8.00	229 x 203	11.50 x 9.12	292 x 232
E12PPBY25	13.50 x 10.00 x 6.00	343 x 254 x 152	30.5 mm	12	11.50 x 8.00	292 x 203	14.00 x 9.12	356 x 232
E12PPBY25M	13.50 x 10.00 x 6.00	343 x 254 x 152	22.5 mm	12	11.50 x 8.00	292 x 203	14.00 x 9.12	356 x 232
E16PPBY25	13.50 x 12.50 x 6.00	343 x 318 x 152	30.5 mm	16	11.50 x 10.50	292 x 267	14.00 x 11.62	356 x 295
E16PPBY25M	13.50 x 12.50 x 6.00	343 x 318 x 152	22.5 mm	16	11.50 x 10.50	292 x 267	14.00 x 11.62	356 x 295
E20PPBY25	16.00 x 12.50 x 6.00	406 x 318 x 152	30.5 mm	20	14.00 x 10.50	356 x 267	16.50 x 11.62	419 x 295
E20PPBY25M	16.00 x 12.50 x 6.00	406 x 318 x 152	22.5 mm	20	14.00 x 10.50	356 x 267	16.50 x 11.62	419 x 295
E25PPBY25	16.00 x 15.00 x 6.00	406 x 381 x 152	30.5 mm	25	14.00 x 13.00	356 x 330	16.50 x 14.12	419 x 359
E25PPBY25M	16.00 x 15.00 x 6.00	406 x 381 x 152	22.5 mm	25	14.00 x 13.00	356 x 330	16.50 x 14.12	419 x 359
E30PPBY25	18.50 x 15.00 x 6.00	470 x 381 x 152	30.5 mm	30	16.50 x 13.00	419 x 330	19.00 x 14.12	483 x 359
E30PPBY25M	18.50 x 15.00 x 6.00	470 x 381 x 152	22.5 mm	30	16.50 x 13.00	419 x 330	19.00 x 14.12	483 x 359
E36PPBY25	18.50 x 17.50 x 6.00	470 x 445 x 152	30.5 mm	36	16.50 x 15.50	419 x 394	19.00 x 16.62	483 x 422
E36PPBY25M	18.50 x 17.50 x 6.00	470 x 445 x 152	22.5 mm	36	16.50 x 15.50	419 x 394	19.00 x 16.62	483 x 422
E42PPBY25	21.00 x 17.50 x 6.00	533 x 445 x 152	30.5 mm	42	19.00 x 15.50	483 x 394	21.50 x 16.62	546 x 422
E42PPBY25M	21.00 x 17.50 x 6.00	533 x 445 x 152	22.5 mm	42	19.00 x 15.50	483 x 394	21.50 x 16.62	546 x 422



30.5mm 4-WAY

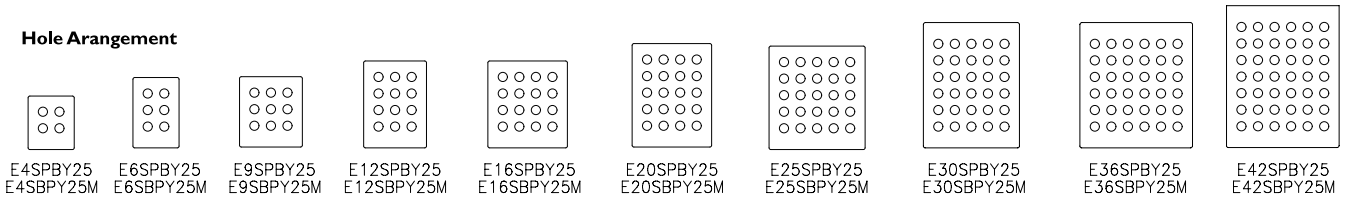


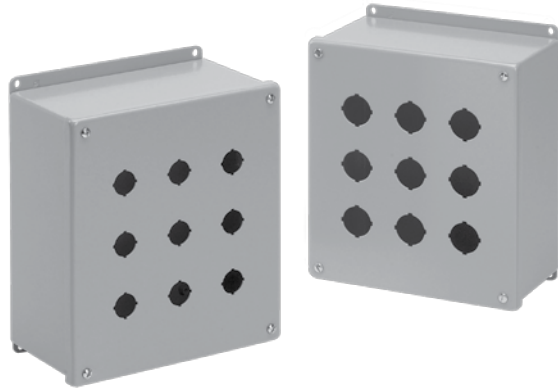
22.5mm 4-WAY



SECTION X-X

Hole Arrangement



EXTRA-DEEP 30.5-MM AND 22.5-MM PUSHBUTTON ENCLOSURES, TYPE 12

APPLICATION

Extra-Deep Pushbutton Enclosures are designed to hold 30.5-mm and 22.5-mm pushbuttons and switches, with added depth to accommodate additional pushbutton contact blocks.

SPECIFICATIONS

- 16 or 14 gauge steel
- Seams continuously welded and ground smooth
- Captivated cover screws thread into sealed wells
- Grounding nut in body of enclosure
- Bonding provision on cover
- Oil-resistant gasket
- Factory stamped 4-way pushbutton holes
- Enclosures 6.00 x 4.00 x 4.75 in. (152 x 102 x 121 mm) and larger have internal detachable hinge to hold cover open during wiring, yet permit immediate removal
- External wall-mounting brackets

FINISH

ANSI 61 gray polyester powder paint inside and out

ACCESSORIES

See also *Accessories*.
 Industrial Corrosion Inhibitors
 HOL-SEALERS™ Hole Seals
 Tamper-Resistant Screws

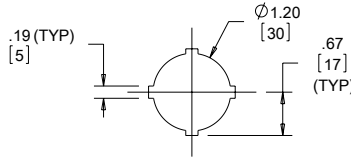
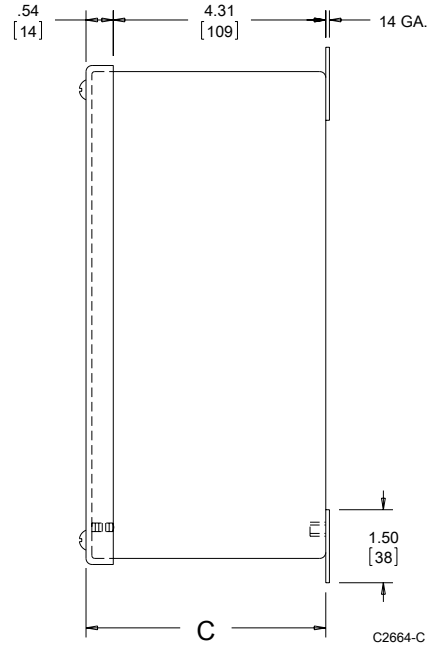
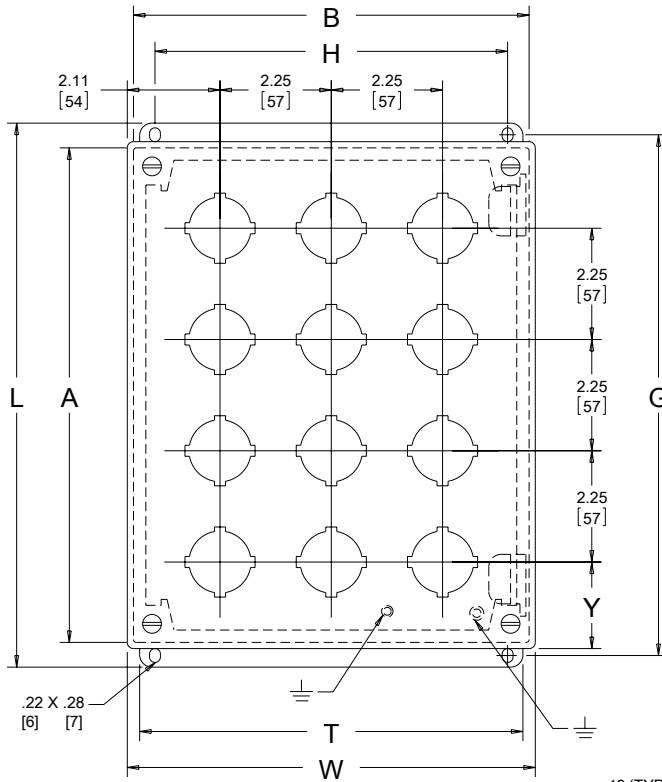
BULLETIN: PB1
INDUSTRY STANDARDS

UL 508A Listed; Type 12, 13; File No. E61997
 cUL Listed per CSA C22.2 No. 94; Type 12, 13; File No. E61997

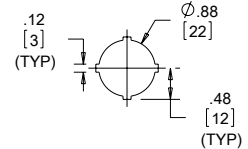
NEMA/EEMAC Type 12, 13
 CSA File Number 42186: Type 12
 IEC 60529, IP65

Standard Product

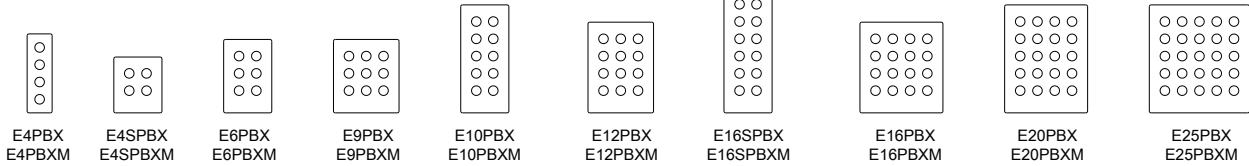
Catalog Number	AxBxC in.	AxBxC mm	Hole Size	Number of Holes	Gauge	Mounting G x H (in.)	Mounting G x H (mm)	Overall L x W (in.)	Overall L x W (mm)	T (in.)	T (mm)	Y (in.)	Y (mm)
E1PBX	4.00 x 4.00 x 4.75	102 x 102 x 121	30.5 mm	1	16	4.50 x 3.12	114 x 79	5.00 x 4.22	127 x 107	3.75	95	2.11	54
E1PBXM	4.00 x 4.00 x 4.75	102 x 102 x 121	22.5 mm	1	16	4.50 x 3.12	114 x 79	5.00 x 4.22	127 x 107	3.75	95	2.11	54
E2PBX	6.00 x 4.00 x 4.75	152 x 102 x 121	30.5 mm	2	14	6.50 x 3.12	165 x 79	7.00 x 4.22	178 x 107	3.75	95	1.98	50
E2PBXM	6.00 x 4.00 x 4.75	152 x 102 x 121	22.5 mm	2	14	6.50 x 3.12	165 x 79	7.00 x 4.22	178 x 107	3.75	95	1.98	50
E3PBX	8.00 x 4.00 x 4.75	203 x 102 x 121	30.5 mm	3	14	8.50 x 3.12	216 x 79	9.00 x 4.22	229 x 107	3.75	95	1.86	47
E3PBXM	8.00 x 4.00 x 4.75	203 x 102 x 121	22.5 mm	3	14	8.50 x 3.12	216 x 79	9.00 x 4.22	229 x 107	3.75	95	1.86	47
E4PBX	10.00 x 4.00 x 4.75	254 x 102 x 121	30.5 mm	4	14	10.50 x 3.12	267 x 79	11.00 x 4.22	279 x 107	3.75	95	1.73	44
E4PBXM	10.00 x 4.00 x 4.75	254 x 102 x 121	22.5 mm	4	14	10.50 x 3.12	267 x 79	11.00 x 4.22	279 x 107	3.75	95	1.73	44
E4SPBX	7.25 x 6.25 x 4.75	184 x 159 x 121	30.5 mm	4	14	7.75 x 5.38	197 x 137	8.25 x 6.47	210 x 164	6.00	152	2.61	66
E4SPBXM	7.25 x 6.25 x 4.75	184 x 159 x 121	22.5 mm	4	14	7.75 x 5.38	197 x 137	8.25 x 6.47	210 x 164	6.00	152	2.61	66
E6PBX	9.50 x 6.25 x 4.75	241 x 159 x 121	30.5 mm	6	14	10.00 x 5.38	254 x 137	10.50 x 6.47	267 x 164	6.00	152	2.61	66
E6PBXM	9.50 x 6.25 x 4.75	241 x 159 x 121	22.5 mm	6	14	10.00 x 5.38	254 x 137	10.50 x 6.47	267 x 164	6.00	152	2.61	66
E9PBX	9.50 x 8.25 x 4.75	241 x 210 x 121	30.5 mm	9	14	10.00 x 7.62	254 x 194	10.50 x 8.72	267 x 221	8.25	210	2.61	66
E9PBXM	9.50 x 8.50 x 4.75	241 x 216 x 121	22.5 mm	9	14	10.00 x 7.62	254 x 194	10.50 x 8.72	267 x 221	8.25	210	2.61	66
E10PBX	14.00 x 6.25 x 4.75	356 x 159 x 121	30.5 mm	10	14	14.50 x 5.38	368 x 137	15.00 x 6.47	381 x 164	6.00	152	2.61	66
E10PBXM	14.00 x 6.25 x 4.75	356 x 159 x 121	22.5 mm	10	14	14.50 x 5.38	368 x 137	15.00 x 6.47	381 x 164	6.00	152	2.61	66
E12PBX	11.75 x 8.50 x 4.75	298 x 216 x 121	30.5 mm	12	14	12.25 x 7.62	311 x 194	12.75 x 8.72	324 x 221	8.25	210	2.61	66
E12PBXM	11.75 x 8.50 x 4.75	298 x 216 x 121	22.5 mm	12	14	12.25 x 7.62	311 x 194	12.75 x 8.72	324 x 221	8.25	210	2.61	66
E16SPBXV	20.75 x 6.25 x 4.75	527 x 159 x 121	30.5 mm	16	14	21.25 x 5.38	540 x 137	21.75 x 6.47	552 x 164	6.00	152	2.61	66
E16SPBXVM	20.75 x 6.25 x 4.75	527 x 159 x 121	22.5 mm	16	14	21.25 x 5.38	540 x 137	21.75 x 6.47	552 x 164	6.00	152	2.61	66
E16PBX	11.75 x 10.75 x 4.75	298 x 273 x 121	30.5 mm	16	14	12.25 x 9.88	311 x 251	12.75 x 10.97	324 x 279	10.50	267	2.61	66
E16PBXM	11.75 x 10.75 x 4.75	298 x 273 x 121	22.5 mm	16	14	12.25 x 9.88	311 x 251	12.75 x 10.97	324 x 279	10.50	267	2.61	66
E20PBX	14.00 x 10.75 x 4.75	356 x 273 x 121	30.5 mm	20	14	14.50 x 9.88	368 x 251	15.00 x 10.97	381 x 279	10.50	267	2.61	66
E20PBXM	14.00 x 10.75 x 4.75	356 x 273 x 121	22.5 mm	20	14	14.50 x 9.88	368 x 251	15.00 x 10.97	381 x 279	10.50	267	2.61	66
E25PBX	14.00 x 13.00 x 4.75	356 x 330 x 121	30.5 mm	25	14	14.50 x 12.12	368 x 308	15.00 x 13.22	381 x 336	12.75	324	2.61	66
E25PBXM	14.00 x 13.00 x 4.75	356 x 330 x 121	22.5 mm	25	14	14.50 x 12.12	368 x 308	15.00 x 13.22	381 x 336	12.75	324	2.61	66

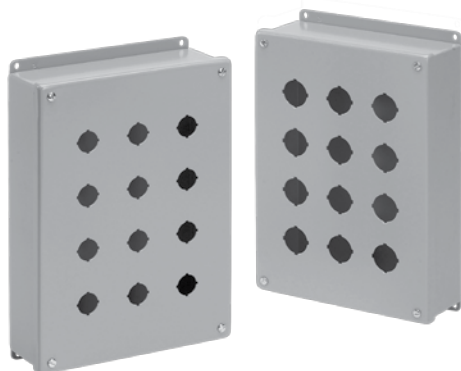


30.5mm 4-WAY



22.5mm 4-WAY



30.5-MM AND 22.5-MM PUSHBUTTON ENCLOSURES, TYPE 12

APPLICATION

These pushbutton enclosures are designed to hold 30.5-mm or 22.5-mm pushbuttons and switches.

SPECIFICATIONS

- 16 or 14 gauge steel
- Seams continuously welded and ground smooth
- Captivated cover screws thread into sealed wells
- Grounding nut in body of enclosure
- Bonding provision on cover
- Oil-resistant gasket
- Factory stamped 4-way pushbutton holes
- Enclosures with more than one column of pushbutton holes have internal detachable hinge
- External wall-mounting brackets

FINISH

ANSI 61 gray polyester powder paint inside and out

ACCESSORIES

See also *Accessories*.
 Industrial Corrosion Inhibitors
 HOL-SEALERS™ Hole Seals
 Tamper-Resistant Screws

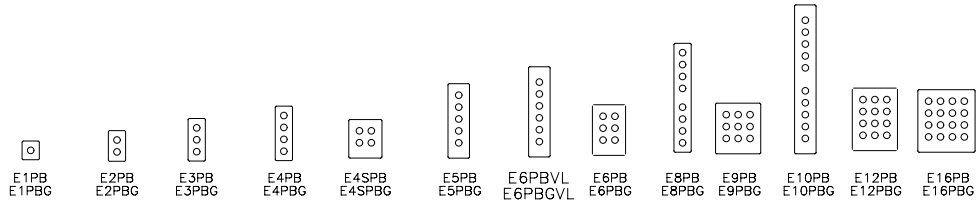
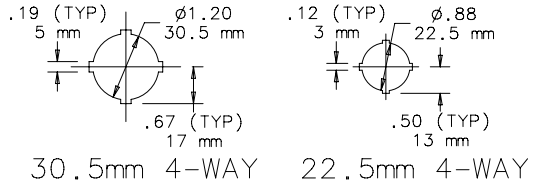
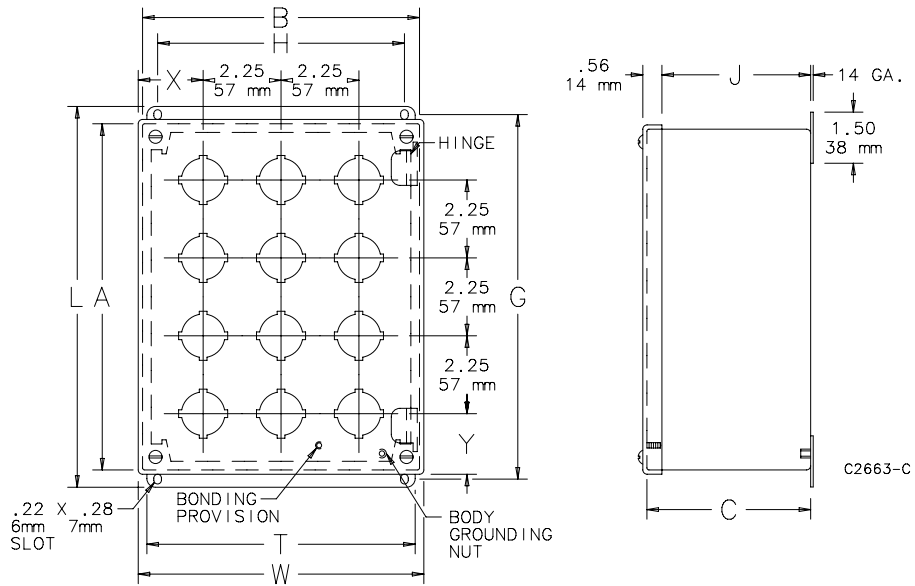
BULLETIN: PB1
INDUSTRY STANDARDS

UL 508A Listed; Type 12, 13; File No. E61997
 cUL Listed per CSA C22.2 No. 94; Type 12, 13; File No. E61997

NEMA/EEMAC Type 12, 13
 CSA File Number 42186: Type 12
 IEC 60529, IP65

Standard Product

Catalog Number	AxBxC in.	AxBxC mm	Hole Size	Number of Holes	Gauge	Mounting G x H (in.)	Mounting G x H (mm)	Overall L x W (in.)	Overall L x W (mm)	J (in.)	J (mm)	T (in.)	T (mm)	X (in.)	X (mm)	Y (in.)	Y (mm)
E1PB	3.50 x 3.25 x 2.75	89 x 83 x 70	30.5 mm	1	16	4.00 x 2.38	102 x 60	4.50 x 3.47	114 x 88	2.31	59	3.00	76	1.73	44	1.86	47
E1PBG	3.50 x 4.25 x 2.75	89 x 108 x 70	22.5 mm	1	16	4.00 x 2.38	102 x 60	4.50 x 3.47	114 x 88	2.31	59	3.00	76	1.73	44	1.86	47
E2PB	5.75 x 3.25 x 2.75	146 x 83 x 70	30.5 mm	2	16	6.25 x 2.38	159 x 60	6.75 x 3.47	171 x 88	2.31	59	3.00	76	1.73	44	1.86	47
E2PBG	5.75 x 3.25 x 2.75	146 x 83 x 70	22.5 mm	2	16	6.25 x 2.38	159 x 60	6.75 x 3.47	171 x 88	2.31	59	3.00	76	1.73	44	1.86	47
E3PB	8.00 x 3.25 x 2.75	203 x 83 x 70	30.5 mm	3	14	8.50 x 2.38	216 x 60	9.00 x 3.47	229 x 88	2.31	59	3.00	76	1.73	44	1.86	47
E3PBG	8.00 x 3.25 x 2.75	203 x 83 x 70	22.5 mm	3	14	8.50 x 2.38	216 x 60	9.00 x 3.47	229 x 88	2.31	59	3.00	76	1.73	44	1.86	47
E4PB	10.00 x 3.25 x 2.75	254 x 83 x 70	30.5 mm	4	14	10.75 x 2.38	273 x 60	11.25 x 3.47	286 x 88	2.31	59	3.00	76	1.73	44	1.86	47
E4PBG	10.00 x 3.25 x 2.75	254 x 83 x 70	22.5 mm	4	14	10.75 x 2.38	273 x 60	11.25 x 3.47	286 x 88	2.31	59	3.00	76	1.73	44	1.86	47
E4SPB	7.25 x 6.25 x 3.00	184 x 159 x 76	30.5 mm	4	14	7.75 x 5.38	197 x 137	8.25 x 6.47	210 x 164	2.56	65	6.00	152	2.11	54	2.61	66
E4SPBG	7.25 x 6.25 x 3.00	184 x 159 x 76	22.5 mm	4	14	7.75 x 5.38	197 x 137	8.25 x 6.47	210 x 164	2.56	65	6.00	152	2.11	54	2.61	66
E5PB	12.50 x 3.25 x 2.75	318 x 83 x 70	30.5 mm	5	14	13.00 x 2.38	330 x 60	13.50 x 3.47	343 x 88	2.31	59	3.00	76	1.73	44	1.86	47
E5PBG	12.50 x 3.25 x 2.75	317 x 83 x 70	22.5 mm	5	14	13.00 x 2.38	330 x 60	13.50 x 3.47	343 x 88	2.31	59	3.00	76	1.73	44	1.86	47
E6PBVL	14.75 x 3.25 x 2.75	375 x 83 x 70	30.5 mm	6	14	15.25 x 2.38	387 x 60	15.75 x 3.47	400 x 88	2.31	59	3.00	76	1.73	44	1.86	47
E6PBGVL	14.75 x 3.25 x 2.75	375 x 83 x 70	22.5 mm	6	14	15.25 x 2.38	387 x 60	15.75 x 3.47	400 x 88	2.31	59	3.00	76	1.73	44	1.86	47
E6PB	9.50 x 6.25 x 3.00	241 x 159 x 76	30.5 mm	6	14	10.00 x 5.38	254 x 137	10.50 x 6.47	267 x 164	2.56	65	6.00	152	2.11	54	2.61	66
E6PBG	9.50 x 6.25 x 3.00	241 x 159 x 76	22.5 mm	6	14	10.00 x 5.38	254 x 137	10.50 x 6.47	267 x 164	2.56	65	6.00	152	2.11	54	2.61	66
E8PB	20.25 x 3.25 x 2.75	514 x 83 x 70	30.5 mm	8	14	20.75 x 2.38	527 x 60	21.25 x 3.47	540 x 88	2.31	59	3.00	76	1.73	44	1.86	47
E8PBG	20.25 x 3.25 x 2.75	514 x 83 x 70	22.5 mm	8	14	20.75 x 2.38	527 x 60	21.25 x 3.47	540 x 88	2.31	59	3.00	76	1.73	44	1.86	47
E9PB	9.50 x 8.50 x 3.00	241 x 216 x 76	30.5 mm	9	14	10.00 x 7.62	254 x 194	10.50 x 8.72	267 x 221	2.56	65	8.25	210	2.11	54	2.61	66
E9PBG	9.50 x 8.50 x 3.00	241 x 216 x 76	22.5 mm	9	14	10.00 x 7.62	254 x 194	10.50 x 8.72	267 x 221	2.56	65	8.25	210	2.11	54	2.61	66
E10PB	24.75 x 3.25 x 2.75	629 x 83 x 70	30.5 mm	10	14	25.25 x 2.38	641 x 60	25.75 x 3.47	654 x 88	2.31	59	3.00	76	1.73	44	1.86	47
E10PBG	24.75 x 3.25 x 2.75	629 x 83 x 70	22.5 mm	10	14	25.25 x 2.38	641 x 60	25.75 x 3.47	654 x 88	2.31	59	3.00	76	1.73	44	1.86	47
E12PB	11.75 x 8.50 x 3.00	298 x 216 x 76	30.5 mm	12	14	12.25 x 7.62	311 x 194	12.75 x 8.72	324 x 221	2.56	65	8.25	210	2.11	54	2.61	66
E12PBG	11.75 x 8.50 x 3.00	298 x 216 x 76	22.5 mm	12	14	12.25 x 7.62	311 x 194	12.75 x 8.72	324 x 221	2.56	65	8.25	210	2.11	54	2.61	66
E16PB	11.75 x 10.75 x 3.00	298 x 273 x 76	30.5 mm	16	14	12.25 x 9.88	311 x 251	12.75 x 10.97	324 x 279	2.56	65	10.50	267	2.11	54	2.61	66
E16PBG	11.75 x 10.75 x 3.00	298 x 273 x 76	22.5 mm	16	14	12.25 x 9.88	311 x 251	12.75 x 10.97	324 x 279	2.56	65	10.50	267	2.11	54	2.61	66



DEEP 22.5-MM PUSHBUTTON ENCLOSURES, TYPE 12

INDUSTRY STANDARDS

 UL 508A Listed; Type 12, 13; File No. E61997
 cUL Listed per CSA C22.2 No. 94; Type 12, 13; File No. E61997

 NEMA/EEMAC Type 12, 13
 CSA File Number 42186: Type 12
 IEC 60529, IP65

APPLICATION

Designed for pushbuttons and switches, the extra depth of these enclosures accommodates additional pushbutton contact blocks.

SPECIFICATIONS

- 14 gauge steel
- Seams continuously welded and ground smooth
- Captivated cover screws thread into sealed wells
- Grounding nut in body of enclosure
- Bonding provision on cover
- Oil-resistant gasket
- Enclosures with more than one column of pushbutton holes have internal detachable hinge
- External wall-mounting brackets
- Factory stamped 4-way pushbutton holes

FINISH

ANSI 61 gray polyester powder paint inside and out

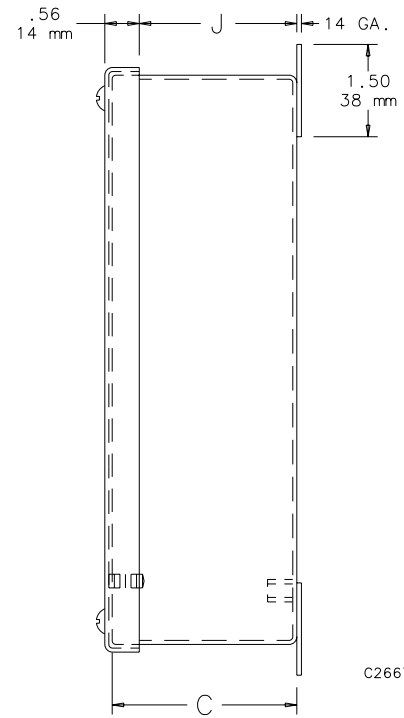
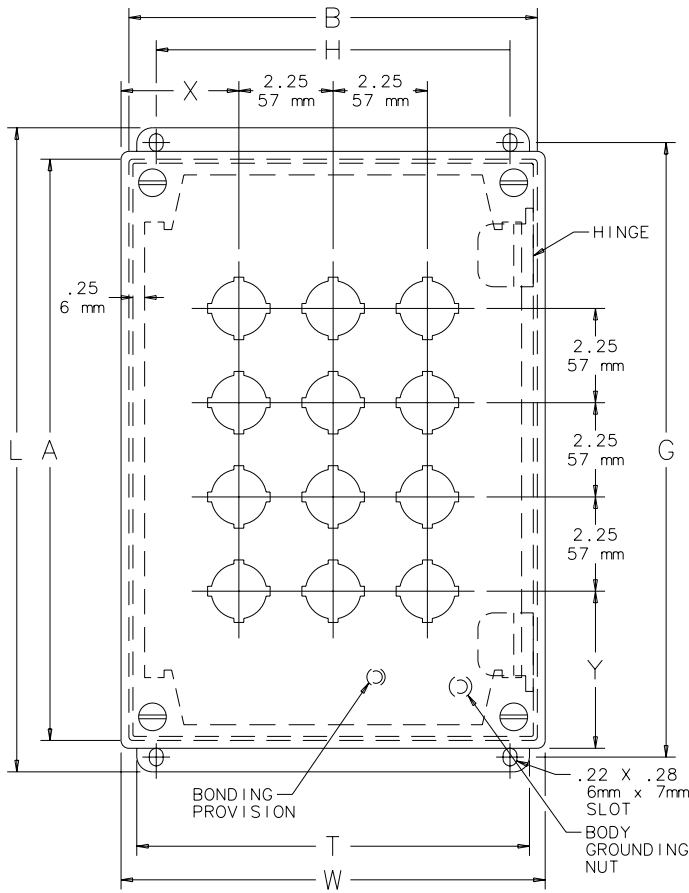
ACCESSORIES
See also Accessories.

 Industrial Corrosion Inhibitors
 HOL-SEALERS™ Hole Seals
 Tamper-Resistant Screws

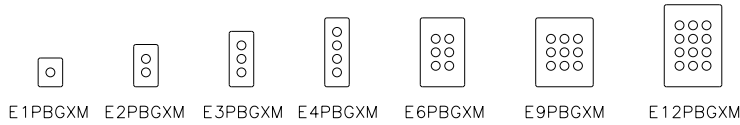
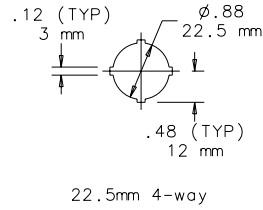
BULLETIN: PB1

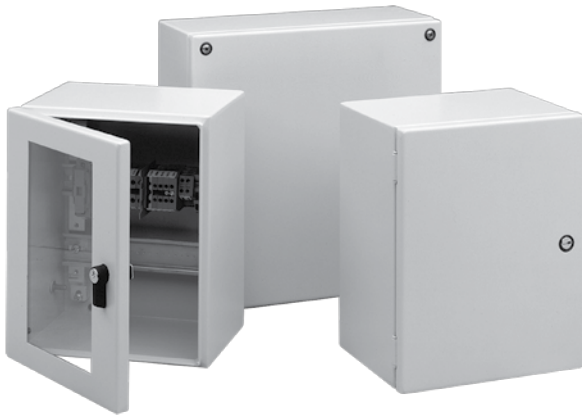
Standard Product

Catalog Number	AxBxC in./mm	Number of Holes	Mounting G x H in./mm	Overall L x W in./mm	J in./mm	T in./mm	X in./mm	Y in./mm
E1PBGXM	3.25 x 2.75 x 3.50 83 x 70 x 89	1	3.75 x 1.88 95 x 48	4.25 x 2.97 108 x 75	3.09 78	2.50 64	1.48 38	1.73 44
E2PBGXM	5.12 x 2.75 x 3.50 130 x 70 x 89	2	5.62 x 1.88 143 x 48	6.12 x 2.97 155 x 75	3.09 78	2.50 64	1.48 38	1.55 39
E3PBGXM	7.25 x 2.75 x 3.50 184 x 70 x 89	3	7.75 x 1.88 197 x 48	8.25 x 2.97 210 x 75	3.09 78	2.50 64	1.48 38	1.48 38
E4PBGXM	9.50 x 2.75 x 3.50 241 x 70 x 89	4	10.00 x 1.88 254 x 48	10.50 x 2.97 267 x 75	3.09 78	2.50 64	1.48 38	1.48 38
E6PBGXM	8.50 x 5.00 x 4.25 216 x 127 x 108	6	9.00 x 4.12 229 x 105	9.50 x 5.22 241 x 133	3.84 98	4.75 121	1.48 38	2.11 54
E9PBGXM	8.50 x 7.25 x 4.25 216 x 184 x 108	9	9.00 x 5.63 229 x 162	9.50 x 7.47 241 x 190	3.84 98	6.25 159	1.48 38	2.11 54
E12PBGXM	10.38 x 7.25 x 4.25 264 x 184 x 108	12	10.88 x 5.63 276 x 162	11.38 x 7.47 289 x 190	3.84 98	6.25 159	1.48 38	1.92 49



C2667-C



INLINE™ TYPE 4

INDUSTRY STANDARDS

Mounting brackets required to meet UL/CSA external mounting requirements.

UL 508A Listed; Type 3, 4, 12; File No. E61997
 cUL Listed per CSA C22.2 No. 94; Type 3, 4, 12; File No. E61997

NEMA/EEMAC Type 4 and 12
 CSA, File No. 42186: Type 4 and 12
 IEC 60529, IP66

APPLICATION

Aesthetic styling, with an attractive, durable light-gray finish, makes INLINE™ Enclosures an excellent choice when style and functionality are important. INLINE Enclosures have an outward formed flange to prevent contaminants from entering the enclosure and are available in three versions: window door, hinged solid door and solid screw cover.

SPECIFICATIONS

- Metric dimensions
- 1.4-mm (16 gauge) steel
- Seams continuously welded and ground smooth
- External formed body flange
- Large perimeter body opening
- Fastening holes in back of body for direct mounting or optional external mounting brackets
- Seamless foam-in-place gasket
- Grounding stud on the body
- Bonding provision on the cover or door
- Furnished hardware kit includes panel mounting screws, grounding hardware and sealing washers for wall-mounting holes
- Installation instructions

INLINE Screw-Cover Enclosures

- Captivated cover screws with sealing bushings

INLINE Hinged-Door Enclosures

- 180-degree door opening
- Removable hinge pins
- Self-grounding, slotted quarter-turn latch

INLINE Window-Door Enclosures

- Flush-mounted 4.8-mm (3/16-in.) clear polycarbonate window
- 180-degree door opening
- Removable hinge pins
- Self-grounding, slotted quarter-turn latch

FINISH

RAL 7035 textured light-gray polyester powder paint inside and out

ACCESSORIES

See also Accessories.
 DIN Rail or Panel-Mounting Brackets
 DIN3 Rails
 Lock Inserts
 Mounting-Bracket Kit
 Panels for Junction Boxes
 Wing Knob Latch

MODIFICATION AND CUSTOMIZATION

Hoffman excels at modifying and customizing products to your specifications. Contact your local Hoffman sales office or distributor for complete information.

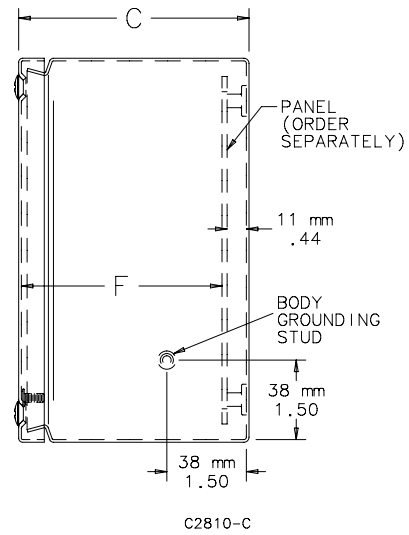
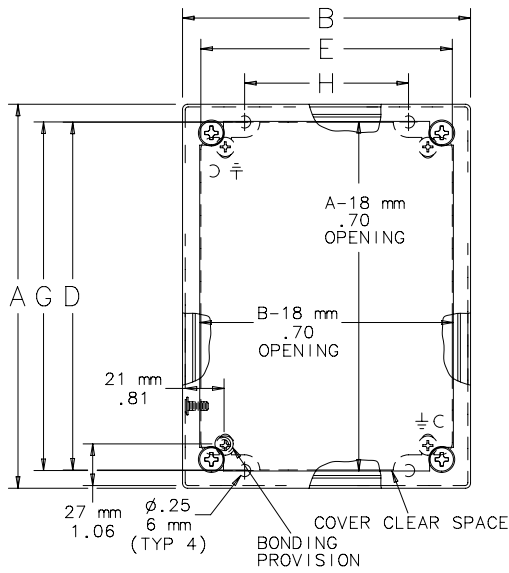
BULLETIN: A54

Standard Product **INLINE Screw-Cover Enclosures**

Catalog Number	AxBxC in./mm	Panel	Conductive Panel	Panel Size D x E mm/in.	Mounting G x H mm/in.	F mm/in.
LSC151512	5.91 x 5.91 x 4.72 150 x 150 x 120	LP1515	LP1515G	131 x 131 5.16 x 5.16	132 x 85 5.18 x 3.36	105 4.13
LSC201512	7.87 x 5.91 x 4.72 200 x 150 x 120	LP2015	LP2015G	181 x 131 7.13 x 5.16	182 x 85 7.15 x 3.36	105 4.13
LSC252015	9.84 x 7.87 x 5.91 250 x 200 x 150	LP2520	LP2520G	231 x 181 9.09 x 7.13	232 x 135 9.12 x 5.33	135 5.31
LSC302515	11.81 x 9.84 x 5.91 300 x 250 x 150	LP3025	LP3025G	281 x 231 11.06 x 9.09	281 x 185 11.08 x 7.30	135 5.31
LSC353020	13.78 x 11.81 x 7.87 350 x 300 x 200	LP3530	LP3530G	331 x 281 13.03 x 11.06	331 x 235 13.05 x 9.27	185 7.28

Purchase panels separately.

INLINE Screw Cover Enclosure



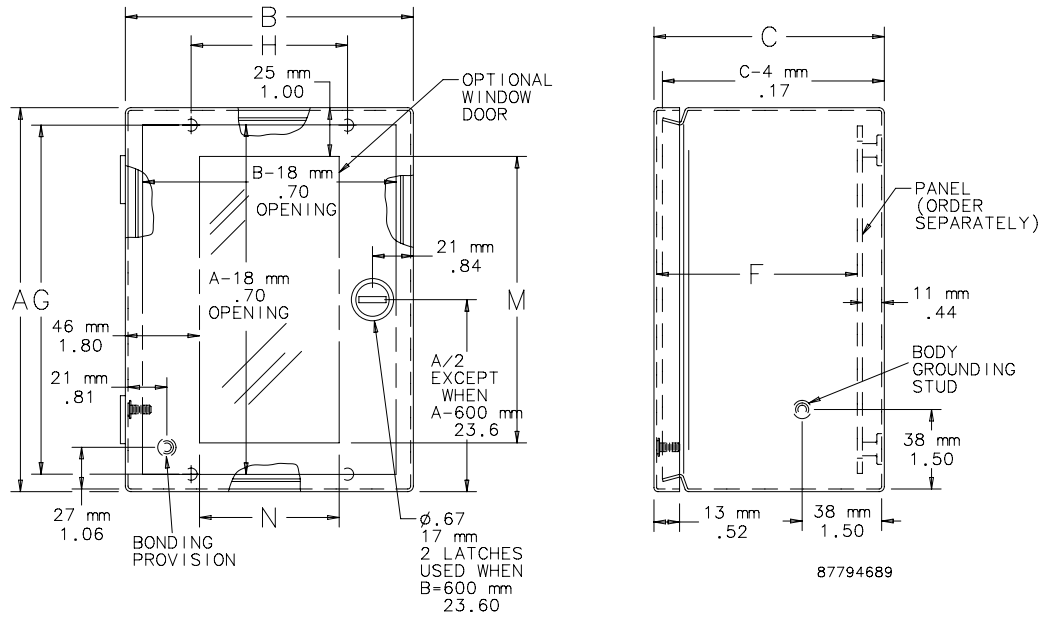
NOTE: Rear mounting holes will accommodate M6-1.0 or 1/4-20 UNC mounting screws (supplied by customer)

Standard Product **INLINE Hinged-Door Enclosures**

Catalog Number	AxBxC in./mm	Panel	Conductive Panel	Panel Size D x E mm/in.	Mounting G x H mm/in.	F mm/in.
LHC151512	5.91 x 5.91 x 4.72 150 x 150 x 120	LP1515	LP1515G	131 x 131 5.16 x 5.16	132 x 85 5.18 x 3.36	105 4.13
LHC201512	7.87 x 5.91 x 4.72 200 x 150 x 120	LP2015	LP2015G	181 x 131 7.13 x 5.16	182 x 85 7.15 x 3.36	105 4.13
LHC252015	9.84 x 7.87 x 5.91 250 x 200 x 150	LP2520	LP2520G	231 x 181 9.09 x 7.13	232 x 135 9.12 x 5.33	135 5.31
LHC302515	11.81 x 9.84 x 5.91 300 x 250 x 150	LP3025	LP3025G	281 x 231 11.06 x 9.09	281 x 185 11.08 x 7.30	135 5.31
LHC353020	13.78 x 11.81 x 7.87 350 x 300 x 200	LP3530	LP3530G	331 x 281 13.03 x 11.06	331 x 235 13.05 x 9.27	185 7.28

Purchase panels separately.

INLINE Hinged Door and Window Door Enclosures



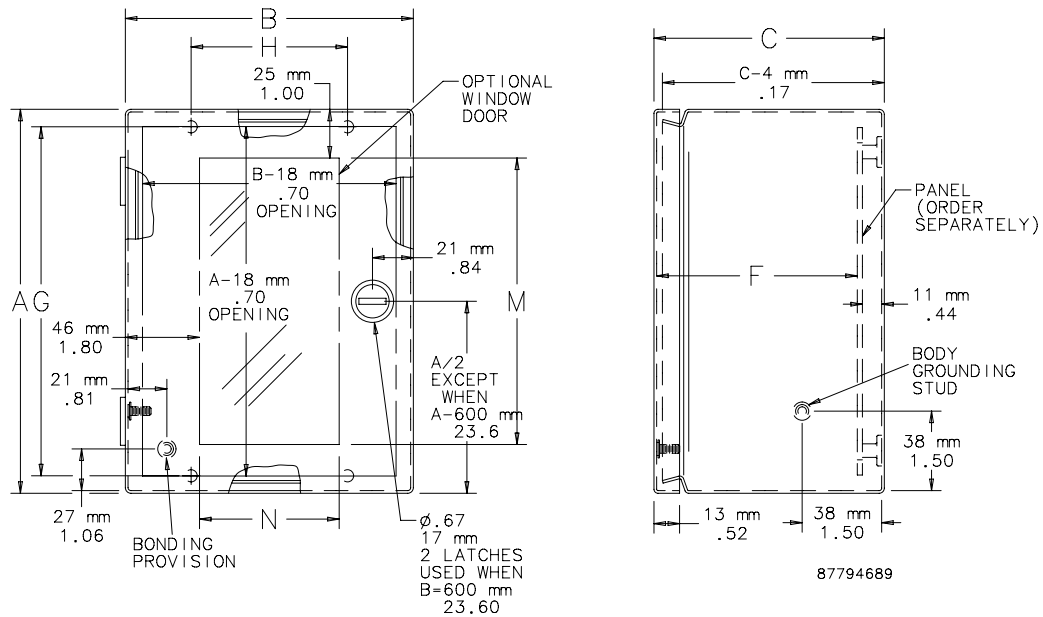
Standard Product **INLINE Window-Door Enclosures**

Catalog Number	AxBxC in./mm	Panel	Conductive Panel	Panel Size D x E mm/in.	Mounting G x H mm/in.	Window Size M x N mm/in.	F mm/in.
LWC201512	7.87 x 5.91 x 4.72 200 x 150 x 120	LP2015	LP2015G	181 x 131 7.13 x 5.16	182 x 85 7.15 x 3.36	149 x 65 5.87 x 2.31	101 3.98
LWC252015	9.84 x 7.87 x 5.91 250 x 200 x 150	LP2520	LP2520G	231 x 181 9.09 x 7.13	232 x 135 9.12 x 5.33	199 x 115 7.83 x 4.24	131 5.16
LWC302515	11.81 x 9.84 x 5.91 300 x 250 x 150	LP3025	LP3025G	281 x 231 11.06 x 9.09	281 x 185 11.08 x 7.30	249 x 165 9.80 x 6.25	131 5.16
LWC204015	7.87 x 15.75 x 5.91 200 x 400 x 150	LP2040	LP2040G	181 x 381 7.13 x 15.00	182 x 335 7.15 x 13.20	115 x 349 4.53 x 13.49	131 5.16
LWC206015	7.87 x 23.62 x 5.91 200 x 600 x 150	LP2060	LP2060G	181 x 581 7.13 x 21.06	182 x 535 7.15 x 21.08	115 x 549 4.53 x 21.36	131 5.16

Purchase panels separately.

LWC204015 and LWC206015 are hinged on "B" side of enclosure.

INLINE Hinged Door and Window Door Enclosures



INLINE™ EMC, TYPE 1

INDUSTRY STANDARDS

Mounting brackets required to meet UL/CSA external mounting requirement.

UL 508A Listed; Type 1; File No. E61997 cUL Listed per CSA C22.2 No. 94; Type 1; File No. E61997

NEMA/EEMAC Type 1
IEC 60529, IP40

APPLICATION

INLINE™ EMC Enclosures provide style, functionality and EMC protection. The flush body-to-door design can be secured by either screws or quarter-turn latches, making these enclosures an excellent choice for applications requiring an aesthetic appearance.

SPECIFICATIONS

- 16 gauge (1.4-mm) steel
- Seams continuously welded and ground smooth
- External formed body flange
- Large perimeter body opening
- Fastening holes in back of body for direct mounting or optional external mounting brackets
- Bonding provision (M6) on cover; grounding stud (M6) on body
- Metalized non-woven fabric EMI/RFI material covering UL94HP-rated urethane foam gasket
- Plated interior surfaces for gasket contact areas and conduit entries
- Furnished hardware kit consists of panel mounting screws, grounding hardware and sealing washers for wall-mounting holes
- Installation instructions
- Shielding effectiveness greater than 50 dB at 1 GHz

INLINE EMC Screw-Cover Enclosures

- Captivated cover screws with sealing bushings
- Integral gasket compression stops

INLINE EMC Hinged-Door Enclosures

- 180-degree door opening
- Removable solid door with two barrel hinges
- Self-grounding quarter-turn latch

FINISH

Textured RAL 7035 light-gray polyester powder coating inside and out over a plated interior

ACCESSORIES

See also *Accessories*.

DIN Rail or Panel-Mounting Brackets
 DIN3 Rails
 Grounding Kit
 Lock Inserts
 Mounting-Bracket Kit
 Panels for Junction Boxes
 Wing Knob Latch

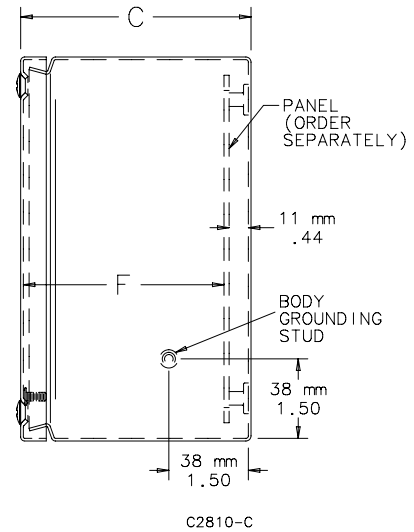
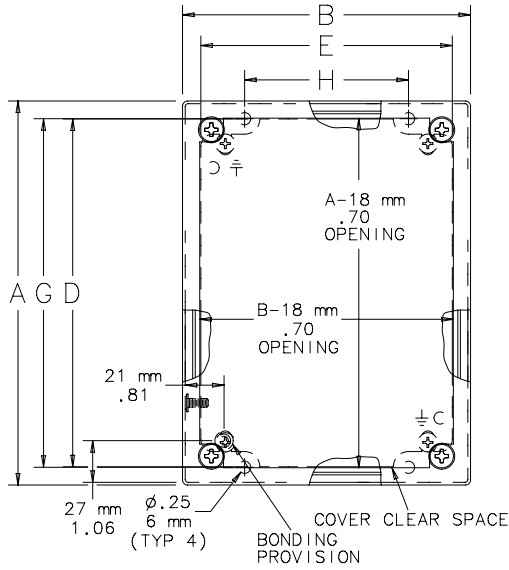
BULLETIN: A53

Standard Product **INLINE Screw-Cover EMC Enclosures**

Catalog Number	AxBxC in./mm	Steel Panel	Conductive Steel Panel	Panel Size D x E mm/in.	Mounting G x H mm/in.	F mm/in.
LSC151512EMC	5.91 x 5.91 x 4.72 150 x 150 x 120	LP1515	LP1515G	131 x 131 5.16 x 5.16	132 x 85 5.20 x 3.35	105 4.13
LSC201512EMC	7.87 x 5.91 x 4.72 200 x 150 x 120	LP2015	LP2015G	181 x 131 7.13 x 5.16	182 x 85 7.17 x 3.35	105 4.13
LSC252015EMC	9.84 x 7.87 x 5.91 250 x 200 x 150	LP2520	LP2520G	231 x 181 9.09 x 7.13	232 x 135 9.13 x 5.31	135 5.31
LSC302515EMC	11.81 x 9.84 x 5.91 300 x 250 x 150	LP3025	LP3025G	281 x 231 11.06 x 9.09	282 x 185 11.10 x 7.28	135 5.31
LSC353020EMC	13.78 x 11.81 x 7.87 350 x 300 x 200	LP3530	LP3530G	331 x 281 13.03 x 11.06	332 x 235 13.07 x 9.25	185 7.28

Purchase panels separately.

INLINE Screw Cover Enclosure

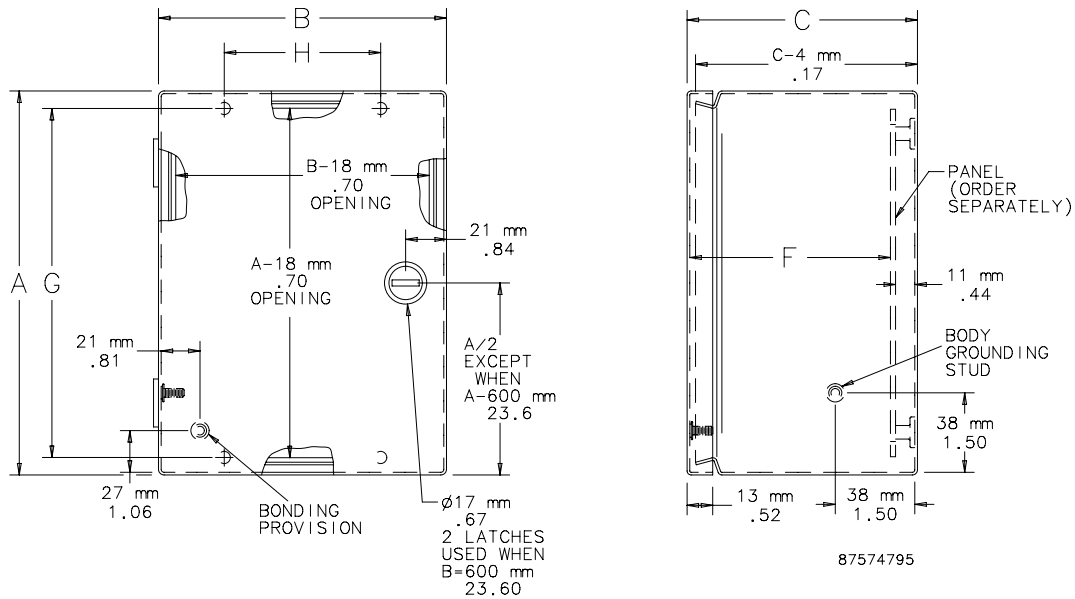
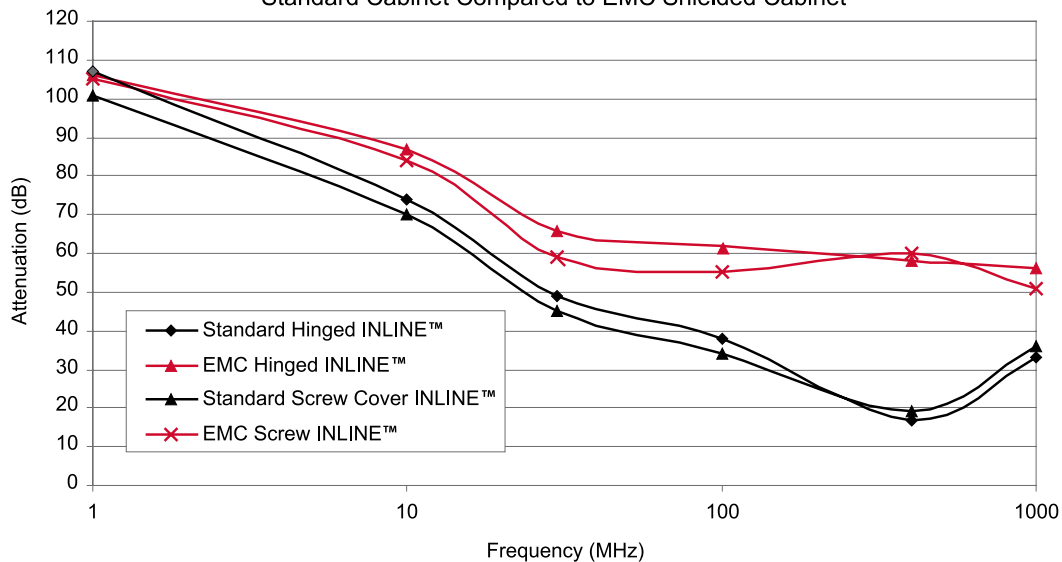


NOTE: Rear mounting holes will accommodate M6-1.0 or 1/4-20 UNC mounting screws (supplied by customer)

Standard Product **INLINE Hinged-Door EMC Enclosures**

Catalog Number	AxBxC in./mm	Steel Panel	Conductive Steel Panel	Panel Size D x E mm/in.	Mounting G x H mm/in.	F mm/in.
LHC151512EMC	5.91 x 5.91 x 4.72 150 x 150 x 120	LP1515	LP1515G	131 x 131 5.16 x 5.16	132 x 85 5.20 x 3.35	105 4.13
LHC201512EMC	7.87 x 5.91 x 4.72 200 x 150 x 120	LP2015	LP2015G	181 x 131 7.13 x 5.16	182 x 85 7.17 x 3.35	105 4.13
LHC252015EMC	9.84 x 7.87 x 5.91 250 x 200 x 150	LP2520	LP2520G	231 x 181 9.09 x 7.13	232 x 135 9.13 x 5.31	135 5.31
LHC302515EMC	11.81 x 9.84 x 5.91 300 x 250 x 150	LP3025	LP3025G	281 x 231 11.06 x 9.09	282 x 185 11.10 x 7.28	135 5.31
LHC353020EMC	13.78 x 11.81 x 7.87 350 x 300 x 200	LP3530	LP3530G	331 x 281 13.03 x 11.06	332 x 235 13.07 x 9.25	185 7.28

Purchase panels separately.


INLINE™ Hinged Cabinet Shielding Effectiveness
 Standard Cabinet Compared to EMC Shielded Cabinet


Notes



INLINE™ LANDSCAPE, TYPE 4 AND 12

INDUSTRY STANDARDS
Solid Door Enclosures:

UL 508A Listed; Type 3, 4, 12; File No. E61997
 cUL Listed per CSA C22.2 No. 94; Type 3, 4, 12; File No. E61997

NEMA/EEMAC Type 3, 4, 12
 CSA File Number 42186: Type 4, 12
 IEC 60529, IP66

Window Door Enclosures:

UL 508A Listed; Type 3, 4, 12; File No. E61997

NEMA/EEMAC Type 12
 CSA File Number 42186: Type 3, 4, 12
 IEC 60529, IP66

APPLICATION

When applications require mounting electrical components the full width of an enclosure, the landscape orientation of this aesthetic INLINE™ Enclosure makes it possible. Full-width mounting brackets can be drilled anywhere along their length, providing maximum mounting flexibility.

SPECIFICATIONS

- Metric dimensions
- 16 gauge steel
- Seams continuously welded and ground smooth
- External formed body flange
- Large body opening
- External wall-mounting brackets
- Seamless foam-in-place gasket
- Bonding provision on door
- Grounding stud on body
- Includes panel mounting screws and grounding hardware
- Hinged door with removable hinge pins
- Self-grounding quarter-turn latches
- Door opens 180 degrees
- Window door models include flush-mounted 3/16-in. (4.8-mm) clear polycarbonate window

FINISH

Textured light-gray RAL 7035 polyester powder coating inside and out

ACCESSORIES

See also *Accessories*.

- DIN Rail or Panel-Mounting Brackets
- DIN3 Rails
- Grounding Kit
- Lock Inserts
- Mounting-Bracket Kit
- Panels for Junction Boxes
- Wing Knob Latch

MODIFICATION AND CUSTOMIZATION

Hoffman excels at modifying and customizing products to your specifications. Contact your local Hoffman sales office or distributor for complete information.

BULLETIN: A54
Standard Product Hinged Solid Door

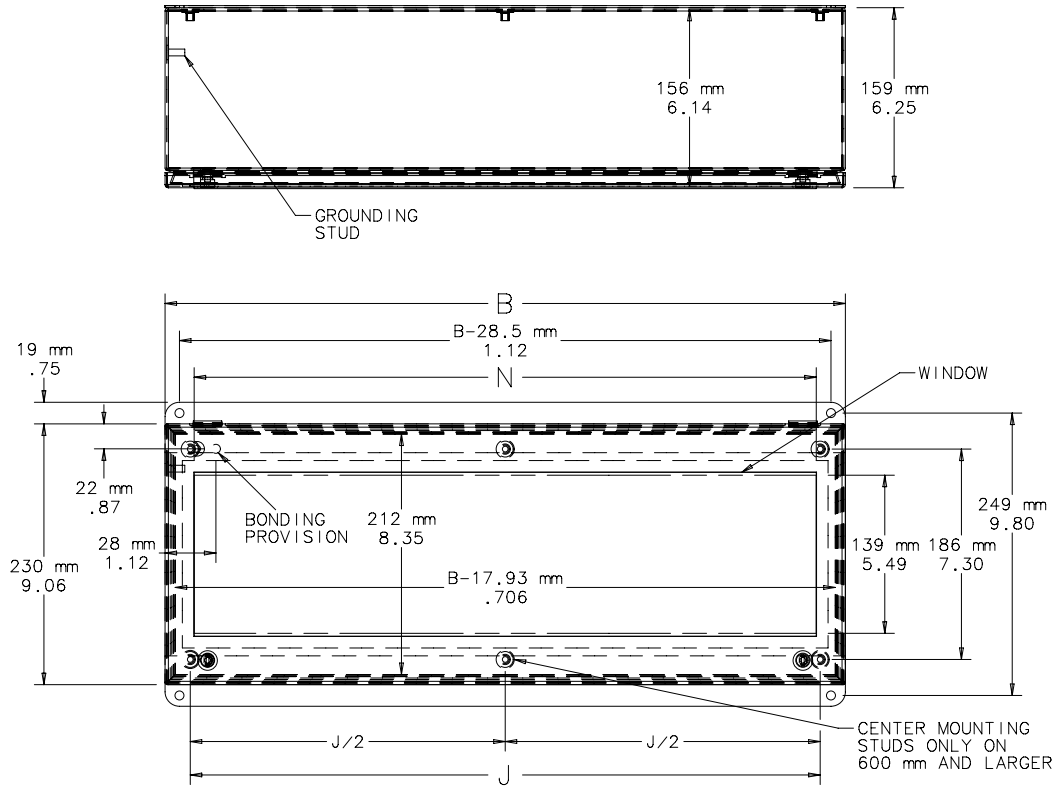
Catalog Number	AxBxC in./mm	Mounting Studs J mm/in.	Clear Space Above Panel mm/in.
LHC233116	9.06 x 12.20 x 6.10	265	140
	230 x 310 x 155	10.45	5.51
LHC234616	9.06 x 18.11 x 6.10	416	140
	230 x 460 x 155	16.36	5.51
LHC236016	9.06 x 23.62 x 6.10	556	140
	230 x 600 x 155	21.88	5.51
LHC237716	9.06 x 30.31 x 6.10	726	140
	230 x 770 x 155	28.57	5.51
LHC239316	9.06 x 36.61 x 6.10	881	140
	230 x 930 x 155	34.67	5.51

Enclosures are hinged on "B" side.

Purchase panels separately.

Standard Product **Hinged Window Door**

Catalog Number	AxBxC in./mm	Window Size N mm/in.	Mounting Studs J mm/in.	Clear Space Above Panel mm/in.
LWC233116	9.06 x 12.20 x 6.10 230 x 310 x 155	259 10.20	265 10.45	140 5.51
LWC234616	9.06 x 18.11 x 6.10 230 x 460 x 155	409 16.11	416 16.36	140 5.51
LWC236016	9.06 x 23.62 x 6.10 230 x 600 x 155	549 21.62	556 21.88	140 5.51
LWC237716	9.06 x 30.31 x 6.10 230 x 770 x 155	719 28.31	726 28.57	140 5.51
LWC239316	9.06 x 36.61 x 6.10 230 x 930 x 155	874 34.42	881 34.67	140 5.51



OPTIONAL COMPONENTS SELECTION TABLE

This table shows which optional components will fit the various sizes of **INLINE™ Landscape, Type 4 and 12.**

BULLETIN: A54

Catalog Number	AxBxC in./mm	Window Door Enclosure	Panel	Conductive Panel	DIN Rail or Panel Mounting Bracket
LHC233116	9.06 x 12.20 x 6.10 230 x 310 x 155	LWC233116	LP2331	LP2331G	LMK23
LHC234616	9.06 x 18.11 x 6.10 230 x 460 x 155	LWC234616	LP2346	LP2346G	LMK23
LHC236016	9.06 x 23.62 x 6.10 230 x 600 x 155	LWC236016	LP2360	LP2360G	LMK23
LHC237716	9.06 x 30.31 x 6.10 230 x 770 x 155	LWC237716	LP2377	LP2377G	LMK23
LHC239316	9.06 x 36.61 x 6.10 230 x 930 x 155	LWC239316	LP2393	LP2393G	LMK23

The catalog numbers in the first column are solid door enclosures.

600-mm and wider enclosures require two sets of brackets for mounting panels.

FUSION G7™, TYPE 4, 12
FUSION G7™

INDUSTRY STANDARDS

Wall-mounting brackets required to maintain UL/CSA external mounting requirement.

UL 508A Listed; Type 4, 12; File No. 61997
cUL Listed per CSA C22.2 No. 94; Type 4, 12; File No. 61997

NEMA/EEMAC Type 4, 12, 13
CSA File No. 42186: Type 4, 12
IEC 60529, IP66

APPLICATION

Innovative, metric-dimensioned wall-mount enclosure designed to house and protect electrical and electronic components in industrial environments. Provides traditional enclosure functionality with scalable internal component mounting capability using the optional internal mounting system and accessory components.

FEATURES

- Ninety-degree external formed flange trough collar around body opening
- Three-point latching on enclosures 1000-mm high and taller
- Door alignment device on doors with 3-point latching and 800 mm or wider
- Pre-cut gland plate opening(s) in enclosure bottom

- Quarter-turn latch(es) with 3-mm double-bit insert
- Corner-formed door
- Simple, easy-to-remove and install hinge pins with captivation clip
- High-torque threadless studs and fasteners on door
- Wide assortment of user-friendly internal accessories to increase internal mounting area capability and design flexibility
- Includes hardware package with grounding and sealing hardware and illustrated instruction sheet

SPECIFICATIONS

- Constructed from 1.2-mm, 1.5-mm and 2-mm thick steel (18, 16 and 14 gauge) (see table)
- Seamless foam-in-place gasket
- Reversible door with sealed hinges and hinge brackets
- Gland plate(s) for enclosure bottom
- Bonding provision on door; grounding studs (2) on body
- Full-height galvanized steel back panel included

FINISH

RAL 7035 textured, light-gray polyester powder paint inside and out
Panel is galvanized

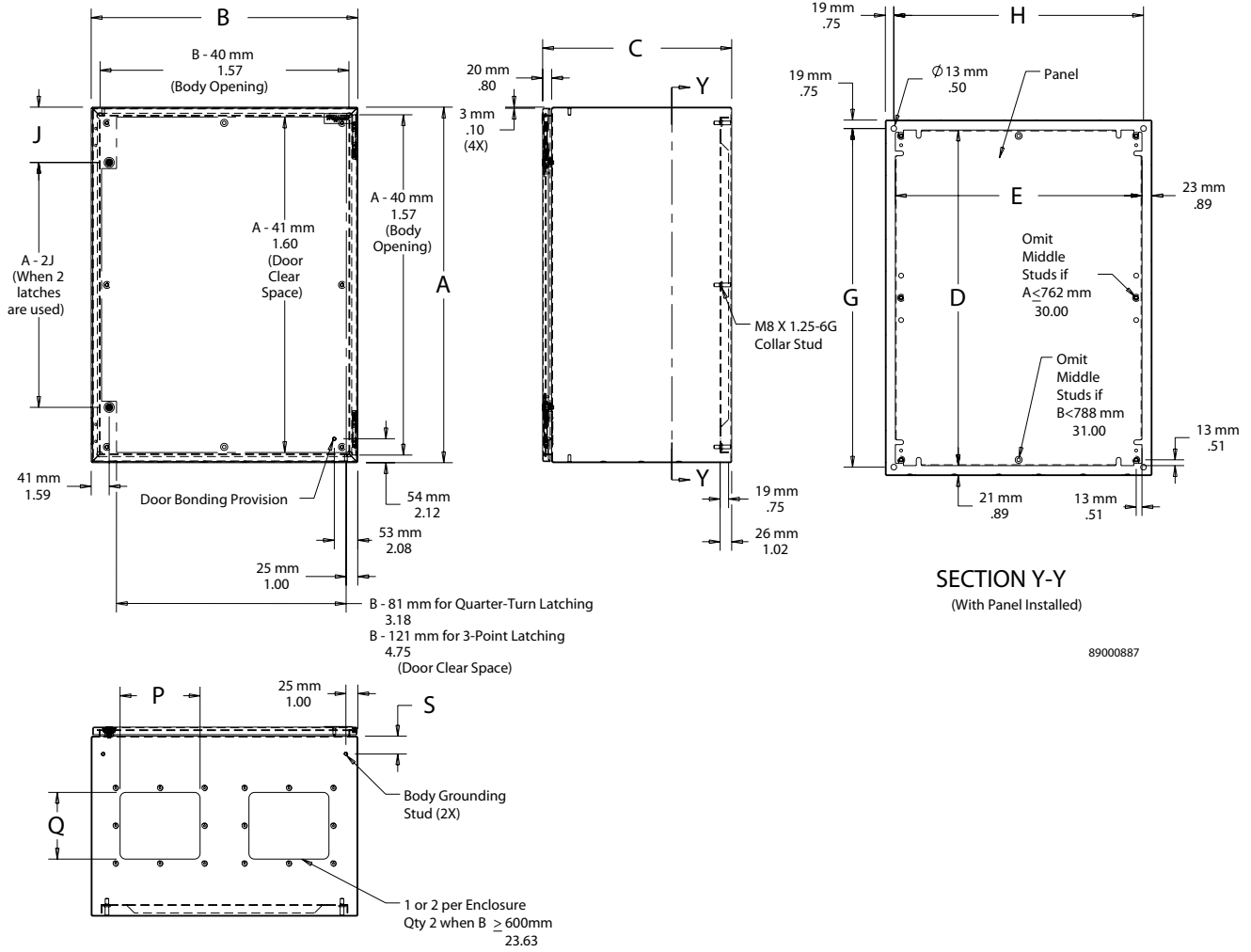
BULLETIN: A4G

Standard Product

Catalog Number	AxBxC mm/in.	Body Thickness mm	Body Thickness Gauge	Door Thickness mm	Door Thickness Gauge	Latch Type	D x E mm/in.	G x H mm/in.	J mm/in.	P x Q mm/in.	S mm/in.
G300300225G	300 x 300 x 225 11.81 x 11.81 x 8.86	1.2	18	1.2	18	Quarter-turn	255 x 255 10.04 x 10.04	262 x 262 10.31 x 10.31	150 5.91	180 x 90 7.09 x 3.54	39 1.55
G300400200G	300 x 400 x 200 11.81 x 15.75 x 7.87	1.2	18	1.2	18	Quarter-turn	255 x 355 10.04 x 13.98	262 x 362 10.31 x 14.25	150 5.91	280 x 90 11.02 x 3.54	39 1.55
G400300150	400 x 300 x 150 15.75 x 11.81 x 5.91	1.2	18	1.2	18	Quarter-turn	355 x 255 13.98 x 10.04	362 x 262 14.25 x 10.31	200 7.87	— —	39 1.55
G400300225G	400 x 300 x 225 15.75 x 11.81 x 8.86	1.2	18	1.2	18	Quarter-turn	355 x 255 13.98 x 10.04	362 x 262 14.25 x 10.31	200 7.87	180 x 90 7.09 x 3.54	39 1.55
G400400225G	400 x 400 x 225 15.75 x 15.75 x 8.86	1.2	18	1.2	18	Quarter-turn	355 x 355 13.98 x 13.98	362 x 362 14.25 x 14.25	200 7.87	280 x 90 11.02 x 3.54	39 1.55
G400600225G	400 x 600 x 225 15.75 x 23.62 x 8.86	1.2	18	1.2	18	Quarter-turn	355 x 555 13.98 x 21.85	362 x 562 14.25 x 22.13	200 7.87	180 x 90 7.09 x 3.54	39 1.55
G500400225G	500 x 400 x 225 19.69 x 15.75 x 8.86	1.2	18	1.2	18	Quarter-turn	455 x 355 17.91 x 13.98	462 x 362 18.19 x 14.25	250 9.84	280 x 90 11.02 x 3.54	39 1.55
G500500225G	500 x 500 x 225 19.69 x 19.69 x 8.86	1.2	18	1.2	18	Quarter-turn	455 x 455 17.91 x 17.91	462 x 462 18.19 x 18.19	250 9.84	280 x 90 11.02 x 3.54	39 1.55
G500500300G	500 x 500 x 300 19.69 x 19.69 x 11.81	1.5	16	1.2	18	Quarter-turn	455 x 455 17.91 x 17.91	462 x 462 18.19 x 18.19	250 9.84	280 x 150 11.02 x 5.91	39 1.55
G600400225G	600 x 400 x 225 23.62 x 15.75 x 8.86	1.2	18	1.2	18	Quarter-turn	555 x 355 21.85 x 13.98	562 x 362 22.13 x 14.25	300 11.81	280 x 90 11.02 x 3.54	39 1.55
G600500200G	600 x 500 x 200 23.62 x 19.69 x 7.87	1.2	18	1.5	16	Quarter-turn	555 x 455 21.85 x 17.91	562 x 462 22.13 x 18.19	300 11.81	280 x 90 11.02 x 3.54	39 1.55
G600500300G	600 x 500 x 300 23.62 x 19.69 x 11.81	1.5	16	1.5	16	Quarter-turn	555 x 455 21.85 x 17.91	562 x 462 22.13 x 18.19	300 11.81	280 x 150 11.02 x 5.91	39 1.55
G600600225G	600 x 600 x 225 23.62 x 23.62 x 8.86	1.5	16	1.5	16	Quarter-turn	555 x 555 21.85 x 21.85	562 x 562 22.13 x 22.13	125 4.92	180 x 90 7.09 x 3.54	39 1.55
G600600325G	600 x 600 x 325 23.62 x 23.62 x 12.80	1.5	16	1.5	16	Quarter-turn	555 x 555 21.85 x 21.85	562 x 562 22.13 x 22.13	125 4.92	180 x 150 7.09 x 5.91	39 1.55
G600600400G	600 x 600 x 400 23.62 x 23.62 x 15.75	2.0	14	1.5	16	Quarter-turn	555 x 555 21.85 x 21.85	562 x 562 22.13 x 22.13	125 4.92	180 x 150 7.09 x 5.91	39 1.55
G600800300G	600 x 800 x 300 23.62 x 31.50 x 11.81	1.5	16	1.5	16	Quarter-turn	555 x 755 21.85 x 29.72	562 x 762 22.13 x 30.00	125 4.92	180 x 150 7.09 x 5.91	102 4.02
G700500250G	700 x 500 x 250 27.56 x 19.69 x 9.84	1.5	16	1.5	16	Quarter-turn	655 x 455 25.79 x 17.91	662 x 462 26.06 x 18.19	125 4.92	280 x 90 11.02 x 3.54	39 1.55
G800600225G	800 x 600 x 225 31.50 x 23.62 x 8.86	1.5	16	1.5	16	Quarter-turn	755 x 555 29.72 x 21.85	762 x 562 30.00 x 22.13	125 4.92	180 x 90 7.09 x 3.54	39 1.55
G800600325G	800 x 600 x 325 31.50 x 23.62 x 12.80	1.5	16	1.5	16	Quarter-turn	755 x 555 29.72 x 21.85	762 x 562 30.00 x 22.13	125 4.92	180 x 150 7.09 x 5.91	39 1.55
G800600425G	800 x 600 x 425 31.50 x 23.62 x 16.73	2.0	14	1.5	16	Quarter-turn	755 x 555 29.72 x 21.85	762 x 562 30.00 x 22.13	125 4.92	180 x 150 7.09 x 5.91	39 1.55
G800800225G	800 x 800 x 225 31.50 x 31.50 x 8.86	1.5	16	2.0	14	Quarter-turn	755 x 755 29.72 x 29.72	762 x 762 30.00 x 30.00	125 4.92	280 x 90 11.02 x 3.54	39 1.55
G800800300G	800 x 800 x 300 31.50 x 31.50 x 11.81	2.0	14	2.0	14	Quarter-turn	755 x 755 29.72 x 29.72	762 x 762 30.00 x 30.00	125 4.92	180 x 150 7.09 x 5.91	102 4.02
G1000600250G	1000 x 600 x 250 39.37 x 23.62 x 9.84	2.0	14	2.0	14	3-pt. Quarter-turn	955 x 555 37.60 x 21.85	962 x 562 37.87 x 22.13	500 19.68	180 x 90 7.09 x 3.54	39 1.55
G1000800300G	1000 x 800 x 300 39.37 x 31.50 x 11.81	2.0	14	2.0	14	3-pt. Quarter-turn	955 x 755 37.60 x 29.72	962 x 762 37.87 x 30.00	500 19.68	180 x 150 7.09 x 5.91	102 4.02
G1000800400G	1000 x 800 x 400 39.37 x 31.50 x 15.75	2.0	14	2.0	14	3-pt. Quarter-turn	955 x 755 37.60 x 29.72	962 x 762 37.87 x 30.00	500 19.68	180 x 150 7.09 x 5.91	102 4.02
G1200800300G	1200 x 800 x 300 47.24 x 31.50 x 11.81	2.0	14	2.0	14	3-pt. Quarter-turn	1155 x 755 45.47 x 29.72	1162 x 762 45.75 x 30.00	600 23.62	180 x 150 7.09 x 5.91	102 4.02
G1200800400G	1200 x 800 x 400 47.24 x 31.50 x 15.75	2.0	14	2.0	14	3-pt. Quarter-turn	1155 x 755 45.47 x 29.72	1162 x 762 45.75 x 30.00	600 23.62	180 x 150 7.09 x 5.91	102 4.02
G1200900325G	1200 x 900 x 325 47.24 x 35.43 x 12.80	2.0	14	2.0	14	3-pt. Quarter-turn	1155 x 855 45.47 x 33.66	1162 x 862 45.75 x 33.94	600 23.62	280 x 150 11.02 x 5.91	102 4.02
G1500900325G	1500 x 900 x 325 59.06 x 35.43 x 12.80	2.0	14	2.0	14	3-pt. Quarter-turn	1455 x 855 57.28 x 33.66	1462 x 862 57.57 x 33.94	750 29.53	280 x 150 11.02 x 5.91	102 4.02
G1500900425G	1500 x 900 x 425 59.06 x 35.43 x 16.73	2.0	14	2.0	14	3-pt. Quarter-turn	1455 x 855 57.28 x 33.66	1462 x 862 57.57 x 33.94	750 29.53	280 x 150 11.02 x 5.91	102 4.02

G400300150 does not have a gland plate.





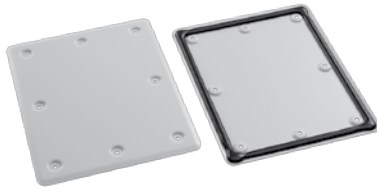
89000887

Accessory Selection Matrix

FUSION G7™	Full Back Panel	Half Back Panel	Full Side Panel	Half Side Panel	Side-Mount Accessory Rail	Horizontal Separator	100-mm Plinth Base	Aluminum Swing Panel	Front and Back Vertical Accessory Mounting Rails	Top/Bottom Mounting Brackets
G300300225G	G300P300	G300P300H	G300SMP225	G300SMP225H	G50SMR225	GHS300225	—	—	GAMR300	GTBMTBKT300
G300400200G	G400P300	G300P400H	G300SMP200	G300SMP200H	G50SMR200	GHS400200	—	—	GAMR300	GTBMTBKT400
G400300150	G400P300	G400P300H	G400SMP150	G400SMP150H	G50SMR150	—	—	—	GAMR400	GTBMTBKT300
G400300225G	G400P300	G400P300H	G400SMP225	G400SMP225H	G50SMR225	GHS300225	—	GSP400300A	GAMR400	GTBMTBKT300
G400400225G	G400P400	G400P400H	G400SMP225	G400SMP225H	G50SMR225	GHS400225	—	—	GAMR400	GTBMTBKT400
G400600225G	G600P400	G400P600H	G400SMP225	G400SMP225H	G50SMR225	GHS400225	—	—	GAMR400	GTBMTBKT600
G500400225G	G500P400	G500P400H	G500SMP225	G500SMP225H	G50SMR225	GHS400225	—	GSP500400A	GAMR500	GTBMTBKT400
G500500225G	G500P500	G500P500H	G500SMP225	G500SMP225H	G50SMR225	GHS500225	—	GSP500500A	GAMR500	GTBMTBKT500
G500500300G	G500P500	G500P500H	G500SMP300	G500SMP300H	G50SMR300	GHS500300	—	GSP500500A	GAMR500	GTBMTBKT500
G600400225G	G600P400	G600P400H	G600SMP225	G600SMP225H	G50SMR225	GHS400225	—	—	GAMR600	GTBMTBKT400
G600500200G	G600P500	G600P500H	G600SMP200	G600SMP200H	G50SMR200	GHS500200	—	GSP600500A	GAMR600	GTBMTBKT500
G600500300G	G600P500	G600P500H	G600SMP300	G600SMP300H	G50SMR300	GHS500300	—	GSP600500A	GAMR600	GTBMTBKT500
G600600225G	G600P600	G600P600H	G600SMP225	G600SMP225H	G50SMR225	GHS600225	—	GSP600600A	GAMR600	GTBMTBKT600
G600600325G	G600P600	G600P600H	G600SMP325	G600SMP325H	G50SMR325	GHS600325	—	GSP600600A	GAMR600	GTBMTBKT600
G600600400G	G600P600	G600P600H	G600SMP400	G600SMP400H	G50SMR400	GHS600400	—	GSP600600A	GAMR600	GTBMTBKT600
G600800300G	G800P600	G600P800H	G600SMP300	G600SMP300H	G50SMR300	GHS800300	GPB800300	—	GAMR600	GTBMTBKT800
G700500250G	G700P500	G700P500H	G700SMP250	G700SMP250H	G50SMR250	GHS500250	—	GSP700500A	GAMR700	GTBMTBKT500
G800600225G	G800P600	G800P600H	G800SMP225	G800SMP225H	G50SMR225	GHS600225	—	GSP800600A	GAMR800	GTBMTBKT600
G800600325G	G800P600	G800P600H	G800SMP325	G800SMP325H	G50SMR325	GHS600325	—	GSP800600A	GAMR800	GTBMTBKT600
G800600425G	G800P600	G800P600H	G800SMP425	G800SMP425H	G50SMR425	—	—	GSP800600A	GAMR800	GTBMTBKT600
G800800225G	G800P800	G800P800H	G800SMP225	G800SMP225H	G50SMR225	—	—	—	GAMR800	GTBMTBKT800
G800800300G	G800P800	G800P800H	G800SMP300	G800SMP300H	G50SMR300	GHS800300	GPB800300	—	GAMR800	GTBMTBKT800
G1000600250G	G1000P600	G1000P600H	G1000SMP250	G1000SMP250H	G50SMR250	GHS600250	—	GSP1000600A	GAMR1000	GTBMTBKT600
G1000800300G	G1000P800	G1000P800H	G1000SMP300	G1000SMP300H	G50SMR300	GHS800300	GPB800300	GSP1000800A	GAMR1000	GTBMTBKT800
G1000800400G	G1000P800	G1000P800H	G1000SMP400	G1000SMP400H	G50SMR400	GHS800400	GPB800400	GSP1000800A	GAMR1000	GTBMTBKT800
G1200800300G	G1200P800	G1200P800H	G1200SMP300	G1200SMP300H	G50SMR300	GHS800300	GPB800300	GSP1200800A	GAMR1200	GTBMTBKT800
G1200800400G	G1200P800	G1200P800H	G1200SMP400	G1200SMP400H	G50SMR400	GHS800400	GPB800400	GSP1200800A	GAMR1200	GTBMTBKT800
G1200900325G	G1200P900	G1200P900H	G1200SMP325	G1200SMP325H	G50SMR325	GHS900325	GPB900325	GSP1200900A	GAMR1200	GTBMTBKT900
G1500900325G	G1500P900	G1500P900H	G1500SMP325	G1500SMP325H	G50SMR325	GHS900325	GPB900325	GSP1500900A	GAMR1500	GTBMTBKT900
G1500900425G	G1500P900	G1500P900H	G1500SMP425	G1500SMP425H	G50SMR425	GHS900425	GPB900425	GSP1500900A	GAMR1500	GTBMTBKT900

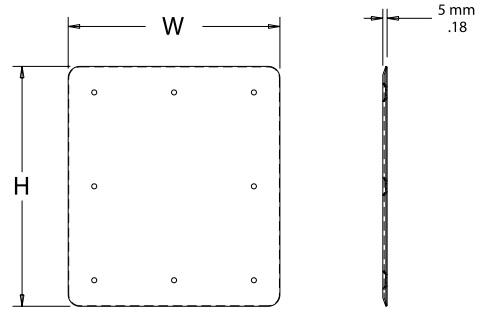


GLAND PLATE



Constructed of 1.5-mm thick (16 gauge) steel and designed for use with FUSION G7™ enclosures. Provides a removable cable egress and entry plate while maintaining IP/UL/CSA integrity of the enclosure. RAL 7035 textured, light-gray polyester powder paint finish. Foam-in-place gasket, fasteners and instructions provided. Maintains IP66/UL/CSA Type 4 and 12 when properly installed on a Hoffman enclosure.

BULLETIN: A4GY



89000888

Catalog Number	Cutout Size (mm)	Cutout Size (in.)	W x H (mm)	W x H (in.)
GGP90180	90 x 180	3.54 x 7.09	165 x 255	6.50 x 10.04
GGP90280	90 x 280	3.54 x 11.02	165 x 355	6.50 x 13.98
GGP150180	150 x 180	5.91 x 7.09	225 x 255	8.86 x 10.04
GGP150280	150 x 280	5.91 x 11.02	225 x 355	8.86 x 13.98

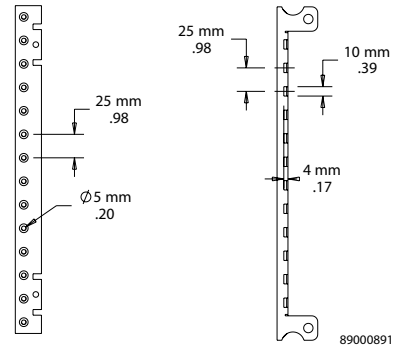
FRONT AND BACK VERTICAL ACCESSORY MOUNTING RAILS



Constructed of galvanized steel. Front rail is 2.0-mm thick (14 gauge) and back rail is 1.5-mm thick (16 gauge). Package includes two front and two back rails and mounting screws.

Required for side-mount and adjustable-depth accessory installation.

BULLETIN: A4GY



Front Rail

Back Rail

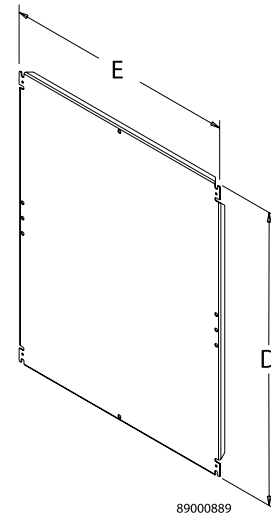
Catalog Number	Fits A (mm)	Fits A (in.)
GAMR300	300	11.81
GAMR400	400	15.75
GAMR500	500	19.68
GAMR600	600	23.62
GAMR700	700	27.56
GAMR800	800	31.50
GAMR1000	1000	39.37
GAMR1200	1200	47.24
GAMR1500	1500	59.05

FULL-HEIGHT BACK PANEL



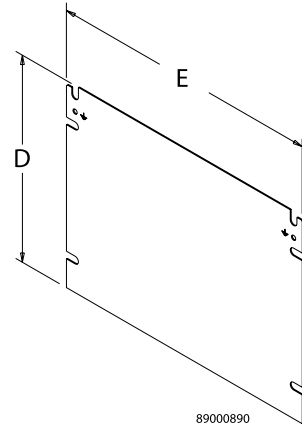
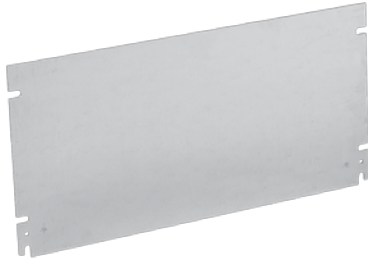
Galvanized steel full-height panels. See table for thickness. M8 panel mounting nuts provided with 50-mm front-to-back side-mount accessory rails and side-mount accessory rail brackets.

BULLETIN: A4GY



Catalog Number	D x E (mm)	D x E (in.)	Thickness (mm)	Thickness (Gauge)	Fits A x B (mm)	Fits A x B (in.)
G300P300	255 x 255	10.04 x 10.04	1.5	16	300 x 300	11.81 x 11.81
G400P300	355 x 255	13.98 x 10.04	1.5	16	400 x 300 or 300 x 400	15.75 x 11.81 or 11.81 x 15.75
G400P400	355 x 355	13.98 x 13.98	1.5	16	400 x 400	15.75 x 15.75
G500P400	455 x 355	17.91 x 13.98	1.5	16	500 x 400	19.68 x 15.75
G600P400	555 x 355	21.85 x 13.98	1.5	16	600 x 400 or 400 x 600	23.62 x 15.75 or 15.75 x 23.62
G500P500	455 x 455	17.91 x 17.91	1.5	16	500 x 500	19.68 x 19.68
G600P500	555 x 455	21.85 x 17.91	1.5	16	600 x 500	23.62 x 19.68
G700P500	655 x 455	25.79 x 17.91	2.0	14	700 x 500	27.56 x 19.68
G600P600	555 x 555	21.85 x 21.85	2.0	14	600 x 600	23.62 x 23.62
G800P600	755 x 555	29.72 x 21.85	2.0	14	800 x 600 or 600 x 800	31.50 x 23.62 or 23.62 x 31.50
G1000P600	955 x 555	37.60 x 21.85	2.5	12	1000 x 600	39.37 x 23.62
G800P800	755 x 755	29.72 x 29.72	2.5	12	800 x 800	31.50 x 31.50
G1000P800	955 x 755	37.60 x 29.72	2.5	12	1000 x 800	39.37 x 31.50
G1200P800	1155 x 755	45.47 x 29.72	2.5	12	1200 x 800	47.24 x 31.50
G1200P900	1155 x 855	45.47 x 33.66	2.5	12	1200 x 900	47.24 x 35.43
G1500P900	1455 x 855	57.28 x 33.66	2.5	12	1500 x 900	59.05 x 35.43

HALF-HEIGHT BACK PANEL

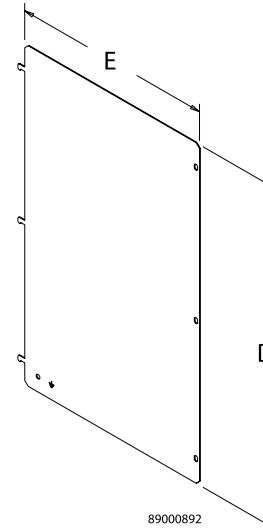


Galvanized steel half-height back panels. See table for thickness. M8 panel mounting nuts provided with 50-mm front-to-back side-mount accessory rails and side-mount accessory rail brackets.

BULLETIN: A4GY

Catalog Number	D x E (mm)	D x E (in.)	Thickness (mm)	Thickness (Gauge)	Fits A x B (mm)	Fits A x B (in.)
G300P300H	120 x 255	4.72 x 10.04	1.5	16	300 x 300	11.81 x 11.81
G300P400H	120 x 355	4.72 x 13.98	1.5	16	300 x 400	11.81 x 15.75
G400P300H	170 x 255	6.69 x 10.01	1.5	16	400 x 300	15.75 x 11.81
G400P400H	170 x 355	6.69 x 13.98	1.5	16	400 x 400	15.75 x 15.75
G400P600H	170 x 555	6.69 x 21.85	1.5	16	400 x 600	15.75 x 23.62
G500P400H	220 x 355	8.66 x 13.98	1.5	16	500 x 400	19.68 x 15.75
G500P500H	220 x 455	8.66 x 17.91	1.5	16	500 x 500	19.68 x 19.68
G600P400H	270 x 355	10.63 x 13.98	1.5	16	600 x 400	23.62 x 15.75
G600P500H	270 x 455	10.63 x 17.91	1.5	16	600 x 500	23.62 x 19.68
G600P600H	270 x 555	10.63 x 21.85	1.5	16	600 x 600	23.62 x 23.62
G600P800H	270 x 755	10.63 x 29.72	1.5	16	600 x 800	23.62 x 32.50
G700P500H	320 x 455	12.60 x 17.91	1.5	16	700 x 500	27.56 x 19.68
G800P600H	370 x 555	14.57 x 21.85	1.5	16	800 x 600	31.50 x 23.62
G800P800H	370 x 755	14.57 x 29.72	1.5	16	800 x 800	32.50 x 32.50
G1000P600H	470 x 555	18.50 x 21.85	1.5	16	1000 x 600	39.37 x 23.62
G1000P800H	470 x 755	18.50 x 29.72	2.0	14	1000 x 800	39.37 x 31.50
G1200P800H	570 x 755	22.44 x 29.72	2.0	14	1200 x 800	47.24 x 31.50
G1200P900H	570 x 855	22.44 x 33.66	2.0	14	1200 x 900	47.24 x 35.43
G1500P900H	720 x 855	28.35 x 33.66	2.0	14	1500 x 900	59.05 x 35.43



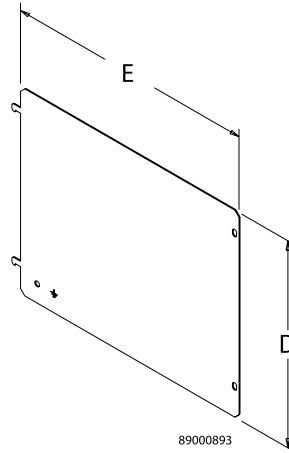
FULL-HEIGHT SIDE PANEL


Galvanized steel full-height side panels. Panel mounting hardware is furnished with the panel. See table for thickness.

BULLETIN: A4GY

Catalog Number	D x E (mm)	D x E (in.)	Thickness (mm)	Thickness (Gauge)	Fits A x C (mm)	Fits A x C (in.)
G300SMP200	255 x 142	10.04 x 5.59	1.5	16	300 x 200	11.71 x 7.87
G300SMP225	255 x 167	10.01 x 6.57	1.5	16	300 x 255	11.71 x 10.04
G400SMP150	355 x 92	13.98 x 3.62	1.5	16	400 x 150	15.75 x 5.91
G400SMP225	355 x 167	13.98 x 6.57	1.5	16	400 x 225	15.75 x 10.04
G500SMP225	455 x 167	17.91 x 6.57	1.5	16	500 x 255	19.68 x 10.04
G500SMP300	455 x 242	17.91 x 9.53	1.5	16	500 x 300	19.68 x 11.71
G600SMP200	555 x 142	21.85 x 5.59	1.5	16	600 x 200	23.62 x 7.87
G600SMP225	555 x 167	21.85 x 6.57	1.5	16	600 x 225	23.62 x 10.04
G600SMP300	555 x 242	21.85 x 9.53	1.5	16	600 x 300	23.62 x 11.71
G600SMP325	555 x 267	21.85 x 10.51	1.5	16	600 x 325	23.62 x 12.80
G600SMP400	555 x 342	21.85 x 13.46	1.5	16	600 x 400	23.62 x 15.75
G700SMP250	655 x 192	25.79 x 7.56	1.5	16	700 x 250	27.56 x 9.84
G800SMP225	755 x 167	29.72 x 6.57	1.5	16	800 x 225	31.50 x 10.04
G800SMP300	755 x 242	29.72 x 9.53	1.5	16	800 x 300	31.50 x 11.71
G800SMP325	755 x 267	29.72 x 10.51	1.5	16	800 x 325	31.50 x 12.80
G800SMP425	755 x 367	29.72 x 14.45	1.5	16	800 x 425	31.50 x 16.73
G1000SMP250	955 x 192	37.60 x 7.56	1.5	16	1000 x 250	39.37 x 9.87
G1000SMP300	955 x 242	37.60 x 9.53	1.5	16	1000 x 300	39.37 x 11.71
G1000SMP400	955 x 342	37.60 x 13.46	1.5	16	1000 x 400	39.37 x 15.75
G1200SMP300	1155 x 242	45.47 x 9.53	1.5	16	1200 x 300	47.24 x 11.71
G1200SMP325	1155 x 267	45.47 x 10.51	1.5	16	1200 x 325	47.24 x 12.80
G1200SMP400	1155 x 342	45.47 x 13.46	1.5	16	1200 x 400	47.24 x 15.75
G1500SMP325	1455 x 267	57.28 x 10.51	1.5	16	1500 x 325	59.05 x 12.80
G1500SMP425	1455 x 367	57.28 x 14.45	1.5	16	1500 x 425	59.05 x 16.73

HALF-HEIGHT SIDE PANEL

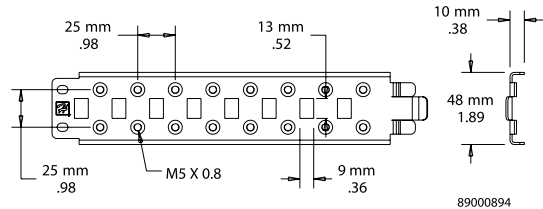
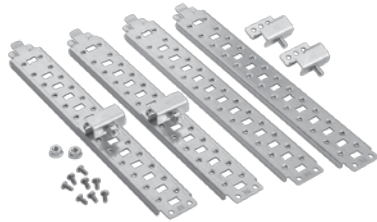


Galvanized steel half-height side panels are 1.5-mm thick (16 gauge). Panel mounting hardware is furnished with the panel.

BULLETIN: A4GY

Catalog Number	D x E (mm)	D x E (in.)	Fits A x C (mm)	Fits A x C (in.)
G300SMP200H	120 x 142	4.72 x 5.59	300 x 200	11.81 x 7.87
G300SMP225H	120 x 167	4.72 x 6.57	300 x 225	11.81 x 8.86
G400SMP150H	170 x 92	6.69 x 3.62	400 x 150	15.75 x 5.91
G400SMP225H	170 x 167	6.69 x 6.57	400 x 225	15.75 x 8.86
G500SMP225H	220 x 167	8.66 x 6.57	500 x 225	19.68 x 8.86
G500SMP300H	220 x 242	8.66 x 9.53	500 x 300	19.68 x 11.81
G600SMP200H	270 x 142	10.63 x 5.59	600 x 200	23.62 x 7.87
G600SMP225H	270 x 167	10.63 x 6.57	600 x 225	23.62 x 8.86
G600SMP300H	270 x 242	10.63 x 9.53	600 x 300	23.62 x 11.81
G600SMP325H	270 x 267	10.63 x 10.51	300 x 325	11.81 x 12.76
G600SMP400H	270 x 342	10.63 x 13.46	600 x 400	23.62 x 15.75
G700SMP250H	320 x 192	12.60 x 7.56	700 x 250	27.56 x 9.84
G800SMP225H	370 x 167	14.57 x 6.57	800 x 225	31.50 x 8.86
G800SMP300H	370 x 242	14.57 x 9.53	800 x 300	31.50 x 11.81
G800SMP325H	370 x 267	14.57 x 10.51	800 x 325	31.50 x 12.76
G800SMP425H	370 x 367	14.57 x 14.45	800 x 425	31.50 x 16.73
G1000SMP250H	470 x 192	18.50 x 7.56	1000 x 250	39.37 x 9.84
G1000SMP300H	470 x 242	18.50 x 9.53	1000 x 300	39.37 x 11.81
G1000SMP400H	470 x 342	18.50 x 13.46	1000 x 400	39.37 x 15.75
G1200SMP300H	570 x 242	22.44 x 9.53	1200 x 300	47.24 x 11.81
G1200SMP325H	570 x 267	22.44 x 10.51	1200 x 325	47.24 x 12.76
G1200SMP400H	570 x 342	22.44 x 13.46	1200 x 400	47.24 x 15.75
G1500SMP325H	720 x 267	28.35 x 10.51	1500 x 325	59.05 x 12.80
G1500SMP425H	720 x 367	28.35 x 14.45	1500 x 425	59.05 x 16.73

SIDE-MOUNT ACCESSORY RAIL

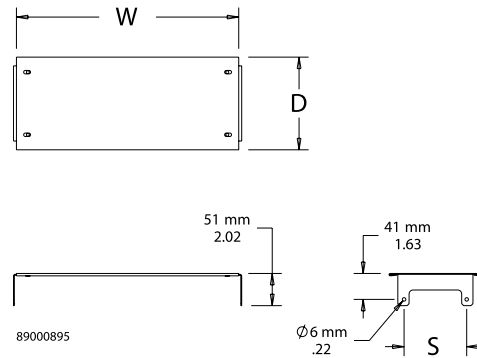


Easy-to-install side (front-to-back) mounting rails provide side and depth mounting capability using minimal tools. Rails are 1.5-mm thick (16 gauge) galvanized steel. Qty. 4 per package. Includes panel-mount brackets, nuts and screws.

BULLETIN: A4GY

Catalog Number	Fits Depth (mm)	Fits Depth (in.)
G50SMR150	150	5.91
G50SMR200	200	7.87
G50SMR225	225	8.86
G50SMR250	250	9.84
G50SMR300	300	11.81
G50SMR325	325	12.80
G50SMR400	400	15.75
G50SMR425	425	16.73

HORIZONTAL SEPARATOR

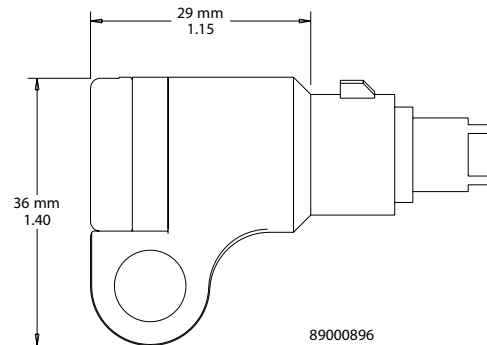


Horizontal Separator mounts onto side-mount accessory rails to divide the FUSION G7™ into separate compartments. Galvanized 1.5-mm thick (16 gauge) steel. Mounting hardware provided.

BULLETIN: A4GY

Catalog Number	Fits B x C (mm)	Fits B x C (in.)	W x D (mm)	W x D (in.)	S (mm)	S (in.)
GHS300225	300 x 225	11.81 x 8.86	255 x 148	10.04 x 5.83	100	3.94
GHS400200	400 x 200	15.75 x 7.87	355 x 123	13.98 x 4.84	75	2.95
GHS400225	400 x 225	15.75 x 8.86	355 x 148	13.98 x 5.83	100	3.94
GHS500200	500 x 200	19.68 x 7.87	455 x 123	17.91 x 4.84	75	2.95
GHS500225	500 x 225	19.68 x 8.86	455 x 148	17.91 x 5.83	100	3.94
GHS500250	500 x 250	19.68 x 9.84	455 x 173	17.91 x 6.81	125	4.92
GHS500300	500 x 300	19.68 x 11.81	455 x 223	17.91 x 8.87	175	6.89
GHS600225	600 x 225	23.62 x 8.86	555 x 148	21.85 x 5.83	100	3.94
GHS600250	600 x 250	23.62 x 9.84	555 x 173	21.85 x 6.81	125	4.92
GHS600325	600 x 325	23.62 x 12.80	555 x 248	21.85 x 9.76	200	7.78
GHS600400	600 x 400	23.62 x 15.75	555 x 323	21.85 x 12.72	275	10.83
GHS800300	800 x 300	32.50 x 11.81	755 x 223	29.72 x 8.78	175	6.89
GHS800400	800 x 400	32.50 x 15.75	755 x 323	29.72 x 12.72	275	10.83
GHS900325	900 x 325	35.43 x 12.50	855 x 248	33.66 x 9.76	200	7.87
GHS900425	900 x 425	35.43 x 16.73	855 x 348	33.66 x 13.70	300	11.81

PADLOCK INSERTS



Padlock Inserts fit into standard quarter-turn latches. They are made of black composite material (PBT) with zinc insert and replace the standard 3-mm double-bit insert when padlocking security is required. Available with 3-mm double bit or slotted screwdriver tool to open. Accommodate up to 5/16-in. diameter padlock shank.

BULLETIN: A4GY

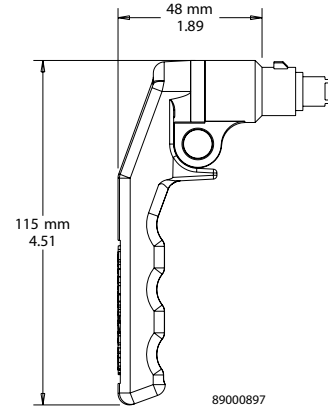
Catalog Number	Description
GPDLCK3MM	3-mm double-bit padlock insert
GPDLCKSLOT	Slotted screwdriver padlock insert

HANDLES



These black composite handles with zinc insert can replace the standard quarter-turn 3-mm double bit insert on all FUSION G7™ wall-mount enclosures. The keylocking handle is available for applications requiring quick access and keylocking security. The padlocking handle accommodates up to a 5/16-in. diameter padlock shank. Each latch system can be converted from clockwise to counter-clockwise opening. Maintains IP66 and UL/CSA Type 4 and 12 when properly installed in a Hoffman FUSION G7 enclosure.

BULLETIN: A4GY



Catalog Number	Description
GKEYLOCKHDL	Key-Locking Handle
GPLOCKHDL	Padlocking Handle

HINGE PIN KITS

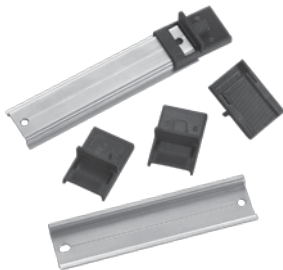


Easy-to-remove and replace hinge pins facilitate door removal or reversing. Available in plated or stainless steel.

BULLETIN: A4GY, VM3

Catalog Number	Description	Pkg. Qty.
GHPINSS	Stainless steel	2
GHPINMS	Plated steel	2

DIN RAIL MOUNTING ADAPTER



Allows quick and simple installation of TS35 x 7.5 DIN (DIN3) rail. Black composite (PBT) material. DIN rail not included.

BULLETIN: A4GY

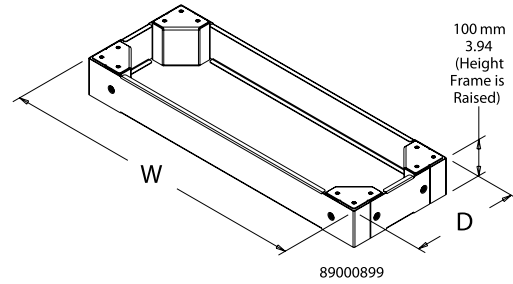
Catalog Number	Pkg. Qty.
GDINRAILBKT	10

100-MM PLINTH BASE



Install 100-mm Plinth Base under FUSION G7™ enclosure to provide space for cables to enter from below. Constructed of 1.5-mm thick (16 gauge) steel sides and 2.5-mm thick (12 gauge) corners with textured RAL 9005 black finish. Mounting hardware included with base.

BULLETIN: A4GY



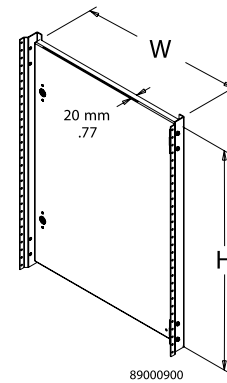
Catalog Number	Fits B x C (mm)	Fits B x C (in.)	W x D (mm)	W x D (in.)
GPB800300	800 x 300	31.50 x 11.81	800 x 279	31.50 x 10.98
GPB800400	800 x 400	31.50 x 15.75	800 x 379	31.50 x 14.92
GPB900325	900 x 325	35.43 x 12.80	900 x 304	35.43 x 11.97
GPB900425	900 x 425	35.43 x 16.73	900 x 404	35.43 x 15.91

ALUMINUM SWING PANEL



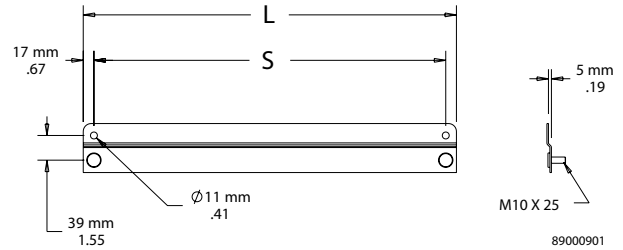
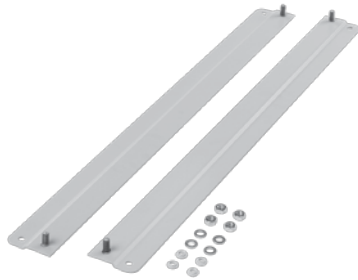
2.5-mm (.100-in.) thick Aluminum Swing Panel provides a convenient way to install controls and instruments near the front of the FUSION G7™ enclosure while providing access and security. Mounting hardware and 3-mm double-bit key included with panel.

BULLETIN: A4GY



Catalog Number	Fits A x B (mm)	Fits A x B (in.)	H x W (mm)	H x W (in.)
GSP400300A	400 x 300	15.75 x 11.81	315 x 233	12.40 x 9.16
GSP500400A	500 x 400	19.68 x 15.75	415 x 333	16.34 x 13.11
GSP500500A	500 x 500	19.68 x 19.68	415 x 433	16.34 x 17.05
GSP600500A	600 x 500	23.62 x 19.68	515 x 433	20.27 x 17.05
GSP600600A	600 x 600	23.62 x 23.62	515 x 533	20.27 x 20.98
GSP700500A	700 x 500	27.56 x 19.68	615 x 433	24.21 x 17.05
GSP800600A	800 x 600	32.50 x 23.62	715 x 533	28.15 x 20.98
GSP1000600A	1000 x 600	39.37 x 23.62	915 x 533	36.02 x 20.98
GSP1000800A	1000 x 800	39.37 x 31.50	915 x 733	36.02 x 28.86
GSP1200800A	1200 x 800	47.24 x 31.50	1115 x 733	28.24 x 28.86
GSP1200900A	1200 x 900	47.24 x 35.43	1115 x 833	28.24 x 32.80
GSP1500900A	1500 x 900	59.05 x 35.43	1415 x 833	55.71 x 32.80

FULL-WIDTH TOP AND BOTTOM MOUNTING-BRACKET KITS WITH STUDS



Use to mount FUSION G7™ to a wall or another enclosure. Includes two 2.5-mm thick (12 gauge) steel external mounting brackets and mounting hardware. Finished with RAL 7035 textured light-gray polyester powder paint.

Mounting brackets are required to maintain UL/CSA external mounting requirement.

BULLETIN: A4GY

Catalog Number	Fits B (mm)	Fits B (in.)	L (mm)	L (in.)	S (mm)	S (in.)
GTBMTBKT300	300	11.81	296	11.65	262	10.31
GTBMTBKT400	400	15.75	396	15.59	362	14.25
GTBMTBKT500	500	19.68	496	19.53	462	18.19
GTBMTBKT600	600	23.62	596	23.46	562	22.12
GTBMTBKT800	800	31.50	796	31.34	762	30.00
GTBMTBKT900	900	35.43	896	35.62	862	33.93

DOUBLE-BIT KEYS



Black non-metallic 3-mm double-bit keys. Package of two.

BULLETIN: A4GY

Catalog Number	Description	Pkg. Qty.
GKEY3MMDB	3-mm black, non-metallic	2

SCREW PACKAGE



5-mm screws for FUSION G7™ internal accessories. Package of 20.

BULLETIN: A4GY

Catalog Number	Description	Pkg. Qty.
GSM5	5-mm screw M5 x 0.8 x 10	20

PANEL MOUNTING BRACKETS



Package includes four mounting brackets, four M8 nuts and eight 5-mm screws.

BULLETIN: A4GY

Catalog Number	Description
GSMRBKTS	Panel mounting brackets; fit side-mount accessory rails

FUSION G7™ DOOR STOP KIT



Designed for use on FUSION G7 enclosures to secure the door in the open position. Door Stop Kit can be mounted at the top or bottom of the door opening, as well as left- or right-hand hinged. Door stop is stainless steel with plated and stainless steel mounting hardware. Maintains IP66 and UL/CSA Type 4 and 12 when properly installed in a Hoffman FUSION G7 enclosure.

BULLETIN: A4GY

Catalog Number	Description
GDSTOPK	FUSION G7 Door Stop Kit

LOCK INSERTS



Lock inserts can be substituted for the standard 3-mm double-bit latch insert. Inserts have a chrome finish. Matching key is zinc die-cast.

BULLETIN: A4GY, CWY

Catalog Number	Description
CLKTM7	Triangular 7-mm insert with key
CLKSM7	Square 7-mm insert with key
CLKDBM3	Double bit with key
CLKSLOT	Slotted Insert no key

MOUNTING-BRACKET KITS



Mounting-Bracket Kits are field installable. Composite and stainless steel brackets are rated to Type 4X. Set of four (4) brackets can support 500 lb. maximum load. All hardware is included. Four brackets per kit. *Mounting brackets are required to maintain UL/CSA external mounting requirement.*

BULLETIN: A80

Catalog Number	Description
CMFK	Steel
CMFKSS	Stainless Steel
CMTGFT	Composite

DOOR BARS

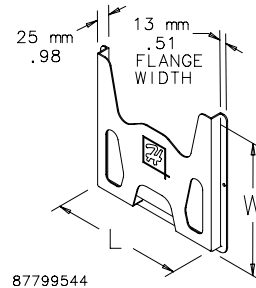


Non-metallic door bar includes pressure-sensitive tape adhesive.

BULLETIN: CWY

Catalog Number	Description	Length	Qty.
ADB305MM	Door Bar	8 in. (203 mm)	4

THERMOPLASTIC DATA POCKET



87799544

Provides a convenient place to store wiring diagrams, operation manuals and other documentation inside the enclosure. Adhesive-backed pockets mount inside the solid enclosure cover. Mounting hardware included. Thermoplastic pockets are dark gray and have cut-away areas for easy inspection of contents.

BULLETIN: UX1Y

Catalog Number	Description	Size L x W in./mm
ADP1	Small pocket	6.00 x 6.00 152 x 152
ADP2	Large pocket	12.00 x 12.00 305 x 305

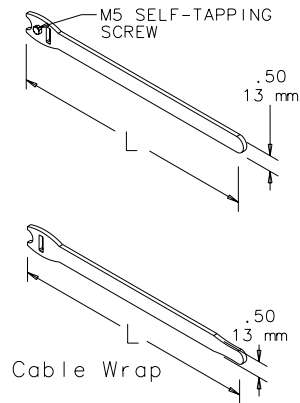
VELCRO® CABLE WRAP



Securely holds cable to cable manager and unfastens easily for cable maintenance. VELCRO® is 0.5-in. (12.7-mm) wide. Available in 8- and 12-in. (203- and 305-mm) lengths in both screw fastener and wrap styles. M5 self-tapping screw is used on Net Series or PROLINE™ frames.

VELCRO is a trademark of Velcro Industries B.V.

BULLETIN: DACCY



87951397

Catalog Number	Description	L (in.)	L (mm)	Color	Pkg. Qty.
ECWTD8B	Screw fastener style. Includes M5 mounting screw.	8.00	203	Black	10
ECWTD12B	Screw fastener style. Includes M5 mounting screw.	12.00	305	Black	10
ECW8B	Wrap style	8.00	203	Black	10
ECW8R	Wrap style	8.00	203	Red	10
ECW8BL	Wrap style	8.00	203	Blue	10
ECW8Y	Wrap style	8.00	203	Yellow	10
ECW12B	Wrap style	12.00	305	Black	10
ECW12R	Wrap style	12.00	305	Red	10
ECW12BL	Wrap style	12	305	Blue	10
ECW12Y	Wrap style	12	305	Yellow	10

CONCEPT™, TYPE 4 AND 12


1

INDUSTRY STANDARDS

Wall-mounting brackets required to maintain UL/CSA external mounting requirement.

CONCEPT solid single-door, door with window and flush-mount models

UL 508A Listed; Type 4, 12; File No. E61997
 cUL Listed per CSA C22.2 No. 94; Type 4, 12; File No. E61997

NEMA/EEMAC Type 4, 12, 13
 CSA, File No. 42186; Type 4, 12
 VDE IP66
 IEC 60529, IP66

CONCEPT two-door models

UL 508A Listed; Type 12; File No. E61997
 cUL Listed per CSA C22.2 No. 94; Type 12; File No. E61997

NEMA/EEMAC Type 12
 CSA, File No. 42186, Type 12
 VDE IP 55
 IEC 60529, IP55

APPLICATION

CONCEPT™ Enclosures are ideal for machine control applications. With streamlined styling, flush quarter-turn latches and an attractive, durable finish. Available in solid or window single-door and two-door landscape, flush-mount and sloped-top versions for application and mounting flexibility. Two-door landscape models provide full-width access and easy panel installation.

SPECIFICATIONS

- 14, 16 or 18 gauge steel (see table)
- Seams continuously welded and ground smooth
- Corner-formed doors
- Simple easy-to-remove and install hinge pins with built-in captivation clip
- High-torque threadless studs and fasteners on door
- Minimum-width body flange provides maximum door opening (210 degrees)
- External formed body flange
- Panel mounting studs fit optional CONCEPT panels and other accessories
- Mounting holes in back of body for optional external wall-mount brackets
- Hidden hinges
- Doors are interchangeable and easily removed by pulling clip-style hinge pins
- Seamless foam-in-place gasket
- Quarter-turn slotted latch(es)
- Door alignment device on doors wider than 30 in.
- Four hinges on 60-in.-high enclosures
- Grounding stud on body; bonding provision on door (except window-door models)
- Provisions for thermoplastic data pocket (right-hand hinged door on two-door models)
- Hardware kit with panel mounting nuts, panel grounding hardware and sealing washers
- Single-door enclosures have a three-point latch system on enclosures where A is equal to or greater than 42-in. with quarter-turn, slotted latch
- Window-door enclosures have a clear polycarbonate window flush with door surface
- Mounting frame on flush-mount enclosures extends completely around enclosure
- Two-door enclosures have a overlapping door design which provides full-width access
- Two door enclosures have a three-point latch system on right-hand hinged door furnished with flush slotted insert
- Illustrated instruction sheet

FINISH

Two standard finishes are available: ANSI 61 gray or RAL 7035 textured light-gray polyester powder paint inside and out.

ACCESSORIES

Door Stop Kit
 Handles
 Lock Inserts
 CONCEPT™ Panels
 Mounting-Bracket Kits
Also see the Popular Cooling Products and Accessories tables following the Standard Product tables

MODIFICATION AND CUSTOMIZATION

Hoffman excels at modifying and customizing products to your specifications. Contact your local Hoffman sales office or distributor for complete information.

BULLETIN: CW1

Standard Product **Single-Door Enclosures**

Catalog Number	AxBxC in./mm	Finish	Door Ga.	Body Ga.	CONCEPT Panel	Conductive CONCEPT Panel	Panel Size D x E in./mm	Mounting G x H in./mm	Latches qty.	Latches style	J in./mm
CSD1212Z6	12.00 x 12.00 x 6.00 305 x 305 x 152	ANSI 61 Gray	16	18	CP1212	CP1212G	10.20 x 10.20 259 x 259	10.50 x 10.50 267 x 267	1	Quarter-turn	6.00 152
CSD12126LG	12.00 x 12.00 x 6.00 305 x 305 x 152	RAL 7035 Lt. Gray	16	18	CP1212	CP1212G	10.20 x 10.20 259 x 259	10.50 x 10.50 267 x 267	1	Quarter-turn	6.00 152
CSD1612Z6	16.00 x 12.00 x 6.00 406 x 305 x 152	ANSI 61 Gray	16	18	CP1612	CP1612G	14.20 x 10.20 361 x 259	14.50 x 10.50 368 x 267	1	Quarter-turn	8.00 203
CSD16126LG	16.00 x 12.00 x 6.00 406 x 305 x 152	RAL 7035 Lt. Gray	16	18	CP1612	CP1612G	14.20 x 10.20 361 x 259	14.50 x 10.50 368 x 267	1	Quarter-turn	8.00 203
CSD1616Z6	16.00 x 16.00 x 6.00 406 x 406 x 152	ANSI 61 Gray	16	18	CP1616	CP1616G	14.20 x 14.20 361 x 361	14.50 x 14.50 368 x 368	1	Quarter-turn	8.00 203
CSD16166LG	16.00 x 16.00 x 6.00 406 x 406 x 152	RAL 7035 Lt. Gray	16	18	CP1616	CP1616G	14.20 x 14.20 361 x 361	14.50 x 14.50 368 x 368	1	Quarter-turn	8.00 203
CSD1620Z6	16.00 x 20.00 x 6.00 406 x 508 x 152	ANSI 61 Gray	16	18	CP2016	CP2016G	18.20 x 14.20 462 x 361	14.50 x 18.50 368 x 470	1	Quarter-turn	8.00 203
CSD16206LG	16.00 x 20.00 x 6.00 406 x 508 x 152	RAL 7035 Lt. Gray	16	18	CP2016	CP2016G	18.20 x 14.20 462 x 361	14.50 x 18.50 368 x 470	1	Quarter-turn	8.00 203
CSD2016Z6	20.00 x 16.00 x 6.00 508 x 406 x 152	ANSI 61 Gray	16	18	CP2016	CP2016G	18.20 x 14.20 462 x 361	18.50 x 14.50 470 x 368	1	Quarter-turn	10.00 254
CSD20166LG	20.00 x 16.00 x 6.00 508 x 406 x 152	RAL 7035 Lt. Gray	16	18	CP2016	CP2016G	18.20 x 14.20 462 x 361	18.50 x 14.50 470 x 368	1	Quarter-turn	10.00 254
CSD2020Z6	20.00 x 20.00 x 6.00 508 x 508 x 152	ANSI 61 Gray	16	18	CP2020	CP2020G	18.20 x 18.20 462 x 462	18.50 x 18.50 470 x 470	1	Quarter-turn	10.00 254
CSD20206LG	20.00 x 20.00 x 6.00 508 x 508 x 152	RAL 7035 Lt. Gray	16	18	CP2020	CP2020G	18.20 x 18.20 462 x 462	18.50 x 18.50 470 x 470	1	Quarter-turn	10.00 254
CSD2416Z6	24.00 x 16.00 x 6.00 610 x 406 x 152	ANSI 61 Gray	16	18	CP2416	CP2416G	22.20 x 14.20 564 x 361	22.50 x 14.50 572 x 368	1	Quarter-turn	12.00 305
CSD24166LG	24.00 x 16.00 x 6.00 610 x 406 x 152	RAL 7035 Lt. Gray	16	18	CP2416	CP2416G	22.20 x 14.20 564 x 361	22.50 x 14.50 572 x 368	1	Quarter-turn	12.00 305
CSD2420Z6	24.00 x 20.00 x 6.00 610 x 508 x 152	ANSI 61 Gray	16	18	CP2420	CP2420G	22.20 x 18.20 564 x 462	22.50 x 18.50 572 x 470	1	Quarter-turn	12.00 305
CSD24206LG	24.00 x 20.00 x 6.00 610 x 508 x 152	RAL 7035 Lt. Gray	16	18	CP2420	CP2420G	22.20 x 18.20 564 x 462	22.50 x 18.50 572 x 470	1	Quarter-turn	12.00 305
CSD2424Z6	24.00 x 24.00 x 6.00 610 x 610 x 152	ANSI 61 Gray	14	16	CP2424	CP2424G	22.20 x 22.20 564 x 564	22.50 x 22.50 572 x 572	2	Quarter-turn	5.00 127
CSD24246LG	24.00 x 24.00 x 6.00 610 x 610 x 152	RAL 7035 Lt. Gray	14	16	CP2424	CP2424G	22.20 x 22.20 564 x 564	22.50 x 22.50 572 x 572	2	Quarter-turn	5.00 127
CSD16128Z6	16.00 x 12.00 x 8.00 406 x 305 x 203	ANSI 61 Gray	16	18	CP1612	CP1612G	14.20 x 10.20 361 x 259	14.50 x 10.50 368 x 267	1	Quarter-turn	8.00 203
CSD16128LG	16.00 x 12.00 x 8.00 406 x 305 x 203	RAL 7035 Lt. Gray	16	18	CP1612	CP1612G	14.20 x 10.20 361 x 259	14.50 x 10.50 368 x 267	1	Quarter-turn	8.00 203
CSD16168Z6	16.00 x 16.00 x 8.00 406 x 406 x 203	ANSI 61 Gray	16	18	CP1616	CP1616G	14.20 x 14.20 361 x 361	14.50 x 14.50 368 x 368	1	Quarter-turn	8.00 203
CSD16168LG	16.00 x 16.00 x 8.00 406 x 406 x 203	RAL 7035 Lt. Gray	16	18	CP1616	CP1616G	14.20 x 14.20 361 x 361	14.50 x 14.50 368 x 368	1	Quarter-turn	8.00 203
CSD16208Z6	16.00 x 20.00 x 8.00 406 x 508 x 203	ANSI 61 Gray	16	18	CP2016	CP2016G	18.20 x 14.20 462 x 361	14.50 x 18.50 368 x 470	1	Quarter-turn	8.00 203
CSD16208LG	16.00 x 20.00 x 8.00 406 x 508 x 203	RAL 7035 Lt. Gray	16	18	CP2016	CP2016G	18.20 x 14.20 462 x 361	14.50 x 18.50 368 x 470	1	Quarter-turn	8.00 203
CSD20168Z6	20.00 x 16.00 x 8.00 508 x 406 x 203	ANSI 61 Gray	16	18	CP2016	CP2016G	18.20 x 14.20 462 x 361	18.50 x 14.50 470 x 368	1	Quarter-turn	10.00 254
CSD20168LG	20.00 x 16.00 x 8.00 508 x 406 x 203	RAL 7035 Lt. Gray	16	18	CP2016	CP2016G	18.20 x 14.20 462 x 361	18.50 x 14.50 470 x 368	1	Quarter-turn	10.00 254
CSD20208Z6	20.00 x 20.00 x 8.00 508 x 508 x 203	ANSI 61 Gray	16	18	CP2020	CP2020G	18.20 x 18.20 462 x 462	18.50 x 18.50 470 x 470	1	Quarter-turn	10.00 254
CSD20208LG	20.00 x 20.00 x 8.00 508 x 508 x 203	RAL 7035 Lt. Gray	16	18	CP2020	CP2020G	18.20 x 18.20 462 x 462	18.50 x 18.50 470 x 470	1	Quarter-turn	10.00 254
CSD20248Z6	20.00 x 24.00 x 8.00 508 x 610 x 203	ANSI 61 Gray	16	18	CP2420	CP2420G	22.20 x 18.20 564 x 462	18.50 x 22.50 470 x 572	1	Quarter-turn	10.00 254
CSD20248LG	20.00 x 24.00 x 8.00 508 x 610 x 203	RAL 7035 Lt. Gray	16	18	CP2420	CP2420G	22.20 x 18.20 564 x 462	18.50 x 22.50 470 x 572	1	Quarter-turn	10.00 254
CSD24168Z6	24.00 x 16.00 x 8.00 610 x 406 x 203	ANSI 61 Gray	16	18	CP2416	CP2416G	22.20 x 14.20 564 x 361	22.50 x 14.50 572 x 368	1	Quarter-turn	12.00 305
CSD24168LG	24.00 x 16.00 x 8.00 610 x 406 x 203	RAL 7035 Lt. Gray	16	18	CP2416	CP2416G	22.20 x 14.20 564 x 361	22.50 x 14.50 572 x 368	1	Quarter-turn	12.00 305
CSD24208Z6	24.00 x 20.00 x 8.00 610 x 508 x 203	ANSI 61 Gray	16	18	CP2420	CP2420G	22.20 x 18.20 564 x 462	22.50 x 18.50 572 x 470	1	Quarter-turn	12.00 305
CSD24208LG	24.00 x 20.00 x 8.00 610 x 508 x 203	RAL 7035 Lt. Gray	16	18	CP2420	CP2420G	22.20 x 18.20 564 x 462	22.50 x 18.50 572 x 470	1	Quarter-turn	12.00 305
CSD24248Z6	24.00 x 24.00 x 8.00 610 x 610 x 203	ANSI 61 Gray	14	16	CP2424	CP2424G	22.20 x 22.20 564 x 564	22.50 x 22.50 572 x 572	2	Quarter-turn	5.00 127
CSD24248LG	24.00 x 24.00 x 8.00 610 x 610 x 203	RAL 7035 Lt. Gray	14	16	CP2424	CP2424G	22.20 x 22.20 564 x 564	22.50 x 22.50 572 x 572	2	Quarter-turn	5.00 127
CSD24308Z6	24.00 x 30.00 x 8.00 610 x 762 x 203	ANSI 61 Gray	14	16	CP3024	CP3024G	28.20 x 22.20 716 x 564	22.50 x 28.50 572 x 724	2	Quarter-turn	5.00 127
CSD24308LG	24.00 x 30.00 x 8.00 610 x 762 x 203	RAL 7035 Lt. Gray	14	16	CP3024	CP3024G	28.20 x 22.20 716 x 564	22.50 x 28.50 572 x 724	2	Quarter-turn	5.00 127



Catalog Number	AxBxC in./mm	Finish	Door Ga.	Body Ga.	CONCEPT Panel	Conductive CONCEPT Panel	Panel Size D x E in./mm	Mounting G x H in./mm	Latches qty.	Latches style	J in./mm
CSD30208	30.00 x 20.00 x 8.00 762 x 508 x 203	ANSI 61 Gray	14	16	CP3020	CP3020G	28.20 x 18.20 716 x 462	28.50 x 18.50 724 x 470	2	Quarter-turn	5.00 127
CSD30208LG	30.00 x 20.00 x 8.00 762 x 508 x 203	RAL 7035 Lt. Gray	14	16	CP3020	CP3020G	28.20 x 18.20 716 x 462	28.50 x 18.50 724 x 470	2	Quarter-turn	5.00 127
CSD30248	30.00 x 24.00 x 8.00 762 x 610 x 203	ANSI 61 Gray	14	14	CP3024	CP3024G	28.20 x 22.20 716 x 564	28.50 x 22.50 724 x 572	2	Quarter-turn	5.00 127
CSD30248LG	30.00 x 24.00 x 8.00 762 x 610 x 203	RAL 7035 Lt. Gray	14	14	CP3024	CP3024G	28.20 x 22.20 716 x 564	28.50 x 22.50 724 x 572	2	Quarter-turn	5.00 127
CSD30308	30.00 x 30.00 x 8.00 762 x 762 x 203	ANSI 61 Gray	14	14	CP3030	CP3030G	28.20 x 28.20 716 x 716	28.50 x 28.50 724 x 724	2	Quarter-turn	5.00 127
CSD30308LG	30.00 x 30.00 x 8.00 762 x 762 x 203	RAL 7035 Lt. Gray	14	14	CP3030	CP3030G	28.20 x 28.20 716 x 716	28.50 x 28.50 724 x 724	2	Quarter-turn	5.00 127
CSD36248	36.00 x 24.00 x 8.00 914 x 610 x 203	ANSI 61 Gray	14	16	CP3624	CP3624G	34.20 x 22.20 869 x 564	34.50 x 22.50 876 x 572	2	Quarter-turn	5.00 127
CSD36248LG	36.00 x 24.00 x 8.00 914 x 610 x 203	RAL 7035 Lt. Gray	14	16	CP3624	CP3624G	34.20 x 22.20 869 x 564	34.50 x 22.50 876 x 572	2	Quarter-turn	5.00 127
CSD36308	36.00 x 30.00 x 8.00 914 x 762 x 203	ANSI 61 Gray	14	14	CP3630	CP3630G	34.20 x 28.20 869 x 716	34.50 x 28.50 876 x 724	2	Quarter-turn	5.00 127
CSD36308LG	36.00 x 30.00 x 8.00 914 x 762 x 203	RAL 7035 Lt. Gray	14	14	CP3630	CP3630G	34.20 x 28.20 869 x 716	34.50 x 28.50 876 x 724	2	Quarter-turn	5.00 127
CSD36368	36.00 x 36.00 x 8.00 914 x 914 x 203	ANSI 61 Gray	14	14	CP3636	CP3636G	34.20 x 34.20 869 x 869	34.50 x 34.50 876 x 876	2	Quarter-turn	5.00 127
CSD36368LG	36.00 x 36.00 x 8.00 914 x 914 x 203	RAL 7035 Lt. Gray	14	14	CP3636	CP3636G	34.20 x 34.20 869 x 869	34.50 x 34.50 876 x 876	2	Quarter-turn	5.00 127
CSD161210	16.00 x 12.00 x 10.00 406 x 305 x 254	ANSI 61 Gray	16	18	CP1612	CP1612G	14.20 x 10.20 361 x 259	14.50 x 10.50 368 x 267	1	Quarter-turn	8.00 203
CSD161210LG	16.00 x 12.00 x 10.00 406 x 305 x 254	ANSI 61 Gray	16	18	CP1612	CP1612G	14.20 x 10.20 361 x 259	14.50 x 10.50 368 x 267	1	Quarter-turn	8.00 203
CSD161610	16.00 x 16.00 x 10.00 406 x 406 x 254	RAL 7035 Lt. Gray	16	18	CP1616	CP1616G	14.20 x 14.20 361 x 361	14.50 x 14.50 368 x 368	1	Quarter-turn	8.00 203
CSD161610LG	16.00 x 16.00 x 10.00 406 x 406 x 254	RAL 7035 Lt. Gray	16	18	CP1616	CP1616G	14.20 x 14.20 361 x 361	14.50 x 14.50 368 x 368	1	Quarter-turn	8.00 203
CSD162010	16.00 x 20.00 x 10.00 406 x 508 x 254	ANSI 61 Gray	16	18	CP2016	CP2016G	18.20 x 14.20 462 x 361	14.50 x 18.50 368 x 470	1	Quarter-turn	8.00 203
CSD162010LG	16.00 x 20.00 x 10.00 406 x 508 x 254	RAL 7035 Lt. Gray	16	18	CP2016	CP2016G	18.20 x 14.20 462 x 361	14.50 x 18.50 368 x 470	1	Quarter-turn	8.00 203
CSD201610	20.00 x 16.00 x 10.00 508 x 406 x 254	ANSI 61 Gray	16	18	CP2016	CP2016G	18.20 x 14.20 462 x 361	18.50 x 14.50 470 x 368	1	Quarter-turn	10.00 254
CSD201610LG	20.00 x 16.00 x 10.00 508 x 406 x 254	RAL 7035 Lt. Gray	16	18	CP2016	CP2016G	18.20 x 14.20 462 x 361	18.50 x 14.50 470 x 368	1	Quarter-turn	10.00 254
CSD202010	20.00 x 20.00 x 10.00 508 x 508 x 254	ANSI 61 Gray	16	18	CP2020	CP2020G	18.20 x 18.20 462 x 462	18.50 x 18.50 470 x 470	1	Quarter-turn	10.00 254
CSD202010LG	20.00 x 20.00 x 10.00 508 x 508 x 254	RAL 7035 Lt. Gray	16	18	CP2020	CP2020G	18.20 x 18.20 462 x 462	18.50 x 18.50 470 x 470	1	Quarter-turn	10.00 254
CSD202410	20.00 x 24.00 x 10.00 508 x 610 x 254	ANSI 61 Gray	16	18	CP2420	CP2420G	22.20 x 18.20 564 x 462	18.50 x 22.50 470 x 572	1	Quarter-turn	10.00 254
CSD202410LG	20.00 x 24.00 x 10.00 508 x 610 x 254	RAL 7035 Lt. Gray	16	18	CP2420	CP2420G	22.20 x 18.20 564 x 462	18.50 x 22.50 470 x 572	1	Quarter-turn	10.00 254
CSD241610	24.00 x 16.00 x 10.00 610 x 406 x 254	ANSI 61 Gray	16	18	CP2416	CP2416G	22.20 x 14.20 564 x 361	22.50 x 14.50 572 x 368	1	Quarter-turn	12.00 305
CSD241610LG	24.00 x 16.00 x 10.00 610 x 406 x 254	RAL 7035 Lt. Gray	16	18	CP2416	CP2416G	22.20 x 14.20 564 x 361	22.50 x 14.50 572 x 368	1	Quarter-turn	12.00 305
CSD242010	24.00 x 20.00 x 10.00 610 x 508 x 254	ANSI 61 Gray	16	18	CP2420	CP2420G	22.20 x 18.20 564 x 462	22.50 x 18.50 572 x 470	1	Quarter-turn	12.00 305
CSD242010LG	24.00 x 20.00 x 10.00 610 x 508 x 254	RAL 7035 Lt. Gray	16	18	CP2420	CP2420G	22.20 x 18.20 564 x 462	22.50 x 18.50 572 x 470	1	Quarter-turn	12.00 305
CSD242410	24.00 x 24.00 x 10.00 610 x 610 x 254	ANSI 61 Gray	14	16	CP2424	CP2424G	22.20 x 22.20 564 x 564	22.50 x 22.50 572 x 572	2	Quarter-turn	5.00 127
CSD242410LG	24.00 x 24.00 x 10.00 610 x 610 x 254	RAL 7035 Lt. Gray	14	16	CP2424	CP2424G	22.20 x 22.20 564 x 564	22.50 x 22.50 572 x 572	2	Quarter-turn	5.00 127
CSD243010	24.00 x 30.00 x 10.00 610 x 762 x 254	ANSI 61 Gray	14	16	CP3024	CP3024G	28.20 x 22.20 716 x 564	22.50 x 28.50 572 x 724	2	Quarter-turn	5.00 127
CSD243010LG	24.00 x 30.00 x 10.00 610 x 762 x 254	RAL 7035 Lt. Gray	14	16	CP3024	CP3024G	28.20 x 22.20 716 x 564	22.50 x 28.50 572 x 724	2	Quarter-turn	5.00 127
CSD302010	30.00 x 20.00 x 10.00 762 x 508 x 254	ANSI 61 Gray	14	16	CP3020	CP3020G	28.20 x 18.20 716 x 462	28.50 x 18.50 724 x 470	2	Quarter-turn	5.00 127
CSD302010LG	30.00 x 20.00 x 10.00 762 x 508 x 254	RAL 7035 Lt. Gray	14	16	CP3020	CP3020G	28.20 x 18.20 716 x 462	28.50 x 18.50 724 x 470	2	Quarter-turn	5.00 127
CSD302410	30.00 x 24.00 x 10.00 762 x 610 x 254	ANSI 61 Gray	14	16	CP3024	CP3024G	28.20 x 22.20 716 x 564	28.50 x 22.50 724 x 572	2	Quarter-turn	5.00 127
CSD302410LG	30.00 x 24.00 x 10.00 762 x 610 x 254	RAL 7035 Lt. Gray	14	16	CP3024	CP3024G	28.20 x 22.20 716 x 564	28.50 x 22.50 724 x 572	2	Quarter-turn	5.00 127
CSD303010	30.00 x 30.00 x 10.00 762 x 762 x 254	ANSI 61 Gray	14	14	CP3030	CP3030G	28.20 x 28.20 716 x 716	28.50 x 28.50 724 x 724	2	Quarter-turn	5.00 127
CSD303010LG	30.00 x 30.00 x 10.00 762 x 762 x 254	RAL 7035 Lt. Gray	14	14	CP3030	CP3030G	28.20 x 28.20 716 x 716	28.50 x 28.50 724 x 724	2	Quarter-turn	5.00 127
CSD362410	36.00 x 24.00 x 10.00 914 x 610 x 254	ANSI 61 Gray	14	16	CP3624	CP3624G	34.20 x 22.20 869 x 564	34.50 x 22.50 876 x 572	2	Quarter-turn	5.00 127

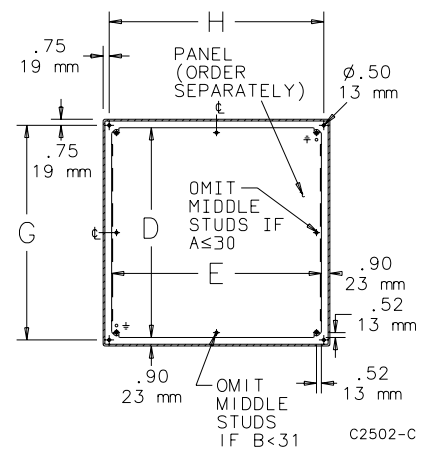
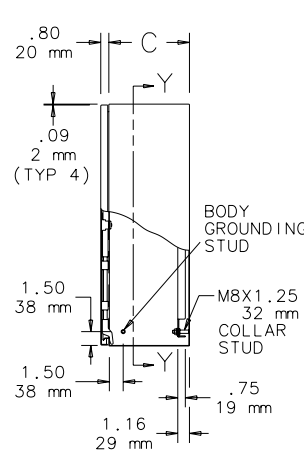
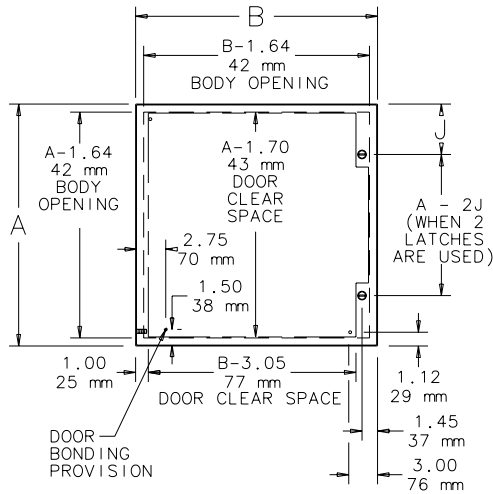


Catalog Number	AxBxC in./mm	Finish	Door Ga.	Body Ga.	CONCEPT Panel	Conductive CONCEPT Panel	Panel Size D x E in./mm	Mounting C x H in./mm	Latches qty.	Latches style	J in./mm
CSD362410LG	36.00 x 24.00 x 10.00 914 x 610 x 254	RAL 7035 Lt. Gray	14	16	CP3624	CP3624G	34.20 x 22.20 869 x 564	34.50 x 22.50 876 x 572	2	Quarter-turn	5.00 127
CSD363010	36.00 x 30.00 x 10.00 914 x 762 x 254	ANSI 61 Gray	14	14	CP3630	CP3630G	34.20 x 28.20 869 x 716	34.50 x 28.50 876 x 724	2	Quarter-turn	5.00 127
CSD363010LG	36.00 x 30.00 x 10.00 914 x 762 x 254	RAL 7035 Lt. Gray	14	14	CP3630	CP3630G	34.20 x 28.20 869 x 716	34.50 x 28.50 876 x 724	2	Quarter-turn	5.00 127
CSD363610	36.00 x 36.00 x 10.00 914 x 914 x 254	ANSI 61 Gray	14	14	CP3636	CP3636G	34.20 x 34.20 869 x 869	34.50 x 34.50 876 x 876	2	Quarter-turn	5.00 127
CSD363610LG	36.00 x 36.00 x 10.00 914 x 914 x 254	RAL 7035 Lt. Gray	14	14	CP3636	CP3636G	34.20 x 34.20 869 x 869	34.50 x 34.50 876 x 876	2	Quarter-turn	5.00 127
CSD423610	42.00 x 36.00 x 10.00 1067 x 914 x 254	ANSI 61 Gray	14	14	CP4236	CP4236G	40.20 x 34.20 1021 x 869	40.50 x 34.50 1029 x 876	1	3-point	21.00 533
CSD423610LG	42.00 x 36.00 x 10.00 1067 x 914 x 254	RAL 7035 Lt. Gray	14	14	CP4236	CP4236G	40.20 x 34.20 1021 x 869	40.50 x 34.50 1029 x 876	1	3-point	21.00 533
CSD482410	48.00 x 24.00 x 10.00 1219 x 610 x 254	ANSI 61 Gray	14	14	CP4824	CP4824G	46.20 x 22.20 1173 x 564	46.50 x 22.50 1181 x 572	1	3-point	24.00 610
CSD482410LG	48.00 x 24.00 x 10.00 1219 x 610 x 254	RAL 7035 Lt. Gray	14	14	CP4824	CP4824G	46.20 x 22.20 1173 x 564	46.50 x 22.50 1181 x 572	1	3-point	24.00 610
CSD483610	48.00 x 36.00 x 10.00 1219 x 914 x 254	ANSI 61 Gray	14	14	CP4836	CP4836G	46.20 x 34.20 1173 x 869	46.50 x 34.50 1181 x 876	1	3-point	24.00 610
CSD483610LG	48.00 x 36.00 x 10.00 1219 x 914 x 254	RAL 7035 Lt. Gray	14	14	CP4836	CP4836G	46.20 x 34.20 1173 x 869	46.50 x 34.50 1181 x 876	1	3-point	24.00 610
CSD603610	60.00 x 36.00 x 10.00 1524 x 914 x 254	ANSI 61 Gray	14	14	CP6036	CP6036G	58.20 x 34.20 1478 x 869	58.50 x 34.50 1486 x 876	1	3-point	30.00 762
CSD603610LG	60.00 x 36.00 x 10.00 1524 x 914 x 254	RAL 7035 Lt. Gray	14	14	CP6036	CP6036G	58.20 x 34.20 1478 x 869	58.50 x 34.50 1486 x 876	1	3-point	30.00 762
CSD202012	20.00 x 20.00 x 12.00 508 x 508 x 305	ANSI 61 Gray	16	16	CP2020	CP2020G	18.20 x 18.20 462 x 462	18.50 x 18.50 470 x 470	1	Quarter-turn	10.00 254
CSD202012LG	20.00 x 20.00 x 12.00 508 x 508 x 305	RAL 7035 Lt. Gray	16	16	CP2020	CP2020G	18.20 x 18.20 462 x 462	18.50 x 18.50 470 x 470	1	Quarter-turn	10.00 254
CSD242012	24.00 x 20.00 x 12.00 610 x 508 x 305	ANSI 61 Gray	16	16	CP2420	CP2420G	22.20 x 18.20 564 x 462	22.50 x 18.50 572 x 470	1	Quarter-turn	12.00 305
CSD242012LG	24.00 x 20.00 x 12.00 610 x 508 x 305	RAL 7035 Lt. Gray	16	16	CP2420	CP2420G	22.20 x 18.20 564 x 462	22.50 x 18.50 572 x 470	1	Quarter-turn	12.00 305
CSD242412	24.00 x 24.00 x 12.00 610 x 610 x 305	ANSI 61 Gray	14	16	CP2424	CP2424G	22.20 x 22.20 564 x 564	22.50 x 22.50 572 x 572	2	Quarter-turn	5.00 127
CSD242412LG	24.00 x 24.00 x 12.00 610 x 610 x 305	RAL 7035 Lt. Gray	14	16	CP2424	CP2424G	22.20 x 22.20 564 x 564	22.50 x 22.50 572 x 572	2	Quarter-turn	5.00 127
CSD302412	30.00 x 24.00 x 12.00 762 x 610 x 305	ANSI 61 Gray	14	16	CP3024	CP3024G	28.20 x 22.20 716 x 564	28.50 x 22.50 724 x 572	2	Quarter-turn	5.00 127
CSD302412LG	30.00 x 24.00 x 12.00 762 x 610 x 305	RAL 7035 Lt. Gray	14	16	CP3024	CP3024G	28.20 x 22.20 716 x 564	28.50 x 22.50 724 x 572	2	Quarter-turn	5.00 127
CSD303012	30.00 x 30.00 x 12.00 762 x 762 x 305	ANSI 61 Gray	14	14	CP3030	CP3030G	28.20 x 28.20 716 x 716	28.50 x 28.50 724 x 724	2	Quarter-turn	5.00 127
CSD303012LG	30.00 x 30.00 x 12.00 762 x 762 x 305	RAL 7035 Lt. Gray	14	14	CP3030	CP3030G	28.20 x 28.20 716 x 716	28.50 x 28.50 724 x 724	2	Quarter-turn	5.00 127
CSD362412	36.00 x 24.00 x 12.00 914 x 610 x 305	ANSI 61 Gray	14	16	CP3624	CP3624G	34.20 x 22.20 869 x 564	34.50 x 22.50 876 x 572	2	Quarter-turn	5.00 127
CSD362412LG	36.00 x 24.00 x 12.00 914 x 610 x 305	RAL 7035 Lt. Gray	14	16	CP3624	CP3624G	34.20 x 22.20 869 x 564	34.50 x 22.50 876 x 572	2	Quarter-turn	5.00 127
CSD363012	36.00 x 30.00 x 12.00 914 x 762 x 305	ANSI 61 Gray	14	14	CP3630	CP3630G	34.20 x 28.20 869 x 716	34.50 x 28.50 876 x 724	2	Quarter-turn	5.00 127
CSD363012LG	36.00 x 30.00 x 12.00 914 x 762 x 305	RAL 7035 Lt. Gray	14	14	CP3630	CP3630G	34.20 x 28.20 869 x 716	34.50 x 28.50 876 x 724	2	Quarter-turn	5.00 127
CSD363612	36.00 x 36.00 x 12.00 914 x 914 x 305	ANSI 61 Gray	14	14	CP3636	CP3636G	34.20 x 34.20 869 x 869	34.50 x 34.50 876 x 876	2	Quarter-turn	5.00 127
CSD363612LG	36.00 x 36.00 x 12.00 914 x 914 x 305	RAL 7035 Lt. Gray	14	14	CP3636	CP3636G	34.20 x 34.20 869 x 869	34.50 x 34.50 876 x 876	2	Quarter-turn	5.00 127
CSD423612	42.00 x 36.00 x 12.00 1067 x 914 x 305	ANSI 61 Gray	14	14	CP4236	CP4236G	40.20 x 34.20 1021 x 869	40.50 x 34.50 1029 x 876	1	3-point	21.00 533
CSD423612LG	42.00 x 36.00 x 12.00 1067 x 914 x 305	RAL 7035 Lt. Gray	14	14	CP4236	CP4236G	40.20 x 34.20 1021 x 869	40.50 x 34.50 1029 x 876	1	3-point	21.00 533
CSD482412	48.00 x 24.00 x 12.00 1219 x 610 x 305	ANSI 61 Gray	14	14	CP4824	CP4824G	46.20 x 22.20 1173 x 564	46.50 x 22.50 1181 x 572	1	3-point	24.00 610
CSD482412LG	48.00 x 24.00 x 12.00 1219 x 610 x 305	RAL 7035 Lt. Gray	14	14	CP4824	CP4824G	46.20 x 22.20 1173 x 564	46.50 x 22.50 1181 x 572	1	3-point	24.00 610
CSD483612	48.00 x 36.00 x 12.00 1219 x 914 x 305	ANSI 61 Gray	14	14	CP4836	CP4836G	46.20 x 34.20 1173 x 869	46.50 x 34.50 1181 x 876	1	3-point	24.00 610
CSD483612LG	48.00 x 36.00 x 12.00 1219 x 914 x 305	RAL 7035 Lt. Gray	14	14	CP4836	CP4836G	46.20 x 34.20 1173 x 869	46.50 x 34.50 1181 x 876	1	3-point	24.00 610
CSD603612	60.00 x 36.00 x 12.00 1524 x 914 x 305	ANSI 61 Gray	14	14	CP6036	CP6036G	58.20 x 34.20 1478 x 869	58.50 x 34.50 1486 x 876	1	3-point	30.00 762
CSD603612LG	60.00 x 36.00 x 12.00 1524 x 914 x 305	RAL 7035 Lt. Gray	14	14	CP6036	CP6036G	58.20 x 34.20 1478 x 869	58.50 x 34.50 1486 x 876	1	3-point	30.00 762
CSD242416	24.00 x 24.00 x 16.00 610 x 610 x 406	ANSI 61 Gray	14	14	CP2424	CP2424G	22.20 x 22.20 564 x 564	22.50 x 22.50 572 x 572	2	Quarter-turn	5.00 127
CSD242416LG	24.00 x 24.00 x 16.00 610 x 610 x 406	RAL 7035 Lt. Gray	14	14	CP2424	CP2424G	22.20 x 22.20 564 x 564	22.50 x 22.50 572 x 572	2	Quarter-turn	5.00 127

Catalog Number	AxBxC in./mm	Finish	Door Ga.	Body Ga.	CONCEPT Panel	Conductive CONCEPT Panel	Panel Size D x E in./mm	Mounting G x H in./mm	Latches qty.	Latches style	J in./mm
CSD363016	36.00 x 30.00 x 16.00 914 x 762 x 406	ANSI 61 Gray	14	14	CP3630	CP3630G	34.20 x 28.20 869 x 716	34.50 x 28.50 876 x 724	2	Quarter-turn	5.00 127
CSD363016LG	36.00 x 30.00 x 16.00 914 x 762 x 406	RAL 7035 Lt. Gray	14	14	CP3630	CP3630G	34.20 x 28.20 869 x 716	34.50 x 28.50 876 x 724	2	Quarter-turn	5.00 127
CSD483616	48.00 x 36.00 x 16.00 1219 x 914 x 406	ANSI 61 Gray	14	14	CP4836	CP4836G	46.20 x 34.20 1173 x 869	46.50 x 34.50 1181 x 876	1	3-point	24.00 610
CSD483616LG	48.00 x 36.00 x 16.00 1219 x 914 x 406	RAL 7035 Lt. Gray	14	14	CP4836	CP4836G	46.20 x 34.20 1173 x 869	46.50 x 34.50 1181 x 876	1	3-point	24.00 610
CSD242420	24.00 x 24.00 x 20.00 610 x 610 x 508	ANSI 61 Gray	14	14	CP2424	CP2424G	22.20 x 22.20 564 x 564	22.50 x 22.50 572 x 572	2	Quarter-turn	5.00 127
CSD242420LG	24.00 x 24.00 x 20.00 610 x 610 x 508	RAL 7035 Lt. Gray	14	14	CP2424	CP2424G	22.20 x 22.20 564 x 564	22.50 x 22.50 572 x 572	2	Quarter-turn	5.00 127
CSD302420	30.00 x 24.00 x 20.00 762 x 610 x 508	ANSI 61 Gray	14	14	CP3024	CP3024G	28.20 x 22.20 716 x 564	28.50 x 22.50 724 x 572	2	Quarter-turn	5.00 127
CSD302420LG	30.00 x 24.00 x 20.00 762 x 610 x 508	RAL 7035 Lt. Gray	14	14	CP3024	CP3024G	28.20 x 22.20 716 x 564	28.50 x 22.50 724 x 572	2	Quarter-turn	5.00 127
CSD363020	36.00 x 30.00 x 20.00 914 x 762 x 508	ANSI 61 Gray	14	14	CP3630	CP3630G	34.20 x 28.20 869 x 716	34.50 x 28.50 876 x 724	2	Quarter-turn	5.00 127
CSD363020LG	36.00 x 30.00 x 20.00 914 x 762 x 508	RAL 7035 Lt. Gray	14	14	CP3630	CP3630G	34.20 x 28.20 869 x 716	34.50 x 28.50 876 x 724	2	Quarter-turn	5.00 127

Purchase panels separately.

Optional NEMA-size panels require conversion kit Catalog Number CCPM4.



SECTION Y-Y
(WITH PANEL INSTALLED)

Standard Product **Single-Door Enclosures with Windows**

Catalog Number	AxBxC in./mm	Finish	Door Ga.	Body Ga.	CONCEPT Panel	CONCEPT Conductive Panel	Panel Size D x E in./mm	Mounting G x H in./mm	Window Size M x N in./mm	Latches qty.	Latches style	J in./mm
CSD12126W	12.00 x 12.00 x 6.00 305 x 305 x 152	ANSI 61 Gray	14	18	CP1212	CP1212G	10.20 x 10.20 259 x 259	10.50 x 10.50 267 x 267	8.49 x 7.30 216 x 185	1	Quarter-turn	6.00 152
CSD12126WLG	12.00 x 12.00 x 6.00 305 x 305 x 152	RAL 7035 Lt. Gray	14	18	CP1212	CP1212G	10.20 x 10.20 259 x 259	10.50 x 10.50 267 x 267	8.49 x 7.30 222 x 180	1	Quarter-turn	6.00 152
CSD16126W	16.00 x 12.00 x 6.00 406 x 305 x 152	ANSI 61 Gray	14	18	CP1612	CP1612G	14.20 x 10.20 361 x 259	14.50 x 10.50 368 x 267	12.49 x 7.30 317 x 185	1	Quarter-turn	8.00 203
CSD16126WLG	16.00 x 12.00 x 6.00 406 x 305 x 152	RAL 7035 Lt. Gray	14	18	CP1612	CP1612G	14.20 x 10.20 361 x 259	14.50 x 10.50 368 x 267	12.49 x 7.30 317 x 185	1	Quarter-turn	8.00 203
CSD20166W	20.00 x 16.00 x 6.00 508 x 406 x 152	ANSI 61 Gray	14	18	CP2016	CP2016G	18.20 x 14.20 462 x 361	18.50 x 14.50 470 x 368	16.49 x 11.30 419 x 287	1	Quarter-turn	10.00 254
CSD20166WLG	20.00 x 16.00 x 6.00 508 x 406 x 152	RAL 7035 Lt. Gray	14	18	CP2016	CP2016G	18.20 x 14.20 462 x 361	18.50 x 14.50 470 x 368	16.49 x 11.30 419 x 287	1	Quarter-turn	10.00 254
CSD20206W	20.00 x 20.00 x 6.00 508 x 508 x 152	ANSI 61 Gray	14	18	CP2020	CP2020G	18.20 x 18.20 462 x 462	18.50 x 18.50 470 x 470	16.49 x 15.30 419 x 389	1	Quarter-turn	10.00 254
CSD20206WLG	20.00 x 20.00 x 6.00 508 x 508 x 152	RAL 7035 Lt. Gray	14	18	CP2020	CP2020G	18.20 x 18.20 462 x 462	18.50 x 18.50 470 x 470	16.49 x 15.30 419 x 389	1	Quarter-turn	10.00 254
CSD24206W	24.00 x 20.00 x 6.00 610 x 508 x 152	ANSI 61 Gray	14	18	CP2420	CP2420G	22.20 x 18.20 564 x 462	22.50 x 18.50 572 x 470	20.49 x 15.30 520 x 389	1	Quarter-turn	12.00 305
CSD24206WLG	24.00 x 20.00 x 6.00 610 x 508 x 152	RAL 7035 Lt. Gray	14	18	CP2420	CP2420G	22.20 x 18.20 564 x 462	22.50 x 18.50 572 x 470	20.49 x 15.30 520 x 389	1	Quarter-turn	12.00 305
CSD24246W	24.00 x 24.00 x 6.00 610 x 610 x 152	ANSI 61 Gray	14	16	CP2424	CP2424G	22.20 x 22.20 564 x 564	22.50 x 22.50 572 x 572	20.49 x 18.07 520 x 459	2	Quarter-turn	5.00 127
CSD24246WLG	24.00 x 24.00 x 6.00 610 x 610 x 152	RAL 7035 Lt. Gray	14	16	CP2424	CP2424G	22.20 x 22.20 564 x 564	22.50 x 22.50 572 x 572	20.49 x 18.07 520 x 459	2	Quarter-turn	5.00 127
CSD16128W	16.00 x 12.00 x 8.00 406 x 305 x 203	ANSI 61 Gray	14	18	CP1612	CP1612G	14.20 x 10.20 361 x 259	14.50 x 10.50 368 x 267	12.49 x 7.30 317 x 185	1	Quarter-turn	8.00 203
CSD16128WLG	16.00 x 12.00 x 8.00 406 x 305 x 203	RAL 7035 Lt. Gray	14	18	CP1612	CP1612G	14.20 x 10.20 361 x 259	14.50 x 10.50 368 x 267	12.49 x 7.30 317 x 185	1	Quarter-turn	8.00 203
CSD20168W	20.00 x 16.00 x 8.00 508 x 406 x 203	ANSI 61 Gray	14	18	CP2016	CP2016	18.20 x 14.20 462 x 361	18.50 x 14.50 470 x 368	16.49 x 11.30 419 x 287	1	Quarter-turn	10.00 254
CSD20168WLG	20.00 x 16.00 x 8.00 508 x 406 x 203	RAL 7035 Lt. Gray	14	18	CP2016	CP2016G	18.20 x 14.20 462 x 361	18.50 x 14.50 470 x 368	16.49 x 11.30 419 x 287	1	Quarter-turn	10.00 254
CSD20208W	20.00 x 20.00 x 8.00 508 x 508 x 203	ANSI 61 Gray	14	18	CP2020	CP2020G	18.20 x 18.20 462 x 462	18.50 x 18.50 470 x 470	16.49 x 15.30 419 x 389	1	Quarter-turn	10.00 254
CSD20208WLG	20.00 x 20.00 x 8.00 508 x 508 x 203	RAL 7035 Lt. Gray	14	18	CP2020	CP2020G	18.20 x 18.20 462 x 462	18.50 x 18.50 470 x 470	16.49 x 15.30 419 x 389	1	Quarter-turn	10.00 254
CSD24208W	24.00 x 20.00 x 8.00 610 x 508 x 203	ANSI 61 Gray	14	18	CP2420	CP2420G	22.20 x 18.20 564 x 462	22.50 x 18.50 572 x 470	20.49 x 15.30 520 x 389	1	Quarter-turn	12.00 305
CSD24208WLG	24.00 x 20.00 x 8.00 610 x 508 x 203	RAL 7035 Lt. Gray	14	18	CP2420	CP2420G	22.20 x 18.20 564 x 462	22.50 x 18.50 572 x 470	20.49 x 15.30 520 x 389	1	Quarter-turn	12.00 305
CSD24248W	24.00 x 24.00 x 8.00 610 x 610 x 203	ANSI 61 Gray	14	16	CP2424	CP2424G	22.20 x 22.20 564 x 564	22.50 x 22.50 572 x 572	20.49 x 18.07 520 x 459	2	Quarter-turn	5.00 127
CSD24248WLG	24.00 x 24.00 x 8.00 610 x 610 x 203	RAL 7035 Lt. Gray	14	16	CP2424	CP2424G	22.20 x 22.20 564 x 564	22.50 x 22.50 572 x 572	20.49 x 18.07 250 x 459	2	Quarter-turn	5.00 127
CSD30248W	30.00 x 24.00 x 8.00 762 x 610 x 203	ANSI 61 Gray	14	16	CP3024	CP3024G	28.20 x 22.20 716 x 564	28.50 x 22.50 724 x 572	26.49 x 18.07 673 x 459	2	Quarter-turn	5.00 127
CSD30248WLG	30.00 x 24.00 x 8.00 762 x 610 x 203	RAL 7035 Lt. Gray	14	16	CP3024	CP3024G	28.20 x 22.20 716 x 564	28.50 x 22.50 724 x 572	26.49 x 18.07 673 x 459	2	Quarter-turn	5.00 127
CSD161210W	16.00 x 12.00 x 10.00 406 x 305 x 254	ANSI 61 Gray	14	18	CP1612	CP1612G	14.20 x 10.20 361 x 259	14.50 x 10.50 368 x 267	12.49 x 7.30 317 x 185	1	Quarter-turn	8.00 203
CSD161210WLG	16.00 x 12.00 x 10.00 406 x 305 x 254	RAL 7035 Lt. Gray	14	18	CP1612	CP1612G	14.20 x 10.20 361 x 259	14.50 x 10.50 368 x 267	12.49 x 7.30 317 x 185	1	Quarter-turn	8.00 203
CSD201610W	20.00 x 16.00 x 10.00 508 x 406 x 254	ANSI 61 Gray	14	18	CP2016	CP2016G	18.20 x 14.20 462 x 361	18.50 x 14.50 470 x 368	16.49 x 11.30 419 x 287	1	Quarter-turn	10.00 254
CSD201610WLG	20.00 x 16.00 x 10.00 508 x 406 x 254	RAL 7035 Lt. Gray	14	18	CP2016	CP2016G	18.20 x 14.20 462 x 361	18.50 x 14.50 470 x 368	16.49 x 11.30 419 x 287	1	Quarter-turn	10.00 254
CSD202010W	20.00 x 20.00 x 10.00 508 x 508 x 254	ANSI 61 Gray	14	18	CP2020	CP2020G	18.20 x 18.20 462 x 462	18.50 x 18.50 470 x 470	16.49 x 15.30 419 x 389	1	Quarter-turn	10.00 254
CSD202010WLG	20.00 x 20.00 x 10.00 508 x 508 x 254	RAL 7035 Lt. Gray	14	18	CP2020	CP2020G	18.20 x 18.20 462 x 462	18.50 x 18.50 470 x 470	16.49 x 15.30 419 x 389	1	Quarter-turn	10.00 254
CSD242010W	24.00 x 20.00 x 10.00 610 x 508 x 254	ANSI 61 Gray	14	18	CP2420	CP2420G	22.20 x 18.20 564 x 462	22.50 x 18.50 572 x 470	20.49 x 15.30 527 x 384	1	Quarter-turn	12.00 305
CSD242010WLG	24.00 x 20.00 x 10.00 610 x 508 x 254	RAL 7035 Lt. Gray	14	18	CP2420	CP2420G	22.20 x 18.20 564 x 462	22.50 x 18.50 572 x 470	20.49 x 15.30 527 x 384	1	Quarter-turn	12.00 305
CSD242410W	24.00 x 24.00 x 10.00 610 x 610 x 254	ANSI 61 Gray	14	16	CP2424	CP2424G	22.20 x 22.20 564 x 564	22.50 x 22.50 572 x 572	20.49 x 18.07 520 x 459	2	Quarter-turn	5.00 127
CSD242410WLG	24.00 x 24.00 x 10.00 610 x 610 x 254	RAL 7035 Lt. Gray	14	16	CP2424	CP2424G	22.20 x 22.20 564 x 564	22.50 x 22.50 572 x 572	20.49 x 18.07 520 x 459	2	Quarter-turn	5.00 127
CSD302410W	30.00 x 24.00 x 10.00 762 x 610 x 254	ANSI 61 Gray	14	16	CP3024	CP3024G	28.20 x 22.20 716 x 564	28.50 x 22.50 724 x 572	26.49 x 18.07 673 x 459	2	Quarter-turn	5.00 127
CSD302410WLG	30.00 x 24.00 x 10.00 762 x 610 x 254	RAL 7035 Lt. Gray	14	16	CP3024	CP3024G	28.20 x 22.20 716 x 564	28.50 x 22.50 724 x 572	26.49 x 18.07 673 x 459	2	Quarter-turn	5.00 127
CSD202012W	20.00 x 20.00 x 12.00 508 x 508 x 305	ANSI 61 Gray	14	16	CP2020	CP2020G	18.20 x 18.20 462 x 462	18.50 x 18.50 470 x 470	16.49 x 15.30 419 x 389	1	Quarter-turn	10.00 254
CSD202012WLG	20.00 x 20.00 x 12.00 508 x 508 x 305	RAL 7035 Lt. Gray	14	16	CP2020	CP2020G	18.20 x 18.20 462 x 462	18.50 x 18.50 470 x 470	16.49 x 15.30 419 x 389	1	Quarter-turn	10.00 254

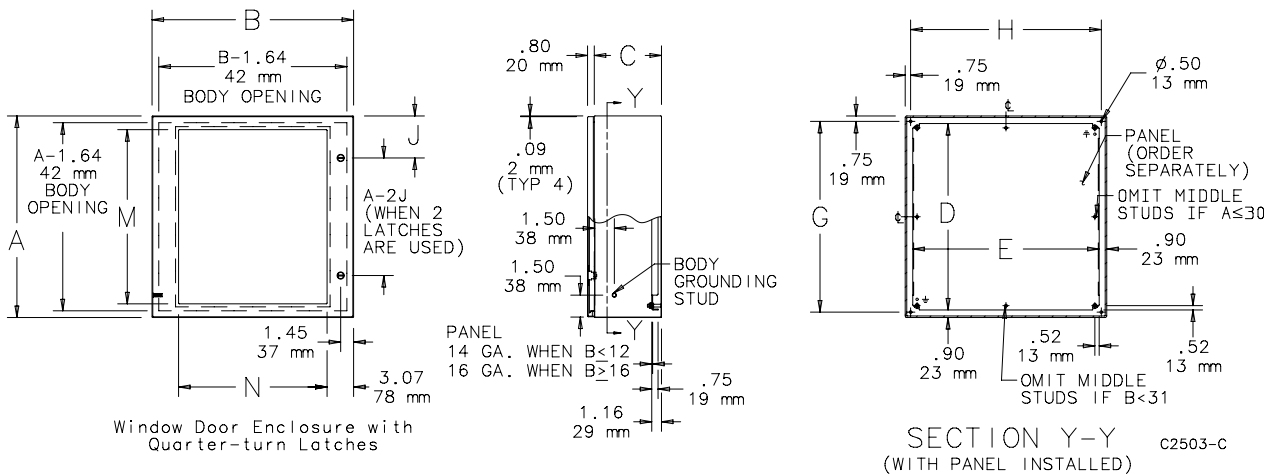


Catalog Number	AxBxC in./mm	Finish	Door Ga.	Body Ga.	CONCEPT Panel	CONCEPT Conductive Panel	Panel Size D x E in./mm	Mounting G x H in./mm	Window Size M x N in./mm	Latches qty.	Latches style	J in./mm
CSD242012W	24.00 x 20.00 x 12.00 610 x 508 x 305	ANSI 61 Gray	14	16	CP2420	CP2420G	22.20 x 18.20 564 x 462	22.50 x 18.50 572 x 470	20.49 x 15.30 520 x 389	1	Quarter-turn	12.00 305
CSD242012WL6	24.00 x 20.00 x 12.00 610 x 508 x 305	RAL 7035 Lt. Gray	14	16	CP2420	CP2420G	22.20 x 18.20 564 x 462	22.50 x 18.50 572 x 470	20.49 x 15.30 520 x 389	1	Quarter-turn	12.00 305
CSD242412W	24.00 x 24.00 x 12.00 610 x 610 x 305	ANSI 61 Gray	14	16	CP2424	CP2424G	22.20 x 22.20 564 x 564	22.50 x 22.50 572 x 572	20.49 x 18.07 520 x 459	2	Quarter-turn	5.00 127
CSD242412WL6	24.00 x 24.00 x 12.00 610 x 610 x 305	RAL 7035 Lt. Gray	14	16	CP2424	CP2424G	22.20 x 22.20 564 x 564	22.50 x 22.50 572 x 572	20.49 x 18.07 527 x 449	2	Quarter-turn	5.00 127
CSD302412W	30.00 x 24.00 x 12.00 762 x 610 x 305	ANSI 61 Gray	14	16	CP3024	CP3024G	28.20 x 22.20 716 x 564	28.50 x 22.50 724 x 572	26.49 x 18.07 673 x 459	2	Quarter-turn	5.00 127
CSD302412WL6	30.00 x 24.00 x 12.00 762 x 610 x 305	RAL 7035 Lt. Gray	14	16	CP3024	CP3024G	28.20 x 22.20 716 x 564	28.50 x 22.50 724 x 572	26.49 x 18.07 679 x 449	2	Quarter-turn	5.00 127
CSD242416W	24.00 x 24.00 x 16.00 610 x 610 x 406	ANSI 61 Gray	14	14	CP2424	CP2424G	22.20 x 22.20 564 x 564	22.50 x 22.50 572 x 572	20.49 x 18.07 520 x 459	2	Quarter-turn	5.00 127
CSD242416WL6	24.00 x 24.00 x 16.00 610 x 610 x 406	RAL 7035 Lt. Gray	14	14	CP2424	CP2424G	22.20 x 22.20 564 x 564	22.50 x 22.50 572 x 572	20.49 x 18.07 520 x 459	2	Quarter-turn	5.00 127
CSD242420W	24.00 x 24.00 x 20.00 610 x 610 x 508	ANSI 61 Gray	14	14	CP2424	CP2424G	22.20 x 22.20 564 x 564	22.50 x 22.50 572 x 572	20.49 x 18.07 520 x 459	2	Quarter-turn	5.00 127
CSD242420WL6	24.00 x 24.00 x 20.00 610 x 610 x 508	RAL 7035 Lt. Gray	14	14	CP2424	CP2424G	22.20 x 22.20 564 x 564	22.50 x 22.50 572 x 572	20.49 x 18.07 520 x 459	2	Quarter-turn	5.00 127
CSD302420W	30.00 x 24.00 x 20.00 762 x 610 x 508	ANSI 61 Gray	14	14	CP3024	CP3024G	28.20 x 22.20 716 x 564	28.50 x 22.50 724 x 572	26.49 x 18.07 673 x 459	2	Quarter-turn	5.00 127
CSD302420WL6	30.00 x 24.00 x 20.00 762 x 610 x 508	RAL 7035 Lt. Gray	14	14	CP3024	CP3024G	28.20 x 22.20 716 x 564	28.50 x 22.50 724 x 572	26.49 x 18.07 673 x 459	2	Quarter-turn	5.00 127

Purchase panels separately.

Optional NEMA-size panels require conversion kit Catalog Number CCPM4.

CONCEPT Single-Door Wall-Mounted Enclosures with Windows

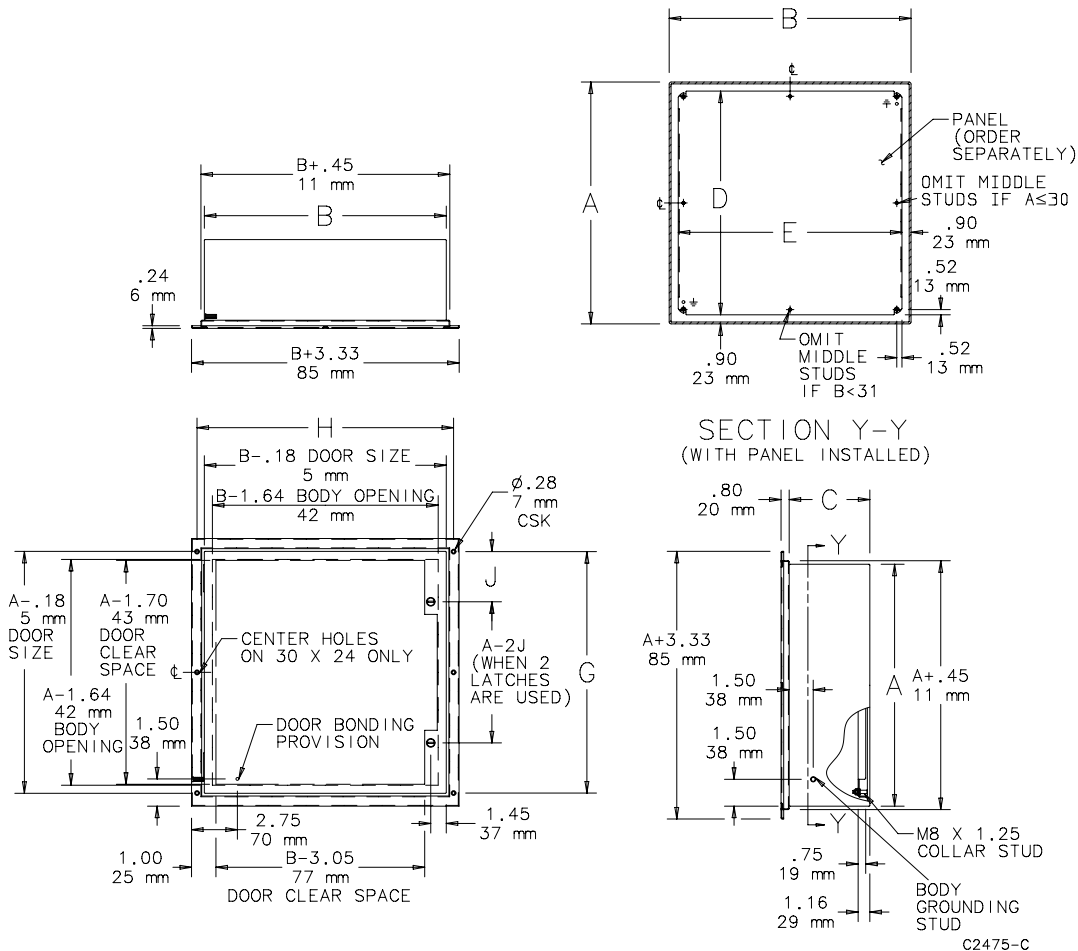


Standard Product **Flush-Mounted Enclosures**

Catalog Number	AxBxC in./mm	Finish	Door Ga.	Body Ga.	CONCEPT Panel	Conductive CONCEPT Panel	Panel Size D x E in./mm	Mounting G x H in./mm	Latches qty.	Latches style	J in./mm
CFM12126	12.00 x 12.00 x 6.00 305 x 305 x 152	ANSI 61 Gray	16	16	CP1212	CP1212G	10.20 x 10.20 259 x 259	12.75 x 14.25 324 x 362	1	Quarter-turn	6.00 152
CFM12126LG	12.00 x 12.00 x 6.00 305 x 305 x 152	RAL 7035 Lt. Gray	16	16	CP1212	CP1212G	10.20 x 10.20 259 x 259	12.75 x 14.25 324 x 362	1	Quarter-turn	6.00 152
CFM16126	16.00 x 12.00 x 6.00 406 x 305 x 152	ANSI 61 Gray	16	16	CP1612	CP1612G	14.20 x 10.20 361 x 259	16.75 x 14.25 425 x 362	1	Quarter-turn	8.00 203
CFM16126LG	16.00 x 12.00 x 6.00 406 x 305 x 152	RAL 7035 Lt. Gray	16	16	CP1612	CP1612G	14.20 x 10.20 361 x 259	16.75 x 14.25 425 x 362	1	Quarter-turn	8.00 203
CFM20166	20.00 x 16.00 x 6.00 508 x 406 x 152	ANSI 61 Gray	16	16	CP2016	CP2016G	18.20 x 14.20 462 x 361	20.75 x 18.25 527 x 463	1	Quarter-turn	10.00 254
CFM20166LG	20.00 x 16.00 x 6.00 508 x 406 x 152	RAL 7035 Lt. Gray	16	16	CP2016	CP2016G	18.20 x 14.20 462 x 361	20.75 x 18.25 527 x 463	1	Quarter-turn	10.00 254
CFM20206	20.00 x 20.00 x 6.00 508 x 508 x 152	ANSI 61 Gray	16	16	CP2020	CP2020G	18.20 x 18.20 462 x 462	20.75 x 22.25 527 x 565	1	Quarter-turn	10.00 254
CFM20206LG	20.00 x 20.00 x 6.00 508 x 508 x 152	RAL 7035 Lt. Gray	16	16	CP2020	CP2020G	18.20 x 18.20 462 x 462	20.75 x 22.25 527 x 565	1	Quarter-turn	10.00 254
CFM24208	24.00 x 20.00 x 8.00 610 x 508 x 203	ANSI 61 Gray	16	16	CP2420	CP2420G	22.20 x 18.20 564 x 462	24.75 x 22.25 629 x 565	1	Quarter-turn	12.00 305
CFM24208LG	24.00 x 20.00 x 8.00 610 x 508 x 203	RAL 7035 Lt. Gray	16	16	CP2420	CP2420G	22.20 x 18.20 564 x 462	24.75 x 22.25 629 x 565	1	Quarter-turn	12.00 305
CFM24248	24.00 x 24.00 x 8.00 610 x 610 x 203	ANSI 61 Gray	14	16	CP2424	CP2424G	22.20 x 22.20 564 x 564	24.75 x 26.25 629 x 667	2	Quarter-turn	5.00 127
CFM24248LG	24.00 x 24.00 x 8.00 610 x 610 x 203	RAL 7035 Lt. Gray	14	16	CP2424	CP2424G	22.20 x 22.20 564 x 564	24.75 x 26.25 629 x 667	2	Quarter-turn	5.00 127
CFM30248	30.00 x 24.00 x 8.00 762 x 610 x 203	ANSI 61 Gray	14	16	CP3024	CP3024G	28.20 x 22.20 716 x 564	30.75 x 26.25 781 x 667	2	Quarter-turn	5.00 127
CFM30248LG	30.00 x 24.00 x 8.00 762 x 610 x 203	RAL 7035 Lt. Gray	14	16	CP3024	CP3024G	28.20 x 22.20 716 x 564	30.75 x 26.25 781 x 667	2	Quarter-turn	5.00 127

Purchase panels separately.

Optional NEMA-size panels require conversion kit Catalog Number CCPM4.

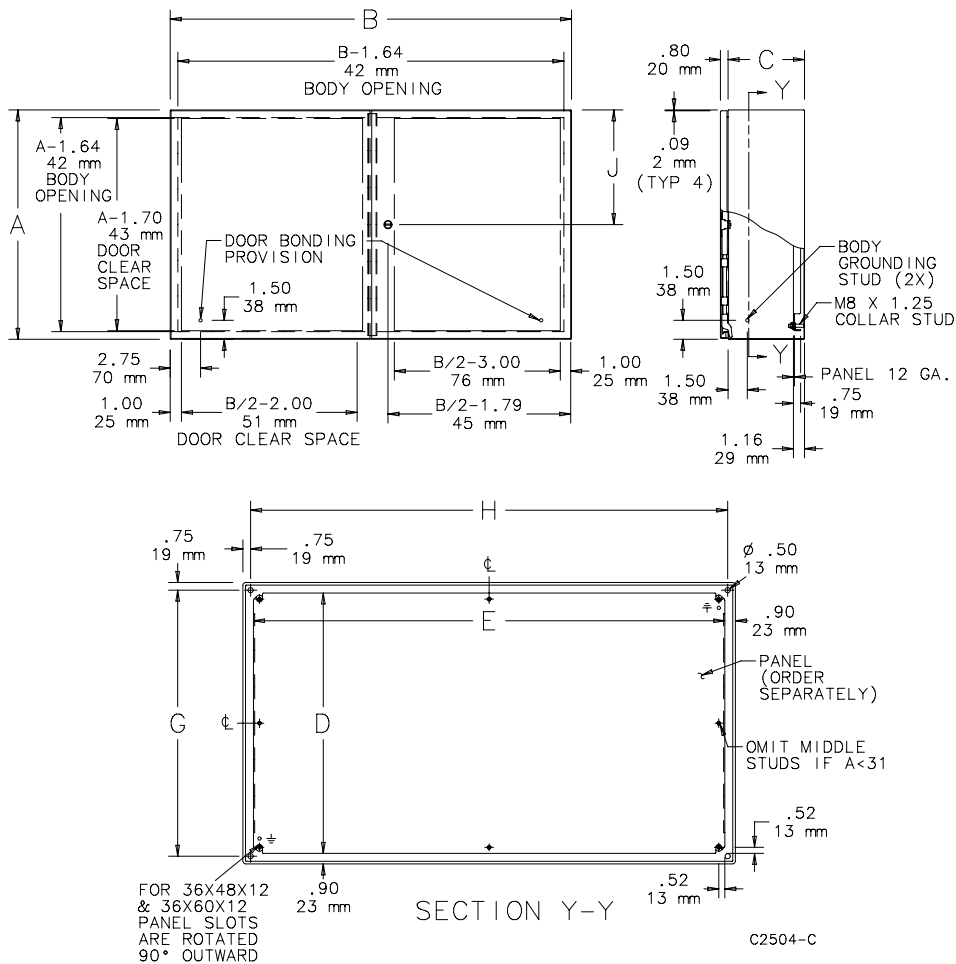


Standard Product **Two-Door Enclosures**

Catalog Number	AxBxC in./mm	Finish	Door Ga.	Body Ga.	CONCEPT Panel	Conductive CONCEPT Panel	Panel Size D x E in./mm	Mounting G x H in./mm	Latches qty.	Latches style	J in./mm
CTD24428	24.00 x 42.00 x 8.00 610 x 1067 x 203	ANSI 61 Gray	14	14	CP2442	CP2442G	22.20 x 40.20 259 x 564	22.50 x 40.50 572 x 1029	1	3-point	12.00 305
CTD24428LG	24.00 x 42.00 x 8.00 610 x 1067 x 203	RAL 7035 Lt. Gray	14	14	CP2442	CP2442G	22.20 x 40.20 259 x 564	22.50 x 40.50 572 x 1029	1	3-point	12.00 305
CTD30488	30.00 x 48.00 x 8.00 762 x 1219 x 203	ANSI 61 Gray	14	14	CP3048	CP3048G	28.20 x 46.20 259 x 716	28.50 x 46.50 724 x 1181	1	3-point	15.00 381
CTD30488LG	30.00 x 48.00 x 8.00 762 x 1219 x 203	RAL 7035 Lt. Gray	14	14	CP3048	CP3048G	28.20 x 46.20 259 x 716	28.50 x 46.50 724 x 1181	1	3-point	15.00 381
CTD306012	30.00 x 60.00 x 12.00 762 x 1524 x 305	ANSI 61 Gray	14	14	CP3060	CP3060G	28.20 x 58.20 361 x 716	28.50 x 58.50 724 x 1486	1	3-point	15.00 381
CTD306012LG	30.00 x 60.00 x 12.00 762 x 1524 x 305	RAL 7035 Lt. Gray	14	14	CP3060	CP3060G	28.20 x 58.20 361 x 716	28.50 x 58.50 724 x 1486	1	3-point	15.00 381
CTD364812	36.00 x 48.00 x 12.00 914 x 1219 x 305	ANSI 61 Gray	14	14	CP4836	CP4836G	34.20 x 46.20 462 x 869	34.50 x 46.50 876 x 1181	1	3-point	18.00 457
CTD364812LG	36.00 x 48.00 x 12.00 914 x 1219 x 305	RAL 7035 Lt. Gray	14	14	CP4836	CP4836G	34.20 x 46.20 462 x 869	34.50 x 46.50 876 x 1181	1	3-point	18.00 457
CTD366012	36.00 x 60.00 x 12.00 914 x 1524 x 305	ANSI 61 Gray	14	14	CP6036	CP6036G	34.20 x 58.20 462 x 869	34.50 x 58.50 876 x 1486	1	3-point	18.00 457
CTD366012LG	36.00 x 60.00 x 12.00 914 x 1524 x 305	RAL 7035 Lt. Gray	14	14	CP6036	CP6036G	34.20 x 58.20 462 x 869	34.50 x 58.50 876 x 1486	1	3-point	18.00 457

Purchase panels separately.

Optional NEMA-size panels require conversion kit Catalog Number CCPM4.



Popular Cooling Products

Enclosure Depth (C Dimension)	Popular Cooling Solutions*
6.00 in. (152 mm)	SF0416414 (Filter Fan) & SG0400404 (Exhaust Grille)
8.00 in. (203mm)	SF0516414 (Filter Fan) & SG0500404 (Exhaust Grille)
10.00 in. (254mm)	SF0916414 (Filter Fan) & SG0900404 (Exhaust Grille)
16.00 in. (406mm)	SF1316414 (Filter Fan) & SG1300404 (Exhaust Grille)
20.00 in. (508mm)	SF1316414 (Filter Fan) & SG1300404 (Exhaust Grille)

* **Important:** Visit tools.hoffmanonline.com/attachments to access our **Cooling Selection Tool** to determine the appropriate cooling solution for your application.

Popular Accessories

Enclosure Width (B Dimension)	Lights	Hole Seals	Window Kits
12.00 in. (305 mm)	LEDA2M35	AS050	APWK53NF
16.00 in. (406mm)	LEDA2M35	AS050	APWK53NF
20.00 in. (508mm)	LED24V15	AS050	APWK53NF
24.00 in. (610mm)	LED24V15	AS050	APWK53NF
30.00 in. (762mm)	LED24V15	AS050	APWK53NF
36.00 in. (914mm)	LED24V15	AS050	APWK53NF



CONCEPT™ EMC, TYPE 4


1

INDUSTRY STANDARDS

Mounting brackets required to meet UL/CSA external mounting requirement.

UL 508A Listed; Type 4, 12; File No. E61997
 cUL Listed per CSA C22.2 No. 94; Type 4, 12; File No. E61997

NEMA/EEMAC Type 4, 12, 13
 CSA, File No. 42186: Type 4, 12
 VDE IP66
 IEC 60529, IP66

APPLICATION

Use stylish CONCEPT™ EMC Enclosures with their convenient quarter-turn latches in indoor or outdoor applications to contain stray electromagnetic interference (EMI) signals produced by internal components and to shield those components from external EMI/RFI interference.

SPECIFICATIONS

- 14, 16 or 18 gauge steel (see table)
- Seams continuously welded and ground smooth
- Minimum width body flange provides maximum door opening
- External formed body flange
- Panel mounting studs fit optional CONCEPT panels and other accessories
- Mounting holes in back of body for direct mounting or for optional external mounting brackets
- Hidden 210-degree hinges
- Removable corner-formed door
- Hinge mounting brackets for wire management or optional accessories
- Stainless steel spring finger EMI/RFI gasket
- Quarter-turn latches
- Body grounding stud
- Door bars provided for wire management and bonding
- Furnished hardware kit consists of panel mounting nuts, grounding hardware and sealing washers
- Simple easy-to-remove and install hinge pins with built-in captivation clip
- High-torque threadless studs and fasteners on door
- Illustrated instruction sheet

FINISH

Exterior and interior painted with RAL 7035 textured light-gray polyester powder paint over plating.

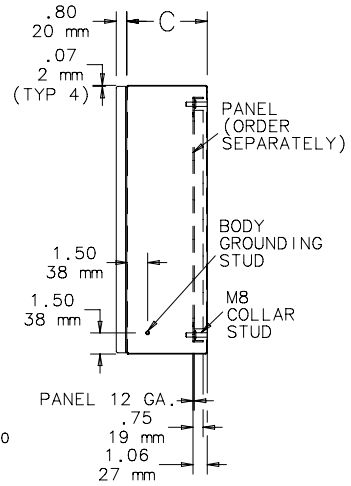
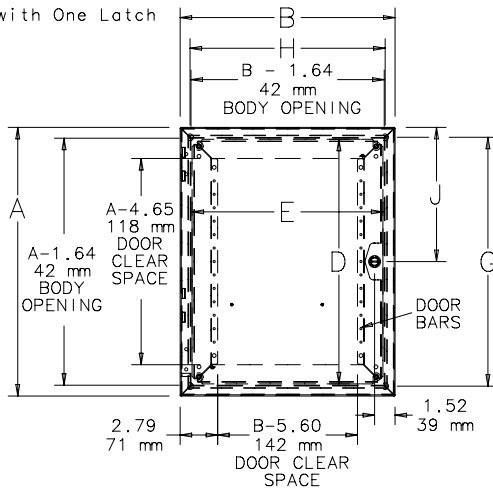
BULLETIN: A53

Standard Product

Catalog Number	AxBxC in./mm	Door Ga.	Body Ga.	CONCEPT Panel	Conductive Panel	Panel Size D x E in./mm	Mounting G x H in./mm	Latches Qty.	J in./mm
CSD12126LGEMC	12.00 x 12.00 x 6.00 305 x 305 x 152	16	18	CP1212	CP1212G	10.20 x 10.20 259 x 259	10.50 x 10.50 267 x 267	1	6.00 152
CSD16126LGEMC	16.00 x 12.00 x 6.00 406 x 305 x 152	16	18	CP1612	CP1612G	14.20 x 10.20 361 x 259	14.50 x 10.50 368 x 267	1	8.00 203
CSD16166LGEMC	16.00 x 16.00 x 6.00 406 x 406 x 152	16	18	CP1616	CP1616G	14.20 x 14.20 361 x 361	14.50 x 14.50 368 x 368	1	8.00 203
CSD16206LGEMC	16.00 x 20.00 x 6.00 406 x 508 x 152	16	18	CP2016	CP2016G	18.20 x 14.20 462 x 361	14.50 x 18.50 368 x 470	1	8.00 203
CSD20166LGEMC	20.00 x 16.00 x 6.00 508 x 406 x 152	16	18	CP2016	CP2016G	18.20 x 14.20 462 x 361	18.50 x 14.50 470 x 368	1	10.00 254
CSD24206LGEMC	24.00 x 20.00 x 6.00 610 x 508 x 152	16	18	CP2420	CP2420G	22.20 x 18.20 564 x 462	22.50 x 18.50 572 x 470	1	12.00 305
CSD24248LGEMC	24.00 x 24.00 x 8.00 610 x 610 x 203	14	16	CP2424	CP2424G	22.20 x 22.20 564 x 564	22.50 x 22.50 572 x 572	2	5.00 127
CSD30248LGEMC	30.00 x 24.00 x 8.00 762 x 610 x 203	14	16	CP3024	CP3024G	28.20 x 22.20 716 x 564	28.50 x 22.50 724 x 572	2	5.00 127
CSD36308LGEMC	36.00 x 30.00 x 8.00 914 x 762 x 203	14	14	CP3630	CP3630G	34.20 x 28.20 869 x 716	34.50 x 28.50 876 x 724	2	5.00 127
CSD242412LGEMC	24.00 x 24.00 x 12.00 610 x 610 x 305	14	16	CP2424	CP2424G	22.20 x 22.20 564 x 564	22.50 x 22.50 572 x 572	2	5.00 127
CSD362412LGEMC	36.00 x 24.00 x 12.00 914 x 610 x 305	14	16	CP3624	CP3624G	34.20 x 22.20 869 x 564	34.50 x 22.50 876 x 572	2	5.00 127

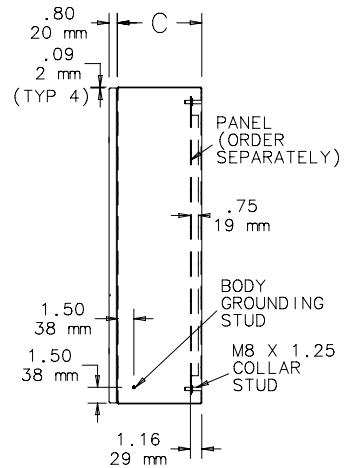
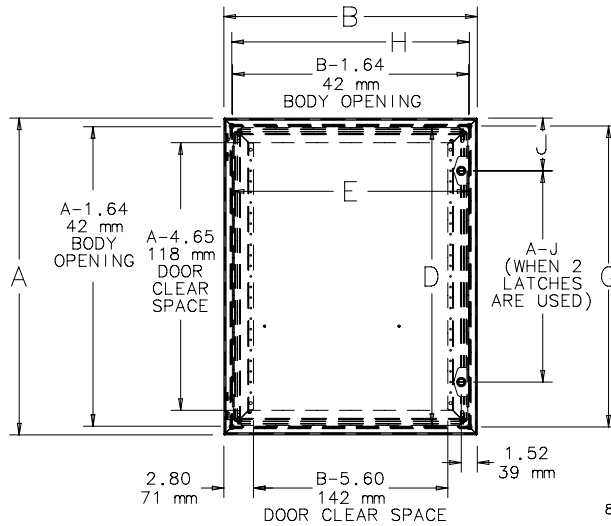
Purchase panels separately.

Enclosures with One Latch

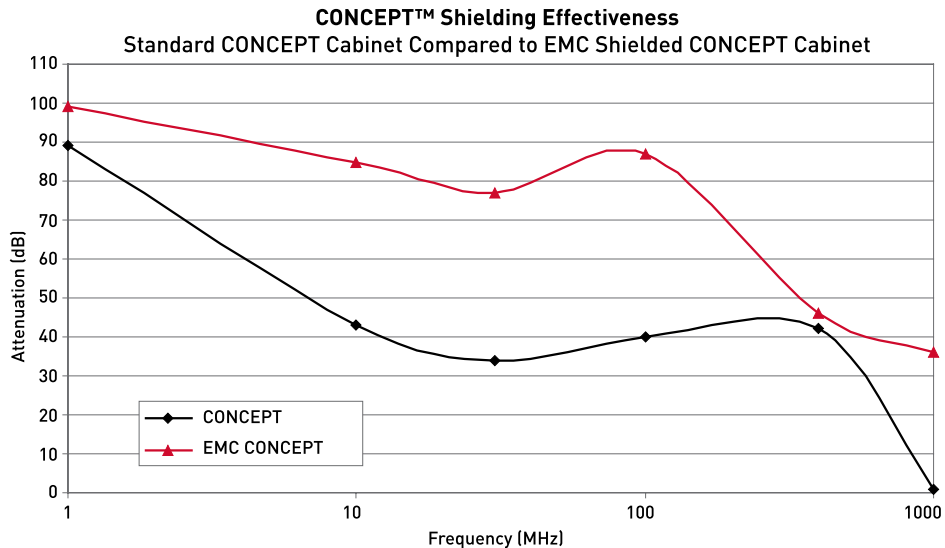


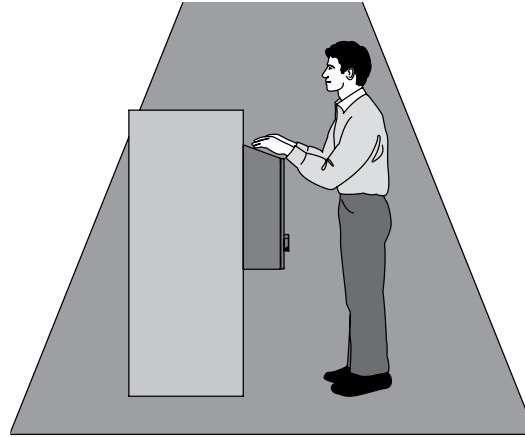
87794690

Enclosures with Two Latches



87745538



CONCEPT™ SLOPED-TOP, TYPE 4


87787081

INDUSTRY STANDARDS

Mounting brackets required to meet UL/CSA external mounting requirement.

UL 508A Listed; Type 4, 12; File No. E61997
 cUL Listed per CSA C22.2 No. 94; Type 4, 12; File No. E61997

NEMA/EEMAC Type 4, 12, 13
 CSA, File No. 42186: Type 4, 12
 VDE IP66
 IEC 60529, IP66

APPLICATION

CONCEPT™ Sloped Top Enclosures support Lean factory principles and are ideal when the miniaturization of controls calls for smaller control cabinets or for applications requiring the mounting of controls at an ergonomic height when attached to equipment.

FEATURES

- 20-degree sloped top

SPECIFICATIONS

- 14 or 16 gauge steel (see table) with continuously welded and ground seams
- Grounding stud on body; bonding provision on door
- Panel-mounting studs
- Corner-formed door
- Simple easy-to-remove and install hinge pins with built-in captivation clip
- High-torque threadless studs and fasteners on door
- Illustrated instruction sheet

- External formed flange
- 210-degree door opening
- Seamless foam-in-place gasket
- Quarter-turn latches
- Mounting holes in back of body for optional external mounting brackets
- Larger sizes support 19-in. rack mounting
- Door alignment device on doors wider than 30-in.

FINISH

RAL 7035 textured light-gray polyester powder paint inside and out

ACCESSORIES

See also *Accessories*.

Door Stop Kit
 Industrial Corrosion Inhibitors
 Handles
 Lock Inserts
 CONCEPT™ Panels
 Mounting-Bracket Kits

MODIFICATION AND CUSTOMIZATION

Hoffman excels at modifying and customizing products to your specifications. Contact your local Hoffman sales office or distributor for complete information.

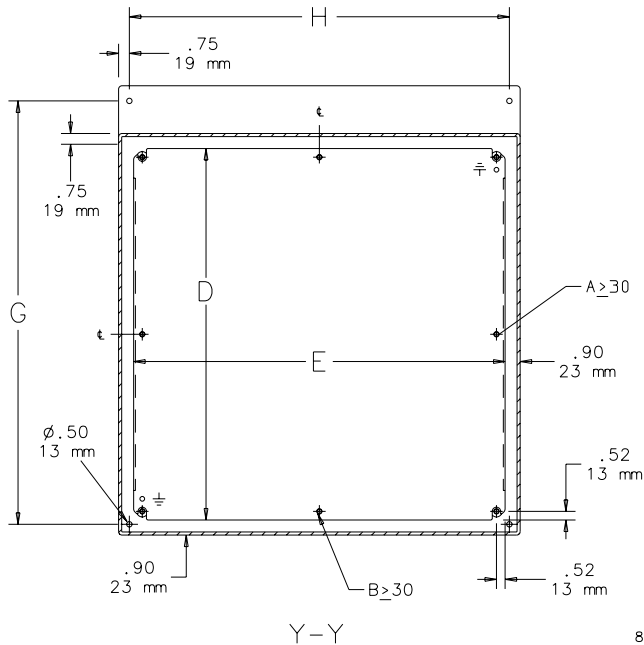
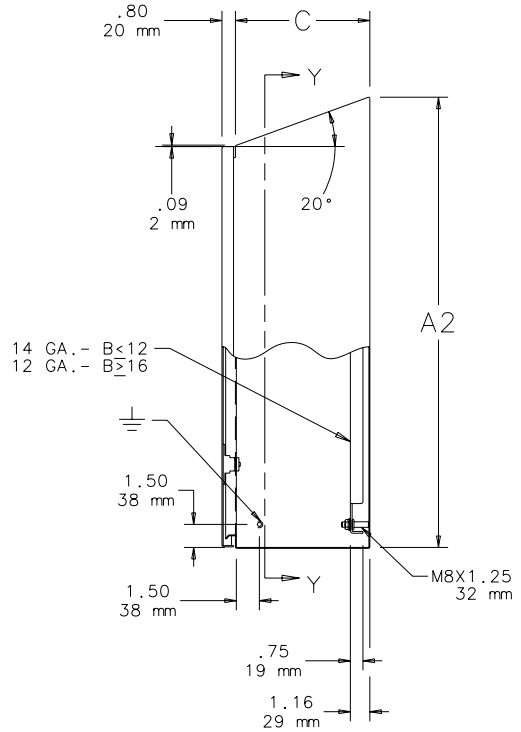
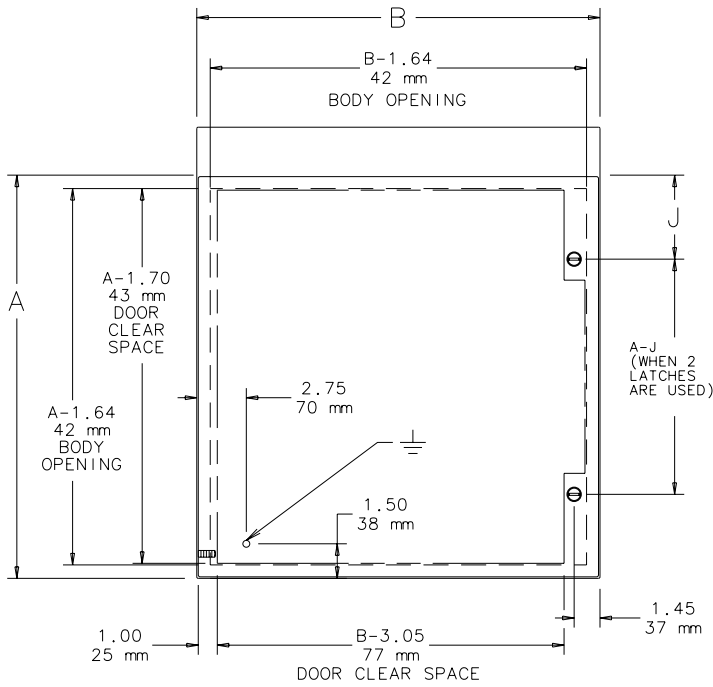
BULLETIN: CW2

Standard Product

Catalog Number	AxBxC in./mm	A2 in./mm	Door Ga.	Body Ga.	Panel	Conductive Panel	Panel Size D in./mm	Panel Size E in./mm	Mounting G x H in./mm	Latch Qty.	Latch style	J in./mm
CSD12126ST	12.00 x 12.00 x 6.00 305 x 305 x 152	14.11 358	16	16	CP1212	CP1212G	10.20 259	10.20 259	12.61 x 10.50 320 x 267	1	Quarter-turn	6.00 152
CSD16168ST	16.00 x 16.00 x 8.00 406 x 406 x 203	18.83 478	16	16	CP1616	CP1616G	14.20 361	14.20 361	17.33 x 14.50 440 x 368	1	Quarter-turn	8.00 203
CSD20168ST	20.00 x 16.00 x 8.00 508 x 406 x 203	22.83 580	16	16	CP2016	CP2016G	18.20 462	14.20 361	21.33 x 14.50 542 x 368	1	Quarter-turn	10.00 254
CSD20208ST	20.00 x 20.00 x 8.00 508 x 508 x 203	22.83 580	16	16	CP2020	CP2020G	18.20 462	18.20 462	21.33 x 18.50 542 x 470	1	Quarter-turn	10.00 254
CSD24208ST	24.00 x 20.00 x 8.00 610 x 508 x 203	26.83 682	16	16	CP2420	CP2420G	22.20 564	18.20 462	25.33 x 18.50 643 x 470	1	Quarter-turn	12.00 305
CSD24248ST	24.00 x 24.00 x 8.00 610 x 610 x 203	26.83 682	14	16	CP2424	CP2424G	22.20 564	22.20 564	25.33 x 22.50 643 x 572	2	Quarter-turn	5.00 127
CSD242410ST	24.00 x 24.00 x 10.00 610 x 610 x 254	27.56 700	14	16	CP2424	CP2424G	22.20 564	22.20 564	26.06 x 22.50 662 x 572	2	Quarter-turn	5.00 127
CSD302410ST	30.00 x 24.00 x 10.00 762 x 610 x 254	33.56 852	14	16	CP3024	CP3024G	28.20 716	22.20 564	32.06 x 22.50 814 x 572	2	Quarter-turn	5.00 127
CSD363010ST	36.00 x 30.00 x 10.00 914 x 762 x 254	39.56 1005	14	14	CP3630	CP3630G	34.20 869	28.20 716	38.06 x 28.50 967 x 724	2	Quarter-turn	5.00 127
CSD242412ST	24.00 x 24.00 x 12.00 610 x 610 x 305	28.29 719	14	16	CP2424	CP2424G	22.20 564	22.20 564	26.79 x 22.50 680 x 572	2	Quarter-turn	5.00 127
CSD302412ST	30.00 x 24.00 x 12.00 762 x 610 x 305	34.29 871	14	16	CP3024	CP3024G	28.20 716	22.20 564	32.79 x 22.50 833 x 572	2	Quarter-turn	5.00 127
CSD363012ST	36.00 x 30.00 x 12.00 914 x 762 x 305	40.29 1023	14	14	CP3630	CP3630G	34.20 869	28.20 716	38.79 x 28.50 985 x 724	2	Quarter-turn	5.00 127

Purchase panels separately.





87786662



Notes



CONTINUOUS HINGE WITH CLAMPS, TYPE 12

INDUSTRY STANDARDS

UL 508A Listed; Type 12, 13; File No. E61997
 cUL Listed per CSA C22.2 No. 94; Type 12, 13; File No. E61997

NEMA/EEMAC Type 12 and 13
 CSA, File No. 42186: Type 12
 IEC 60529, IP65

APPLICATION

For applications requiring a bright white interior to increase control visibility, this enclosure includes a padlocking hasp and staple for security and screw-down clamps for secure closure.

SPECIFICATIONS

- Enclosure bodies are 14 or 16 gauge steel. Doors are 14 gauge steel.
- Seams continuously welded and ground smooth
- External wall-mounting brackets
- Formed external return flanges around all sides of enclosure opening
- Screw-down door clamps
- Removable heavy-gauge continuous hinge pin
- Hasp and staple for padlocking
- Data pocket is high-impact thermoplastic
- Collar studs provided for mounting optional panels
- Bonding provision on door

FINISH

White inside with ANSI 61 gray finish outside.

ACCESSORIES

See also *Accessories*.

Drip Shield Kit for Type 12 Enclosures
 Electric Heater

Fast-Operating Clamp Assembly
 Compact Cooling Fans

Steel and Stainless Steel Window Kits

See also the *Popular Cooling and Accessories tables* following the *Standard Product table*.

MODIFICATION AND CUSTOMIZATION

Hoffman excels at modifying and customizing products to your specifications. Contact your local Hoffman sales office or distributor for complete information.

BULLETIN: A12

Standard Product

Catalog Number	AxBxC in./mm	Body Gauge	Panel	Conductive Panel	Panel Size D x E in./mm	F in./mm	Number of Clamps	Data Pocket
A122406LP	12.00 x 24.00 x 6.00 305 x 610 x 152	16	A12P24	A12P24G	9.00 x 21.00 229 x 533	3.00 76	2	Small
A161206LP	16.00 x 12.00 x 6.00 406 x 305 x 152	16	A16P12	A16P12G	13.00 x 9.00 330 x 229	1.25 32	2	Small
A161606LP	16.00 x 16.00 x 6.00 406 x 406 x 152	16	A16P16	A16P16G	13.00 x 13.00 330 x 330	3.00 76	2	Small
A162006LP	16.00 x 20.00 x 6.00 406 x 508 x 152	16	A20P16	A20P16G	17.00 x 13.00 432 x 330	3.00 76	2	Small
A201206LP	20.00 x 12.00 x 6.00 508 x 305 x 152	16	A20P12	A20P12G	17.00 x 9.00 432 x 229	1.25 32	2	Small
A201606LP	20.00 x 16.00 x 6.00 508 x 406 x 152	16	A20P16	A20P16G	17.00 x 13.00 432 x 330	3.00 76	2	Small
A202006LP	20.00 x 20.00 x 6.00 508 x 508 x 152	16	A20P20	A20P20G	17.00 x 17.00 432 x 432	3.00 76	2	Small
A202406LP	20.00 x 24.00 x 6.00 508 x 610 x 152	16	A24P20	A24P20G	21.00 x 17.00 533 x 432	3.00 76	2	Small
A241206LP	24.00 x 12.00 x 6.00 610 x 305 x 152	16	A12P24	A12P24G	9.00 x 21.00 229 x 533	1.25 32	2	Small
A241606LP	24.00 x 16.00 x 6.00 610 x 406 x 152	16	A24P16	A24P16G	21.00 x 13.00 533 x 330	3.00 76	2	Small
A242006LP	24.00 x 20.00 x 6.00 610 x 508 x 152	16	A24P20	A24P20G	21.00 x 17.00 533 x 432	3.00 76	2	Small
A242406LP	24.00 x 24.00 x 6.00 610 x 610 x 152	16	A24P24	A24P24G	21.00 x 21.00 533 x 533	3.00 76	2	Small
A301606LP	30.00 x 16.00 x 6.00 762 x 406 x 152	14	A30P16	A30P16G	27.00 x 13.00 686 x 330	3.00 76	2	Small
A302006LP	30.00 x 20.00 x 6.00 762 x 508 x 152	14	A30P20	A30P20G	27.00 x 17.00 686 x 432	3.00 76	2	Small
A302406LP	30.00 x 24.00 x 6.00 762 x 610 x 152	14	A30P24	A30P24G	27.00 x 21.00 686 x 533	3.00 76	2	Large
A362406LP	36.00 x 24.00 x 6.00 914 x 610 x 152	14	A36P24	A36P24G	33.00 x 21.00 838 x 533	3.00 76	2	Large
A363006LP	36.00 x 30.00 x 6.00 914 x 762 x 152	14	A36P30	A36P30G	33.00 x 27.00 838 x 686	3.00 76	2	Large
A122408LP	12.00 x 24.00 x 8.00 305 x 610 x 203	16	A12P24	A12P24G	9.00 x 21.00 229 x 533	3.00 76	2	Small
A161208LP	16.00 x 12.00 x 8.00 406 x 305 x 203	16	A16P12	A16P12G	13.00 x 9.00 330 x 229	1.25 32	2	Small
A161608LP	16.00 x 16.00 x 8.00 406 x 406 x 203	16	A16P16	A16P16G	13.00 x 13.00 330 x 330	3.00 76	2	Small

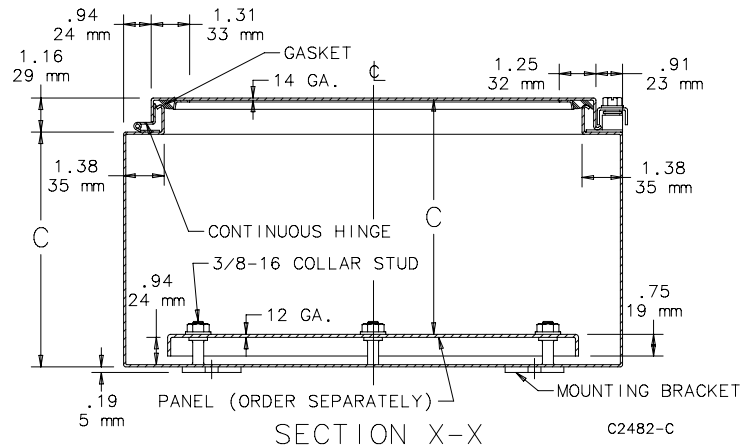
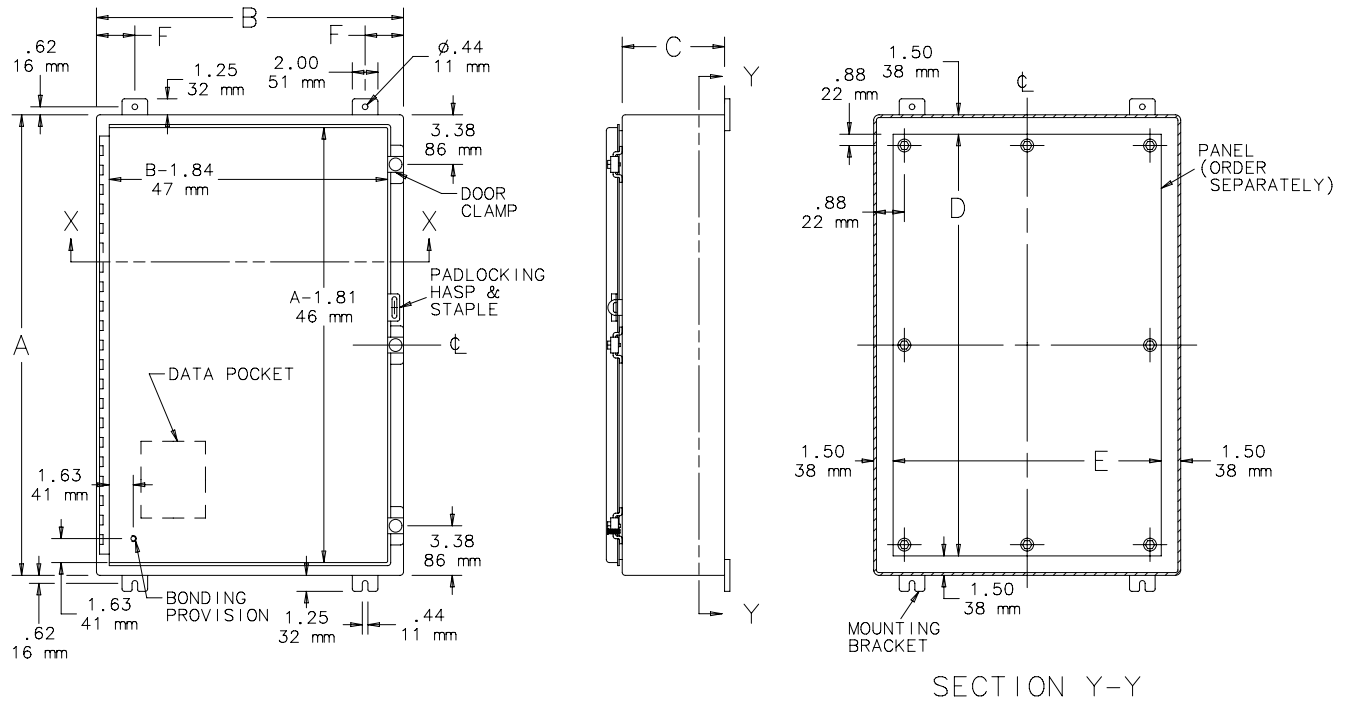
Catalog Number	AxBxC in./mm	Body Gauge	Panel	Conductive Panel	Panel Size D x E in./mm	F in./mm	Number of Clamps	Data Pocket
A162008LP	16.00 x 20.00 x 8.00 406 x 508 x 203	16	A20P16	A20P16G	17.00 x 13.00 432 x 330	3.00 76	2	Small
A201208LP	20.00 x 12.00 x 8.00 508 x 305 x 203	16	A20P12	A20P12G	17.00 x 9.00 432 x 229	1.25 32	2	Small
A201608LP	20.00 x 16.00 x 8.00 508 x 406 x 203	16	A20P16	A20P16G	17.00 x 13.00 432 x 330	3.00 76	2	Small
A202008LP	20.00 x 20.00 x 8.00 508 x 508 x 203	16	A20P20	A20P20G	17.00 x 17.00 432 x 432	3.00 76	2	Small
A202408LP	20.00 x 24.00 x 8.00 508 x 610 x 203	16	A24P20	A24P20G	21.00 x 17.00 533 x 432	3.00 76	2	Small
A241208LP	24.00 x 12.00 x 8.00 610 x 305 x 203	16	A12P24	A12P24G	9.00 x 21.00 229 x 533	1.25 32	2	Small
A241608LP	24.00 x 16.00 x 8.00 610 x 406 x 203	16	A24P16	A24P16G	21.00 x 13.00 533 x 330	3.00 76	2	Small
A242008LP	24.00 x 20.00 x 8.00 610 x 508 x 203	14	A24P20	A24P20G	21.00 x 17.00 533 x 432	3.00 76	2	Small
A242408LP	24.00 x 24.00 x 8.00 610 x 610 x 203	16	A24P24	A24P24G	21.00 x 21.00 533 x 533	3.00 76	2	Small
A243008LP	24.00 x 30.00 x 8.00 610 x 762 x 203	14	A30P24G	A30P24G	27.00 x 21.00 686 x 533	3.00 76	2	Small
A302008LP	30.00 x 20.00 x 8.00 762 x 508 x 203	14	A30P20	A30P20G	27.00 x 17.00 686 x 432	3.00 76	2	Small
A302408LP	30.00 x 24.00 x 8.00 762 x 610 x 203	14	A30P24	A30P24G	27.00 x 21.00 686 x 533	3.00 76	2	Large
A303008LP	30.00 x 30.00 x 8.00 762 x 762 x 203	14	A30P30	A30P30G	27.00 x 27.00 686 x 686	3.00 76	2	Large
A303608LP	30.00 x 36.00 x 8.00 762 x 914 x 203	14	A36P30	A36P30G	33.00 x 27.00 838 x 686	3.00 76	2	Large
A362408LP	36.00 x 24.00 x 8.00 914 x 610 x 203	14	A36P24	A36P24G	33.00 x 21.00 838 x 533	3.00 76	2	Large
A363008LP	36.00 x 30.00 x 8.00 914 x 762 x 203	14	A36P30	A36P30G	33.00 x 27.00 838 x 686	3.00 76	2	Large
A363608LP	36.00 x 36.00 x 8.00 914 x 914 x 203	14	A36P36	A36P36G	33.00 x 33.00 838 x 838	3.00 76	2	Large
A422408LP	42.00 x 24.00 x 8.00 1067 x 610 x 203	14	A42P24	A42P24G	39.00 x 21.00 991 x 533	3.00 76	2	Large
A423008LP	42.00 x 30.00 x 8.00 1067 x 762 x 203	14	A42P30	A42P30G	39.00 x 27.00 991 x 686	3.00 76	2	Small
A423608LP	42.00 x 36.00 x 8.00 1067 x 914 x 203	14	A42P36	A42P36G	39.00 x 33.00 991 x 838	3.00 76	2	Large
A482408LP	48.00 x 24.00 x 8.00 1219 x 610 x 203	14	A48P24	A48P24G	45.00 x 21.00 1143 x 533	3.00 76	3	Large
A483008LP	48.00 x 30.00 x 8.00 1219 x 762 x 203	14	A48P30	A48P30G	45.00 x 27.00 1143 x 686	3.00 76	3	Small
A483608LP	48.00 x 36.00 x 8.00 1219 x 914 x 203	14	A48P36	A48P36G	45.00 x 33.00 1143 x 838	3.00 76	3	Large
A603608LP	60.00 x 36.00 x 8.00 1524 x 914 x 203	14	A60P36	A60P36G	57.00 x 33.00 1448 x 838	3.00 76	3	Large
A161210LP	16.00 x 12.00 x 10.00 406 x 305 x 254	14	A16P12	A16P12G	13.00 x 9.00 330 x 229	1.25 32	2	Small
A201610LP	20.00 x 16.00 x 10.00 508 x 406 x 254	14	A20P16	A20P16G	17.00 x 13.00 432 x 330	3.00 76	2	Small
A202010LP	20.00 x 20.00 x 10.00 508 x 508 x 254	14	A20P20	A20P20G	17.00 x 17.00 432 x 432	3.00 76	2	Small
A241210LP	24.00 x 12.00 x 10.00 610 x 305 x 254	14	A12P24	A12P24G	9.00 x 21.00 229 x 533	1.25 32	2	Small
A242010LP	24.00 x 20.00 x 10.00 610 x 508 x 254	14	A24P20	A24P20G	21.00 x 17.00 533 x 432	3.00 76	2	Small
A242410LP	24.00 x 24.00 x 10.00 610 x 610 x 254	14	A24P24G	A24P24G	21.00 x 21.00 533 x 533	3.00 76	2	Small
A302010LP	30.00 x 20.00 x 10.00 762 x 508 x 254	14	A30P20	A30P20G	27.00 x 17.00 686 x 432	3.00 76	2	Small
A302410LP	30.00 x 24.00 x 10.00 762 x 610 x 254	14	A30P24	A30P24G	27.00 x 21.00 686 x 533	3.00 76	2	Large
A362410LP	36.00 x 24.00 x 10.00 914 x 610 x 254	14	A36P24	A36P24G	33.00 x 21.00 838 x 533	3.00 76	2	Large
A363010LP	36.00 x 30.00 x 10.00 914 x 762 x 254	14	A36P30	A36P30G	33.00 x 27.00 838 x 686	3.00 76	2	Large
A423010LP	42.00 x 30.00 x 10.00 1067 x 762 x 254	14	A42P30	A42P30G	39.00 x 27.00 991 x 686	3.00 76	2	Small
A423610LP	42.00 x 36.00 x 10.00 1067 x 914 x 254	14	A42P36	A42P36G	39.00 x 33.00 991 x 838	3.00 76	2	Large
A483010LP	48.00 x 30.00 x 10.00 1219 x 762 x 254	14	A48P30	A48P30G	45.00 x 27.00 1143 x 686	3.00 76	3	Small
A483610LP	48.00 x 36.00 x 10.00 1219 x 914 x 254	14	A48P36	A48P36G	45.00 x 33.00 1143 x 838	3.00 76	3	Large
A603610LP	60.00 x 36.00 x 10.00 1524 x 914 x 254	14	A60P36	A60P36G	57.00 x 33.00 1448 x 838	3.00 76	3	Large



Catalog Number	AxBxC in./mm	Body Gauge	Panel	Conductive Panel	Panel Size D x E in./mm	F in./mm	Number of Clamps	Data Pocket
A201612LP	20.00 x 16.00 x 12.00 508 x 406 x 305	14	A20P16	A20P16G	17.00 x 13.00 432 x 330	3.00 76	2	Small
A242012LP	24.00 x 20.00 x 12.00 610 x 508 x 305	14	A24P20	A24P20G	21.00 x 17.00 533 x 432	3.00 76	2	Small
A242412LP	24.00 x 24.00 x 12.00 610 x 610 x 305	14	A24P24	A24P24G	21.00 x 21.00 533 x 533	3.00 76	2	Small
A302412LP	30.00 x 24.00 x 12.00 762 x 610 x 305	14	A30P24	A30P24G	27.00 x 21.00 686 x 533	3.00 76	2	Large
A303012LP	30.00 x 30.00 x 12.00 762 x 762 x 305	14	A30P30	A30P30G	27.00 x 27.00 686 x 686	3.00 76	2	Large
A362412LP	36.00 x 24.00 x 12.00 914 x 610 x 305	14	A36P24	A36P24G	33.00 x 21.00 838 x 533	3.00 76	2	Large
A363012LP	36.00 x 30.00 x 12.00 914 x 762 x 305	14	A36P30	A36P30G	33.00 x 27.00 838 x 686	3.00 76	2	Large
A363612LP	36.00 x 36.00 x 12.00 914 x 914 x 305	14	A36P36	A36P36G	33.00 x 33.00 838 x 838	3.00 76	2	Large
A423012LP	42.00 x 30.00 x 12.00 1067 x 762 x 305	14	A42P30	A42P30G	39.00 x 27.00 991 x 686	3.00 76	2	Small
A423612LP	42.00 x 36.00 x 12.00 1067 x 914 x 305	14	A42P36	A42P36G	39.00 x 33.00 991 x 838	3.00 76	2	Large
A483612LP	48.00 x 36.00 x 12.00 1219 x 914 x 305	14	A48P36	A48P36G	45.00 x 33.00 1143 x 838	3.00 76	3	Large
A603612LP	60.00 x 36.00 x 12.00 1524 x 914 x 305	14	A60P36	A60P36G	57.00 x 33.00 1448 x 838	3.00 76	3	Large
A723612LP	72.00 x 36.00 x 12.00 1829 x 914 x 305	14	A72P36	A72P36G	69.00 x 33.00 1753 x 838	3.00 76	3	Large
A242016LP	24.00 x 20.00 x 16.00 610 x 508 x 406	14	A24P20	A24P20G	21.00 x 17.00 533 x 432	3.00 76	2	Small
A242416LP	24.00 x 24.00 x 16.00 610 x 610 x 406	14	A24P24	A24P24G	21.00 x 21.00 533 x 533	3.00 76	2	Small
A302416LP	30.00 x 24.00 x 16.00 762 x 610 x 406	14	A30P24	A30P24G	27.00 x 21.00 686 x 533	3.00 76	2	Large
A363016LP	36.00 x 30.00 x 16.00 914 x 762 x 406	14	A36P30	A36P30G	33.00 x 27.00 838 x 686	3.00 76	2	Large
A423616LP	42.00 x 36.00 x 16.00 1067 x 914 x 406	14	A42P36	A42P36G	39.00 x 33.00 991 x 838	3.00 76	2	Large
A483616LP	48.00 x 36.00 x 16.00 1219 x 914 x 406	14	A48P36	A48P36G	45.00 x 33.00 1143 x 838	3.00 76	3	Large
A603616LP	60.00 x 36.00 x 16.00 1524 x 914 x 406	14	A60P36	A60P36G	57.00 x 33.00 1448 x 838	3.00 76	3	Large
A302420LP	30.00 x 24.00 x 20.00 762 x 610 x 508	14	A30P24	A30P24G	27.00 x 21.00 686 x 533	3.00 76	2	Large
A363020LP	36.00 x 30.00 x 20.00 914 x 762 x 508	14	A36P30	A36P30G	33.00 x 27.00 838 x 686	3.00 76	2	Large
A483620LP	48.00 x 36.00 x 20.00 1219 x 914 x 508	14	A48P36	A48P36G	45.00 x 33.00 1143 x 838	3.00 76	3	Large
A603620LP	60.00 x 36.00 x 20.00 1524 x 914 x 508	14	A60P36	A60P36G	57.00 x 33.00 1448 x 838	3.00 76	3	Large
A302424LP	30.00 x 24.00 x 24.00 762 x 610 x 610	14	A30P24	A30P24G	27.00 x 21.00 686 x 533	3.00 76	2	Large

Purchase panels separately. Optional stainless steel, conductive, composite and aluminum panels are available for most sizes.

Small Data Pocket is 6.00 in. x 6.00 in. Large Data Pocket is 12.00 in. x 12.00 in.



Popular Cooling Products

Enclosure Depth (C Dimension)	Filter Fans*
6 in. (152 mm)	SF0416414
8 in. (203 mm)	SF0516414
10 in. (254 mm)	SF0916414
12 in. (305 mm)	SF1016414
16 in. (406 mm)	SF1316414
20 in. (508 mm)	SF1316414
24 in. (610 mm)	SF1316414

*Important: Visit tools.hoffmanonline.com/attachments to access our **Cooling Selection Tool** to determine the appropriate cooling solution for your application.

Popular Accessories

Enclosure Width (B Dimension)	Light	Hole Seals	Window Kits
12 in. (305 mm)	LEDPUCK	AS050	APWK53NF
16 in. (406 mm)	LEDA2M35	AS050	APWK53NF
20 in. (508 mm)	LED24V15	AS050	APWK53NF
24 in. (610 mm)	LED24V15	AS050	APWK53NF
30 in. (762 mm)	LED24V15	AS050	APWK53NF
36 in. (914 mm)	LED24V15	AS050	APWK53NF

CONTINUOUS HINGE TWO-DOOR WITH HANDLE, TYPE 12

SPECIFICATIONS

- 14 gauge steel
- Seams continuously welded and ground smooth
- External wall-mounting brackets
- Formed external flange around all sides of enclosure door opening
- Gasketed overlapping doors eliminate need for center post
- 3-point latch mechanism operated by oil-tight key-locking handle
- Latch rod rollers for easy door closing
- Removable heavy gauge continuous hinge pin
- Data pocket is high-impact thermoplastic
- Collar studs provided for mounting optional panels
- Bonding provision on both doors

FINISH

White inside with ANSI 61 gray outside finish

ACCESSORIES
See also Accessories.

Door Stop Kit
 Compact Cooling Fans
 Incandescent Light Package
 Steel and Stainless Steel Window Kits

MODIFICATION AND CUSTOMIZATION

Hoffman excels at modifying and customizing products to your specifications. Contact your local Hoffman sales office or distributor for complete information.

BULLETIN: A12
INDUSTRY STANDARDS

UL 508A Listed; Type 12; File No. E61997
 cUL Listed per CSA C22.2 No. 94; Type 12; File No. E61997

NEMA/EEMAC Type 12
 CSA, File No. 42186: Type 12
 IEC 60529, IP55

APPLICATION

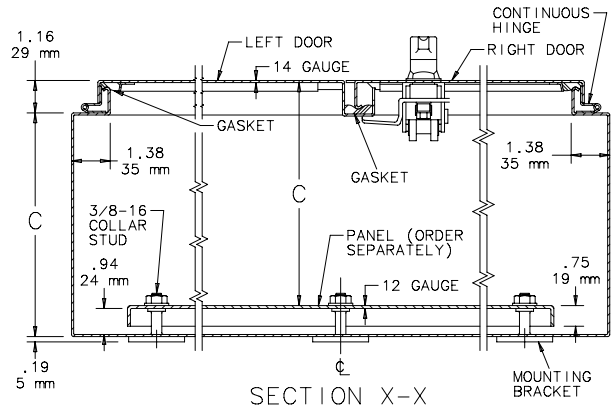
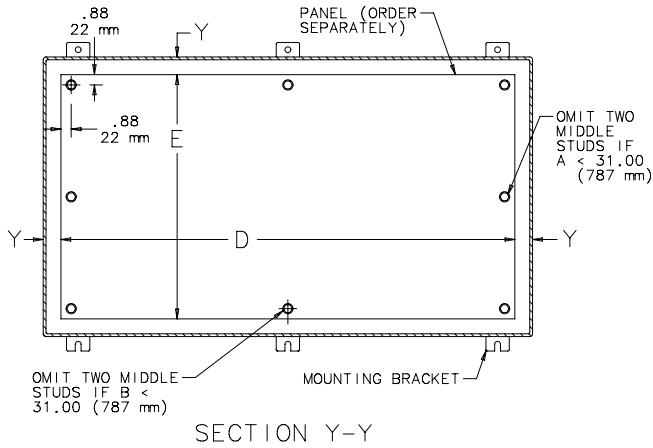
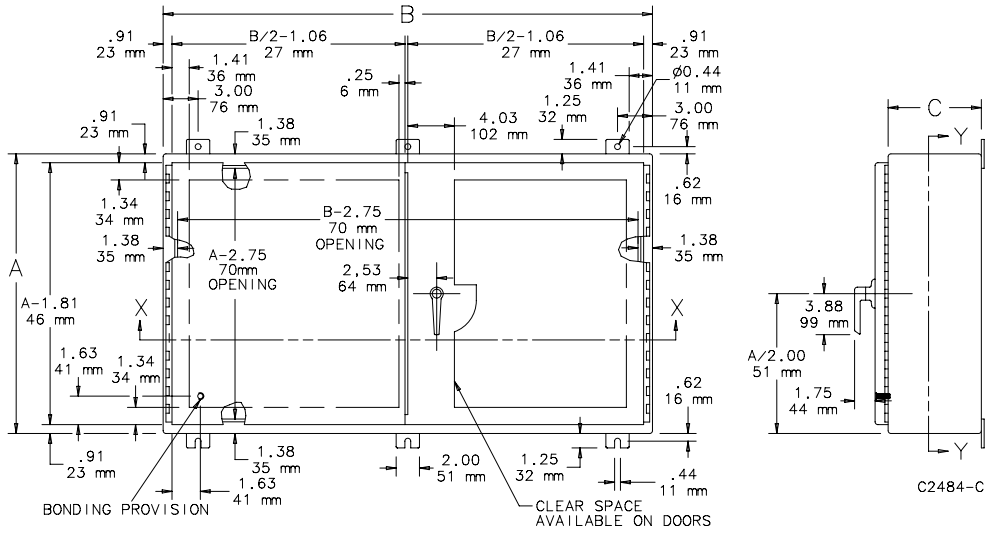
Ideal for larger wall-mount applications requiring ease of installation and access to full-width internal panel. Overlapping door design allows easy access in areas with minimal aisle space.

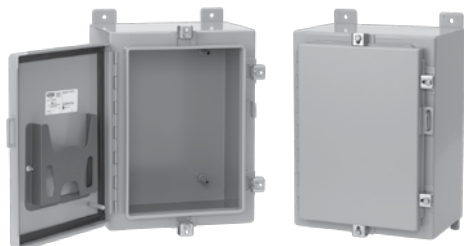
Standard Product

Catalog Number	AxBxC in./mm	Panel	Conductive Panel	Panel Gauge	Panel Size D x E in./mm	Y in./mm	Stiffener (Body)
A244208WFLP	24.00 x 42.00 x 8.00 610 x 1067 x 203	A42P24	A42P24G	12	39.00 x 21.00 991 x 533	1.50 38	0
A244808WFLP	24.00 x 48.00 x 8.00 610 x 1219 x 203	A48P24	A48P24G	12	45.00 x 21.00 1143 x 533	1.50 38	0
A304210WFLP	30.00 x 42.00 x 10.00 762 x 1067 x 254	A42P30	A42P30G	12	39.00 x 27.00 991 x 686	1.50 38	0
A304810WFLP	30.00 x 48.00 x 10.00 762 x 1219 x 254	A48P30	A48P30G	12	45.00 x 27.00 1143 x 686	1.50 38	0
A306010WFLP	30.00 x 60.00 x 10.00 762 x 1524 x 254	A60P30	A60P30G	12	57.00 x 27.00 1448 x 686	1.50 38	0
A364212WFLP	36.00 x 42.00 x 12.00 914 x 1067 x 305	A42P36	A42P36G	12	39.00 x 33.00 991 x 838	1.50 38	0
A364812WFLP	36.00 x 48.00 x 12.00 914 x 1219 x 305	A48P36	A48P36G	12	45.00 x 33.00 1143 x 838	1.50 38	0
A366012WFLP	36.00 x 60.00 x 12.00 914 x 1524 x 305	A60P36	A60P36G	12	57.00 x 33.00 1448 x 838	1.50 38	0
A424212WFLP	42.00 x 42.00 x 12.00 1067 x 1067 x 305	A42P42	A42P42G	12	39.00 x 39.00 991 x 991	1.50 38	3
A424812WFLP	42.00 x 48.00 x 12.00 1067 x 1219 x 305	A48P42	A48P42G	12	45.00 x 39.00 1143 x 991	1.50 38	3
A426012WFALP	42.00 x 60.00 x 12.00 1067 x 1524 x 305	A60BFP42	A60BFP42G	10	56.00 x 38.00 1422 x 965	2.00 51	1
A484812WFLP	48.00 x 48.00 x 12.00 1219 x 1219 x 305	A48P48	A48P48G	10	44.00 x 44.00 1118 x 1118	2.00 51	0

Purchase panels separately. Optional stainless steel, conductive, composite and aluminum panels are available for most sizes.

A484812WFLP back is 10 gauge.



CONTINUOUS HINGE WITH CLAMPS, TYPE 4


- External wall-mounting brackets
- Formed external flanges around all sides of enclosure opening
- Stainless steel door clamps on three sides of door
- Removable heavy gauge stainless steel continuous hinge pin
- Hasp and staple provided for padlocking
- Data pocket is high-impact thermoplastic
- Collar studs provided for mounting optional panels
- Bonding provision on door

FINISH

ANSI 61 gray polyester powder paint inside and out

ACCESSORIES

 See also *Accessories*.

Industrial Corrosion Inhibitors

Fast-Operating Clamp Assembly

Incandescent Light Package

Compact Cooling Fans

Steel and Stainless Steel Window Kits

 See also the *Popular Accessories* table following the *Standard Products* table.

MODIFICATION AND CUSTOMIZATION

Hoffman excels at modifying and customizing products to your specifications. Contact your local Hoffman sales office or distributor for complete information.

BULLETIN: A4
INDUSTRY STANDARDS

 UL 508A Listed; Type 4, 12, 13; File No. E61997
 cUL Listed per CSA C22.2 No. 94; Type 4, 12, 13; File No. E61997

NEMA/EEMAC Type 3, 4, 12, and 13

CSA, File No. 42186: Type 4 and 12

IEC 60529, IP66

APPLICATION

These single-door enclosures feature a hinged door with clamps on three sides to create a secure seal in indoor or outdoor environments. The gray polyester powder finish inside and out provides enhanced corrosion protection in outdoor applications.

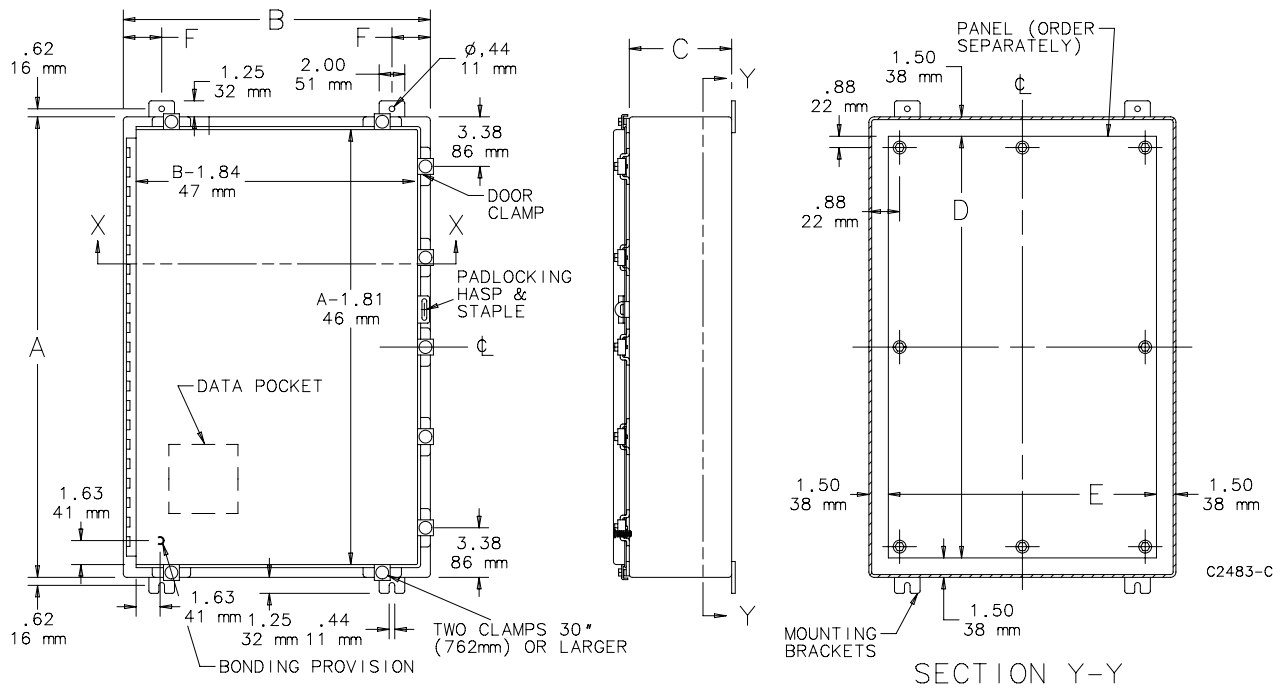
SPECIFICATIONS

- 16 or 14 gauge steel (see table)
- Seams continuously welded and ground smooth

Standard Product

Catalog Number	AxBxC in.	AxBxC mm	Body Gauge	Panel	Conductive Panel	Panel Size D x E (in.)	Panel Size D x E (mm)	F (in.)	F (mm)	Number of Clamps	Data Pocket
A16H12ALP	16.00 x 12.00 x 6.00	406 x 305 x 152	16	A16P12	A16P12G	13.00 x 9.00	330 x 229	1.25	32	4	Small
A16H16ALP	16.00 x 16.00 x 6.00	406 x 406 x 152	16	A16P16	A16P16G	13.00 x 13.00	330 x 330	3.00	76	4	Small
A16H20ALP	16.00 x 20.00 x 6.00	406 x 508 x 152	16	A20P16	A20P16G	17.00 x 13.00	432 x 330	3.00	76	4	Small
A20H16ALP	20.00 x 16.00 x 6.00	508 x 406 x 152	16	A20P16	A20P16G	17.00 x 13.00	432 x 330	3.00	76	4	Small
A20H20ALP	20.00 x 20.00 x 6.00	508 x 508 x 152	16	A20P20	A20P20G	17.00 x 17.00	432 x 432	3.00	76	4	Small
A24H12ALP	24.00 x 12.00 x 6.00	610 x 305 x 152	16	A12P24	A12P24G	9.00 x 21.00	229 x 533	1.25	32	5	Small
A24H16ALP	24.00 x 16.00 x 6.00	610 x 406 x 152	16	A24P16	A24P16G	21.00 x 13.00	533 x 330	3.00	76	5	Small
A24H20ALP	24.00 x 20.00 x 6.00	610 x 508 x 152	16	A24P20	A24P20G	21.00 x 17.00	533 x 432	3.00	76	5	Small
A24H24ALP	24.00 x 24.00 x 6.00	610 x 610 x 152	16	A24P24	A24P24G	21.00 x 21.00	533 x 533	3.00	76	5	Small
A30H20ALP	30.00 x 20.00 x 6.00	762 x 508 x 152	14	A30P20	A30P20G	27.00 x 17.00	686 x 432	3.00	76	5	Small
A30H24ALP	30.00 x 24.00 x 6.00	762 x 610 x 152	14	A30P24	A30P24G	27.00 x 21.00	686 x 533	3.00	76	5	Large
A36H24ALP	36.00 x 24.00 x 6.00	914 x 610 x 152	14	A36P24	A36P24G	33.00 x 21.00	838 x 533	3.00	76	5	Large
A16H12BLP	16.00 x 12.00 x 8.00	406 x 305 x 203	16	A16P12	A16P12G	13.00 x 9.00	330 x 229	1.25	32	4	Small
A20H16BLP	20.00 x 16.00 x 8.00	508 x 406 x 203	16	A20P16	A20P16G	17.00 x 13.00	432 x 330	3.00	76	4	Small
A20H20BLP	20.00 x 20.00 x 8.00	508 x 508 x 203	16	A20P20	A20P20G	17.00 x 17.00	432 x 432	3.00	76	4	Small
A20H24BLP	20.00 x 24.00 x 8.00	508 x 610 x 203	16	A24P20	A24P20G	21.00 x 17.00	533 x 432	3.00	76	4	Small
A24H20BLP	24.00 x 20.00 x 8.00	610 x 508 x 203	16	A24P20	A24P20G	21.00 x 17.00	533 x 432	3.00	76	5	Small
A24H24BLP	24.00 x 24.00 x 8.00	610 x 610 x 203	16	A24P24	A24P24G	21.00 x 21.00	533 x 533	3.00	76	5	Small
A24H30BLP	24.00 x 30.00 x 8.00	610 x 762 x 203	14	A30P24	A30P24G	27.00 x 21.00	686 x 533	3.00	76	7	Small
A30H20BLP	30.00 x 20.00 x 8.00	762 x 508 x 203	14	A30P20	A30P20G	27.00 x 17.00	686 x 432	3.00	76	5	Small
A30H24BLP	30.00 x 24.00 x 8.00	762 x 610 x 203	14	A30P24	A30P24G	27.00 x 21.00	686 x 533	3.00	76	5	Large
A30H30BLP	30.00 x 30.00 x 8.00	762 x 762 x 203	14	A30P30	A30P30G	27.00 x 27.00	686 x 686	3.00	76	7	Large
A36H24BLP	36.00 x 24.00 x 8.00	914 x 610 x 203	14	A36P24	A36P24G	33.00 x 21.00	838 x 533	3.00	76	5	Large
A36H30BLP	36.00 x 30.00 x 8.00	914 x 762 x 203	14	A36P30	A36P30G	33.00 x 27.00	838 x 686	3.00	76	7	Large
A42H30BLP	42.00 x 30.00 x 8.00	1067 x 762 x 203	14	A42P30	A42P30G	39.00 x 27.00	991 x 686	3.00	76	8	Small
A42H36BLP	42.00 x 36.00 x 8.00	1067 x 914 x 203	14	A42P36	A42P36G	39.00 x 33.00	991 x 838	3.00	76	8	Large
A48H36BLP	48.00 x 36.00 x 8.00	1219 x 914 x 203	14	A48P36	A48P36G	45.00 x 33.00	1143 x 838	3.00	76	8	Large
A60H36BLP	60.00 x 36.00 x 8.00	1524 x 914 x 203	14	A60P36	A60P36G	57.00 x 33.00	1448 x 838	3.00	76	9	Large
A20H16CLP	20.00 x 16.00 x 10.00	508 x 406 x 254	14	A20P16	A20P16G	17.00 x 13.00	432 x 330	3.00	76	4	Small
A24H20CLP	24.00 x 20.00 x 10.00	610 x 508 x 254	14	A24P20	A24P20G	21.00 x 17.00	533 x 432	3.00	76	5	Small
A30H24CLP	30.00 x 24.00 x 10.00	762 x 610 x 254	14	A30P24	A30P24G	27.00 x 21.00	686 x 533	3.00	76	5	Large
A36H30CLP	36.00 x 30.00 x 10.00	914 x 762 x 254	14	A36P30	A36P30G	33.00 x 27.00	838 x 686	3.00	76	7	Large
A48H30CLP	48.00 x 30.00 x 10.00	1219 x 762 x 254	14	A48P30	A48P30G	45.00 x 27.00	1143 x 686	3.00	76	8	Small
A48H36CLP	48.00 x 36.00 x 10.00	1219 x 914 x 254	14	A48P36	A48P36G	45.00 x 33.00	1143 x 838	3.00	76	8	Large
A60H36CLP	60.00 x 36.00 x 10.00	1524 x 914 x 254	14	A60P36	A60P36G	57.00 x 33.00	1448 x 838	3.00	76	9	Large
A30H24DLP	30.00 x 24.00 x 12.00	762 x 610 x 305	14	A30P24	A30P24G	27.00 x 21.00	686 x 533	3.00	76	5	Large
A36H30DLP	36.00 x 30.00 x 12.00	914 x 762 x 305	14	A36P30	A36P30G	33.00 x 27.00	838 x 686	3.00	76	7	Large
A48H36DLP	48.00 x 36.00 x 12.00	1219 x 914 x 305	14	A48P36	A48P36G	45.00 x 33.00	1143 x 838	3.00	76	8	Large
A36H30FLP	36.00 x 30.00 x 16.00	914 x 762 x 406	14	A36P30	A36P30G	33.00 x 27.00	838 x 686	3.00	76	7	Large
A48H36FLP	48.00 x 36.00 x 16.00	1219 x 914 x 406	14	A48P36	A48P36G	45.00 x 33.00	1143 x 838	3.00	76	8	Large
A60H36FLP	60.00 x 36.00 x 16.00	1524 x 914 x 406	14	A60P36	A60P36G	57.00 x 33.00	1448 x 838	3.00	76	9	Large

Purchase panels separately. Optional stainless steel, conductive, composite and aluminum panels are available for most sizes.



Popular Accessories

Enclosure Width (B Dimension)	Hole Seals	Window Kits
12 in. (305 mm)	AS050	APWK53NF
16 in. (406 mm)	AS050	APWK53NF
20 in. (508 mm)	AS050	APWK53NF
24 in. (610 mm)	AS050	APWK53NF
30 in. (762 mm)	AS050	APWK53NF
36 in. (914 mm)	AS050	APWK53NF

CONTINUOUS HINGE WITH 3-POINT LATCH, TYPE 4



SPECIFICATIONS

- Internal 3-point latch and padlocking POWERGLIDE Handle for quick, secure access
- Seamless foam-in-place gasket ensures a continuous seal
- 90-degree body flange opening channels away liquids
- External, welded-on mounting feet for easy installation
- Continuous hinge provides strength and ruggedness
- 14 or 16 gauge steel (see table) with continuously welded seams that are ground smooth

FINISH

ANSI 61 gray

ACCESSORIES

See also *Accessories*.
 LED Light Kits
 Thermoelectric Cooler
 Touch-Up Paint
 Hole Seals

MODIFICATION AND CUSTOMIZATION

Hoffman excels at modifying and customizing products to your specifications. Contact your local Hoffman sales office or distributor for complete information.

BULLETIN: A4W3

INDUSTRY STANDARDS

UL 508A Listed; Type 4, 12, 13; File No. E61997
 cUL Listed per CSA C22.2 No. 94; Type 4, 12, 13; File No. E61997

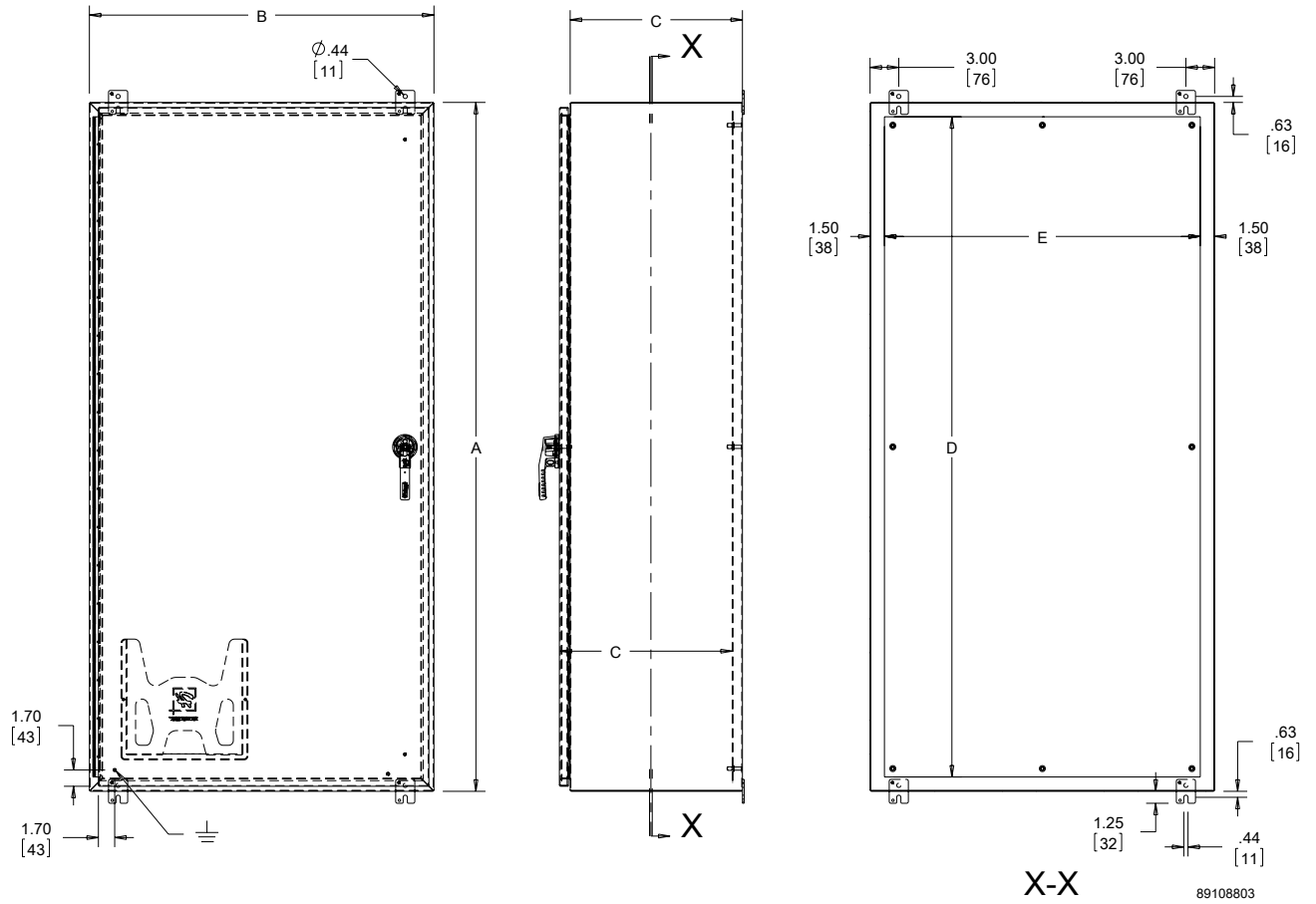
NEMA/EEMAC Type 3, 4, 12, and 13
 CSA, File No. 42186: Type 4 and 12
 IEC 60529, IP66

APPLICATION

These time-tested, single-door enclosures feature Hoffman's exclusive padlocking POWERGLIDE™ Handle with 3-point latching for quick and convenient access. Ideal for indoor and outdoor applications, these rigid-bodied enclosures provide superior ease-of-access without sacrificing a secure seal.

Catalog Number	AxBxC in./mm	Body Gauge	Panel	Conductive Panel	Panel Size D x E in./mm	Data Pocket
A16H16ALP3PT	16.00 x 16.00 x 6.00 406 x 406 x 152	16	A16P16	A16P16G	13.00 x 13.00 330 x 330	Small
A20H16ALP3PT	20.00 x 16.00 x 6.00 508 x 406 x 152	16	A20P16	A20P16G	17.00 x 13.00 432 x 330	Small
A24H24ALP3PT	24.00 x 24.00 x 6.00 610 x 610 x 152	16	A24P24	A24P24G	21.00 x 21.00 533 x 533	Small
A20H16BLP3PT	20.00 x 16.00 x 8.00 508 x 406 x 203	16	A20P16	A20P16G	17.00 x 13.00 432 x 330	Small
A20H20BLP3PT	20.00 x 20.00 x 8.00 508 x 508 x 203	16	A20P20	A20P20G	17.00 x 17.00 432 x 432	Small
A24H20BLP3PT	24.00 x 20.00 x 8.00 610 x 508 x 203	16	A24P20	A24P20G	21.00 x 17.00 533 x 432	Small
A24H24BLP3PT	24.00 x 24.00 x 8.00 610 x 610 x 203	16	A24P24	A24P24G	21.00 x 21.00 533 x 533	Small
A30H24BLP3PT	30.00 x 24.00 x 8.00 762 x 610 x 203	14	A30P24	A30P24G	27.00 x 21.00 686 x 533	Small
A30H30BLP3PT	30.00 x 30.00 x 8.00 762 x 762 x 203	14	A30P30	A30P30G	27.00 x 27.00 686 x 686	Small
A36H30BLP3PT	36.00 x 30.00 x 8.00 914 x 762 x 203	14	A36P30	A36P30G	33.00 x 27.00 838 x 686	Small
A36H30CLP3PT	36.00 x 30.00 x 10.00 914 x 762 x 254	14	A36P30	A36P30G	33.00 x 27.00 838 x 686	Small
A36H30DLP3PT	36.00 x 30.00 x 12.00 914 x 762 x 305	14	A36P30	A36P30G	33.00 x 27.00 838 x 686	Small
A48H36DLP3PT	48.00 x 36.00 x 12.00 1219 x 914 x 305	14	A48P36	A48P36G	45.00 x 33.00 1143 x 838	Small
A60H36DLP3PT	60.00 x 36.00 x 12.00 1524 x 914 x 305	14	A60P36	A60P36G	57.00 x 33.00 1448 x 838	Large
A72H36DLP3PT	72.00 x 36.00 x 12.00 1829 x 914 x 305	14	A72P36	A72P36G	69.00 x 33.00 1753 x 838	Large
A48H36FLP3PT	48.00 x 36.00 x 16.00 1219 x 914 x 406	14	A48P36	A48P36G	45.00 x 33.00 1143 x 838	Large
A60H36FLP3PT	60.00 x 36.00 x 16.00 1524 x 914 x 406	14	A60P36	A60P36G	57.00 x 33.00 1448 x 838	Large
A72H36FLP3PT	72.00 x 36.00 x 16.00 1829 x 914 x 406	14	A72P36	A72P36G	69.00 x 33.00 1753 x 838	Large
A60H36GLP3PT	60.00 x 36.00 x 18.00 1524 x 914 x 457	14	A60P36	A60P36G	57.00 x 33.00 1448 x 838	Large
A72H36GLP3PT	72.00 x 36.00 x 18.00 1829 x 914 x 457	14	A72P36	A72P36G	69.00 x 33.00 1753 x 838	Large
A60H36JLP3PT	60.00 x 36.00 x 24.00 1524 x 914 x 610	14	A60P36	A60P36G	57.00 x 33.00 1448 x 838	Large
A72H36JLP3PT	72.00 x 36.00 x 24.00 1829 x 914 x 610	14	A72P36	A72P36G	69.00 x 33.00 1753 x 838	Large

Purchase panels separately.



FREE-STAND, TYPE 1



INDUSTRY STANDARDS

UL508A Listed; Type 1; File No. E61997
 cUL Listed per CSA C22.2 No. 40; Type 1; File No. E61997

NEMA/EEMAC Type 1
 IEC 60529 IP30

APPLICATION

Free-Stand Type 1 Enclosures are an economical way to protect electrical and electronic equipment in applications that do not require extensive environmental protection.

SPECIFICATIONS

- 14 gauge steel body and door; 12 gauge back covers
- 4-in. high 10 gauge steel integral lifting base
- Heights from 48 in. to 84 in. Usable height inside cabinet 4 in. less than nominal height.
- Sturdy 7 gauge lifting tabs
- Flush doors
- 3-point latch with heavy-duty handle
- Padlock provision in handle
- Predrilled holes in lifting base provide bolt-down capability
- Easily reversible doors on single-door models

- Overlapping doors with no center post on two-door models
- Bonding provision on each door
- Studs included for mounting optional panels on threaded bolts
- Optional rack angles mount to top and bottom of front flanges
- Removable back covers

FINISH

RAL 7035 light-gray polyester powder paint inside and outside. Optional panels have white or conductive finish. Rack angles have galvanized finish.

ACCESSORIES

See also Accessories.
 Rack-Mount Steel Shelf
 Rack Angles
 Panels for Free-Stand Type 1 Large Two-Door Enclosures

MODIFICATION AND CUSTOMIZATION

Hoffman excels at modifying and customizing products to your specifications. Contact your local Hoffman sales office or distributor for complete information.

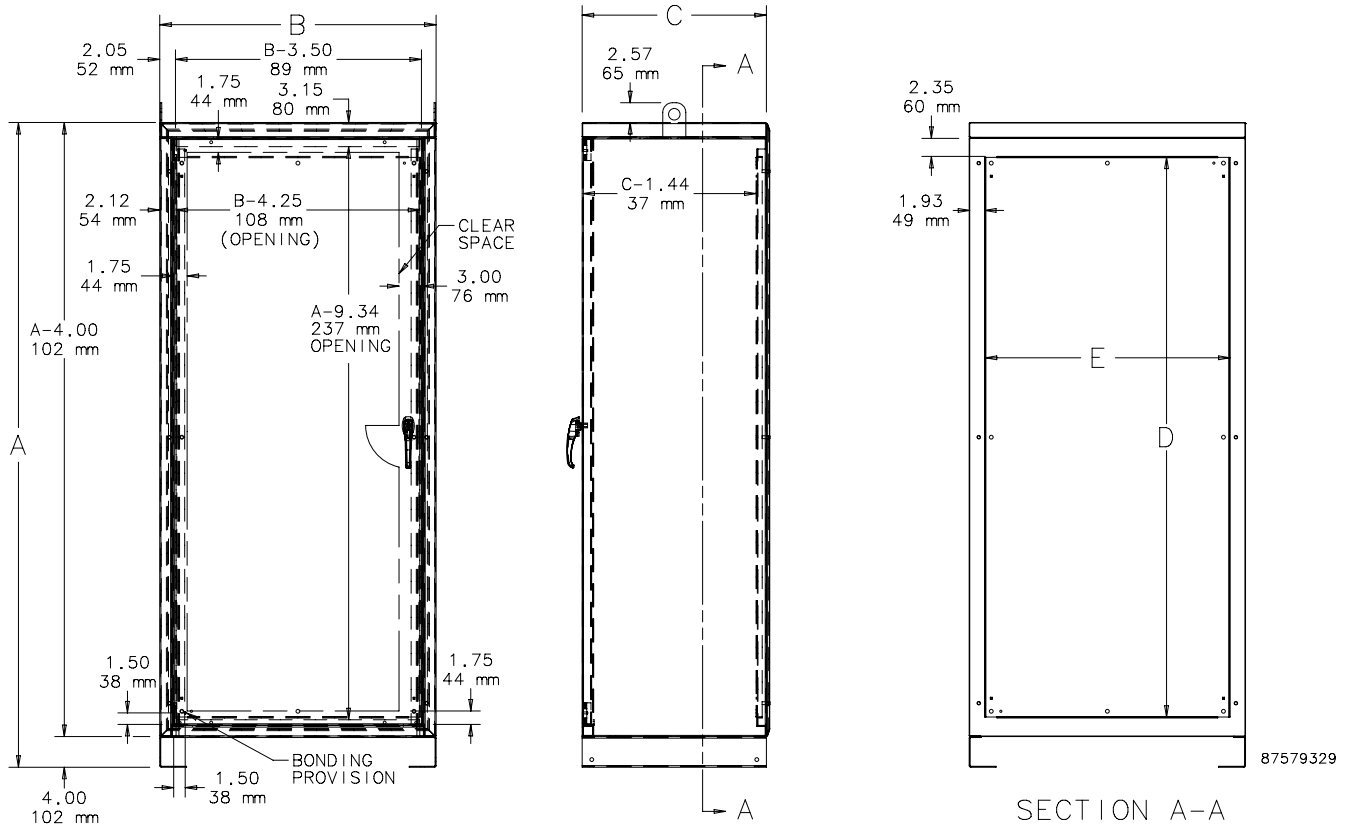
BULLETIN: A38

Standard Product **One-Door Enclosures**

Catalog Number	AxBxC in./mm	Panel	Conductive Panel	Panel Size D in./mm	Panel Size E in./mm
A48N2512FSLP	48.00 x 25.50 x 12.00 1219 x 648 x 305	A37P21N	A37P21NG	37.16 944	21.50 546
A48N2518FSLP	48.00 x 25.50 x 18.00 1219 x 648 x 457	A37P21N	A37P21NG	37.16 944	21.50 546
A60N2512FSLP	60.00 x 25.50 x 12.00 1524 x 648 x 305	A49P21N	A49P21NG	49.16 1249	21.50 546
A60N2518FSLP	60.00 x 25.50 x 18.00 1524 x 648 x 457	A49P21N	A49P21NG	49.16 1249	21.50 546
A60N2524FSLP	60.00 x 25.50 x 24.00 1524 x 648 x 610	A49P21N	A49P21NG	49.16 1249	21.50 546
A72N2518FSLP	72.00 x 25.50 x 18.00 1829 x 648 x 457	A61P21N	A61P21NG	61.16 1553	21.50 546
A84N2518FSLP	84.00 x 25.50 x 18.00 2134 x 648 x 457	A73P21N	A73P21NG	73.16 1858	21.50 546
A60N3618FSLP	60.00 x 36.00 x 18.00 1524 x 914 x 457	A49P32N	A49P32NG	49.16 1249	32.00 813
A72N3618FSLP	72.00 x 36.00 x 18.00 1829 x 914 x 457	A61P32N	A61P32NG	61.16 1553	32.00 813
A72N3624FSLP	72.00 x 36.00 x 24.00 1829 x 914 x 610	A61P32N	A61P32NG	61.16 1553	32.00 813
A84N3624FSLP	84.00 x 36.00 x 24.00 2134 x 914 x 610	A73P32N	A73P32NG	73.16 1858	32.00 813

Purchase panels separately.

Free-Standing Type 1 Large Single-Door Enclosures Drawing

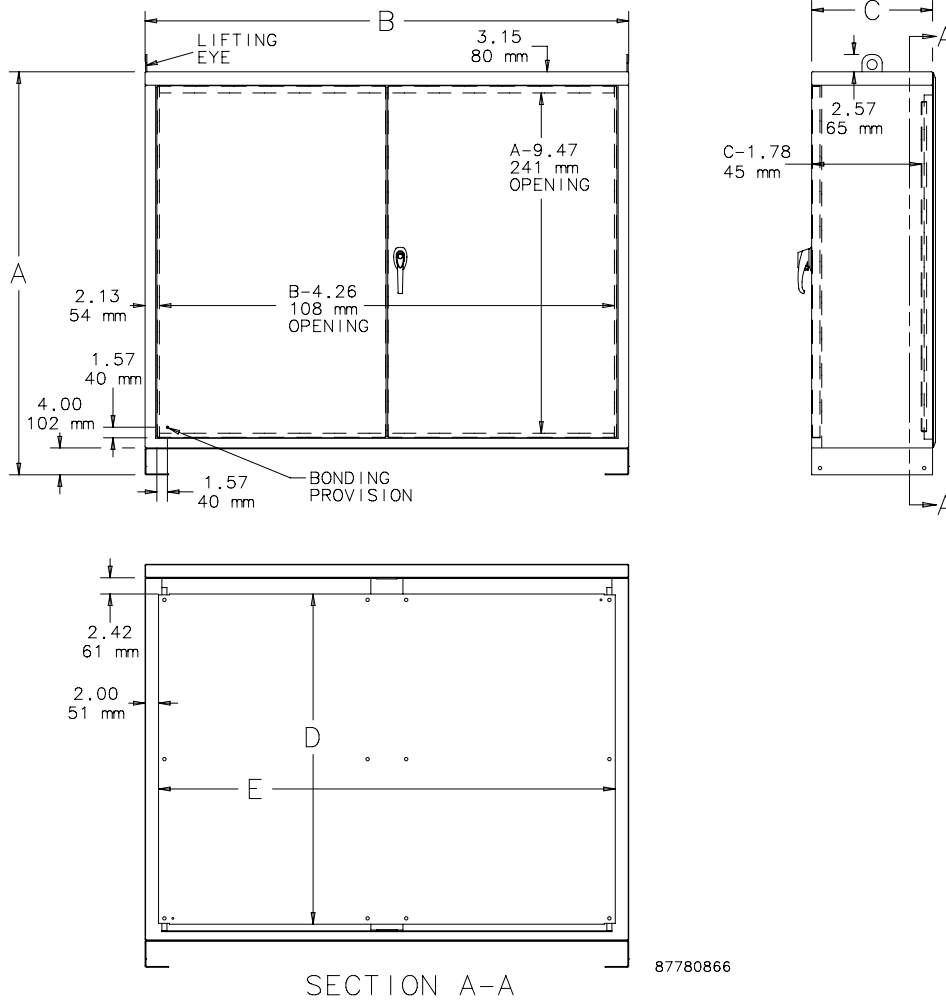


Standard Product **Two-Door Enclosures**

Catalog Number	AxBxC in./mm	Panel	Conductive Panel	Panel Size D in.	Panel Size E in.
A48N5212FSLP	48.00 x 52.00 x 12.00 1219 x 1321 x 305	A37P48N	A37P48NG	37.16 944	48.00 1219
A48N5218FSLP	48.00 x 52.00 x 18.00 1219 x 1321 x 457	A37P48N	A37P48NG	37.16 944	48.00 1219
A60N5212FSLP	60.00 x 52.00 x 12.00 1524 x 1321 x 305	A49P48N	A49P48NG	49.16 1249	48.00 1219
A60N5218FSLP	60.00 x 52.00 x 18.00 1524 x 1321 x 457	A49P48N	A49P48NG	49.16 1249	48.00 1219
A60N5224FSLP	60.00 x 52.00 x 24.00 1524 x 1321 x 610	A49P48N	A49P48NG	49.16 1249	48.00 1219
A60N7224FSLP	60.00 x 72.00 x 24.00 1524 x 1829 x 610	A49P68N	A49P68NG	49.16 1249	68.00 1727
A72N7218FSLP	72.00 x 72.00 x 18.00 1829 x 1829 x 457	A61P68N	A61P68NG	61.16 1553	68.00 1727
A72N7224FSLP	72.00 x 72.00 x 24.00 1829 x 1829 x 610	A61P68N	A61P68NG	61.16 1553	68.00 1727
A84N7218FSLP	84.00 x 72.00 x 18.00 2134 x 1829 x 457	A73P68N	A73P68NG	73.16 1858	68.00 1727
A84N7224FSLP	84.00 x 72.00 x 24.00 2134 x 1829 x 610	A73P68N	A73P68NG	73.16 1858	68.00 1727

Purchase panels separately.

Free-Standing Type 1 Large Two-Door Enclosures Drawing



PANELS FOR FREE-STAND TYPE 1 LARGE ONE-DOOR ENCLOSURES

Panels for free-stand Type 1 large one-door standard and disconnect enclosures are 12 gauge steel. Panels have either polyester powder paint finish or a conductive, corrosion-resistant coating.

BULLETIN: A26P, A38P

Catalog Number	Finish	Panel Size D x E (in.)	Panel Size D x E (mm)
A37P21N	Painted steel	37.16 x 21.50	944 x 546
A37P21NG	Conductive	37.16 x 21.50	944 x 546
A49P21N	Painted steel	49.16 x 21.50	1249 x 546
A49P21NG	Conductive	49.16 x 21.50	1249 x 546
A61P21N	Painted steel	61.16 x 21.50	1553 x 546
A73P21N	Painted steel	73.16 x 21.50	1858 x 546
A73P21NG	Conductive	73.16 x 21.50	1858 x 546
A49P32N	Painted steel	49.16 x 32.00	1249 x 813
A49P32NG	Conductive	49.16 x 32.00	1249 x 813
A61P32N	Painted steel	61.16 x 32.00	1553 x 813
A61P32NG	Conductive	61.16 x 32.00	1553 x 813
A73P32N	Painted steel	73.16 x 32.00	1858 x 813
A73P32NG	Conductive	73.16 x 32.00	1858 x 813

PANELS FOR FREE-STAND TYPE 1 LARGE TWO-DOOR ENCLOSURES

Panels for free-stand Type 1 large two-door standard and disconnect enclosures are 10 gauge steel. Panels have either polyester powder paint finish or a conductive, corrosion-resistant coating.

BULLETIN: A38P

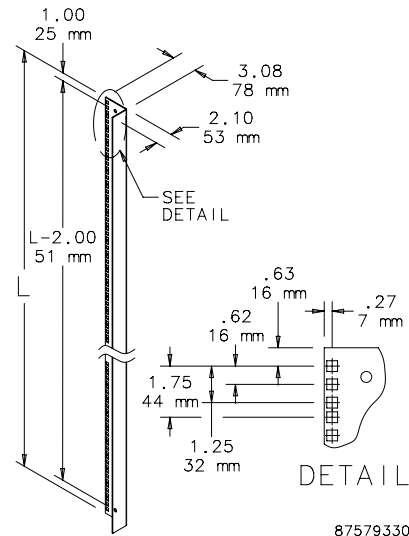
Catalog Number	Finish	Panel Size D x E (in.)	Panel Size D x E (mm)
A37P48N	Painted steel	37.16 x 48.00	944 x 1219
A37P48NG	Conductive	37.16 x 48.00	944 x 1219
A49P48N	Painted steel	49.16 x 48.00	1249 x 1219
A49P48NG	Conductive	49.16 x 48.00	1249 x 1219
A49P68N	Painted steel	49.16 x 68.00	1249 x 1727
A49P68NG	Conductive	49.16 x 68.00	1249 x 1727
A61P68N	Painted steel	61.16 x 68.00	1553 x 1727
A61P68NG	Conductive	61.16 x 68.00	1553 x 1727
A73P68N	Painted steel	73.16 x 68.00	1858 x 1727
A73P68NG	Conductive	73.16 x 68.00	1858 x 1727

RACK ANGLES

Use to install 19-in. wide equipment in 25.5-in. wide enclosures and 23-in. wide equipment in 36-in. wide enclosures. Order two sets for 52- and 72-in. wide two-door enclosures. Galvanized 14 gauge steel with square holes spaced to meet EIA 310-D standards. Mount to factory-drilled holes in top and bottom of front flange. Purchase clip nuts, catalog number AN1032, separately for component mounting.

BULLETIN: A38P

Catalog Number	L in./mm	Kit Qty.
ARA4819THG	41.63 1057	2
ARA6019THG	53.63 1362	2
ARA7219THG	65.63 1667	2
ARA8419THG	77.63 1972	2



GASKET KITS

Apply self-adhesive strip gaskets for gasketed NEMA 1 solution. Each kit includes sufficient gasket for any one- or two-door enclosure. Choose kit by number of doors.

BULLETIN: A38P

Catalog Number	Description
A38GSKT	For one-door enclosures
A38GSKT2	For two-door enclosures

FREE-STAND, SINGLE OR DUAL ACCESS, TYPE 12



INDUSTRY STANDARDS

UL 508A Listed; Type 12; File No. E61997
 cUL Listed per CSA C22.2 No. 94; Type 12; File No. E61997

NEMA/EEMAC Type 12
 E.I.A. RS310D
 CSA, File No. 42186, Type 12
 IEC 60529, IP55

APPLICATION

Available with front or front and rear access, these Type 12 enclosures have sturdy unibody construction and flexible internal mounting options.

SPECIFICATIONS

- 12 gauge steel
- Seams continuously welded and ground smooth; no holes or knockouts
- Stiffeners on back of two-door enclosures maintain flatness and increase rigidity
- Lifting eyes for easy handling
- 3-point latches operated by oil-tight key-locking handle
- Latch rod rollers for easy door closing
- Concealed, easy-to-remove hinges
- Data pockets are high-impact thermoplastic
- Internal mounting channels welded horizontally to sides at top, bottom and center
- Optional panels and rack mount angles can be mounted anywhere along channels
- Oil-resistant door gasket
- Bonding provision on door
- Provision for mounting fluorescent light

FINISH

Two finishes available: ANSI 61 gray, polyester powder paint outside and inside; or ANSI 61 gray outside and white, polyester powder paint inside. Optional panels available with a white or conductive finish.

ACCESSORIES

See also Accessories.
 Plate Casters
 Electric Heater
 Door Stop Kit
 Compact Cooling Fans
 PANELITE™ Enclosure Lights Overview
See also the Popular Cooling Products and Accessories tables following the Standard Products tables.

MODIFICATION AND CUSTOMIZATION

Hoffman excels at modifying and customizing products to your specifications. Contact your local Hoffman sales office or distributor for complete information.

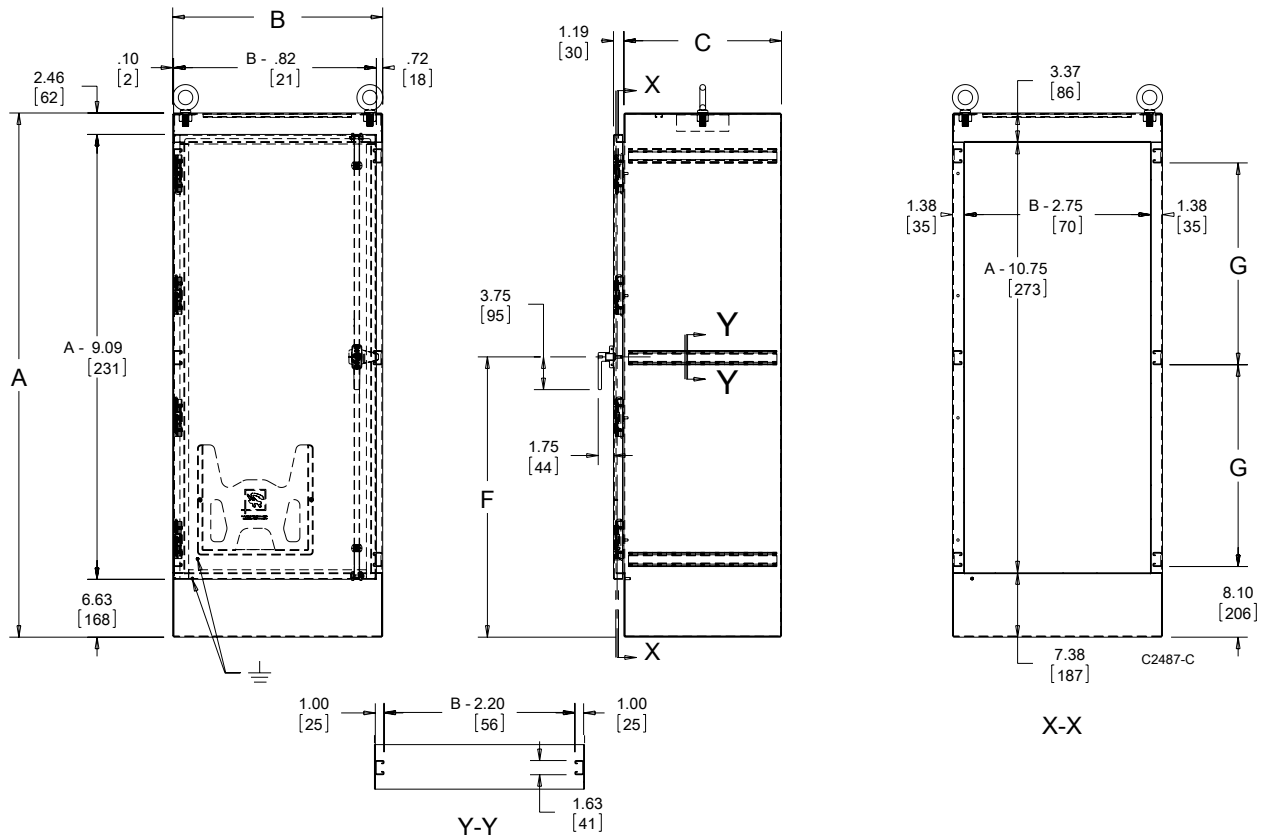
BULLETIN: A30

Standard Product **One-Door Single-Access**

Catalog Number	AxBxC in.	AxBxC mm	Interior Finish	F (in.)	F (mm)	G (in.)	G (mm)	Number of Lifting Eyes	Number of Rack Units
A602418FSG	60.06 x 24.06 x 18.06	1526 x 611 x 459	Gray	32.03	814	23.12	587	2	28
A602418FS	60.06 x 24.06 x 18.06	1526 x 611 x 459	White	32.03	814	23.12	587	2	28
A722418FSG	72.06 x 24.06 x 18.06	1830 x 611 x 459	Gray	38.03	966	29.12	740	2	35
A722418FS	72.06 x 24.06 x 18.06	1830 x 611 x 459	White	38.03	966	29.12	740	2	35
A723018FSG	72.06 x 30.06 x 18.06	1830 x 764 x 459	Gray	38.03	966	29.12	740	2	35
A723018FS	72.06 x 30.06 x 18.06	1830 x 764 x 459	White	38.03	966	29.12	740	2	35
A723618FSG	72.06 x 36.06 x 18.06	1830 x 916 x 459	Gray	38.03	966	29.12	740	2	35
A723618FS	72.06 x 36.06 x 18.06	1830 x 916 x 459	White	38.03	966	29.12	740	2	35
A902420FSG	90.06 x 24.06 x 20.06	2288 x 611 x 510	Gray	47.03	1195	38.12	968	2	45
A902420FS	90.06 x 24.06 x 20.06	2288 x 611 x 510	White	47.03	1195	38.12	968	2	45
A903620FSG	90.06 x 36.06 x 20.06	2288 x 916 x 510	Gray	47.03	1195	38.12	968	2	45
A903620FS	90.06 x 36.06 x 20.06	2288 x 916 x 510	White	47.03	1195	38.12	968	2	45
A603624FSG	60.06 x 36.06 x 24.06	1526 x 916 x 611	Gray	32.03	814	23.12	587	2	28
A603624FS	60.06 x 36.06 x 24.06	1526 x 916 x 611	White	32.03	814	23.12	587	2	28
A722424FSG	72.06 x 24.06 x 24.06	1830 x 611 x 611	Gray	38.03	966	29.12	740	2	35
A722424FS	72.06 x 24.06 x 24.06	1830 x 611 x 611	White	38.03	966	29.12	740	2	35
A723024FSG	72.06 x 30.06 x 24.06	1830 x 764 x 611	Gray	38.03	966	29.12	740	2	35
A723024FS	72.06 x 30.06 x 24.06	1830 x 764 x 611	White	38.03	966	29.12	740	2	35
A723624FSG	72.06 x 36.06 x 24.06	1830 x 916 x 611	Gray	38.03	966	29.12	740	2	35
A723624FS	72.06 x 36.06 x 24.06	1830 x 916 x 611	White	38.03	966	29.12	740	2	35
A903624FSG	90.06 x 36.06 x 24.06	2288 x 916 x 611	Gray	47.03	1195	38.12	968	2	45
A903624FS	90.06 x 36.06 x 24.06	2288 x 916 x 611	White	47.03	1195	38.12	968	2	45
A723630FSG	72.06 x 36.06 x 30.06	1830 x 916 x 764	Gray	38.03	966	29.12	740	4	35
A723630FS	72.06 x 36.06 x 30.06	1830 x 916 x 764	White	38.03	966	29.12	740	4	35
A723636FSG	72.06 x 36.06 x 36.06	1830 x 916 x 916	Gray	38.03	966	29.12	740	4	35
A723636FS	72.06 x 36.06 x 36.06	1830 x 916 x 916	White	38.03	966	29.12	740	4	35
A903636FSG	90.06 x 36.06 x 36.06	2288 x 916 x 916	Gray	47.03	1195	38.12	968	4	45
A903636FS	90.06 x 36.06 x 36.06	2288 x 916 x 916	White	47.03	1195	38.12	968	4	45

Four lifting eyes are furnished if C = 30.06 (764mm) or more.

Removable 12.00 x 12.00 [305mm x 305mm] data pocket included.

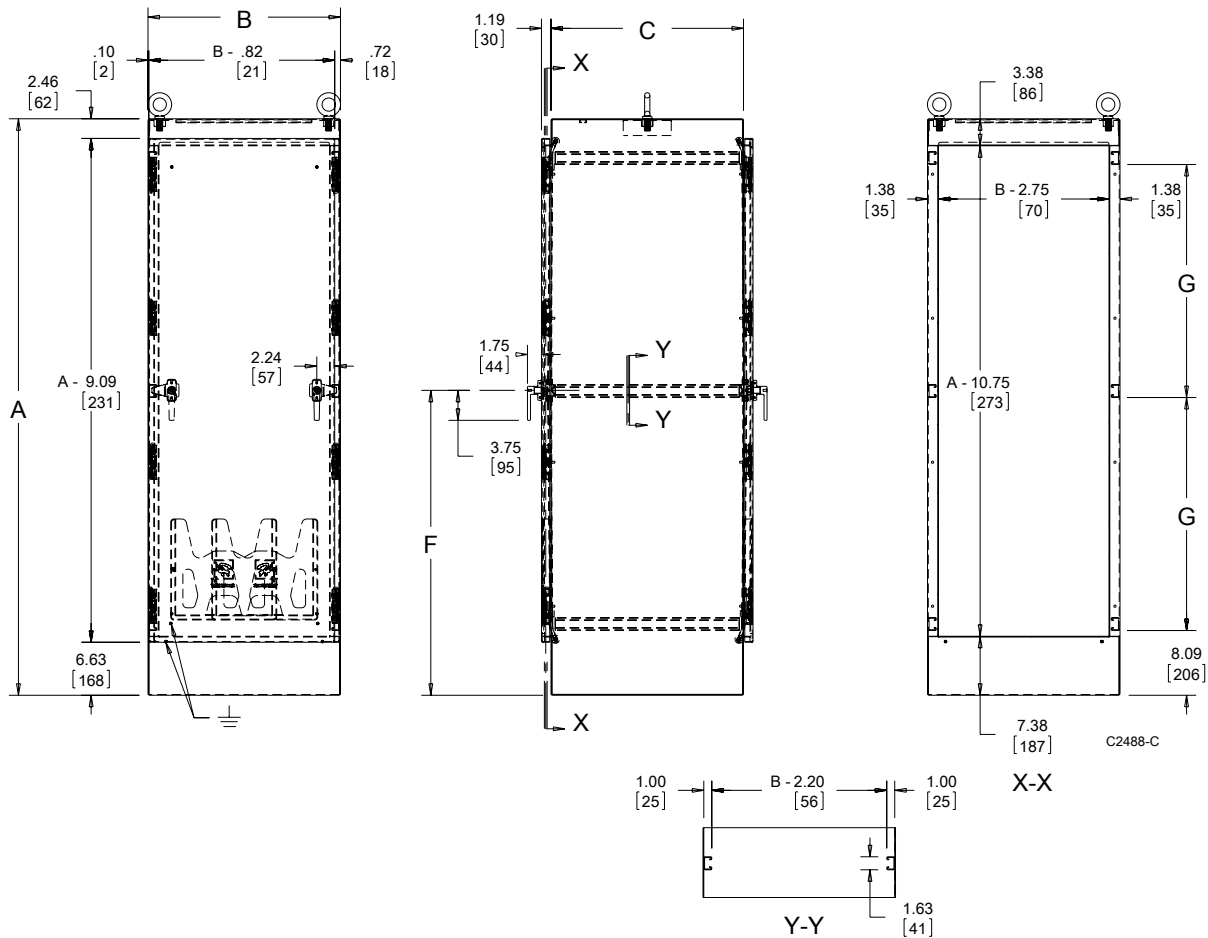


Standard Product **One-Door Dual-Access**

Catalog Number	AxBxC in.	AxBxC mm	Interior Finish	F (in.)	F (mm)	G (in.)	G (mm)	Number of Lifting Eyes	Number of Rack Units
A722424FSDAG	72.06 x 24.06 x 24.06	1830 x 611 x 611	Gray	38.03	966	29.12	740	2	35
A722424FSDA	72.06 x 24.06 x 24.06	1830 x 611 x 611	White	38.03	966	29.12	740	2	35
A723024FSDAG	72.06 x 30.06 x 24.06	1830 x 764 x 611	Gray	38.03	966	29.12	740	2	35
A723024FSDA	72.06 x 30.06 x 24.06	1830 x 764 x 611	White	38.03	996	29.12	740	2	35
A723624FSDAG	72.06 x 36.06 x 24.06	1830 x 916 x 611	Gray	38.03	966	29.12	740	2	35
A723624FSDA	72.06 x 36.06 x 24.06	1830 x 916 x 611	White	38.03	966	29.12	740	2	35
A903624FSDAG	90.06 x 36.06 x 24.06	2288 x 916 x 611	Gray	47.03	1195	38.12	968	2	45
A903624FSDA	90.06 x 36.06 x 24.06	2288 x 916 x 611	White	47.03	1195	38.12	968	2	45
A722430FSDAG	72.06 x 24.06 x 30.06	1830 x 611 x 764	Gray	38.03	966	29.12	740	4	35
A722430FSDA	72.06 x 24.06 x 30.06	1830 x 611 x 764	White	38.03	966	29.12	740	4	35
A722436FSDAG	72.06 x 24.06 x 36.06	1830 x 611 x 916	Gray	38.03	966	29.12	740	4	35
A722436FSDA	72.06 x 24.06 x 36.06	1830 x 611 x 916	White	38.03	966	29.12	740	4	35
A723636FSDAG	72.06 x 36.06 x 36.06	1830 x 916 x 916	Gray	38.03	966	29.12	740	4	35
A723636FSDA	72.06 x 36.06 x 36.06	1830 x 916 x 916	White	38.03	966	29.12	740	4	35
A903636FSDAG	90.06 x 36.06 x 36.06	2288 x 916 x 916	Gray	47.03	1195	38.12	968	4	45
A903636FSDA	90.06 x 36.06 x 36.06	2288 x 916 x 916	White	47.03	1195	38.12	968	4	45

Four lifting eyes are furnished if C = 30.06 (764mm) or more.

Removable 12.00 x 12.00 (305mm x 305mm) data pocket.



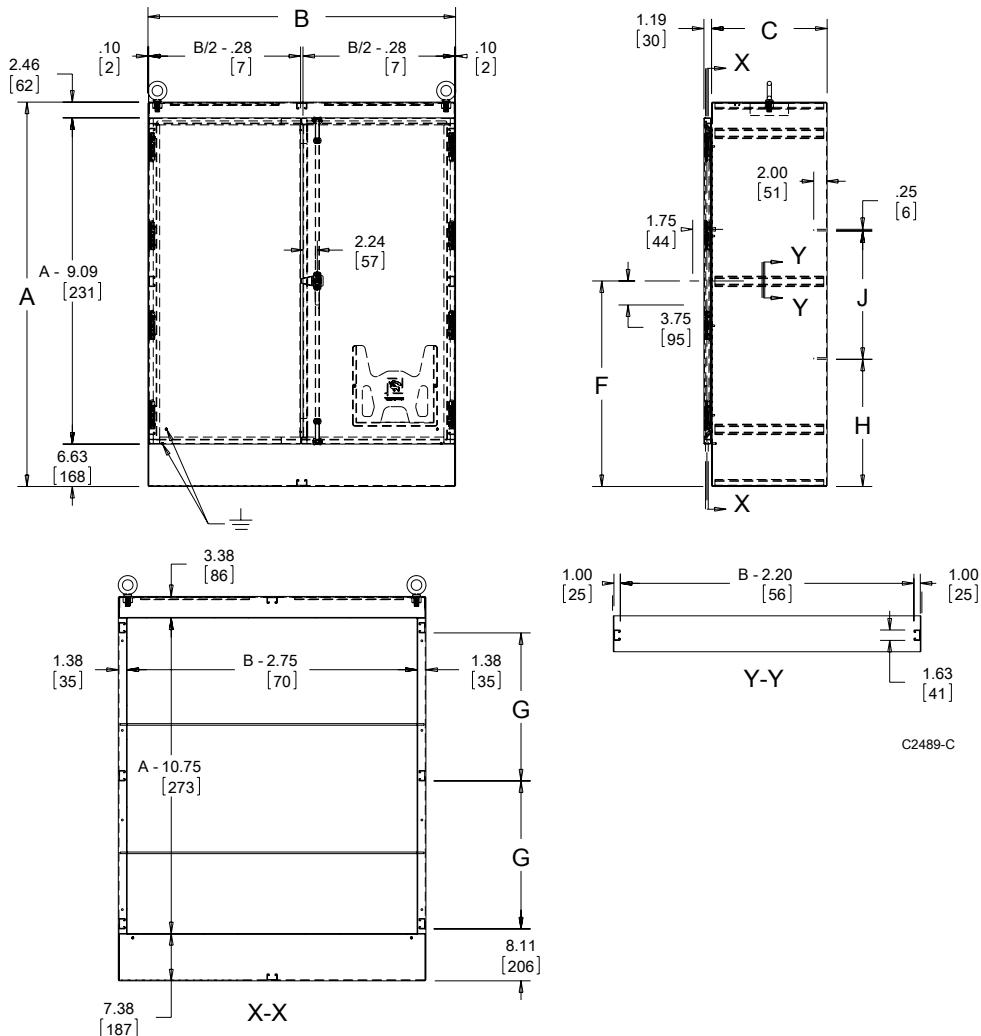
C2488-C

Standard Product **Two-Door Single-Access**

Catalog Number	AxBxC in.	AxBxC mm	Interior Finish	F (in.)	F (mm)	G (in.)	G (mm)	H (in.)	H (mm)	J (in.)	J (mm)	Number of Lifting Eyes	Number of Rack Units
A604818FSDG	60.06 x 48.06 x 18.06	1526 x 1221 x 459	Gray	32.03	814	23.12	587	19.88	505	20.03	509	2	28
A604818FSD	60.06 x 48.06 x 18.06	1526 x 1221 x 459	White	32.03	814	23.12	587	19.88	505	20.03	509	2	28
A724818FSDG	72.06 x 48.06 x 18.06	1830 x 1221 x 459	Gray	38.03	966	29.12	740	23.88	607	24.03	610	2	35
A724818FSD	72.06 x 48.06 x 18.06	1830 x 1221 x 459	White	38.03	966	29.12	740	23.88	607	24.03	610	2	35
A726018FSDG	72.06 x 60.06 x 18.06	1830 x 1526 x 459	Gray	38.03	966	29.12	740	23.88	607	24.03	610	2	35
A726018FSD	72.06 x 60.06 x 18.06	1830 x 1526 x 459	White	38.03	966	29.12	740	23.88	607	24.03	610	2	35
A727218FSDG	72.06 x 72.06 x 18.06	1830 x 1830 x 459	Gray	38.03	966	29.12	740	23.88	607	24.03	610	2	35
A727218FSD	72.06 x 72.06 x 18.06	1830 x 1830 x 459	White	38.03	966	29.12	740	23.88	607	24.03	610	2	35
A904820FSDG	90.06 x 48.06 x 20.06	2288 x 1221 x 510	Gray	47.03	1195	38.12	968	29.88	759	30.03	763	2	45
A904820FSD	90.06 x 48.06 x 20.06	2288 x 1221 x 510	White	47.03	1195	38.12	968	29.88	759	30.03	763	2	45
A907220FSDG	90.06 x 72.06 x 20.06	2288 x 1830 x 510	Gray	47.03	1195	38.12	968	29.88	759	30.03	763	2	45
A907220FSD	90.06 x 72.06 x 20.06	2288 x 1830 x 510	White	47.03	1195	38.12	968	29.88	759	30.03	763	2	45
A724824FSDG	72.06 x 48.06 x 24.06	1830 x 1221 x 611	Gray	38.03	966	29.12	740	23.88	607	24.03	610	2	35
A724824FSD	72.06 x 48.06 x 24.06	1830 x 1221 x 611	White	38.03	966	29.12	740	23.88	607	24.03	610	2	35
A726024FSDG	72.06 x 60.06 x 24.06	1830 x 1526 x 611	Gray	38.03	966	29.12	740	23.88	607	24.03	610	2	35
A726024FSD	72.06 x 60.06 x 24.06	1830 x 1526 x 611	White	38.03	966	29.12	740	23.88	607	24.03	610	2	35
A727224FSDG	72.06 x 72.06 x 24.06	1830 x 1830 x 611	Gray	38.03	966	29.12	740	23.88	607	24.03	610	2	35
A727224FSD	72.06 x 72.06 x 24.06	1830 x 1830 x 611	White	38.03	966	29.12	740	23.88	607	24.03	610	2	35
A907224FSDG	90.06 x 72.06 x 24.06	2288 x 1830 x 611	Gray	47.03	1195	38.12	968	29.88	759	30.03	763	2	45
A907224FSD	90.06 x 72.06 x 24.06	2288 x 1830 x 611	White	47.03	1195	38.12	968	29.88	759	30.03	763	2	45
A726036FSDG	72.06 x 60.06 x 36.06	1830 x 1526 x 916	Gray	38.03	966	29.12	740	23.88	607	24.03	610	4	35
A726036FSD	72.06 x 60.06 x 36.06	1830 x 1526 x 916	White	38.03	966	29.12	740	23.88	607	24.03	610	4	35
A907236FSDG	90.06 x 72.06 x 36.06	2288 x 1830 x 916	Gray	47.03	1195	38.12	968	29.88	759	30.03	763	4	45
A907236FSD	90.06 x 72.06 x 36.06	2288 x 1830 x 916	White	47.03	1195	38.12	968	29.88	759	30.03	763	4	45

Four lifting eyes are furnished if C = 30.06 (764mm) or more.

Removable 12.00 x 12.00 (305mm x 305mm) data pocket.

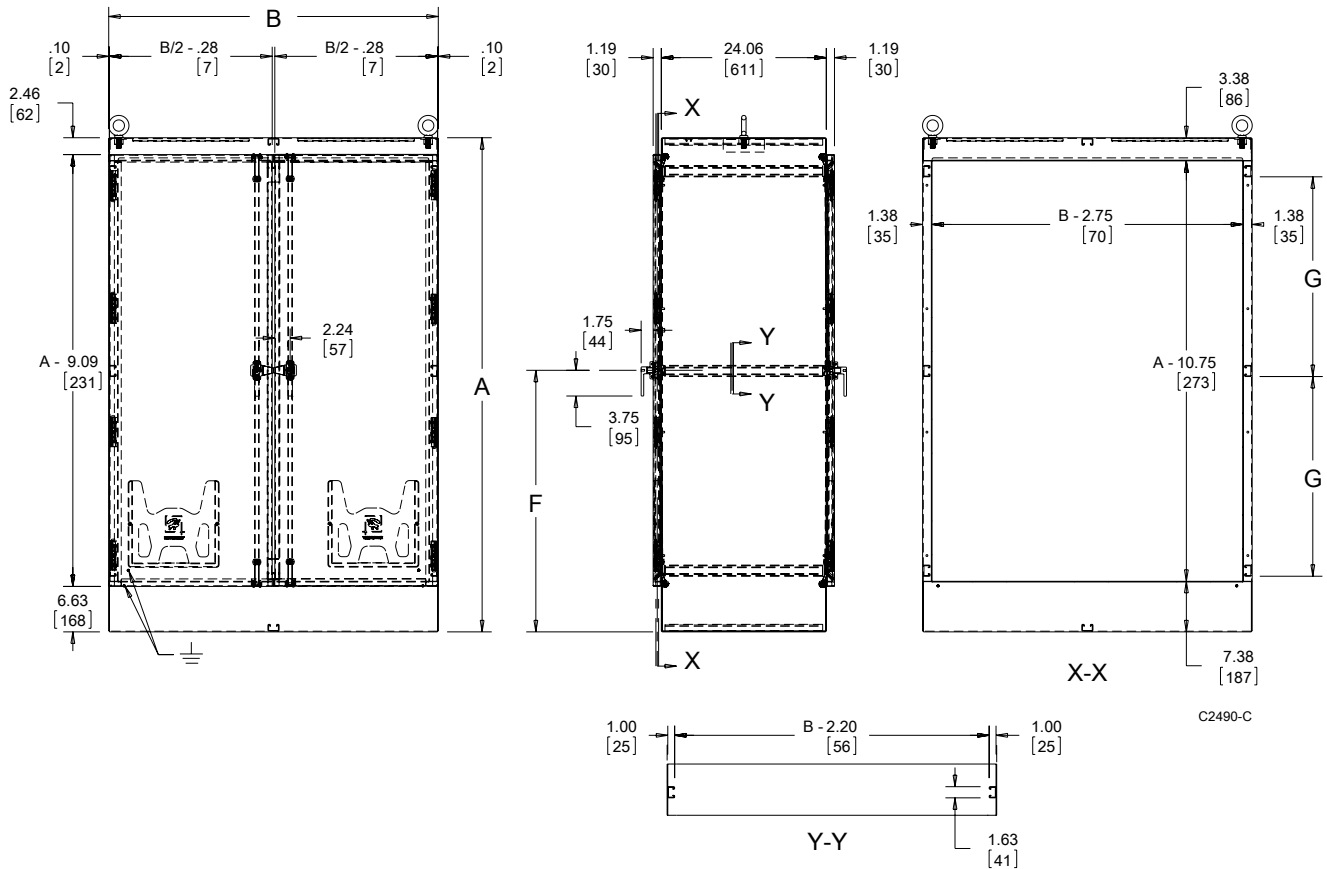


Standard Product **Two-Door Dual-Access**

Catalog Number	AxBxC in.	AxBxC mm	Interior Finish	F (in.)	F (mm)	G (in.)	G (mm)	Number of Lifting Eyes	Number of Rack Units
A724824FSDADG	72.06 x 48.06 x 24.06	1830 x 1221 x 611	Gray	38.03	966	29.12	740	2	35
A724824FSDAD	72.06 x 48.06 x 24.06	1830 x 1221 x 611	White	38.03	966	29.12	740	2	35
A726024FSDADG	72.06 x 60.06 x 24.06	1830 x 1526 x 611	Gray	38.03	966	29.12	740	2	35
A726024FSDAD	72.06 x 60.06 x 24.06	1830 x 1526 x 611	White	38.03	966	29.12	740	2	35
A727224FSDADG	72.06 x 72.06 x 24.06	1830 x 1830 x 611	Gray	38.03	966	29.12	740	2	35
A727224FSDAD	72.06 x 72.06 x 24.06	1830 x 1830 x 611	White	38.03	966	29.12	740	2	35
A726036FSDADG	72.06 x 60.06 x 36.06	1830 x 1526 x 916	Gray	38.03	966	29.12	740	4	35
A726036FSDAD	72.06 x 60.06 x 36.06	1830 x 1526 x 916	White	38.03	966	29.12	740	4	35
A907224FSDADG	90.06 x 72.06 x 24.06	2288 x 1830 x 611	Gray	47.03	1195	38.12	968	2	45
A907224FSDAD	90.06 x 72.06 x 24.06	2288 x 1830 x 611	White	47.03	1195	38.12	968	2	45

Four lifting eyes are furnished if C = 30.06 (764mm) or more.

Removable 12.00 x 12.00 (305mm x 305mm) data pocket.



Popular Cooling Products

Popular Cooling Solution*	Catalog Number
Air Conditioner	G280416G050

***Important:** Visit tools.hoffmanonline.com/attachments to access our **Cooling Selection Tool** to determine the appropriate cooling solution for your application.



Popular Accessories

Enclosure Width (B Dimension)	Lights	Hole Seals	Window Kits
24 in. (610 mm)	LED24V15	AS050	APWK53NF
30 in. (762 mm)	LED24V15	AS050	APWK53NF
36 in. (914 mm)	LED24V15	AS050	APWK53NF
48.06 in. (1221 mm)	LED24V15	AS050	APWK53NF
60.06 in. (1525 mm)	LED24V15	AS050	APWK53NF
72.06 in. (1830 mm)	LED24V15	AS050	APWK53NF

Notes



FREE-STAND TYPE 12 ENCLOSURE ACCESSORY SELECTION GUIDE
TYPE 12 FREE-STANDING ENCLOSURES ACCESSORY SELECTION

(See Accessories for Details)

Panels
 Catalog Number

				Single-Door Single-Access Enclosures										Single-Door Dual Access Enclosures													
				A602418FS	A722418FS	A723018FS	A723618FS	A902420FS	A903620FS	A603624FS	A722424FS	A723024FS	A723624FS	A903624FS	A723630FS	A723636FS	A903636FS	A722424FSDA	A723024FSDA	A723624FSDA	A903624FSDA	A722430FSDA	A722436FSDA	A723636FSDA	A903636FSDA		
Steel	Conductive	Description	Panel Size																								
A60P24F1	A60P24F1G	Full Panel	48.00 x 20.00 (1219 x 508)	•	• ^a												• ^a										
A60P24F2	A60P24F2G	Half Panel	24.88 x 20.00 (632 x 508)	•	• ^a			• ^a		• ^a							• ^a						• ^a	• ^a			
A72P24F1	A72P24F1G	Full Panel	60.00 x 20.00 (1524 x 508)		•			• ^a		•							•						•	•			
A72P24F2	A72P24F2G	Half Panel	30.88 x 20.00 (784 x 508)	• ^a	•			• ^a		•							•						•	•			
A90P24F1	A90P24F1G	Full Panel	78.00 x 20.00 (1981 x 508)					•															•	•			
A90P24F2	A90P24F2G	Half Panel	39.00 x 20.00 (1013 x 508)	• ^a	• ^a			•		• ^a							• ^a					• ^a	• ^a				
A72P30F1	A72P30F1G	Full Panel	60.00 x 26.00 (1524 x 660)			•					•							•									
A72P30F2	A72P30F2G	Half Panel	30.88 x 26.00 (784 x 660)								•								•								
A60P36F1	A60P36F1G	Full Panel	48.00 x 32.00 (1219 x 813)				• ^a		• ^a	•		• ^a	• ^a	• ^a	• ^a	• ^a		• ^a	• ^a					• ^a			
A60P36F2	A60P36F2G	Half Panel	24.88 x 32.00 (632 x 813)				• ^a		• ^a	•		• ^a	• ^a	• ^a	• ^a	• ^a		• ^a	• ^a					• ^a			
A72P36F1	A72P36F1G	Full Panel	60.00 x 32.00 (1524 x 813)									• ^a	• ^a	• ^a	• ^a	• ^a		• ^a	• ^a					• ^a			
A72P36F2	A72P36F2G	Half Panel	30.88 x 32.00 (784 x 813)				•	• ^a	• ^a	• ^a		•	• ^a	• ^a	• ^a	• ^a		•	• ^a					•			
A90P36F1	A90P36F1G	Full Panel	78.00 x 32.00 (1981 x 813)						•				•	•	•	•								•			
A90P36F2	A90P36F2G	Half Panel	39.88 x 32.00 (1013 x 813)				• ^a		• ^a			• ^a	• ^a	• ^a	• ^a	• ^a		• ^a	• ^a					• ^a			

Swing-Out Panels

Catalog No.	Description	Panel Size																								
A72SP24F3	Full Panel	60.00 x 18.81 (1524 x 478)		•														•								
A72SP24F4	Half Panel ^b	30.88 x 18.81 (784 x 478)		•														•						•	•	
A72AP30F3	Full Panel	60.00 x 24.81 (1524 x 630)				•													•							
A72AP30F4	Half Panel ^b	30.88 x 24.81 (784 x 630)				•													•							
A72SP36F3	Full Panel	60.00 x 30.81 (1524 x 783)				•						•		•	•				•					•		
A72SP36F4	Half Panel ^b	30.88 x 30.81 (784 x 783)				•						•		•	•				•					•		
A90SP36F3	Full Panel	78.00 x 30.81 (1981 x 783)											•											•		
A90SP36F4	Half Panel ^b	39.88 x 30.81 (1013 x 783)											•											•		

Side-Mount Panels

Steel	Conductive	Description	Panel Size																								
A60SMP14	A60SMP14G	14 Wide Panel (356)	48.00 x 14.00 (1219 x 356)	•																							
A72SMP14	A72SMP14G	14 Wide Panel (356)	60.00 x 14.00 (1524 x 356)		•																						
A90SMP14	A90SMP14G	14 Wide Panel (356)	78.00 x 14.00 (1981 x 356)					•	•															•			
A72SMP20	A72SMP20G	20 Wide Panel (508)	60.00 x 20.00 (1524 x 508)									•	•	•	•	•								•	•		
A90SMP20	A90SMP20G	20 Wide Panel (508)	78.00 x 20.00 (1981 x 508)										•	•	•	•								•	•		

Heavy-Duty Panel Supports

Catalog No.	Description	Panel Size																								
A60FSHDPS	2 Full-Length	57.25 (1454)		•																						
A72FSHDPS	Panel	69.25 (1759)		•	•	•	•																	•	•	
A90FSHDPS	Supports	87.25 (2216)					•	•																•	•	

Millimeter dimensions are in parentheses ().
^a Requires heavy-duty panel supports.
^b Fits in top half or bottom half of enclosure.

TYPE 12 FREE-STANDING ENCLOSURES ACCESSORY SELECTION

(See Accessories for Details)

Panels

Catalog Number

Steel	Conductive	Description	Panel Size	Two-Door Single-Access Enclosures							Two-Door Dual Access Enclosures								
				A604818FSD	A724818FSD	A726018FSD	A727218FSD	A904820FSD	A907220FSD	A724824FSD	A726024FSD	A727224FSD	A907224FSD	A726036FSD	A907236FSD	A724824FSDAD	A726024FSDAD	A727224FSDAD	A907224FSDAD
A60P24F1	A60P24F1G	Full Panel	48.00 x 20.00 (1219 x 508)	• ^b	• ^{a,b}			• ^{a,b}	• ^{a,b}					• ^{a,b}					
A60P24F2	A60P24F2G	Half Panel	24.88 x 20.00 (632 x 508)	• ^b	• ^{a,b}			• ^{a,b}	• ^{a,b}					• ^{a,b}					
A72P24F1	A72P24F1G	Full Panel	60.00 x 20.00 (1524 x 508)		• ^b			• ^{a,b}	• ^b					• ^b					
A72P24F2	A72P24F2G	Half Panel	30.88 x 20.00 (784 x 508)	• ^{a,b}	• ^b			• ^{a,b}	• ^b					• ^b					
A90P24F1	A90P24F1G	Full Panel	78.00 x 20.00 (1981 x 508)					• ^b											
A90P24F2	A90P24F2G	Half Panel	39.00 x 20.00 (1013 x 508)	• ^{a,b}	• ^{a,b}			• ^b	• ^{a,b}					• ^{a,b}					
A72P30F1	A72P30F1G	Full Panel	60.00 x 26.00 (1524 x 660)			• ^b				• ^b			• ^b			• ^b			• ^b
A72P30F2	A72P30F2G	Half Panel	30.88 x 26.00 (784 x 660)			• ^b				• ^b			• ^b			• ^b			• ^b
A60P36F1	A60P36F1G	Full Panel	48.00 x 32.00 (1219 x 813)			• ^{a,b}		• ^{a,b}	• ^{a,b}	• ^{a,b}	• ^{a,b}	• ^{a,b}	• ^{a,b}	• ^{a,b}		• ^{a,b}	• ^{a,b}	• ^{a,b}	• ^{a,b}
A60P36F2	A60P36F2G	Half Panel	24.88 x 32.00 (632 x 813)			• ^{a,b}		• ^{a,b}	• ^{a,b}	• ^{a,b}	• ^{a,b}	• ^{a,b}	• ^{a,b}	• ^{a,b}		• ^{a,b}	• ^{a,b}	• ^{a,b}	• ^{a,b}
A72P36F1	A72P36F1G	Full Panel	60.00 x 32.00 (1524 x 813)			• ^b		• ^{a,b}	• ^{a,b}	• ^b	• ^{a,b}	• ^{a,b}	• ^{a,b}	• ^{a,b}		• ^b	• ^{a,b}	• ^{a,b}	• ^{a,b}
A72P36F2	A72P36F2G	Half Panel	30.88 x 32.00 (784 x 813)			• ^b	• ^a	• ^{a,b}	• ^{a,b}	• ^b	• ^{a,b}	• ^{a,b}	• ^{a,b}	• ^{a,b}		• ^b	• ^{a,b}	• ^{a,b}	• ^{a,b}
A90P36F1	A90P36F1G	Full Panel	78.00 x 32.00 (1981 x 813)					• ^b		• ^b		• ^b	• ^b			• ^b		• ^b	• ^b
A90P36F2	A90P36F2G	Half Panel	39.88 x 32.00 (1013 x 813)			• ^{a,b}		• ^b		• ^{a,b}	• ^b	• ^{a,b}	• ^{a,b}	• ^{a,b}		• ^{a,b}	• ^b	• ^{a,b}	• ^{a,b}

Swing-Out Panels

Catalog No.	Description	Panel Size	A604818FSD	A724818FSD	A726018FSD	A727218FSD	A904820FSD	A907220FSD	A724824FSD	A726024FSD	A727224FSD	A907224FSD	A726036FSD	A907236FSD	A724824FSDAD	A726024FSDAD	A727224FSDAD	A907224FSDAD	A726036FSDAD
A72SP24F3	Full Panel	60.00 x 18.81 (1524 x 478)		• ^b				• ^b							• ^b				
A72SP24F4	Half Panel ^b	30.88 x 18.81 (784 x 478)		• ^b				• ^b							• ^b				
A72AP30F3	Full Panel	60.00 x 24.81 (1524 x 630)			• ^b			• ^b		• ^b					• ^b				• ^b
A72AP30F4	Half Panel ^b	30.88 x 24.81 (784 x 630)			• ^b			• ^b		• ^b					• ^b				• ^b
A72SP36F3	Full Panel	60.00 x 30.81 (1524 x 783)			• ^b			• ^b		• ^b					• ^b			• ^b	• ^b
A72SP36F4	Half Panel ^b	30.88 x 30.81 (784 x 783)			• ^b			• ^b		• ^b					• ^b			• ^b	• ^b
A90SP36F3	Full Panel	78.00 x 30.81 (1981 x 783)					• ^b			• ^b			• ^b					• ^b	• ^b
A90SP36F4	Half Panel ^b	39.88 x 30.81 (1013 x 783)					• ^b			• ^b			• ^b					• ^b	• ^b

Side-Mount Panels

Steel	Conductive	Description	Panel Size	A604818FSD	A724818FSD	A726018FSD	A727218FSD	A904820FSD	A907220FSD	A724824FSD	A726024FSD	A727224FSD	A907224FSD	A726036FSD	A907236FSD	A724824FSDAD	A726024FSDAD	A727224FSDAD	A907224FSDAD	A726036FSDAD
A60SMP14	A60SMP14G	14 Wide Panel (356)	48.00 x 14.00 (1219 x 356)	• ^d																
A72SMP14	A72SMP14G	14 Wide Panel (356)	60.00 x 14.00 (1524 x 356)		• ^d	• ^d	• ^d		•	•	•	•	•	•	•	•	•	•	•	•
A90SMP14	A90SMP14G	14 Wide Panel (356)	78.00 x 14.00 (1981 x 356)					•	•											
A72SMP20	A72SMP20G	20 Wide Panel (508)	60.00 x 20.00 (1524 x 508)					• ^d	• ^d	• ^d										
A90SMP20	A90SMP20G	20 Wide Panel (508)	78.00 x 20.00 (1981 x 508)							• ^d										

Heavy-Duty Panel Supports

Catalog No.	Description	Panel Size	A604818FSD	A724818FSD	A726018FSD	A727218FSD	A904820FSD	A907220FSD	A724824FSD	A726024FSD	A727224FSD	A907224FSD	A726036FSD	A907236FSD	A724824FSDAD	A726024FSDAD	A727224FSDAD	A907224FSDAD	A726036FSDAD	
A60FSHDPS	2 Full-Length	57.25 (1454)	• ^b																	
A72FSHDPS	Panel	69.25 (1759)		• ^b	• ^b	• ^b		• ^b	• ^b	• ^b		• ^b	• ^b	• ^b	• ^b	• ^b	• ^b	• ^b	• ^b	• ^b
A90FSHDPS	Supports	87.25 (2216)				• ^b	• ^b				• ^b	• ^b	• ^b	• ^b	• ^b	• ^b	• ^b	• ^b	• ^b	• ^b

Millimeter dimensions are in parentheses ().

^a Requires heavy-duty panel supports.

^b Requires center panel supports.

^c Fits in top half or bottom half of enclosure.

^d Will not fit if other panels are also installed in the same enclosure.



TYPE 12 FREE-STANDING ENCLOSURES ACCESSORY SELECTION

(See Accessories for Details)

Panels

Catalog Number

				Single-Door Single-Access Enclosures										Single-Door Dual Access Enclosures											
				A602418FS	A722418FS	A723018FS	A723618FS	A902420FS	A903620FS	A603624FS	A722424FS	A723024FS	A723624FS	A903624FS	A723630FS	A723636FS	A903636FS	A722424FSDA	A723024FSDA	A723624FSDA	A903624FSDA	A722430FSDA	A722436FSDA	A723636FSDA	A903636FSDA
Steel	Conductive	Description	Panel Size																						
A60P48F1	A60P48F1G	Full Panel	48.00 x 44.00 (1219 x 1118)																						
A72P48F1	A72P48F1G	Full Panel	60.00 x 44.00 (1524 x 1118)																						
A72P48F2	A72P48F2G	Half Panel	30.88 x 44.00 (784 x 1118)																						
A90P48F1	A90P48F1G	Full Panel	78.00 x 44.00 (1981 x 1118)																						
A90P48F2	A90P48F2G	Half Panel	39.88 x 44.00 (1013 x 1118)																						
A72P60F1	A72P60F1G	Full Panel	60.00 x 56.00 (1524 x 1422)																						
A72P60F2	A72P60F2G	Half Panel	30.88 x 56.00 (784 x 1422)																						
A72P72F1	A72P72F1G	Full Panel	60.00 x 68.00 (1524 x 1727)																						
A72P72F2	A72P72F2G	Half Panel	30.88 x 68.00 (784 x 1727)																						
A90P72F1	A90P72F1G	Full Panel	78.00 x 68.00 (1981 x 1727)																						
A90P72F2	A90P72F2G	Half Panel	39.88 x 68.00 (1013 x 1727)																						

Center Panel Supports

Catalog No.	Description																								
A60FSCPS	Center Panel Support																								
A72FSCPS	Center Panel Support																								
A90FSCPS	Center Panel Support																								

Clamping Nuts

Catalog No.	Description																								
APS1420CN	1/4-20 Clamping Nut (Qty. 20) for special use	•	•	•	•	•	•	•	•	•	•	•	•	•	•	•	•	•	•	•	•	•	•	•	
APS51616CN	1/4-18 Clamping Nut (Qty. 20) for special use	•	•	•	•	•	•	•	•	•	•	•	•	•	•	•	•	•	•	•	•	•	•	•	

Casters

Catalog No.	Description	Size																							
DMCKC	Set of 4 Casters	4 high x 3 diameter	•	•	•	•	•	•	•	•	•	•	•	•	•	•	•	•	•	•	•	•	•	•	

Millimeter dimensions are in parentheses ().

**TYPE 12 FREE-STANDING ENCLOSURES
ACCESSORY SELECTION**

(See Accessories for Details)

Panels

Catalog Number

Steel	Conductive	Description	Panel Size	Two-Door Single-Access Enclosures							Two-Door Dual Access Enclosures								
				A604818FSD	A724818FSD	A726018FSD	A727218FSD	A904820FSD	A907220FSD	A724824FSD	A726024FSD	A727224FSD	A907224FSD	A726036FSD	A907236FSD	A724824FSDAD	A726024FSDAD	A727224FSDAD	A907224FSDAD
A60P48F1	A60P48F1G	Full Panel	48.00 x 44.00 (1219 x 1118)	•	• ^a			• ^a	• ^a						• ^a				
A72P48F1	A72P48F1G	Full Panel	60.00 x 44.00 (1524 x 1118)		•			• ^a	• ^a						•				
A72P48F2	A72P48F2G	Half Panel	30.88 x 44.00 (784 x 1118)	• ^a	•			• ^a	•						•				
A90P48F1	A90P48F1G	Full Panel	78.00 x 44.00 (1981 x 1118)					•	•										
A90P48F2	A90P48F2G	Half Panel	39.88 x 44.00 (1013 x 1118)		• ^a			•	•						• ^a				
A72P60F1	A72P60F1G	Full Panel	60.00 x 56.00 (1524 x 1422)				•												•
A72P60F2	A72P60F2G	Half Panel	30.88 x 56.00 (784 x 1422)			•													•
A72P72F1	A72P72F1G	Full Panel	60.00 x 68.00 (1524 x 1727)					• ^a	• ^a			•	• ^a		• ^a				• ^a
A72P72F2	A72P72F2G	Half Panel	30.88 x 68.00 (784 x 1727)				•	• ^a	• ^a			•	• ^a		• ^a	• ^a			• ^a
A90P72F1	A90P72F1G	Full Panel	78.00 x 68.00 (1981 x 1727)					•	•						•				•
A90P72F2	A90P72F2G	Half Panel	39.88 x 68.00 (1013 x 1727)				• ^a	•	•			• ^a	•		•				• ^a

Center Panel Supports

Catalog No.	Description	A604818FSD	A724818FSD	A726018FSD	A727218FSD	A904820FSD	A907220FSD	A724824FSD	A726024FSD	A727224FSD	A907224FSD	A726036FSD	A907236FSD	A724824FSDAD	A726024FSDAD	A727224FSDAD	A907224FSDAD	A726036FSDAD	
A60FSCPS	Center Panel Support	•																	
A72FSCPS	Center Panel Support		•																
A90FSCPS	Center Panel Support					•	•												

Clamping Nuts

Catalog No.	Description	A604818FSD	A724818FSD	A726018FSD	A727218FSD	A904820FSD	A907220FSD	A724824FSD	A726024FSD	A727224FSD	A907224FSD	A726036FSD	A907236FSD	A724824FSDAD	A726024FSDAD	A727224FSDAD	A907224FSDAD	A726036FSDAD	
APS1420CN	1/4-20 Clamping Nut (Qty. 20) for special use	•	•	•	•	•	•	•	•	•	•	•	•	•	•	•	•	•	•
APS51616CN	1/4-18 Clamping Nut (Qty. 20) for special use	•	•	•	•	•	•	•	•	•	•	•	•	•	•	•	•	•	•

Casters

Catalog No.	Description	Size	A604818FSD	A724818FSD	A726018FSD	A727218FSD	A904820FSD	A907220FSD	A724824FSD	A726024FSD	A727224FSD	A907224FSD	A726036FSD	A907236FSD	A724824FSDAD	A726024FSDAD	A727224FSDAD	A907224FSDAD	A726036FSDAD
DMCKC	Set of 4 Casters	4 high x 3 diameter	•	•	•	•	•	•	•	•	•	•	•	•	•	•	•	•	•

Millimeter dimensions are in parentheses ().
^a Requires heavy-duty panel supports.



**TYPE 12 FREE-STANDING ENCLOSURES
ACCESSORY SELECTION**

(See Accessories for Details)

**Rack-Mount Angles L-Style (Type RP)
for 19- and 24-in. Equipment**

Catalog No.	Description	For Rack Size	No. Units ^a	Angle Length
A60RP24F5	2 Full-Length Angles	19 (483)	28	49.00 (1245)
A60RP24F6	2 Half-Length Angles	19 (483)	15	26.25 (677)
A72RP24F5	2 Full-Length Angles	19 (483)	35	61.25 (1556)
A72RP24F6	2 Half-Length Angles	19 (483)	18	31.50 (800)
A90RP24F5	2 Full-Length Angles	19 (483)	45	78.75 (2000)
A90RP24F6	2 Half-Length Angles	19 (483)	23	40.25 (1022)
A72RP30F5	2 Full-Length Angles	24 (610)	35	61.25 (1556)
A72RP30F6	2 Half-Length Angles	24 (610)	18	31.50 (800)

Two-Door Single-Access Enclosures										Two-Door Dual Access Enclosures						
A604818FSD	A724818FSD	A726018FSD	A727218FSD	A904820FSD	A907220FSD	A724824FSD	A726024FSD	A727224FSD	A907224FSD	A726036FSD	A907236FSD	A724824FSDAD	A726024FSDAD	A727224FSDAD	A907224FSDAD	A726036FSDAD
• ^b	• ^b			• ^b	• ^b							• ^b				
• ^b				• ^b		• ^b						• ^b				
• ^b	• ^b			• ^b		• ^b						• ^b				
• ^b	• ^b			• ^b		• ^b						• ^b				
		• ^b					• ^b			• ^b			• ^b			• ^b
		• ^b					• ^b			• ^b			• ^b			• ^b

Rack Mounting Angles U-Style (Type RA) for 19- and 24-in. Equipment

Catalog No.	Description	For Rack Size	No. Units ^a	Angle Length
A60RA19TH	2 Full-Length Angles	19 (483)	28	49.00 (1245)
A72RA19TH	2 Full-Length Angles	19 (483)	35	61.25 (1556)
A90RA19TH	2 Full-Length Angles	19 (483)	45	78.75 (2000)
A72RA24TH	2 Full-Length Angles	24 (610)	35	61.25 (1556)

• ^b	• ^b			• ^b	• ^b					• ^b						
	• ^b			• ^b	• ^b							• ^b				
				• ^b												
		• ^b					• ^b			• ^b						• ^b

Clip Nut Package

Catalog No.	Description	Size	Fits
AN1032	Clip Nut (Pkg. 20)	#10-32 Zinc Plated	RA Type Mnt. Angles

•	•	•	•	•	•	•	•	•	•	•	•	•	•	•	•	•
---	---	---	---	---	---	---	---	---	---	---	---	---	---	---	---	---

19-in. Swing-Out Rack Mounting Frames

Catalog No.	Description	For Rack Size	No. Units ^a	Angle Length
A7230S0F19	Full Swing-Out Frame	19 (483)	33	57.88 (1470)
A7236S0F19	Full Swing-Out Frame	19 (483)	33	57.88 (1470)
A9036S0F19	Full Swing-Out Frame	19 (483)	43	75.36 (1915)

		• ^b				• ^b			• ^b			• ^b			• ^b	• ^b
			• ^b					• ^b		• ^b				• ^b		• ^b
				• ^b				• ^b		• ^b		• ^b			• ^b	• ^b

Millimeter dimensions are in parentheses ().
^a Will not fit if other panels are also installed in same enclosure.
^b Requires heavy-duty panel supports



FREE-STAND, MULTI-DOOR, TYPE 12

SPECIFICATIONS

- .121-in. steel
- Seams continuously welded and ground smooth; no holes or knockouts
- Heavy steel back stiffeners maintain flatness and increase rigidity
- Heavy-duty lifting eyes anchored into reinforced top
- Overlapping, gasketed openings on two-door centerposts
- At two-door openings, gasketed overlapping doors eliminate need for centerposts
- Three-point latches operated by padlocking handle
- Latch rod rollers for easy door closing
- Concealed, easy-to-remove hinges
- Mechanical interlock standard on each enclosure with right-hand door serving as master door; doors can be closed in any order
- Panel supports
- Large data pocket is high-impact thermoplastic
- Oil-resistant door gasket
- Panel mounting studs
- Available with panels included or panels purchased separately
- Bonding provision on doors
- Provisions for mounting fluorescent lights

FINISH

Two finishes available: ANSI 61 gray, polyester paint outside and inside; or ANSI 61 polyester paint outside and white polyester paint inside.

ACCESSORIES

See also *Accessories*.
 Blower Fan Package
 Industrial Corrosion Inhibitors
 Electric Heater
 Electrical Interlocks
 INTERSAFE™ Data Interface Ports, Type 4/4X/12
 PANELITE™ Enclosure Lights Overview

MODIFICATION AND CUSTOMIZATION

Hoffman excels at modifying and customizing products to your specifications. Contact your local Hoffman sales office or distributor for complete information.

BULLETIN: A27

INDUSTRY STANDARDS

UL 508A Listed; Type 12; File No. E61997
 cUL Listed per CSA C22.2 No 94; Type 12; File No. E61997

NEMA/EEMAC Type 12
 CSA, File No. 42186, Type 12
 IEC 60529, IP55

APPLICATION

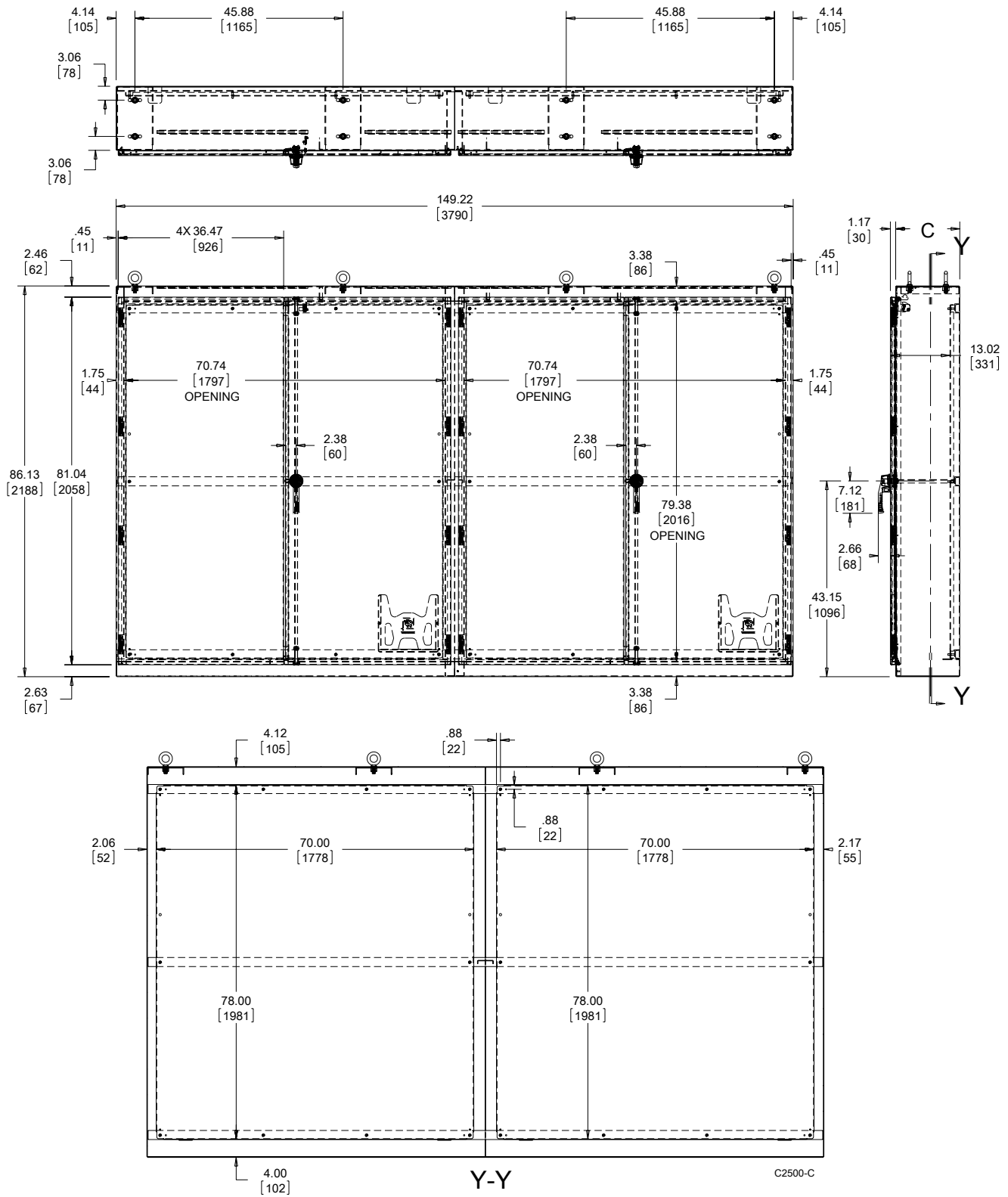
Enclosures are available with three, four or five doors for housing larger control systems in industrial environments.

Standard Product

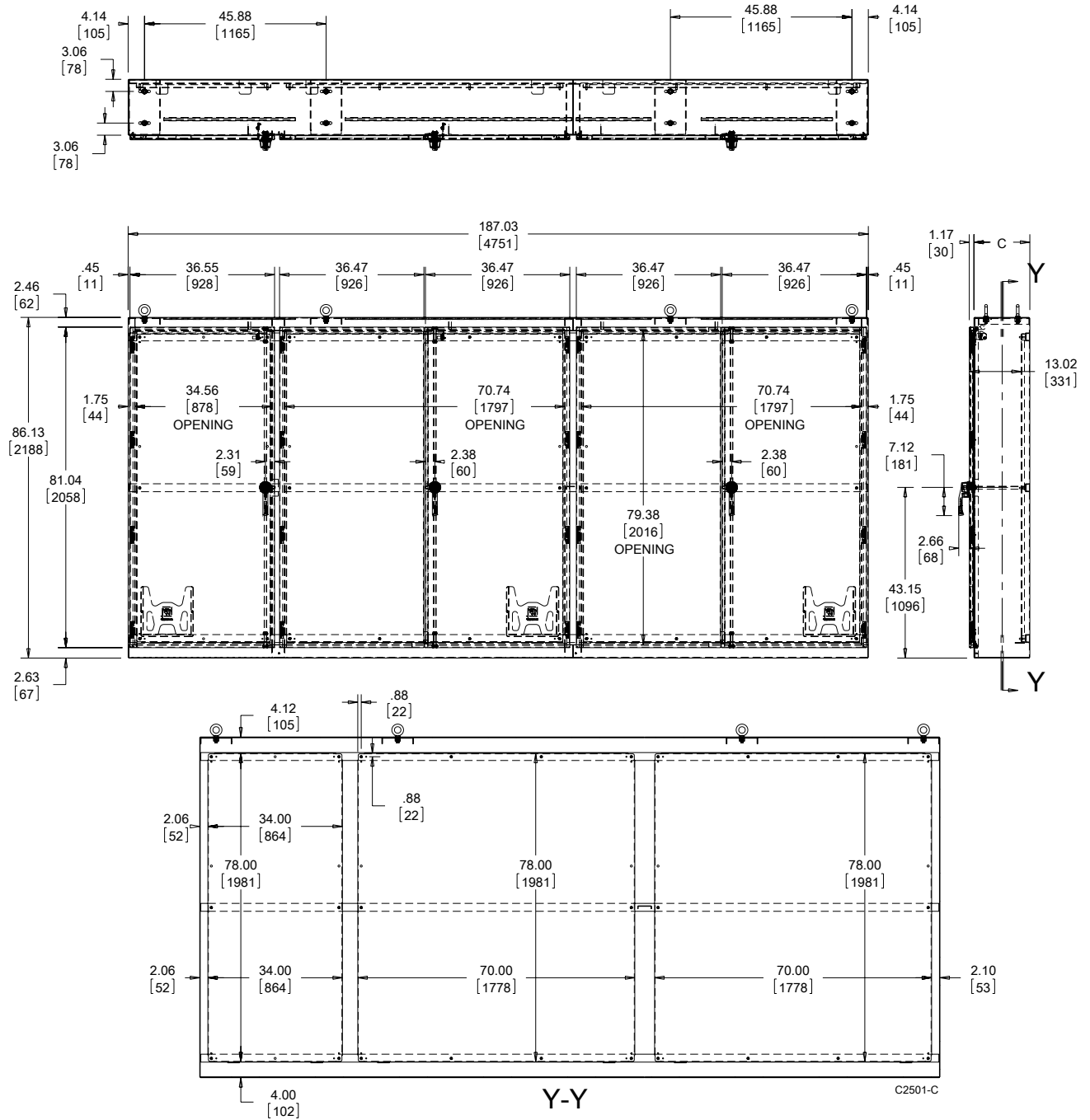
Catalog Number	AxBxC in.	AxBxC mm	Interior Finish	Number of Doors	Number of Large Panels	Size of Large Panels (in.)	Size of Large Panels (mm)	Number of Small Panels	Size of Small Panels (in.)	Size of Small Panels (mm)	Number of Lifting Eyes
A86M3EG	86.12 x 112.00 x 14.12	2187 x 2845 x 359	Gray	3	1	78.00 x 70.00	1981 x 1778	1	78.00 x 34.00	1981 x 864	4
A86M3E	86.12 x 112.00 x 14.12	2187 x 2845 x 359	White	3	1	78.00 x 70.00	1981 x 1778	1	78.00 x 34.00	1981 x 864	4
A86M3ELPG	86.12 x 112.00 x 14.12	2187 x 2845 x 359	Gray	3	—	—	—	—	—	—	4
A86M3ELP	86.12 x 112.00 x 14.12	2187 x 2845 x 359	White	3	—	—	—	—	—	—	4
A86M4EG	86.12 x 149.19 x 14.12	2187 x 3789 x 359	Gray	4	2	78.00 x 70.00	1981 x 1778	—	—	—	8
A86M4E	86.12 x 149.19 x 14.12	2187 x 3789 x 359	White	4	2	78.00 x 70.00	1981 x 1778	—	—	—	8
A86M4ELPG	86.12 x 149.19 x 14.12	2187 x 3789 x 359	Gray	4	—	—	—	—	—	—	8
A86M4ELP	86.12 x 149.19 x 14.12	2187 x 3789 x 359	White	4	—	—	—	—	—	—	8
A86M5EG	86.12 x 187.00 x 14.12	2187 x 4750 x 359	Gray	5	2	78.00 x 70.00	1981 x 1778	1	78.00 x 34.00	1981 x 864	8
A86M5E	86.12 x 187.00 x 14.12	2187 x 4750 x 359	White	5	2	78.00 x 70.00	1981 x 1778	1	78.00 x 34.00	1981 x 864	8
A86M5ELPG	86.12 x 187.00 x 14.12	2187 x 4750 x 359	Gray	5	—	—	—	—	—	—	8
A86M5ELP	86.12 x 187.00 x 14.12	2187 x 4750 x 359	White	5	—	—	—	—	—	—	8
A86M3E20G	86.12 x 112.00 x 20.12	2187 x 2845 x 511	Gray	3	1	78.00 x 70.00	1981 x 1778	1	78.00 x 34.00	1981 x 864	4
A86M3E20	86.12 x 112.00 x 20.12	2187 x 2845 x 511	White	3	1	78.00 x 70.00	1981 x 1778	1	78.00 x 34.00	1981 x 864	4
A86M3E20LPG	86.12 x 112.00 x 20.12	2187 x 2845 x 511	Gray	3	—	—	—	—	—	—	4
A86M3E20LP	86.12 x 112.00 x 20.12	2187 x 2845 x 511	White	3	—	—	—	—	—	—	4
A86M4E20G	86.12 x 149.19 x 20.12	2187 x 3789 x 511	Gray	4	2	78.00 x 70.00	1981 x 1778	—	—	—	8
A86M4E20	86.12 x 149.19 x 20.12	2187 x 3789 x 511	White	4	2	78.00 x 70.00	1981 x 1778	—	—	—	8
A86M4E20LPG	86.12 x 149.19 x 20.12	2187 x 3789 x 511	Gray	4	—	—	—	—	—	—	8
A86M4E20LP	86.12 x 149.19 x 20.12	2187 x 3789 x 511	White	4	—	—	—	—	—	—	8
A86M5E20G	86.12 x 187.00 x 20.12	2187 x 4750 x 511	Gray	5	2	78.00 x 70.00	1981 x 1778	1	78.00 x 34.00	1981 x 864	8
A86M5E20	86.12 x 187.00 x 20.12	2187 x 4750 x 511	White	5	2	78.00 x 70.00	1981 x 1778	1	78.00 x 34.00	1981 x 864	8
A86M5E20LPG	86.12 x 187.00 x 20.12	2187 x 4750 x 511	Gray	5	—	—	—	—	—	—	8
A86M5E20LP	86.12 x 187.00 x 20.12	2187 x 4750 x 511	White	5	—	—	—	—	—	—	8

Panels are furnished with enclosure. Removable panel not included with models ending in LP.

Four-Door Enclosure



Five-Door Enclosure



FREE-STAND, TYPE 4

INDUSTRY STANDARDS

 UL 508A Listed; Type 4, 12; File No. E61997
 cUL Listed per CSA C22.2 No. 94; Type 4, 12; File No. E61997

 NEMA Type 3, 4, 12, 13
 CSA, File No. 42186, Type 4, 12
 E.I.A. RS310D
 IEC 60529, IP66

Standard Product

Catalog Number	AxBxC in./mm	X in./mm	Number of Rack Units
A72H2518FS	72.06 x 25.06 x 18.06	6.38	35
	1830 x 637 x 459	162	
A72H3124FS	72.06 x 31.06 x 24.06	8.38	35
	1830 x 789 x 611	213	
A72H3724FS	72.06 x 37.06 x 24.06	10.38	35
	1830 x 941 x 611	264	

APPLICATION

These enclosures are ideal for mounting equipment on panels or racks in indoor or outdoor applications where it is necessary to protect controls and instrumentation from wet, non-corrosive environments.

SPECIFICATIONS

- 12 gauge steel
- Seams continuously welded and ground smooth; no holes or knockouts
- Internal mounting channels welded horizontally at top, bottom and center
- Panels and rack-mounting angles can be mounted anywhere along channels
- Return flange around three sides of door and along enclosure opening excludes liquids and contaminants
- Stainless steel door clamps assure water-tight seal
- Hasp and staple provided for padlocking
- Data pocket is high-impact thermoplastic
- Lifting eyes for easy handling
- Oil-resistant door gasket
- Bonding provision on door
- Provision for mounting fluorescent light

FINISH

ANSI 61 gray polyester powder paint inside and out over pretreated surfaces. Optional panels have white or conductive finish.

ACCESSORIES

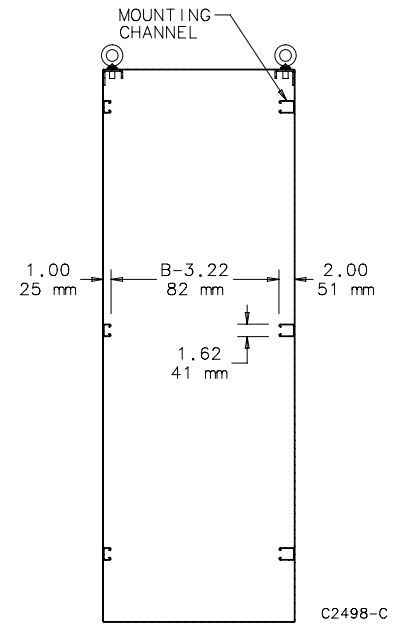
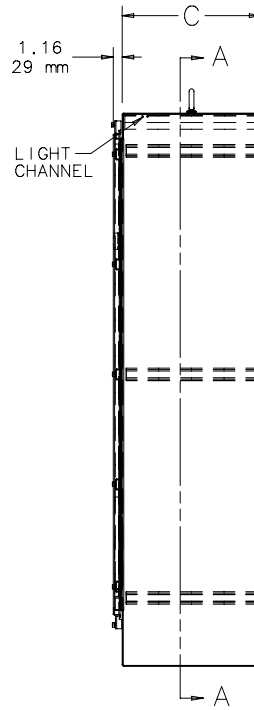
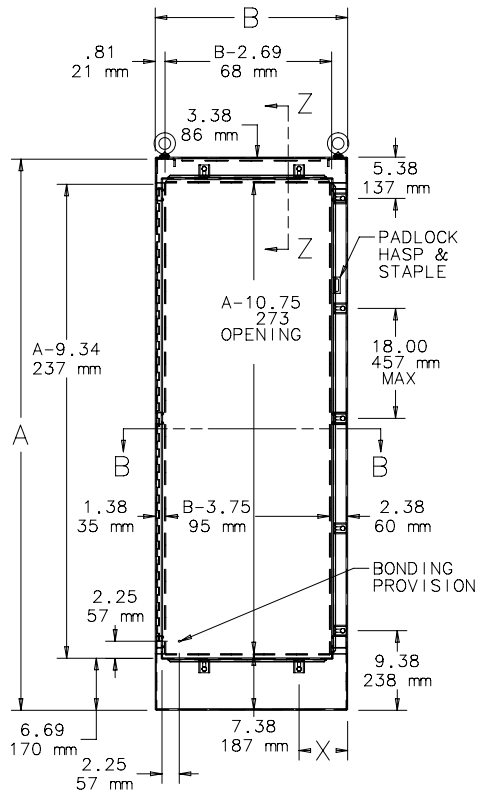
See also *Accessories*.

Industrial Corrosion Inhibitors
 PANELITE™ Enclosure Lights Overview
 Panel Support Kit
 Rack Mounting Angles - U Style (Type RA)
 Rack Panels

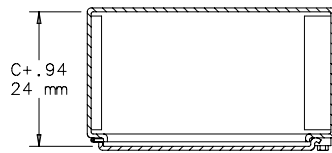
MODIFICATION AND CUSTOMIZATION

Hoffman excels at modifying and customizing products to your specifications. Contact your local Hoffman sales office or distributor for complete information.

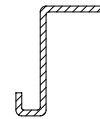
BULLETIN: A4L



SECTION A-A



SECTION B-B



SECTION Z-Z



FREE-STAND WITH 3-POINT LATCH, TYPE 4



E.I.A. RS310D
IEC 60529, IP66

APPLICATION

These enclosures are ideal for mounting equipment on panels or racks in indoor or outdoor applications where it is necessary to protect controls and instrumentation from wet, non-corrosive environments. The design features Hoffman's exclusive POWERGLIDE™ Handle with 3-point latching for secure closure.

FEATURES

- 3-point latch for security and ease of use
- Mounting channels accommodate panel or rack-mount equipment
- Panels and rack mount angles can be mounted anywhere along channels
- Rolled flange around door opening excludes liquids and contaminants
- Lifting eyes for easy handling

SPECIFICATIONS

- 12 gauge steel
- 3-point latch system with POWERGLIDE® handle
- Seams continuously welded and ground smooth; no holes or knockouts
- Mounting channels welded horizontally to interior body sides at top, bottom and center
- Heavy-gauge continuous hinge with stainless steel hinge pin
- Data pocket is high-impact thermoplastic
- Lifting eyes
- Oil-resistant door gasket
- Bonding provision on door
- Provision for mounting fluorescent light

FINISH

ANSI 61 gray polyester powder paint inside and out over pretreated surfaces. Optional panels have either a white or a conductive finish.

ACCESSORIES

See also Accessories.

- Drawers
- INTERSAFE™ Data Interface Ports, Type 4/4X/12
- PANELITE™ Enclosure Lights Overview
- Pull-Out Shelves
- Rack Mounting Angles - U Style (Type RA)
- Swing-Out Panels for Free-Stand Type 4, 4X and 12 Enclosures with Mounting Channel

MODIFICATION AND CUSTOMIZATION

Hoffman excels at modifying and customizing products to your specifications. Contact your local Hoffman sales office or distributor for complete information.

BULLETIN: A4L3

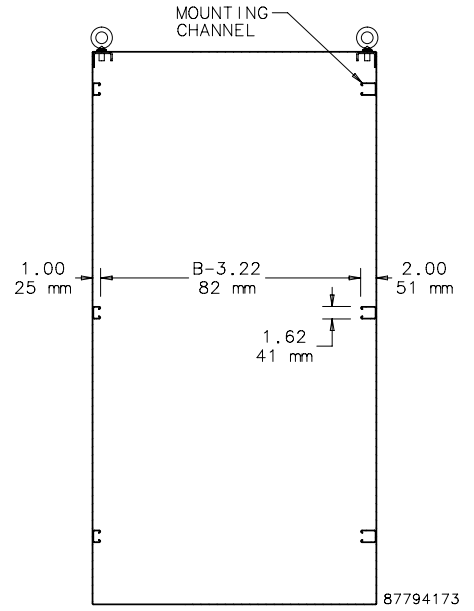
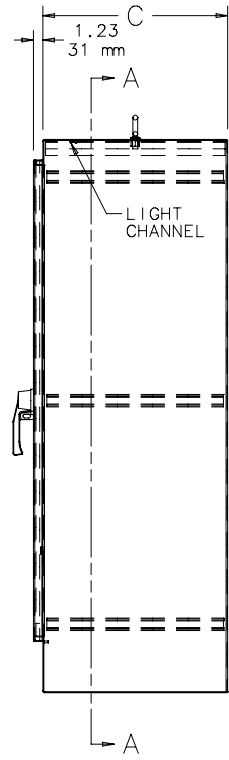
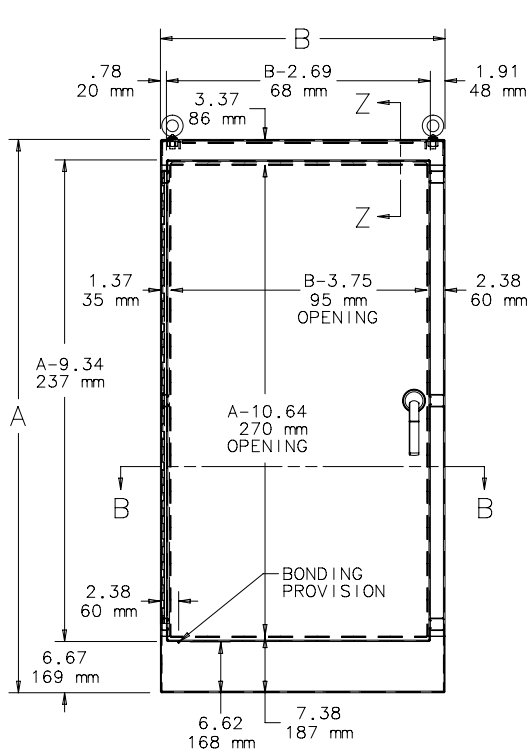
INDUSTRY STANDARDS

UL 508A Listed; Type 4, 12; File No. E61997
cUL Listed per CSA C22.2 No. 94; Type 4, 12; File No. E61997

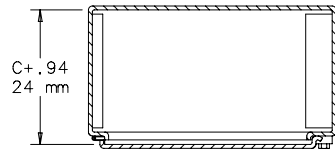
NEMA Type 3, 4, 12, 13

Standard Product

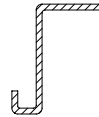
Catalog Number	AxBxC in./mm	Rack Units
A72H2518FS3PT	72.06 x 25.06 x 18.06 1830 x 637 x 459	35
A72H3124FS3PT	72.06 x 31.06 x 24.06 1830 x 789 x 611	35
A72H3724FS3PT	72.06 x 37.06 x 24.06 1830 x 941 x 611	35



SECTION A-A



SECTION B-B



SECTION Z-Z



FREE-STAND TYPE 4 ACCESSORIES

BULLETIN: A80, D10, PNL30, PNLFS

Panels

Catalog Number	Description	Panel Size (in.)	Panel Size (mm)	Use With
A60P24F1	Full Panel, Mild Steel	48.00 x 20.00	1219 x 508	A72H2518FS ⁹
A60P24F1G	Full Panel, Conductive	48.00 x 20.00	1219 x 508	A72H2518FS ⁹
A60P24F2	Half Panel, Mild Steel	24.88 x 20.00	632 x 508	A72H2518FS ⁹
A60P24F2G	Half Panel, Conductive	24.88 x 20.00	632 x 508	A72H2518FS ⁹
A72P24F1	Full Panel, Mild Steel	60.00 x 20.00	1524 x 508	A72H2518FS
A72P24F1G	Full Panel, Conductive	60.00 x 20.00	1524 x 508	A72H2518FS
A72P24F2	Half Panel, Mild Steel	30.88 x 20.00	784 x 508	A72H2518FS
A72P24F2G	Half Panel, Conductive	30.88 x 20.00	784 x 508	A72H2518FS
A90P24F2	Half Panel, Mild Steel	39.88 x 20.00	1013 x 508	A72H2518FS ⁹
A90P24F2G	Half Panel, Conductive	39.88 x 20.00	1013 x 508	A72H2518FS ⁹
A72P30F1	Full Panel, Mild Steel	60.00 x 26.00	1525 x 661	A72H3124FS
A72P30F1G	Full Panel, Conductive	60.00 x 26.00	1525 x 661	A72H3124FS
A72P30F2	Half Panel, Mild Steel	30.88 x 26.00	784 x 660	A72H3124FS
A72P30F2G	Half Panel, Conductive	30.88 x 26.00	784 x 660	A72H3124FS
A60P36F1	Full Panel, Mild Steel	48.00 x 32.00	1219 x 813	A72H3724FS ⁹
A60P36F1G	Full Panel, Conductive	48.00 x 32.00	1219 x 813	A72H3724FS ⁹
A60P36F2	Half Panel, Mild Steel	24.88 x 32.00	632 x 813	A72H3724FS ⁹
A60P36F2G	Half Panel, Conductive	24.88 x 32.00	632 x 813	A72H3724FS ⁹
A72P36F1	Full Panel, Mild Steel	60.00 x 32.00	1524 x 813	A72H3724FS
A72P36F1G	Full Panel, Conductive	60.00 x 32.00	1524 x 813	A72H3724FS
A72P36F2	Half Panel, Mild Steel	30.88 x 32.00	784 x 813	A72H3724FS
A72P36F2G	Half Panel, Conductive	30.88 x 32.00	784 x 813	A72H3724FS
A90P36F2	Half Panel, Mild Steel	39.88 x 32.00	1013 x 813	A72H3724FS ⁹
A90P36F2G	Half Panel, Conductive	39.88 x 32.00	1013 x 813	A72H3724FS ⁹

⁹Requires heavy duty panel support.

Swing-Out Panels

Catalog Number	Description	Panel Size (in.)	Panel Size (mm)	Use With
A72SP24F3	Full Panel	60.00 x 18.81	1524 x 478	A72H2518FS
A72SP24F4	Half Panel	30.88 x 18.81	784 x 478	A72H2518FS
A72SP30F3	Full Panel	60.00 x 24.81	1524 x 630	A72H3124FS
A72SP30F4	Half Panel	30.88 x 24.81	784 x 630	A72H3124FS
A72SP36F3	Full Panel	60.00 x 30.81	1524 x 783	A72H3724FS
A72SP36F4	Half Panel	30.88 x 33.81	784 x 859	A72H3724FS

Side-Mount Panels

Catalog Number	Description	Panel Size (in.)	Panel Size (mm)	Use With
A72SMP14	Side-Mount Panel	60.00 x 14.00	1524 x 356	A72H2518FS, A72H3124FS, A72H3724FS
A72SMP20	Side-Mount Panel	60.00 x 20.00	1524 x 508	A72H3124FS, A72H3724FS

Heavy Duty Panel Supports

Catalog Number	Description	Length (in.)	Length (mm)	Use With
A72FSHDPS	Two Full-Length Panel Supports	60.25	1759	A72H2518FS, A72H3124FS, A72H3724FS

Clamp Nuts

Catalog Number	Description	For	Use With
APS1420CN	1/4 - 20 Clamp Nut (Qty. 20)	Special Use	A72H2518FS, A72H3124FS, A72H3724FS
APS51618CN	5/16 - 18 Clamp Nut (Qty. 20)	Special Use	A72H2518FS, A72H3124FS, A72H3724FS

Casters

Catalog Number	Description	Size	Use With
DMCKC	Set of 4 Casters	4 high x 3 diameter	A72H2518FS, A72H3124FS, A72H3724FS

RACK-MOUNT ACCESSORIES

BULLETIN: A80, X20

Rack-Mount Angles L-Style (Type RP) for 19- and 24-in. Equipment

Catalog Number	Description	For Rack Size (in.)	For Rack Size (mm)	Angle Length (in.)	Angle Length (mm)	Number of Rack Units	Use With
A60RP24F5	Two Full-Length Angles	19.00	483	49.00	1245	28	A72H2518FS
A72RP24F5	Two Full-Length Angles	19.00	483	61.25	1556	35	A72H2518FS
A72RP24F6	Two Half-Length Angles	19.00	483	31.50	800	18	A72H2518FS
A72RP30F5	Two Full-Length Angles	24.00	610	61.25	1556	35	A72H3124FS
A72RP30F6	Two Half-Length Angles	24.00	610	31.50	800	18	A72H3124FS
A90RP24F5	Two Half-Length Angles	19.00	483	40.25	1022	23	A72H2518FS

Rack-Mount Angles U-Style (Type RA) for 19- and 24-in. Equipment

Catalog Number	Description	For Rack Size (in.)	For Rack Size (mm)	Angle Length (in.)	Angle Length (mm)	Number of Rack Units	Use With
A60RA19TH	Two Full-Length Angles	19.00	483	49.00	1245	28	A72H2518FS
A72RA19TH	Two Full-Length Angles	19.00	483	61.25	1556	35	A72H2518FS
A72RA24TH	Two Full-Length Angles	24.00	610	61.25	1556	35	A72H3124FS

Clip Nut Package

Catalog Number	Description	Size	Fits	Use With
AN1032	Plated (Qty. 20)	#10-32	"RA" Type Rack Mount Angles	A72H2518FS
ANM5	Plated (Qty. 20)	Metric M5	"RA" Type Rack Mount Angles	A72H3124FS

19-in. Swing-Out Rack-Mount Frame

Catalog Number	Description	For Rack Size (in.)	For Rack Size (mm)	Panel Space (in.)	Panel Space (mm)	Number of Rack Units	Use With
A7236S0F19	Full Swing-Out Frame	19	483	57.99	1470	33	A727218SSFSD A727224SSFSD

Screw Package

Catalog Number	Description	Size	Fits	Use With
AS1032	Nickel-plated (Qty. 20)	#10-32 x .75 Truss Head	RA and RP Type Rack-Mount Angles	A72H2518FS, A72H3124FS, A72H3724FS
ASM5	Nickel-plated (Qty. 20)	Pan head combination screw, M5	RA only	A72H2518FS, A72H3124FS, A72H3724FS

ADDITIONAL RACK-MOUNT ACCESSORIES

BULLETIN: P20

Writing Surface

Catalog Number	Description	Fits Drawer	Use With ^a
DL29WS	Hinged Surface	DL329DR, DL729DR	A72H2518FS

^aRequires two sets of U-style (type RA) rack-mount angles for installation.

24-in. Rack-Mount Shelves

Catalog Number	Description	For Rack Size (in.)	For Rack Size (mm)	Number of Rack Units	Use With ^a
DL29SHP	Pull-Out Shelf	24.00	610	1	A72H3124FS
DL29SH	Fixed Shelf	24.00	610	1	A72H3124FS

One rack unit = 1.75 in. (45 mm)

^aRequires two sets of U-style (type RA) rack-mount angles for installation.

Guides for Rack-Mount Equipment

Catalog Number	Description	Number of Rack Units	Use With ^a
AG1U6	Chassis Guides (2)	1	A72H3124FS

One rack unit = 1.75 in. (45 mm)

^aRequires two sets of U-style (type RA) rack-mount angles for installation.

19-in. Rack Panels

Catalog Number	Description	Rack Panel Size (in.)	Rack Panel Size (mm)	Rack Units	Use With ^a
P19RP1UA	Aluminum Rack Panel	19.00 x 1.75	483 x 44	1	A72H2518FS3PT, A72H3124FS3PT ^b , A72H2518FS3PT, A72H3124FS3PT ^b , A72H3724FS3PT
P19RP2UA	Aluminum Rack Panel	19.00 x 3.50	483 x 89	2	A72H2518FS3PT, A72H3124FS3PT ^b , A72H3724FS3PT
P19RP3UA	Aluminum Rack Panel	19.00 x 5.25	483 x 133	3	A72H2518FS3PT, A72H3124FS3PT ^b , A72H3724FS3PT
P19RP4UA	Aluminum Rack Panel	19.00 x 7.00	483 x 178	4	A72H2518FS3PT, A72H3124FS3PT ^b , A72H3724FS3PT
P19RP5UA	Aluminum Rack Panel	19.00 x 8.75	483 x 222	5	A72H2518FS3PT, A72H3124FS3PT ^b , A72H3724FS3PT
P19RP6UA	Aluminum Rack Panel	19.00 x 10.50	483 x 267	6	A72H2518FS3PT, A72H3124FS3PT ^b , A72H3724FS3PT
P19RP7UA	Aluminum Rack Panel	19.00 x 12.25	483 x 311	7	A72H2518FS3PT, A72H3124FS3PT ^b , A72H3724FS3PT
P19RP8UA	Aluminum Rack Panel	19.00 x 14.00	483 x 356	8	A72H2518FS3PT, A72H3124FS3PT ^b , A72H3724FS3PT
P19RP9UA	Aluminum Rack Panel	19.00 x 15.75	483 x 400	9	A72H2518FS3PT, A72H3124FS3PT ^b , A72H3724FS3PT
P19RP10UA	Aluminum Rack Panel	19.00 x 17.50	483 x 445	10	A72H2518FS3PT, A72H3124FS3PT ^b , A72H3724FS3PT
P19RP11UA	Aluminum Rack Panel	19.00 x 19.25	483 x 489	11	A72H2518FS3PT, A72H3124FS3PT ^b , A72H3724FS3PT
P19RP12UA	Aluminum Rack Panel	19.00 x 21.00	483 x 533	12	A72H2518FS3PT, A72H3124FS3PT ^b , A72H3724FS3PT
P24RP2UA	Aluminum Rack Panel	24.00 x 3.50	610 x 89	2	A72H3124FS3PT
P24RP3UA	Aluminum Rack Panel	24.00 x 5.25	610 x 133	3	A72H3124FS3PT
P24RP4UA	Aluminum Rack Panel	24.00 x 7.00	610 x 178	4	A72H3124FS3PT
P24RP8UA	Aluminum Rack Panel	24.00 x 14.00	610 x 356	8	

One rack unit = 1.75 in. (45 mm)

^aRequires swing-out rack mounting frame.

Notes



TWO-DOOR WITH FLOOR STANDS, TYPE 12

SPECIFICATIONS

- Seams continuously welded and ground smooth; no holes or knockouts
- Gasketed overlapping doors with no centerpost
- 3-point latch mechanism operated by oil-tight key-lock handle
- Latch rod rollers for easy door closing
- Concealed, easy-to-remove hinges
- Data pocket is high-impact thermoplastic
- 12-in. floor stands welded to enclosure
- Heavy-duty lifting eyes
- Panel supports
- Oil-resistant gasket
- Collar studs for mounting optional panel
- Bonding provision on door
- Provision for mounting fluorescent light

FINISH

Two finishes available: ANSI 61 gray, polyester powder paint outside and inside; or ANSI 61 gray outside and white, polyester powder paint inside. Optional panels available with a white or conductive finish.

ACCESSORIES

Blower Fan Package
 Drip Shield Kit for Type 12 Enclosures
 INTERSAFE™ Data Interface Ports, Type 4/4X/12
 PANELITE™ Enclosure Lights
 Hole Seals
 Window Kits
 See also the *Popular Cooling Products and Accessories tables following the Standard Product table*

MODIFICATION AND CUSTOMIZATION

Hoffman excels at modifying and customizing products to your specifications. Contact your local Hoffman sales office or distributor for complete information.

BULLETIN: A12L
INDUSTRY STANDARDS

UL 508A Listed; Type 12; File No. E61997
 cUL Listed per CSA C22.2 No. 94; Type 12; File No. E61997

NEMA/EEMAC Type 12
 CSA, File No. 42186, Type 12
 IEC 60529, IP55

APPLICATION

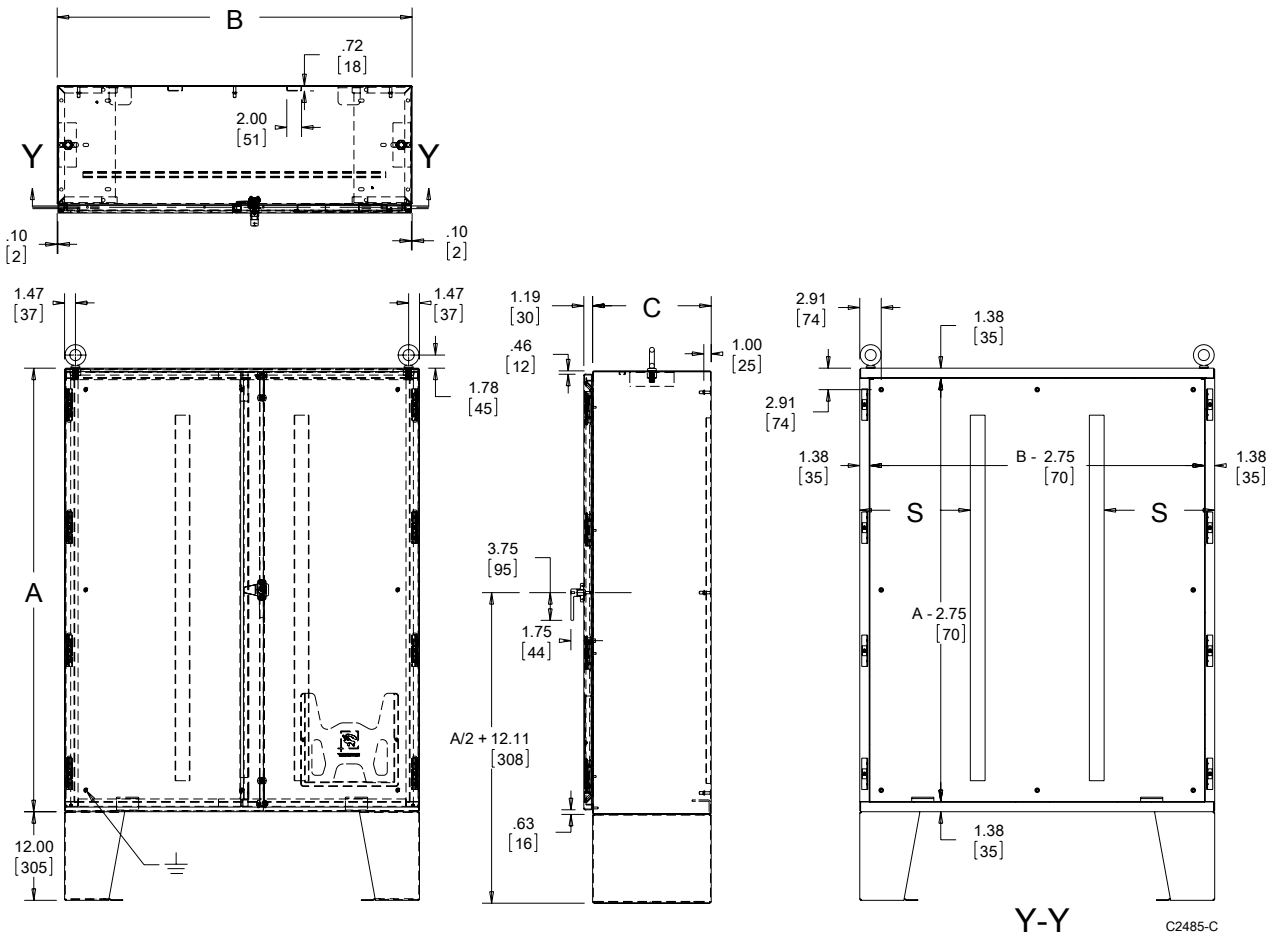
Enclosures have gasketed, overlapping doors to keep the elements at bay and floor stands that provide additional height and access for cleaning under the enclosure. Because there is no centerpost, it is simple to install and remove panels.

Standard Product

Catalog Number	AxBxC in.	AxBxC mm	Interior Finish	Gauge	Panel	Conductive Panel	Panel Gauge	Panel Size (in.)	Panel Size (mm)	Stiffener (in.)	Stiffener (mm)	S (in.)	S (mm)
A544208LPG	54.00 x 42.00 x 8.00	1372 x 1067 x 203	Gray	12	A54P42	A54P42G	12	50.00 x 38.00	1270 x 965	15.00	381	—	—
A544208LP	54.00 x 42.00 x 8.00	1372 x 1067 x 203	White	12	A54P42	A54P42G	12	50.00 x 38.00	1270 x 965	15.00	381	—	—
A604808LPG	60.06 x 48.06 x 8.06	1526 x 1221 x 205	Gray	12	A60P48	A60P48G	10	56.00 x 44.00	1422 x 1118	15.00	381	15.92	404
A604808LP	60.06 x 48.06 x 8.06	1526 x 1221 x 205	White	12	A60P48	A60P48G	10	56.00 x 44.00	1422 x 1118	15.00	381	15.92	404
A604810LPG	60.06 x 48.06 x 10.06	1526 x 1221 x 256	Gray	12	A60P48	A60P48G	10	56.00 x 44.00	1422 x 1118	15.00	381	15.92	404
A604810LP	60.06 x 48.06 x 10.06	1526 x 1221 x 256	White	12	A60P48	A60P48G	10	56.00 x 44.00	1422 x 1118	15.00	381	15.92	404
A606010LPG	60.06 x 60.06 x 10.06	1526 x 1526 x 256	Gray	12	A60P60	A60P60G	10	56.00 x 56.00	1422 x 1422	21.00	533	19.92	506
A606010LP	60.06 x 60.06 x 10.06	1526 x 1526 x 256	White	12	A60P60	A60P60G	10	56.00 x 56.00	1422 x 1422	21.00	533	19.92	506
A726010LPG	72.06 x 60.06 x 10.06	1830 x 1526 x 256	Gray	12	A72P60	A72P60G	10	68.00 x 56.00	1727 x 1422	21.00	533	19.92	506
A726010ULP	72.06 x 60.06 x 10.06	1830 x 1526 x 256	White	12	A72P60	A72P60G	10	68.00 x 56.00	1727 x 1422	21.00	533	19.92	506
A727210LPG	72.06 x 72.06 x 10.06	1830 x 1830 x 256	Gray	12	A72P72	A72P72G	10	68.00 x 68.00	1727 x 1727	24.00	610	23.92	608
A727210ULP	72.06 x 72.06 x 10.06	1830 x 1830 x 256	White	12	A72P72	A72P72G	10	68.00 x 68.00	1727 x 1727	24.00	610	23.92	608
A604812LPG	60.06 x 48.06 x 12.06	1526 x 1221 x 306	Gray	12	A60P48	A60P48G	10	56.00 x 44.00	1422 x 1118	15.00	381	15.92	404
A604812LP	60.06 x 48.06 x 12.06	1526 x 1221 x 306	White	12	A60P48	A60P48G	10	56.00 x 44.00	1422 x 1118	15.00	381	15.92	404
A606012LPG	60.06 x 60.06 x 12.06	1526 x 1526 x 306	Gray	12	A60P60	A60P60G	10	56.00 x 56.00	1422 x 1422	21.00	533	19.92	506
A606012LP	60.06 x 60.06 x 12.06	1526 x 1526 x 306	White	12	A60P60	A60P60G	10	56.00 x 56.00	1422 x 1422	21.00	533	19.92	506
A726012LPG	72.06 x 60.06 x 12.06	1830 x 1526 x 306	Gray	12	A72P60	A72P60G	10	68.00 x 56.00	1727 x 1422	21.00	533	19.92	506
A726012ULP	72.06 x 60.06 x 12.06	1830 x 1526 x 306	White	12	A72P60	A72P60G	10	68.00 x 56.00	1727 x 1422	21.00	533	19.92	506
A727212LPG	72.06 x 72.06 x 12.06	1830 x 1830 x 306	Gray	12	A72P72	A72P72G	10	68.00 x 68.00	1727 x 1727	24.00	610	23.92	608
A727212ULP	72.06 x 72.06 x 12.06	1830 x 1830 x 306	White	12	A72P72	A72P72G	10	68.00 x 68.00	1727 x 1727	24.00	610	23.92	608
A604816LPG	60.06 x 48.06 x 16.06	1526 x 1221 x 408	Gray	12	A60P48	A60P48G	10	56.00 x 44.00	1422 x 1118	15.00	381	15.92	404
A604816LP	60.06 x 48.06 x 16.06	1526 x 1221 x 408	White	12	A60P48	A60P48G	10	56.00 x 44.00	1422 x 1118	15.00	381	15.92	404
A606016LPG	60.06 x 60.06 x 16.06	1526 x 1526 x 408	Gray	12	A60P60	A60P60G	10	56.00 x 56.00	1422 x 1422	21.00	533	19.92	506
A606016LP	60.06 x 60.06 x 16.06	1526 x 1526 x 408	White	12	A60P60	A60P60G	10	56.00 x 56.00	1422 x 1422	21.00	533	19.92	506
A726016LPG	72.06 x 60.06 x 16.06	1830 x 1526 x 408	Gray	12	A72P60	A72P60G	10	68.00 x 56.00	1727 x 1422	21.00	533	19.92	506
A726016ULP	72.06 x 60.06 x 16.06	1830 x 1526 x 408	White	12	A72P60	A72P60G	10	68.00 x 56.00	1727 x 1422	21.00	533	19.92	506

Catalog Number	AxBxC in.	AxBxC mm	Interior Finish	Gauge	Panel	Conductive Panel	Panel Gauge	Panel Size (in.)	Panel Size (mm)	Stiffener (in.)	Stiffener (mm)	S (in.)	S (mm)
A727216ULPG	72.06 x 72.06 x 16.06	1830 x 1830 x 408	Gray	12	A72P72	A72P72G	10	68.00 x 68.00	1727 x 1727	24.00	610	23.92	608
A727216ULP	72.06 x 72.06 x 16.06	1830 x 1830 x 408	White	12	A72P72	A72P72G	10	68.00 x 68.00	1727 x 1727	24.00	610	23.92	608
A604820LPG	60.06 x 48.06 x 20.06	1526 x 1221 x 510	Gray	12	A60P48	A60P48G	10	56.00 x 44.00	1422 x 1118	15.00	381	15.92	404
A604820LP	60.06 x 48.06 x 20.06	1526 x 1221 x 510	White	12	A60P48	A60P48G	10	56.00 x 44.00	1422 x 1118	15.00	381	15.92	404
A726020ULPG	72.06 x 60.06 x 20.06	1830 x 1526 x 510	Gray	12	A72P60	A72P60G	10	68.00 x 56.00	1727 x 1422	21.00	533	19.92	506
A726020ULP	72.06 x 60.06 x 20.06	1830 x 1526 x 510	White	12	A72P60	A72P60G	10	68.00 x 56.00	1727 x 1422	21.00	533	19.92	506
A727220ULPG	72.06 x 72.06 x 20.06	1830 x 1830 x 510	Gray	12	A72P72	A72P72G	10	68.00 x 68.00	1727 x 1727	24.00	610	23.92	608
A727220ULP	72.06 x 72.06 x 20.06	1830 x 1830 x 510	White	12	A72P72	A72P72G	10	68.00 x 68.00	1727 x 1727	24.00	610	23.92	608
A604824LPG	60.06 x 48.06 x 24.06	1526 x 1221 x 611	Gray	12	A60P48	A60P48G	10	56.00 x 44.00	1422 x 1118	15.00	381	15.92	404
A604824LP	60.06 x 48.06 x 24.06	1526 x 1221 x 611	White	12	A60P48	A60P48G	10	56.00 x 44.00	1422 x 1118	15.00	381	15.92	404
A606024LPG	60.06 x 60.06 x 24.06	1526 x 1526 x 611	Gray	12	A60P60	A60P60G	10	56.00 x 56.00	1422 x 1422	21.00	533	19.92	506
A606024LP	60.06 x 60.06 x 24.06	1526 x 1526 x 611	White	12	A60P60	A60P60G	10	56.00 x 56.00	1422 x 1422	21.00	533	19.92	506
A726024ULPG	72.06 x 60.06 x 24.06	1830 x 1526 x 611	Gray	12	A72P60	A72P60G	10	68.00 x 56.00	1727 x 1422	21.00	533	19.92	506
A726024ULP	72.06 x 60.06 x 24.06	1830 x 1526 x 611	White	12	A72P60	A72P60G	10	68.00 x 56.00	1727 x 1422	21.00	533	19.92	506
A727224ULPG	72.06 x 72.06 x 24.06	1830 x 1830 x 611	Gray	12	A72P72	A72P72G	10	68.00 x 68.00	1727 x 1727	24.00	610	23.92	608
A727224ULP	72.06 x 72.06 x 24.06	1830 x 1830 x 611	White	12	A72P72	A72P72G	10	68.00 x 68.00	1727 x 1727	24.00	610	23.92	608

Purchase panels separately.



C2485-C

Popular Cooling Products

Enclosure Depth (C Dimension)	Popular Cooling Solutions*
8.06 in. (205 mm)	T150116G120 (Air Conditioner)
10.06 in. (256 mm)	T150116G120 (Air Conditioner)
12.06 in. (306 mm)	N280416G050 (Air Conditioner)
16.06 in. (408 mm)	N280416G050 (Air Conditioner)
24.06 in. (611 mm)	G280416G050 (Air Conditioner)

*Important: Visit tools.hoffmanonline.com/attachments to access our **Cooling Selection Tool** to determine the appropriate cooling solution for your application.

Popular Accessories

Enclosure Width (B Dimension)	Lights	Hole Seals	Window Kits
42.00 in. (1067 mm)	LED24V15	AS050	APWK53NF
48.06 in. (1221 mm)	LED24V15	AS050	APWK53NF
60.06 in. (1526 mm)	LED24V15	AS050	APWK53NF
72.06 in. (1830 mm)	LED24V15	AS050	APWK53NF

TWO-DOOR WITH 3-POINT LATCHES AND FLOOR STANDS, TYPE 4

FEATURES

- Three-point latch for security and ease of use
- Return flange around the door opening excludes liquids and contaminants
- Removable centerpost permits easy panel installation

SPECIFICATIONS

- 12 gauge steel
- 3-point latch system with POWERGLIDE™ padlocking handles
- Seams continuously welded and ground smooth; no holes or knockouts
- Body stiffeners
- Panel supports
- Heavy gauge continuous hinge with stainless steel hinge pin
- Data pocket is high-impact thermoplastic
- 12-in. floor stands are welded to enclosure
- Heavy-duty lifting eyes
- Oil-resistant door gasket
- Collar stud for mounting optional panels
- Grounding stud on body
- Bonding provision on door
- Provision for mounting fluorescent light

FINISH

ANSI 61 gray polyester paint inside and out over pretreated surfaces. Optional panels have white or conductive finish.

ACCESSORIES

See also Accessories.

Electrical Interlocks
 Enclosure Stabilizers
 INTERSAFE™ Data Interface Ports, Type 4/4X/12
 PANELITE™ Enclosure Lights Overview
 Panel Support Kit

MODIFICATION AND CUSTOMIZATION

Hoffman excels at modifying and customizing products to your specifications. Contact your local Hoffman sales office or distributor for complete information.

BULLETIN: A4L3
INDUSTRY STANDARDS

UL 508A Listed; Type 4, 12; File No. E61997
 cUL Listed per CSA C22.2 No. 94; Type 4, 12; File No. E61997

NEMA/EEMAC, Type 3, 4, 12, 13
 IEC 60529, IP66

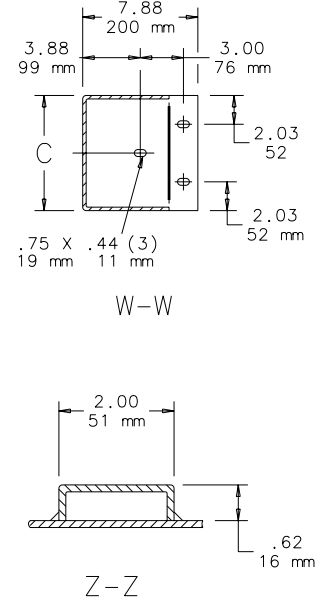
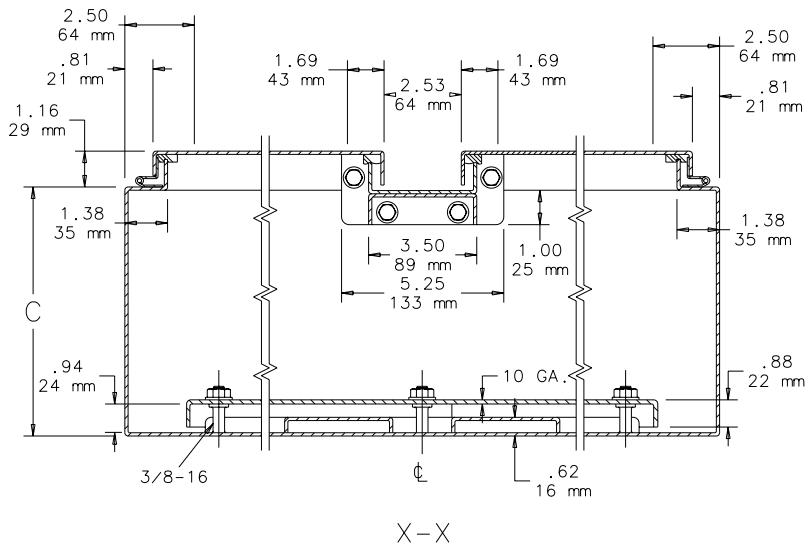
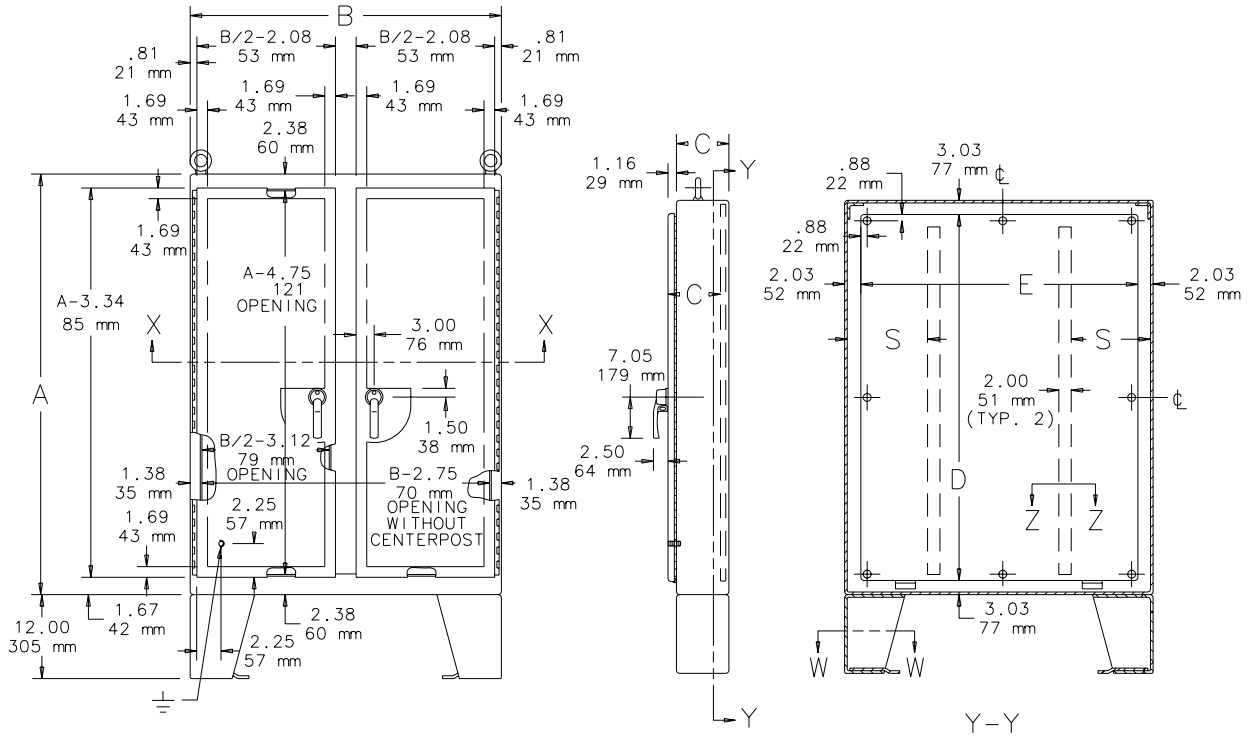
APPLICATION

These enclosures are ideal for indoor or outdoor applications where it is necessary to protect controls and instrumentation from wet, non-corrosive environments. The design features Hoffman's exclusive POWERGLIDE™ Handle with 3-point latching for secure closure and floor stands that provide additional height and access for cleaning under the enclosure.

Standard Product

Catalog Number	AxBxC in./mm	Panel	Conductive Panel	Body Stiffener S in./mm	Panel Size D x E in./mm
A62H4810LP3PT	62.06 x 48.06 x 10.06 1576 x 1221 x 256	A60P48	A60P48G	15.00 381	56.00 x 44.00 1422 x 1118
A62H4818LP3PT	62.06 x 48.06 x 18.06 1576 x 1221 x 459	A60P48	A60P48G	15.00 381	56.00 x 44.00 1422 x 1118
A62H6012LP3PT	62.06 x 60.06 x 12.06 1576 x 1526 x 306	A60P60	A60P60G	21.00 533	56.00 x 56.00 1422 x 1422
A62H6018LP3PT	62.06 x 60.06 x 18.06 1576 x 1526 x 459	A60P60	A60P60G	21.00 533	56.00 x 56.00 1422 x 1422
A74H6012LP3PT	74.06 x 60.06 x 12.06 1881 x 1526 x 306	A72P60	A72P60G	21.00 533	68.00 x 56.00 1727 x 1422
A74H6018LP3PT	74.06 x 60.06 x 18.06 1881 x 1526 x 459	A72P60	A72P60G	21.00 533	68.00 x 56.00 1727 x 1422
A74H7212LP3PT	74.06 x 72.06 x 12.06 1881 x 1830 x 306	A72P72	A72P72G	24.00 610	68.00 x 68.00 1727 x 1727
A74H7218LP3PT	74.06 x 72.06 x 18.06 1881 x 1830 x 459	A72P72	A72P72G	24.00 610	68.00 x 68.00 1727 x 1727
A74H7224LP3PT	74.06 x 72.06 x 24.06 1881 x 1830 x 611	A72P72	A72P72G	24.00 610	68.00 x 68.00 1727 x 1727

Order panel separately.



87794322

TWO-DOOR WITH FLOOR STANDS, TYPE 4

SPECIFICATIONS

- 12 gauge steel
- Seams continuously welded and ground smooth; no holes or knockouts
- Body stiffeners for added strength
- Removable centerpost permits easy panel installation
- Panel supports
- Return flange around three sides of door and along top of enclosure opening channels away liquids and contaminants
- Stainless steel door clamps on three sides of each door assure water-tight seal
- Heavy gauge continuous hinge with stainless steel hinge pin
- Hasp and staple for padlock
- Data pocket is high-impact thermoplastic
- 12-in. floor stands welded to enclosure
- Heavy-duty lifting eyes
- Oil-resistant door gasket
- Collar studs provided for mounting optional panels
- Grounding stud on body
- Bonding provision on door
- Provision for mounting fluorescent light

FINISH

ANSI 61 gray polyester powder paint inside and out over pretreated surfaces. Optional panels have white or conductive finish.

ACCESSORIES

See also *Accessories*.

Industrial Corrosion Inhibitors
 INTERSAFE™ Data Interface Ports, Type 4/4X/12
 PANELITE™ Enclosure Lights Overview
 Panel Support Kit
 Toggle Latch for Type 4 and 4X Floor-Mount and Free-Stand Enclosures

MODIFICATION AND CUSTOMIZATION

Hoffman excels at modifying and customizing products to your specifications. Contact your local Hoffman sales office or distributor for complete information.

BULLETIN: A4L
INDUSTRY STANDARDS

UL 508A Listed; Type 4, 12; File No. E61997
 cUL Listed per CSA C22.2 No. 94; Type 4, 12; File No. E61997

NEMA/EEMAC Type 3, Type 4, 12, 13
 CSA, File No. LR42186, Type 4, 12
 IEC 60529, IP66

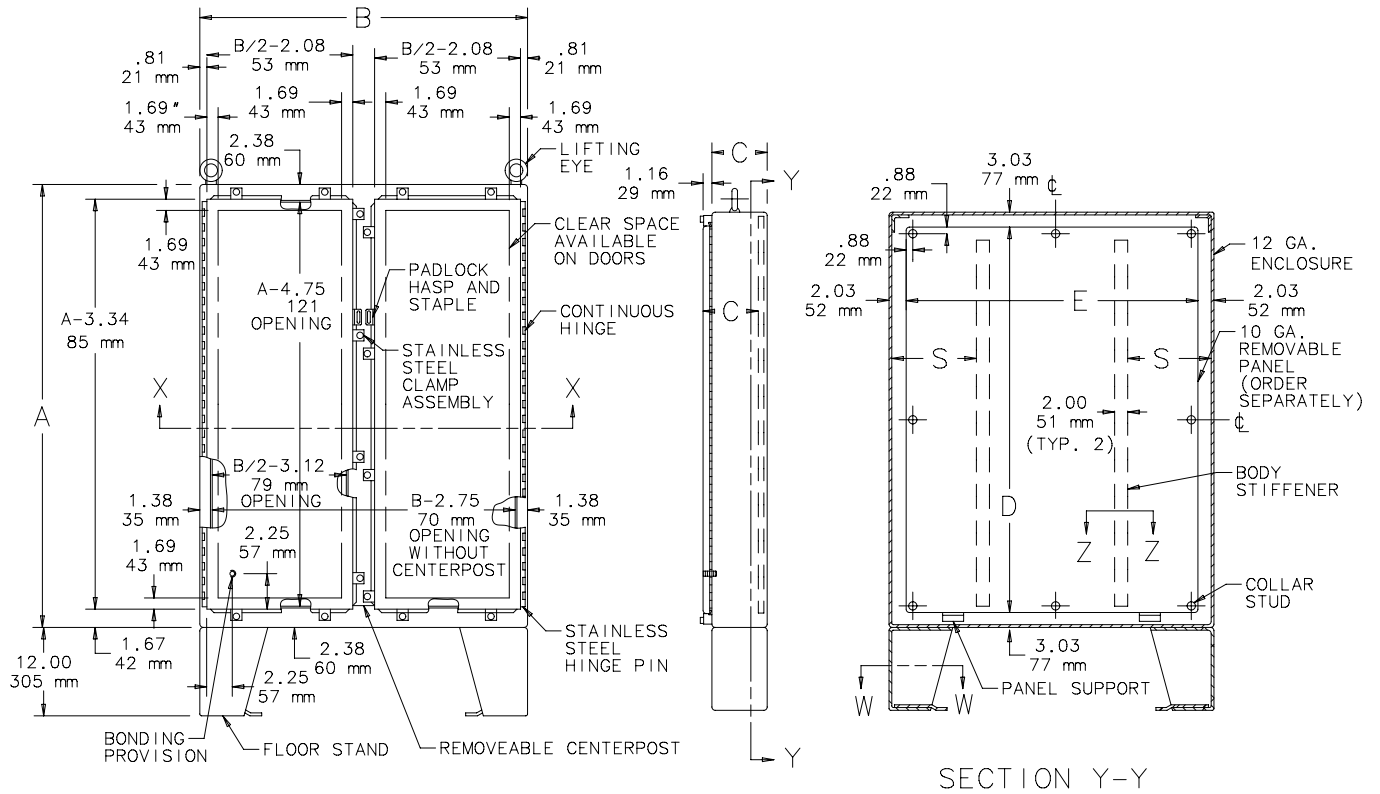
APPLICATION

The Type 4 rating and polyester powder coating make these enclosures ideal for outdoor environments or food processing applications where it is necessary to protect controls and instrumentation from wet, non-corrosive environments. Featuring a continuous hinge with clamps, the enclosures are supported by floor stands that provide additional height and access for cleaning under the enclosure. Equipment can be mounted on either panels or racks.

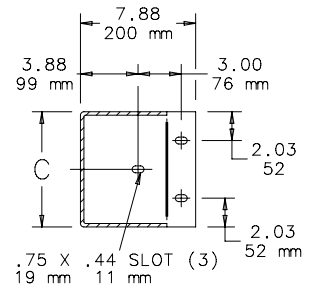
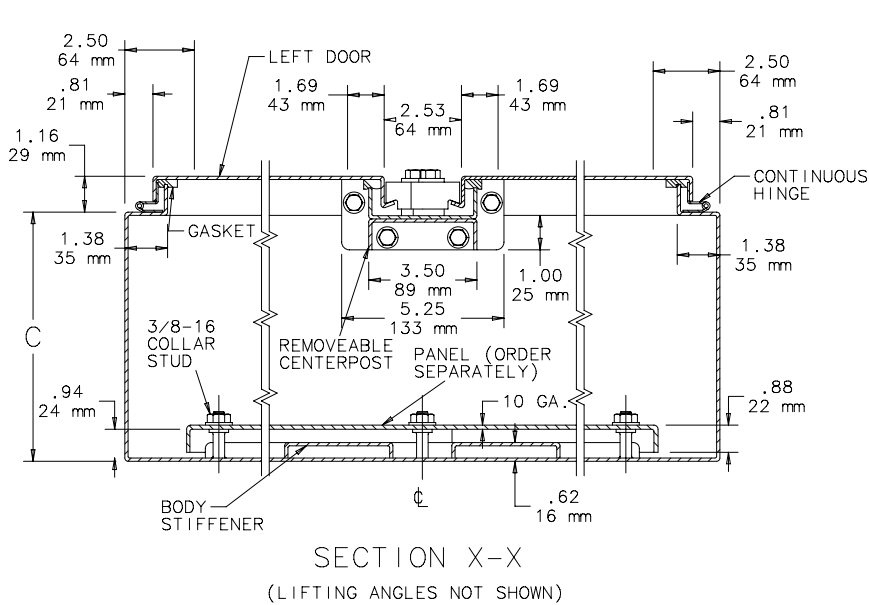
Standard Product

Catalog Number	AxBxC in./mm	Panel	Conductive Panel	Panel Size D x E in./mm	Body Stiffener S in./mm	Number of Clamps
A62H48CLP	62.06 x 48.06 x 10.06 1576 x 1221 x 256	A60P48	A60P48G	15.00 381	15 381	16
A62H60DLP	62.06 x 60.06 x 12.06 1576 x 1526 x 306	A60P60	A60P60G	21.00 533	21 533	16
A74H60DULP	74.06 x 60.06 x 12.06 1881 x 1526 x 306	A72P60	A72P60G	21.00 533	21 533	18
A74H72DULP	74.06 x 72.06 x 12.06 1881 x 1830 x 306	A72P72	A72P72G	24.00 610	24 610	18
A74H72JULP	74.06 x 72.06 x 24.06 1881 x 1830 x 611	A72P72	A72P72G	24.00 610	24 610	18

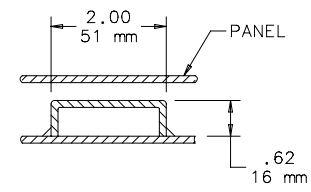
Purchase panels separately



NOTE: Right door has removable 12.00 x 12.00 (305mm x 305mm) data pocket.



SECTION W-W



SECTION Z-Z

