

## Rigid Non-Metallic Conduit Fittings (for use with Schedule 40 & 80 Conduit)



### Expansion Fittings

E945 series expansion fittings are designed to compensate for length changes due to temperature variations in exposed conduit runs.

- Exclusive molded-in mid-point indicator on the piston
- Exclusive 2" expansion fitting with an 8" travel distance
- Two-piece molded design with lubricated seals for easier movement for the life of the product
- Ridges on the fitting for easier installation (sizes 2"-6" only)
- Male terminal adapter end design (½"-2" NPT Threads, and 2½"-6" NPSC threads)
- Two O-rings to prevent leakage
- Can be installed vertically or horizontally



COUPLING END CAT. NO.	MALE TERMINAL ADAPTER END CAT. NO.	SIZE (IN.)	STD. CTN.	TRAVEL LENGTH (IN.)
E945D	E945DX	½	20	4
E945E	E945EX	¾	15	4
E945F	E945FX	1	10	4
E945G	E945GX	1¼	5	4
E945H	E945HX	1½	5	4
E945J	E945JX	2	15	8
E945K	E945KX	2½	10	8
E945L	E945LX	3	10	8
E945M	E945MX	3½	5	8
E945N	E945NX	4	5	8
E945P	E945PX	5	1	8
E945R	E945RX	6	1	8

### Short Expansion Couplings

Expand to a maximum of 2".

CAT. NO.	SIZE (IN.)	STD. CTN.
E955D	½	40
E955E	¾	40
E955F	1	25
E955G	1¼	15
E955H	1½	10
E955J	2	6

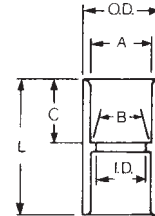


### Couplings Standard Couplings

All socket fittings should be attached using Carlton® solvent cement.



Socket type for joining non-metallic conduit.



Except where noted by ▶

CAT. NO.	SIZE (IN.)	STD. CTN.	TYPICAL (IN.)		I.D. (IN.)	O.D. (IN.)	TYPICAL (IN.)	
			A	B			C	L
E940D	½	150	.852	.836	.728	1¼	1¼	1½
▶ CE940DR-CTN	½	75	.852	.836	.728	1¼	1¼	1½
E940E	¾	100	1.064	1.046	.840	1¾	¾	1¾
▶ CE940ER-CTN	¾	45	1.064	1.046	.840	1¾	¾	1¾
E940F	1	50	1.330	1.310	1.210	1¾	1½	2
▶ CE940F-UPC	1	50	1.330	1.310	1.210	1¾	1½	2
E940G	1¼	30	1.677	1.655	1.535	1¾	1	2½
E940H	1½	25	1.918	1.894	1.755	2¾	1¾	2¾
E940J	2	30	2.393	2.369	2.190	2¾	1¾	2½
E940K	2½	20	2.890	2.868	2.688	3¾	1¾	3¾
E940L	3	25	3.515	3.492	3.375	3¾	1¾	3¾
E940M	3½	20	4.015	3.992	3.780	4¾	1¾	3¾
E940N	4	15	4.515	4.491	4.265	5¾	1¾	3¾
E940P	5	8	5.593	5.553	5.097	6¾	1¾	4¾
E940R	6	5	6.658	6.614	6.115	7¾	2¾	4¾

▶ Canada only

### Special Long Line Couplings



Long Line Couplings

CAT. NO.	SIZE (IN.)	STD. CTN.	STD. WT. (LBS.)	LENGTH (IN.)
E941H	1½	40	9	3.19
E941J	2	25	8	3.59
E941K	2½	15	8	4.29
E941L	3	15	14	6.44
E941N	4	10	15	6.96
E941PF	5	4	12	9.63
▶ E941RF	6	5	21	11.75

### Fabricated Expansion Couplings



CAT. NO.	SIZE (IN.)	STD. CTN.	TRAVEL LENGTH (IN.)
E945KXL	2½	10	12

Non-Metallic Rigid Conduit, Fittings and Accessories

## Rigid Non-Metallic Conduit Fittings (for use with Schedule 40 & 80 Conduit)

### Couplings

Special Long Line Couplings —  
Sleeve Couplings

Sleeve Coupling  
(For Repair Work)  
No Internal Stop



CAT. NO.	SIZE (IN.)	STD. CTN.	STD. WT. (LBS.)	LENGTH (IN.)
▶ E948H	1½	25	6	4
▶ E948J	2	25	5	3
▶ E948K	2½	25	16	6
▶ E948L	3	25	13	4
▶ E948N	4	10	8	6.5
▶ E948P	5	14	33	7
▶ E948R	6	6	16	6
▶ E948JR	2	15	8	6
▶ E948JS	2 (Sch. 40 Split Duct)	25	6	—
▶ E948KS7	2½ (Sch. 40 Split Duct)	25	19	7
▶ E948L12	3	1	1	12
▶ E948L6	3	15	15	6
▶ E948LS	3 (Sch. 40 Split Duct)	25	17	—
▶ E948N12	4	10	28	12
▶ E948N7	4	15	25	7
▶ E948NS	4 (Sch. 40 Split Duct)	10	15	—
▶ E948PS	5 (Sch. 40 Split Duct)	1	2	—
▶ E948R10	6	6	25	10
▶ E948R12	6	6	25	12
▶ E948RS	6 (Sch. 40 Split Duct)	1	2	—

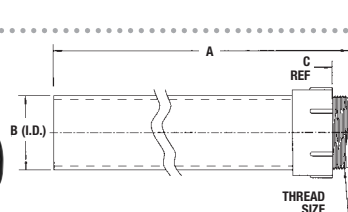
### Special Schedule 40 Swedge Couplings

CAT. NO.	SIZE (IN.)	STD. CTN.	STD. WT. (LBS.)
▶ E442K	2½	20	13
▶ E442R	6	6	27
▶ E442T	8	2	17

\*Consult factory for additional sizes



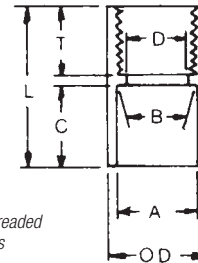
### Risers Schedule 40



CAT. NO.	SIZE (IN.)	A (IN.) (LENGTH)	B (IN.)	C (IN.)	THREAD SIZE (IN.)	STD. CTN.	STD. WT. (LBS.)
▶ E954HX	1½	80.00	1.567	.950	1½ NPT	1	3.8
▶ E954J	2	60.00	2.024	.825	2 NPT	1	3.7
▶ E954JX	2	80.00	2.024	.825	2 NPT	1	5.0
▶ E954K	2½	60.00	2.418	.812	2½ NPSC	1	6.0
▶ E954KX	2½	80.00	2.418	.812	2½ NPSC	1	8.4
▶ E954L	3	60.00	3.012	.798	3 NPSC	1	8.7
▶ E954LX	3	80.00	3.012	.798	3 NPSC	1	11.0

### Adapters

Female Adapters



For adapting non-metallic conduits to threaded fittings, metallic systems. Female threads on one end, socket end on other.



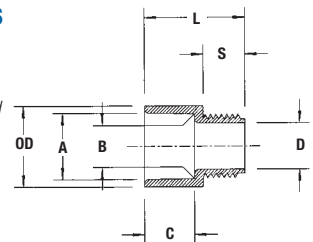
CAT. NO.	SIZE (IN.)	STD. CTN.	TYPICAL (IN.)		MIN. D (IN.)	MAX. OD (IN.)	TYPICAL (IN.)		
			A	B			C	T	L
E942D	½	150	.852	.836	.620	1¼	1¼	¾	1¼
E942E	¾	100	1.064	1.046	.822	1½	1½	¾	1½
E942F	1	50	1.330	1.310	1.046	1¾	1¾	¾	1¾
E942G	1¼	30	1.677	1.655	1.377	2¼	1	¾	2
E942H	1½	25	1.918	1.894	1.607	2½	1½	¾	2½
E942J	2	30	2.393	2.369	2.064	2¾	1¾	1	2¾
E942K	2½	20	2.890	2.868	2.450	3½	1¾	1½	2¾
E942L	3	25	3.515	3.492	3.000	3¾	1¾	1½	3½
E942M	3½	20	4.015	3.992	3.500	4½	1¾	1½	3¾
E942N	4	15	4.515	4.491	4.000	5¼	1¾	1½	3¾
▶ E942NX9*	4	15	(Call for information)						
E942P	5	8	5.593	5.553	5.047	6¼	1¾	1½	3¾
E942R	6	6	6.658	6.614	6.055	7¼	2½	1¾	3¾
▶ E942RX*	6	6	(Call for information)						

\* Long Line Adapter

### Male Terminal Adapters



For adapting non-metallic conduits to boxes, threaded fittings, metallic systems. Male threads on one end, socket end on other.



CAT. NO.	SIZE (IN.)	STD. CTN.	TYPICAL (IN.)		MIN. D (IN.)	MAX. OD (IN.)	TYPICAL (IN.)		
			A	B			C	S	L
E943D	½	150	.852	.836	.594	1.042	.652	.545	1.310
E943E	¾	125	1.064	1.046	.793	1.290	.809	.553	1.470
E943F	1	50	1.330	1.310	1.025	1.580	.965	.812	1.902
E943G	1¼	50	1.677	1.655	1.345	1.973	1.208	.816	1.986
E943H	1½	25	1.918	1.894	1.574	2.188	1.155	.802	2.105
E943J	2	50	2.393	2.369	1.998	2.713	1.145	.825	2.093
E943K	2½	25	2.890	2.868	2.400	3.290	1.490	.812	2.480
E943L	3	45	3.515	3.492	2.989	3.965	1.643	.797	2.660
E943M	3½	30	4.015	3.992	3.405	4.515	1.720	.802	2.740
E943N	4	20	4.515	4.491	3.895	5.065	1.788	.733	2.830
E943P	5	5	5.593	5.553	4.900	6.104	1.935	.990	3.200
E943R	6	10	6.658	6.614	5.900	7.288	2.128	.985	3.410

## Rigid Non-Metallic Conduit Fittings (for use with Schedule 40 & 80 Conduit)

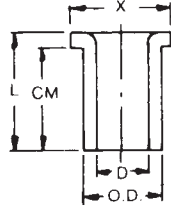


### Adapters

#### Box Adapters for Enclosures



Adapts non-metallic conduit to all electrical enclosures by inserting adapter through knockout and cementing into Carlton couplings.



CAT. NO.	SIZE (IN.)	STD. CTN.	MIN D (IN.)	OD (IN.) TYPICAL	MAX X (IN.)	CM (IN.) TYPICAL	L (IN.) TYPICAL
E996D	½	100	.662	.840	1¼	2½/₂	2¼/₂
E996E	¾	100	.824	1.050	1²¹/₄	2⁵/₂	2⁹/₂
E996F	1	100	1.049	1.315	1½	2⁹/₄	1¾/₂
E996G	1¼	50	1.380	1.660	1¾/₂	1½	1¼
E996H	1½	50	1.610	1.900	2³/₄	1½	1¾
E996J	2	25	2.067	2.375	2⁹/₄	1¼	1½
E996K	2½	15	2.469	2.875	3¼	1½	1½
E996L	3	20	3.068	3.500	4½	2	2¼
E996N	4	10	4.026	4.500	5½	2½	2¼

### Threaded Adapters

CAT. NO.	SIZE (IN.)	STD. CTN.
E9842D <sup>1</sup>	½	25
E9842E <sup>2</sup>	¾	25

<sup>1</sup> Fits ¾" sockets  
<sup>2</sup> Fits 1" sockets

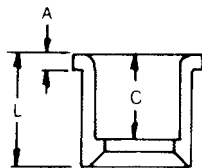


### Reducers

#### Reducer Bushings



For connecting different sizes of conduit.  
Bell x Spigot.



CAT. NO.	SIZE (IN.)	STD. CTN.	L (IN.) TYPICAL	A (IN.) TYPICAL	C (IN.) TYPICAL
E950ED	¾ x ½	100	1½/₂	1³/₄	1½/₂
E950FD-CAR	1 x ½	25	1¹¹/₂	¾	5/₄
E950FE	1 x ¾	100	1¹¹/₂	¾	1¼
E950GE-CAR	1¼ x ¾	10	1¹¹/₂	¾	1¼
E950GF	1¼ x 1	50	1¹¹/₂	¾	1¼
E950HF-CAR	1½ x 1	10	1¹¹/₂	¾	1¼
E950HG-CAR	1½ x 1¼	10	1¹¹/₂	¾	1¼
E950JG-CAR	2 x 1¼	10	1¾	¾	1¹¹/₄
E950JH-CAR	2 x 1½	10	1¾	¾	1¹¹/₄
E950KJ-CAR	2½ x 2	10	2³/₂	¾	1²¹/₄
E950LJ-CAR	3 x 2	10	2½	¾	1¾
E950LK	3 x 2½	25	1¹¹/₄	¾	1¹¹/₄
E950NL	4 x 3	25	2¾	¾	1¹¹/₄

### Plugs

#### Reducer Plugs

CAT. NO.	SIZE (IN.)	STD. CTN.	STD. WT. (LBS.)
E971C	¾ x ½	100	2
E971D	1 x ¾	100	3



#### Plugs (Polyethylene)

CAT. NO.	SIZE (IN.)	STD. CTN.	STD. WT. (LBS.)
P258H	1½	50	2
P258K	2½	25	1.5



#### Plugs with Pull Tabs (Polyethylene)

CAT. NO.	SIZE (IN.)	STD. CTN.	STD. WT. (LBS.)
P258JT	2	60	3
P258LT	3	30	3
P258NT	4	48	8
P258PT	5	30	6
P258RT	6	30	9



#### Fabricated Reducers



CAT. NO.	SIZE (IN.)	STD. CTN.	STD. WT. (LBS.)
<b>Male x Male</b>			
E952JH	1½ x 2	48	20
E952KJ	2½ x 2	48	26
E952LJ	3 x 2	36	21
E952LK	3 x 2½	36	32
E952NL	4 x 3	15	21
E952NM	4 x 3½	15	25
E952PN	5 x 4	12	27
E952RP	6 x 5	10	31
<b>Male x Female</b>			
E952NJF	4 x 2	15	16
E952RNF	6 x 4	10	28

SP® LR31146  
UL LISTED E23018  
Except where noted by ▶

Carlton® Non-Metallic Rigid Conduit, Fittings and Accessories

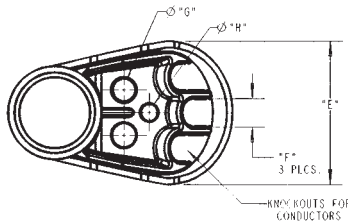
# Carlton®

## Rigid Non-Metallic Conduit Fittings (for use with Schedule 40 & 80 Conduit)

### Caps Service Entrance Caps



UL US  
LISTED  
E13938



CAT. NO.	SIZE (IN.)	STD. CTN.	DIMENSIONS (IN.)			
			E	F	G	H
E998D	½	5	1.76	.45	.45	—
E998E	¾	20	1.76	.45	.45	—
E998E-CAR	¾	5	1.76	.45	.45	—
E998F	1	15	2.26	.59	.58	—
E998F-CAR	1	5	2.26	.59	.58	—
E998G-CAR	1¼	5	3.52	.74	.71	.50
E998H-CAR	1½	5	3.52	.74	.71	.50
E998J-CAR	2	5	4.26	.83	.78	.56
E998K-UPC	2½	2	7.47	1.70	1.31	1.00
E998L	3	2	7.47	1.70	1.31	1.00
E998N	4	2	10.45	2.25	1.88	1.31

### End Caps

CAT. NO.	SIZE (IN.)	STD. CTN.	STD. WT. (LBS.)
▶ E958D	½	100	3
▶ E958E	¾	100	4
▶ E958F	1	75	5
▶ E958G	1¼	40	4
▶ E958H	1½	30	4
▶ E958J	2	25	5
▶ E958K	2½	10	4
▶ E958L	3	10	5
▶ E958N	4	5	17
▶ E958P	5	5	11
▶ E958R	6	5	13



### PVC Riser Caps

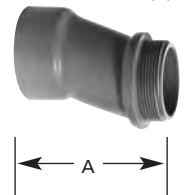
CAT. NO.	SIZE (IN.)	STD. CTN.	STD. WT. (LBS.)
▶ E935J	2	25	3
▶ E935L	3	25	5
▶ E935N	4	25	7
▶ E935P	5	25	35
▶ E935R	6	10	7



### Offsets Meter Offset

SP®  
LR31146

UL LISTED  
E23018  
Except where noted by ▶



CAT. NO.	SIZE (IN.)	STD. CTN.	OFFSET (IN.)	A (IN.)
▶ E995G	1¼	15	0.758	4.230
▶ E995J	2	8	0.684	4.270



### Offset

CAT. NO.	SIZE (IN.)	OFFSET (IN.)	STD. CTN.	STD. WT. (LBS.)
▶ E994D	½	.250	25	3
▶ E994E	¾	.250	25	3
▶ E994F	1	.500	50	12



### End Bells End Bells

CAT. NO.	SIZE (IN.)	STD. CTN.	STD. WT. (LBS.)
E997F	1	50	2.6
E997G	1¼	35	2.5
E997H	1½	30	2.5
E997J	2	40	5.0
E997K	2½	30	2
E997L	3	50	10
E997M	3½	40	11
E997N	4	30	16
▶ E997P	5	15	8
▶ E997R	6	10	7
▶ E997T	8	3	15



### Fabricated End Bells (Schedule 40)

CAT. NO.	SIZE (IN.)	STD. CTN.	STD. WT. (LBS.)
▶ E949J5	2 x 5	50	10
▶ E949J6	2 x 6	25	12
▶ E949JN	2 x 4	25	7
▶ E949JX	2 x 8	12	7
▶ E949LR	3 x 6	20	21
▶ E949N5	4 x 5	20	2
▶ E949NR	4 x 6	15	21
▶ E949R5	6 x 5	12	27
▶ E949RX	6 x 8	6	17



Carlton® Non-Metallic Rigid Conduit, Fittings and Accessories

Thomas & Betts

www.tnb.com

Corporate Office  
Tel: 901.252.8000  
800.816.7809  
Fax: 901.252.1354

Customer Service  
Tel: 800.816.7809  
Fax: 800.816.7810

Technical Services  
Tel: 888.862.3289  
Fax: 901.252.1321

Tool Services  
Tel: 800.284.8665





## Rigid Non-Metallic Conduit Accessories, Conduit Bodies

### Washers

#### Flat Sealing Washer

Where a waterproof termination is required into any enclosure (metallic or non-metallic), install the neoprene washer over the threads of a terminal adapter before inserting into the enclosure. Use a standard locknut or threaded bushing to secure the assembly.

CAT. NO.	SIZE (IN.)	STD. CTN.
▶ E943DW	½	125
▶ E943EW	¾	125
▶ E943FW	1	100
▶ E943GW	1¼	50
▶ E943HW	1½	50
▶ E943JW	2	25



### Lock Nuts

#### PVC Lock Nut

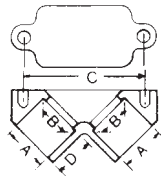


CAT. NO.	SIZE (IN.)	STD. CTN.
▶ LT9LD	½	1200
▶ LT9LE	¾	700
▶ LT9LF	1	600



### Pull Elbows

#### Access Pull Elbows



CAT. NO.	SIZE (IN.)	STD. CTN.	A (IN.) TYPICAL	B (IN.) TYPICAL	C (IN.) TYPICAL	D (IN.) TYPICAL
† E990D	½	75	.852	.836	2.187	.718
† E990E	¾	50	1.064	1.046	2.531	.781

Gasket included.

### Sleeves

#### HOLFORM™ Concrete Sleeves

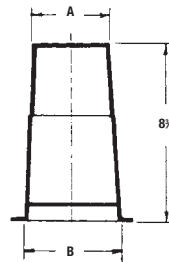
HOLFORM™ non-metallic concrete sleeve forms are the easy way to form holes in concrete. They install in seconds with nails, screws or staples and are easily removed. Concrete will not adhere to them. HOLFORMs are adjustable to any slab thickness.



LR31146  
Except where noted by †



LISTED E23018  
Except where noted by ▶

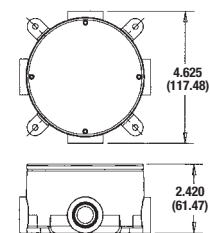
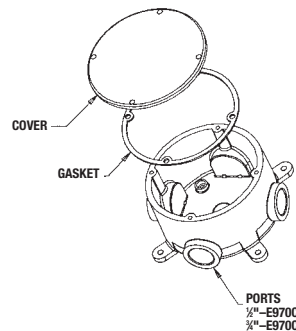


CAT. NO.	MIN. O.D. A (IN.)	B (IN.)	STD. CTN.	STD. WT. (LBS.)
† ▶ E92CSH	1½	1¼	20	3
† ▶ E92CSJ	2	2½	25	6
† ▶ E92CSL	3	3½	25	8
† ▶ E92CSN	4	4½	18	8
† ▶ E92CSP	5	5½	15	8
† ▶ E92CSR	6	6½	12	8

### Conduit Bodies

#### Type X with Cover

Four knock-out type socket openings, 90° spacing. Available with ½" or ¾" socket outlets. Includes cover and gasket.



CAT. NO.	SIZE (IN.)	VOL. CU. IN.	STD. CTN.
▶ E970CD	½	15.16	15
E970CE	¾	15.16	15

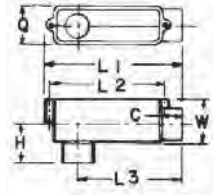
Supplied with 4 stainless steel cover screws. Diameter ¼", Thickness ¼".  
\*Not designed for use with wiring devices or light fixtures.

Non-Metallic Rigid Conduit, Fittings and Accessories

Feature unthreaded hubs and textured lids with foam-in-place gaskets.

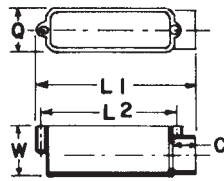
### Conduit Bodies

#### Type LB



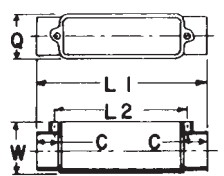
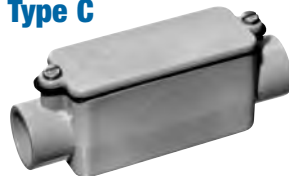
CAT. NO.	SIZE (IN.)	STD. CTN.	DIMENSIONS (IN.)							VOL. CU. IN.
			TYPICAL C	TYPICAL L1	TYPICAL L2	TYPICAL L3	MAX. H	MAX. Q	MAX. W	
E986D	1/2	25	1/16	4/16	3/2	3/16	1/16	1 1/2	1 1/2	4.0
E986E	3/4	15	2/32	6/32	5/2	4/32	1/2	1 1/4	2 1/2	12.0
E986F	1	10	29/32	6/32	5/2	4/32	1/2	1 1/4	2 1/2	12.0
E986G	1 1/4	10	1/32	7/32	6 1/2	6	2 1/8	2 1/2	2 3/4	32.0
E986H	1 1/2	10	1/32	7/32	6 1/2	6	2 1/8	2 1/2	2 3/4	32.0
E986J	2	10	1/32	9/32	8 1/2	7/4	2 1/8	3 1/2	3 1/2	63.0
▶ E986K	2 1/2	4	1 1/4	14 1/4	13 1/4	11 3/32	3 3/4	4 1/2	4 5/8	210.
▶ E986L	3	4	1 1/4	14 1/4	13 1/4	11 3/32	3 3/4	4 1/2	4 5/8	210.
▶ E986M	3 1/2	4	1 29/32	17 29/32	15 1/2	14 1/64	4 1/8	5 1/2	5 3/32	390.
▶ E986N	4	4	1 29/32	17 29/32	15 1/2	14 1/64	4 1/8	5 1/2	5 3/32	390.

#### Type E



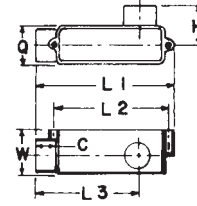
CAT. NO.	SIZE (IN.)	STD. CTN.	DIMENSIONS (IN.)				VOL. CU. IN.
			TYPICAL C	TYPICAL L1	TYPICAL L2	TYPICAL Q	
E988D	1/2	25	1/16	4 1/16	3 1/2	1 1/2	4.0
E988E	3/4	20	29/32	6 1/32	5 1/2	1 1/4	12.0
E988F	1	10	29/32	6 1/32	5 1/2	1 1/4	12.0
E988G	1 1/4	10	1/32	8	6 1/32	2 1/2	32.0
E988H	1 1/2	10	1/32	8	6 1/32	2 1/2	32.0
E988J	2	5	1/32	9 1/32	8 1/32	3 3/32	63.0

#### Type C



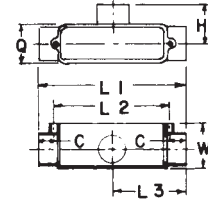
CAT. NO.	SIZE (IN.)	STD. CTN.	DIMENSIONS (IN.)					VOL. CU. IN.
			TYPICAL C	MAX. L1	TYPICAL L2	MAX. Q	MAX. W	
E987D	1/2	25	1/16	4 1/16	3 1/2	1 1/2	4.0	
E987E-CAR	3/4	10	29/32	6 1/8	5 3/64	1 1/4	12.0	
E987F-CAR	1	10	29/32	6 1/8	5 1/2	1 1/4	12.0	
E987G	1 1/4	10	1/32	8 3/32	6 1/32	2 1/2	32.0	
E987H	1 1/2	10	1/32	8 3/32	6 1/32	2 1/2	32.0	
E987J	2	15	1/32	10 1/16	8 1/32	3 3/32	63.0	

#### Type LR



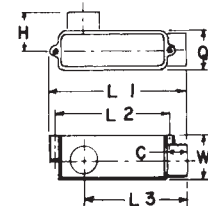
CAT. NO.	SIZE (IN.)	STD. CTN.	DIMENSIONS (IN.)							VOL. CU. IN.
			TYPICAL C	MAX. L1	TYPICAL L2	TYPICAL L3	MAX. H	MAX. Q	MAX. W	
E985D-CAR	1/2	10	1/16	4 1/16	3 1/2	3/16	1 1/16	1 1/2	1 1/2	4.0
E985E-CAR	3/4	10	29/32	6 1/2	5 1/2	4 2/32	1 1/2	1 1/4	2 1/2	12.0
E985F	1	10	29/32	6 1/2	5 1/2	4 2/32	1 1/2	1 1/4	2 1/2	12.0
E985G	1 1/4	10	1/32	7 3/32	6 1/32	6	2 1/8	2 1/2	2 3/4	32.0
E985H-CAR	1 1/2	5	1 1/2	7 3/32	6 1/32	6	2 1/8	2 1/2	2 3/4	32.0
E985J	2	10	1/32	9 1/2	8 1/2	7/4	2 1/8	3 1/2	3 1/2	63.0

#### Type T



CAT. NO.	SIZE (IN.)	STD. CTN.	DIMENSIONS (IN.)							VOL. CU. IN.
			TYPICAL C	MAX. L1	TYPICAL L2	TYPICAL L3	MAX. H	MAX. Q	MAX. W	
E983D-CAR	1/2	10	1/16	4 1/16	3 1/2	2 1/32	1 1/16	1 1/2	1 1/2	4.0
E983E	3/4	15	29/32	6 1/8	5 1/2	4 1/16	1 1/2	1 1/4	2 1/2	12.0
E983F	1	20	29/32	6 1/8	5 1/2	3 1/16	1 1/2	1 1/4	2 1/2	12.0
E983G	1 1/4	10	1/32	8 3/32	6 1/32	4 3/64	2 1/8	2 1/2	2 3/4	32.0
E983H	1 1/2	10	1/32	8 3/32	6 1/32	4 3/64	2 1/8	2 1/2	2 3/4	32.0
E983J	2	10	1/32	10 1/16	8 1/2	5 1/2	2 1/8	3 1/2	3 1/16	63.0

#### Type LL



CAT. NO.	SIZE (IN.)	STD. CTN.	DIMENSIONS (IN.)							VOL. CU. IN.
			TYPICAL C	MAX. L1	TYPICAL L2	TYPICAL L3	MAX. H	MAX. Q	MAX. W	
E984D-CAR	1/2	10	1/16	4 1/16	3 1/2	3/16	1 1/16	1 1/2	1 1/2	4.0
E984E	3/4	20	29/32	6 1/2	5 1/2	4 2/32	1 1/2	1 1/4	2 1/2	12.0
E984F-CAR	1	10	29/32	6 1/2	5 1/2	4 2/32	1 1/2	1 1/4	2 1/2	12.0
E984G-CAR	1 1/4	5	1 1/2	7 3/32	6 1/32	6	2 1/8	2 1/2	2 3/4	32.0
E984H	1 1/2	10	1/32	7 3/32	6 1/32	6	2 1/8	2 1/2	2 3/4	32.0
E984J	2	10	1/32	9 1/2	8 1/2	7/4	2 1/8	3 1/2	3 1/2	63.0



LR31146



LISTED E11461

Except where noted by ▶

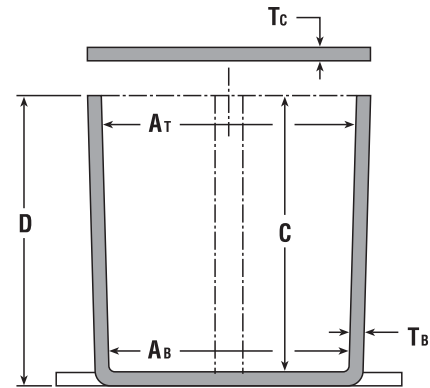
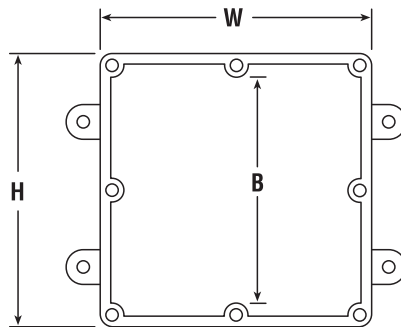
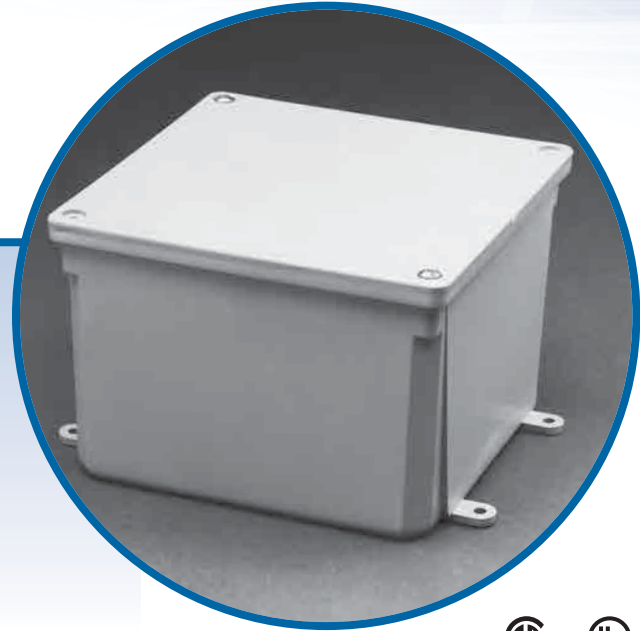


### Molded Non-Metallic Junction Boxes — 6P Rated

Non-metallic junction boxes are UL Listed with a NEMA 6P rating per Section 314.29, Exception of the National Electrical Code® and CSA Certified per Section 12 of the Canadian Electrical Code. Manufactured from PVC or PPO thermoplastic molding compound and featuring foam-in-place gasketed lids attached with stainless steel screws, these rugged enclosures offer all the corrosion resistance and physical properties you need for direct burial applications.

Type 6P enclosures are intended for indoor or outdoor use, primarily to provide a degree of protection against contact with enclosed equipment, falling dirt, hose-directed water, entry of water during prolonged submersion at a limited depth and external ice formation.

- All Carlton® Junction Boxes are UL Listed/CSA Certified and maintain a minimum of a NEMA Type 4/4x Rating
- Part numbers with an asterisk (\*) are UL Listed and maintain a NEMA Type 6P Rating and Type 4/4X Rating



Carlton® Non-Metallic Rigid Conduit, Fittings and Accessories

CAT. NO.	SIZE (IN.) H X W X D	STD. CTN.	DIMENSIONS (IN.)						MATERIAL		STD. WT. (LBS.)
			MIN. Ar	MIN. As	MIN. B	MIN. C	Ts	Tc	PVC	THERMO-PLASTIC	
E989NNJ*	4 x 4 x 2	10	3 <sup>1</sup> / <sub>16</sub>	3 <sup>1</sup> / <sub>8</sub>	N/A	2	.160	.155	X		3
E987N*	4 x 4 x 4	10	3 <sup>1</sup> / <sub>16</sub>	3 <sup>1</sup> / <sub>2</sub>	N/A	4	.160	.155	X		4
† E989NNR*	4 x 4 x 6	10	3 <sup>1</sup> / <sub>16</sub>	3 <sup>1</sup> / <sub>8</sub>	N/A	6	.160	.200	X		5
E989PPJ*	5 x 5 x 2	10	4 <sup>1</sup> / <sub>16</sub>	4 <sup>1</sup> / <sub>2</sub>	N/A	2	.110	.150		X	3
E987R-CAR*	6 x 6 x 4	2	6	5 <sup>1</sup> / <sub>8</sub>	N/A	4	.190	.190		X	3
E989RRR-UPC*	6 x 6 x 6	8	5 <sup>1</sup> / <sub>8</sub>	5 <sup>1</sup> / <sub>8</sub>	N/A	6	.160	.150		X	14
E989N-CAR	8 x 8 x 4	1	8	8	N/A	4	.185	.190		X	2
E989SSX-UPC	8 x 8 x 7	2	7 <sup>1</sup> / <sub>32</sub>	7 <sup>1</sup> / <sub>8</sub>	N/A	7	.160	.150		X	6
E989UUN	12 x 12 x 4	3	11 <sup>1</sup> / <sub>8</sub>	11 <sup>1</sup> / <sub>2</sub>	11 <sup>1</sup> / <sub>8</sub>	4	.160	.150		X	12
E989R-UPC	12 x 12 x 6	2	11 <sup>1</sup> / <sub>16</sub>	11 <sup>1</sup> / <sub>8</sub>	11 <sup>1</sup> / <sub>16</sub>	6	.265	.185		X	10

Corporate Office  
Tel: 901.252.8000  
800.816.7809  
Fax: 901.252.1354

Customer Service  
Tel: 800.816.7809  
Fax: 800.816.7810

Technical Services  
Tel: 888.862.3289  
Fax: 901.252.1321

Tool Services  
Tel: 800.284.8665

**Thomas & Betts**

www.tnb.com



# Carlton®

## Junction Boxes

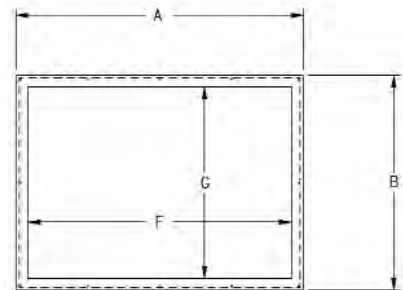
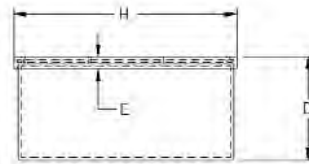
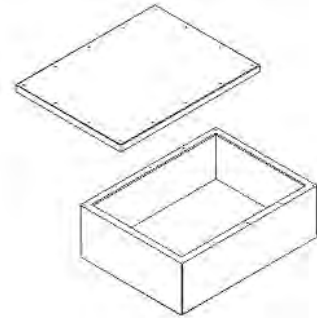
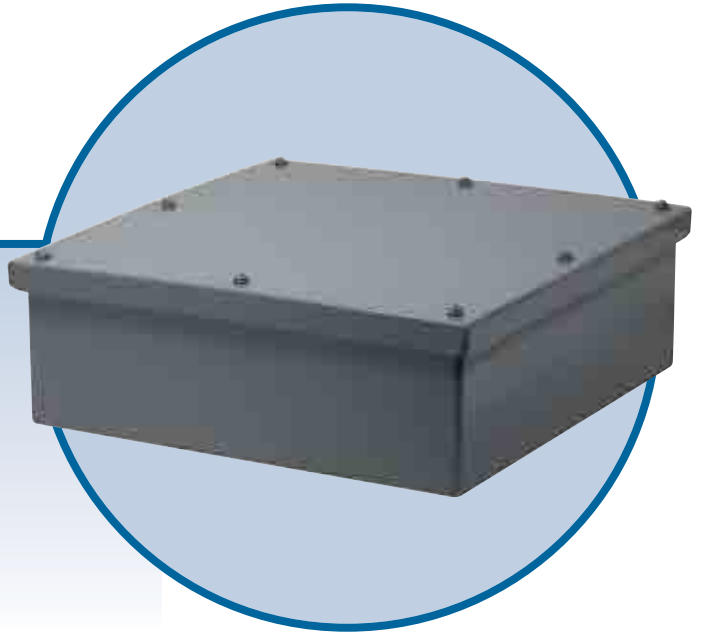
Carlton® Non-Metallic Rigid Conduit, Fittings and Accessories

### Large PVC Junction Boxes/ NEMA 4X

Large PVC Junction Boxes are fabricated from Type II PVC sheet. Reduce the use of steel boxes and keep your wiring connections clean, safe and dry using these high-quality, fully gasketed junction boxes.

#### Features and Benefits:

- PVC Type II material with “Uni-Body” construction and penetration welding providing a very strong, durable enclosure
- UL-94V-0 flame rating
- Suitable for exposure of up to 90°C
- PVC material enables the use of standard solvent cements for fitting attachment
- Junction boxes are available with or without mounting flanges
- Individual mounting feet are available and provided in kits of four
- Custom features such as windows or panel mounts are available
- Custom sizes are also available upon request
- Made in the USA



CAT. NO.	DIMENSIONS (IN.)								STD. WT. (LBS.)
	A	B	C	D	E	F	G	H	
EP12128	12	12	8	8.25	1.00	10.5	10.5	12.75	11
EP181812	18	18	12	12.25	1.00	16	16	18.75	21
EP201808	20	18	8	8.25	1.00	18	16	18.75	20
EP202008	20	20	8	8.25	1.00	18	18	20.75	22
EP241808	24	18	8	8.25	1.00	22	16	18.75	24
EP242008	24	20	8	8.25	1.00	21.5	17.5	20.75	25
EP242408	24	24	8	8.25	1.00	21.5	21.5	24.75	29
EP302408	30	24	8	8.25	1.00	27.5	21.5	24.75	34
EP362408	36	24	8	8.25	1.00	33.5	21.5	24.75	39

### Accessories

CAT. NO.	DESCRIPTION	STD. WT. (LBS.)
ESMFK-1	“CleverMount” Mounting Feet (4 Feet and Fasteners)	5

**Thomas & Betts**

www.tnb.com

Corporate Office  
Tel: 901.252.8000  
800.816.7809  
Fax: 901.252.1354

Customer Service  
Tel: 800.816.7809  
Fax: 800.816.7810

Technical Services  
Tel: 888.862.3289  
Fax: 901.252.1321

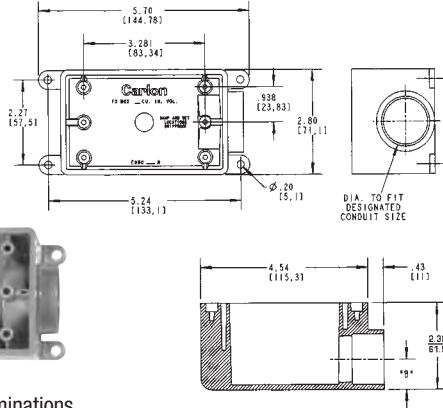
Tool Services  
Tel: 800.284.8665





### Single-Gang FS Boxes

#### Type FSE

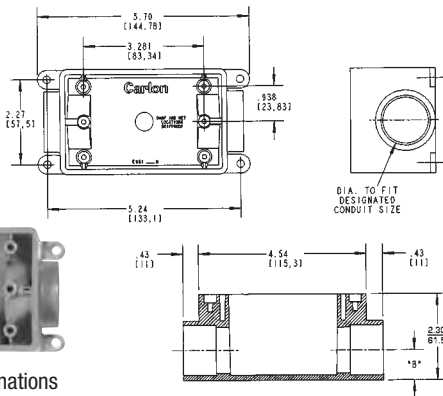


- For dead-end terminations
- All sizes take standard covers and accessories or devices
- Integral mounting feet provide easy mounting

CAT. NO.	SIZE (IN.)	VOL. CU. IN.	STD. CTN.
E980DFN	½	19	10
☛ C980DFN-CTN	½	18	12
E980EFN	¾	19	10
☛ C980EFN-CTN	¾	18	12
E980FFN	1	19	18
☛ C980FFN-CTN	1	18	8
E980FFN-CAR	1	19	10

☛ Canada Only

#### Type FSC

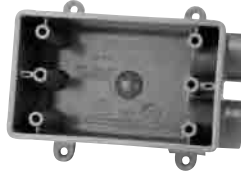
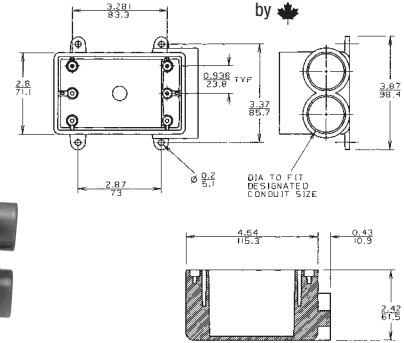


- For through terminations
- All sizes take standard covers and accessories or devices
- Detachable mounting feet provide easy mounting

CAT. NO.	SIZE (IN.)	VOL. CU. IN.	STD. CTN.
E981DFN	½	19	15
☛ C981DFN-CTN	½	18	12
E981EFN	¾	19	15
☛ C981EFN-CTN	¾	18	12
E981FFN	1	19	18
E981FFN-CAR	1	19	10
☛ C981FFN-CTN	1	18	8

☛ Canada Only

#### Type FSS

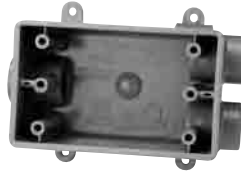
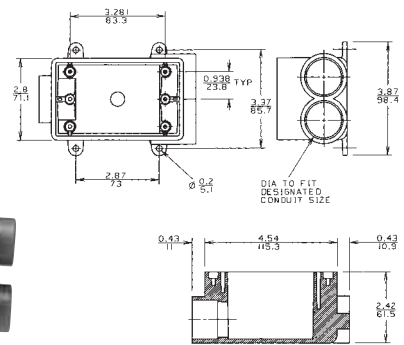


- For multiple dead-end circuit terminations or where additional support is required in stub-up applications
- All sizes take standard covers and accessories or devices
- Detachable mounting feet provide easy mounting

CAT. NO.	SIZE (IN.)	VOL. CU. IN.	STD. CTN.
E982DFN	½	19	10
☛ C982DFN-CTN	½	18	12
E982EFN	¾	19	10
☛ C982EFN-CTN	¾	18	12
E982FFN	1	19	10
☛ C982FFN-CTN	1	18	8

☛ Canada Only

#### Type FSCC



- For multiple through-circuit terminations or where additional support is required in stub-up applications
- All sizes take standard covers and accessories or devices
- Detachable mounting feet provide easy mounting

CAT. NO.	SIZE (IN.)	VOL. CU. IN.	STD. CTN.
E979DFN-CAR	½	19	10
☛ C979DFN	½	18	15
E979EFN-CAR	¾	19	10
☛ C979EFN	¾	18	15
E979FFN	1	19	15
☛ C979FFN	1	18	15

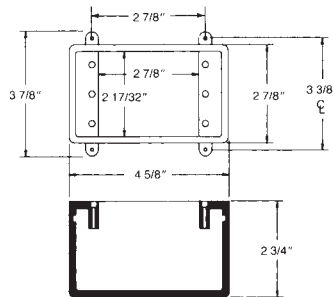
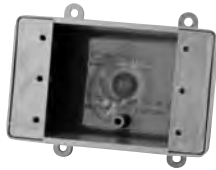
☛ Canada Only

Carlton® Non-Metallic Rigid Conduit, Fittings and Accessories

### Single-Gang FD Deep Device Boxes



#### Type FD

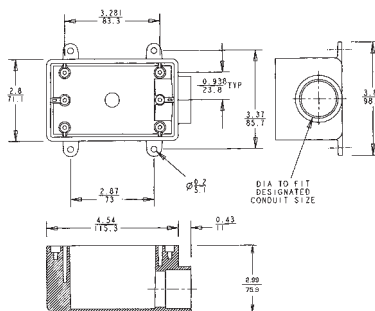


- For terminations where hub requirements vary according to application — hubs easily made with flared wood bit or hole saw
- All sizes take standard covers and accessories or devices
- Integral mounting feet provide easy mounting

CAT. NO.	SIZE (IN.)	VOL. CU. IN.	STD. CTN.
E9801	N/A	25	10
☛ CE9801-CTN	N/A	25	10
☛ C9801-347	N/A	25	10

☛ Canada Only

#### Type FDE

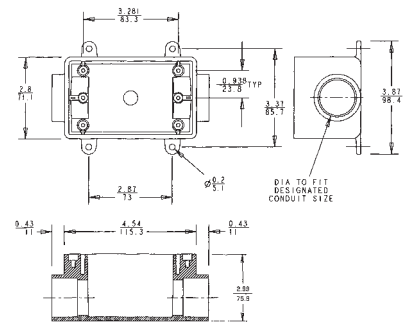


- For dead-end terminations where large devices or additional wiring capacity is required
- All sizes take standard covers and accessories or devices
- Integral mounting feet provide easy mounting

CAT. NO.	SIZE (IN.)	VOL. CU. IN.	STD. CTN.
E9801DN	1/2	25	10
☛ C9801DN	1/2	25	10
E9801EN	3/4	25	10
☛ C9801EN	3/4	25	10
E9801FN	1	25	10
☛ C9801FN	1	25	10

☛ Canada Only

#### Type FDC



- For through terminations where large devices or additional wiring capacity is required
- All sizes take standard covers and accessories or devices
- Integral mounting feet provide easy mounting

CAT. NO.	SIZE (IN.)	VOL. CU. IN.	STD. CTN.
E9811DN	1/2	25	10
☛ C9811DN	1/2	25	10
E9811EN	3/4	25	10
☛ C9811EN	3/4	25	10
E9811FN	1	25	10
☛ C9811FN	1	25	10

☛ Canada Only

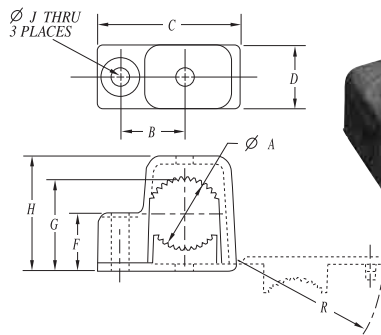


### Snap Strap™ Conduit Support Straps

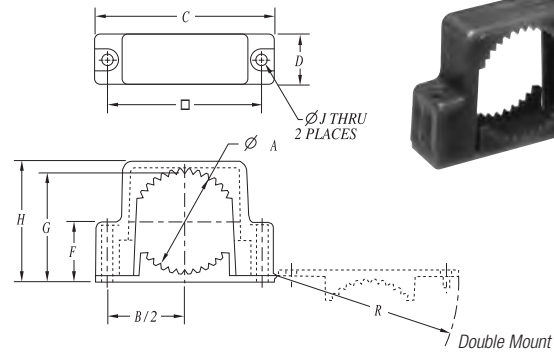
Carlton's Snap Strap™ offers a unique support strap designed especially for the installation of PVC conduit. Also usable for installations of rigid steel. This high-strength, non-metallic clamp enables conduit to expand and contract freely, eliminating the bowing commonly seen from the expansion and contraction of conduit caused by varying temperature changes. Finished installations have a neat, attractive appearance on exposed applications.

To be used in accordance with conduit spacing requirements per the NEC®, Section 352.30 and 12-1114 of the CEC. This part is not supplied with screws.

- UV inhibited for use in direct sunlight



Single Mount



Double Mount

#### Single Mount

CAT. NO.	SIZE IN. (MM)	STD. CTN.	STD. WT. (LBS.)	DIMENSIONS IN. (MM)								
				A	B	C	D	F	G	H	J	R
E978DC-CAR	½ (16)	40	1	0.80 (20.3)	.75 (1.90)	1.63 (41.4)	0.75 (19.1)	.68 (14.9)	1.08 (25.1)	1.36 (34.5)	.21 (5.33)	1.67 (42.4)
E978EC-CAR	¾ (21)	40	3	1.00 (25.4)	.88 (22.4)	1.92 (48.7)	0.75 (19.1)	.79 (17.8)	1.29 (30.4)	1.58 (39.9)	.21 (5.33)	1.96 (49.8)
E978FC-CAR	1 (27)	30	4	1.20 (30.5)	1.02 (25.9)	2.17 (55.1)	0.75 (19.1)	.92 (21.1)	1.54 (36.3)	1.84 (46.7)	.21 (5.33)	2.22 (56.3)

#### Double Mount

CAT. NO.	SIZE IN. (MM)	STD. CTN.	STD. WT. (LBS.)	DIMENSIONS IN. (MM)								
				A	B	C	D	F	G	H	J	R
E978GC-CAR	1¼ (35)	15	4	1.66 (42.16)	2.75 (69.9)	3.23 (82.0)	1.00 (25.4)	1.07 (24.1)	1.90 (45.2)	2.15 (54.61)	.218 (5.54)	3.28 (83.3)
E978HC-CAR	1½ (41)	15	5	1.92 (48.77)	3.05 (77.5)	3.53 (89.7)	1.00 (25.4)	1.20 (27.4)	2.16 (51.8)	2.40 (60.96)	.218 (5.54)	3.58 (90.9)
E978JC-CAR	2 (53)	10	5	2.34 (59.44)	3.50 (88.9)	4.00 (101.6)	1.00 (25.4)	1.43 (33.3)	2.59 (63.0)	2.86 (72.64)	.218 (5.54)	4.06 (103.1)



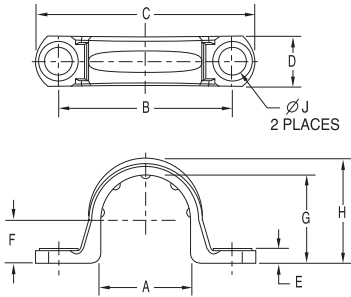


### Non-Metallic Clamps

Non-metallic clamps offer the same chemical resistance as Carlton® non-metallic conduits for a complete, corrosion-resistant system.

To be used in accordance with conduit spacing requirements per the NEC®, Section 352.30 and 12-1114 of the CEC.

- UV inhibited for use in direct sunlight



Conduit Clamp

### Conduit Clamps

CAT. NO.	SIZE IN. (MM)	STD. CTN.	STD. WT. (LBS.)	DIMENSIONS IN. (MM)								
				A	B	C	D	E	F	G	H	J
E977DC	½ (16)	100	1.2	0.892 (22.6)	1.71 (43.4)	2.16 (54.8)	0.50 (12.7)	.14 (3.5)	.42 (10.6)	.866 (21.9)	1.04 (26.4)	.260 (6.6)
E977EC	¾ (21)	100	1.4	1.102 (27.9)	1.97 (50.0)	2.40 (60.9)	0.50 (12.7)	.14 (3.5)	.525 (13.3)	1.076 (27.3)	1.255 (31.8)	.260 (6.6)
E977FC	1 (27)	100	2	1.39 (35.3)	2.25 (57.1)	2.81 (71.3)	0.594 (15.0)	.14 (3.5)	.658 (16.7)	1.342 (34.0)	1.574 (39.9)	.260 (6.6)
E977GC	1¼ (35)	50	5	1.714 (43.5)	2.68 (68.0)	3.28 (83.3)	.64 (16.2)	.15 (3.8)	.83 (21.0)	1.687 (42.8)	1.89 (48.0)	.320 (8.1)
E977HC	1½ (41)	50	6	1.92 (48.7)	2.82 (71.6)	3.44 (87.3)	.70 (17.7)	.15 (3.8)	.97 (24.6)	1.93 (49.0)	2.12 (53.8)	.312 (7.9)
E977JC	2 (53)	25	4.5	2.54 (64.5)	3.54 (89.9)	4.18 (106.1)	.76 (19.3)	.16 (4.0)	1.05 (26.6)	2.29 (58.1)	2.49 (63.2)	.315 (8.0)
E977KC-CAR	2½ (63)	25	1.4	2.86 (72.6)	4.50 (114.3)	5.46 (138.7)	1.00 (25.4)	.20 (5.08)	1.43 (36.3)	2.86 (72.6)	3.12 (79.2)	.36 (9.14)
E977LC-CAR	3 (78)	20	1.4	3.47 (88.2)	5.00 (127.0)	6.00 (152.4)	1.00 (25.4)	.20 (5.08)	1.74 (44.3)	3.48 (88.4)	3.70 (94.0)	.36 (9.14)
E977NC-CAR	4 (103)	15	12.2	4.366 (110.9)	6.15 (156.2)	7.20 (182.9)	1.00 (25.4)	.20 (5.08)	2.32 (58.8)	4.50 (114.3)	4.70 (119.4)	.36 (9.14)

\*NOTE: Some clamp applications require 2 screws, 2 nuts and 2 washers.

Non-Metallic Rigid Conduit, Fittings and Accessories

# Carlton®

## Clamps

### Carlton® Masonry Pipe Clamps

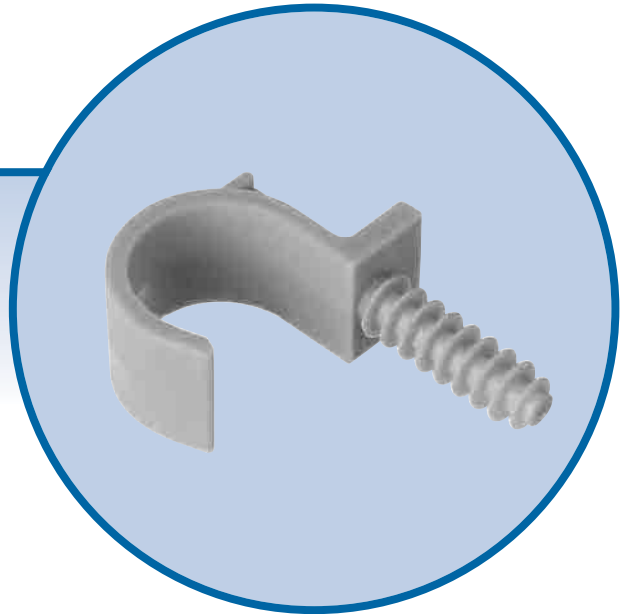
Carlton® Masonry Pipe Clamps make installations faster and easier by eliminating the use of bolts and anchors. The one-piece design features an anchoring projection designed to push into a 5/16" drill hole.

The clamps are used to securely support pipe/conduit and electrical cables on concrete and masonry block, and unlike metallic clamps Carlton® Masonry Clamps won't rust or corrode.

Carlton® Masonry Pipe Clamps are available in sizes 1/2" and 3/4" and are ideal for commercial applications such as schools, hospitals, airports, condominiums, hotels, airports, office buildings and casinos.

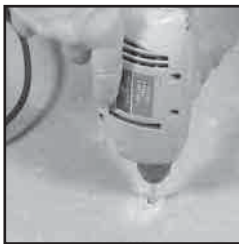
#### Features

- One-piece design
- Material: Nylon PA6
- Color: Gray
- Flame resistance: V2
- Anchor length: 1.2" threaded
- Drill hole: 5/16"



### Installation:

1



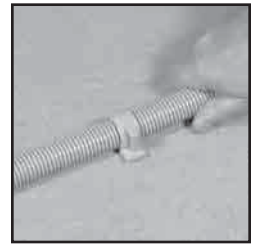
Using a 5/16" masonry drill bit, drill a hole into the concrete.

2



Tap clamp with hammer until fully inserted.

3



Hang desired conduit onto the clamp.

CAT. NO.	SIZE (IN.)	STD. CTN.	STD. WT. (LBS.)
E977NDC-CTN	1/2	12 (Equals 12 bags of 5 Clamps)	1.2
E977NEC-CTN	3/4	12 (Equals 12 bags of 5 Clamps)	1.3

**Thomas & Betts**

www.tnb.com

Corporate Office  
Tel: 901.252.8000  
800.816.7809  
Fax: 901.252.1354

Customer Service  
Tel: 800.816.7809  
Fax: 800.816.7810

Technical Services  
Tel: 888.862.3289  
Fax: 901.252.1321

Tool Services  
Tel: 800.284.8665



### Corrosion Resistance of Carlton® Schedule 40 and Schedule 80 Fittings

Carlton Schedule 40 and Schedule 80 Fittings are generally acceptable for use in environments containing the chemicals **below**. These environmental-resistance ratings are based upon tests where the specimens were placed in complete submergence in the reagent listed. Schedule 40 and Schedule 80 Fittings can be used in many process areas where chemicals not on this list

are manufactured or used because worker safety requirements dictate that any air presence or splashing be at a very low level.

**If there are any questions about specific suitability in a given environment, prototype samples should be tested under actual conditions.**

Carlton® Non-Metallic Rigid Conduit, Fittings and Accessories

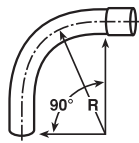
#### CHEMICAL ENVIRONMENT

Acetic Acid 0-20%	Bleach – 12.5% Active CL2	Cottonseed Oil	Hydrogen Phosphide	Palmitic Acid 10%	Sodium Cyanide
Acetic Acid 20-30%	Borax	Cresylic Acid 50%	Hydrogen Sulfide – Dry	Perchloric Acid 10%	Sodium Dichromate
Acetic Acid 30-60%	Boric Acid	Crude Oil – Sour	Hydrogen Sulfide –	Phenylhydrazine	Sodium Ferricyanide
Acetic Acid 80%	Brine	Crude Oil – Sweet	Aqueous Solution	Hydrochloride	Sodium Ferrocyanide
Acetic Acid – Glacial	Breeder Pellets – Dane. Fish	Deminerlized Water	Hydroquinone	Phosgene, Gas	Sodium Fluoride
Acetic Acid Vapors	Bromic Acid	Dextrin	Hydroxylamine Sulfate	Phosphoric Acid – 0-25%	Sodium Hydroxide
Acetylene	Bromine – Water	Dextrose	Iodine	Phosphoric Acid – 25-50%	Sodium Hypochlorite
Adipic Acid	Butane	Diglycolic Acid	Kerosene	Phosphoric Acid – 50-85%	Sodium Nitrate
Alum	Butadiene	Disodium Phosphate	Lactic Acid 28%	Photographic Chemicals	Sodium Nitrite
Aluminum Chloride	Butyl Alcohol	Ethyl Alcohol	Lauric Acid	Plating Solutions	Sodium Sulfate
Aluminum Fluoride	Butyl Phenol	Ethylene Glycol	Lauryl Chloride	Potassium Bicarbonate	Sodium Sulfide
Aluminum Hydroxide	Butylene	Fatty Acids	Lauryl Sulfate	Potassium Bichromate	Sodium Sulfite
Aluminum Oxychloride	Butyric Acid	Ferric Chloride	Lead Acetate	Potassium Borate	Sodium Thiosulfate (Hypo)
Aluminum Nitrate	Calcium Bisulfite	Ferric Nitrate	Lime Sulfur	Potassium Bromide	Stannic Chloride
Aluminum Sulfate	Calcium Carbonate	Ferric Sulfate	Linoleic Acid	Potassium Carbonate	Stannous Chloride
Ammonia-Dry Gas	Calcium Chlorate	Ferrous Chloride	Linseed Oil	Potassium Chloride	Stearic Acid
Ammonium Bifluoride	Calcium Chloride	Ferrous Sulfate	Lubricating Oils	Potassium Chromate	Sulfur
Ammonium Carbonate	Calcium Hydroxide	Fluorine Gas – Wet	Magnesium Carbonate	Potassium Cyanide	Sulfur Dioxide – Gas Dry
Ammonium Chloride	Calcium Hypochlorite	Fluorine Gas – Dry	Magnesium Chloride	Potassium Dichromate	Sulfur Trioxide
Ammonium Hydroxide 28%	Calcium Nitrate	Fluoroboric Acid	Magnesium Hydroxide	Potassium Ferricyanide	Sulfuric Acid – 0-10%
Ammonium Metaphosphate	Calcium Sulfate	Fluosilicic Acid	Magnesium Nitrate	Potassium Ferrocyanide	Sulfuric Acid – 10-75%
Ammonium Nitrate	Carbonic Acid	Formaldehyde	Magnesium Sulfate	Potassium Fluoride	Sulfuric Acid – 75-90%
Ammonium Persulfate	Carbon Dioxide Gas – Wet	Formic Acid	Maleic Acid	Potassium Hydroxide	Sulfurous Acid
Ammonium Phosphate – Neutral	Carbon Dioxide – Aqueous Solution	Fructose	Malic Acid	Potassium Nitrate	Tannic Acid
Ammonium Sulfate	Carbon Monoxide	Gallic Acid	Mercuric Chloride	Potassium Perborate	Tanning Liquors
Ammonium Sulfide	Caustic Potash	Gas – Coke Oven	Mercuric Cyanide	Potassium Perchlorite	Tartaric Acid
Ammonium Thiocyanate	Caustic Soda	Gas – Natural (Dry)	Mercurous Nitrate	Potassium Permanganate 10%	Titanium Tetrachloride
Amyl Alcohol	Chloracetic Acid	Gas – Natural (Wet)	Mercury	Potassium Persulfate	Triethanolamine
Antraquinone	Chloral Hydrate	Gasoline – Sour	Methyl Sulfate	Potassium Sulfate	Trimethyl Propane
Antraquinonesulfonic Acid	Chlorine Gas (Dry)	Gasoline – Refined	Methylene Chloride	Potassium Sulfate	Trisodium Phosphate
Antimony Trichloride	Chlorine Gas (Moist)	Glucose	Mineral Oils	Propene	Turpentine
Aqua Regia	Chlorine Water	Glycerine (Glycerol)	Naphthalene	Propyl Alcohol	Urea
Arsenic Acid 80%	Chlorosulfonic Acid	Glycol	Nickel Chloride	Silicic Acid	Vinegar
Arylsulfonic Acid	Chrome Alum	Glycolic Acid	Nickel Nitrate	Silver Cyanide	Whiskey
Barium Carbonate	Chromic Acid 10%	Green Liquor (Paper Industry)	Nitric Acid, Anhydrous	Silver Nitrate	White Liquor (Paper Industry)
Barium Chloride	Chromic Acid 30%	Heptane	Nitric Acid 20%	Silver Plating Solutions	Wines
Barium Hydroxide	Chromic Acid 40%	Hexanol, Tertiary	Nitric Acid 40%	Sodium Acetate	Zinc Chloride
Barium Sulfate	Chromic Acid 50%	Hydrobromic Acid 20%	Nitric Acid 60%	Sodium Arsenite	Zinc Chromate
Barium Sulfide	Citric Acid	Hydrochloric Acid 0% - 25%	Nitrobenzene	Sodium Benzoate	Zinc Cyanide
Beet – Sugar Liquor	Copper Chloride	Hydrochloric Acid 25% - 40%	Nitrous Oxide	Sodium Bicarbonate	Zinc Nitrate
Benzene Sulfonic Acid 10%	Copper Cyanide	Hydrocyanic Acid or	Oils and Fats	Sodium Bisulfate	Zinc Sulfate
Benzoic Acid	Copper Fluoride	Hydrogen Cyanide	Oils – Petroleum – (See Type)	Sodium Bisulfite	
Bismuth Carbonate	Copper Nitrate	Hydrofluoric Acid 10%	Oleic Acid	Sodium Bromide	
Black Liquor (Paper Industry)	Copper Sulfate	Hydrofluorosilicic Acid	Oxalic Acid	Sodium Chlorate	
				Sodium Chloride	

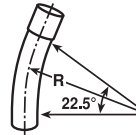
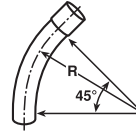
### Deep-Socket Schedule 40 Utility Elbows with Integral Belled Ends

Non-UL Listed

SEGMENT	CAT. NO.	NOM. DIA. (IN.)	RADIUS (IN.)	STD. CTN.	STD. WT. (LBS.)
90° SWEEP	UC9BHB	1½	12	20	25.00
	UC9DHB	1½	24	1	2.13
	UC9FHB	1½	36	1	3.05
	UC9BJB	2	12	1	1.44
	UC9DJB	2	24	1	2.82
	UC9FJB	2	36	1	4.14
	UC9HJB	2	48	1	5.15
	UC9DKB	2½	24	1	5.00
	UC9FKB	2½	36	1	7.15
	UC9DLB	3	24	1	6.57
	UC9FLB	3	36	1	9.15
	UC9DNB	4	24	1	10.59
	UC9FNB	4	36	1	13.64
	UC9HNB	4	48	1	17.72
	UC9FRB	6	36	1	25.80
	UC9HRB	6	48	1	32.24

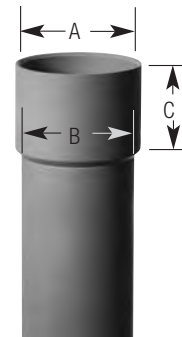


SEGMENT	CAT. NO.	NOM. DIA. (IN.)	RADIUS (IN.)	STD. CTN.	STD. WT. (LBS.)
45° ELBOW	UC7FHB	1½	36	1	1.74
	UC7FJB	2	36	1	2.07
	UC7CKB	2½	18	1	2.27
	UC7FKB	2½	36	1	4.12
	UC7FLB	3	36	1	5.00
	UC7FNB	4	36	1	8.15
	UC7HNB	4	48	1	9.36
	UC7HRB	6	48	1	17.19
22½° ELBOW	UC7ITB	8	60	1	33.00
	UC5CKB	2½	18	1	1.45
	UC5FKB	2½	36	1	2.49
	UC5FNB	4	36	1	5.18
	UC5FRB	6	36	1	11.82
	UC5HNB	4	48	1	5.57



### Utility Elbow Bells (Dimensions in Inches)

TRADE SIZE	A AT ENTRANCE	B AT BOTTOM	C NOMINAL BELL
1½	1.921 ± .005	1.894 ± .006	2¾ ± ⅛
2	2.400 ± .005	2.369 ± .012	2¾ ± ⅛
2½	2.906 ± .005	2.868 ± .007	3 ± ⅛
3	3.538 ± .005	3.492 ± .008	3 ± ⅛
4	4.544 ± .005	4.491 ± .009	3¾ ± ⅛
5	5.614 ± .005	5.553 ± .010	4¾ ± ⅛
6	6.687 ± .005	6.614 ± .011	5¾ ± ⅛
8	8.687 ± .005	8.636 ± .005	6¾ ± ⅛

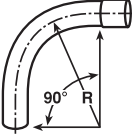


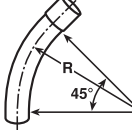
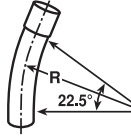




## Rigid Non-Metallic Long Belled Utility Conduit

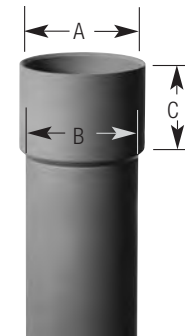
Non-UL Listed

SEGMENT	CAT. NO.	NOM. DIA. (IN.)	RADIUS (IN.)	STD. CTN.	STD. WT. (LBS.)
90° ELBOW 	UC9CJBLB	2	18	1	1.3
	UC9DJBLB	2	24	1	1.4
	UC9DLBLB	3	24	1	5.0
	UC9DNBLB	4	24	1	5.8
	UC9DPBLB	5	24	1	8.5
	UC9FJBLB	2	36	1	2.2
	UC9FLBLB	3	36	1	5.2
	UC9FNBLB	4	36	1	7.8
	UC9FPBLB	5	36	1	11.1
	UC9FRBLB	6	36	1	9.6
	UC9HJBLB	2	48	1	2.8
	UC9HLBLB	3	48	1	12.0
	UC9HNBLB	4	48	1	9.7
	UC9HPBLB	5	48	1	13.7
	UC9HRBLB	6	48	1	18.1

SEGMENT	CAT. NO.	NOM. DIA. (IN.)	RADIUS (IN.)	STD. CTN.	STD. WT. (LBS.)
45° ELBOW 	UC7CJBLB	2	18	1	1.3
	UC7DJBLB	2	24	1	1.4
	UC7DLBLB	3	24	1	5.0
	UC7DNBLB	4	24	1	5.8
	UC7DPBLB	5	24	1	8.5
	UC7FJBLB	2	36	1	2.2
	UC7FLBLB	3	36	1	5.2
	UC7FNBLB	4	36	1	7.8
	UC7FPBLB	5	36	1	11.1
	UC7FRBLB	6	36	1	9.6
	UC7HJBLB	2	48	1	2.8
	UC7HLBLB	3	48	1	6.6
UC7HNBLB	4	48	1	9.7	
UC7HPBLB	5	48	1	13.7	
UC7HRBLB	6	48	1	18.1	
22½° ELBOW 	UC5FRBLB	6	36	1	9.6

### Long Belled Utility Elbow Bells (Dimensions in Inches)

TRADE SIZE	A AT ENTRANCE	B AT BOTTOM	C NOMINAL BELL
1½	1.918 ± .006	1.894 ± .006	2¼ ± ⅛
2	2.393 ± .006	2.369 ± .012	3¼ ± ⅛
2½	2.890 ± .007	2.868 ± .007	3¾ ± ⅛
3	3.515 ± .008	3.492 ± .008	4 ± ⅛
4	4.515 ± .009	4.491 ± .009	4¾ ± ⅛
5	5.593 ± .010	5.553 ± .010	5¾ ± ⅛
6	6.658 ± .011	6.614 ± .011	6¾ ± ⅛



Carlton® Non-Metallic Rigid Conduit, Fittings and Accessories