



**Q MARK<sup>®</sup>**  
A Marley Engineered Products Brand

***Quality Residential, Commercial & Industrial  
Heating Products***

# TABLE OF CONTENTS

## BASEBOARD HEATERS

2500 Electric Baseboard Heaters	Pg. 2
HBB Electric Hydronic Baseboard Heaters	Pg. 3
QMKC Commercial Baseboard Heaters	Pg. 4
CBD Heavy-Duty Commercial Baseboard Heaters	Pg. 5

## WALL HEATERS

Architectural Smart Series Wall Heaters	Pg. 6
Commercial Smart Series Wall Heaters	Pg. 7
Residential Smart Series Wall Heaters	Pg. 8
Mechanical Artisan™ Wall Heaters	Pg. 9
AWH Heavy Duty Wall Heaters	Pg. 10
CWH Commercial Fan-Forced Wall Heaters	Pg. 11
CWH1000 Commercial Fan-Forced Wall Heaters	Pg. 12
CWH3000 Commercial Fan-Forced Wall Heaters	Pg. 13
GFR Fan-Forced Wall Heaters	Pg. 14
QFG Fan-Forced Wall Heaters	Pg. 14
LFK Large Fan-Forced Wall Heaters	Pg. 15
ECP Euro Style Wall Heaters, Non-Fan-Forced	Pg. 16
SED Fan-Forced Wall Heaters	Pg. 16
COS-E™ Fan-Forced Zonal Wall Heaters	Pg. 17
EFQ Commercial Fan-Forced Wall Heaters	Pg. 17

## SPECIALTY HEATERS

QTS Toe-Space Fan-Forced Heaters	Pg. 18
WHT500 Utility Well House Heater	Pg. 18
FDI Floor Drop-In Heaters	Pg. 18
CFWF Counterflow Electric Wall Furnace	Pg. 19

## CEILING HEATERS

CDF Commercial DF Ceiling Mounted Heaters	Pg. 19
EFF Ceiling Mounted Fan-Forced Heaters	Pg. 21
QCH Ceiling Mounted Fan-Forced Heaters	Pg. 21

## UNIT HEATERS

MUH35 Unit Heater	Pg. 22
MWUH Horizontal/Downflow Unit Heater	Pg. 22
MUH Unit Heaters	Pg. 23
IUH Industrial Unit Heaters	Pg. 26
CU900 Cabinet Unit Heaters	Pg. 27
CUS900 Stock Cabinet Unit Heaters	Pg. 30
CHPR25 Compact Freeze Protection Heater	Pg. 31
MSPH Plenum Rated Heater	Pg. 32
Finned Tube Electric Duct Heaters	Pg. 33
Open Coil Electric Duct Heaters	Pg. 34

## COLOR SELECTION CHART

## PAINT POLICY

## WASHDOWN/EXPLOSION PROOF HEATERS

GUX Explosion Proof Unit Heaters	Pg. 36
----------------------------------	--------

QWD Washdown Corrosion Resistant Unit Heaters	Pg. 37
ICG Explosion Proof Convectors	Pg. 38
MSDH High Temperature Electric Blower Heater	Pg. 39
MEDH Portable Electric Blower Heater	Pg. 39
TBX Mobile Warming™	Pg. 40
KCJ Institutional Electric Convectors	Pg. 41

## CONVECTOR HEATERS

DBA and SHA Architectural Convector Heaters	Pg. 42
DBSL SlimLine Architectural Convector Heaters	Pg. 47
SLQDB Draft Barrier Heaters	Pg. 49
CPH Pedestal Heaters	Pg. 51
CSH Commercial Sill-Height Convectors	Pg. 57
DSH Decorative Sill-Height Convectors	Pg. 62
Control Sections for DBA, SHA, CSH, DSH	Pg. 67
ST Commercial Slope Top Convectors	Pg. 68

## RADIANT HEATERS

CP Standard Radiant Ceiling Panels	Pg. 70
RCC Cove Heaters	Pg. 73
HRA Infrared Plug-In Heaters	Pg. 74
VRC Commercial Infrared Heaters	Pg. 74
FRP/FRS 2 & 3 Element Infrared Heaters	Pg. 75
HRK Single Element Infrared Heaters	Pg. 77
FRR Plug-in Radiant	Pg. 77
PMRR Plug-in Radiant Heaters	Pg. 78
Roll-Around Cart Accessories	Pg. 78
BRM Industrial Infrared Heaters	Pg. 79
CRN Industrial Permanent Infrared Heaters	Pg. 79
Electric Control Panels	Pg. 80
ARL Portable Infrared Heaters	Pg. 80

## INFRARED ACCESSORIES

## PORTABLE HEATING PRODUCTS

WPC1500 Portable Convection Heater	Pg. 82
202SL Radiant Plug-in Under Desk Heater	Pg. 82
MMHD Portable Fan-Forced Utility Heater	Pg. 82
MCM Portable Fan-Forced/Radiant Utility Heater	Pg. 82
QPH4A Portable Unit Heater	Pg. 83
BRH Contractor Heater	Pg. 83
PT268 Portable Utility Heater	Pg. 83
LFH Digital Hydronic Portable Heaters	Pg. 84
FBE Portable Electric Convector Heaters	Pg. 84
FHP Portable Electric Hydronic Heater	Pg. 84

## THERMOSTATS & CONTROLS

## HEAT RECOVERY CEILING FANS

## AIR CURTAINS

	Pg. 95
--	--------

**Product Specifications may change without notice**

The following logos are used throughout this catalog. Use this legend for clarification.



These products are U.L. listed by Underwriters Laboratory, ensuring that the products have passed Underwriters Laboratory's rigorous testing procedures for electrical products and have assigned the listing number required for specific electrical codes.



The CSA mark is recognized and accepted throughout Canada and the U.S., at federal, state, provincial, and municipal levels. It means that the product is certified for the Canadian and US markets, and is certified to the applicable Canadian and US standards.



A product bearing the c ETL us Listed mark signifies that it was tested and meets the minimum requirements of prescribed product safety standards for US and Canada. Moreover, the mark indicates that the manufacturer's production site conforms to a range of compliance measures and is subject to periodic follow-up inspections to verify continued conformance.

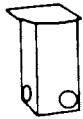
# ELECTRIC BASEBOARD HEATERS

## 2500

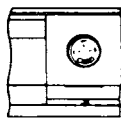


### DIMENSIONS:

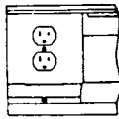
6-3/4" High, 2-7/8" Deep.  
Length varies with model. See Table Below.



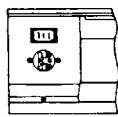
INSIDE CORNER SECTION



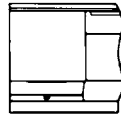
TA1A, TA2A



RA1



HCA



RSA

CATALOG NUMBER	UPC 0 98319	VOLTS	WATTS	LGTH.	SHIP WT. (LBS.)
2542W	73002 2	240/208	400/300	2'	5.2
25426W	73006 0	240/208	500/376	2'6"	6.3
2543W	73010 7	240/208	750/564	3'	7.5
2544W	73014 5	240/208	1000/752	4'	10
2545W	73018 3	240/208	1250/940	5'	11.5
2546W	73022 0	240/208	1500/1128	6'	14
2548W	73025 1	240/208	2000/1504	8'	18.5
25408W	72982 8	240/208	2500/1880	8'	18.5
2512W	73000 8	120	400	2'	5.2
25126W	73004 6	120	500	2'6"	6.3
2513W	73008 4	120	750	3'	7.5
2514W	73012 1	120	1000	4'	10
2515W	73016 9	120	1250	5'	11.5
2516W	73020 6	120	1500	6'	14
2502W	73001 5	208	400	2'	5.2
25026W	73005 3	208	500	2'6"	6.3
2503W	73009 1	208	750	3'	7.5
2504W	73013 8	208	1000	4'	10
2505W	73017 6	208	1250	5'	11.5
2506W	73002 1	208	1500	6'	14
2508W	73024 4	208	2000	8'	18.5
25008W	72981 1	208	2500	8'	18.5
2572W	73003 9	277/240/208	400/300/225	2'	5.2
25726W	73007 7	277/240/208	500/376/282	2'6"	6.3
2573W	73011 4	277/240/208	750/564/423	3'	7.5
2574W	73015 2	277/240/208	1000/752/564	4'	10
2575W	73019 0	277/240/208	1250/940/705	5'	11.5
2576W	73023 7	277/240/208	1500/1128/846	6'	14
2578W	73026 8	277/240/208	2000/1504/1128	8'	18.5
25708W	72983 5	277/240/208	2500/1880/1410	8'	18.5

### High Altitude

Baseboard Heater (mounted above 7500 ft.), add suffix "H" to catalog number.

**NOTE:** Eight foot length baseboards must be ordered in multiples of two pieces for shipment.

**NOTE:** For Northern-white units, add NW suffix to catalog number. ex. (2544NW).

\* Add NW suffix for Northern White.

### APPLICATIONS:

For use in residential construction such as single family homes, apartments, modular or mobile homes as well as commercial, industrial and institutional construction as primary, secondary or supplemental heat for new construction or remodel applications.

### FEATURES:

- Easily installed without disassembly.
- Lead wires allow quick field connection to either end of heater.
- Easy out knockouts at each end for convenient wiring.
- Chimney fin element design for maximum air circulation. Airflow is directed away from walls to help prevent wall soiling.
- UL listed for installation on wall at floor level with wall-to-wall carpeting. Heater stands unsupported during installation.
- Navajo White enamel finish retains attractive appearance and is compatible with all interior decors.
- Pre-notched mounting guide marks for fast and easy installation without disassembling the unit.
- Built-in cable clamp in both wiring compartments to restrain incoming cables without using additional hardware.
- Permanently attached copper grounding wire in each wiring compartment.

### Controls & Accessories for Heaters (Installs in either Junction Box)

CATALOG NUMBER	UPC 0 98319	DESCRIPTION	SHIP WT. (LBS.)
TA1AW	73041 1	SP Thermostat, rated 22A @ 120-277V	1
TA1TPAW	73042 8	Tamper resistant version of above.	1
TA2AW	73043 5	DP Thermostat, rated 22A @ 120-277V	1
TA2TPAW	73044 2	Tamper resistant version of above.	1
HCA2415/20W	73046 6	240V Load Transfer Switch, 20A	1
HCA1215/20W	73045 9	120V Load Transfer Switch, 20A	1
RSA1224	71480 0	120V/24V Transformer Relay, 25A	1
RSA2024	71485 5	208V/24V Transformer Relay, 25A	1
RSA2424	71490 9	240V/24V Transformer Relay, 25A	1
RSA2724	71495 4	277V/24V Transformer Relay, 22A	1
RA1W	73047 3	120V Duplex Receptacle	1
DSW2W	73049 7	Double Pole Power On / Off Switch – rated 20A @ 120-277V	1
PR24	71367 4	Single Pole Power Relay, 24VControl rated 30A @ 120-240V, 23A @ 277V.	1
PR120	71368 1	Same as above except 120V Control.	1
ICAW	73050 3	Inside Corner	1
RA1COMPW	73048 0	Duplex Receptacle Cover only – carton of 10	1

### Filler Sections for 2500 Heaters

CATALOG NUMBER	UPC 0 98319	DESCRIPTION	SHIP WT. (LBS.)
FS12	73150 0	1 Ft. Filler Section	2
FS24	73151 7	2 Ft. Filler Section	4
FS36	73152 4	3 Ft. Filler Section	6
FS48	73153 1	4 Ft. Filler Section	8
FSJ2	73154 8	2-Inch Joiner Strip	1/2

# ELECTRIC HYDRONIC BASEBOARD HEATERS

## HBB



NAVAJO WHITE FINISH

### APPLICATIONS:

The HBB Series Heaters are ideal whether for new home construction, remodeling or room additions. All it takes is simple mounting and the electrical hookup - no basement boiler, no duct work, chimney, pump or plumbing. Just clean, quiet, comfortable heat, when and where it's needed.

### FEATURES:

A sheathed electric heating element is totally immersed in a heat-transfer liquid and sealed in a heater-length copper tube (Figure 1). The large diameter reservoir maximizes the volume of heat storage fluid to prolong the thermal constant of the entire heater. All available heat is delivered into the room with strong convection flow. Gentle heat keeps radiating even after the thermostat turns off because of the hydronic elements retention qualities.

**GO-ANYWHERE DESIGN** - The entire unit mounts flush to any wall and flat on any floor — wood, carpet or tile. The trim, three-inch thick functional design and low operating temperatures allow carpeting to be installed up to and around the baseboard. Efficient air flow is achieved even if the unit is mounted above the floor.

**QUALITY INSIDE AND OUT** - Heavy-duty welded steel louvered grilles discourage insertion of foreign objects and direct heat outward into the room. Designer-style junction boxes are made of high-strength Lexan® to resist scratches and wear marks. Corrosion resistant aluminum fins are pressure-fitted to copper tubing to assure rapid heat transfer and air flow. Built-in cut-off automatically shuts down the heater should any overheating occur.

CATALOG NUMBER	UPC 6 85360	VOLTS	WATTS	AMPS	LENGTH	SHIP WT. (LBS.)
HBB500	03577 2	120	500	4.2	28"	10
HBB508	03580 2	208	500	2.4		
HBB504	03578 9	240/208	500/375	2.1/1.8		
HBB750	03581 9	120	750	6.3	34"	12
HBB758	03584 0	208	750	3.6		
HBB754	03582 6	240/208	750/563	3.1/2.7	46"	15
HBB1000	03562 8	120	1000	8.3		
HBB1008	03565 9	208	1000	4.8		
HBB1004	03563 5	240/208	1000/750	4.2/3.6	58"	19
HBB1250	03566 6	120	1250	10.4		
HBB1258	03569 7	208	1250	6	70"	22
HBB1254	03567 3	240/208	1250/938	5.2/4.5		
HBB1500	03570 3	120	1500	12.5		
HBB1508	03573 4	208	1500	7.2	94"	30
HBB1504	03571 0	240/208	1500/1125	6.3/5.8		
HBB2008	03576 5	208	2000	9.6	94"	30
HBB2004	03574 1	240/208	2000/1500	8.3/7.2		

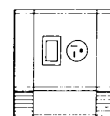
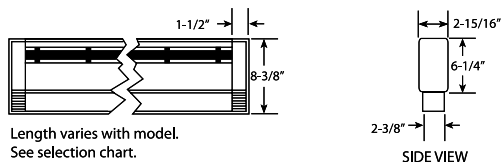
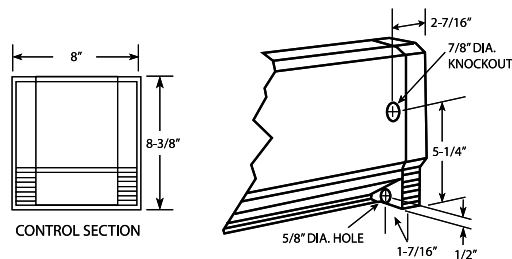


Figure 1

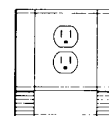
### ACCESSORIES & CONTROLS (optional)

CATALOG NUMBER	UPC 6 85360	DESCRIPTION	SHIP WT. (LBS.)
HBBT1	03557 4	25 amp @ 120-277 VAC Single Pole Thermostat Snap Action Type Field Installed in Junction Box	1
HBBT2	03559 8	25 amp @ 120-277 VAC Double Pole Thermostat Snap Action Type Field Installed in Junction Bo.	1
HBBT1TP	03558 1	Same as Model HBBT1 except Tamper resistant	1
HBBT2TP	03560 4	Same as Model HBBT2 except Tamper resistant	1
*HBBAC	03538 3	Air Conditioner Outlet Section, 20 amps @ 208/240 VAC	2
HBBDR	03542 0	Duplex Receptacle Section, 15 amps @ 120 VAC	2
HBBDSDR120	14797 0	2 Pole Disconnect switch /120v receptacle	3
HBBWS	03561 1	8" Blank Wiring Section	1
*HBLVR0	03547 5	Low Voltage Relay Control Section, 25 amps @ 120 VAC	3
*HBLVR8	03550 5	Low Voltage Relay Control Section, 25 amps @ 208 VAC	3
*HBLVR4	03548 2	Low Voltage Relay Control Section, 25 amps @ 240 VAC	3
HBBCDS2	03539 0	2 Pole Power On / Off Switch Section	2
*CBDBS2	01453 1	2' Blank Section	6
*CBDBS3	01454 8	3' Blank Section	8
*CBDBS4	01455 5	4' Blank Section	11
*CBDBS5	01456 2	5' Blank Section	14
*CBDBS6	01457 9	6' Blank Section	16
*CBDBS8	01458 6	8' Blank Section	22
*CBDCIC	01460 9	Inside Corner	1
*CBDCOC	01461 6	Outside Corner	1

\* HBBAC - HBBDR - HBLVR - HBBWS accessories add 8" to baseboard length.



\*HBBAC



\*HBBDR

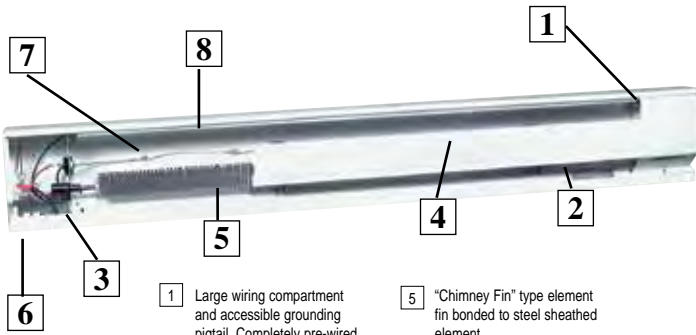


\*HBLVR

\*Add 8" to length of installation

# COMMERCIAL BASEBOARD HEATERS

## QMKC



- 1 Large wiring compartment and accessible grounding pigtail. Completely pre-wired at both ends.
- 2 Built-in Wireway.
- 3 Built-in Cable Clamps.
- 4 18 ga. Front Cover and 18 ga. Front Cover support brackets.
- 5 "Chimney Fin" type element fin bonded to steel sheathed element.
- 6 "Easy-Out" knockouts.
- 7 Element suspended such that it can expand up to 3/8" in length.
- 8 Navajo White enamel finish.

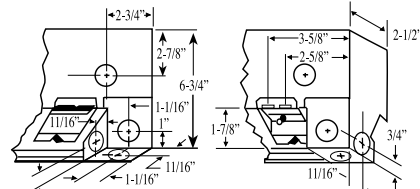


### DIMENSIONS

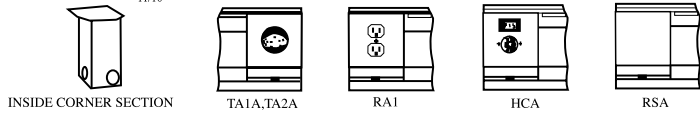
6-3/4" High, 2-7/8" Deep.  
Length varies with model. See Table Below.



Unit length varies with model. See Selection Chart



All knockouts are 7/8 inch diameter for 1/2 inch conduit.



### APPLICATIONS:

The QMKC with its complete line of accessories and controls, can solve the space heating needs of virtually any type of commercial structure. Individual room control allows you to heat — or not to heat — each room separately for utmost energy savings. Select exact temperatures, room by room.

### FEATURES:

**COMMERCIAL GRADE CONSTRUCTION.** 18-gauge front cover and brackets allow heater to withstand rigors of commercial applications.

**EASY INSTALLATION** - Can be installed without disassembly, using pre-notched guide marks in rear of cabinet.

**BUILT-IN WIREWAY** - Facilitates end-to-end installation of continuous-run heaters.

**EFFICIENT HEAT DISSIPATION** - "Chimney fin" type element designed for maximum air circulation. Air flow is directed away from walls.

**STEEL SHEATHED ELEMENT** - Heating element design combines the durability of a steel tubular heater with the excellent heat transfer characteristics of aluminum fins.

**ROOMY JUNCTION BOX** - Large, identical, pre-wired junction boxes at each end are provided with knockouts in the rear, bottom, inside and outside junction box walls. One screw allows easy access to wiring compartment.

CATALOG NUMBER	UPC 6 85360	VOLTS	WATTS	AMPS	LGTH.	SHIP WT. (LBS.)
QMKC25126W	06046 0	120	500	4.2	2'6"	7.8
QMKC25026W	06016 3	208	500	2.4		
QMKC25426W	06087 3	240/208	500/376	2.1/1.8		
QMKC25726W	06132 0	277/240/208	500/376/282	1.8/1.6/1.4	3'	9.0
QMKC2513W	06051 4	120	750	6.5		
QMKC2503W	06021 7	208	750	3.6		
QMKC2543W	06092 7	240/208	750/564	3.1/2.7	4'	11.5
QMKC2573W	06137 5	277/240/208	750/564/423	2.7/2.4/2.0		
QMKC2514W	06056 9	120	1000	8.3		
QMKC2504W	06026 2	208	1000	4.8	5'	13.0
QMKC2544W	06097 2	240/208	1000/752	4.2/3.6		
QMKC2574W	06142 9	277/240/208	1000/752/564	3.6/3.1/2.7		
QMKC2515W	06061 3	120	1250	10.4	6'	15.5
QMKC2505W	06031 6	208	1250	6.0		
QMKC2545W	06102 3	240/208	1250/940	5.2/4.5		
QMKC2575W	06147 4	277/240/208	1250/940/705	4.5/3.9/3.4	8'	20
QMKC2516W	06066 8	120	1500	12.6		
QMKC2506W	06036 1	208	1500	7.2		
QMKC2546W	06107 8	240/208	1500/1128	6.3/5.4	8'	20
QMKC2576W	06152 8	277/240/208	1500/1128/846	5.4/4.7/4.1		
QMKC2508W	06041 5	208	2000	9.6		
QMKC2548W	06112 2	240/208	2000/1504	8.3/7.2	8'	20
QMKC2578W	06157 3	277/240/208	2000/1504/1128	7.2/6.3/5.4		
QMKC25008W	06011 8	208	2500	12.0		
QMKC25408W	06082 8	240/208	2500/1880	10.4/8.7	8'	20
QMKC25708W	06127 6	277/240/208	2500/1880/1410	9.0/7.5/6.8		

NOTE: High Altitude Baseboard Heater (above 7500') add suffix "H" to catalog number.  
NOTE: Eight foot length baseboards must be ordered in multiples of two pieces for shipment.

### BKO BLANK SECTIONS

CATALOG NUMBER	UPC 6 85360	DESCRIPTION	SHIP WT. (LBS.)
QMKCBDA2W	05959 4	2'6" Blank Section	4
QMKCBDA3W	05961 7	3' Blank Section	5
QMKCBDA4W	05963 1	4' Blank Section	7
QMKCBDA5W	05965 5	5' Blank Section	9
QMKCBDA6W	05967 9	6' Blank Section	11
QMKCBDA8W	05969 3	8' Blank Section	14

See page 2 for optional controls and accessories.

# HEAVY-DUTY COMMERCIAL BASEBOARD HEATERS

CBD



NAVAJO WHITE FINISH

CATALOG NUMBER	UPC 6 85360	VOLTS	WATTS	AMPS	BTU/HR.	LGTH.	SHIP WT. (LBS.)
CBD500	01477 7	120	500	4.2	1706	28"	8
CBD508	01480 7	208	500	2.4			
CBD504	01478 4	240/208	500/375	2.1/1.8			
CBD507	01479 1	277/240/208	500/375/282	1.8/1.6/1.4			
CBD750	01481 4	120	750	6.3	2560	34"	10
CBD758	01484 5	208	750	3.6			
CBD754	01482 1	240/208	750/562	3.1/2.7			
CBD757	01483 8	277/240/208	750/562/422	2.7/2.3/2.0			
CBD1000	01462 3	120	1000	8.3	3413	46"	13
CBD1008	01465 4	208	1000	4.8			
CBD1004	01463 0	240/208	1000/750	4.2/3.6			
CBD1007	01464 7	277/240/208	1000/750/562	3.6/3.1/2.7			
CBD1250	01466 1	120	1250	10.4	4265	58"	16
CBD1258	01469 2	208	1250	6			
CBD1254	01467 8	240/208	1250/938	5.2/4.5			
CBD1257	01468 5	277/240/208	1250/938/704	4.5/3.9/3.4			
CBD1500	01470 8	120	1500	12.5	5120	70"	20
CBD1508	01473 9	208	1500	7.2			
CBD1504	01471 5	240/208	1500/1125	6.4/5.4			
CBD1507	01472 2	277/240/208	1500/1125/844	5.4/4.7/4.1			
CBD2008	01476 0	208	2000	9.6	6825	94"	27
CBD2004	01474 6	240/208	2000/1500	8.3/7.2			
CBD2007	01475 3	277/240/208	2000/1500/1125	7.2/6.3/5.4			

## APPLICATIONS:

CBD Series heavy-duty baseboard, with its complete line of accessories and controls, can solve the space heating needs of virtually any type commercial structure. Individual room control allows you to heat each room separately for utmost energy savings.

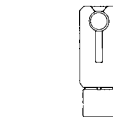
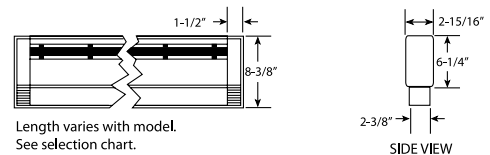
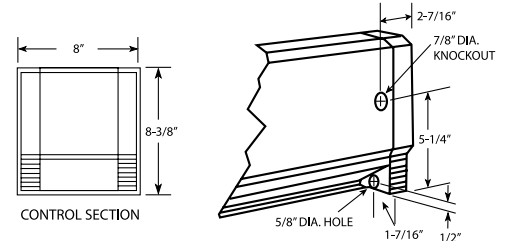
## FEATURES:

**CONSTRUCTION** — This heavy-duty baseboard is designed specifically for commercial use. The front cover is made of 16 gauge cold rolled steel. A built-in wireway runs the length of each heater.

**ELEMENT** — Heating element design combines the durability of a steel tubular heater with the excellent heat transfer characteristics of aluminum fins.

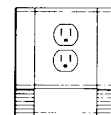
**JUNCTION BOXES** — Identical prewired junction boxes at each end are large and roomy to work in. Access to the junction box can be made from either the side of the heater. Knockouts are provided in the backside or the bottom of each heater end.

Heavy-duty welded steel louvered grilles discourage insertion of foreign objects and direct heat outward into the room. The junction boxes are made of high-strength Lexan® to resist scratches and wear marks.



HBBT1 & HBBT2

HBB1TP & HBB2TP



\*HBBAC

\*HBBDR

\*HBLVLR

\*Add 8" to length of installation

## ACCESSORIES & CONTROLS (optional)

CATALOG NUMBER	UPC 6 85360	DESCRIPTION	SHIP WT. (LBS.)
HBBT1	03557 4	25 amp @ 120-277 VAC Single Pole Thermostat Snap Action Type Field Installed in Junction Box	1
HBBT2	03559 8	25 amp @ 120-277 VAC Double Pole Thermostat Snap Action Type Field Installed in Junction Bo.	1
HBBT1TP	03558 1	Same as Model HBBT1 except Tamper resistant	1
HBBT2TP	03560 4	Same as Model HBBT2 except Tamper resistant	1
*HBBAC	03538 3	Air Conditioner Outlet Section, 20 amps @ 208/240 VAC	2
HBBDR	03542 0	Duplex Receptacle Section, 15 amps @ 120 VAC	2
HBBSDR120	14797 0	2 Pole Disconnect switch /120v receptacle	3
HBBWS	03561 1	8" Blank Wiring Section	1
*HBLVLR0	03547 5	Low Voltage Relay Control Section, 25 amps @ 120 VAC	3
*HBLVLR8	03550 5	Low Voltage Relay Control Section, 25 amps @ 208 VAC	3
*HBLVLR4	03548 2	Low Voltage Relay Control Section, 25 amps @ 240 VAC	3
HBBCDS2	03539 0	2 Pole Power On / Off Switch Section	2
*CBDBS2	01453 1	2' Blank Section	6
*CBDBS3	01454 8	3' Blank Section	8
*CBDBS4	01455 5	4' Blank Section	11
*CBDBS5	01456 2	5' Blank Section	14
*CBDBS6	01457 9	6' Blank Section	16
*CBDBS8	01458 6	8' Blank Section	22
*CBDCIC	01460 9	Inside Corner	1
*CBDCOC	01461 6	Outside Corner	1

\* HBBAC - HBBDR - HBLVLR - HBBWS accessories add 8" to baseboard length.

# PROGRAMMABLE WALL HEATER

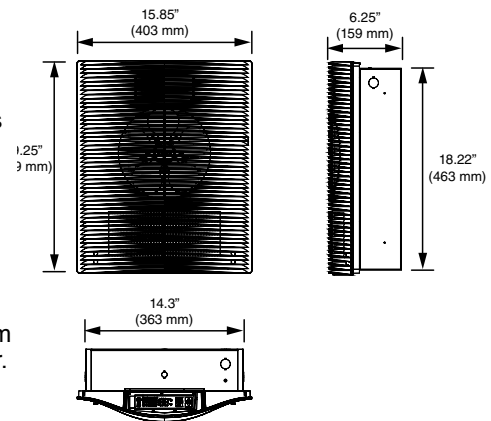
## ARCHITECTURAL SMARTSERIES®

### APPLICATIONS:

Unique styling and a programmable touch screen built-in thermostat make the SmartSeries® heaters ideal for corporate offices, boardrooms, galleries, libraries, museums, restaurants and hotels. Also, adaptable to multiple installations in larger or odd shaped rooms.

### FEATURES:

- Save Energy with Zone Heating:
  - Heat where you are, not where you aren't. (Instant heat where you want it... When you want it.) Save energy by heating only the areas you occupy.
  - Maintains heat within 1.5 degree of set temperature (as compared to five degrees with conventional bi-metal thermostats).
- Ready, Set, Go Programming SmartSeries® Digital Thermostat:
  - 5 day / 2 day programmability. (5 weekdays and 2 day weekend, 4 program periods per day)
  - Provides only the amount of heat needed at any given moment by continually calculating heat output and fan speed of the proportional difference between room temperature and the set point.
  - Hold function maintains constant set temperature. Used for freeze protection or vacation setting for when you are not there.
  - Connects to Building Management Systems for optimum control.
- Control your Comfort with Easy-to-use customizable control with LCD screen:
  - Simple touch screen navigation and programming.
  - Catch a chill? The remote control allows you to make adjustments anywhere in the room.
  - Lockout Feature – Securely maintain comfort levels.
- Save Time and Money on Installation:
  - 2 piece construction – Includes back box, Element/Fan Deck/Grille.
  - Quick set up – 'right out of the box'.
  - Fits recessed between standard studs walls.
  - No ducting or plumbing needed means no heat loss before the heat enters the room.
- Dramatic Styling, Innovative Technology:
  - In a class above the competition – No other heater in the market comes close to the unique styling of the SmartSeries®.
  - The best in contemporary design matched with the latest Smart technologies - Touch-activated controls offer an ideal combination of sleek styling and ease of operation.
  - Elegant and refined but built to last – The durable powder coated aluminum grille has a distinct flavor that translates boldly and beautifully to any décor.
  - No exposed seams or screws – Seamlessly finished lines and contours creates an immediate impression of quality and refinement.
  - On / Off switch.

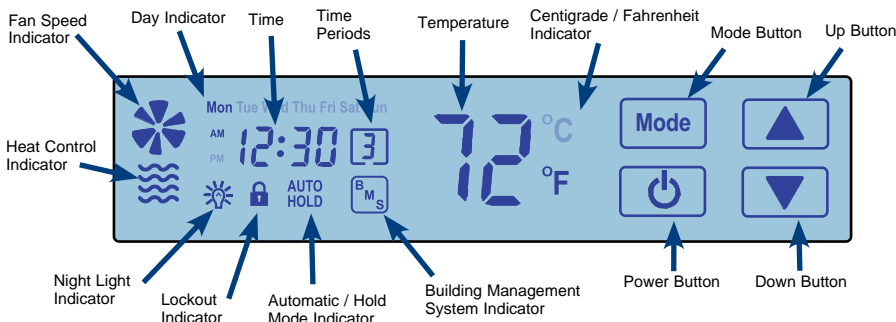


CATALOG NUMBER	UPC	VOLTS	WATTS	AMPS	BTU/HR.
SSAR1802	6 85360 15684 2	120	540 - 1800	15	6,142
SSAR4808	6 85360 15676 7	208	1800 - 4800	23.1	16,378
SSAR4804	6 85360 15677 4	240	1800 - 4800	20.0	16,378
SSARW807	6 85360 15680 4	277	1800 - 4800	17.3	16,378

Note: Standard grille color is Northern White. Add W (Navajo White), AL (Aluminum), or BZ (Bronze) suffix to catalog number. Example: SSAR1802AL



### THERMOSTAT DISPLAY



### HEATER REMOTE

An easy to use remote control is included to provide convenient heat and power adjustment from up to 12 feet away. Heater must be in direct line of sight to operate correctly. Unit can be controlled with or without remote control.



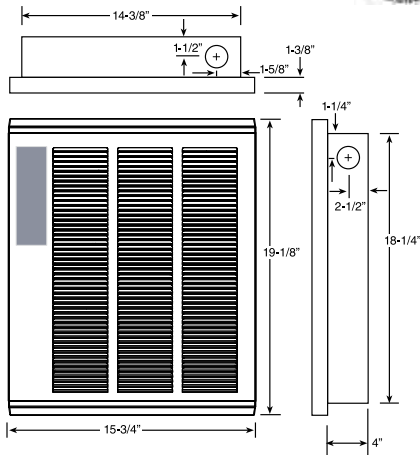
### MOUNTING LIMITATIONS

Do not install heater closer than 12" to the floor, 12" to an adjacent wall, 36" to the ceiling.

Do not install heater behind towel rack or door, upside down or sideways, in the floor, in the ceiling, or in closets.

# HIGH OUTPUT WALL HEATER

## COMMERCIAL SMARTSERIES®



### APPLICATIONS:

Fast heat response and programmable touch screen built-in thermostat make the SmartSeries® heaters ideal for restaurants, hotels, conference rooms, atrium and much more. Also, adaptable to multiple installations in larger or odd shaped rooms.

### FEATURES:

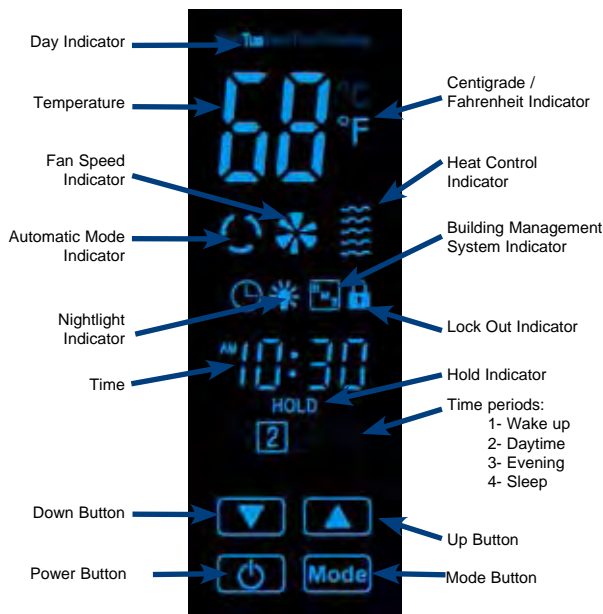
- Heat where you are, not where you aren't. Instant response when you want it. Save energy by heating only the areas you occupy.
- Precise heat within 1.5 degrees of set temperature (as compared to five degrees with conventional bi-metal thermostats).
- 5 day / 2 day programmability (5 weekdays and 2 day weekend, 4 program periods per day).
- SmartSeries® provides only the amount of heat needed at any given moment by continually calculating heat output and fan speed of the proportional difference between room temperature and the set temperature.
- Hold function maintains constant set temperature which can be used for freeze protection or vacation setting for when you are not there.
- BMS compatible – Connects to Building Management Systems for optimum control.
- Lockout Feature – Securely maintain comfort levels.
- Remote control to make adjustments anywhere in the room – Catch a chill? Raise the temperature from the comfort of your bed or easy chair.
- Quick set up – 'right out of the box' - 3 piece construction – Includes back box, Element/Fan Deck and Grille.
- Fits recessed between standard studs walls or use with optional surface mounting frame (ideal for block or plaster walls).
- On / Off switch.
- No ducting or plumbing needed means no heat loss before the heat enters the room.

CATALOG NUMBER	UPC	VOLTS	WATTS	AMPS	BTU/HR.
SSHO4008	6 85360 15670 5	208	1800 - 4000	8.7 - 19.2	13,650
SSHO4004	6 85360 15672 9	240	1800 - 4000	7.5 - 16.7	13,650
SSHO4007	6 85360 15673 6	277	1800 - 4000	6.5 - 14.4	13,650
SURFACE MOUNTING FRAMES					
HTWHSM	6 85360 15545 6	Surface Mounting Frame 15-3/8" W x 19-3/16" H x 3-3/4" D			
HTWHS1	6 85360 15548 7	1" Semi-Recess Mounting Frame 15-3/8" W x 19-3/16" H x 1" D			
HTWHS2	6 85360 15551 7	2" Semi-Recess Mounting Frame 15-3/8" W x 19-3/16" H x 2" D			

Note: Standard grille color is Northern White. Add NV (Navajo White) or SB (Stat Bronze) suffix to catalog number. Example: SSHO4008NV

Allow two weeks delivery for models with special color. See Color Selection Chart for custom colors.

### THERMOSTAT DISPLAY



### HEATER REMOTE

An easy to use remote control is included to provide convenient heat and power adjustment from up to 12 feet away. Heater must be in direct line of sight to operate correctly. Unit can be controlled with or without remote control.



### MOUNTING LIMITATIONS

Do not install heater closer than 12" to the floor, 12" to an adjacent wall, 36" to the ceiling.

Do not install heater behind towel rack or door, upside down or sideways, in the floor, in the ceiling, or in closets.



# PROGRAMMABLE WALL HEATER

## HT RESIDENTIAL SMARTSERIES®

### APPLICATIONS:

Super quiet, fast heat and programmable touch screen built-in thermostat make the Smart Series® heaters ideal for dens, bedrooms, basements, converted attics, large bathrooms, offices, workshops and similar areas. Also, adaptable to multiple installations in larger or odd shaped rooms.

### FEATURES:

- Heater automatically adjusts wattage output and blower speed resulting in whisper quiet operation for optimum comfort.
- Heating element is heavy duty non-glowing steel fins brazed to steel sheathed tubular elements in a grid pattern that covers the entire discharge area.
- Built-in fan delay operates when unit is turned off after heating to prolong element life.
- 5 day / 2 day electronic programmable built-in thermostat adaptable to fit any life style while providing energy savings and precise temperature performance.
- Easy to use LED touch screen operation.
- Convenient remote control included.
- Contemporary, clean design with night light feature complements any decor.
- Designed for easy installation. Heater is mounted prior to wiring. Both hands are free to make field connections in roomy compartment.
- This heater is designed for installation in 2' x 4' or larger wall sections using the wall box provided.
- The heater may be wired with standard building wire (60°C). Refer to specification chart for correct supply voltage and wire size.



Whisper Quiet



Fast Response Heating

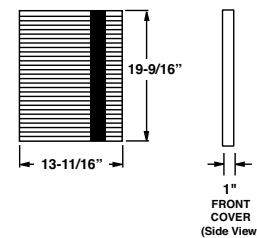
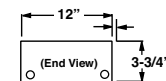
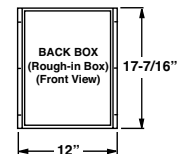


5 Year Element Warranty

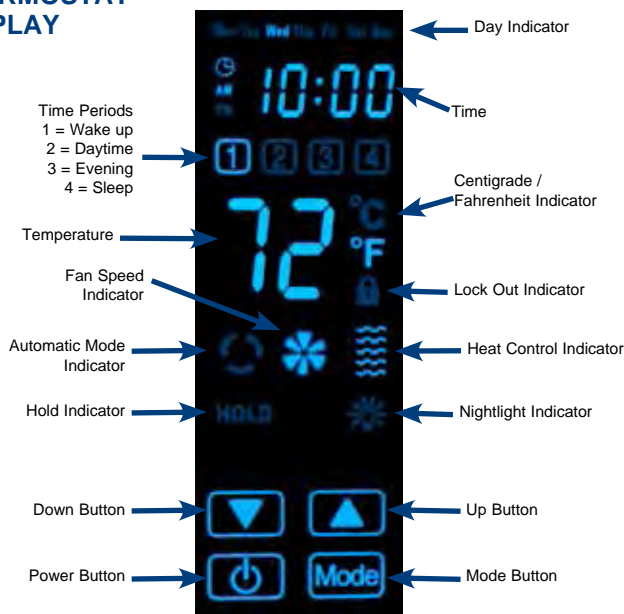


Proportional Wattage Adjustment Heats up to 250 ft²

CATALOG NUMBER	UPC	VOLTS	WATTS	AMPS	BTU/HR.	WIRE SIZE	COLOR
HT2024SS	6 85360 15351 3	240	1.0 - 8.3	250 - 2000	853 - 6826	14 AWG	Gray
HT1502SS	6 85360 15350 6	120	1.6 - 12.5	200 - 1500	682 - 5120	12 AWG	Gray
HT2024SSNW	6 85360 15854 9	240	1.0 - 8.3	250 - 2000	853 - 6826	14 AWG	Northern White
HT1502SSNW	6 85360 15852 5	120	1.6 - 12.5	200 - 1500	682 - 5120	12 AWG	Northern White
SURFACE MOUNTING FRAMES							
SMHTSSNW	6 85360 15631 6	Northern White Surface Mounting Frame, 14-5/8"W X 20-1/4"H X 3-3/4"					
SMHTSSBL	6 85360 15630 9	Black Surface Mounting Frame, 14-5/8"W X 20-1/4"H X 3-3/4"D					



### THERMOSTAT DISPLAY



### HEATER REMOTE

An easy to use remote control is included to provide convenient heat and power adjustment from up to 12 feet away. Heater must be in direct line of sight to operate correctly. Unit can be controlled with or without remote control.



### MOUNTING LIMITATIONS

Do not install heater closer than 12" to the floor, 12" to an adjacent wall, 36" to the ceiling. Do not install heater behind towel rack or door, upside down or sideways, in the floor, in the ceiling, or in closets.

# ARCHITECTURAL HEAVY-DUTY WALL HEATERS

## MECHANICAL ARTISAN™

### APPLICATIONS:

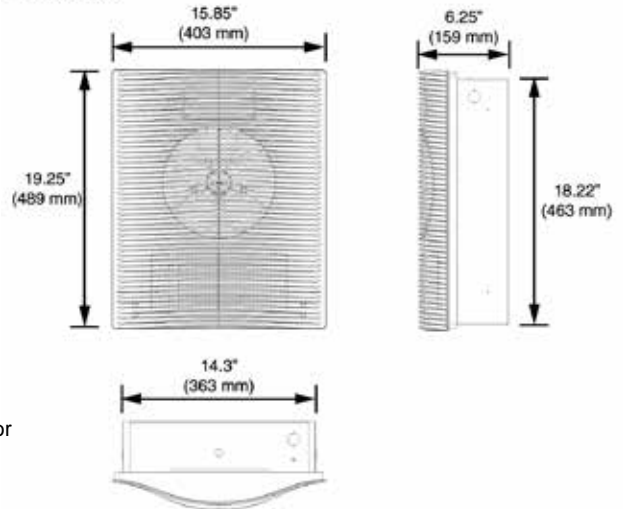
Qmark's high-capacity, heavy-duty fan forced wall heaters are designed for use almost anywhere in commercial or industrial areas requiring high capacity and quick recovery. They perform exceptionally well in such applications as restaurants, hotels, conference rooms, atrium, residential and much more.

### FEATURES:

- Save time and money on installation.
- The best in contemporary design.
- Two piece construction; Includes back box, Element/ Fan Deck/Grille.
- Built-in tamper resistant thermostat.
- Excellent for zone heating - heat where you are, not where you don't.
- Recess or surface mounting to wall.
- Ability to reduce wattage during installation.
- Steel finned metal sheath electric heating element provides long service life.
- Seamless finish lines and contours, an immediate impression of quality and refinement.
- Rugged heavy duty aluminum die cast grille, refined but built to last.
- Four colors to choose from: Bronze, Navajo White, Aluminum, and Northern White.



### DIMENSIONS



### MOUNTING LIMITATIONS

1. For wall mounting - Do not install back box closer than 8 inches from floor or adjacent wall.
2. Do not install heater behind towel rack, behind door, in floor, in closet, in ceiling or where air flow may be obstructed.

All controls are concealed behind the front cover making them essentially tamper proof. They will accommodate pneumatic/electric or low-voltage controls commonly used with computerized energy management systems..

CATALOG NUMBER	UPC	VOLTS	PH.	WATTS	BTU/HR.	AMPS	SHIP WT. (LBS.)
MCSSAR1802	6 85360 16105 1	120	1	1800 / 900	6,142	15.0	26
MCSSAR4808	6 85360 16111 2	208	1	4000/2000	13,640	19.2	26
MCSSAR4804	6 85360 16109 9	240	1	4800/2400	16,368	20.0	26
MCSSAR4807	6 85360 16107 5	277	1	4800/2400	16,368	117.3	26

Note: Standard grille color is Northern White  
 Add BZ (Bronze), W (Navajo White), or AL (Aluminum) suffix to catalog number. Example: MCSSAR4808BZ  
 Allow two weeks delivery for models with special color. See Color Selection Chart for custom colors

### ACCESSORIES (optional)

CATALOG NUMBER	UPC	DESCRIPTION
HTWHSM	6 85360 15545 6	Surface Mounting Frame 16-1/4" W x 19-3/8" H x 3-7/8" D
HTWHS1	6 85360 15548 7	1" Semi-Recess Mounting Frame 16-1/4" W x 19-3/8" H x 1" D
HTWHS2	6 85360 15551 7	2" Semi-Recess Mounting Frame 16-1/4" W x 19-3/8" H x 2" D
MCAR2	6 85360 16160 0	24V Time-delay relay rated 30A @ 120 - 277V
MCAR12	6 85360 16159 4	120V Time-delay relay rated 30A @ 120 - 277V

# ARCHITECTURAL HEAVY-DUTY WALL HEATERS

## AWH



### APPLICATIONS:

Qmark's high-capacity, heavy-duty fan forced wall heaters are designed for use almost anywhere in commercial or industrial areas requiring high capacity and quick recovery. They perform exceptionally well in such applications as commercial buildings, entryways, hotels, offices, restaurants and stores.

### FEATURES:

- Contemporary bar-stock grille designed to provide optimized airflow.
- Voltage selections: 120, 208, 240, 277 or 347.
- Wattage selections: 1500-4800.
- Thermostat range: 40° to 90°F.
- Compatibility with the energy management systems through an optional relay.
- Fan delay switch - energizes fan motor only after elements are heated, which prevents discharge of unheated air.
- Manual reset thermal overheat protector disconnects power in the event of overheating due to accidental blockage.
- All units have a permanently lubricated totally enclosed fan motor, which creates long life and low maintenance, and gently distributes warmth throughout the area.
- 1 year workmanship warranty, 5 year warranty on element.

Thermostat range	40° to 90°F
Air movement	100 CFM

CATALOG NUMBER	UPC	VOLTS	PH.	WATTS	BTU/HR.	AMPS	CFM	SHIP WT. (LBS.)
AWH3150F	6 85360 16186 0	120	1	1500	5120	12.5	100	25
AWH3180F	6 85360 16188 4	120	1	1800	6142	15	100	25
AWH4408F	6 85360 16210 2	208	1	4000/2000	13650 / 682	19.2 / 9.6	100	25
AWH4404F	6 85360 16198 3	240	1	4000/2000	13650 / 6825	16.7/8.3	100	25
		208		3000/1500	10235 / 5120	14.4 / 7.2		
AWH4407F	6 85360 16206 5	277	1	4000/2000	13650 / 6825	14.4 / 7.2	100	25
		240		3000/1500	10235 / 5120	12.5/6.3		
AWH4307F	6 85360 16194 5	277	1	3000/1500	10235 / 5120	10.8 / 5.4	100	25
AWH4303F	6 85360 16402 1	347	1	3000	10235	8.6	100	25
AWH4306F	6 85360 16406 9	600	1	3000	10235	5	100	25
AWH4506F	6 85360 16414 4	600	1	4800	16380	8	100	25
AWH4508F	6 85360 16230 0	208	1	4800	16380	23.1	100	25
AWH4504F	6 85360 16218 8	240	1	4800	16380	20	100	25
		208		3600	12285	17.3		
AWH4507F	6 85360 16226 3	277	1	4800	16380	17.3	100	25
		240		3600	12285	15		
AWH4503F	6 85360 16410 6	347	1	4800	16380	13.8	100	25
AWH44083F	6 85360 16214 0	208	3	4000	13650	11.1	100	25
AWH45083F	6 85360 16222 5	208	3	4800	16380	13.3	100	25
AWH44043F	6 85360 16202 7	240	3	4000	13650	9.6	100	25
AWH45043F	6 85360 16234 8	240	3	4800	16380	11.6	100	25

\*Factory wired for higher wattage, field convertible to half wattage.

Standard finish: Statuary bronze. For Northern White finish, please add NW suffix to catalog number when placing an order.

### ACCESSORIES (optional)

CATALOG NUMBER	DESCRIPTION
AWHPE	Pneumatic/Electric switch. Factory set at 10 psig to "make" on pressure drop. May be field wired to "break" on pressure drop. Pressure set point adjustable to 30 psig. (Field installed)
AWHR2 (24 volt) AWHR12 (120 volt)	Time delay relay 40-60 seconds to close when energized. Use 120V or 24V power supply from remote source (field installed)
AWHS1	1" deep surface mounting frame for semi-recessed installation, Stat Bronze
AWHS2	2" deep surface mounting frame for semi-recessed installation, Stat Bronze
AWHSM	Surface mounting frame for surface installations. Painted to match heater decor, 3 13/16" deep, Stat Bronze
LFKSFNCW	14 gauge security front cover, Northern White

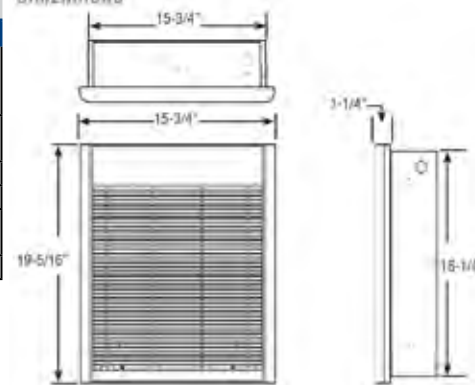
Note: For Northern White finish, please add NW suffix to catalog number when placing an order.

### MOUNTING LIMITATIONS

1. For wall mounting - Do not install back box closer than 8 inches from floor or adjacent wall.
2. Do not install heater behind towel rack, behind door, in floor, in closet, in ceiling or where air flow may be obstructed.

All controls are concealed behind the front cover making them essentially tamper proof. They will accommodate pneumatic/electric or low-voltage controls commonly used with computerized energy management systems.

### DIMENSIONS



ROUGH-IN BOX:  
18-1/4" H X 14-3/8" W X 3-3/4" D

GRILLE:  
19-3/16" H X 15-25/32" W X 1-3/8" D

# COMMERCIAL FAN-FORCED WALL HEATERS

## CWH ARCHITECTURAL SMALL WALL HEATER



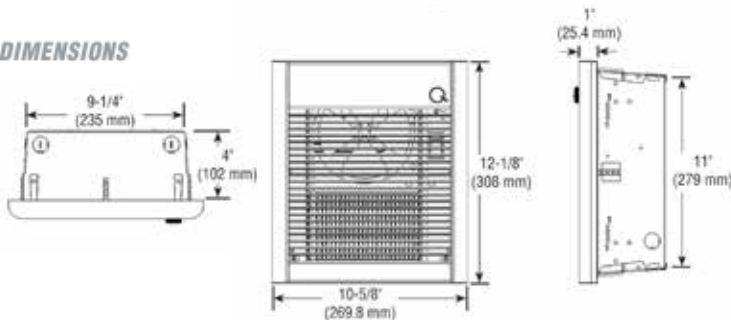
### APPLICATIONS:

Fast heat response, compact design and versatility make the CWH Architectural Series heaters ideal for small offices, dens, basements, converted attics, breezeways, garages and workshops. Also, adaptable to multiple installations in somewhat larger or odd shaped rooms.

### FEATURES:

- Contemporary bar-stock grille designed to provide optimized airflow.
- Standard finish: Statuary Bronze.
- Voltage selections: 120, 208, 240 and 277.
- Wattage selections: 500-2000.
- Thermostat range: 40° to 85°F.
- Fan delay switch - energizes fan motor only after elements are heated, which prevents discharge of unheated air.
- Manual reset thermal overheat protector disconnects power in the event of overheating due to accidental blockage.
- Built-in power on / off switch for added safety during maintenance.
- All units have a permanently lubricated totally enclosed fan motor, which creates long life and low maintenance, and gently distributes warmth throughout the area.
- 1 year workmanship warranty, 5 year warranty on element.

### DIMENSIONS



### MOUNTING LIMITATIONS

1. Do not install heater closer than 4" from floor.
2. Do not install heater behind towel rack, behind door, in floor, in ceiling, in closet, or where air flow may be obstructed.
3. Requires 3 wires if remote thermostat is desired.



CATALOG NUMBER	UPC	VOLTS	AMPS	WATTS	BTU/HR	WIRE SIZE
CWH1101DSAF	6 85360 14839 7	120	8.4	1000	3413	14AWG
			4.2	500	1706	
CWH1151DSAF	6 85360 14841 0	120	12.5	1500	5120	12AWG
			6.25	750	2560	
CWH1201DSAF	6 85360 14842 7	120	15	1800	6143	12 AWG
			8.4	2000	6826	
CWH1202DSAF	6 85360 14844 1	240	4.2	1000	3413	14AWG
			7.3	1500	5120	
		208	3.61	750	2560	
			7.3	2000	6826	
CWH1207DSAF	6 85360 14845 8	277	3.61	1000	3413	14AWG
			6.25	1500	5120	
		240	3.2	750	2560	
			5.5	1500	5120	
CWH1157DSAF	6 85360 14846 5	277	2.75	750	2560	14AWG
			4.7	1125	3840	
		240	2.35	562	1920	
			9.6	2000	6826	
CWH1208DSAF	6 85360 14843 4	208	4.8	1000	3413	14AWG

### ACCESSORIES

CATALOG NUMBER	UPC	DESCRIPTION
CWHSMAG	6 85360 14855 7	Surface Mounting Frame (Accessory). Order separately. 12-1/2" H x 10-3/8" W x 4" D
CWHS1AG	6 85360 14856 4	1" Semi-Recess Mounting Frame, 12-1/2" H x 10-3/8" W x 1" D, Stat. Bronze
CWHS2AG	6 85360 14857 1	2" Semi-Recess Mounting Frame, 12-1/2" H x 10-3/8" W x 2" D, Stat. Bronze

# COMMERCIAL FAN-FORCED WALL HEATERS

## CWH1000

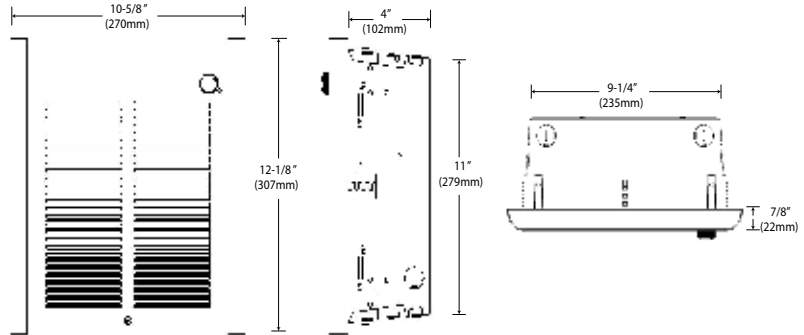


NORTHERN WHITE FINISH

Thermostat Range 40° to 85°F

### APPLICATIONS:

Fast heat response, compact design and versatility make the SRA Series heaters ideal for basements, attics, entryways, large rooms, offices and remodels. Also adaptable to multiple installations in somewhat larger or odd shaped rooms.



### FEATURES:

- Contemporary commercial grade steel grille, designed to provide comfort through optimized airflow.
- Voltage selections: 120, 208, 240 and 277 volts.
- Wattage selections: 500-2,000 Watts.
- Built-in On / Off switch for added safety during maintenance.
- Manual reset thermal overload protector disconnects power.
- in the event of overheating due to accidental blockage.
- Built-in fan delay switch energizes fan motor only after elements are heated, which prevents discharge of unheated air.
- Integral double-pole thermostat allows for easy adjustment of room temperature to maintain desired comfort level.
- All units have a permanently lubricated fan motor, which creates long life and low maintenance, and gently distributes warmth throughout the area.
- 1 year workmanship warranty, 5 year warranty on element.

CATALOG NUMBER	UPC	VOLTS	PHASE	WATTS	AMPS	CFM	BTU/HR	WIRE SIZE	SHIP WT. (LBS.)
CWH1101DSF	6 85360 13950 0	120	1	1000/500*	8.4/4.2	65	3413/1706	14 AWG	20
CWH1151DSF	6 85360 13951 7	120	1	1500/750*	12.5/6.25	65	5120/2560	12 AWG	20
CWH1201DSF	6 85360 13953 1	120	1	1800	15	65	6143	12 AWG	20
CWH1202DSF	6 85360 13954 8	240	1	2000/1000*	8.3/4.2	65	6826/3413	14 AWG	20
		208		1500/750*	7.2/3.61		5120/2560		
CWH1157DSF	6 85360 13952 4	277	1	1500/750*	5.5/2.75	65	5120/2560	14 AWG	20
		240		1125/562*	4.7/2.35		3840/1920		
CWH1207DSF	6 85360 13955 5	277	1	2000/1000*	7.2/3.61	65	6826/3413	14 AWG	20
		240		1500/750*	6.25/3.2		5120/2560		
CWH1208DSF	6 85360 13956 2	208	1	2000/1000*	9.6/4.8	65	6826/3413	14 AWG	20

### ACCESSORIES (optional)

CATALOG NUMBER	UPC	DESCRIPTION	SHIP WT. (LBS.)
CWHSM	6 85360 13947 0	Surface Mounting Frame. Order Separately. 12-1/2" H x 10-3/8" W x 4" D. Northern White	2
CWHS1	6 85360 13948 7	1" (25mm) Recess Mounting Frame (Accessory) Order Separately, Northern White	2
CWHS2	6 85360 13949 4	2" (50mm) Recess Mounting Frame (Accessory) Order Separately, Northern White	2
SRAFCTPF	6 85360 13950 0	Tamper-resistant front cover, Northern White	

# COMMERCIAL FAN-FORCED WALL HEATERS

## CWH3000

### APPLICATIONS:

Qmark's high-capacity, heavy-duty fan forced wall heaters are designed for use almost anywhere in residential commercial or industrial areas requiring electric fan forced heaters in 1500 to 4800 watt capacities. They perform exceptionally well in such applications as hotel foyers, restaurant vestibules, department store hallways, fast food entryways, commercial showrooms, mechanical rooms, medical offices, basements and offices.

### FEATURES:

- Contemporary commercial grade steel grille, designed to provide comfort through optimized airflow.
- Standard finish: Northern White.
- Voltage selections: 120, 208, 240 and 277 volts.
- Wattage selections: 1,500-4,800 Watts.
- Thermostat range: 40° to 90°F.
- Fan only operation for summer use.
- Built-in power on / off switch for added safety during maintenance.
- Manual reset thermal overheat protector disconnects power in the event of overheating due to accidental blockage.
- Fan delay switch - energizes fan motor only after elements are heated, which prevents discharge of unheated air.
- Integral double-pole thermostat allows for easy adjustment of room temperature to maintain desired comfort level.
- All units have a permanently lubricated totally enclosed fan motor, which creates long life and low maintenance, and gently distributes warmth throughout the area.
- 1 year workmanship warranty, 5 year warranty on element.

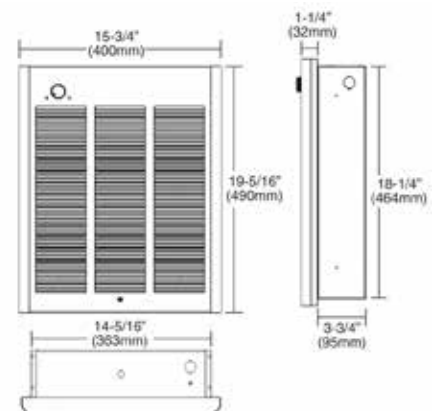


CATALOG NUMBER	UPC	VOLTS	PHASE	WATTS	CFM	AMPS	SHIP WT. (LBS.)
CWH3150F	6 85360 16238 6	120	1	1500	100	12.5	25
CWH3180F	6 85360 16240 9	120	1	1800	100	15	25
CWH3404F	6 85360 16246 1	240/208	1	4000/3000	100	16.7/14.5	25
			1	2000/1500		8.3/7.2	
CWH3407F	6 85360 16248 5	277/240	1	4000/3000	100	14.5/12.5	25
			1	2000/1500		7.2/6.3	
CWH3307F	6 85360 16242 3	277	1	3000/1500	100	10.8/5.4	25
CWH3408F	6 85360 16250 8	208	1	4000/2000	100	19.2/9.6	25
CWH34083F	6 85360 16250 8	208	3	4000	100	11.1	25
CWH34043F	6 85360 16244 7	240	3	4000	100	9.7	25
CWH3504F	6 85360 16256 0	208/240	1	3600/4800	100	17.3/20.0	25
CWH3507F	6 85360 16258 4	240/277	1	3600/4800	100	15.0/17.3	25
CWH3508F	6 85360 16262 1	208	1	4800	100	23.1	25
CWH35083F	6 85360 16260 7	208	3	4800	100	13.4	25
CWH35043F	6 85360 16254 6	240	3	4800	100	11.6	25
CWH3503F	6 85360 16418 2	347	1	2000	100	5.8	25
CWH3506F	6 85360 01909 3	600	1	2000	100	3.3	25
CWH3153F	6 85360 16422 9	347	1	1500	100	4.3	25
CWH3156F	6 85360 16424 3	600	1	1500	100	2.5	25
CWH3303F	6 85360 01921 5	347	1	3000	100	8.6	25
CWH3306F	6 85360 01924 6	600	1	3000	100	5	25
CWH3403F	6 85360 01932 1	347	1	4000	100	11.5	25
CWH3406F	6 85360 01943 7	600	1	4000	100	6.7	25
CWH3503F	6 85360 01959 8	347	1	4800	100	13.8	25
CWH3506F	6 85360 01970 3	600	1	4800	100	8	25

ACCESSORIES (optional)			
CATALOG NUMBER	UPC	DESCRIPTION	SHIP WT. (LBS.)
FRAFCTPF	6 85360 02710 4	Tamper Proof Front Cover, Northern White (Cover 1 must be removed to adjust thermostat)	1
CWH3SM	6 85360 02822 4	Surface mounting frame, Northern White	2
CWH3S1	6 85360 03036 4	1" Semi-recessed frame, Northern White	2
CWH3S2	6 85360 03035 7	2" Semi-recessed frame, Northern White	2
LFKSFNCNW	6 85360 16079 5	14 gauge security front cover, Northern White	2

### MOUNTING LIMITATIONS:

1. For wall mounting - Do not install back box closer than 8 inches from floor or adjacent wall.
2. Do not install heater behind towel rack, behind door, in floor, in closet, in ceiling or where air flow may be obstructed.



# FAN-FORCED WALL HEATERS CLIP-N-FIT® feature

## GFR

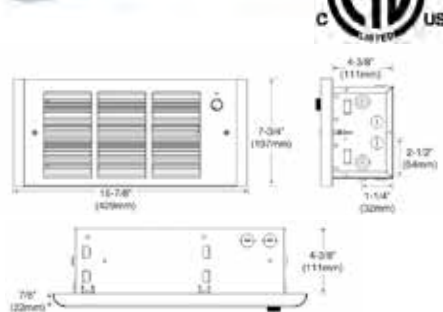


### APPLICATIONS:

Fast heat response, contemporary design and very quiet operation make GFR Series fan forced heaters ideal for bedrooms, dens, basements, converted attics, breeze ways, garages, bathrooms, small offices, workshops, and other similar areas. Also adaptable to multiple installations in somewhat larger or odd shaped room.

### CLIP-N-FIT® FEATURE:

Patented CLIP-N-FIT® feature (US Patented No. 6172343) allows the installer to change the wattage of the heater to a lower output without moving jumper wire. Each heater is factory wired for its maximum wattage. To change wattage, clip out either jumper 1 or 2 as shown in the installation manual for desired wattage. This Patented CLIP-N-FIT® feature also prevents the operator to change wattage after installation to a higher wattage.



GRILLE: 16-7/8" W X 7-3/4" H X 3/4" D  
BACK BOX: 14-3/8" W 6-5/8" H 4-3/8" D

### MOUNTING LIMITATIONS:

For wall mounting only. Do not install back box closer than 4 inches from floor, 6 inches from adjacent walls and 36 inches from the ceiling. Do not install heater behind towel rack, behind door, in floor, in closet, in ceiling or where airflow may be obstructed. To insure proper operation, maintain 5-foot minimum clearance to furniture or other objects placed directly in front of the heater.

CATALOG NUMBER	UPC 6 85360	VOLTS	CFM	WATTS	AMPS	BUILT IN THERM	SHIP WT. (LBS.)
GFR1500F	03368 6	120	45	1500/1125/750/375	12.5/9.4/6.3/3.1	No	10
GFR2004F	03372 3	240*	45	2000/1500/1000/500	8.3/6.3/4.2/2.1	No	10
GFR2404F	03375 4	240*	45	2400/1800/1200/600	10.0/7.5/5.0/2.5	No	10
GFR1500T2F	03369 3	120	45	1500/1125/750/375	12.5/9.4/6.3/3.1	Double Pole	11
GFR2004T2F	03374 7	240*	45	2000/1500/1000/500	8.3/6.3/4.2/2.1	Double Pole	11
GFR2404T2F	03377 8	240*	45	2400/1800/1200/600	10.0/7.5/5.0/2.5	Double Pole	11

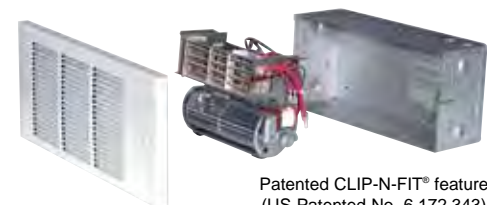
All GFR Single Phase.

### ACCESSORIES (optional)

CATALOG NUMBER	UPC	DESCRIPTION	SHIP WT. (LBS.)
GFRBB	6 85360 03363 1	Single backbox for QFG series heater	2
GFRBB6	6 85360 03364 8	Multi-pack backbox (6pcs)	10
QFGTSP	6 85360 03362 4	Single pole Thermostat (field installed)	1
QFGTDP	6 85360 05925 9	Double pole thermostat (field installed)	1
GFRSM	6 85360 05926 6	Surface Mounting Frame	2

NOTE: "IF" models include heater assembly and grille only. Order back box separately: See accessories.  
NOTE: For installations over 7500 feet above sea level we recommend using models under 1500 watts.  
NOTE: T2 Model are complete heater assemblies with grille, back box, and thermostat.

# FAN-FORCED WALL HEATERS CLIP-N-FIT® Feature - QFG



Patented CLIP-N-FIT® feature (US Patented No. 6,172,343)

GRILLE: 16-7/8" W x 7-3/4" H x 3/4" D  
BACK BOX: 14-3/8" W x 6-5/8" H x 4-3/8" D



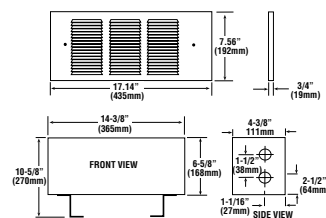
### APPLICATIONS:

**RESIDENTIAL:** QFG Series electric in-wall heaters are suitable for use in almost any room. Use single heaters in smaller rooms such as bedrooms and bathrooms. Use multiple heaters (controlled by a single thermostat) in larger rooms such as living rooms and family rooms. Wattage should be determined through heat loss calculations.

**COMMERCIAL:** Suitable as the primary heat source in smaller rooms and as supplemental heat in almost any general use area.

### FEATURES:

- Dual Protection: Thermal cutout with indicator light and one time thermal fuse.
- Tangential blower for whisper quiet operation.
- Northern White durable polyester powder coat finish.
- Open coil element assures quick heat and low maintenance.
- Three piece construction for ease of installation.
- Permanently lubricated, dust-protected bearings.
- 5-year warranty on element.



### MOUNTING LIMITATIONS:

For wall mounting only. Do not install back box closer than 4 inches from floor, 6 inches from adjacent walls and 36 inches from the ceiling. Do not install heater behind towel rack, behind door, in floor, in closet, in ceiling or where airflow may be obstructed. To insure proper operation, maintain 5-foot minimum clearance to furniture or other objects placed directly in front of the heater.

CATALOG NUMBER	UPC 6-85360	VOLTS	CFM	PHASE	UNIT WATTAGE	SHIP AMPS	BUILT-IN WT. (LBS.)	T-STAT
QFG1512IFM	08809 9	120	45	1	375/750/1125/1500	3.1/6.3/9.4/12.5	8	No
QFG2024IFM	08810 5	240	45	1	500/1000/1500/2000	2.1/4.2/6.3/8.3	8	No
QFG2224IFM	08811 2	240	45	1	563/1125/1688/2250	2.3/4.7/7.0/9.4	8	No
QFG2228IF	05947 1	208	45	1	2200	10.6	8	No
QFG1512T2M	05937 2	120	45	1	1500/1125/750/375	12.5/9.4/6.3/3.1	8	Yes
QFG2024T2M	05941 9	240	45	1	2000/1500/1000/500	8.3/6.3/4.2/2.1	8	Yes
QFG2224T2M	05946 4	240	45	1	2250/1688/1125/563	9.4/7.0/4.7/2.3	8	Yes

### ACCESSORIES (optional)

CATALOG NUMBER	UPC	DESCRIPTION	SHIP WT. (LBS.)
GFRBB	6 85360 03362 4	Single backbox for QFG series heater	2
GFRBB6	6 85360 03363 1	Multi-pack backbox (6 pcs)	10
QFGTSP	6 85360 03367 9	Single pole Thermostat (field installed)	1
QFGTDP	6 85360 03366 2	Double pole thermostat (field installed)	1
GFRSM	6 85360 03364 8	Surface Mounting Fram.	2

NOTE: "IF" models include heater assembly and grille only. Order back box separately: See accessories.  
NOTE: For installations over 7500 feet above sea level we recommend using models under 1500 watts.  
NOTE: T2 Model are complete heater assemblies with grille, back box, and thermostat.

# COMMERCIAL FAN-FORCED WALL HEATERS

## LFK

### APPLICATIONS:

Qmark's high-capacity, heavy duty fan forced wall heaters are designed for use almost anywhere in residential, commercial or industrial areas requiring electric fan forced heaters in 1,500 to 4,800 watt capacities. They perform exceptionally well in such applications as hotel foyers, restaurant vestibules, department store hallways, fast food entryways, commercial showrooms, mechanical rooms, medical offices, basements and offices.

### FEATURES:

- Contemporary commercial grade steel grille designed to provide a sleek appearance and rugged use.
- Standard finish: Northern White.
- Voltage selections: 120, 208, 240 and 277 volts.
- Wattage selections: 1,500-4,800 Watts.
- Manual reset thermal overheat protector disconnects power in the event of overheating due to accidental blockage.
- Built-in fan delay switch energizes fan motor only after elements are heated, which prevents discharge of unheated air.
- Integral double-pole thermostat allows for easy adjustment of room temperature to maintain desired comfort level and a positive OFF to assure heater will not operate if not needed.
- All units have a permanently lubricated, totally enclosed fan motor, which creates long life and low maintenance, and gently distributes warmth throughout the area.
- 1 year workmanship warranty, 5 year warranty on element.



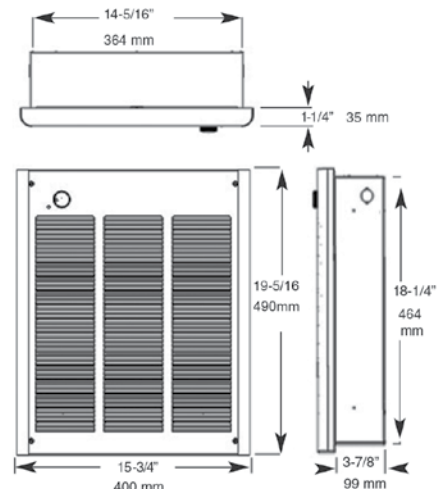
CATALOG NUMBER	UPC	VOLTS.	WATTS.	CFM	PH.	AMPS	SHIP WT. (LBS.)
LFK151F	6 85360 16268 3	120	1500	100	1	12.5	22
LFK204F	6 85360 16270 6	240/208	2000/1500	100	1	8.3/7.2	22
LFK303F	6 85360 16272 0	347	3000	100	1	8.6	n/a
LFK304F	6 85360 16274 4	240	3000	100	1	12.5	22
LFK306F	6 85360 16276 8	600	3000	100	3	5	n/a
LFK403F	6 85360 16181 5	347	4000	100	1	11.5	n/a
LFK404F	6 85360 16179 2	240/208	4000/3000	100	1	16.7/14.4	22
LFK406F	6 85360 16278 2	600	4000	100	3	6.7	n/a
LFK408F	6 85360 16282 9	208	4000	100	1	19.2	n/a
LFK483F	6 85360 16280 5	347	4800	100	1	13.8	n/a
LFK484F	6 85360 16286 7	240/208	4800/3600	100	1	20/17.3	22
LFK486F	6 85360 16288 1	600	4800	100	3	8	n/a
LFK4083F	6 85360 16280 5	208	4000	100	3	11.1	23
LFK487F	6 85360 16290 4	277/240	4800/3600	100	1	17.3/15	23
LFK488F	6 85360 16294 2	208	4800	100	1	23.1	23
LFK4883F	6 85360 16292 8	208	4800	100	3	13.3	23

### ACCESSORIES (optional)

CATALOG NUMBER	UPC	DESCRIPTION	SHIP WT. (LBS.)
LFKSFCNW	6 85360 16079 5	14 gauge security front cover, Northern White	6
LFKSM	6 85360 07467 2	Surface mounting frame for surface installations. 3-13/16" deep, Northern White	1
LFKS1	6 85360 07468 9	1" deep surface mounting frame for semi-recessed installation, Northern White	1
LFKS2	6 85360 07469 6	2" deep surface mounting frame for semi-recessed installation, Northern White	1

### MOUNTING LIMITATIONS:

1. For wall mounting - Do not install back box closer than 8 inches from floor or adjacent wall.
2. Do not install heater behind towel rack, behind door, in floor, in closet, in ceiling or where air flow may be obstructed.





# EURO STYLE WALL HEATERS, NON-FAN FORCED

## ECP

### APPLICATIONS:

Suitable for use in almost any room. Use single heaters in smaller rooms such as bedrooms and bathrooms. Use multiple heaters in larger rooms such as living rooms and family rooms. Wattage levels should be determined by heat loss calculations. Great source of supplementary heating of offices, reception rooms, game rooms and similar light duty commercial and residential applications.

### FEATURES:

- Convection and radiant warmth from one heater.
- Heater can be surface mounted or recessed into 2X4 or larger wall sections. It is designed to fit between 16" O.C. studs.
- Steel finned metal sheath electric heating elements provide uniform heat and long service life.
- Closely spaced bar grille design discourages insertion of foreign objects and directs air outward to effectively distribute heat to the middle of the room.
- Heavy-duty metal grille offers attractive appearance in a neutral color that is compatible with any decor.
- Contemporary styling uses soft curves on all edges, avoiding the sharp corners of a square design.
- Large wiring compartment is accessible from the front of the heater enabling rapid, easy hookup.
- CSA approved.



ROUGH-IN: 23-1/8" H X 14-1/4" W  
GRILLE: 26-1/4" H X 16-1/4" W X 1-5/8" D

CATALOG NUMBER	UPC	VOLTS	WATTS	AMPS	PHASE	SHIP WT. (LBS.)
ECP1024	6 85360 12732 3	240/208	1000/750	4.2/3.6	1	27
ECP1524	6 85360 12733 0	240/208	1500/1125	6.3/5.4	1	27

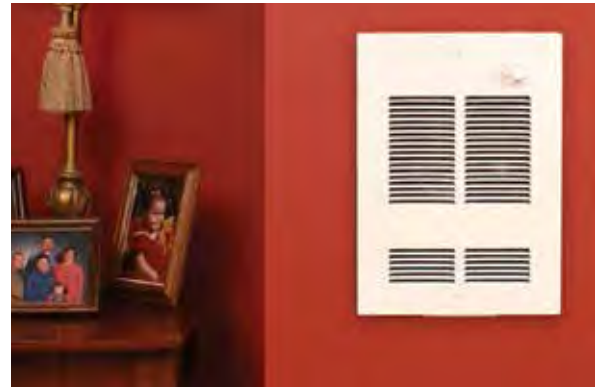
## FAN-FORCED WALL HEATERS -SED

### APPLICATIONS:

Ideally suited for recessed shallow wall mount application, such as manufactured homes.

### FEATURES:

- Back-box depth 2-1/2".
- Field wiring compartment for ease of installation.
- Built-in double pole thermostat on all units.
- Ceiling mount units available (1000 Watt units).
- Stainless Steel and Northern White grille finishes available.
- Surface mount accessories available.



ROUGH-IN: 12-1/2"H x 9-1/4"W.  
GRILLE: 14-1/2"H x 10-1/2"W x 1-1/4"D

CATALOG NUMBER	UPC	VOLTS	WATTS	AMPS	CFM	GRILLE FINISH	CEIL. MT.	SHIP WT. (LBS.)
SED1012C	6 85360 08190 8	120	1000	8.3	50	Stainless Steel	Yes	12
SED1024C	6 85360 08191 5	240/208	1000/750	4.2/3.6	50	Stainless Steel	Yes	12
SED1512	6 85360 08192 2	120	1500	12.5	50	N. White	No	12
SED2024	6 85360 08193 9	240/208	2000/1500	8.3/7.2	50	N. White	No	12
SED1012W	6 85360 14888 5	120	1000	8.3	50	N. White	Yes	12
SED1024W	6 85360 15698 9	240/208	1000/750	4.2/3.6	50	N. White	Yes	12



### ACCESSORIES

CATALOG NUMBER	UPC	DESCRIPTION	SHIP WT. (LBS.)
SEDSM	6 85360 01043 1	N. White Surface Mounting Frame	3
SEDSMC	6 85360 12617 3	Stainless Steel Surface Mounting Frame	3
SEDFCW	6 85360 12616 6	Front Cover - Northern White	2
SEDFCC	6 85360 12615 9	Front Cover - Stainless Steel	2

# RESIDENTIAL FAN-FORCED ZONAL HEATERS

## COS-E™



### APPLICATIONS:

Suitable for use in almost any room. Use single heaters in smaller rooms such as basements, bathrooms, bedrooms, hallways and remodels. Use multiple heaters (controlled by a single thermostat) in larger rooms such as living rooms and family rooms. Wattage levels should be determined by heat loss calculations.

### FEATURES:

- Contemporary look and compact size ideal for new residential or commercial installations where space is limited.
- Adaptable for retrofits into 7-7/8" x 11-1/2" x 4" back-box (such as provided with UL-approved COS-E and CS Models) and rough-in opening same if new box is desired.
- Voltage selections: 120V, 208V and 240V.
- Wattage selections: 375W, 570W, 750W, 1125W, 1,500W and 2,000W.
- CLIP-N-FIT® patented feature (dual wattage and voltage) to help optimize inventory.
- Dual protection: self-hold limit with one time thermal fuse.
- Efficient quiet operation from smooth running multi-layer impeller.
- Quick installation and easy service with Heater/Fan Assembly fitting to back box by one screw.
- 1 year workmanship warranty, 5 year warranty on element.

**CLIP-N-FIT® FEATURE** - Patented feature (US Patented No. 6,172,343) allows the installer to change the wattage of the heater to a lower output without moving jumper wire. Each heater is factory wired for its maximum wattage. To reduce to half wattage, clip jumper wire on heating element. This patented feature also prevents the operator from changing wattage after installation to a higher wattage.

### SELECTION CHART

CATALOG NUMBER	VOLTS	CFM	240V WATTAGE	208V WATTAGE	120V WATTAGE
<b>CZ1512T</b>	120V	50	n/a	n/a	1500W/750W
<b>CZ1012T</b>	120V	50	n/a	n/a	1000W/500W
<b>CZ1048T</b>	208/240V	50	1000W/500W	750W/375W	n/a
<b>CZ1548T</b>	208/240V	50	1500W/750W	1125W/570W	n/a
<b>CZ2048T</b>	208/240V	50	2000W/1000W	1500W/750W	n/a
MOTOR AND GRILLE ONLY					
<b>CZ1512IF</b>	120V	50	n/a	n/a	1500W/750W
<b>CZ1012IF</b>	120V	50	n/a	n/a	1000W/500W
<b>CZ1512IF</b>	120V	50	n/a	n/a	1500W/750W
<b>CZ1548IF</b>	208/240V	50	1500W/750W	1125W/570W	n/a
<b>CZ2048IF</b>	208/240V	50	2000W/1000W	1500W/750W	n/a

### DIMENSIONS



### ACCESSORIES

CATALOG NUMBER	DESCRIPTION
<b>CZBB</b>	Back Box Only (Used with "IF" suffix models)
<b>CZBB6</b>	Back Box Multi-Pack (Used with "IF" suffix models)
<b>CZTDP</b>	D.P. Thermostat Kit (Range: 40-85°)
<b>CZSM</b>	Surface Mounting Frame (Used with "IF" suffix models)

# COMMERCIAL FAN-FORCED WALL HEATERS - EFQ

### APPLICATIONS:

Ideal for offices, stores, schools, churches, hospitals, dormitories, airport terminals, reception rooms, entrance lobbies, corridors and stairwells. Unit installs easily in either new or remodeled buildings.

### FEATURES:

- Steel finned metal sheath electric heating elements with low sheath temperatures provided uniform heat and long service life.
- Rugged stamped steel front cover provides a down-flow air pattern and is attractively finished in Northern White.
- Integral thermostat for quick installation...separate thermostat not necessary.
- Thermal overheat protectors disconnect power in event of overheating due to accidental blockage.
- Built-in power disconnect switch for added safety during maintenance.
- Permanently lubricated, totally enclosed fan motor provides long-life and low maintenance; gently distributes warmth through room area.
- On / Off switch.



GRILLE: 31-3/4" W x 22-3/4" H x 1-1/2" D  
BACK BOX: 30-1/2" W x 21-1/8" H x 3-3/4" D

CATALOG NUMBER	UPC 6 85360	VOLTS	PHASE	CFM	WATTS	AMPS	SHIP WT. (LBS.)	BUILT-IN THERMOSTAT
<b>EFQ6008</b>	02135 5	208	1	200	6000	28.8	50	Yes
<b>EFQ6004</b>	02131 7	240	1	200	6000	25	50	Yes
<b>EFQ6007</b>	02134 8	277	1	200	6000	21.7	50	Yes
<b>EFQ6003</b>	02130 0	347	1	200	6000	17.3	50	Yes
<b>EFQ60048</b>	02132 4	480	1	200	6000	12.5	50	Yes
<b>EFQ6006</b>	02133 1	600	1	200	6000	10	50	Yes
<b>EFQ8008</b>	02141 6	208	1	200	8000	38.5	50	Yes
<b>EFQ8004</b>	02137 9	240	1	200	8000	33.3	50	Yes
<b>EFQ8007</b>	02140 9	277	1	200	8000	28.9	50	Yes
<b>EFQ8003</b>	02136 2	347	1	200	8000	23.1	50	Yes
<b>EFQ80048</b>	02138 6	480	1	200	8000	16.7	50	Yes
<b>EFQ8006</b>	02139 3	600	1	200	8000	13.3	50	Yes

### ACCESSORIES (optional)

CATALOG NUMBER	UPC	DESCRIPTION	SHIP WT. (LBS.)
<b>EFQSM</b>	6 85360 02127 0	Surface Mounting Frame	6
<b>EFQS1</b>	6 85360 02128 7	1 Semi-Recess Frame	5
<b>EFQS2</b>	6 85360 02129 4	2 Semi-Recess Frame	6
<b>EFQR24</b>	6 85360 02126 3	24V Power Relay	1
<b>EFQR120</b>	6 85360 02125 6	120V Power Relay	1

# TOE SPACE FAN-FORCED HEATERS

## QTS



### FEATURES:

- Steel plate fin element.
- Built-in or remote thermostat models.
- Thermal cutout.
- Quiet, tangential blower.

GRILLE: 3-5/8" H x 15-3/8" W  
 BACK BOX: 3-1/2" H x 8-7/8" D x 14-1/8" W

CATALOG NUMBER	UPC	VOLTS	WATTS	AMPS	SHIP WT. (LBS.)
QTS1100	6 85360 06538 0	120	1125/563	9.4/4.7	10
QTS1104	6 85360 06539 7	240	1125/563	4.7/2.3	10
		208	844/422	4.1/2.0	
QTS1500T	6 85360 06541 0	120	1500/750	12.5/6.3	11
QTS1504T	6 85360 06543 4	240/208	1500/750	6.3/3.1	11
			1125/564	5.4/2.7	
QTSAG	6 85360 06532 8	Adapter Grille 3-1/2" H x 23-3/8" W			1
QTSTSP	6 85360 06533 5	120 - 240 Volt Thermostat Kit			1

NOTE: QTS1500T & QTS1504T are shipped with single pole thermostat installed. QTS1100 & QTS1104 require TSTSP or remote wall mounted thermostat.

## UTILITY WELL HOUSE HEATERS- WHT500

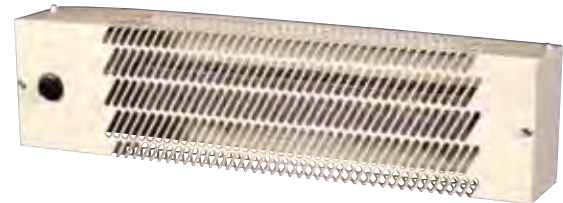
### APPLICATIONS:

Install it anywhere heat is needed to prevent pipes, pumps, and other water, hydraulic fluid or oil-filled equipment from freezing.

It is designed to provide automatic, 24-hour protection. Set the thermostat at any desired level and leave it. There are no moving parts. It is maintenance free and can be left unattended all winter long — ideal for remote location.

### FEATURES:

- A steel sheath, aluminum finned element provides fast heat dissipation and a long life because of cooler sheath temperatures.
- The heater cabinet encloses the element and consists of neutral grey epoxy painted galvanized steel for corrosion protection.
- The thermostat is completely contained within the control box. Temperature control range is 40° to 70°F.
- One model is adaptable to 120V or 240/208V supply. Shipped wired for 240/208V field conversion to 120V is quick and easy.
- All power supply and control wiring terminates in the tamperproof control box — no live voltage in the element area.



NEUTRAL GRAY FINISH

DIMENSIONS  
 21" L x 5" H x 3-1/2" D



CATALOG NUMBER	UPC	VOLTS	THERMOSTAT TEMP RANGE	WATTS	AMPS	SHIP WT. (LBS.)
WHT500	6 85360 08049 9	240/208/120	40° - 70°	500/376/500	2.1/1.8/4.2	6

## FLOOR DROP-IN HEATERS- FDI

### FEATURES:

- Heavy-duty grille.
- Overheat thermal protector.
- Sandal wood baked enamel grille finish.
- Push-on tab wire terminals.
- Quiet operation.
- Versatile, universal size draft barrier heater.

GRILLE: 15-3/8" L x 8-3/4" W  
 HOUSING: 14" L x 7-1/4" W x 6-5/8" D



### MOUNTING:

Do not install in bathroom or other areas where water may enter heater unit. Do not locate where air flow may be obstructed (under drapes, behind doors, etc.). Keep short side 36" min. and long side 3" min. from side walls. Do not install in ceiling or wall.

CATALOG NUMBER	UPC 6-85360	VOLTS	CFM	WATTS	AMPS	SHIP WT. (LBS.)
FDI1500	6 85360 02626 8	120	80	1500/750	12.5/6.3	10
FDI1504	6 85360 02628 2	240	80	1500/750	6.3/3.1	10
			208	1125/563	5.4/2.7	
FDITSP	6 85360 02619 0	120-240V T'stat Kit				1

\*60hz: single-phase

# COUNTERFLOW ELECTRIC WALL FURNACE - CFWF



## APPLICATIONS:

This heater works by drawing cool air in at the top grille inlet and pushing it with a fan downward over the heating elements. Warm air is discharged into the room through the bottom grille outlet near the floor. The warm air at the floor creates a gentle convective process in the room, preventing stratification of warm air near the ceiling and ensuring comfort for the occupants. Ideal for apartments as primary heat source. Delivers 31,400 BTUH at 240V, 9.2KW output. Great source of supplementary heating of offices, reception rooms, game rooms and similar light duty commercial and residential applications.

## FEATURES:

- Heater can be surface mounted or recessed into wall sections (maximum depth of recess is 5-3/8").
  - Heavy duty open coil electric heating elements provides uniform heat and long service life.
  - Large fan blower at top of unit pushes air down over heating element and quietly delivers heated air at floor level.
  - Digital 24volt, 2-wire electronic thermostat included with heater.
  - Electrostatic soft white powder coat finish offers attractive appearance in a neutral color that is compatible with any decor.
  - Contemporary styling uses soft curves on all edges, avoiding the sharp corners of a square design.
  - Large wiring compartment is accessible from the front of the heater enabling rapid, easy hookup.
- Optional rear outlet package allows some heated air to adjoining rooms. Mounted in wall behind heater..

CATALOG NUMBER	UPC	DIMENSION (INCHES)	AMPS	VOLTS	KW	CFM	SHIP WT. (LBS.)	
CFWF920	6 85360 08643 9	72-1/2"H x 14-1/8" W x 7" D	40.0	240	9.2	300	60	
Can be recessed or surface mounted. (Recess mount wall opening 75-1/2" H x 14-3/8" W)								
CFWFRO	6 85360 10716 5	Rear Outlet Package				300	6	



# COMMERCIAL DOWNFLOW CEILING MOUNTED HEATERS - CDF



## In the ceiling.....or on it!

Type FFCH ceiling-mounting fan-forced heaters are designed for commercial and industrial areas requiring electric fan-forced heat. Capacities are 2,000 to 5,000 watts. Type FFCH-SE surface enclosures are designed to mount flat on the ceiling and extend only six inches into the room. Type FFCH-RE enclosures have no protrusions outside the recess box, allowing the heater to recess only seven inches into ceiling space. Mounts into permanent ceiling with trim ring.

Deliver heat where you want it... in vestibules, hallways, workshops, restrooms and entry way.

Type FFCH-RE enclosures also mount easily into standard 2 x 2 ceiling grids.

**RECESSED MOUNT:**  
23-3/4" W x 23-3/4" L x 7" D

**SURFACE MOUNT:**  
16-1/2" W x 20" L x 5-3/4" D

**BUILT-IN FAN DELAY** — Space temperature is controlled by a wall or unit-mounted thermostat. When the thermostat calls for heat, the heating elements and fan energize. When the thermostat is satisfied, the elements shut off, but the fan continues to operate until all of the heated air is discharged. This feature avoids exposing the heater to residual heat, thus achieving a high comfort level and longer component life.

**AUTOMATIC THERMAL CUTOUT** — A thermal cutout shuts off the heater in the event of over-heating and reactivates the heater when the temperature returns to normal.

**MULTIPLE PHASE HEATERS** — The 208 and 240 volt heaters can be field converted from single to three-phase operation. 277 volt single-phase heater is also available.

**MULTIPLE WATTAGE HEATER SECTIONS** — The 5,000 watt heater can be field converted to 3,800 watts or 2,500 watts, and the 4,000 watt heater is convertible to 3,000 or 2,000 watts.

**Phosphatized, Baked Enamel Finish:** All sheet metal and extruded aluminum parts, except the back box, are phosphatized, then finished by a baked enamel electrostatic painting process.

**Elements:** Steel fins are copper-brazed to low-watt density, steel-sheathed, tubular heating elements which are arranged in a uniform grid pattern. The grid covers the entire intake area, resulting in uniform heating of all discharged air.



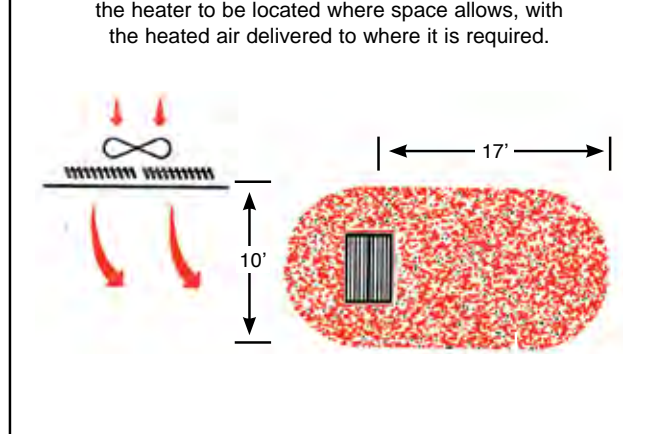
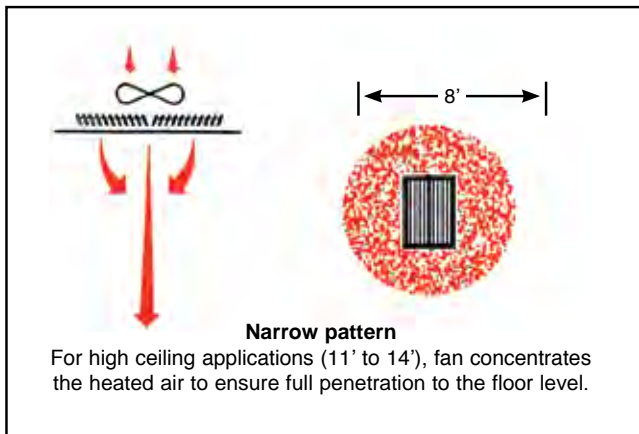
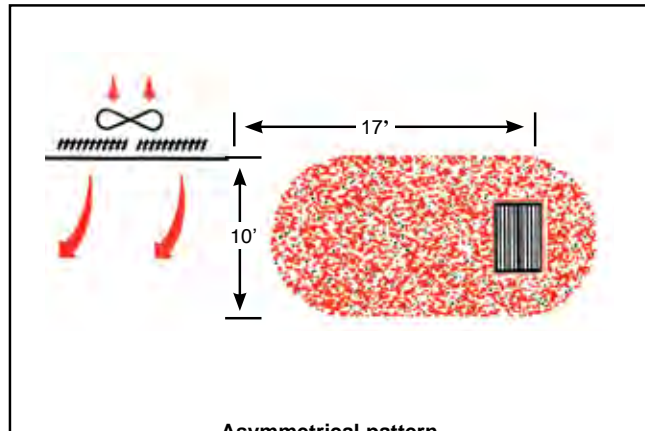
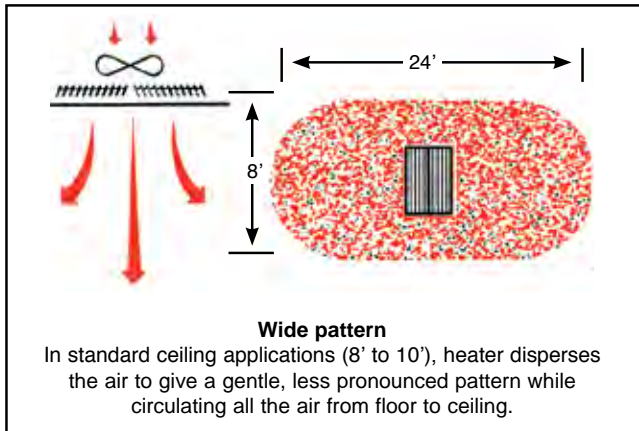
**Efficient Operation:** The five-bladed aluminum fan and the rugged impedance-protected, totally-enclosed motor, achieve efficient operation.



**THUMB PINS** align and temporarily hold the enclosure cover to the heating section freeing both hands to finish installation.

300 CFM of airflow.

# Totally adjustable airflow...even from 14 ft. ceilings!



CATALOG NUMBER	UPC	MOUNTING	KW	BTU/HR (000)	AMPS	VOLTS	PHASE	CFM	SHIP WT (LBS.)
CDF548	6 85360 01510 1	Heater Section Only	4/3/2	13.7/10.2/6.8	19.2/14.2/9.6	208	1-3	300	27
CDF542	6 85360 01508 8				16.7/12.5/8.3	240	1-3		
CDF547	6 85360 01509 5				14.4/10.8/7.2	277	1		
CDF558	6 85360 01513 2		5/3.8/2.5	17.1/13/8.5	24/18.3/12	208	1-3	300	27
CDF552	6 85360 01511 8				20.8/15.8/10.4	240	1-3		
CDF557	6 85360 01512 5				18.1/13.7/9	277	1		

## CDF ACCESSORIES\*\*

CATALOG NUMBER	UPC	DESCRIPTION	SHIP WT (LBS.)
CDFSE	6 85360 01501 9	Surface Mounting Enclosure Only - To Be Used With Above Heater Sections	10
CDFRE	6 85360 01498 2	Recess Mounting Enclosure Only - To Be Used With Above Heater Sections	18
CDFSENW	6 85360 14961 5	Surface mounted Northern White - To Be Used With Above Heater Section. Dim. 20" L x 16-1/2" W x 5-3/4" D	10
CDFRENW	6 85360 14963 9	Recessed mounted Northern White - To Be Used With Above Heater Sections. Dim. 23-3/4" L x 23-3/4" W x 7" D	18
CDFTR	6 85360 01503 3	Thermostat SPST - Range 45 to 95°F	1
CDF24R	6 85360 01507 1	Relay (Time Delay 45-60 sec. to close when energized) requires 24 volt supply from remote source	1
CDFR12	6 85360 01500 2	Relay (Time Delay 45-60 sec. to close when energized) requires 120 volt supply from remote source	1
CDFDS	6 85360 01496 8	Power Disconnect Switch (3-Pole) 30 amps, 600 volts, 3Ø, 60 Hz	1
CDFSTK	6 85360 01504 0	Trim Ring for mounting on permanent ceiling (cannot be factory installed)	1
CDFTR4	6 85360 01505 7	208/240V Primary Transformer/24V sec. and 24V holding coil control relay	1
CDFTR7	6 85360 01506 4	277V. Primary Transformer/24V sec. and 24V holding coil control relay	1

1. Factory wired for highest wattage, field convertible to lower wattages.  
 2. Factory wired 1Ø, field convertible to 3Ø. 3Ø on dual-phase units, maximum amp draw is listed.  
 3. Amperage shown is for single phase  
 \*\* For factory installation of above controls, add \$60.00 list. Not applicable on 20 or more heaters.

# CEILING MOUNTED FAN-FORCED HEATERS

## EFF

### APPLICATIONS:

Qmark's high-capacity, heavy-duty fan forced ceiling heaters are designed for use almost anywhere in commercial, industrial or institutional areas requiring electric fan forced heaters in 1,500 to 4,800 watt capacity range where wall space is not available. They perform exceptionally well in such applications as entryways, hallways, restrooms, stores, detention environments, and similar large areas. They will accommodate pneumatic/ electric or low voltage controls commonly used with computerized energy management systems. 1/4 inch mesh screen deters insertion of foreign objects.

### Finish: Navajo White

Heavy duty 14 gauge louvered front cover grille with tamper resistant screws and 1/4 inch mesh screens.



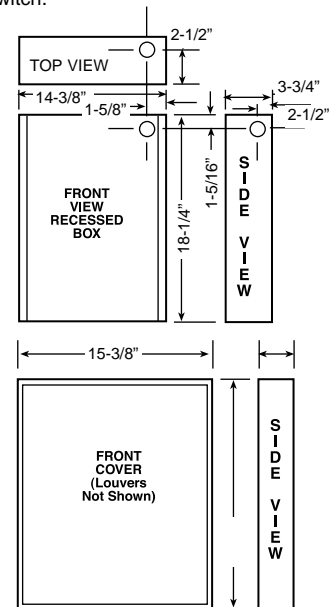
CATALOG NUMBER	UPC 6 85360	VOLTS	CFM	WATTS	BTU/HR.	AMPS	SHIP WT. (LBS.)
EFF1500	14810 6	120	150	1500	5120	12.5	23
EFF3007	05907 5	277	150	3000/1500	10239/5120	10.8/5.4	23
EFF4008	05913 6	208	150	4000/2000	13652/6826	19.2/9.8	23
EFF4004	05909 9	240	150	4000/2000	13652/10239	16.7/14.4	23
		208		3000/1500	10239/5120		
EFF4007	05912 9	277	150	4000/2000	13652/10239	14.4/12.5	23
		240		3000/1500	10239/5120		
		240/208		4800/3600	16382/12287		
EFF4804	05916 7	240/208	150	4800/3600	16382/12287	20.0/17.3	23
EFF4807	05919 8	277/240	150	4800/3600	16382/12287	17.3/15.0	23
EFF3003	02108 9	347	150	3000	10239	8.6	23
EFF3006	02109 6	600	150	3000	10239	5	23
EFF4003	02111 9	347	150	4000	13652	11.5	23
EFF4006	02114 0	600	150	4000	13652	6.7	23
EFF4803	02118 8	347	150	4800	16382	13.8	23
EFF4806	02121 8	600	150	4800	16382	8	23
EFF48483	15584 5	480	150	4800	16382	5.8	23
EFF48483LV	15586 9	480	150	4800	16382	5.8	23

\* Factory wired at higher wattage

GRILLE: 15-3/4" W x 19-1/8" L x 1" D  
ROUGH-IN: 14-3/8" W x 18-1/4" L

### FEATURES:

- Built in on / off switch.
- When using wall thermostat, separate thermostat wiring is required.
- Heavy duty 14 gauge louvered front cover grille with tamper resistant screws and 1/4 inch mesh screens.
- On / Off switch.



### ACCESSORIES (optional)

CATALOG NUMBER	UPC 6 85360	DESCRIPTION	SHIP WT. (LBS.)
EFFSM	02098 3	Surface Mounting Sleeve	2
EFFR2 (24V)	02097 6	Time delay relay, 45-60 seconds to close when energized Uses remote 24V or 120V power source	2
EFFR12 (120V)	02096 9		
EFFTBF	02099 0	T-Bar Frame Kit	1
*EFFT1	02102 7	Single Pole T-Stat. (Field Installed)	
*EFFT2	02103 4	Double Pole Thermostat. (Field Installed)	3
EFFTR4	02100 3	208/240V Primary Transformer 24V Relay	1
EFFTR7	02101 0	277V Primary 24V Sec. Transformer Relay	1

\*Range: 40° - 90°F.



# CEILING MOUNTED FAN-FORCED HEATERS - QCH

### APPLICATIONS:

QCH type fan forced mounted heaters are designed for dens, basements, converted attics, breeze ways, garages, bathrooms, small offices, workshops and similar areas. Also adaptable to multiple installations in somewhat larger or odd shaped rooms.



### FEATURES:

- Ceiling Mounted.
- Four Voltages/Dual Ratings.
- Built-in On / Off switch.
- Three Piece Design.
- 500 to 2000 Watts.
- Recessed or Surface Installation.
- Standard Navajo White Finish.
- On / Off switch.

GRILLE: 10-1/2" L x 12-1/2" W x 1" D  
HOUSING: 9-3/4" L x 11" W x 3-3/4" D

CATALOG NUMBER	UPC	VOLTS	WATTS	AMPS	CFM	SHIP WT. (LBS.)
QCH1101F	6 85360 05875 7	120	1000	8.3	65	10
			500	4.7		
QCH1151F	6 85360 05876 4	120	1500	12.5	65	10
			750	6.3		
QCH1202F	6 85360 05879 5	240/208	2000/1500	8.3/7.2	65	10
			1000/750	4.2/3.6		
QCH120F7	6 85360 05880 1	277/240	2000/1500	7.2/6.3	65	10
			1000/750	3.6/3.1		

\*\* As shipped - Field adjustable to 1/2 wattage.

### ACCESSORIES (optional)

CATALOG NUMBER	UPC	DESCRIPTION	SHIP WT. (LBS.)
QCHSM	6 85360 05872 6	Surface mounting sleeve, Northern White	2
QCHS1	6 85360 05873 3	1" Semi-Recessed Frame, Northern White	2
QCHS2	6 85360 05874 0	2" Semi-Recessed Frame, Northern White	2
QCHTBF	6 85360 08738 2	T-Bar Frame Kit	5

NOTE: requires 2 separate leads from heater to field supplied single pole wall thermostat.

# UNIT HEATERS

## MUH35

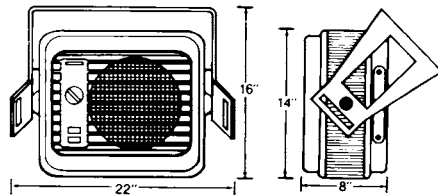
### APPLICATIONS:

Mounts either on the wall or from the ceiling can be used for primary or spot heating. For factories, garages, schools, etc. Airflow can be directed horizontally, vertically or any position between for precise control.



### FEATURES:

- Multiple wattage heat selector switch. Either 5KW or 3.3KW @ 240V (3.7KW or 2.5KW @ 208V) for just the right amount of heat.
- Fan only switch allows fan to cycle automatically with elements or run continuously for air movement when no heat is required.
- Built-in bi-metal thermostat. Range 40° to 90°F.
- Heater is shipped with ceiling/wall bracket.
- Heavy gauge die-formed steel housing.
- Advanced pull-through air flow design draws air across heating element for more even air distribution and cooler element operation.
- Specially designed venturi outlet to meet that added throw as required in vertical position.
- Completely enclosed fan motor.
- Aluminum-finned, copper clad steel sheath heating element has longer useful life, because of cooler sheath temperature and faster heat dissipation.
- This heater uses a manual reset thermal cut-off with reset button located on front for easy access.
- Ruggedly built, yet lighter weight for easier installation. No piping flues, valves, or traps.
- Meets all UL, NEC, and OSHA requirements.



CATALOG NUMBER	UPC 6 85360	VOLTS	WATTS	BTU/HR.	AMPS	SHIP WT. (LBS.)
MUH35C	04757 7	240	5000/3333	17060/11372	21.0/14.0	28
		208	3750/2500	12795/8530	18.0/12.0	
PHCS1B	Cord & Plug Assembly (Optional)					

### SPECIFICATIONS

AIR DELIVERY DATA			FAN MOTOR DATA			MAXIMUM EFFECTIVE MOUNTING HEIGHT		HORIZ. AIR THROW	WIRE SIZE
CFM	FPM	ΔT(°F)	VOLTS	RPM	HP	HORIZ.	VERT.		
210	550	71°	240/208	1600	1/100	8	15	24	AWG 10

## HORIZONTAL/DOWNFLOW UNIT HEATERS - MWUH



### APPLICATIONS:

Auxiliary, supplementary, or primary heat source in factories, stores, garages, basements, warehouses, public buildings, service stations, stockrooms, offices, workshops, toll booths, closing offices, large or exposed areas or additions.

### FEATURES:

- Heater comes equipped with ceiling mounting bracket for horizontal or vertical flow mounting or any position in between.
- Built-in single pole thermostat adjusts from 45° to 135°F.
- Automatic control delays fan action until heating element is warm. When thermostat is satisfied, fan continues to operate until heating element is cool. By preventing circulation of cold air and expelling excess heat, comfort level is raised and component life is extended.
- A high-level cutout automatically shuts off current in event of overheating and reactivates the heater when temperature returns to normal.
- Dimensions are 14" wide, 12-1/2" tall, and 11-1/4" deep.

CATALOG NUMBER	UPC 6 85360	VOLTS	WATTS	BTU/HR.	PHASE	FAN MOTOR WATTS	CONTROL CIRCUIT & FAN MOTOR VOLTS	FAN MOTOR RPM	AIR VOLUME CFM	THROW	MIN. MTG. HT.	HEATER AMPS	MIN. CKR. AMPS.	SHIP WT. (LBS.)
MWUH5004	03880 3	208	1874	6396	1	6	208	1350	270	16'	6'	9.0	11.3	24
			2500	8553								12.0	15.0	
			2812	10659								15.0	18.5	
			3750	12799								18.0	22.5	
			2500	8533								10.4	13.0	
		240	3332	11365			13.9					17.4		
			3750	14215			17.4					21.8		
			5000	17065			20.9					26.1		
			2812	9598			13.5					11.3		
			3750	12799			18.0					15.0		
MWUH7504	14870 0	208	4685	15990	1	6	208	1400	270	18'	8'	22.5	18.5	27
			5625	19198								27.1	22.5	
			3750	12799								15.6	19.5	
			5000	17065								20.8	26.0	
			6250	21331								26.0	32.5	
		240	7500	25598			31.3					39.1		
			2500	8533			12.0					-		
			3332	11365			16.0					-		
			4165	14215			20.0					-		
			2500	17065			24.0					-		
MWUH5008	04771 3	208	2500	8533	1	6	208	1400	270	16'	8'	12.0	-	26
			3332	11365								16.0	-	
			4165	14215								20.0	-	
			2500	17065								24.0	-	

# UNIT HEATERS

## MUH

### APPLICATIONS:

For factories, warehouses, garages, stores, shipping rooms, power stations, aircraft hangers. Can be used for primary, supplementary, spot, or dual- system heating. Unit mounts either horizontally or vertically. Totally versatile.

### FEATURES:

- Wide range of optional control kits are field installable, increasing the MUH adaptability to the specification market.
- Forced air unit heater with 10 power ratings; from 3KW to 50 KW heating output; 208, 240, 277, 347, 480 and 600V, 10,230 to 170,500 BTU/hr.
- 32 compatible models (no need to try to assemble a heating system from 70 or 80 models!).
- Heavy gauge die-formed steel housing. Front & back case is Neutral Grey color while the wrap around steel section is Statuary Bronze color. Small to medium case construction is 20ga. Steel. the larger cabinet is 18 ga. Steel.
- Advanced pull-through air flow design draws air across heating element for more even air distribution and cooler element operation.
- Specially designed venturi outlet to meet that added throw as required in vertical position.
- Branch circuit fusing (when required).
- Completely enclosed fan motor.
- 1- or 3-phase wiring on 5 through 10 KW 208/240V and 15 KW 208V units (field interchangeable).
- Aluminum-finned, copper clad steel sheath heating element has longer useful life, because of cooler sheath temperature and faster heat dissipation.
- 24V control transformer standard on most models, providing a safer and more accurate means of temperature control. 3KW and 5KW, 208-277V, have line voltage controls as standard (24V control available on made-to-order basis).
- Automatic reset linear thermal cut-out, capillary type, provides protection over entire length of element areas (Manual reset protection available on made-to-order basis).
- 2-speed fan selector switch (25 to 50 KW models).
- Fan delay feature eliminates cold drafts. Element heats up before fan cuts in, then fan continues to distribute heat after element shuts off.
- Ruggedly built, yet lighter weight for easier installation. No piping flues, valves, or traps.
- Individually adjustable discharge louvers to control air flow.
- Choice of optional diffusers for variety of air patterns, maximizing heat concentration and coverage in the vertical position.
- Meets all UL, NEC, and OSHA requirements.

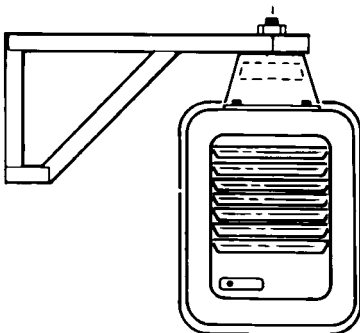


### UNIVERSAL WALL & CEILING BRACKET

CATALOG NUMBER	USED ON
B10	MUH03, 05, 07 & 10
B20	MUH15 & 20
B30	MUH25 & 30
B50	MUH40 & 50

### CEILING BRACKET

CATALOG NUMBER	USED ON
CMB10	MUH03, 05, 07 & 10
CMB20	MUH15 & 20
CMB30	MUH25 & 30
CMB50	MUH40 & 50

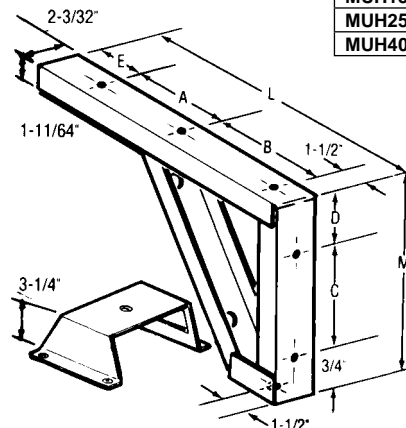


### BRACKET SIZE

DIMENSION	3-20Kw	25 - 50K
A	7-1/4"	9-7/16"
B	9-1/2"	14-3/8"
C	7-1/4"	12-1/8"
D	11-5/16"	2-1/16"
E	2-1/4"	3"
L	20-1/2"	28-15/16"
M	9-15/16"	14-15/16"
N	3-1/4"	4-1/2"

### OPTIONAL VERTICAL CEILING MOUNTING BRACKET

CATALOG NUMBER	USED ON	STANDARD QTY.	CARON WT. (LBS.)
VDMB5	MUH03-05	1	5
VDMB20	MUH07-20	1	7
VDMB50	MUH25-50	1	9



### OPTIONAL BUILT-IN CONTROLS AND ACCESSORIES ON MUH HEATERS

FACTORY INSTALLED ONLY**	DESCRIPTION
	MUH03 & 05 (208, 208/240, 277V Supply) 24 or 120V Control Transformer and Power Contactor 24 or 120V H.C. Power Contactor
	MUH03 & 05 (480V Supply) & MUH07 thru MUH50 Optional 120V Control
	2-Stage Control of Elements (See Note 5)
	Manual Reset
	Outlet Mesh (Bird Screen) For all MUH Heaters

\*\*Optional built-in controls and accessories factory installed only - Not to be field installed

### DIMENSIONS

CATALOG NUMBER	HEIGHT	WIDTH	DEPTH
MUH03 & 05	16"	14"	7-1/2"
MUH07 & 10	21-3/4"	19"	7-1/2"
MUH15 & 20	21-3/4"	19"	12-3/4"
MUH25 & 30	30"	26-5/8"	11-3/4"
MUH40 & 50	30"	26-5/8"	17-1/8"

### OPTIONAL DUST SHIELDS

CATALOG NUMBER	USED ON	WT. (LBS.)
JRDS8	MUH03-10	3.0
JRDS14	MUH15-20	6.0
JRDS19	MUH25-50	8.0

Dust shields have a two week lead time.



### MOUNTING LIMITATIONS:

Unit heaters should not be used in potentially explosive atmospheres. The finish is not intended for direct salt spray exposure in marine applications or the highly corrosive atmospheres of swimming pools, chemical storage bins, etc. Do not install unit heaters above recommended maximum mounting height. Obstructions must not block unit heater air inlet or discharge. Heaters must be mounted at least 7' above the floor to prevent accidental contact with the heating element or fan blade which could cause injury.



ELECTRICAL DATA				AIR DELIVERY DATA FAN MOTOR DATA										MOUNTING HEIGHT					
CATALOG NUMBER	UPC 6-85360	VOLTS	PHASE	KW	BTU/HR.	AMPS (3)	CONTROL VOLT (1)	2 STAGE ELEMENT CONTROL	CFM (2)	FPM (2)	ΔT(°F)	VOLTS	RPM (2)	HP	HORIZ.	VERT.	HOROZ. THROW	WIRE SIZE	SHIP WT. (LBS.) W/BRCKT
MUH0381	04721 8	208	1Ø	3	10.2	14.5	208	N/A	350	800	27°	208	1600	1/100	8	9	12	AWG 12	1
MUH0581	04728 7	208	1-3Ø	5	17	24	208	5A	350	800	45°	208	1600	1/100	8	9	12	AWG 10	27
MUH078	04735 5	208	1-3Ø	7.5	25.6	36	24	5B	650	970	37°	208	1600	1/30	9	14	18	AWG 6	38
MUH108	04741 6	208	1-3Ø	10	34.1	48	24	5B	650	970	49°	208	1600	1/30	9	14	18	AWG 4	38
MUH158	04745 4	208	1-3Ø	15	51.2	72	24	5A	910	1640	52°	208	1530	1/20	11	20	35	AWG 2	53
MUH208	04749 2	208	3Ø	20	68.2	56	24	5A	1320	2060	48°	208	1500	1/10	12	23	41	AWG 4	60
MUH308	04756 0	208	3Ø	30	102.3	84	24	5A	2100/1800	2100/2030	45°/53°	208	1600/1375	1/4	12	20	50	AWG 1	93
MUH508	04766 9	208	3Ø	50	170.5	139	24	5A	3000/2600	3260/2900	53°/61°	208	1525/1420	1/2	15	25	60	AWG 4/0	114
MUH0321	04716 4	208/240	1Ø	2.2/3.0	7.5/10.2	11.0/12.5	208/240	N/A	350	800	27°	208/240	1600	1/100	8	9	12	AWG 12	27
MUH0521	04722 5	208/240	1-3Ø	3.7/5.0	12.6/17.0	18.0/21.0	208/240	5A	350	800	45°	208/240	1600	1/100	8	9	12	AWG 10	27
MUH072	04730 0	208/240	1-3Ø	5.6/7.5	19.1/25.6	27.0/31.3	24	5B	650	970	37°	208/240	1600	1/30	9	14	18	AWG 8	38
MUH102	04736 2	208/240	1-3Ø	7.5/10.0	25.6/34.1	36.0/42.0	24	5B	650	970	49°	208/240	1600	1/30	9	14	18	AWG 6	38
MUH152	04742 3	208/240	3Ø	11.2/15.0	38.2/51.2	31.3/36.1	24	5C	910	1640	52°	208/240	1530	1/20	11	20	35	AWG 6	53
MUH202	04746 1	208/240	3Ø	15.0/20.0	51.2/68.2	41.2/48.0	24	5C	1320	2060	48°	208/240	1500	1/10	12	23	41	AWG 4	60
MUH252	04750 8	208/240	3Ø	18.7/25.0	63.8/85.2	52.0/60.0	24	5A	2100/1800	2100/2030	38°/44°	208/240	1600/1375	1/4	13	23	50	AWG 3	93
MUH302	04753 9	208/240	3Ø	22.5/30.0	76.7/102.3	63.0/72.3	24	5A	2100/1800	2100/2030	45°/53°	208/240	1600/1375	1/4	12	20	50	AWG 2	93
MUH402	04760 7	208/240	3Ø	30.0/40.0	102.3/136.4	83.4/96.4	24	5A	3000/2600	3260/2900	42°/49°	208/240	1525/1420	1/2	15	28	60	AWG 1/0	114
MUH502	04763 8	208/240	3Ø	37.5/50.0	127.3/170.5	104.2/120.4	24	5A	3000/2600	3260/2900	53°/61°	208/240	1525/1420	1/2	15	25	60	AWG 3/0	114
MUH0371	04720 1	277	1Ø	3	10.2	11	277	N/A	350	800	27°	277	1600	1/100	8	9	12	AWG 14	27
MUH0571	04727 0	277	1Ø	5	17	18	277	N/A	350	800	45°	277	1600	1/100	8	9	12	AWG 10	27
MUH077	04734 8	277	1Ø	7.5	25.6	27	24	5B	650	970	37°	277	1600	1/30	9	14	18	AWG 8	38
MUH107	04740 9	277	1Ø	10	34.1	36	24	5B	650	970	49°	277	1600	1/30	9	14	18	AWG 6	38
MUH0341	04718 8	480	3Ø	3	10.2	3.6	24	N/A	350	800	27°	480	1600	1/100	8	9	12	AWG 14	27
MUH0541	04725 6	480	3Ø	5	17	6	24	N/A	350	800	45°	480	1600	1/100	8	9	12	AWG 14	27
MUH074	04732 4	480	3Ø	7.5	25.6	9	24	5B	650	970	37°	480	1600	1/30	9	14	18	AWG 14	38
MUH104	04738 6	480	3Ø	10	34.1	12	24	5B	650	970	49°	480	1600	1/30	9	14	18	AWG 14	38
MUH154	04743 0	480	3Ø	15	51.2	18	24	5C	910	1640	52°	480	1530	1/20	11	20	35	AWG 10	53
MUH204	04747 8	480	3Ø	20	68.2	24	24	5C	1320	2060	48°	480	1500	1/10	12	23	41	AWG 10	60
MUH254	04751 5	480	3Ø	25	85.2	30	24	5C	2100/1800	2100/2030	38°/44°	480	1600/1375	1/4	13	23	50	AWG 8	93
MUH304	04754 6	480	3Ø	30	102.3	36	24	5C	2100/1800	2100/2030	45°/53°	480	1600/1375	1/4	12	20	50	AWG 6	93
MUH404	04761 4	480	3Ø	40	136.4	48	24	5A	3000/2600	3260/2900	42°/49°	480	1525/1420	1/2	15	28	60	AWG 4	114
MUH504	04764 5	480	3Ø	50	170.5	60.2	24	5A	3000/2600	3260/2900	53°/61°	480	1525/1420	1/2	15	25	60	AWG 4	114
MUH0331	04717 1	347	1Ø	3	10.2	8.6	347	N/A	350	800	27°	347	1600	1/100	8	9	12	AWG 14	27
MUH0531	04724 9	347	1Ø	5	17	14.4	347	N/A	350	800	45°	347	1600	1/100	8	9	12	AWG 10	27
MUH073	04731 7	347	1Ø	7.5	25.6	21.6	24	5B	650	970	37°	347	1600	1/30	9	14	18	AWG 14	38
MUH103	04737 9	347	1Ø	10	34.1	28.8	24	5B	650	970	49°	347	1600	1/30	9	14	18	AWG 14	38
MUH0361	04719 5	600	3Ø	3	10.2	2.9	24	N/A	350	800	27°	600	1600	1/100	8	9	12	AWG 14	27
MUH0561	04726 3	600	3Ø	5	17	4.8	24	N/A	350	800	45°	600	1600	1/100	8	9	12	AWG 10	27
MUH076	04733 1	600	3Ø	7.5	25.6	7.3	24	5B	650	970	37°	600	1600	1/30	9	14	18	AWG 14	38
MUH106	04739 3	600	3Ø	10	34.1	9.7	24	5B	650	970	49°	600	1600	1/30	9	14	18	AWG 14	38
MUH156	04744 7	600	3Ø	15	51.2	14.5	24	5C	910	1640	52°	600	1530	1/20	11	20	35	AWG 12	53
MUH206	04748 5	600	3Ø	20	68.2	19.3	24	5C	1320	2060	48°	600	1500	1/10	12	23	41	AWG 12	60
MUH256	04752 2	600	3Ø	25	85.2	24.2	24	5C	2100/1800	2100/2030	38°/44°	600	1600/1375	1/4	13	23	50	AWG 10	93
MUH306	04755 3	600	3Ø	30	102.3	29	24	5C	2100/1800	2100/2030	45°/53°	600	1600/1375	1/4	12	20	50	AWG 8	93
MUH406	04762 1	600	3Ø	40	136.4	38.7	24	5A	3000/2600	3260/2900	42°/49°	600	1525/1420	1/2	15	28	60	AWG 6	114
MUH506	04765 2	600	3Ø	50	170.5	48.3	24	5A	3000/2600	3260/2900	53°/61°	600	1525/1420	1/2	15	25	60	AWG 3	114

**NOTES:**

- All standard units are supplied with a low voltage control transformer and contactor (24V) except MUH03 & 05, 208, 240 & 277 volt models. Low voltage control on these units is available on made to order. All units are also available on special order for 120 volt control; internal with transformer or external without transformer.
- On dual voltage units CFM, FPM, & RPM ratings are listed at higher voltage operation in Full Line Catalog. 3. On dual phase units maximum amp draw is listed for respective voltage in Full Line Catalog.
- 4, 25 thru 50 KW models having two-speed motors and dual CFM ratings are listed in Full Line Catalog. 5A - Standard 5B - Optional - made to order - amp load unbalanced on 3 Phase. 5C - Optional - made to order - amp load balanced on 3 Phase.
- \* Must use 2-stage Thermostat on 3Ø operation.

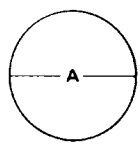
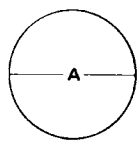
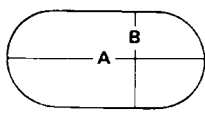
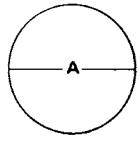


### OPTIONAL FIELD INSTALLED ELECTRICAL CONTROLS

CATALOG	UPC 6 85360	DESCRIPTION	ELECTRICAL RATING	USE WIDTH
UHMT1	15241 7	Single Pole Internal Thermostat-Temp Range: 40F - 85F	25A @ 120, 240VAC Res. 22A @ 277VAC Res.	All MUH Series Heaters (except MUH0521 3Ø, MUH0581 3Ø which use MT2)
UHMT2	15242 4	Two Stage Internal Thermostat-Temp Range: 40F - 85F	25A @ 120, 240VAC Res. 22A @ 277VAC Res. 125VA	MUH0521 3Ø, MUH0581 3Ø, MUH158, MUH208, MUH252, MUH302, MUH308, MUH402, MUH502, MUH504, MUH508
MCFS	04637 2	Internal Summer Fan Switch 250, 480, 600V.A.C. 1,2 OR 3Ø	Pilot Duty 6A, 600VAC Res. 2 HP	All MUH Series Heaters
MRFS1	04708 9	Remote Summer Fan Switch (Line Voltage)	2 HP, 250-480VAC	All MUH Series Heaters
MRFS2	04709 6	Remote Summer Fan Switch with Relay (24V Coil-Single Pole Normally Open)	6 AFL, 35 ALR, 250VAC, 60Hz 3 AFL, 18 ALR, 480VAC, 60Hz	All MUH Series Heaters (except MUH0321, MUH0371, MUH0381, MUH0521, MUH0571, MUH0581 Units unless optional control transformer is supplied)
HRTA	04694 5	Heat Recovery Thermostat with Relay (24V Coil-Single Pole Normally Open) Hi - 120F, Low - 60F	6 AFL, 35 ALR, 250VAC, 60Hz 3 AFL, 18 ALR, 480VAC, 60Hz	All MUH Series Heaters (except MUH0321, MUH0371, MUH0381, MUH0521, MUH0571, MUH0581 Units unless optional control transformer is supplied)
MPDS25	04703 4	Power Disconnect Switch (3 Pole)	25A @ 600VAC, Res.	MUH0321, MUH0341, MUH0371, MUH0381, MUH0521, MUH0541 MUH0571, MUH0581, MUH074, MUH104, MUH154, MUH204
MPDS60	04704 1	Power Disconnect Switch (3 Pole)	63A @ 600VAC, Res.	MUH152, MUH158 3Ø only, MUH202, MUH208, MUH252, MUH254, MUH304, MUH404, MUH504

NOTE: We can not supply an integral disconnect for 60 amp heaters.

### DIFFUSER SELECTOR TABLES FOR VERTICAL MOUNTING

CATALOG	DESCRIPTION	CATALOG NUMBER	MAX. MNT. HEIGHT	A DIMENSION	DIFFUSER PATTERN AND AREA
NONE	WITHOUT DIFFUSER No diffuser needed where a straight downflow air pattern is required. For maximum air throw, remove louvers. Any of three diffusers can be added to basic heater.	MUH03 & MUH05	9	18	
NONE		MUH07 & MUH10	14	26	
NONE		MUH15	20	35	
NONE		MUH20	23	40	
NONE		MUH25	23	63	
NONE		MUH30	20	55	
NONE	MUH40	28	70		
NONE	MUH50	25	63		
MADS	ANEMOSTAT DIFFUSER The "comfort" diffuser. Produces draft-free air movement at low mounting heights. Floor coverage shown in table.	MUH03 & MUH05	8	18	
MADM		MUH07 & MUH10	12	28	
MADM		MUH15	15	35	
MADM		MUH20	17	40	
MADL		MUH25	19	60	
MADL		MUH30	17	55	
MADL	MUH40	22	77		
MADL	MUH50	20	70		
MLDS	LOUVER DIFFUSER Permits directional (straight line) air flow as in air curtain application over doorways. Rectangular coverage, Louvers can be turned in either direction.	MUH03 & MUH05	9	25(a) 12(b)	
MLDM		MUH07 & MUH10	14	39(a) 19(B)	
MLDM		MUH15	18	50(a) 25(b)	
MLDM		MUH20	20	56(a) 28(b)	
MLDL		MUH25	23	72(a) 36(b)	
MLDL		MUH30	20		
MLDL	MUH40	24	88(a) 44(b)		
MLDL	MUH50	22	80(a) 40(b)		
MRDS	RADIAL DIFFUSER Increases floor coverage. Adjustable fins, in vertical mode, direct downward in a tight pattern. Conversely, when fins are tilted to 45° angle, floor coverage is up to 25% greater at relatively low mounting heights.	MUH03 & MUH05	9	20	
MRDM		MUH07 & MUH10	14	31	
MRDM		MUH15	18	40	
MRDM		MUH20	20	45	
MRDL		MUH25	23	69	
MRDL		MUH30	20	60	
MRDL	MUH40	24	75		
MRDL	MUH50	22	68		

### OPTIONAL MOUNTING BRACKETS

CATALOG NUMBER	UPC NUMBER 6 85360	USED ON	WT. (LBS.)
B10	15229 5	MUH03 - 10	8
B20	15230 1	MUH15 & 20	10
B30	15231 8	MUH25 & 30	13
B50	15232 5	MUH40 & 50	15

### OPTIONAL CEILING MOUNTING BRACKETS

CATALOG NUMBER	UPC NUMBER 6 85360	USED ON	WT. (LBS.)
CMB10	15236 3	MUH03 - 10	3
CMB20	15237 0	MUH15 & 20	4
CMB30	15238 7	MUH25 & 30	5
CMB50	15239 4	MUH40 & 50	6

### OPTIONAL VERTICAL CEILING MOUNTING BRACKETS

CATALOG NUMBER	UPC NUMBER 6 85360	USED ON	WT. (LBS.)
VDMB5	15245 5	MUH03 - 05	5
VDMB20	15246 2	MUH07 - 20	7
VDMB50	15247 9	MUH25 - 50	9

CATALOG NUMBER	UPC 6 85360	DESCRIPTION	WT. (LBS.)
MLDS	04697 6	Louvered Diffuser for 3 & 5KW Units	5
MLDM	04696 9	Louvered Diffuser for 7.5 - 20KW Units	8
MLDL	04695 2	Louvered Diffuser for 25 - 50KW Units	10
MRDS	04707 2	Radial Diffuser for 3 & 5KW Units	5
MRDM	04706 5	Radial Diffuser for 7.5 thru 20KW Units	6
MRDL	04705 8	Radial Diffuser for 25 thru 50KW Units	10
MADS	04636 5	Anemostat Diffuser for 3 & 5KW Units	7
MADM	04635 8	Anemostat Diffuser for 7.5 - 20KW Units	10
MADL	04634 1	Anemostat Diffuser for 25 - 50KW Units	21

NOTE: Model MPDS60 disconnect switch is not suitable for field installation on 7.5 & 10 Kw unit heaters.

# INDUSTRIAL UNIT HEATERS

## IUH

### APPLICATIONS:

Applications include primary, supplementary, or auxiliary heat source in factories, stores, warehouses, public buildings, service stations, workshops, large or exposed areas or additions.

### FEATURES:

- All motors and contactor coils are 240 volt and operate on the secondary of a factory-installed step-down power transformer on 480 and 600 volt heaters so a separate fan and motor control power source is not needed.
- Steel fins are copper brazed to low watt density, steel-sheathed tubular heating elements. Fins and elements are arranged in a uniform grid pattern and fit closely into the air discharge area to assure that all incoming air passes through the heating element. Element is finished with aluminized paint for corrosion resistance. Uniform discharge of all heated air lowers internal operating temperatures and prolongs element life.
- A high-limit cutout automatically shuts off current in the event of overheating and reactivates the heater when temperature returns to normal.
- 5KW and 7.5KW heaters can be used in horizontal or vertical position. SA Models come equipped with ceiling mounting bracket for horizontal or vertical flow mounting or any position in between.
- Cabinet is finished with a polyester powder coating for excellent corrosion resistance. The finished color is neutral grey.

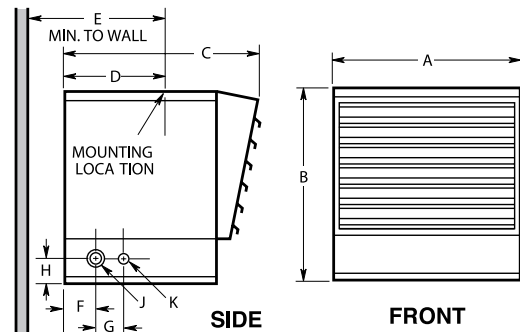


### CONTROLS & ACCESSORIES

CATALOG NUMBER	UPC 6-85360	DESCRIPTION	SHIP WT. (LBS.)
CWB1A	01820 1	Combination wall/ceiling bracket for 5KW thru 15KW units.	4
CWB2A	15240 0	Same as above but for 20KW thru 50KW units.	14
UHTA1*	15243 1	Single pole thermostat kit 60-120°F temp. range for field installation in all nits except 3Ø HUH520SA & HUH524SA.	1
UHTA2*	15244 8	Double Pole Thermostat (60-120°F) for 3Ø HUH520SA & HUH524SA.	1
IUHDS30*	01995 6	3-pole power disconnect switch kit for field installation on all horizontal unit heaters rated 24 amps or less.	1
IUHDS63*	01996 3	3-pole power disconnect switch kit for field installation on all horizontal unit heaters 10KW and above rated 24 to 50 amps.	1
IUHSW	03672 4	Summer-Winter fan switch kit. Field installed. Provides summer fan operation.	1

**NOTE:** Not applicable on 20 or more heaters. When controls are to be factory installed, list unit, control, and factory installation adder separately.

### DIMENSIONS



KW SIZE	A	B	C	D	E	F	G	H	I	J
5-7.5	14"	12-1/2"	12-3/8"	5-1/2"	13"	1-3/4"	1-3/8"	1-1/2"	(2) 1/2", 3/4"	1/2"
10-20	18"	18"	17-1/2"	9-15/32"	*	2"	2-1/2"	2-1/4"	(2) 3/4", 1"	(3) 1", 1 1/4", 1-1/2"
25-30	26"	24"	23-1/8"	9-15/32"	20"	2"	2-3/4"	2-1/4"	(2) 1", 1 1/2"	(3) 1", 1-1/2", 2"

\*13" for 10-15 KW units; 16" for 20 KW unit.

**NOTE:** HUH-SA Series Heaters, 5KW and 7.5 KW can be used in horizontal vertical position. Heaters come equipped with ceiling mounting bracket for horizontal or vertical flow mounting or any position between.

CATALOG NUMBER	UPC 6-85360	KW. CAP.	BTU/ HR.	HTR. VOLT	PHASE	THREADED ROD SIZE	FAN MTR CONT. CKT.			FAN & FAN MOTOR VOLTAGE	AIR MOTOR RPM	AIR VOL. CFM	TEMP. RISE	MAX THROW	MFG. HEIGHT	SHIP WT. (LBS.)
							HEATER 10	AMPS 30	HP or WATTS							
IUH520	04196 4	5	17	208	1-3	1/2"-13 NC	20.8	12.5	6.0W	208	1400	270	60°F	16'	8'	26
IUH524	04197 1	5	17	240	1-3	1/2"-13 NC	24	13.8	6.0W	240	1400	270	60°F	16'	8'	26
IUH548	04202 2	5	17	480	1-3	1/2"-13 NC	10.4	6	6.0W	240	1400	270	60°F	16'	8'	31
IUH560	04204 6	5	17	600	3	1/2"-13 NC	-	4.8	6.0W	240	1400	270	60°F	16'	8'	31
IUH724	04209 1	7.5	25.6	240	1-3	1/2"-13 NC	31.3	18.1	6.0W	240	1400	270	85°F	18'	8'	27
IUH748	04212 1	7.5	25.6	480	1-3	1/2"-13 NC	15.6	9	6.0W	240	1400	270	85°F	18'	8'	31
IUH760	04214 5	7.5	25.6	600	3	1/2"-13 NC	-	7.2	6.0W	240	1400	270	85°F	18'	8'	31
IUH1024	04176 6	10	34.1	240	1-3	1/2"-13 NC	41.7	25.7	1/10 HP	240	1550	500	63°F	20'	9'	62
IUH1048	04180 3	10	34.1	480	1-3	1/2"-13 NC	21.6	12.8	1/10 HP	240	1550	500	63°F	20'	9'	72
IUH1060	04182 7	10	34.1	600	3	1/2"-13 NC	-	9.6	1/10 HP	240	1550	500	63°F	20'	9'	72
IUH1524	04184 1	15	51.2	240	1-3	1/2"-13 NC	64.1	37.7	1/10 HP	240	1550	750	63°F	28'	11'	68
IUH1548	04187 2	15	51.2	480	1-3	1/2"-13 NC	32.1	18.8	1/10 HP	240	1550	750	63°F	28'	11'	78
IUH1560	04188 9	15	51.2	600	3	1/2"-13 NC	-	14.5	1/10 HP	240	1550	750	63°F	28'	11'	80
IUH2048	04190 2	20	68.2	480	1-3	1/2"-13 NC	42.5	24.8	1/10 HP	240	1550	1000	63°F	32'	13'	78
IUH2060	04191 9	20	68.2	600	3	1/2"-13 NC	-	19.3	1/10 HP	240	1550	1000	63°F	32'	13'	80
IUH2548	04192 6	25	85.2	480	3	1/2"-13 NC	-	31.1	1/3 HP	240	1550	1300	61°F	34'	14'	136
IUH2560	04193 3	25	85.2	600	3	1/2"-13 NC	-	24	1/3 HP	240	1550	1300	61°F	34'	14'	142
IUH3048	04194 0	30	102.2	480	3	1/2"-13 NC	-	36.9	1/3 HP	240	1550	1800	53°F	38'	15'	142
IUH3060	04195 74	30	102.2	600	3	1/2"-13 NC	-	28.9	1/3 HP	240	1550	1800	53°F	38'	15'	142

# CABINET UNIT HEATERS

## CU900

### APPLICATIONS:

Attractive cabinet enclosure blends into the decorative schemes of commercial areas.

Used in offices, stores, schools, churches, hospitals, dormitories, airport terminals, reception rooms, entrance lobbies, corridors, and stairways.

### FEATURES:

Basic cabinet can be mounted on the ceiling, floor or wall.

HEATERS can be mounted on the surface, full recessed or semi-recessed.

Heater can be mounted for air discharge up or down or with the heater mounted on end the air can be discharged either left or right, to provide an air door effect.

**Cabinet** - constructed of heavy 16 gauge cold-rolled steel structurally formed to provide strength and rigidity for normal heavy wear and usage. Cabinet is finished with a polyester powder coating for excellent corrosion resistance. The finished color is neutral grey. (Decorator colors optional)

**Nineteen capacities** - 2Kw to 32Kw; five cabinet styles - 35", 45", 58", 68" and 78" lengths (26-3/8" height x 9-3/4" deep). 1/8 hp, PSC, **motors** are two-speed (1550/1450 rpm).

Motors are resilient mounted with automatic thermal overload protection. Motor fuse protection is provided on all heaters to meet UL, cUL and NEC requirements.

**Plate fin element** - steel fins are copper brazed to low watt density, steel-sheathed tubular heating elements. (80/20 NiCh resistance wire). Element is finished with aluminized paint for corrosion resistance. Fins and elements are arranged in a uniform grid pattern and fit closely into the discharge area to assure that all outgoing air passes through the heating element.

**Thermal safety cutout** - installed in direct contact with the heating element. Automatically shuts off the heater in the event of overheating due to any cause and reactivates the heater when operating temperature returns to normal.

**Optional - manual reset thermal safety cutout available.**

HEATERS over 48 amperes have subdivided (circuit breaker protected) circuits.

Circuit breakers are available as an option on heaters of less than 48 amps.

**Built-in thermostat** - single pole, snap-action thermostat with remote bulb sensor located directly in the air intake. (Optional - built-in two stage thermostat available). Easy and low cost field installation of a completely packaged heater.

**Optional - architectural styled grille** available. Standard heaters are equipped with stamped louvered grilles. As an option, the heater can be ordered with architectural styled extruded aluminum grilles for that "professional" appearance. Standard color is statuary bronze unless otherwise noted.

**24 volt control system** - all internal controls, including the thermostat, are operated from a built-in pre-wired transformer with a 24 volt secondary. (Optional - 120 volt built-in control available.)

Heaters have a tamper-resistant, two position selector switch to select full heat at high fan speed and reduced heat at low fan speed.

Optional built-in **fan auto-continuous (Summer fan) switch** provides continuous fan operation with or without heat, or automatic fan cycling as the elements cycle on and off.

**Automatic fan delay** eliminates cold drafts on start-up and discharges residual heat from the heater body during shut down.

**Silent relays**, instead of conventional contactors, eliminate the noise of contactor opening and closing.

**Optional** - low voltage, electronically controlled **outside air damper** with rear mounted duct collar or vinyl seal permits infinite adjustment of outside air from 0% to 100%. Damper closes automatically in event of power failure or if the "On / Off" switch is in the off position. Also closes when the "Open - Closed" switch on the control panel is in the closed position. (When ordered with night set back relay, damper will be factory

wired to close automatically when night set back is in effect).

**NOTE: Front inlet only - not available with bottom inlet.**

An **aluminum wall louver** option provides a finished touch to the exterior of masonry or panel walls with thickness of 2-3/4" or greater.

**Optional - inlet and discharge duct collars - UL listed** - provide easy field connection to field supplied duct work. We do not recommend exceeding 0.15" wg external static pressure.

Each CU900 heater is supplied with a throw-away air filter mounted in the inlet air stream. Optional permanent (washable) aluminum filters are available.

A **front cover interlock** is a standard safety feature that de-energizes the heater when the front cover is removed.

**Optional - dead front disconnect switch or fused dead front disconnect switch**, disconnects power to the heater. Control panel access door can not be opened until power is turned off.

Terminals are provided for BAS/EMS tie-in of dry contacts for night set back.

**Optional - built-in night set back relay** provides ability to set back heater from energy management systems that supply 24 volts to the relay for day operation.

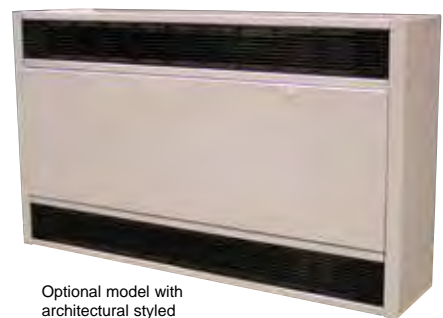
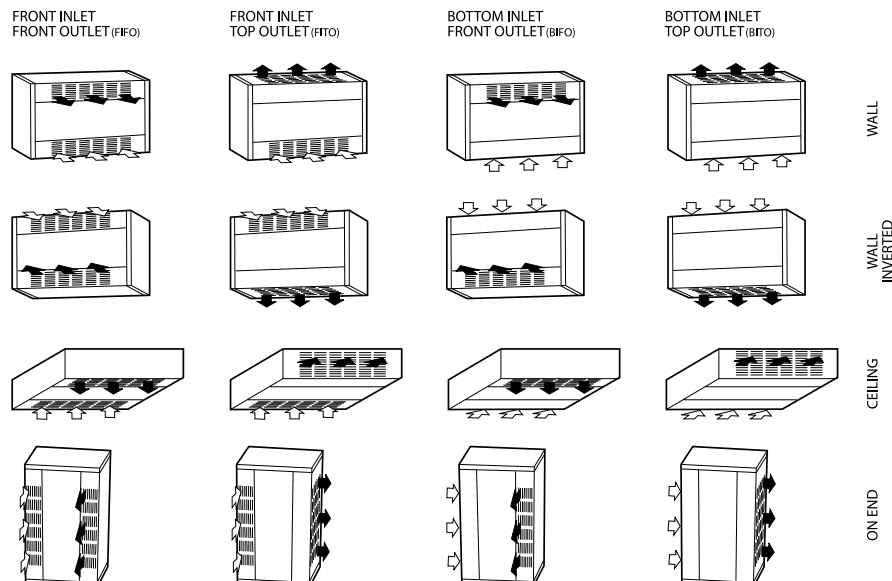
**Optional - built-in on / off switch** allows the heater to be de-energized when not in use.

An optional **trim kit** is available for a neat finish to semi-recessed or full recessed applications.

A 16 gauge optional **kick plate** in muted black, which is recessed from the heater front and sides by one inch, makes an attractive and practical off-the-floor installation.

**Optional** - inlet and/or discharge duct collars.

### MULTIPLE AIR FLOW COMBINATIONS:



Optional model with architectural styled grille shown.



## HOW TO ORDER

PRODUCT	SERIES	LENGTH	KW	VOLTS	PHASE	INLET AIR	DISCHARGE AIR	MODEL	T' STAT	CONTROL SUPPLY	CIRCUIT BREAKER	MANUAL RESET	SUMMER FAN SWITCH	DISCONNECT SWITCH	HEAT ON-OFF SWITCH	NIGHT SETBACK RELAY	FILTER	OUTSIDE AIR DAMPER	FRONT COVER KEY LOCK	DUCT COLLARS/GRILLES
C	U	9						B												

Cabinet Unit Heater

900 Series

35 = 35" Cabinet Length  
 45 = 45" Cabinet Length  
 58 = 58" Cabinet Length  
 68 = 68" Cabinet Length  
 78 = 78" Cabinet Length

See Chart (2 KW = 02, 32 KW = 32)

20 = 208 Volt Supply Power  
 24 = 240 Volt Supply Power  
 27 = 277 Volt Supply Power  
 34 = 347 Volt Supply Power  
 38 = 380 Volt Supply Power (3-Phase Only)  
 48 = 480 Volt Supply Power (3-Phase Only)  
 60 = 600 Volt Supply Power (3-Phase Only)

1 = Single Phase Supply Power  
 3 = Three Phase Supply Power

F = Front Inlet Air Configuration  
 B = Bottom Inlet Air Configuration

F = Front Discharge Air Configuration  
 T = Top Discharge Air Configuration

Series Model Number

A = Architectural Extruded Aluminum Grille  
 0 = Standard Louver Grilles  
 I = Inlet Duct Collars/Discharge Louver Grille  
 D = Inlet Louver Grille/Discharge Duct Collar  
 B = Inlet Duct Collar/Discharge Duct Collar

0 = Standard Lock  
 K = Key Lock

0 = Standard, No Outside Air Damper (must be Ø for bottom Inlet)  
 A = Motorized 100% Outside Air Damper

0 = Standard Throw-away Filter  
 P = Permanent "Washable" Filter

0 = Standard, No Night Setback Relay  
 1 = Night Setback Relay (120 Volt Holding Coil)  
 2 = Night Setback Relay (24 Volt Holding Coil)

0 = Standard, No ON - OFF Switch  
 S = ON - OFF Switch

0 = Standard, No Disconnect Switch  
 S = Disconnect Switch  
 F = Fused (Circuit Breaker) Disconnect Switch

0 = Standard, No Summer Fan Switch  
 S = Summer Fan Switch

0 = Standard, No Manual Reset  
 M = Manual Reset

0 = No Circuit Breaker(s)  
 C = Circuit Breaker(s), Required or Optional

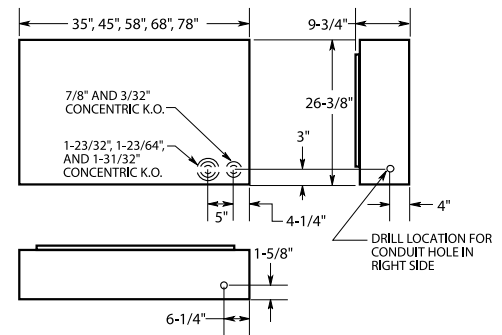
2 = Standard Internal Generated 24 Volt Control  
 1 = Internal Generated 120 Volt Control

1B = Standard Single Pole, Single Stage Built-In Thermostat  
 1R = Single Pole, Single Stage Remote (Wall Thermostat)  
 2B = Two Stage Built-In Thermostat  
 2R = Two Stage Remote (Wall Thermostat)

## ACCESSORIES (optional)

CATALOG NUMBER	DESCRIPTION	USE WITH HEATER SERIES	FUNCTION	SHIP WT. (LBS.)
CU935RTK	Ceiling or wall Recess Trim Kit	CU935	Provides a neat finish to semi-recessed or full recessed application.	3
CU945RTK		CU945		4
CU958RTK		CU958		5
CU968RTK		CU968		6
CU978RTK		CU978		7
CU935BK	Floor/Toe-Space Base Kit	CU935	16 gauge, muted black base is recessed from the heater front and sides to provide an attractive and practical floor mounting application.	9
CU945BK		CU945		10
CU958BK		CU958		11
CU968BK		CU968		13
CU978BK		CU978		15
CU935AWL	100% Outside Air, Exterior Aluminum Wall Louver	CU935	Used on exterior of masonry or panel walls of 2-3/4" or greater to provide a finished exterior For heaters 100% outside dampers.	5
CU945AWL		CU945		6
CU958AWL		CU958		7
CU968AWL		CU968		9
CU978AWL		CU978		10
CU935WF	Permanent, Reusable Washable Filter	CU935	Replaces standard filter Washable filter can be cleaned and replaced.	4
CU945WF		CU945		6
CU958WF		CU958		8
CU968WF		CU968		10
CU978WF		CU978		12

## DIMENSIONS



# CABINET UNIT HEATERS



SERIES	HEATING CAPACITY		FINAL AIR TEMP (Deg. F)	CFM*	TOTAL LINE AMPERAGE (Includes motor amps)										
	KW	BTU/HR			208 1 PH 60 HZ	208 3 PH 60 HZ	240 1 PH 60 HZ	240 3 PH 60 HZ	277 1 PH 60 HZ	347 1 PH 60 HZ	380** 3 PH 60 HZ	480 3 PH 60 HZ	600 3 PH 60 HZ		
<b>CU935</b>  <b>CABINET LENGTH 35 in. 120 LBS.</b>	2	6,826	85	250	10	6	9	6	8	7	4	3	3		
	3	10,239	98		15	9	13	8	12	9	5	4	4		
	4	13,652	111		20	12	17	10	15	12	7	6	5		
	5	17,065	123		25	15	22	13	19	15	8	7	6		
	6	20,478	136		30	17	26	15	22	18	10	8	7		
	7	23,891	148		34	20	30	18	26	21	11	9	7		
	8	27,304	161		39	23	34	20	30	24	13	10	8		
	<b>CU945</b>  <b>CABINET LENGTH 45 in. 160 LBS.</b>	4	13,652		85	500	20	12	18	11	16	13	7	6	5
6		27,478	98	30	18		26	16	23	18	10	8	7		
8		27,304	111	40	23		34	20	30	24	13	11	9		
10		34,130	123	48	29		43	25	37	30	16	13	11		
12		40,956	136	59	34		51	30	44	36	19	16	13		
14		47,782	148	68	40		59	35	52	41	22	18	15		
16		54,608	161	78	46		68	40	59	47	25	20	17		
<b>CU958</b>  <b>CABINET LENGTH 58 in. 200 LBS.</b>		6	20,478	85	750		30	18	26	16	23	18	10	8	7
	8	27,304	96	40		23	34	20	30	24	13	11	9		
	10	34,130	103	48		29	43	25	37	30	16	13	11		
	12	40,956	111	59		34	51	30	44	36	19	16	13		
	14	47,782	118	68		40	59	35	52	41	22	18	15		
	16	54,608	128	78		46	68	40	59	47	25	20	17		
	<b>CU968</b>  <b>CABINET LENGTH 68 in. 260 LBS.</b>	6	20,478	85		750	31	19	27	16	24	19	11	9	8
		9	30,717	98			45	27	39	24	34	28	16	13	11
12		40,956	111	60	35		52	31	45	36	20	16	13		
15		51,195	123	74	44		64	38	56	45	25	20	16		
18		61,434	136	88	52		77	45	67	N / A	29	24	19		
21		71,673	148	N / A	60		89	52	78	N / A	34	27	22		
24		81,912	161	N / A	69		N / A	60	N / A	N / A	38	31	25		
<b>CU978</b>  <b>CABINET LENGTH 78 in. 300 LBS.</b>		8	27,304	85	1,000		41	24	36	21	31	25	14	12	10
	12	40,956	98	60		36	52	31	46	37	20	17	14		
	16	54,608	111	79		47	69	41	60	48	27	21	18		
	20	68,260	123	N / A		58	86	50	74	N / A	33	26	21		
	24	81,912	136	N / A		69	N / A	60	N / A	N / A	39	31	25		
	28	95,564	148	N / A		80	N / A	70	N / A	N / A	45	36	29		
	32	109,216	161	N / A		91	N / A	79	N / A	N / A	N / A	41	33		

+ Based on 60 degree F inlet air temperature. \*Values shown is high speed

NUMBERS IN BLUE - CIRCUIT BREAKERS or FUSED DISCONNECT REQUIRED \*\*380 volt units will operate with a 16% reduction in heating capacity

PRICE ADDERS FOR OPTIONAL FACTORY INSTALLED ACCESSORIES		
SERIES		FUNCTION
<b>2 STAGE THERMOSTAT Built-or Remote</b>	Standard	Built-in (or remote mounted) single pole, single stage thermostat that cycles the element(s) and fan. Fan speed and element wattage selected by the built- HIGH or LOW selector switch.
	Optional	Built-in (or remote mounted) two stage thermostat that the elements for 2/3 heat for stage one and full heat for second stage. Fan cycles on high speed only.
<b>120 VOLT CONTROL Internally Generated</b>	Standard	Control supply is internally generated 24 volts. Field supplied 24 volt control supply can be applied to heater. (Requires removing only one jumper wire in the control panel).
	Optional	120 volt internally generated control voltage is available. Field supplied 120 volt control supply can be applied to heater. (Requires removing only one jumper wire in the control panel.)
<b>MANUAL RESET</b>	Standard	Heater is supplied with auto-reset over temperature cutout.
	Optional	Manual Reset over temperature cutout wired into control circuit. Supplied in addition to auto-reset cutout.
<b>DEAD FRONT DISCONNECT SWITCH</b>	Standard	Supply terminal block in the control compartment.
	Optional	A three pole non-fused disconnect switch disconnects power to the heater. Design prevents entry into the control compartment until disconnect switch is turned to the OFF position.
<b>DEAD FRONT FUSED DISCONNECT SWITCH</b>	Standard	Supply terminal block in the control compartment.
	Optional	A three pole non-fused disconnect switch and circuit breaker(s) sized to the heater load protects heater and disconnects power to the heater. Design prevents entry into the control compartment until disconnect switch is turned to the OFF position.
<b>SUMMER FAN SWITCH</b>	Standard	Fan cycles as the heat cycles on and off.
	Optional	Built-in switch provides continuous fan operation with or without heat, or automatic fan cycling as the heat cycles on and off.

# CABINET UNIT HEATERS

PRICE ADDERS FOR OPTIONAL FACTORY INSTALLED ACCESSORIES (CONT.)		
SERIES		FUNCTION
ON / OFF SWITCH	Standard	No switch supplied.
	Optional	Built-in switch provides continuous fan operation with or without heat, or automatic fan cycling as the heat cycles on and off.
KEY LOCK FOR FRONT COVER*	Standard	Two (2) slotted head spring latches.
	Optional	Two (2) toolhead key lock style spring latches prevent unauthorized adjustment of controls and provide additional safety from injury due to contact with internal components.
NIGHT SET-BACK RELAY 24 or 120 Volt	Standard	Heater will not set back at night.
	Optional	Provides ability to set-back heater from energy management system that supplies (Specify - 24 volts or 120 volts) to the relay holding coil for day operation.
OPTION		FUNCTION
MOTORIZED 100% OUTSIDE AIR DAMPER	Standard	Return air only.
	Optional	Optional – 24 volt electronically controlled damper with rear mounted duct collar permits outside air to enter the chamber at 100%. If power is interrupted at the heater the outside damper remains in the "OPEN or CLOSED" position from the last switch setting. Damper fully opens in less than 2 minutes when selector switch is in the "OPEN" DAMPER* position. (Available only with heaters having 24 volt control supply. Cannot be used with 120 volt control supply or with bottom inlet configuration)
INLET OR DISCHARGE DUCT COLLAR(S)	Standard	Slotted louver grilles.
	Optional	Collars provide easy connection of field supplied duct work. We do not recommend exceeding 0.2"wg external static pressure. Heater with duct collars are supplied with a single speed high static motor.
ARCHITECTURAL EXTRUDED ALUMINUM GRILLES*	Standard	Slotted louver grilles.
	Optional	Architectural styled extruded aluminum grille to enhance the appearance of the cabinet unit heater. This option is only available for both inlet and discharge openings ordered at the same time. Can not be ordered separately.

† Plus price of circuit breaker. \* Allow 4 to 6 weeks for shipment with these options.

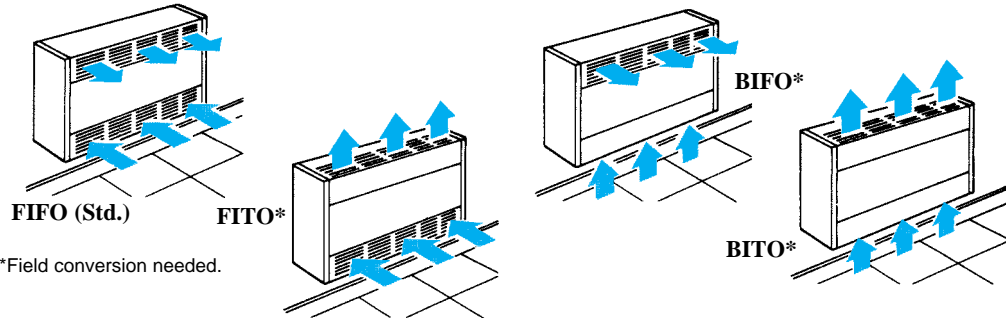
## STOCK CABINET UNIT HEATERS - CUS900

### APPLICATIONS:

Used in offices, stores, schools, churches, hospitals, dormitories, airport terminals, reception rooms, entrance lobbies, corridors and stairways.

### FEATURES:

- Neutral grey finish standard.
- Terminals for direct connection to BAS or EMS.
- High/low heat setting.
- Balanced three phase.
- Two cabinet sizes.
- Includes built in disconnect switch.



\*Field conversion needed.

**IN STOCK**  
Available for Immediate Shipment

Field Convertible to Single Phase - Factory supplied three phase, field convertible to single phase in 208 and 240 volt, from 480 volt three phase to 277 volt single phase and from 600 volt three phase to 347 volt single phase.

CATALOG NUMBER	UPC NUMBER	KW		CFM		DIM	MOTOR	FANS	WT. (LBS.)	VOLTS/PH.	AMPS			
		HI	LO	HI	LO									
<b>NON-FIELD CONVERTIBLE MODELS</b>														
CUS93505271FFNC	6 85360 16511 0	5	3.3	250	200	35" W x 26-3/8" H x 9-7/8" D	1	1	120	277V/1Ø	18.0			
CUS93505483FFNC	6 85360 16513 4									480V/3Ø	6.0			
CUS94510271FFNC	6 85360 16515 8	10	6.7	500	400					1	2	160	277V/1Ø	36.0
CUS94510483FFNC	6 85360 16517 2												480V/3Ø	12.0
<b>CONVERTIBLE MODELS</b>														
CUS93505203FF	6 85360 01791 4	5	3.3	250	200	45" W x 26-3/8" H x 9-7/8" D	1	2	120				208V/3Ø	14.0
CUS93505243FF	6 85360 01792 1									240V/3Ø	12.0			
CUS93505483FF	6 85360 01793 8									480V/3Ø	6.0			
CUS93505603FF	6 85360 01794 5									600V/3Ø	4.8			
CUS94510203FF	6 85360 01795 2	10	6.7	500	400				1	2	160	208V/3Ø	34.0	
CUS94510243FF	6 85360 01796 9											240V/3Ø	15.0	
CUS94510483FF	6 85360 01797 6											480V/3Ø	12.0	
CUS94510603FF	6 85360 01798 3											600V/3Ø	9.0	

\* Factory supplied 208 or 240 Volt, 3 Ph. field convertible to 1 ph., 480 volt 3 Ph. convertible to 277 Volt 1 ph., 600 Volt 3 Ph convertible to 347 Volt 1 Ph. \*\* Amps shown are 3 Ph., High heat operation.

# COMPACT FREEZE PROTECTION

## CHPR25

### Concealed Space Use Zero Clearance Plenum Rated



**APPLICATIONS:**

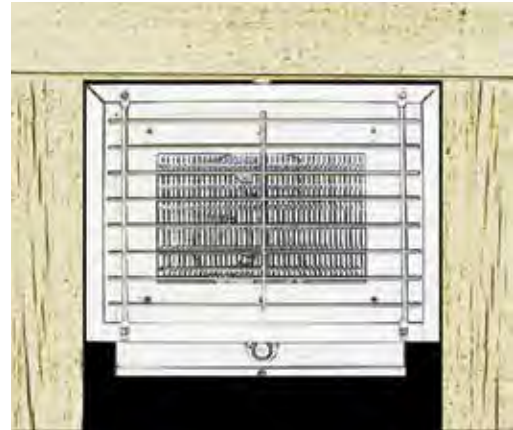
Model CHPR25 is a unique application heater approved for installation in a concealed space, an area between a finished ceiling and drop ceiling, a plenum space, or inside a plenum. It may be installed in areas that are not readily accessible and may be installed for freeze protection.

**FEATURES:**

- 18 ga. all steel casing with neutral grey polyester powder coat finish for corrosion protection.
- Easy to install using the hanging bracket supplied.
- Steel finned low watt density element. Fins and elements are arranged in a uniform grid pattern to assure that all incoming air passes through the heating element.
- High limit thermal cutout automatically shuts off current in the event of overheating and reactivates the heater when temperature returns to normal.
- Fan delay control.
- Optional alarm (240V) to alert automatic thermal limit tripped. Model AFL240
- Built-in, heavy duty, contactor/relay.
- Control Box gasketed to keep out moisture and dust. NEMA 12 construction.
- Fan motor is totally enclosed, permanently lubricated and thermally protected.
- Great air throw.
- Single Point field wiring connection.
- Weight: 26 lbs.
- Dimensions: 12" H x 14" W x 14" L

**OPTIONAL ACCESSORIES**

CATALOG NUMBER	UPC	DESCRIPTION	WT. (LBS.)
AFL240	6 8536015347 6	Thermal limit alarm	1



CATALOG NUMBER	UPC NUMBER	VOLTS	HZ	KW	PHASE	BTUH	CFM.	FPM	RISE	SHIP AMPS	WT. (LBS.)
CHPR25	6 85360 14954 7	240	50/60	2.5	1	8530	150	1880	60°F	10.7	26
		208	50/60	1.9		6398	130		46°F	9.42	

(Thermostat temperature range: 40°F to 90°F with positive off).





# PLENUM RATED UNIT HEATER

## MSPH

### Concealed Space Use - Zero Clearance



#### MODEL DESCRIPTION:

The Qmark MSPH Plenum Rated heater is ETL design certified for plenum and concealed space applications. Applications include high rise buildings, concession stands, school bathrooms, lobbies and foyers, and to pre-heat outside air. This plenum heater is rated for zero clearance to any surfaces, including combustibles (wood trusses, wood framing), mounted next to the sides, top and bottom of metal cabinet.

#### FEATURES:

- Compact size, zero clearance, design for horizontal installation.
- Versatile full featured design with easy serviceability.
- Rugged powder coated steel construction.

- Fan only option.
- Timed blower on / off delay.
- Designed for horizontal installation.
- External 24 volt thermostat control (not included).
- High limit thermal cutout - Automatic reset.
- Pre-notched duct collar.
- PSC type 2-speed motor (ex. 480V models).
- 2 Stage heat is available on some 10kw and 15kw models.
- Multiple heat rise selection.
- 20 gauge all powder coated steel construction.
- Acoustic fiberglass insulation.
- Built-in disconnect switch.
- Single point power connection.
- Heavy duty steel finned heating element.
- Quiet, efficient, forward curved centrifugal blower.

CATALOG NUMBER	UPC NUMBER	PHASE	KW	VOLTS	AMP*	LOW SPEED*		HIGH SPEED**		SHIP WT. (LBS.)	H x W x L
						CFM	RISE	CFM	RISE		
MSPH138124 MSPH132124 MSPH137124	6 85360 14994 3 6 85360 15010 9 6 85360 15016 1	1	3	208 240 277	15.32 13.4 11.63	350	27°F	400	24°F	57	12.5" x 19.5" x 24"
MSPH138324 MSPH132324 MSPH134324	6 85360 14996 7 6 85360 15012 3 6 85360 15014 7	3	3	208 240 480	9.23 8.12 4.11						
MSPH158124 MSPH152124 MSPH157124	6 85360 15006 2 6 85360 14998 1 6 85360 15004 8	1	5	208 240 277	24.94 21.73 18.85						
MSPH158324 MSPH152324 MSPH154324	6 85360 15008 6 6 85360 15000 0 6 85360 15002 4	3	5	208 240 480	14.78 12.93 6.51	350	45°F	400	39°F	57	12.5" x 19.5" x 24"
MSPH158124L MSPH152124L MSPH157124L	6 85360 15104 5 6 85360 15096 3 6 85360 15102 1	1	5	208 240 277	24.94 21.73 18.85						
MSPH158324L MSPH152324L MSPH154324L	6 85360 15106 9 6 85360 15098 7 6 85360 15100 7	3	5	208 240 480	14.78 12.93 6.51						
MSPH1758124 MSPH1752124 MSPH1757124	6 85360 15026 0 6 85360 15018 5 6 85360 15024 6	1	7.5	208 240 277	38.12 33.31 28.91	850	20°F	1000	16°F	69	18" x 18" x 35.5"
MSPH1758324 MSPH1752324 MSPH1754324	6 85360 15028 4 6 85360 15020 8 6 85360 15022 2	3	7.5	208 240 480	22.88 20.1 10.16						
MSPH1102124 MSPH1107124	6 85360 15030 7 6 85360 15036 9	1	10	240 277	43.73 37.93						
MSPH2102124 MSPH2107124	6 85360 15108 3 6 85360 15114 4	1	10	240 277	43.73 37.93	850	37° / 20°F	1000	31° / 16°F	69	18" x 18" x 35.5"
MSPH1108324 MSPH1102324 MSPH1104324	6 85360 15038 3 6 85360 15032 1 6 85360 15034 5	3	10	208 240 480	29.82 26.12 13.17						
MSPH2108324 MSPH2102324 MSPH2104324	6 85360 15116 8 6 85360 15110 6 6 85360 15112 0		10	208 240 480	29.82 26.12 13.17						
MSPH1158324 MSPH1152324 MSPH1154324	6 85360 15044 4 6 85360 15040 6 6 85360 15042 0	3	15	208 240 480	43.9 38.14 19.18	850	56°F	1000	47°F	69	18" x 18" x 35.5"
MSPH2152324 MSPH2154324	6 85360 15118 2 6 85360 15120 5	3	15	240 480	38.14 19.18						

\*Total Amps including Resistive and Inductive loads. \*\*Low and High speed fan operation is determined during installation of thermostat set up † Tested @0.2" S.P.  
\*\* Low speed fan operation not available on 480V models.

CATALOG NUMBER	DESCRIPTION	OPENING	DIMENSIONS (W x H x D)	WT. (LBS.)
FRST10	Throw away filter, including rack for 3 & 5KW unit.	Inlet side	15" X 20" X 4.5"	4
FRWS15	Reusable filter, including rack for 3 & 5KW unit.	Inlet side	15" X 20" X 4.5"	4
FRLT20	Throw away filter, including rack for 7.5 to 15KW unit.	Inlet side	15" X 20" X 4.5"	5
FRWL25	Reusable filter, including rack for 7.5 to 15KW unit.	Inlet side	15" X 20" X 4.5"	5
LKS10	Adjustable louver kit for 3 & 5KW units	Outlet side	15" X 20" X 4.5"	5.5
LKL15	Adjustable louver kit for 7.5 to 15KW units	Outlet side	15" X 20" X 4.5"	6
AES10	Aluminum Wall Louver kit for inside heated room for 3 & 5KW units	Inside room	Rough in: 13-11/16" X 13-3/4"	3
AESL15	Aluminum Wall Louver kit for inside heated room for 7.5 to 15KW units	Inside room	Rough in: 15-3/4" X 15-3/4"	3.5
TH5220D1003	Electronic Digital 2-Stage 24 volt Thermostat	Inside room	5 3/4" x 3-3/4" x 1-1/2"	4
PRHT1	Single Pole Field installed thermostat. Range 40 to 85 deg F	At heater location	25A @ 240V resistive; 22A @ 277V	3

# FINNED TUBE ELECTRIC DUCT HEATERS

## APPLICATIONS:

Qmark Electric Finned Tube Duct Heaters are custom engineered to customer specifications. They are available CSA and UL listed in Slip-in or Flanged configurations with heavy gauge galvanized steel frame and terminal box construction.

All units include primary and secondary thermal protection and are designed for use with vertical or horizontal airflow in either direction.

Finned elements are constructed using only the highest Grade-A 80/20 nickel-chromium resistance wire, helically wound and centered within a sheath of either copper plated or stainless steel, compacted with magnesium oxide to assure excellent heat transfer and double sealed.

Applications Include: Office buildings, Institutions, Retail stores, Primary heat in air handling units, Auxiliary heat for heat pumps, and much more.



## FEATURES:

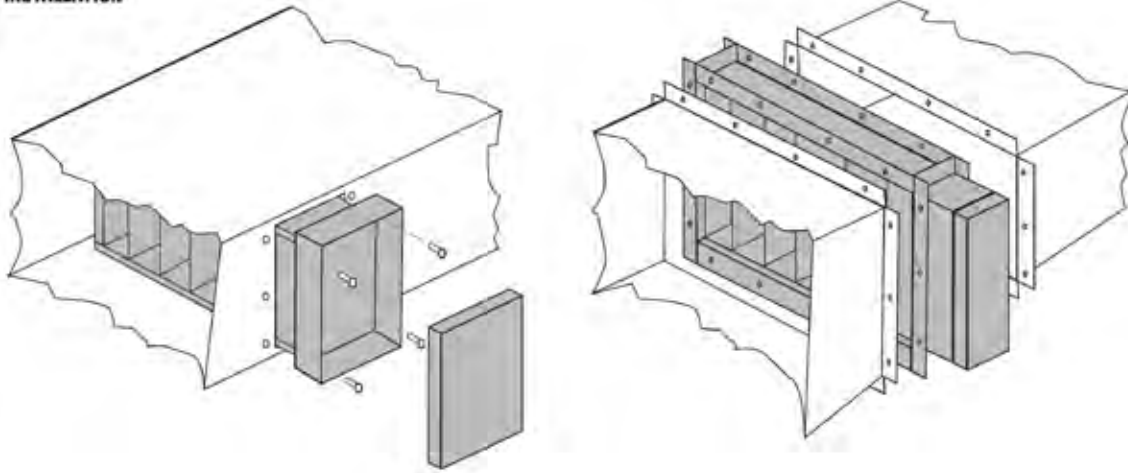
- Custom Engineered.
- Heat Output Up to 1000 kW.
- 0.2 Inch Fin Spacing.
- Variety of Construction Styles and Options.
- Numerous Control Options.



## RATING AND SIZES:

You specify it—we build it! Heaters described in this bulletin are custom designed at no extra charge to your exact size, wattage, voltage, phase and number of steps. Any duct size from W = 8" and H = 8" minimum to W = 96" and H = 96" maximum, wattages up to 1000 kW can be furnished. Base price depends upon duct size and kW rating; base price is the same for single or three phase and does not change with number of steps. For practical design of heater, minimum recommended kW per step is .5 kW for 208V, 240V single phase; 1.0 kW for 277V or 480V single phase and 2.0 kW for 208V, 240V, 480V or 600V three phase.

## INSTALLATION



### SLIP-IN HEATER (STANDARD)

Standard and by far the most widely used because of the ease of installation. When built-in controls are specified in a slip-in heater, they are usually mounted in the left-hand overhang. If right-hand overhang is desired, specify S dimension to be 1", T dimension as required.

### INSTALLATION

- Step 1. Cut hole in side of duct 1/8" larger than heater body.
- Step 2. Insert heater until terminal box covers opening.
- Step 3. Secure heater in place with sheet metal screws.

### FLANGED HEATER (OPTIONAL)

Consists of a slip-in heater mounted in a flanged duct section. The slip-in portion slides out without removing flanges from duct. When built-in controls are specified in a flanged heater, they are mounted in the terminal box of the slip-in portion; the frame containing the elements stays the same. The flanged duct section is increased in depth to accommodate the larger terminal box.

### INSTALLATION

- Step 1. Provide flanges on ends of duct matching heater flanges.
- Step 2. Secure heater flanges to duct flanges with sheet metal screws, so that mounting screws do not enter terminal box.

# OPEN COIL ELECTRIC DUCT HEATERS

## APPLICATIONS:

Qmark Open Coil Electric Duct Heaters are custom engineered to customer specification and built to order. They are available CSA and UL listed in Slip-in or Flanged configurations with heavy gauge galvanized steel frame and terminal box construction. There are also NEMA 12 and NEMA 4 models available. Units include primary and secondary thermal protection and are designed for use with vertical up or horizontal airflow in either direction. Alternate constructions are available for oven heaters, round duct, bottom insert and rain tight installations. Elements are constructed using only the highest Grade-A 80/20 nickel-chromium resistance wire with stainless steel terminals. Other optional construction features include recessed, dust tight or insulated terminal box, insulated flanges and protective screens.

A wide assortment of built-in control options are available. Exact, not typical, wiring diagrams are provided with each heater.

Applications Include: Office buildings, Institutions, Retail stores, Primary heat in air handling units, Auxiliary heat for heat pumps, and much more.

## FEATURES:

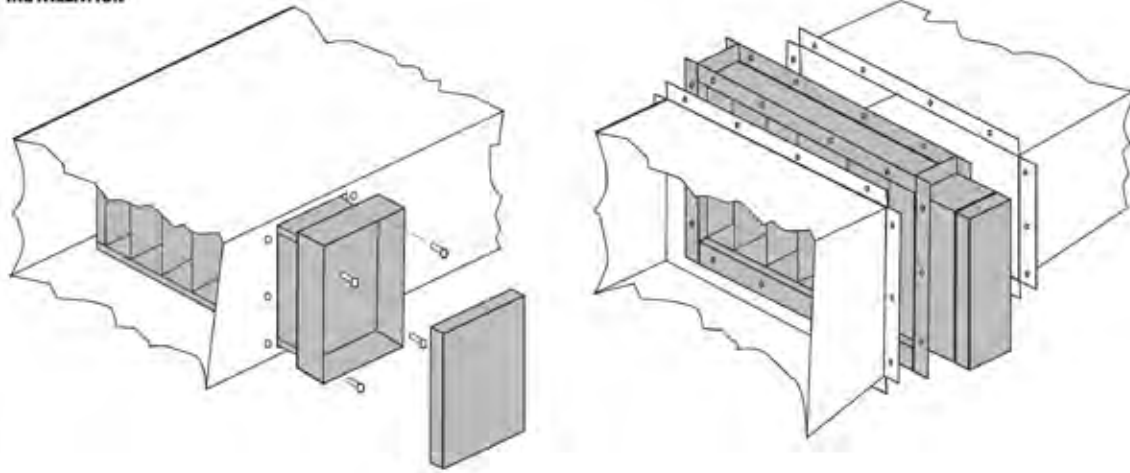
- Custom Engineered.
- Heat Output Up to 1000 kW.
- Grade-A 80/20 Resistance Wire.
- Variety of Construction Styles and Options.
- Numerous Control Options.



## RATING AND SIZES:

You specify it—we build it! Heaters described in this bulletin are custom designed at no extra charge to your exact size, wattage, voltage, phase and number of steps. Any duct size from W = 6" and H = 6" minimum to W = 144" and H = 96" maximum, wattages up to 1000 kW can be furnished. Base price depends upon duct size and kW rating; base price is the same for single or three phase and does not change with number of steps. For practical design of heater, minimum recommended kW per step is .5 kW for 208V, 240V single phase; 1.0 kW for 277V or 480V single phase and 2.0 kW for 208V, 240V, 480V or 600V three phase.

## INSTALLATION



### SLIP-IN HEATER (STANDARD)

Standard and by far the most widely used because of the ease of installation. When built-in controls are specified in a slip-in heater, they are usually mounted in the left-hand overhang. If right-hand overhang is desired, specify S dimension to be 1", T dimension as required.

#### INSTALLATION

- Step 1. Cut hole in side of duct 1/8" larger than heater body.
- Step 2. Insert heater until terminal box covers opening.
- Step 3. Secure heater in place with sheet metal screws.

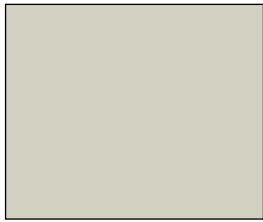
### FLANGED HEATER (OPTIONAL)

Consists of a slip-in heater mounted in a flanged duct section. The slip-in portion slides out without removing flanges from duct. When built-in controls are specified in a flanged heater, they are mounted in the terminal box of the slip-in portion; the frame containing the elements stays the same. The flanged duct section is increased in depth to accommodate the larger terminal box.

#### INSTALLATION

- Step 1 Provide flanges on ends of duct matching heater flanges.
- Step 2. Secure heater flanges to duct flanges with sheet metal screws, so that mounting screws do not enter terminal box.

STANDARD PAINTED COLORS



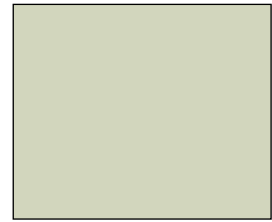
Navajo White



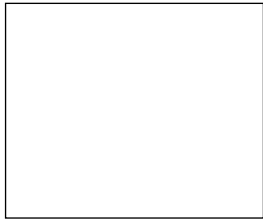
Charcoal Grey



Statuary Bronze



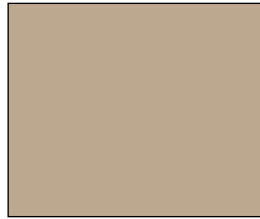
Neutral Grey



Northern White



Aluminum



Desert Tan



Gloss Black

**OPTIONAL PAINTED COLORS** - Custom colors, in powder coat finishes, are available at additional cost. Please contact your local Qmark® sales representative.

Clear and Bronze Anodized finishes are available for Type ASL3/ASL5 convectors only.

NOTE: All colors are approximate - as nearly correct as can be produced by modern printing. See below for Paint Policy.

**PAINT POLICY**

All Stock Products:

<b>Cabinet Unit Heater:</b>	CU
<b>Radiant Ceiling Panels</b>	CP
<b>Sill Height Convector &amp; Accessories:</b>	CSH, DSH, DBA/SHA, ST, DBSL AND SLQDB
<b>Pedestal Convector &amp; Accessories:</b>	CPH, DPH

**Primer:** For applications that require a primer coat a "Neutral Grey powder coat will be provided as standard color. Consult factory for more detailed information if needed.

For **Custom Colors** there is a set up charge per order per custom color. See latest pricebook for setup charge.

To minimize the possibility of error when ordering material painted a custom color, a color chip of the custom color must be included with the order.

The chip must be a minimum 3" x 5" and be of the same material as the enclosure of the ordered heater (ie, Steel or Aluminum).

**Custom Engineered Convectors**

- Sill Height and Pedestal Convectors custom engineered for continuous (wall to wall) enclosure with shorter element length.
- Special angled inside and outside corners with angles between 45 and 180 degrees (Aluminum convectors DBA/SHA).
- Blank section custom fabricated to any 1/4-inch dimension between 9 and 120 inches.
- Consult factory representative for special engineering charges and delivery information.



# EXPLOSION PROOF UNIT HEATERS

## GUX

### APPLICATIONS

Explosion proof unit heaters are designed to heat areas classified as hazardous locations designated as Class I, Group C & D Division 1 & 2 or Class II, Groups E, F, and G with a T3B ignition temperature code rating (329°F, 165°C) or higher to provide primary or supplementary heating for comfort or freeze protection. Typical applications involve oil refineries, sewage treatment plants, petrochemical plants, oil rigs, unattended pumping stations, chemical storage and handling facilities, paint storage areas, and countless other hazardous areas covered by these classifications.

### FEATURES

**CONTROLS** — Prewired, self-contained control center. Standard controls include automatic reset thermal limit, a magnetic contactor, and 24 volt control circuit transformer.

**HEAT EXCHANGER** — Advanced design allows lower operating temperatures from the liquid to air heat exchanger with steel tubes, aluminum fins, a non-toxic heat transfer fluid, and a pressure relief plug.

**OPTIONAL CONTROLS** — Factory built-in thermostat, disconnect switch, fan selector switch, 120V control circuit, and pilot light.

**HIGH LIMIT CUTOUTS**— An automatic reset high limit cutout unit is standard. (An additional manual reset high limit cutout is available as an option.)

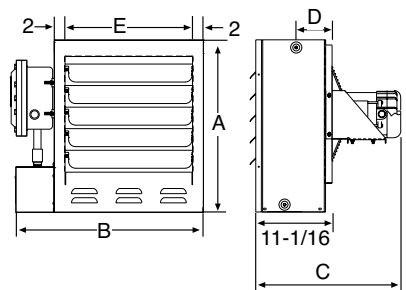
**FAN & MOTOR** — Ball bearing permanently lubricated explosion proof motor has built-in thermal overload protection.

**CABINET** — Powder coated heavy gauge steel cabinet surrounding a 14 gauge heavy-duty steel frame which supports internal components.

CATALOG NUMBER	HEATER VOLTS	WATTS (KW)	PHASE	CONTROL VOLTS*	OUTPUT BTU/HR.	TOTAL AMPS**	VOLUME CFM	AIR TEMP RISE	THROW	WT. (LBS.)	SHIP STATUS
GUX300812	208	3	1	24	10,236	16.7	700	13°F	28 ft.	135	AS
GUX300832	208	3	3	24	10,236	9.7	700	13°F	28 ft.	135	AS
GUX300412	240	3	1	24	10,236	14.8	700	13°F	28 ft.	135	C
GUX300432	240	3	3	24	10,236	8.6	700	13°F	28 ft.	135	C
GUX3004832	480	3	3	24	10,236	4.3	700	13°F	28 ft.	135	C
GUX300632	600	3	3	24	10,236	3.6	700	13°F	28 ft.	135	C
GUX500812	208	5	1	24	17,060	26.3	700	22°F	28 ft.	135	C
GUX500832	208	5	3	24	17,060	15.3	700	22°F	28 ft.	135	C
GUX500412	240	5	1	24	17,060	23.1	700	22°F	28 ft.	135	AS
GUX500432	240	5	3	24	17,060	13.5	700	22°F	28 ft.	135	C
GUX5004832	480	5	3	24	17,060	6.8	700	22°F	28 ft.	135	S
GUX500632	600	5	3	24	17,060	5.6	700	22°F	28 ft.	135	C
GUX750812	208	7.5	1	24	25,590	38.4	840	27°F	28 ft.	135	C
GUX750832	208	7.5	3	24	25,590	22.2	840	27°F	28 ft.	135	C
GUX750412	240	7.5	1	24	25,590	33.6	840	27°F	28 ft.	135	AS
GUX750432	240	7.5	3	24	25,590	19.4	840	27°F	28 ft.	135	C
GUX7504832	480	7.5	3	24	25,590	9.7	840	27°F	28 ft.	135	S
GUX750632	600	7.5	3	24	25,590	8.1	840	27°F	28 ft.	135	C
GUX1000832	208	10	3	24	34,120	29.2	840	36°F	32 ft.	140	C
GUX1000412	240	10	1	24	34,120	44.5	840	36°F	32 ft.	140	C
GUX1000432	240	10	3	24	34,120	25.5	840	36°F	32 ft.	140	C
GUX10004832	480	10	3	24	34,120	12.7	840	36°F	32 ft.	140	S
GUX1000632	600	10	3	24	34,120	10.6	840	36°F	32 ft.	140	C
GUX1500832	208	15	3	24	51,180	43	1450	31°F	47 ft.	160	AS
GUX1500432	240	15	3	24	51,180	37.5	1450	31°F	47 ft.	160	C
GUX15004832	480	15	3	24	51,180	18.7	1450	31°F	47 ft.	160	S
GUX1500632	600	15	3	24	51,180	15.7	1450	31°F	47 ft.	160	C
GUX20004832	480	20	3	24	68,240	24.8	1400	43°F	43 ft.	171	S
GUX2000632	600	20	3	24	68,240	20.7	1400	43°F	43 ft.	171	C
GUX25004832	480	25	3	24	85,300	31.1	2330	32°F	54 ft.	216	AS
GUX2500632	600	25	3	24	85,300	25.8	2330	32°F	54 ft.	216	C
GUX30004832	480	30	3	24	102,360	37.1	2330	39°F	54 ft.	216	AS
GUX3000632	600	30	3	24	102,360	30.2	2330	39°F	54 ft.	216	C

\*Note: Above models have built-in 24 volt control. Optional 120 volt control is available. Replace the "2" suffix with "1" for 120 volt control.

\*\* Includes element, motor, and transformer.



### ACCESSORIES

CATALOG NUMBER	UPC	DESCRIPTION
GUXPM12	6 85360 03379 2	Pole Mounting Bracket for units 3KW thru 10KW
GUXPM16	6 85360 03380 8	Pole Mounting Bracket for units 15KW thru 20KW
GUXPM18	6 85360 03381 5	Pole Mounting Bracket for units 25KW thru 30KW
GUXWM12	6 85360 03382 2	Wall Mounting Kit for units 3KW thru 10KW
GUXWM16	6 85360 03383 9	Wall Mounting Kit for units 15KW thru 20KW
GUXWM18	6 85360 03384 6	Wall Mounting Kit for units 25KW thru 30KW
GUXCM0	6 85360 03378 5	Ceiling/Hang Mounting Kit for all Models

Specify type of mounting bracket required at time of order entry.

### DIMENSIONS

UNIT SIZE	A		B		C		D		E	
	IN.	MM	IN.	MM	IN.	MM	IN.	MM	IN.	MM
3-10kW	19-1/8	486	23-7/8	606	21	533	3-1/5	89	13-5/8	346
15-20kW	25	635	27-7/8	708	21	533	4-13/32	112	17-5/8	448
25-30kW	32-1/8	816	31-7/8	810	21-3/4	552	5-1/2	140	21-5/8	549

### NOTE:

All units with status "C" or "AS" are made-to-order and are non-returnable.

### DIMENSIONS

STUFFIX	DESCRIPTION
AM	Automatic and Manual reset limits
T	Thermostat, 50°-90°F
L	Pilot Light (HEATER ON)
K	Pilot Light (LIMIT TRIPPED)
S	Selector Switch (AUTO/FAN ONLY)
D	Disconnect Switch - 15 amp
1*	Disconnect Switch - 30 amp
	Disconnect Switch - 60 amp
E	120 Volt Control Transformer
E	Artic Construction

\* - Change heater suffix "2" to "1" for this option

# WASHDOWN CORROSION RESISTANT UNIT HEATERS

## QWD



### APPLICATIONS:

QWD Series unit heater is designed for comfort heating or freeze protection in non-hazardous dusty/dirty environments including: waste water treatment plants, coal handling areas, food processing plants, foundries, steel mills, cement plants, car washes, swimming pool areas, canneries and dairies.

QWD Series washdown heater is a reliable, rugged, self-contained, U.L. and CSA listed, corrosion resistant unit heater. This unit offers both corrosion protection in harsh environments and the ability to be hosed down for cleaning. Users are therefore assured of an ideal heat source for freeze protection or comfort heat in non-hazardous, dirty and corrosive areas such as waste water treatment plants, ships, factories, and construction sites.

### FEATURES:

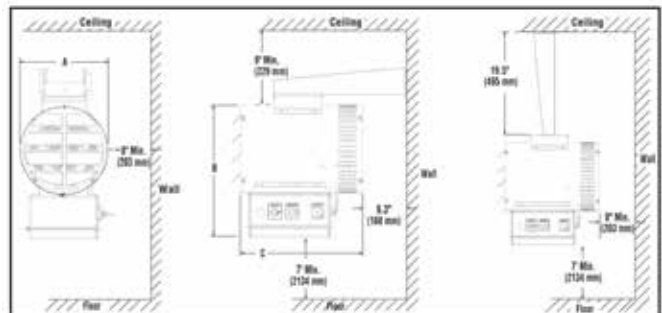
- All components are designed to be moisture and corrosion resistant.
- A sturdy Type 304 stainless steel case surrounds industrial grade 316 stainless steel finned tubular elements.
- The motor is a totally enclosed, permanently lubricated, ball bearing type which is epoxy painted for moisture and corrosion resistance.
- The junction box which houses the built-in controls and element terminals is rated NEMA 4X.
- Dependable air flow comes from a spark resistant, epoxy coated aluminum fan.
- Power contactor, motor contactor, epoxy sealed automatic over-temperature cutout, internal thermostat (55°F - 105°F), pilot light to indicate when unit is in operation mode, selector switch (heater on/off, fan only) and 24volt control are standard.
- Stainless steel universal type swivel mounting bracket supplied with heater.
- Fan delay on all Models 5Kw or larger.
- Wall thermostat (WT11 NEMA 4X rating) See page 85. (Remove T from Catalog No.)

CATALOG NUMBER	HEATER KW	VOLTS	MOTOR PHASE	OUTPUT BTU/HR	HEATER AMPS	MOTOR VOLTS	MOTOR PHASE	MOTOR AMPS	TEMP RISE	CFM	SHIP WT. (LBS.)
QWD02112	2	120	1	6,824	16.7	120	1	1.554	9	700	60 (27.2)
QWD02812	2	208	1	6,824	9.6	208	1	0.896	9	700	60 (27.2)
QWD02212	2	240	1	6,824	8.3	240	1	0.777	9	700	60 (27.2)
QWD03112	3	120	1	10,236	25.0	120	1	1.554	14	700	60 (27.2)
QWD03812	3	208	1	10,236	14.4	208	1	0.896	14	700	60 (27.2)
QWD03212	3	240	1	10,236	12.5	240	1	0.777	14	700	60 (27.2)
QWD03712	3	277	1	10,236	10.8	277	1	0.673	14	700	60 (27.2)
QWD03832	3	208	3	10,236	8.3	208	1	0.896	14	700	60 (27.2)
QWD03232	3	240	3	10,236	7.2	240	1	0.777	14	700	60 (27.2)
QWD03432	3	480	3	10,236	3.6	480	1	0.388	14	700	60 (27.2)
QWD05812	5	208	1	17,060	24.0	208	1	0.896	23	700	60 (27.2)
QWD05212	5	240	1	17,060	20.8	240	1	0.777	23	700	60 (27.2)
QWD05712	5	277	1	17,060	18.1	277	1	0.673	23	700	60 (27.2)
QWD05412	5	480	1	17,060	10.4	480	1	0.388	23	700	60 (27.2)
QWD05832	5	208	3	17,060	13.9	208	1	0.896	23	700	60 (27.2)
QWD05232	5	240	3	17,060	12.0	240	1	0.777	23	700	60 (27.2)
QWD05432	5	480	3	17,060	6.0	480	1	0.388	23	700	60 (27.2)
QWD05632	5	600	3	17,060	7.2	240	1	1.8	23	1450	75 (34)
QWD07812	7.5	208	1	25,590	36.1	208	1	0.896	34	700	60 (27.2)
QWD07212	7.5	240	1	25,590	31.3	240	1	0.777	34	700	60 (27.2)
QWD07712	7.5	277	1	25,590	27.1	277	1	0.673	34	700	60 (27.2)
QWD07412	7.5	480	1	25,590	15.6	480	1	0.388	34	700	60 (27.2)
QWD07832	7.5	208	3	25,590	20.8	208	1	0.896	34	700	60 (27.2)
QWD07232	7.5	240	3	25,590	18.0	240	1	0.777	34	700	60 (27.2)
QWD07432	7.5	480	3	25,590	9.0	480	1	0.388	34	700	60 (27.2)
QWD07632	7.5	600	3	25,590	7.2	240	1	1.8	34	1450	75 (34)
QWD10212	10	240	1	34,120	41.7	240	1	0.777	22	1450	60 (27.2)
QWD10712	10	277	1	34,120	36.1	277	1	0.673	22	1450	60 (27.2)
QWD10412	10	480	1	34,120	20.8	480	1	0.388	22	1450	60 (27.2)
QWD10832	10	208	3	34,120	27.8	208	1	0.896	22	1450	60 (27.2)
QWD10232	10	240	3	34,120	24.1	240	1	0.777	22	1450	60 (27.2)
QWD10432	10	480	3	34,120	12.0	480	1	0.388	22	1450	60 (27.2)
QWD10632	10	600	3	34,120	9.6	240	1	1.8	33	2400	75 (34)
QWD12812	12.5	208	1	42,650	60.1	208	1	1.793	27	1450	60 (27.2)
QWD12212	12.5	240	1	42,650	52.1	240	1	1.554	27	1450	60 (27.2)
QWD12832	12.5	208	3	42,650	34.7	208	1	1.793	27	1450	60 (27.2)
QWD12232	12.5	240	3	42,650	30.1	240	1	1.554	27	1450	60 (27.2)
QWD12432	12.5	480	3	42,650	15.0	480	1	0.777	27	1450	60 (27.2)
QWD12632	12.5	600	3	42,650	12.0	240	1	1.8	27	2400	75 (34)
QWD15812	15	208	1	51,180	72.1	208	1	1.793	20	2400	110 (49.9)
QWD15212	15	240	1	51,180	62.5	240	1	1.554	20	2400	110 (49.9)
QWD15412	15	480	1	51,180	31.3	480	1	0.777	20	2400	110 (49.9)
QWD15832	15	208	3	51,180	41.6	208	1	1.793	20	2400	110 (49.9)
QWD15232	15	240	3	51,180	36.1	240	1	1.554	20	2400	110 (49.9)
QWD15432	15	480	3	51,180	18.0	480	1	0.777	20	2400	110 (49.9)
QWD15632	15	600	3	51,180	14.5	240	1	1.8	20	2400	125 (56.6)
QWD20412	20	480	1	68,240	41.7	480	1	0.777	26	2400	120 (54.4)
QWD20232	20	240	3	68,240	48.1	240	1	1.554	26	2400	120 (54.4)
QWD20432	20	480	3	68,240	24.1	480	1	0.777	26	2400	120 (54.4)
QWD20632	20	600	3	68,240	19.3	240	1	1.8	26	2400	135 (61.2)
QWD25832	25	208	3	85,300	69.4	208	1	1.793	33	2400	120 (54.4)
QWD25232	25	240	3	85,300	60.1	240	1	1.554	33	2400	120 (54.4)
QWD25432	25	480	3	85,300	30.1	480	1	0.777	33	2400	120 (54.4)
QWD25632	25	600	3	85,300	24.1	240	1	1.8	33	2400	135 (61.2)
QWD30832	30	208	3	102,360	83.3	208	1	1.793	39	2400	120 (54.4)
QWD30232	30	240	3	102,360	72.2	240	1	1.554	39	2400	120 (54.4)
QWD30432	30	480	3	102,360	36.1	480	1	0.777	39	2400	120 (54.4)
QWD30632	30	600	3	102,360	28.9	240	1	1.8	39	2400	135 (61.2)
QWD39432	39	480	3	133,068	46.9	480	1	0.777	51	2400	120 (54.4)
QWD39632	39	600	3	133,068	37.6	240	1	1.8	51	2400	135 (61.2)

### ACCESSORIES (Factory Installed Only)

STUFFIX	DESCRIPTION
T	Thermostat
L	Pilot Light
S	Monel/Selector Switch
D	Disconnect Switch
E	Monel Element*
M	Manual Reset
P	Epoxy Coating

\* Monel elements are subject to longer lead times - contact factory for details



All units other than standard models are non-returnable.

# EXPLOSION PROOF CONVECTORS

## ICG



### APPLICATIONS:

ICG Series convector heaters are designed to heat areas classified as hazardous locations designated for Class I, Groups B, C, & D. Division 1 and 2 environments. Typical applications involve petroleum refineries and gasoline storage and dispensing areas, industrial firms that use flammable liquids in dip tanks for parts cleaning, petrochemical companies manufacturing chemicals, dry cleaning plants, utility and natural gas plants, aircraft hangars, fueling areas, and many other hazardous areas covered by these classifications.

### FEATURES:

- Easily mounted with integral mounting brackets provided for wall installation.
- Polyester powder coated heavy gauge steel that provides excellent corrosion resistance.
- High quality, long life tubular elements with high grade resistance wire embedded in MGO, centered in heavy gauge 1.25" diameter sheath with 3" x 3.25" fins.
- Explosion proof junction boxes included for conduit entry and ease of wiring.
- Sloped top cabinet prevents objects from being set on top which could restrict airflow.
- These convection heaters have been designed and manufactured to provide a rugged and corrosion resistant heat source for areas where volatile flammable liquids or gases and vapors are present.

CATALOG NUMBER	HEATER VOLTS	WATTS (K/W)	PHASE	AMPS	BTU	WT. (LBS.)	SHIP STATUS
<b>T2A TEMPERATURE RATING (536° F)</b>							
ICG18001	120	1.8	1	15.0	6,140	46	AS
ICG18081	208	1.8	1	8.7	6,140		S
ICG18083	208	1.8	3	5.0	6,140		C
ICG18041	240	1.8	1	7.5	6,140		S
ICG18043	240	1.8	3	4.4	6,140		C
ICG18071	277	1.8	1	6.5	6,140		C
ICG180481	480	1.8	1	3.8	6,140		C
ICG180483	480	1.8	3	2.2	6,140		C
ICG36081	208	3.6	1	17.3	12,300	58	S
ICG36083	208	3.6	3	10.0	12,300		C
ICG36041	240	3.6	1	15.0	12,300		S
ICG36043	240	3.6	3	8.7	12,300		C
ICG36071	277	3.6	1	13.0	12,300		C
ICG360481	480	3.6	1	7.5	12,300		C
ICG360483	480	3.6	3	4.3	12,300		S
ICG36063	600	3.6	3	6.3	12,300		C
ICG76081	208	7.6	1	36.5	25,930	94	C
ICG76083	208	7.6	3	21.1	25,930		C
ICG76041	240	7.6	1	31.7	25,930		C
ICG76043	240	7.6	3	18.3	25,930		C
ICG76071	277	7.6	1	27.4	25,930		C
ICG760481	480	7.6	1	15.8	25,930		C
ICG760483	480	7.6	3	9.2	25,930		C
ICG76063	600	7.6	3	9.2	25,930		C
<b>T3A TEMPERATURE RATING (356° F)</b>							
ICG32081	208	3.2	1	15.4	11,000	84	C
ICG32083	208	3.2	3	8.9	11,000		C
ICG32041	240	3.2	1	13.3	11,000		C
ICG32043	240	3.2	3	7.7	11,000		C
ICG32071	277	3.2	1	11.6	11,000		C
ICG320481	480	3.2	1	6.7	11,000		C
ICG320483	480	3.2	3	3.8	11,000		C
ICG32063	600	3.2	3	5.6	11,000		C

### ACCESSORIES (Factory Installed Only)

CATALOG NUMBER	DESCRIPTION
T	Thermostat 45°-85°F.(Class I, Group C & D only)
CX	24V Control Contactor and Transformer (See note #2 below)
CX1	120V Control Contactor and Transformer z (see note #3 below)
TB	Thermostat 45-85 deg. F (Class 1, group B,C, & D)

NOTE 1: Units with factory built-in controls will increase in length by 2.75" over what is shown above.  
 NOTE 2: 480 volt unit heaters with built-in thermostat require "CX" option.  
 NOTE 3: All units with status "C" or "AS" are made-to-order and are non-returnable. See below for availability status.

### DIMENSIONS - Inches

KW	LENGTH	HEIGHT	WIDTH
1.8 and 3.6	34	20	9
3.2 and 7.6	58	20	9

NOTE: Add 8-7/8" to total length of heater to allow for junction box on right side of heater.

### AVAILABILITY STATUS (TUW, SCG)

Code	Description	Lead Time
GUX	Code S - Stock unit (no built-in controls)	4 week
	Code AS - Assemble to stock units (with or without built-in controls)	5 weeks
	Code C - Custom (with or without built-in controls)	6 weeks
	All stock units with built-in controls are the same as code AS units	
ICG	Code S - Stock unit (no built-in controls)	4 week
	Code C - Custom (with or without built-in controls)	6 weeks
	All stock units with built-in controls are the same as code AS units	

# HIGH TEMPERATURE ELECTRIC BLOWER HEATERS

## MSDH

### APPLICATIONS:

High BTU per hour heater without the exhaust fumes or moisture associated with gas heat. Comfort heating and process heating applications up to 180° F. Can be operated unattended without risk of fire or need for refueling. Fan-only operation for air recirculation, fume exhaust, or fresh air supply. Dual thermostat operation. 120 volt control supply. 120 volt control transformer with pilot light. Over temperature limit protects unit from low air flow conditions. Powder coated corrosion resistant 20 gauge steel housing. 10" pneumatic wheels and 4" locking caster. Inlet and outlet flexible duct accessories available for ducting up to 165'. Adjustable damper accessory allows outlet temperature to be controlled.

### FEATURES:

- Drip proof, 1 hp motor with adjustable pulleys allowing for adjustable fan speeds.
- 10" Pneumatic Tires.
- Thermostat 60-180° F with provisions for interface with remote thermostat.
- Fan Switch for fan only operation.
- Contactor.
- Control Transformer.
- Temperature High Limit Cutout.



CATALOG NUMBER	UPC	KW	VOLTAGE (3PHASE)	AMPS	BTUH	TEMP RISE DEG F	DIMENSIONS	SHIP WT. (LBS.)
MSDH3043	6 85360 14913 4	30	480	37.2	102,236	35-88	44" L x 25.4" W x 38.5" H	150
MSDH3093	6 85360 14914 1	30	600	30.0	102,236	35-88	44" L x 25.4" W x 38.5" H	150
MSDH4843	6 85360 14917 2	48	480	58.9	163,776	59-141	44" L x 25.4" W x 38.5" H	160
MSDH4893	6 85360 14918 9	48	600	47.3	163,776	59-141	44" L x 25.4" W x 38.5" H	170
MSDH6043	6 85360 14921 9	60	480	73.3	204,720	70-172	44" L x 25.4" W x 38.5" H	170
MSDH6093	6 85360 14922 6	60	600	58.9	204,720	70-172	44" L x 25.4" W x 38.5" H	170

### ACCESSORIES

CATALOG NUMBER	UPC	DIMENSIONS	SHIP WT. (LBS.)
MSDHF20	6 85360 15072 7	20" Diameter Flexible Duct (25 feet)	45
MSDHA20	6 85360 15076 5	20" diameter Adaptor Ring	20
MSDHSK20	6 85360 15074 1	20" diameter Splice Kit	40
MSDHDC	6 85360 15078 9	20" diameter duct clamp	3
MSDHAD	6 85360 15080 2	Adjustable Damper	12

# PORTABLE ELECTRIC BLOWER HEATERS - MEDH

### APPLICATIONS:

The high output, industrial grade, portable electric blower is a work horse. The MEDH Series heater can be left unattended without the threat of poisoning from combustion by-products, associated with fuel fired heaters. Practical uses are factories, enclosed areas, enclosed smoking areas, building construction where "localized" temporary heat is needed, and repair stations are just a few examples of where MEDH Series portable blower heaters can be used.

### FEATURES:

- Heavy duty spiral fin tube metal sheath elements.
- cETLus certified.
- 10KW, 15KW and 30KW heat output available.
- Voltages include 208V, 240V and 480V.
- Fan only operation for summer use.
- Single and three phase operation.
- Safe to operate in unattended areas.
- 10 inch pneumatic wheels.
- Thermostat selector switch.
- Ceiling / wall bracket option available.
- Cord sets for power supply feed available.

CATALOG NUMBER	UPC	KW	VOLTS	BTUH	PH	AMPS	DIMENSIONS	SHIP WT. (LBS.)	STATUS
MEDH1021A	6 85360 15217 2	10	240	34,120	1	41.7	40" H X 30" W X 24" D	65	S
MEDH1021CKA	6 85360 15258 5	10	240	34,120	1	41.7	40" H X 30" W X 24" D	65	S
MEDH1583A	6 85360 15225 7	15	208	51,180	3	41.8	40" H X 30" W X 24" D	65	NS
MEDH1521A	6 85360 15219 6	15	240	51,180	1	62.5	40" H X 30" W X 24" D	65	NS
MEDH1523A	6 85360 15221 9	15	240	51,180	3	36.3	40" H X 30" W X 24" D	65	NS
MEDH1543A	6 85360 15223 3	15	480	51,180	3	18.6	40" H X 30" W X 24" D	65	S
MEDH3043A	6 85360 15227 1	30	480	102,360	3	36.3	40" H X 30" W X 24" D	75	NS

NOTE: MEDH1021CKA includes cord & plug kit packaged inside heater carton.

CATALOG NUMBER	UPC	KW	DESCRIPTION	SHIP WT. (LBS.)
DHCWM	-	-	Ceiling and wall bracket can be used on all models	20
SCS25043	6 85360	4/3 SO	DH1521A	22
SCS10063	6 85360	6/3 SO	DH1021A (10ft long w/plug)	18
SCS25064	6 85360	6/4 SO	DH1583A, DH1523A, DH3043A	20
SCS25124	6 85360	12/4 SO	DH15443A	10

NOTE: Cord and plug accessories are located on pg. 81.





INDUSTRY	HEATING APPLICATIONS	VENTILATION APPLICATIONS	EXHAUST APPLICATIONS
Mining Coal Metal	Non hazardous areas. Freeze protection & maintenance comfort.	Non hazardous areas. Maintenance comfort in the summer.	Non hazardous areas. Maintenance removing noxious fumes for personnel.
Oil & Gas Extraction	Non hazardous areas. Freeze protection & maintenance comfort	Non hazardous areas. Maintenance comfort in the summer	Non hazardous areas. Maintenance removing noxious fumes for personnel
Contractors Painting Plastering Floor Laying Concrete Work	Freeze protection Speed drying or curing Worker comfort	Speed drying Worker comfort in closed areas	Remove non hazardous fumes for worker comfort
Food Processing Canned Fruits & Veg Dehydrated Fruits & Veg Flour & Grain Milling Prepared Feeds Sugar Refining Soybean & Other Oil Mills	Insect control Freeze protection Maintenance worker comfort	Worker comfort in closed areas	Remove non hazardous fumes for worker comfort
Tobacco Processing	Insect control Freeze protection Maintenance worker comfort	Worker comfort in closed areas	Remove non hazardous fumes for worker comfort
Textile Mills	Freeze protection Maintenance worker comfort	Worker comfort in closed areas	Remove non hazardous fumes for worker comfort
Pulp & Paper Mills	Freeze protection Speed drying Maintenance worker comfort	Worker comfort in closed areas	Remove non hazardous fumes for worker comfort
Printing Plants	Freeze protection Speed drying Maintenance worker comfort	Worker comfort in closed areas	Remove non hazardous fumes for worker comfort
Chemical Plants	Non hazardous areas. Freeze protection & maintenance comfort	Non hazardous areas. Maintenance comfort in the summer	Non hazardous areas. Maintenance removing noxious fumes for personnel
Plastic Manufacturing	Non hazardous areas. Freeze protection & maintenance comfort	Non hazardous areas. Maintenance comfort in the summer	Non hazardous areas. Maintenance removing noxious fumes for personnel
Metal Industries Steel Aluminum	Freeze protection Maintenance comfort	Maintenance comfort in the summer	Maintenance comfort in the summer
Transportation Equipment Autos Trucks Buses Rail Road	Maintenance and freeze protection	Maintenance comfort in the summer	Maintenance comfort in the summer
Truck Trailer Docks	Comfort heating during loading or unloading	Comfort heating during loading or unloading	
Naval Bases & Marinas Land Aboard Ship	Maintenance comfort heating Freeze protection or drying	Maintenance comfort ventilating	Non hazardous areas. Maintenance removing noxious fumes for personnel
Air Transportation Manufacturing Maintenance Hangars Airports	Freeze protection Maintenance comfort heating		
Equipment Rental Companies	Comfort heating at events Emergency heating for comfort & freeze protection Drying after flood	Comfort ventilating at events	
Miscellaneous Applications Libraries Museums	Control of destructive insect pests in museums, homes and other repositories for valuables, artifacts and art objects.		

## PORTABLE ELECTRIC HEATERS - TBX MOBILE WARMING™

**Heat where you need it!**  
**When you need it!**

The TBX Series Mobile Warmer™ is a powerful portable heater. Made of heavy gauge steel and polyester powder coat paint. The unit also features a latched storage area on top for miscellaneous items such as tools and hardware or lunch. 10 inch diameter pneumatic wheels allow for easy rolling over obstacles to the spot where heat is needed.

### APPLICATIONS

- Factories, Stores, Warehouses, Stockrooms.
- Flood dry-out, Workshops, Repair Stations.
- Building Construction, Drywall Dry-out.
- Tent Heating, Greenhouse Heating, Frozen Pipe Thaw-out.

### FEATURES

- Includes 8 ft. cord and NEMA 6-50P plug. (Requires NEMA 6-50R receptacle)
- Thermostat with positive off and fan only position. (Range 40°F to 100°F)
- Heats lower to floor for natural convection.
- Lower profile to prevent tipping.
- Storage area under lid.
- Rugged steel finned element construction.
- High temperature safety limit.
- Collapsible handle for easy transport & storage.



CATALOG NUMBER	UPC 6-85360	KW	VOLTAGE	AMPS	BTUH	CFM	DIMENSIONS	SHIP WT (LBS.)
TBX104	6 85360 15127 4	9.5	240	39.6	32,424	1100	28.5" H x 25" W x 18.5" D	70
TBX754	6 85360 15128 1	7.5	240	31.2	52,598	1100	28.5" H x 25" W x 18.5" D	70

(US Patented No. D559,962)

# INSTITUTIONAL ELECTRIC CONVECTORS

## KCJ



### APPLICATIONS:

KCJ Series type convector is designed with low operating temperatures and is U.L. listed. This is a rugged, wall mounted, tamper resistant convection heater designed to provide heat in correctional or rehabilitation institutions where safety is a major concern.

### FEATURES:

- 140°F maximum surface temperature in a 70°F ambient.
- Internal tamper resistant thermostat with 55° to 100°F range.
- 12 gauge perforated steel, sloped top cover. Finished in a neutral grey durable powder paint.
- Internal DPST disconnect switch.

### DIMENSIONS

WATTAGE	LENGTH	HEIGHT	DEPTH
400	24"	16"	5"
500	28"	16"	5"
750	36"	16"	5"
1000	48"	16"	5"
1250	60"	16"	5"
1500	72"	16"	5"
2000	96"	16"	5"

NOTE: These products are Made-to-order and cannot be returned.

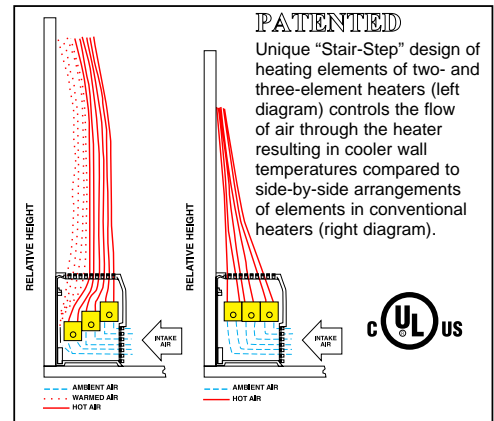
CATALOG NUMBER	HEATER VOLTS	WATTS	AMPS	SHIP WT. (LBS.)
KCJ400	120		3.3	
KCJ408	208		1.9	
KCJ404	240	400	1.7	40
KCJ407	277		1.4	
KCJ500	120		4.2	
KCJ508	208		2.4	
KCJ504	240	500	2.2	45
KCJ507	277		1.8	
KCJ750	120		6.3	
KCJ758	208		3.6	
KCJ754	240	750	3.3	55
KCJ757	277		2.7	
KCJ753	347		2.2	
KCJ1000	120		8.3	
KCJ1008	208		4.8	
KCJ1004	240	1000	4.4	65
KCJ1007	277		3.6	
KCJ1003	347		2.9	
KCJ1006	600		1.7	
KCJ1250	120		10.4	
KCJ1258	208		6	
KCJ1254	240	1250	5.4	80
KCJ1257	277		4.5	
KCJ1253	347		3.6	
KCJ1256	600		2.1	
KCJ1500	120		12.5	
KCJ1508	208		7.2	
KCJ1504	240	1500	6.5	95
KCJ1507	277		5.4	
KCJ1503	347		4.3	
KCJ1506	600		2.5	
KCJ2008	208		9.6	
KCJ2004	240		8.8	
KCJ2007	277	2000	7.2	95
KCJ2003	347		5.8	
KCJ2006	600		3.3	

## ARCHITECTURAL SILL-HEIGHT CONVECTION HEATERS - DBA & SHA

- Selection, beauty, and performance — in a wide range of models, ratings and accessories for use in offices, corridors, lobbies and similar facilities.
- Architectural styling incorporates a patented "Stair-Step" heating element arrangement in two- and three-element SHA heaters for more efficient heat distribution. (See element arrangement picture.)
- Unique "Snap-Lock" closure design secures the one-piece extruded aluminum top and front grilles to the one-piece back and bottom. This closure method provides a rapid, secure fit all along the length of the unit.
- Units can be wall-to-wall or mounted as discrete units in standard lengths of 28 inches to ten feet. Custom length cabinets with single or multiple heat decks are available, as are pedestal mounts.
- Standard units are equipped with a built-in wireway (equivalent to 3/4" conduit) with factory-installed wiring which permits multiple heater connections. Units are designed for either right or left hand entry for easy connection of supply wiring from bottom, rear or end, as well as multiple wiring of adjacent heaters from one entry point.
- Optional built-in controls include: line-voltage thermostat; two-stage thermostat; on / off switch; transformer relay; power relay and pneumatic/switch.

NOTE: DBA Models are approved for residential use.

NOTE: These products are Made-to-order and cannot be returned.

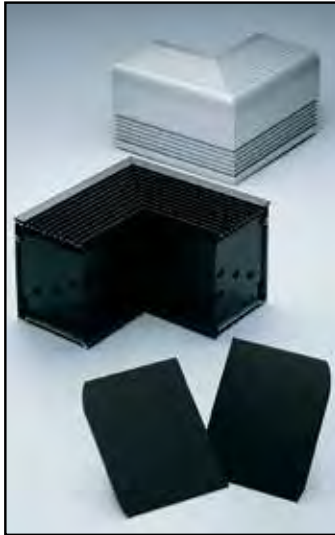


### CABINET STYLES

Two cabinet styles are available. The DBA is 3-5/8" x 6" and is available with one heating element. The SHA is 5-3/8" x 7" and is available with one, two, or three-elements. Both sizes are available in two versions: front-in top-out, and bottom-in top-out.

# OTHER SPECIAL FEATURES

## DBA AND SHA



### TRIM ACCESSORIES:

Accessories include a complete line of matching blank sections, end caps, filler sections, inside and outside corners, diagonal end sections, and splice plates.

### MULTIPLE FINISHES:

Heating units are available in rich anodized finishes and a spectrum of muted architectural colors in baked enamel finishes which are compatible with all interior decors.

### MULTIPLE HEATING CAPACITIES:

Units are available in a wide range of heating capacities per foot length: 100 watts (341 BTU per hour) to 750 watts (2560 BTU per hour).

### THERMAL CUTOUT:

Thermal limit switch with linear type (full length) sensing bulb provides constant protection against overheating from any cause. The switch will automatically reset when normal operating temperatures are restored.

### SMOOTH FINISHED BACK

The back of both the DBA and SHA is void of any fasteners, giving it a clean appearance. Knockouts on the back for access to the junction boxes can be deleted on request to further enhance the appearance. The back will not be painted or anodized to match the front unless requested.

### PENCIL-PROOF GRILLES

The discharge air openings in the top grille are punched slots which are pencil-proof for safety. The inlet air grille utilizes these same slots which creates an attractive installation where the inlet grille is visible.

### DIAGONAL END SECTION

Architectural styled section to compliment the ASL3/5 units. Designed to give the unit a finished look when used as a stand alone, or where a wall to wall run is not desired.

CATALOG NUMBER	LENGTH "L"	WATTS PER FT.	TOTAL WATTS	AMPERAGE						SHIP WT. (LBS.)
				120V	208V	240V	277V	347V	600V	
DBA02	28" (711mm)	100	200	1.7	1.0	0.8	—	—	—	8
		125	250	2.1	1.2	1.0	0.9	—	—	
		150	300	2.5	1.4	1.3	1.1	—	—	
		188	376	3.1	1.8	1.6	1.4	—	—	
		250	500	4.2	2.4	2.1	1.8	1.4	—	
DBA03	3' (914mm)	100	300	2.5	1.4	1.3	1.1	—	—	10
		125	375	3.1	1.8	1.6	1.4	1.1	—	
		150	450	3.8	2.2	1.9	1.6	1.3	—	
		188	564	4.7	2.7	2.4	2.0	1.6	—	
		250	750	6.3	3.6	3.1	2.7	2.2	—	
DBA04	4' (1219mm)	100	400	3.3	1.9	1.7	1.4	1.2	—	13
		125	500	4.2	2.4	2.1	1.8	1.4	—	
		150	600	5.0	2.9	2.5	2.2	1.7	—	
		188	752	6.3	3.6	3.1	2.7	2.2	1.3	
		250	1000	8.3	4.8	4.2	3.6	2.9	1.7	
DBA05	5' (1524mm)	100	500	4.2	2.4	2.1	1.8	1.4	.08	17
		125	625	5.2	3.0	2.6	2.3	1.8	1.0	
		150	750	6.3	3.6	3.1	2.7	2.2	1.3	
		188	940	7.8	4.5	3.9	3.4	2.7	1.6	
		250	1250	10.4	6.0	5.2	4.5	3.6	2.1	
DBA06	6' (1829mm)	100	600	5.0	2.9	2.5	2.2	1.7	1.0	20
		125	750	6.3	3.6	3.1	2.7	2.2	1.3	
		150	900	7.5	4.3	3.8	3.2	2.6	1.5	
		188	1128	9.4	5.4	4.7	4.1	3.3	1.9	
		250	1500	12.5	7.2	6.3	5.4	4.3	2.5	
DBA07	7' (2134mm)	100	700		3.4	2.9	2.5	2.0	1.2	24
		125	875		4.2	3.6	3.2	2.5	1.5	
		150	1050		5.0	4.4	3.8	3.0	1.8	
		188	1316		6.3	5.5	4.8	3.8	2.2	
		250	1750		8.4	7.3	6.3	5.0	2.9	
DBA08	8' (2438mm)	100	800		3.8	3.3	2.9	2.3	1.3	27
		125	1000		4.8	4.2	3.6	2.9	1.7	
		150	1200		5.8	5.0	4.3	3.5	2.0	
		188	1504		7.2	6.3	5.4	4.3	2.5	
		250	2000		9.6	8.3	7.2	5.8	3.3	
DBA09	9' (2743mm)	100	900		4.3	3.8	3.2	2.6	1.5	30
		125	1125		5.4	4.7	4.1	3.2	1.9	
		150	1350		6.5	5.6	4.9	3.9	2.3	
		188	1692		8.1	7.1	6.1	4.9	2.8	
		250	2250		10.8	9.4	8.1	6.5	3.8	
DBA10	10' (3048mm)	100	1000		4.8	4.2	3.6	2.9	1.7	33
		125	1250		6.0	5.2	4.5	3.6	2.1	
		150	1500		7.2	6.3	5.4	4.3	2.5	
		188	1880		9.0	7.8	6.8	5.4	3.1	
		250	2500		12.0	10.4	9.0	7.2	4.2	

**NOTE:**

1. Cabinet available up to 15' length. Custom length cabinets are priced with heater and blank to the next larger size.
2. Backs are provided standard with no finish. For finished backs, add 10% to List price.
3. Knockouts on back omitted by request only.

**NOTE:** All models are NON-STOCK made-to-order. When ordering, specify quantity, catalog number, voltage, wattage, optional controls, and color. Consult sales representative for lead times.

# ARCHITECTURAL SILL-HEIGHT CONVECTION HEATERS

## DBA AND SHA



CATALOG NUMBER	LENGTH "L"	WATTS PER FT.	TOTAL WATTS	AMPERAGE						SHIP WT. (LBS.)
				120V	208V	240V	277V	347V	600V	
SHA02	28" (711mm)	100	200	1.7	1.0	0.8	0.9	—	—	8
		125	250	2.1	1.2	1.0	—	—		
		150	300	2.5	1.4	1.3	1.1	—		
		188	376	3.1	1.8	1.6	1.4	—		
		250	500	4.2	2.4	2.1	1.8	1.4		
SHA03	3' (914mm)	100	300	2.5	1.4	1.3	1.1	—	—	10
		125	375	3.1	1.8	1.6	1.4	—	—	
		150	450	3.8	2.2	1.9	1.6	1.3	—	
		188	564	4.7	2.7	2.4	2.0	1.6	—	
		250	750	6.3	3.6	3.1	2.7	2.2	—	
SHA04	4' (1219mm)	100	400	3.3	1.9	1.7	1.4	1.2	—	13
		125	500	4.2	2.4	2.1	1.8	1.4	—	
		150	600	5.0	2.9	2.5	2.2	1.7	—	
		188	752	6.3	3.6	3.1	2.7	2.2	1.3	
		250	1000	8.3	4.8	4.2	3.6	2.9	1.7	
SHA05	5' (1524mm)	100	500	4.2	2.4	2.1	1.8	1.4	.08	17
		125	625	5.2	3.0	2.6	2.3	1.8	1.0	
		150	750	6.3	3.6	3.1	2.7	2.2	1.3	
		188	940	7.8	4.5	3.9	3.4	2.7	1.6	
		250	1250	10.4	6.0	5.2	4.5	3.6	2.1	
SHA06	6' (1829mm)	100	600	5.0	2.9	2.5	2.2	1.7	1.0	20
		125	750	6.3	3.6	3.1	2.7	2.2	1.3	
		150	900	7.5	4.3	3.8	3.2	2.6	1.5	
		188	1128	9.4	5.4	4.7	4.1	3.3	1.9	
		250	1500	12.5	7.2	6.3	5.4	4.3	2.5	
SHA07	7' (2134mm)	100	700	—	3.4	2.9	2.5	2.0	1.2	24
		125	875	—	4.2	3.6	3.2	2.5	1.5	
		150	1050	—	5.0	4.4	3.8	3.0	1.8	
		188	1316	—	6.3	5.5	4.8	3.8	2.2	
		250	1750	—	8.4	7.3	6.3	5.0	2.9	
SHA08	8' (2438mm)	100	800	—	3.8	3.3	2.9	2.3	1.3	27
		125	1000	—	4.8	4.2	3.6	2.9	1.7	
		150	1200	—	5.8	5.0	4.3	3.5	2.0	
		188	1504	—	7.2	6.3	5.4	4.3	2.5	
		250	2000	—	9.6	8.3	7.2	5.8	3.3	
SHA09	9' (2743mm)	100	900	—	4.3	3.8	3.2	2.6	1.5	30
		125	1125	—	5.4	4.7	4.1	3.2	1.9	
		150	1350	—	6.5	5.6	4.9	3.9	2.3	
		188	1692	—	8.1	7.1	6.1	4.9	2.8	
		250	2250	—	10.8	9.4	8.1	6.5	3.8	
SHA10	10' (3048mm)	100	1000	—	4.8	4.2	3.6	2.9	1.7	33
		125	1250	—	6.0	5.2	4.5	3.6	2.1	
		150	1500	—	7.2	6.3	5.4	4.3	2.5	
		188	1880	—	9.0	7.8	6.8	5.4	3.1	
		250	2500	—	12.0	10.4	9.0	7.2	4.2	

**NOTE:**

1. Cabinet available up to 15' length. Custom length cabinets are priced with heater and blank to the next larger size.
2. Backs are provided standard with no finish. For finished backs, add 10% to List price.
3. Knockouts on back omitted by request only.

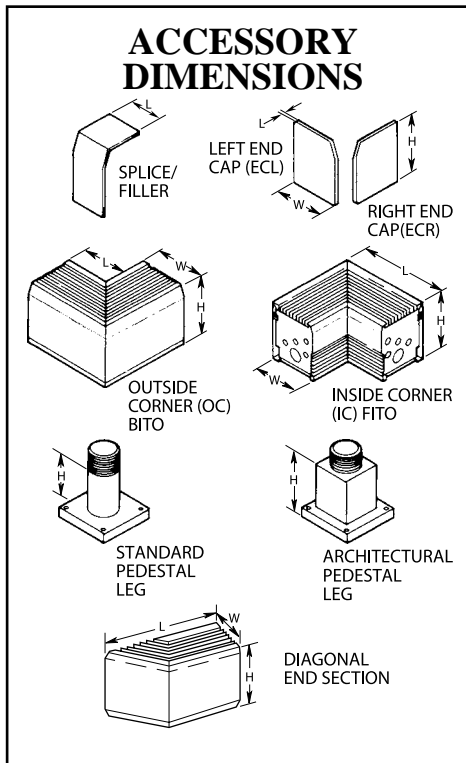
NOTE: All models are NON-STOCK made-to-order. When ordering, specify quantity, catalog number, voltage, wattage, optional controls, and color. Consult sales representative for lead times.

**TABLE 2 - Multiple element units**

CATALOG NUMBER	LENGTH "L"	WATTS PER FT.	TOTAL WATTS	AMPERAGE								SHIP NO. OF ELEMENTS	SHIP WT. (LBS.)
				208V		240V		277V	347V	600V			
				1 Ph.	3 Ph.	1 Ph.	3 Ph.	1 Ph.	1 Ph.	1 Ph.	3 Ph.		
SHA02	28" (711mm)	375	750	3.6	—	3.1	—	2.7	—	—	—	3	12
		500	1000	4.8	—	4.2	—	3.6	2.9	—	—		
		600	1200	5.8	3.3	5.0	2.9	4.3	—	—	—		
		750*	1500	7.2	4.2	6.3	3.6	5.4	4.3	—	—		
SHA03	3' (914mm)	375	1125	5.4	—	4.7	—	4.1	—	—	2	15.5	
		500	1500	7.2	—	6.3	—	5.4	4.3	—			—
		600	1800	8.7	5.0	7.5	4.3	6.5	—	—			—
		750*	2250	10.8	6.3	9.4	5.4	8.1	6.5	—			—
SHA04	4' (1219mm)	375	1500	7.2	—	6.3	—	5.4	4.3	—	2	20	
		500	2000	9.6	—	8.3	—	7.2	5.8	3.3			—
		600	2400	11.5	6.7	10.0	5.8	8.7	6.9	—			—
		750*	3000	14.4	8.3	12.5	7.2	10.8	8.6	5.0			2.9
SHA05	5' (1524mm)	375	1875	9.0	—	7.8	—	6.8	5.4	3.1	2	25.5	
		500	2500	12.0	—	10.4	—	9.0	7.2	4.2			—
		600	3000	14.4	8.3	12.5	7.2	10.8	8.6	5.0			2.9
		750*	3750	18.0	10.4	15.6	9.0	13.5	10.8	6.3			3.8
SHA06	6' (1829mm)	375	2250	10.8	—	9.4	—	8.1	6.5	3.8	2	30	
		500	3000	14.4	—	12.5	—	10.8	8.6	5.0			—
		600	3600	17.3	10.0	15.0	8.7	13.0	10.4	6.0			3.5
		750*	4500	21.6	12.5	18.8	10.8	16.2	13.0	7.5			4.3
SHA07	7' (2134mm)	375	2625	12.6	—	10.9	—	9.5	7.6	4.4	2	35	
		500	3500	16.8	—	14.6	—	12.6	10.1	5.8			—
		600	4200	20.2	11.7	17.5	10.1	15.2	12.1	7.0			4.0
		750*	5250	25.2	14.6	21.9	12.6	19.0	15.1	8.8			5.1
SHA08	8' (2438mm)	375	3000	14.4	—	12.5	—	10.8	8.6	5.0	2	40	
		500	4000	19.2	—	16.7	—	14.4	11.5	6.7			—
		600	4800	23.1	13.3	20.0	11.6	17.3	13.8	8.0			4.6
		750*	6000	28.8	16.7	25.0	14.5	21.7	17.3	10.0			5.8
SHA09	9' (2743mm)	375	3375	16.2	—	14.1	—	12.2	9.7	5.6	2	45	
		500	4500	21.6	—	18.8	—	16.2	13.0	7.5			—
		600	5400	26.0	15.0	22.5	13.0	19.5	15.6	9.0			5.2
		750*	6750	32.5	18.8	28.1	16.3	24.4	19.5	11.3			6.5
SHA10	10' (3048mm)	375	3750	18.0	—	15.6	—	13.5	10.8	6.3	2	50	
		500	5000	24.0	—	20.8	—	18.1	14.4	8.3			—
		600	6000	28.8	16.7	25.0	14.5	21.7	17.3	10.0			5.8
		750*	7500	36.1	20.8	31.3	18.1	27.1	21.6	12.5			7.2

\*750W Models Bottom Inlet Only.

## DBA



CATALOG NUMBER	L*	H	W
DBAIC**	8-1/2"		
DBAOC**	5"	6"	3-5/8"
DBA135OC	5"		
DBA135IC**	8-1/2"		
DBADESBL			
DBADESBR	9.136"	6"	3-5/8"
DBADESFL			
DBADESFR			
DBAECL			
DBAECR	1/8"	6"	3-5/8"
DBAECLS			
DBAECRS			
DBASP	0"-1/4"	6"	3-5/8"
DBAFL3	0" - 3"		
DBAFL6	3" - 6"		
DBAFL9	6" - 9"	6"	3-5/8"
DBAFL12	9" - 12"		
DBAFL18	12" - 18"		
PK3S		2-7/8"	-
PK3A	0"		
PK5S			
PK5A	0"	4-1/8"	-

\*L dimension is the additional length the accessory adds to the total installation length.

\*\*Add suffix -B for bottom inlet, -F for front inlet.

CATALOG NUMBER (See note 1)	DIMENSIONS W x H x L	INLET	SHIP WT. (LBS.)
DBABS1F DBABS1B	3-5/8" x 6" x 1'	Front Inlet Bottom Inlet	4
DBABS2F DBABS2B	3-5/8" x 6" x 28"	Front Inlet Bottom Inlet	7
DBABS3F DBABS3B	3-5/8" x 6" x 3'	Front Inlet Bottom Inlet	9
DBABS4F DBABS4B	3-5/8" x 6" x 4'	Front Inlet Bottom Inlet	12
DBABS5F DBABS5B	3-5/8" x 6" x 5'	Front Inlet Bottom Inlet	16
DBABS6F DBABS6B	3-5/8" x 6" x 6'	Front Inlet Bottom Inlet	19
DBABS7F DBABS7B	3-5/8" x 6" x 7'	Front Inlet Bottom Inlet	22.5
DBABS8F DBABS8B	3-5/8" x 6" x 8'	Front Inlet Bottom Inlet	24
DBABS9F DBABS9B	3-5/8" x 6" x 9'	Front Inlet Bottom Inlet	27
DBABS10F DBABS10B	3-5/8" x 6" x 10'	Front Inlet Bottom Inlet	30

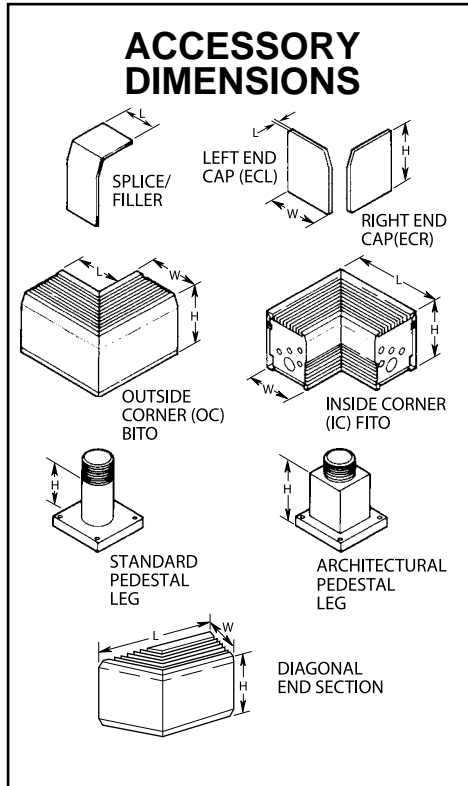
NOTE 1: Blank section grilles are not punched unless requested.

CATALOG NUMBER (See note 1)	DESCRIPTION	ADDITIONAL WALL SPACE REQUIRED	SHIP WT. (LBS.)
DBAECL	End Cap - Left		
DBAECR	End Cap - Right		
DBAECLS	End Cap w/Screws - Left	1/8"	1
DBAECRS	End Cap w/Screws - Right		
DBAICF	Inside Corner-Front In	8-1/2"	5
DBAICB	Inside Corner-Bottom In	8-1/2"	5
DBAOCF	Outside Corner-Front In	5"	4
DBAOCB	Outside Corner-Bottom In	5"	4
DBA135ICF	135° Inside Corner-Fnt. In	8-1/2"	5
DBA135ICB	135° Inside Corner-Bot. In	8-1/2"	5
DBA135OCF	135° Outside Corner-Fnt. In	5"	4
DBA135OCB	135° Outside Corner-Bot. In	5"	4
DBADESBL	Dec. End Section-Bot. In, Left		5
DBADESBR	Dec. End Section-Bot. In, Right	9-9/64"	5
DBADESFL	Dec. End Section-Fnt. In, Left		4
DBADESFR	Dec. End Section-Fnt. In, Right		4
DBASP	Splice Plate	0"-1/4"	1
DBAFL3	Filler Section 3"	0" - 3"	1
DBAFL6	Filler Section 6"	3" - 6"	1
DBAFL9	Filler Section 9"	6" - 9"	1
DBAFL12	Filler Section 12"	9" - 12"	1
DBA-FL18	Filler Section 18"	15" - 18"	1.5
DBADRF	Receptacle Section-Fnt. In		
DBADRB	Receptacle Section-Bot. In	4-1/2"	1.5
DBAPEF	Pneu/Ele Sw-Fnt. In		
DBAPEB	Pneu/Ele Sw-Bot. In	4-1/2"	2
**PK3S	Standard Pedestal	-	2
**PK3A	Architectural Pedestal	-	2
SO1A	Stand-Off Bracket	-	1

\*Add suffix -P for painted, -C for clear anodized, -B for bronze anodized (excludes PK3S - Black only).

\*\*One pedestal. Two required on units up to 10', three required on units over 10'.

SHA



CATALOG NUMBER (See note 1)	DIMENSIONS W x H x L	INLET	SHIP WT. (LBS.)
SHABS1F SHABS1B	5-3/8" x 7" x 1'	Front Inlet Bottom Inlet	7
SHABS2F SHABS2B	5-3/8" x 7" x 28"	Front Inlet Bottom Inlet	11
SHABS3F SHABS3B	5-3/8" x 7" x 3'	Front Inlet Bottom Inlet	14
SHABS4F SHABS4B	5-3/8" x 7" x 4'	Front Inlet Bottom Inlet	18
SHABS5F SHABS5B	5-3/8" x 7" x 5'	Front Inlet Bottom Inlet	22
SHABS6F SHABS6B	5-3/8" x 7" x 6'	Front Inlet Bottom Inlet	27
SHABS7F SHABS7B	5-3/8" x 7" x 7'	Front Inlet Bottom Inlet	32
SHABS8F SHABS8B	5-3/8" x 7" x 8'	Front Inlet Bottom Inlet	37
SHABS9F SHABS9B	5-3/8" x 7" x 9'	Front Inlet Bottom Inlet	40
SHABS10F SHABS10B	5-3/8" x 7" x 10'	Front Inlet Bottom Inlet	44

NOTE 1: Blank section grilles are not punched unless requested.

CATALOG NUMBER	L*	H	W
SHAIC** SHAOC** SHA135OC SHA135IC**	10" 5" 5" 10"	7"	5-3/8"
SHADESBL SHADESBR SHADESFL SHADESFR	12 1/2"	7"	5-3/8"
SHAECCL SHAECRL SHAECLS SHAECRS	1/8"	7"	5-3/8"
SHASP	0"-1/4"	7"	5-3/8"
SHAF13 SHAF16 SHAF19 SHAF12 SHAF18	0" - 3" 3" - 6" 6" - 9" 9" - 12" 12" - 18"	7"	5-3/8"
PK3S PK3A	0"	2-7/8"	-
PK5S PK5A	0"	4-1/8"	-

\*L dimension is the additional length the accessory adds to the total installation length.

\*\*Add suffix -B for bottom inlet, -F for front inlet.

CATALOG NUMBER (See note 1)	DESCRIPTION	ADDITIONAL WALL SPACE REQUIRED	SHIP WT. (LBS.)
SHAECCL SHAECRL SHAECLS SHAECRS	End Cap - Left End Cap - Right End Cap w/Screws - Left End Cap w/Screws - Right	1/8"	1
SHAICF SHAICB SHAOCF SHAOCB	Inside Corner-Front In Inside Corner-Bottom In Outside Corner-Front In Outside Corner-Bottom In	10" 10" 5" 5"	11 11 7 7
SHA135ICF SHA135ICB SHA135OCF SHA135OCB	135° Inside Corner-Fnt. In 135° Inside Corner-Bot. In 135° Outside Corner-Fnt. In 135° Outside Corner-Bot. In	10" 10" 5" 5"	11 11 7 7
SHADESBL SHADESBR SHADESFL SHADESFR	Dec. End Section-Bot. In, Left Dec. End Section-Bot. In, Right Dec. End Section-Fnt. In, Left Dec. End Section-Fnt. In, Right	12-1/2"	11 11 7 7
SHASP	Splice Plate	0"-1/4"	1
SHAF13 SHAF16 SHAF19 SHAF12 SHAF18	Filler Section 3" Filler Section 6" Filler Section 9" Filler Section 12" Filler Section 18"	0" - 3" 3" - 6" 6" - 9" 9" - 12" 15" - 18"	1 1 2 3 5
SHADRF SHADRFB	Receptacle Section-Fnt. In Receptacle Section-Bo.t In	4-1/2"	2
**PK5S	Standard Pedestal	-	2
**PK5A	Architectural Pedestal	-	2
SO1A	Stand-Off Bracket	-	1

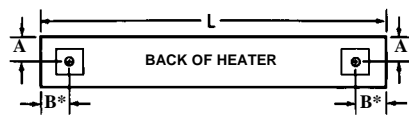
\*Add suffix -P for painted, -C for clear anodized, -B for bronze anodized (excludes PK5S - Black only).

\*\*One pedestal. Two required on units up to 10', three required on units over 10'.

# ARCHITECTURAL SILL-HEIGHT CONVECTION HEATERS

## DBA & SHA

### PEDESTAL PLACEMENT

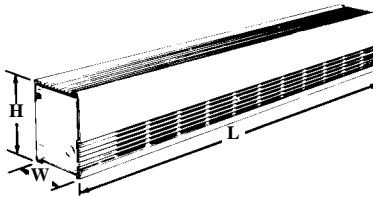


\*Pedestal placement and K.O.'s shown are for standard units custom enclosures and/or heat decks will have pedestal placement and K.O.'s in various locations. Consult factory.

CATALOG NUMBER	A	B	L
DBA	2"	2-1/4"	28"-10'
SHA	2-25/32"	2-1/4"	28"-10'

Note: On units longer than 10' three pedestals are required. Consult factory for placement.

### DIMENSIONS



CATALOG NUMBER	A	B	L
DBA	6"	3-5/8"	28"-15'
SHA	7"	5-3/8"	28"-12'

Note: On units longer than 10' three pedestals are required. Consult factory for placement.

MINIMUM MOUNTING HEIGHT ABOVE FLOOR		
DBA & SHA	Front Inlet	0"
DBA & SHA	Bottom Inlet (9100 w/ft. - 250 w/ft.)	1 3/4"
SHA	Bottom Inlet (375 w/ft. - 750 w/ft.)	3"

### HOW TO ORDER ASL SERIES CONVECTORS

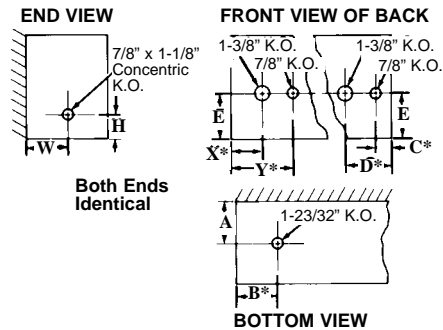
Qmark's catalog number is made up of eight groups of numbers and letters to provide a complete description of the product. An example of a typical catalog number is shown below.

If the requirement is for an eight foot long, 5-3/8" x 7" bottom inlet, 750 w/ft., 208V, three phase heater with a built-in power on / off switch, the Qmark catalog number would be:

SHA-08 - 750 - B - 20 - 3 - S - DSDS  
I II III IV V VI VII VIII

- I. PREFIX SHA designates the 5-3/8" x 7" cabinet size and DBA designates the 5-3/8" x 6" cabinet size.
- II. CABINET LENGTH — For standard heaters (see VII) the heat deck is the same length as the cabinet. Standard cabinet lengths are 02=28", 03=3', 04=4', 05=5', 06=6', 07=7', 08=8', 09=9', & 10=10'.
- III. WATT DENSITY - Standard watt densities for the ASL3 are 100 w/ft., 125 w/ft., 150 w/ft., 188 w/ft., 250 w/ft. Watt densities for the SHA include all the DBA watt densities plus 375 w/ft., 500 w/ft., 600 w/ft. and 750 w/ft. (750 w/ft. is bottom inlet only).
- IV. INLET AIR CONFIGURATION — B-Bottom Inlet F-Front Inlet
- V. VOLTAGE — 12-120V, 20-208V, 24-240V, 27-277V.
- VI. Phase — 1=1Ø, 3=3Ø
- VII. UNIT DESIGNATIONS —  
S - Standard Unit. This unit has the heat deck the same length as the cabinet.  
C - Custom Unit. This unit can have the cabinet longer than the heat deck (example: 6 foot heat deck in a 7' 3" cabinet) or multiple heat decks in a single cabinet (example: a 3 foot and a 28 inch heat deck in an 8' 6" cabinet). A custom unit requires the use of a Custom Convector Layout Form to detail the unit for order entry.
- VIII. CONTROLS — The controls that are available are:

### KNOCKOUTS



Both Ends Identical

\*Pedestal placement and K.O.'s shown are for standard units custom enclosures and/or heat decks will have pedestal placement and K.O.'s in various locations. Consult factory.

CATALOG NUMBER	A	B	C	D	E
DBA	2"	2-1/4"	7/8"	2-1/4"	3-3/8"
SHA	2-25/32"	2-1/4"	7/8"	2-1/4"	3-3/8"

CATALOG NUMBER	A	B	C	D
DBA	1-1/32"	1-7/8"	1-3/16"	2-9/16"
SHA	2"	2-3/8"	1-3/16"	2-9/16"

- T - single-pole thermostats
- 2T - double-pole thermostats
- DS - power on / off switch
- TR - transformer relay
- PR - power relay
- PE - pneumatic/electric switch
- 2ST - 2-stage thermostat

### OPTIONAL BUILT-IN CONTROLS (FOR DBA AND SHA CONVECTORS - ALSO SEE PG. 67)

SUFFIX ADDITION TO BASIC CAT. NO. (SEE NOTE D)	OPTIONAL BUILT-IN CONTROL	RATINGS
T	1-Pole Thermostat	Rated 24 amps @ 120-240 VAC and 22 amps @ 277 VAC. Pilot duty rating of 125 VA (all voltages). 60-120°F temperature range; adjustable through outlet grille-tamper-resistant. (See note B.) Not available on three-phase heaters.
2T	2-Pole Thermostat	Rated 24 amps @ 120-240 VAC and 22 amps @ 277 VAC. Pilot duty rating of 125 VA (all voltages). 60-120°F temperature range; adjustable through outlet grille-tamper-resistant. (See note B for amperage restrictions.)
DS	Power On / Off Switch	Double-pole, rated 20 amp @ 120-277 VAC. (See note A.) For 3Ø heaters and 1Ø heaters over 20 amps specify two.
TR	Transformer Relay	Single-pole, low voltage relay with built-in transformer (24 VAC control), rated 22 amps @ 120-240 VAC and 22 amps @ 277 VAC. (See note E) 17 amps @ 347V, 12 amps @ 600V. Not available for 3Ø heaters.
PR	Power Relay	Single-pole thermal time delay relay, rated 25 amps @ 120-600 VAC. (See Notes E & F). Specify control voltage.
2ST	2-Stage Thermostat	Rated 24 amps @ 120-240 VAC and 22 amps @ 277 VAC. Pilot duty rating of 125 VA (all voltages). 60-120°F temperature range, adjustable through outlet grille-tamper-resistant. Available on 2- or 3-element, single phase heaters only.
PE	Pneumatic/Electric Switch	Pressure set-point @ 10 PSIG adjustable to 30 PSIG. Can be set to "make" or "break" on pressure drop. Rated 25 amps @ 120-277 VAC. (See Note G.)
PDT	1-Pole Thermostat	Same as -T except Pilot Duty. (See note C)
2TPD	2-Pole Thermostat	Same as -2T except Pilot Duty. (See note C & D)
M	Outlet Mesh	Price per foot.

#### NOTES:

- A. For 1Ø loads over 20A and all 3Ø loads, specify 2 power on / off switches.
- B. This control option is not available on single-phase heaters over 24 amps (22 amps on 277 VAC). In combination with the power on / off switch option use the 2ST thermostat option on heaters over 20 amps.
- C. A second transformer relay can be sequenced off the first transformer relay in the same heater. Up to 30 power relays in different heaters can be controlled by one single-stage pilot duty thermostat.
- D. Up to 30 power relays in different heater can be controlled by each stage of a two-stage pilot duty thermostat.
- E. Two relays are required on single-phase heaters over 20 amps with a power on / off switch, over 25 amps without a power on / off and on all three-phase heaters. Two relays are available for two-stage on two or three-element heaters only.
- F. Three power relays are available for three-stage on three-element heaters only.
- G. Fits in SHA unit only. For DBA, PE will be installed in 4-1/2" section.

# SLIMLINE ALUMINUM CONVECTION HEATERS

## DBSL

### APPLICATIONS:

Made to order, slim compact design in a wide range of models, ratings and accessories for use in residential or light commercial settings. Architectural styling is perfect for multifamily homes, condominiums, institutions, retail spaces, restaurants, hotels, offices and similar areas. Approved for residential use.

### FEATURES:

Two piece extruded aluminum housing comes in two styles, front inlet top outlet and bottom inlet top outlet with architectural pedestal mounts. Units can be mounted wall-to-wall or as discrete units in standard lengths of 24 inches to 12 feet. Epoxy powder coat paint colors and color matching (upon request at additional cost) will blend the units with the surrounding decor.

In addition to the standard end caps, available accessories include inside and outside corners, decorative end pieces and blank sections to complete a full length run. Inside and outside corners can be ordered factory cut and mitered to fit difficult or unusual spaces for a custom finished appearance.

Unique "Snap-Lock" closure design secures the one-piece extruded aluminum top and front grille to the one-piece back and bottom. This closure method provides a rapid, secure fit all along the length of the unit.

Standard units are equipped with a built-in wireway (equivalent to 1/2" conduit) with factory-installed wiring which permits multiple heater connections. Units can be ordered either right or left hand entry for easy connection of supply wiring from bottom, rear or end, as well as multiple wiring of adjacent heaters from one entry point.

**Note:** These heaters have been approved for residential and commercial applications.



The bottom inlet unit is only 2-3/4" wide by 6" tall. This model can be mounted to the wall (3" above the floor) or in front of a window application, mounted on pedestals.



The front inlet unit is also 2-3/4" wide by 6" tall. This model can be mounted to the wall or directly to the floor.



Hollow pedestals allow concealed wiring access when stubbed through concrete floors.





**SPECIFICATIONS**

CATALOG NUMBER (See Note 2)	DIMENSIONS (See Note 1) W x H x L	WATT DENSITY	NO. OF ELEMENTS	SHIP WT. (LBS.)
DBSL01	2-3/4" x 6" x 24"	125 W/Ft. ++ 150 W/Ft. +++ 188 W/Ft. + 250 W/Ft. ++++	1	8
DBSL02	2-3/4" x 6" x 28"	100 W/Ft.** 125 W/Ft.* 150 W/Ft.* 188 W/Ft.* 250 W/Ft.**	1	8
DBSL03	2-3/4" x 6" x 3'	100 W/Ft.* 125 W/Ft.** 150 W/Ft.** 188 W/Ft.** 250 W/Ft.**	1	10
DBSL04	2-3/4" x 6" x 4'	100 W/Ft.** 125 W/Ft.** 150 W/Ft.** 188 W/Ft.** 250 W/Ft.**	1	13
DBSL05	2-3/4" x 6" x 5'	100 W/Ft.** 125 W/Ft. 150 W/Ft. 188 W/Ft. 250 W/Ft.	1	17
DBSL06	2-3/4" x 6" x 6'	100 W/Ft. 125 W/Ft. 150 W/Ft. 188 W/Ft. 250 W/Ft.	1	20
DBSL07	2-3/4" x 6" x 7'	100 W/Ft. 125 W/Ft. 150 W/Ft. 188 W/Ft. 250 W/Ft.	1	24
DBSL08	2-3/4" x 6" x 8'	100 W/Ft. 125 W/Ft. 150 W/Ft. 188 W/Ft. 250 W/Ft.	1	27
DBSL09	2-3/4" x 6" x 9'	100 W/Ft. 125 W/Ft. 150 W/Ft. 188 W/Ft. 250 W/Ft.	1	30
DBSL10	2-3/4" x 6" x 10'	100 W/Ft. 125 W/Ft. 150 W/Ft. 188 W/Ft. 250 W/Ft.	1	33

- Cabinet available up to 12' length.
  - Backs are provided standard with no finish. For finished backs, add 10% to List price.
  - Knockouts on back omitted by request only.
  - + Not available in 220V, 347V or 600V.
  - ++ Not available in 120V, 208V, 240V, 277V, 347V or 600V.
  - +++ Not available in 120V, 220V, 277V, 347V or 600V.
  - ++++ Not available in 120V, 220V, 347V or 600V.
  - \*\* Not available in 347V or 600V.
  - \*\* Not available in 600V.
  - ‡ Not available in 277V, 347V, or 600V.
- NOTE: All models are NON-STOCK made-to-order. s ordering, specify quantity, catalog number, voltage, wattage, optional controls, and color. Consult sales representative for lead times.

**BLANK SECTIONS & ACCESSORIES (FOR MODEL ASL CONVECTORS)**

CATALOG NUMBER (See Note 1)	DIMENSIONS W x H x L	INLET	SHIP WT. (LBS.)
SLCBS1F	2-3/4" x 6" x 1'	Front Inlet	4
SLCBS1B		Bottom Inlet	
SLCBS2F	2-3/4" x 6" x 28"	Front Inlet	7
SLCBS2B		Bottom Inlet	
SLCBS3F	2-3/4" x 6" x 3'	Front Inlet	9
SLCBS3B		Bottom Inlet	
SLCBS4F	2-3/4" x 6" x 4'	Front Inlet	12
SLCBS4B		Bottom Inlet	
SLCBS5F	2-3/4" x 6" x 5'	Front Inlet	16
SLCBS5B		Bottom Inlet	
SLCBS6F	2-3/4" x 6" x 6'	Front Inlet	19
SLCBS6B		Bottom Inlet	
SLCBS7F	2-3/4" x 6" x 7'	Front Inlet	22.5
SLCBS7B		Bottom Inlet	
SLCBS8F	2-3/4" x 6" x 8'	Front Inlet	24
SLCBS8B		Bottom Inlet	
SLCBS9F	2-3/4" x 6" x 9'	Front Inlet	27
SLCBS9B		Bottom Inlet	
SLCBS10F	2-3/4" x 6" x 10'	Front Inlet	30
SLCBS10B		Bottom Inlet	

NOTE: Blank section grilles are not punched unless requested.

CATALOG NUMBER*	DESCRIPTION	ADDITIONAL WALL SPACE REQUIRED	SHIP WT. (LBS.)
SLCECL	End Cap - Left	1/8"	1
SLCECR	End Cap - Right	1/8"	1
SLCICF	Inside Corner-Front In	8-1/2"	5
SLCICB	Inside Corner-Bottom In	8-1/2"	5
SLCOCF	Outside Corner-Front In	5"	4
SLCOCB	Outside Corner-Bottom In	5"	4
SLCDESBL	Dec. End Section-Bot. In, Left	9-9/64"	5
SLCDESBR	Dec. End Section-Bot. In, Right	9-9/64"	5
SLCDESFL	Dec. End Section-Fnt. In, Left	9-9/64"	4
SLCDESFR	Dec. End Section-Fnt. In, Right	9-9/64"	4
SLCSP	Splice Plate	0" - 1/4"	1
SLCFL3	Filler Section 3"	0" - 3"	1
SLCFL6	Filler Section 6"	3" - 6"	1
SLCFL9	Filler Section 9"	6" - 9"	1
SLCFL12	Filler Section 12"	9" - 12"	1
SLCFL18	Filler Section 18"	12" - 18"	1.5
SLCFL24	Filler Section 24"	18" - 24"	1.5
SLCDFR	Receptacle Section-Fnt. In	4-1/2"	1.5
SLCDRB	Receptacle Section-Bot. In	4-1/2"	1.5
SLCPEF	Pneu/Ele Sw-Fnt. In	4-1/2"	2
SLCPEB	Pneu/Ele Sw-Bot. In	4-1/2"	2
SLCPK3A**	Architectural Pedestal	-	2
SO1A	Stand-Off Bracket	-	1

- \* Add suffix -P for painted, -C for clear anodized, -B for bronze anodized.  
\*\* One pedestal. Two required on units up to 10', three required on units over 10'.

SUFFIX ADDITION TO BASIC CAT. NO. (SEE NOTE D)	OPTIONAL BUILT-IN CONTROLS	RATINGS
T	1-Pole Thermostat	Rated 24 amps @ 120-240 VAC and 22 amps @ 277 VAC. Pilot duty rating of 125 VA (all voltages). 60-120°F temperature range adjustable through outlet grille-tamper-resistant. (See Note B.)
2T	2-Pole Thermostat	Rated 24 amps @ 120-240 VAC and 22 amps @ 277 VAC. Pilot duty rating of 125 VA (all voltages). 60-120°F temperature range adjustable through outlet grille-tamper-resistant. (See Note B for amperage restrictions.)
DS	Power On / Off Switch	Double-pole, rated 20 amp @ 120-277 VAC. (See Note A.) For heaters over 20 amps specify two.
TR	Transformer Relay	Single-pole, low voltage relay with built-in transformer (24 VAC control), rated 25 amps @ 120-240 VAC and 22 amps @ 277 VAC. (See Note E and F) 17 amps @ 347V, 12 amps @ 600V. Not available for 3Ø heaters.
PR	Power Relay	Single-pole magnetic relay, rated 25 amps @ 120-600 VAC. (See Notes E). Specify control voltage.
PE	Pneumatic / Electric Switch	Pressure set-point @ 10 PSIG adjustable to 30 PSIG. Can be set to "make" or "break" on pressure drop. Rated 25 amps @ 120-277 VAC. (See Note F)
PDT	1-Pole Thermostat	Same as -T except Pilot Duty. (See note C)
R	Receptacle	For built-in or as installed in a control section

- For 1Ø loads over 20A, specify 2 power on / off switches.
- This control option is not available on single-phase heaters over 24 amps (22 amps on 277 VAC). In combination with the power on / off switch option use the 2T thermostat option on heaters over 20 amps.
- Requires PR or TR.
- Up to 30 power relays in different heaters can be controlled by each stage of a two-stage pilot duty thermostat.
- Two relays are required on single-phase heaters over 20 amps with a disconnect switch, over 25 amps without a disconnect switch.
- For ASLC Series the TR (transformer relay) R (Duplex Receptacle) PE (Pneumatic switch) will be installed in separate 4 inch long internal control boxes.

# DRAFT BARRIER HEATERS

## SLQDB



These draft barrier models are only 4 inches tall. These models can be mounted to the wall (2" above the floor) or mounted on pedestals. The maximum wattage available is up to 188 watts per linear foot.

### APPLICATIONS:

Qmark® Draft Barrier Heaters are designed to provide supplementary heat directly under windows where they counteract cold down drafts, minimize condensation and prevent chilly areas from forming at floor level. They permit year-round use of all building space right up to the outside wall. No need to move desks, chairs, tables and people away from the windows in cold weather. The heaters spread a blanket of warm air precisely at the area of greatest heat loss — the windows. Ideal for residential or light commercial applications. Architectural styling is perfect for multifamily homes, condominiums, institutions, retail spaces, restaurants, hotels, offices and similar areas.

### FEATURES:

- Two piece extruded aluminum housing is available in bottom inlet top outlet only and can be mounted directly to the wall or with architectural pedestal mounts. Custom powder coat paint colors or color matching (upon request) will blend the units with the surrounding decor.
- In addition to the standard end caps, available accessories include inside and outside corners, decorative end pieces and blank sections to complete a full length run. Inside and outside corners can be ordered factory cut and mitered to fit difficult or unusual spaces for a custom finished appearance.
- Unique "Snap-Lock" closure design secures the one-piece extruded aluminum top and front grille to the one-piece back and bottom. This closure method provides a rapid, secure fit all along the length of the unit.
- Units can be mounted wall-to-wall or as discrete units in standard lengths of 24 inches to 10 feet. Custom length cabinets are available, up to 12 feet.
- Standard units are equipped with a built-in wireway with factory-installed wiring which permits multiple heater connections.
- Units are designed for either right or left hand entry for easy connection of supply wiring from bottom, rear or end, as well as multiple wiring of adjacent heaters from one entry point.

**Note:** These heaters have been approved for residential use and commercial use applications.

**SPECIFICATIONS**

CATALOG NUMBER (See Note 2)	DIMENSIONS (See Note 1) W x H x L	WATT DENSITY	NO. OF ELEMENTS	SHIP WT. (LBS.)
SLQDB024	2-5/8" x 4" x 24"	100 W/Ft. ‡ 125 W/Ft. * 150 W/Ft. * 188 W/Ft. *	1	8
SLQDB028	2-5/8" x 4" x 28"	100 W/Ft. ‡ 125 W/Ft. * 150 W/Ft. * 188 W/Ft. *	1	8
SLQDB03	2-5/8" x 4" x 3'	100 W/Ft. * 125 W/Ft. ** 150 W/Ft. ** 188 W/Ft. **	1	10
SLQDB04	2-5/8" x 4" x 4'	100 W/Ft. ** 125 W/Ft. ** 150 W/Ft. ** 188 W/Ft. **	1	13
SLQDB05	2-5/8" x 4" x 5'	100 W/Ft. ** 125 W/Ft. * 150 W/Ft. ** 188 W/Ft. **	1	17
SLQDB06	2-5/8" x 4" x 6'	100 W/Ft. * 125 W/Ft. * 150 W/Ft. * 188 W/Ft. *	1	20
SLQDB07	2-5/8" x 4" x 7'	100 W/Ft. * 125 W/Ft. * 150 W/Ft. * 188 W/Ft. *	1	24
SLQDB08	2-5/8" x 4" x 8'	100 W/Ft. * 125 W/Ft. * 150 W/Ft. * 188 W/Ft. *	1	27
SLQDB09	2-5/8" x 4" x 9'	100 W/Ft. * 125 W/Ft. * 150 W/Ft. * 188 W/Ft. *	1	30
SLQDB10	2-5/8" x 4" x 10'	100 W/Ft. * 125 W/Ft. * 150 W/Ft. * 188 W/Ft. *	1	33

- Cabinet available up to 12' length. Custom length cabinets are priced with heater and blank to the next larger size.
  - Backs are provided standard with no finish. For finished backs, add 10% to List price.
  - Knockouts on back omitted by request only.
- \* Not available in 347V or 600V.  
\*\* Not available in 600V.  
‡ Not available in 277V, 347V, or 600V.  
NOTE: All models are NON-STOCK made-to-order. When ordering, specify quantity, catalog number, voltage, wattage, optional controls, and color. Consult sales representative for lead times.

**BLANK SECTIONS & ACCESSORIES (FOR MODEL SLDB DRAFT BARRIER CONVECTORS)**

CATALOG NUMBER (See Note 2)	DIMENSIONS (See Note 1) W x H x L	SHIP WT. (LBS.)
SLDBS1B	2-5/8" x 4" x 1'	4
SLDBS2B	2-5/8" x 4" x 28"	7
SLDBS3B	2-5/8" x 4" x 3'	9
SLDBS4B	2-5/8" x 4" x 4'	12
SLDBS5B	2-5/8" x 4" x 5'	16
SLDBS6B	2-5/8" x 4" x 6'	19
SLDBS7B	2-5/8" x 4" x 7'	22.5
SLDBS8B	2-5/8" x 4" x 8'	24
SLDBS9B	2-5/8" x 4" x 9'	27
SLDBS10B	2-5/8" x 4" x 10'	30

NOTE: Blank section grilles are not punched unless requested.

CATALOG NUMBER*	DESCRIPTION	ADDITIONAL WALL SPACE REQUIRED	SHIP WT. (LBS.)
SLDECL	End Cap - Left	1/8"	1
SLDECR	End Cap - Right		
SLDICB	Inside Corner-Bottom In	8-1/2"	5
SLDOCB	Outside Corner-Bottom In	5"	4
SLD135ICB	135° Inside Corner-Bottom In	8-1/2"	5
SLD135OCB	135° Outside Corner-Bottom In	5"	4
SLDSP	Splice Plate	0" - 1/4"	1
SLDFL3	Filler Section 3"	0" - 3"	1
SLDFL6	Filler Section 6"	3" - 6"	1
SLDFL9	Filler Section 9"	6" - 9"	1
SLDFL12	Filler Section 12"	9" - 12"	1
SLDFL18	Filler Section 18"	12" - 18"	1.5
SLDFL24	Filler Section 24"	18" - 24"	1.5
SLDDR	Receptacle Section-Bottom In (Must use 1 ft. blank section.)	12"	
SLDPK3A **	Architectural Pedestal	-	2
SO1A	Stand-Off Bracket	-	1

- N/A - Not Available.  
\* Add suffix -P for painted, -C for clear anodized, -B for bronze anodized (excludes PK3S - Black only).  
\*\* One pedestal. Two required on units up to 10', three required on units over 10'.  
† Color Code: Place the following letter at the end of the catalog number for color selection for end caps and pedestals.  
A=Aluminum  
B=Black  
C=Clear Anodized  
G=Charcoal Grey  
K=Black Anodized  
M=Mill Finish  
N=Neutral Grey  
P=Navajo White  
S=Stat Bronze  
T=Desert Tan  
W=Northern White  
Z=Bronze Anodized

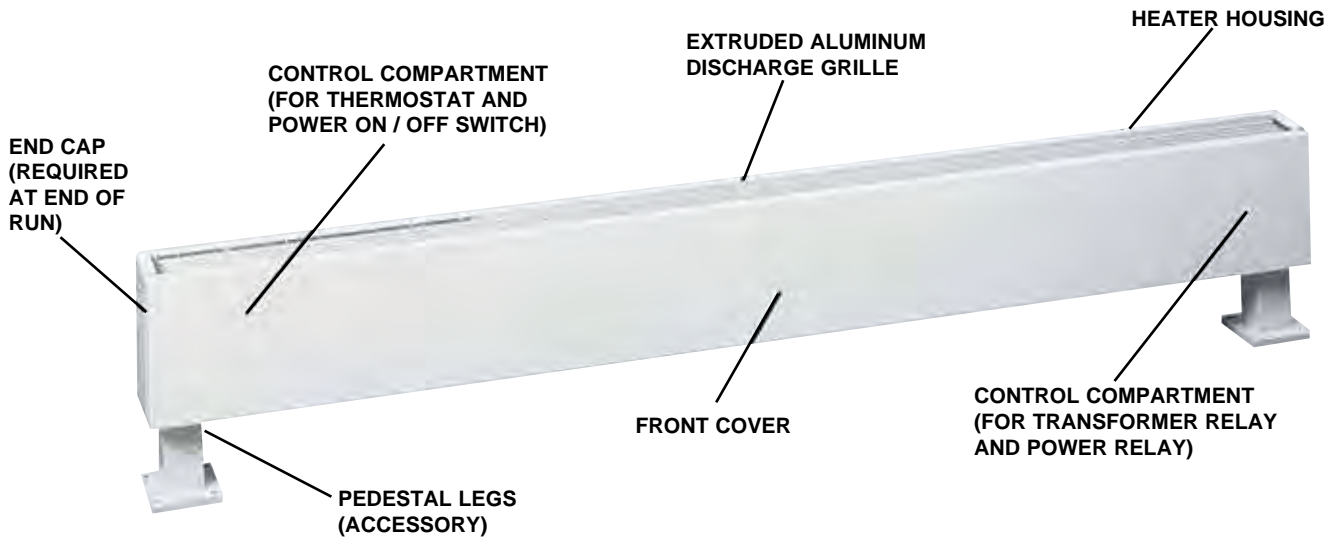
**OPTIONAL BUILT-IN CONTROLS (FOR DRAFT BARRIER CONVECTORS)**

SUFFIX ADDITION TO BASIC CAT. NO.	OPTIONAL BUILT-IN CONTROLS	RATINGS
T	1-Pole Thermostat	Rated 24 amps @ 120-240 VAC and 22 amps @ 277 VAC. Pilot duty rating of 125 VA (all voltages). 60-120°F temperature range adjustable through outlet grille-tamper-resistant. (See Note B.) Not available on three-phase heaters.
DS	Power On / Off Switch	Double-pole, rated 20 amp @ 120-277 VAC. (See Note A.) For 3Ø heaters and 1Ø heaters over 20 amps specify two.

- A. For 1Ø loads over 20A and all 3Ø loads, specify 2 power on / off switches.  
B. This control option is not available on single-phase heaters over 24 amps (22 amps on 277 VAC).

# DECORATIVE & COMMERCIAL PEDESTAL HEATERS

## CPH



### APPLICATIONS:

CPH Series units are ideal for high traffic areas with high heat needs where wall mounted units are not appropriate such as air, rail or bus terminals, corridors, lobbies, foyers, auditoriums, etc. These are not intended for residential applications. They can be mounted singly, in lengths from 28 inches to 10 feet, or joined end-to-end for complete perimeter heating. They are ruggedly built to withstand years of hard usage in public and commercial buildings.

### FEATURES:

**Variable Heat Output** - Depending on the requirements of the space being heated, the CPH units may contain one to three heating elements that yield a broad range of heating capacity from 125 watts per foot (426 BTU per hour per foot) to 750 watts per foot (2560 BTU per hour per foot).

**Rugged Construction** - The front cover is constructed of 16 gauge steel with 14 gauge being optional. Also available is optional 1/4-inch mesh located under the discharge grille to deter the insertion of objects into the unit.

**Multiple Cabinet Sizes** - The CPH is available in two cabinet sizes. This provides heating flexibility as well as styling flexibility.

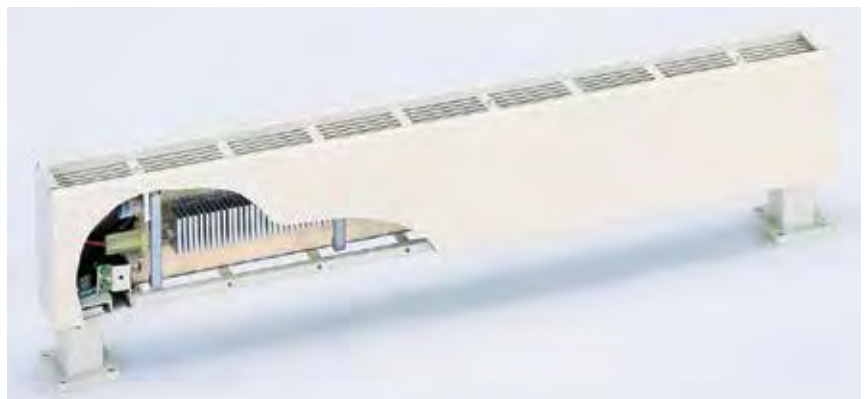
**Pre-wired Junction Boxes** - Each unit has identical pre-wired junction boxes at either end of the unit to permit power supply entry and connection flexibility. Each unit has a wireway with factory installed wiring rated 35 amps for the CPH05 and 45 amps for the CPH07, eliminating the need to fish additional wires for multiple unit hook-up.

**Optional Controls** - Each unit has available a selection of optional built-in controls that include a single pole or double pole line voltage thermostat, power on / off switch, power relay, or transformer relay.

**Accessories** - A full line of accessories is designed for the CHS Series is filed adaptable for the CPH Series unit. This includes filler sections and corner sections. End caps are required to close off the junction box on all installations where the end of the unit does not mate with another unit.

**Finishes** - Eight standard painted colors plus grey primer are available. Custom color matching is also available for a nominal color matching charge.

**NOTE:** These products are Made-to-order and cannot be returned.



# DECORATIVE & COMMERCIAL PEDESTAL HEATERS

## CPH



Cat. No. CPH Decorative Sill Height Convectors (5" Height, 3" Depth, One Element)												
CATALOG NUMBER	LENGTH "L"	NOMINAL WATTS PER FT.	TOTAL HEATING CAPACITY		AMPERAGE						SHIP NO. OF ELEMENTS	SHIP WT. (LBS.)
			TOTAL WATTS	BTU/HR.	120V	208V	240V	277V	347V	600V		
CPH05A2125	28" (711mm)	125	250	853	2.1	1.2	1.0	0.9	0.7	0.4	1	11
CPH05A2188		188	375	1280	3.1	1.8	1.6	1.4	1.1	0.6		
CPH05A2250		250*	500	1706	4.2	2.4	2.1	1.8	1.4	0.8		
CPH05A3125	3' (914mm)	125	375	1280	3.1	1.8	1.6	1.4	1.1	0.6	1	15
CPH05A3188		188	546	1925	4.7	2.7	2.4	2.0	1.6	0.9		
CPH05A3250		250*	750	2560	6.2	3.6	3.1	2.7	2.2	1.2		
CPH05A4125	4' (1219mm)	125	500	1706	4.2	2.4	2.1	1.8	1.4	0.8	1	18
CPH05A4188		188	750	2560	6.2	3.6	3.1	2.7	2.2	1.2		
CPH05A4250		250*	1000	3412	8.3	4.8	4.2	3.6	2.9	1.7		
CPH05A5125	5' (1524mm)	125	625	2133	5.2	3.0	2.6	2.3	1.8	1.0	1	25
CPH05A5188		188	940	3208	7.8	4.5	3.9	3.4	2.7	1.6		
CPH05A5250		250*	1250	4266	10.4	6.0	5.2	4.5	3.6	2.1		
CPH05A6125	6' (1829mm)	125	750	2560	6.2	3.6	3.1	2.7	2.2	1.2	1	29
CPH05A6188		188	1125	3840	9.4	5.4	4.7	4.1	3.2	1.9		
CPH05A6250		250*	1500	5120	12.5	7.2	6.3	5.4	4.3	2.5		
CPH05A8125	8' (2438mm)	125	1000	3412		4.8	4.2	3.6	2.8	1.7	1	38
CPH05A8188		188	1500	5120		7.2	6.3	5.4	4.3	2.5		
CPH05A8250		250*	2000	6824		9.6	8.3	7.2	5.8	3.3		
CPH05A10125	10' (3048mm)	125	1250	4266		6.0	5.2	4.5	3.6	2.1	1	47
CPH05A10188		188	1875	6400		9.0	7.8	6.8	5.4	3.1		
CPH05A10250		250*	2500	8532		12.0	10.4	9.0	7.2	4.2		

Cat. No. CPH Decorative Sill Height Convectors (7" Height, 5" Depth)														
CATALOG NUMBER	LENGTH "L"	NOMINAL WATTS PER FT.	TOTAL HEATING CAPACITY		AMPERAGE								SHIP NO. OF ELEMENTS	SHIP WT. (LBS.)
			TOTAL WATTS	BTU/HR.	208V		240V		277V	347V	600V			
					10	30	10	30	10	10	10	30		
CPH07A2125	28" (711mm)	125	250	853	1.2	-	1.0	-	0.9	0.7	0.4	-	1	18
CPH07A2188		188	375	1280	1.8	-	1.6	-	1.4	1.1	0.6	-		
CPH07A2250		250	500	1706	2.4	-	2.1	-	1.8	1.4	0.8	-		
CPH07A2375	28" (711mm)	375	750	2560	3.6	-	3.1	-	2.7	2.2	1.2	-	2	18
CPH07A2500		500	1000	3412	4.8	-	4.2	-	3.6	2.9	1.7	-		
CPH07A2564		564	1125	3840	5.4	3.1	4.7	2.7	4.1	3.2	1.9	1.1		
CPH07A2625	28" (711mm)	625	1250	4266	6.0	3.5	5.2	3.0	4.5	3.6	2.1	1.2	3	18
CPH07A2750		750	1500	5120	7.2	4.2	6.3	3.6	5.4	4.3	2.5	1.4		
CPH07A3125		125	375	1280	1.8	-	1.6	-	1.4	1.1	0.6	-		
CPH07A3188	3' (914mm)	188	564	1925	2.7	-	2.4	-	2.0	1.6	0.9	-	1	22
CPH07A3250		250	750	2560	3.6	-	3.1	-	2.7	2.2	1.2	-		
CPH07A3375		375	1125	3840	5.4	-	4.7	-	4.1	3.2	1.9	-		
CPH07A3500	3' (914mm)	500	1500	5120	7.2	-	6.3	-	5.4	4.3	2.5	-	2	22
CPH07A3564		564	1690	5768	8.1	4.7	7.0	4.1	6.1	4.8	2.8	1.6		
CPH07A3625		625	1875	6400	9.0	5.2	7.8	4.5	6.8	5.4	3.1	1.8		
CPH07A3750	3' (914mm)	750	2250	7680	10.8	6.3	9.4	5.4	8.1	6.5	3.7	2.1	3	22
CPH07A4125		125	500	1706	2.4	-	2.1	-	1.8	1.4	0.8	-		
CPH07A4188		188	750	2560	3.6	-	3.1	-	2.7	2.2	1.2	-		
CPH07A4250	4' (1219mm)	250	1000	3412	4.8	-	4.2	-	3.6	2.9	1.7	-	1	29
CPH07A4375		375	1500	5120	7.2	-	6.3	-	5.4	4.3	2.5	-		
CPH07A4500		500	2000	6824	9.6	-	8.3	-	7.2	5.8	3.3	-		
CPH07A4564	4' (1219mm)	564	2250	7680	10.8	6.3	9.4	5.4	8.1	6.5	3.7	2.1	3	29
CPH07A4625		625	2500	8532	12.0	7.0	10.4	6.0	9.0	7.2	4.2	2.4		
CPH07A4750		750	3000	10239	14.4	8.3	12.5	7.2	10.8	8.6	5.0	2.9		
CPH07A5125	5' (1524mm)	125	624	2133	3.0	-	2.6	-	2.3	1.8	1.0	-	1	37
CPH07A5188		188	940	3208	4.5	-	3.9	-	3.4	2.7	1.6	-		
CPH07A5250		250	1250	4266	6.0	-	5.2	-	4.5	3.6	2.1	-		
CPH07A5375	5' (1524mm)	375	1875	6400	9.0	-	7.8	-	6.8	5.4	3.1	-	2	37
CPH07A5500		500	2500	8532	12.0	-	10.4	-	9.0	7.2	4.2	-		
CPH07A5564		564	2820	9625	13.6	7.8	11.8	6.8	10.2	8.1	4.7	2.7		
CPH07A5625	5' (1524mm)	625	3125	10665	15.0	8.7	13.0	7.5	11.3	9.0	5.2	3.0	3	37
CPH07A5750		750	3750	12800	18.0	10.4	15.6	9.0	13.5	10.8	6.2	3.6		

NOTE: All models are NON-STOCK made-to-order. When ordering, specify quantity, catalog number, voltage, wattage, optional controls, and color. Consult sales representative for lead times.

Available as front inlet or bottom inlet.  
Optional controls on page 67.

# DECORATIVE & COMMERCIAL PEDESTAL HEATERS

## CPH

### Cat. No. CPH Decorative Sill Height Convectors (7" Height, 5" Depth) (cont.)

CATALOG NUMBER	LENGTH "L"	NOMINAL WATTS PER FT.	TOTAL HEATING CAPACITY		AMPERAGE								SHIP NO. OF ELEMENTS	SHIP WT. (LBS.)		
			TOTAL WATTS	BTU/ HR.	208V		240V		277V	347V	600V					
					10	30	10	30	10	10	10	30				
CPH07A6125	6 ft.	125	750	2560	3.6	-	3.1	-	2.7	2.2	1.2	-	1	44		
CPH07A6188		188	1125	3840	5.4	-	4.7	-	4.1	3.2	1.9	-				
CPH07A6250		250	1500	5120	7.2	-	6.3	-	5.4	4.3	2.5	-				
CPH07A6375		500	375	2250	7680	10.8	-	9.4	-	8.1	6.5	3.7	-		2	
CPH07A6500			500	3000	10,239	14.4	-	12.5	-	10.8	8.6	5.0	-			
CPH07A6564			564	3380	11,535	16.3	9.4	14.1	8.1	12.2	9.7	5.6	3.2			
CPH07A6625		625	625	3750	12,800	18.0	10.4	15.6	9.0	13.5	10.8	6.2	3.6		3	
CPH07A6750			750	4500	15,358	21.6	12.5	18.8	10.8	16.2	12.9	7.5	4.3			
CPH07A8125			125	1000	3412	4.8	-	4.2	-	3.6	2.9	1.7	-			
CPH07A8188	8 ft.	188	1500	5120	7.2	-	6.3	-	5.4	4.3	2.5	-	1	58		
CPH07A8250		250	2000	6824	9.6	-	8.3	-	7.2	5.8	3.3	-				
CSLAM8375		375	3000	10,239	14.4	-	12.5	-	10.8	8.6	5.0	-			2	
CSLAM8500		500	4000	13,652	19.2	-	16.7	-	14.4	11.5	6.7	-				
CSLAM8564		564	4500	15,358	21.6	12.5	18.8	10.8	16.2	13.0	7.5	4.3	3			
CSLAM8625		625	5000	17,065	24.0	13.9	20.8	12.0	18.1	14.4	8.3	4.8				
CSLAM8750		750	6000	20,478	28.8	16.7	25.0	14.5	21.7	17.3	10.0	5.8				
CSLAM10125		10 ft.	125	1250	4266	6.0	-	5.2	-	4.5	3.6	2.1	-		1	72
CSLAM10188			188	1875	6400	9.0	-	7.8	-	6.8	5.4	3.1	-			
CSLAM10250	250		2500	8532	12.0	-	10.4	-	9.0	7.2	4.2	-				
CSLAM10375	375		375	3750	12,800	18.0	-	15.6	-	13.5	10.8	6.2	-	2		
CSLAM10500			500	5000	17,065	24.0	-	20.8	-	18.1	14.4	8.3	-			
CSLAM10564			564	5640	19,250	27.1	15.7	23.5	13.6	20.4	16.2	9.4	5.4			
CSLAM10625	625		625	6250	21,330	30.0	17.4	26.0	15.0	22.6	18.0	10.4	6.0	3		
CSLAM10750			750	7500	25,600	36.1	20.8	31.3	18.1	27.1	21.6	12.5	7.2			

### CPH Commercial Pedestal Convector Accessories

CATALOG NUMBER	DESCRIPTION	USE WITH	SHIP WT. (LBS.)
CPH05BL21	28-Inch Blank Section.	CPH05A Heaters.	10
CPH05BL31	3-Foot Blank Section.		13
CPH05BL41	4-Foot Blank Section.		17
CPH05BL51	5 Foot Blank Section.		21
CPH05BL61	6-Foot Blank Section.		25
CPH05BL81	8-Foot Blank Section.	CPH05A Heaters.	32
CPH05BL101	10-Foot Blank Section.		42
CPH05BL21	28-Inch Blank Section.		CPH07A Heaters.
CPH05BL31	3-Foot Blank Section.	18	
CPH05BL41	4-Foot Blank Section.	24	
CPH05BL51	5 Foot Blank Section.	30	
CPH05BL61	6-Foot Blank Section.	36	
CPH05BL81	8-Foot Blank Section.	CPH07A Heaters.	48
CPH05BL101	10-Foot Blank Section.		60
PHB052	Pedestal Leg Kit for 2, 3 & 4 ft. units.		Legs <b>MUST</b> be ordered with CPH05A Heaters/Blanks.
PHB053	Pedestal Leg Kit for 5, 6 & 8 ft. units.	4	
PHB054	Pedestal Leg Kit for 10 ft. unit.	5	
PHB072	Pedestal Leg Kit for 2, 3 & 4 ft. units.	Legs <b>MUST</b> be ordered with CPH07A Heaters/Blanks.	4
PHB073	Pedestal Leg Kit for 5, 6 & 8 ft. units.		5
PHB074	Pedestal Leg Kit for 10 ft. unit.		7
CSH05ECCR	Right Hand End Cap.	CPH05A/07A Heaters/Blanks.	1
CSH07ECCR	Right Hand End Cap.		
CSH05ECL	Left Hand End Cap.	CPH05A/07A Heaters/Blanks.	1
CSH07ECL	Left Hand End Cap.		

### NOTES:

- If color is not specified, front covers will be neutral grey. Back, grille, and accessories will be statutory bronze.
- When ordering, specify heater Catalog No., voltage, phase, suffix Catalog No. for built-in controls, color, and options.
- Specify color for pedestal legs.

### OPTIONS

Controls—Built-in: see page 67 .

Outlet Mesh—Price per ft.  
14-Gauge Front Cover-add 10% to heater price.  
Standard color included in base price.  
Other colors available. See paint policy; page 35.

# DECORATIVE & COMMERCIAL PEDESTAL HEATERS

## CPH

### Cat. No. CPH

#### Decorative Sill Height Convectors (5" Height, 3" Depth, One Element)

CATALOG NUMBER	LENGTH "L"	NOMINAL WATTS PER FT.	TOTAL HEATING CAPACITY		AMPERAGE						SHIP NO. OF ELEMENTS	SHIP WT. (LBS.)
			TOTAL WATTS	BTU/ HR.	120V	208V	240V	277V	347V	600V		
CPH05A2125 CPH05A2188 CCPH05A2250	28" (711mm)	125 188 250*	250 375 500	853 1280 1706	2.1 3.1 4.2	1.2 1.8 2.4	1.0 1.6 2.1	0.9 1.4 1.8	0.7 1.1 1.4	0.4 0.6 0.8	1	11
CPH05A3125 CPH05A3188 CPH05A3250	3' (914mm)	125 188 250*	375 546 750	1280 1925 2560	3.1 4.7 6.2	1.8 2.7 3.6	1.6 2.4 3.1	1.4 2.0 2.7	1.1 1.6 2.2	0.6 0.9 1.2	1	15
CPH05A4125 CPH05A4188 CPH05A4250	4' (1219mm)	125 188 250*	500 750 1000	1706 2560 3412	4.2 6.2 8.3	2.4 3.6 4.8	2.1 3.1 4.2	1.8 2.7 3.6	1.4 2.2 2.9	0.8 1.2 1.7	1	18
CPH05A5125 CPH05A5188 CPH05A5250	5' (1524mm)	125 188 250*	625 940 1250	2133 3208 4266	5.2 7.8 10.4	3.0 4.5 6.0	2.6 3.9 5.2	2.3 3.4 4.5	1.8 2.7 3.6	1.0 1.6 2.1	1	25
CPH05A6125 CPH05A6188 CPH05A6250	6' (1829mm)	125 188 250*	750 1125 1500	2560 3840 5120	6.2 9.4 12.5	3.6 5.4 7.2	3.1 4.7 6.3	2.7 4.1 5.4	2.2 3.2 4.3	1.2 1.9 2.5	1	29
CPH05A8125 CPH05A8188 CPH05A8250	8' (2438mm)	125 188 250*	1000 1500 2000	3412 5120 6824		4.8 7.2 9.6	4.2 6.3 8.3	3.6 5.4 7.2	2.8 4.3 5.8	1.7 2.5 3.3	1	38
CPH05A10125 CPH05A10188 CPH05A10250	10' (3048mm)	125 188 250*	1250 1875 2500	4266 6400 8532		6.0 9.0 12.0	5.2 7.8 10.4	4.5 6.8 9.0	3.6 5.4 7.2	2.1 3.1 4.2	1	47

### Cat. No. CPH

#### Decorative Sill Height Convectors (7" Height, 5" Depth)

CATALOG NUMBER	LENGTH "L"	NOMINAL WATTS PER FT.	TOTAL HEATING CAPACITY		AMPERAGE								SHIP NO. OF ELEMENTS	SHIP WT. (LBS.)	
			TOTAL WATTS	BTU/ HR.	208V		240V		277V	347V		600V			
					10	30	10	30	10	10	10	30			
CPH07A2125 CPH07A2188 CPH07A2250	28" (711mm)	125 188 250	250 375 500	853 1280 1706	1.2 1.8 2.4	- - -	1.0 1.6 2.1	- - -	0.9 1.4 1.8	0.7 1.1 1.4	0.4 0.6 0.8	- - -	1	18	
CPH07A2375 CPH07A2500		375 500	750 1000	2560 3412	3.6 4.8	- -	3.1 4.2	- -	2.7 3.6	2.2 2.9	1.2 1.7	- -	2		
CPH07A2564 CPH07A2625 CPH07A2750		564 625 750	1125 1250 1500	3840 4266 5120	5.4 6.0 7.2	3.1 3.5 4.2	4.7 5.2 6.3	2.7 3.0 3.6	4.1 4.5 5.4	3.2 3.6 4.3	1.9 2.1 2.5	1.1 1.2 1.4	- - -		3
CPH07A3125 CPH07A3188 CPH07A3250	3' (914mm)	125 188 250	375 564 750	1280 1925 2560	1.8 2.7 3.6	- - -	1.6 2.4 3.1	- - -	1.4 2.0 2.7	1.1 1.6 2.2	0.6 0.9 1.2	- - -	1	22	
CPH07A3375 CPH07A3500		375 500	1125 1500	3840 5120	5.4 7.2	- -	4.7 6.3	- -	4.1 5.4	3.2 4.3	1.9 2.5	- -	2		
CPH07A3564 CPH07A3625 CPH07A3750		564 625 750	1690 1875 2250	5768 6400 7680	8.1 9.0 10.8	4.7 5.2 6.3	7.0 7.8 9.4	4.1 4.5 5.4	6.1 6.8 8.1	4.8 5.4 6.5	2.8 3.1 3.7	1.6 1.8 2.1	- - -		3
CPH07A4125 CPH07A4188 CPH07A4250	4' (1219mm)	125 188 250	500 750 1000	1706 2560 3412	2.4 3.6 4.8	- - -	2.1 3.1 4.2	- - -	1.8 2.7 3.6	1.4 2.2 2.9	0.8 1.2 1.7	- - -	1	29	
CPH07A4375 CPH07A4500		375 500	1500 2000	5120 6824	7.2 9.6	- -	6.3 8.3	- -	5.4 7.2	4.3 5.8	2.5 3.3	- -	2		
CPH07A4564 CPH07A4625 CPH07A4750		564 625 750	2250 2500 3000	7680 8532 10239	10.8 12.0 14.4	6.3 7.0 8.3	9.4 10.4 12.5	5.4 6.0 7.2	8.1 9.0 10.8	6.5 7.2 8.6	3.7 4.2 5.0	2.1 2.4 2.9	- - -		3
CPH07A5125 CPH07A5188 CPH07A5250	5' (1524mm)	125 188 250	624 940 1250	2133 3208 4266	3.0 4.5 6.0	- - -	2.6 3.9 5.2	- - -	2.3 3.4 4.5	1.8 2.7 3.6	1.0 1.6 2.1	- - -	1	37	
CPH07A5375 CPH07A5500		375 500	1875 2500	6400 8532	9.0 12.0	- -	7.8 10.4	- -	6.8 9.0	5.4 7.2	3.1 4.2	- -	2		
CPH07A5564 CPH07A5625 CPH07A5750		564 625 750	2820 3125 3750	9625 10665 12800	13.6 15.0 18.0	7.8 8.7 10.4	11.8 13.0 15.6	6.8 7.5 9.0	10.2 11.3 13.5	8.1 9.0 10.8	4.7 5.2 6.2	2.7 3.0 3.6	- - -		3

NOTE: All models are NON-STOCK made-to-order. When ordering, specify quantity, catalog number, voltage, wattage, optional controls, and color. Consult sales representative for lead times.

Available as front inlet or bottom inlet.  
Optional controls on page 67.

# DECORATIVE & COMMERCIAL PEDESTAL HEATERS

## DPH



CATALOG NUMBER	LENGTH "L"	NOMINAL WATTS PER FT.	TOTAL HEATING CAPACITY		AMPERAGE								SHIP NO. OF ELEMENTS	SHIP WT. (LBS.)
			TOTAL WATTS	BTU/HR.	208V		240V		277V	347V	600V			
					10	30	10	30	10	10	10	30		
<b>7" H x 5" D (Cont.)</b>														
DPH07A6125	6 ft.	125	750	2560	3.6	-	3.1	-	2.7	2.2	1.2	-	1	44
DPH07A6188		188	1125	3840	5.4	-	4.7	-	4.1	3.2	1.9	-		
DPH07A6250		250	1500	5120	7.2	-	6.3	-	5.4	4.3	2.5	-		
DPH07A6375		375	2250	7680	10.8	-	9.4	-	8.1	6.5	3.7	-		
DPH07A6500		500	3000	10,239	14.4	-	12.5	-	10.8	8.6	5.0	-		
DPH07A6564	8 ft.	564	3380	11,535	16.3	9.4	14.1	8.1	12.2	9.7	5.6	3.2	3	58
DPH07A6625		625	3750	12,800	18.0	10.4	15.6	9.0	13.5	10.8	6.2	3.6		
DPH07A6750		750	4500	15,358	21.6	12.5	18.8	10.8	16.2	12.9	7.5	4.3		
DPH07A8125		125	1000	3412	4.8	-	4.2	-	3.6	2.9	1.7	-		
DPH07A8188		188	1500	5120	7.2	-	6.3	-	5.4	4.3	2.5	-		
DPH07A8250	250	2000	6824	9.6	-	8.3	-	7.2	5.8	3.3	-			
DPH07A8375	10 ft.	375	3000	10,239	14.4	-	12.5	-	10.8	8.6	5.0	-	2	72
DPH07A8500		500	4000	13,652	19.2	-	16.7	-	14.4	11.5	6.7	-		
DPH07A8564		564	4500	15,358	21.6	12.5	18.8	10.8	16.2	13.0	7.5	4.3		
DPH07A8625		625	5000	17,065	24.0	13.9	20.8	12.0	18.1	14.4	8.3	4.8		
DPH07A8750		750	6000	20,478	28.8	16.7	25.0	14.5	21.7	17.3	10.0	5.8		
DPH07A10125	10 ft.	125	1250	4266	6.0	-	5.2	-	4.5	3.6	2.1	-	1	72
DPH07A10188		188	1875	6400	9.0	-	7.8	-	6.8	5.4	3.1	-		
DPH07A10250		250	2500	8532	12.0	-	10.4	-	9.0	7.2	4.2	-		
DPH07A10375		375	3750	12,800	18.0	-	15.6	-	13.5	10.8	6.2	-		
DPH07A10500		500	5000	17,065	24.0	-	20.8	-	18.1	14.4	8.3	-		
DPH07A10564	10 ft.	564	5640	19,250	27.1	15.7	23.5	13.6	20.4	16.2	9.4	5.4	3	72
DPH07A10625		625	6250	21,330	30.0	17.4	26.0	15.0	22.6	18.0	10.4	6.0		
DPH07A10750		750	7500	25,600	36.1	20.8	31.3	18.1	27.1	21.6	12.5	7.2		

### DPH COMMERCIAL PEDESTAL CONVECTOR ACCESSORIES

CATALOG NUMBER	DESCRIPTION	USE WITH	SHIP WT. (LBS.)
DPH05BL21	28-Inch Blank Section	DPH05A Heaters	10
DPH05BL31	3-Foot Blank Section		13
DPH05BL41	4-Foot Blank Section		17
DPH05BL51	5 Foot Blank Section		21
DPH05BL61	6-Foot Blank Section		25
DPH05BL81	8-Foot Blank Section	DPH05A Heaters	32
DPH05BL101	10-Foot Blank Section		42
DPH05BL21	28-Inch Blank Section		DPH07A Heaters
DPH05BL31	3-Foot Blank Section	18	
DPH05BL41	4-Foot Blank Section	24	
DPH05BL51	5 Foot Blank Section	30	
DPH05BL61	6-Foot Blank Section	36	
DPH05BL81	8-Foot Blank Section	DPH07A Heaters	48
DPH05BL101	10-Foot Blank Section		60
PHB052	Pedestal Leg Kit for 2, 3 & 4 ft. units		Legs <b>MUST</b> be ordered with DPH05A Heaters/Blanks
PHB053	Pedestal Leg Kit for 5, 6 & 8 ft. units	4	
PHB054	Pedestal Leg Kit for 10 ft. unit	5	
PHB072	Pedestal Leg Kit for 2, 3 & 4 ft. units	Legs <b>MUST</b> be ordered with DPH07A Heaters/Blanks	4
PHB073	Pedestal Leg Kit for 5, 6 & 8 ft. units		5
PHB074	Pedestal Leg Kit for 10 ft. unit		7
DSH05ECR	Right Hand End Cap	DPH05/07A Heaters/Blanks	1
DSH05ECL	Left Hand End Cap		
DSH05ECL	Left Hand End Cap	DPH05/07A Heaters/Blanks	1
DSH05ECL	Left Hand End Cap		

### NOTES:

1. If color is not specified, front covers will be neutral grey. Back, grille, and accessories will be statuary bronze.
2. When ordering, specify heater Catalog No., voltage, phase, suffix Catalog No. for built-in controls, color, and options.
3. Specify color for pedestal legs.

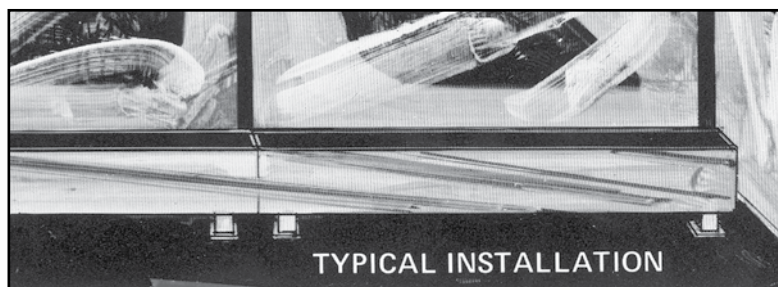
### OPTIONS

Controls-Built-in: see page 67 .

Outlet Mesh-Price per ft.  
 14-Gauge Front Cover-add 10% to heater price.  
 Standard color included in base price.  
 Other colors available. See paint policy; page 35.

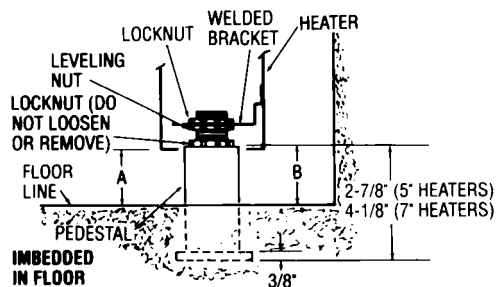
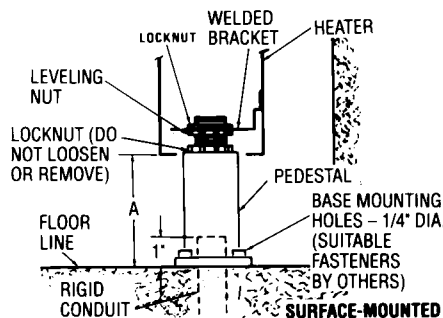


# DECORATIVE & COMMERCIAL PEDESTAL HEATERS



Heater Capacity (Watt/ Ft. Heater Length)	Heater Dimension "A" (Minimum Mounting Height Above Floor)	Pedestal Dimension "B" (Minimum Height Above Floor)
125, 188 and 250 Watts/Ft.	Watts/Ft. 1-3/4"	2
375, 500, 564, 625 and 750	3"	3-1/4"

Heater Catalog Number	Height Above Floor (Dim. A)	
	Min.	Max.
CPLAS	2-5/8"	3-3/8"
CPLAM	3-7/8"	4-5/8"



## ACCESSORIES

CATALOG NUMBER	USE WITH	DIMENSIONS (INCHES)			
		H	D	L	X*

### LEFT END CAPS

CSH05ECL**	CPH05A	5-1/2	2-1/2		
CSH07ECL**	CPH07A	7	4-3/4		1/8
DSH05ECL**	DPH05A	5-1/2	2-1/2		
DSH07ECL**	DPH07A	7	4-3/4		

### RIGHT END CAPS

CSH05ECR**	CPH05A	5-1/2	2-1/2		
CSH07ECR**	CPH07A	7	4-3/4		1/8
DSH05ECR**	DPH05A	5-1/2	2-1/2		
DSH07ECR**	DPH07A	7	4-3/4		

### PEDESTAL LEGS (FOR CPH05 AND DPH05 HEATERS)

PHB052**	2', 3', & 4' heaters and blank sections
PHB053**	5', 6', & 8' heaters and blank sections
PHB054**	10' heaters and blank sections

### PEDESTAL LEGS (FOR CPH07 AND DPH07 HEATERS)

PHB072**	2', 3', & 4' heaters and blank sections
PHB073**	5', 6', & 8' heaters and blank sections
PHB074**	10' heaters and blank sections

### BLANK SECTIONS (CPH05)

CPH05BL21				28	28
CPH05BL31				36	36
CPH05BL41				48	48
CPH05BL51	CPH05	5-1/2	3	60	60
CPH05BL61				72	72
CPH05BL81				96	96
CPH05BL101				120	120

### BLANK SECTIONS (CPH07)

CPH07BL21				28	28
CPH07BL31				36	36
CPH07BL41				48	48
CPH07BL51	CPH07	7	5	60	60
CPH07BL61				72	72
CPH07BL81				96	96
CPH07BL101				120	120

### BLANK SECTIONS (DPH05)

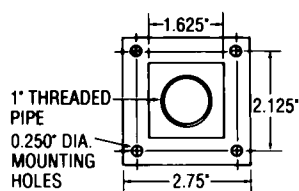
DPH05BL21				28	28
DPH05BL31				36	36
DPH05BL41				48	48
DPH05BL51	DPH05	5-1/2	3	60	60
DPH05BL61				72	72
DPH05BL81				96	96
DPH05BL101				120	120

### BLANK SECTIONS (DPH07)

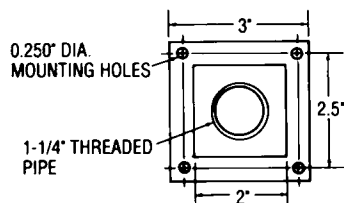
DPH07BL21				28	28
DPH07BL31				36	36
DPH07BL41				48	48
DPH07BL51	DPH07	7	5	60	60
DPH07BL61				72	72
DPH07BL81				96	96
DPH07BL101				120	120

\* X is the additional length the accessory adds to the total installation.  
 \*\* Built-in duplex receptacle available. (See below.)

## PEDESTAL DETAILS

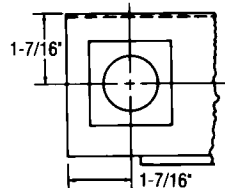


5" HEATER PEDESTAL

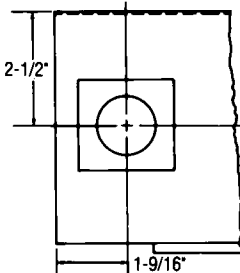


7" HEATER PEDESTAL

## PEDESTAL LOCATION

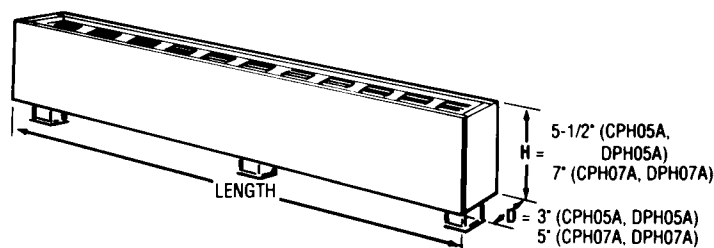


BOTTOM OF 5" HEATERS



BOTTOM OF 7" HEATERS

## HEATING AND BLANK SECTIONS



# COMMERCIAL SILL-HEIGHT CONVECTORS

## CSH

### APPLICATIONS:

Provide total or supplemental heating for offices, corridors, lobbies or similar facilities. These units are not, however, designed for residential use. Mounted under expanses of glass, they prevent cold down-drafts.

### FEATURES:

With a broad range of heating capacities per foot length, 125 watts (436 BTU per hour) to 750 watts (2,560 BTU per hour), these units can be run from wall-to-wall or they can be mounted as discrete units in lengths of 28-inches to ten feet. Locate them at sill height (or lower) or run them from mullion-to-mullion.

125 to 250 watts per foot units can be positioned within 1-3/4 inches of the floor; 375 to 750 watts per foot units can be positioned to within 3 inches of the floor. The 5-1/2 inch high sill-height convectors are only 3 inches in depth (front to back); the seven and fourteen-inch high models are only 5 inches in depth.

5-1/2 and seven-inch high models are available with top outlet only; fourteen-inch models are available with top or front outlet.

Available in a spectrum of muted architectural colors in baked enamel finishes which are compatible with all interior decors.

Front cover is fabricated from 16-gauge steel (14-gauge optional). For service, all internal parts are accessible by removing cover. Top of front cover engages with grille supports; bottom of cover locks into place with concealed Phillips head screws.

Depending on capacity required, each unit may contain one to three heating elements. Elements are long life metal sheath type, anchored to allow for quiet expansion and contraction.

Thermal limit switch with linear type (full length) sensing bulb provides constant protection against overheating from any cause. The switch will automatically reset when normal operating temperatures are restored.

Standard units are prewired. Units without optional controls are designed for either right hand or left hand entry for easy connection of supply wiring from bottom, rear or end, as well as multiple wiring of adjacent heaters from one entry point.

Accessories include a complete line of matching blank sections, end caps, filler sections, inside and outside corners.

Optional 1/4-inch mesh screen located beneath outlet grille available to deter insertion of foreign objects through grille.

Optional built-in controls consist of line voltage thermostat (SPST or DPST); two-stage thermostat; power on / off switch; transformer relay; and power relay. (Refer to specification table for ratings.)

**Note:** These products are Made-to-order and cannot be returned.



# COMMERCIAL SILL HEIGHT CONVECTORS

## Cat. No. CSH05

### Commercial Sill Height Convectors (5-1/2" Height, 3" Depth, One Element)

CATALOG NUMBER	LENGTH	NOMINAL WATTS PER FT.	TOTAL HEATING CAPACITY		AMPERAGE						SHIP NO. OF ELEMENTS	SHIP WT. (LBS.)
			WATTS	BTU/HR.	120V	208V	240V	277V	347V	600V		
CSH05A2125	28 in.	125	250	853	2.1	1.2	1.0	0.9	0.7	0.4	1	11.
CSH05A2188		188	375	1280	3.1	1.8	1.6	1.4	1.1	0.6		
CSH05A2250		250	500	1706	4.2	2.4	2.1	1.8	1.4	0.8		
CSH05A3125	3 ft.	125	375	1280	3.1	1.8	1.6	1.4	1.1	0.6	1	14
CSH05A3188		188	546	1925	4.7	2.7	2.4	2.0	1.6	0.9		
CSH05A3250		250	750	2560	6.2	3.6	3.1	2.7	2.2	1.2		
CSH05A4125	4 ft.	125	500	1706	4.2	2.4	2.1	1.8	1.4	0.8	1	19
CSH05A4188		188	750	2560	6.2	3.6	3.1	2.7	2.2	1.2		
CSH05A4250		250	1000	3412	8.3	4.8	4.2	3.6	2.9	1.7		
CSH05A5125	5 ft.	125	625	2133	5.2	3.0	2.6	2.3	1.8	1.0	1	23
CSH05A5188		188	940	3208	7.8	4.5	3.9	3.4	2.7	1.6		
CSH05A5250		250	1250	4266	10.4	6.0	5.2	4.5	3.6	2.1		
CSH05A6125	6 ft.	125	750	2560	6.2	3.6	3.1	2.7	2.2	1.2	1	27
CSH05A6188		188	1125	3840	9.4	5.4	4.7	4.1	3.2	1.9		
CSH05A6250		250	1500	5120	12.5	7.2	6.3	5.4	4.3	2.5		
CSH05A8125	8 ft.	125	1000	3412	-	4.8	4.2	3.6	2.8	1.7	1	37
CSH05A8188		188	1500	5120	-	7.2	6.3	5.4	4.3	2.5		
CSH05A8250		250	2000	6824	-	9.6	8.3	7.2	5.8	3.3		
CSH05A10125	10 ft.	125	1250	4266	-	6.0	5.2	4.5	3.6	2.1	1	47
CSH05A10188		188	1875	6400	-	9.0	7.8	6.8	5.4	3.1		
CSH05A10250		250	2500	8532	-	12.0	10.4	9.0	7.2	4.2		

## Cat. No. CSH07

### Commercial Sill Height Convectors (7" Height, 5" Depth)

CATALOG NUMBER	LENGTH "L"	NOMINAL WATTS PER FT.	TOTAL HEATING CAPACITY		AMPERAGE								SHIP NO. OF ELEMENTS	SHIP WT. (LBS.)
			TOTAL WATTS	BTU/HR.	208V		240V		277V	347V	600V			
					10	30	10	30	10	10	10	30		
CSH07A2125	28 in.	125	250	853	1.2	-	1.0	-	0.9	0.7	0.4	-	1	17
CSH07A2188		188	375	1280	1.8	-	1.6	-	1.4	1.1	0.6	-		
CSH07A2250		250	500	1706	2.4	-	2.1	-	1.8	1.4	0.8	-		
CSH07A2375		375	750	2560	3.6	-	3.1	-	2.7	2.2	1.2	-		
CSH07A2500		500	1000	3412	4.8	-	4.2	-	3.6	2.9	1.7	-		
CSH07A2564		564	1125	3840	5.4	3.1	4.7	2.7	4.1	3.2	1.9	1.1		
CSH07A2625	625	1250	4266	6.0	3.5	5.2	3.0	4.5	3.6	2.1	1.2	3		
CSH07A2750	750	1500	5120	7.2	4.2	6.3	3.6	5.4	4.3	2.5	1.4			
CSH07A3125	125	375	1280	1.8	-	1.6	-	1.4	1.1	0.6	-			
CSH07A3188	3 ft.	188	564	1925	2.7	-	2.4	-	2.0	1.6	0.9	-	1	21
CSH07A3250		250	750	2560	3.6	-	3.1	-	2.7	2.2	1.2	-		
CSH07A3375		375	1125	3840	5.4	-	4.7	-	4.1	3.2	1.9	-		
CSH07A3500		500	1500	5120	7.2	-	6.3	-	5.4	4.3	2.5	-		
CSH07A3564		564	1690	5768	8.1	4.7	7.0	4.1	6.1	4.8	2.8	1.6		
CSH07A3625		625	1875	6400	9.0	5.2	7.8	4.5	6.8	5.4	3.1	1.8		
CSH07A-3750	750	2250	7680	10.8	6.3	9.4	5.4	8.1	6.5	3.7	2.1	3		
CSH07A4125	125	500	1706	2.4	-	2.1	-	1.8	1.4	0.8	-			
CSH07A4188	188	750	2560	3.6	-	3.1	-	2.7	2.2	1.2	-			
CSH07A4250	4 ft.	250	1000	3412	4.8	-	4.2	-	3.6	2.9	1.7	-	1	28
CSH07A4375		375	1500	5120	7.2	-	6.3	-	5.4	4.3	2.5	-		
CSH07A4500		500	2000	6824	9.6	-	8.3	-	7.2	5.8	3.3	-		
CSH07A4564		564	2250	7680	10.8	6.3	9.4	5.4	8.1	6.5	3.7	2.1		
CSH07A4625		625	2500	8532	12.0	7.0	10.4	6.0	9.0	7.2	4.2	2.4		
CSH07A4750		750	3000	10,239	14.4	8.3	12.5	7.2	10.8	8.6	5.0	2.9		
CSH07A5125	5 ft.	125	625	2133	3.0	-	2.6	-	2.3	1.8	1.0	-	1	35
CSH07A5188		188	940	3208	4.5	-	3.9	-	3.4	2.7	1.6	-		
CSH07A5250		250	1250	4266	6.0	-	5.2	-	4.5	3.6	2.1	-		
CSH07A5375		375	1875	6400	9.0	-	7.8	-	6.8	5.4	3.1	-		
CSH07A5500		500	2500	8532	12.0	-	10.4	-	9.0	7.2	4.2	-		
CSH07A5564		564	2820	9625	13.6	7.8	11.8	6.8	10.2	8.1	4.7	2.7		
CSH07A5625	625	3125	10,665	15.0	8.7	13.0	7.5	11.3	9.0	5.2	3.0	3		
CSH07A5750	750	3750	12,800	18.0	10.4	15.6	9.0	13.5	10.8	6.2	3.6			

**Cat. No. CSH07**  
**Commercial Sill Height Convectors (7" Height, 5" Depth) (cont.)**

CATALOG NUMBER	LENGTH "L"	NOMINAL WATTS PER FT.	TOTAL HEATING CAPACITY		AMPERAGE								SHIP NO. OF ELEMENTS	SHIP WT. (LBS.)
			TOTAL WATTS	BTU/HR.	208V		240V		277V	347V	600V			
					10	30	10	30	10	10	10	30		
CSH07A6125	6 ft.	125	750	2560	3.6	-	3.1	-	2.7	2.2	1.2	-	1	42
CSH07A6188		188	1125	3840	5.4	-	4.7	-	4.1	3.2	1.9	-		
CSH07A6250		250	1500	5120	7.2	-	6.3	-	5.4	4.3	2.5	-		
CSH07A6375		375	2250	7680	10.8	-	9.4	-	8.1	6.5	3.7	-	2	
CSH07A6500		500	3000	10,239	14.4	-	12.5	-	10.8	8.6	5.0	-		
CSH07A6564		564	3380	11,535	16.3	9.4	14.1	8.1	12.2	9.7	5.6	3.2	3	
CSH07A6625		625	3750	12,800	18.0	10.4	15.6	9.0	13.5	10.8	6.2	3.6		
CSH07A6750		750	4500	15,358	21.6	12.5	18.8	10.8	16.2	12.9	7.5	4.3		
CSH07A8125		8 ft.	125	1000	3412	4.8	-	4.2	-	3.6	2.9	1.7	-	
CSH07A8188	188		1500	5120	7.2	-	6.3	-	5.4	4.3	2.5	-		
CSH07A8250	250		2000	6824	9.6	-	8.3	-	7.2	5.8	3.3	-		
CSH07A8375	375		3000	10,239	14.4	-	12.5	-	10.8	8.6	5.0	-	2	
CSH07A8500	500		4000	13,652	19.2	-	16.7	-	14.4	11.5	6.7	-		
CSH07A8564	564		4500	15,358	21.6	12.5	18.8	10.8	16.2	13.0	7.5	4.3	3	
CSH07A8625	625		5000	17,065	24.0	13.9	20.8	12.0	18.1	14.4	8.3	4.8		
CSH07A8750	750		6000	20,478	28.8	16.7	25.0	14.5	21.7	17.3	10.0	5.8		
CSH07A10125	10 ft.		125	1250	4266	6.0	-	5.2	-	4.5	3.6	2.1	-	1
CSH07A10188		188	1875	6400	9.0	-	7.8	-	6.8	5.4	3.1	-		
CSH07A10250		250	2500	8532	12.0	-	10.4	-	9.0	7.2	4.2	-		
CSH07A10375		375	3750	12,800	18.0	-	15.6	-	13.5	10.8	6.2	-	2	
CSH07A10500		500	5000	17,065	24.0	-	20.8	-	18.1	14.4	8.3	-		
CSH07A10564		564	5640	19,250	27.1	15.7	23.5	13.6	20.4	16.2	9.4	5.4	3	
CSH07A10625		625	6250	21,330	30.0	17.4	26.0	15.0	22.6	18.0	10.4	6.0		
CSH07A10750		750	7500	25,600	36.1	20.8	31.3	18.1	27.1	21.6	12.5	7.2		

**Cat. No. CSH14**  
**Commercial Sill Height Convectors (14" Height, 5" Depth) (cont.)**

CATALOG NUMBER	LENGTH "L"	NOMINAL WATTS PER FT.	TOTAL HEATING CAPACITY		AMPERAGE								SHIP NO. OF ELEMENTS	SHIP WT. (LBS.)
			TOTAL WATTS	BTU/HR.	208V		240V		277V	347V	600V			
					10	30	10	30	10	10	10	30		
CSH14A2125	28 in.	125	250	853	1.2	-	1.0	-	0.9	0.7	0.4	-	1	25
CSH14A2188		188	375	1280	1.8	-	1.6	-	1.4	1.1	0.6	-		
CSH14A2250		250	500	1706	2.4	-	2.1	-	1.8	1.4	0.8	-		
CSH14A2375		375	750	2560	3.6	-	3.1	-	2.7	2.2	1.2	-	2	
CSH14A2500		500	1000	3412	4.8	-	4.2	-	3.6	2.9	1.7	-		
CSH14A2564		564	1125	3840	5.4	3.1	4.7	2.7	4.1	3.2	1.9	1.1	3	
CSH14A2625		625	1250	4266	6.0	3.5	5.2	3.0	4.5	3.6	2.1	1.2		
CSH14A2750		750	1500	5120	7.2	4.2	6.3	3.6	5.4	4.3	2.5	1.4		
CSH14A3125		3 ft.	125	375	1280	1.8	-	1.6	-	1.4	1.1	0.6	-	
CSH14A3188	188		564	1925	2.7	-	2.4	-	2.0	1.6	0.9	-		
CSH14A3250	250		750	2560	3.6	-	3.1	-	2.7	2.2	1.2	-		
CSH14A3375	375		1125	3840	5.4	-	4.7	-	4.1	3.2	1.9	-	2	
CSH14A3500	500		1500	5120	7.2	-	6.3	-	5.4	4.3	2.5	-		
CSH14A3564	564		1690	5768	8.1	4.7	7.0	4.1	6.1	4.8	2.8	1.6	3	
CSH14A3625	625		1875	6400	9.0	5.2	7.8	4.5	6.8	5.4	3.1	1.8		
CSH14A3750	750		2250	7680	10.8	6.3	9.4	5.4	8.1	6.5	3.7	2.1		
CSH14A4125	4 ft.		125	500	1706	2.4	-	2.1	-	1.8	1.4	0.8	-	1
CSH14A4188		188	750	2560	3.6	-	3.1	-	2.7	2.2	1.2	-		
CSH14A4250		250	1000	3412	4.8	-	4.2	-	3.6	2.9	1.7	-		
CSH14A4375		375	1500	5120	7.2	-	6.3	-	5.4	4.3	2.5	-	2	
CSH14A4500		500	2000	6824	9.6	-	8.3	-	7.2	5.8	3.3	-		
CSH14A4564		564	2250	7680	10.8	6.3	9.4	5.4	8.1	6.5	3.7	2.1	3	
CSH14A4625		625	2500	8532	12.0	7.0	10.4	6.0	9.0	7.2	4.2	2.4		
CSH14A4750		750	3000	10,239	14.4	8.3	12.5	7.2	10.8	8.6	5.0	2.9		
CSH14A5125		5 ft.	125	625	2133	3.0	-	2.6	-	2.3	1.8	1.0	-	1
CSH14A5188	188		940	3208	4.5	-	3.9	-	3.4	2.7	1.6	-		
CSH14A5250	250		1250	4266	6.0	-	5.2	-	4.5	3.6	2.1	-		
CSH14A5375	375		1875	6400	9.0	-	7.8	-	6.8	5.4	3.1	-	2	
CSH14A5500	500		2500	8532	12.0	-	10.4	-	9.0	7.2	4.2	-		
CSH14A5564	564		2820	9625	13.6	7.8	11.8	6.8	10.2	8.1	4.7	2.7	3	
CSH14A5625	625		3125	10,665	15.0	8.7	13.0	7.5	11.3	9.0	5.2	3.0		
CSH14A5750	750		3750	12,800	18.0	10.4	15.6	9.0	13.5	10.8	6.2	3.6		

Cat. No. CSH14

Commercial Sill Height Convectors (14" Height, 5" Depth) (cont.)

CATALOG NUMBER	LENGTH "L"	NOMINAL WATTS PER FT.	TOTAL HEATING CAPACITY		AMPERAGE								SHIP NO. OF ELEMENTS	SHIP WT. (LBS.)		
			TOTAL WATTS	BTU/HR.	208V		240V		277V		347V				600V	
					10	30	10	30	10	10	10	30				
CSH14A6125	6 ft.	125	750	2560	3.6	-	3.1	-	2.7	2.2	1.2	-	1	60		
CSH14A6188		188	1125	3840	5.4	-	4.7	-	4.1	3.2	1.9	-				
CSH14A6250		250	1500	5120	7.2	-	6.3	-	5.4	4.3	2.5	-				
CSH14A6375		375	2250	7680	10.8	-	9.4	-	8.1	6.5	3.7	-	2			
CSH14A6500		500	3000	10,239	14.4	-	12.5	-	10.8	8.6	5.0	-				
CSH14A6564		564	3380	11,535	16.3	9.4	14.1	8.1	12.2	9.7	5.6	3.2			3	
CSH14A6625	625	3750	12,800	18.0	10.4	15.6	9.0	13.5	10.8	6.2	3.6					
CSH14A6750	750	4500	15,358	21.6	12.5	18.8	10.8	16.2	12.9	7.5	4.3					
CSH14A8125	8 ft.	125	1000	3412	4.8	-	4.2	-	3.6	2.9	1.7	-	1	80		
CSH14A8188		188	1500	5120	7.2	-	6.3	-	5.4	4.3	2.5	-				
CSH14A8250		250	2000	6824	9.6	-	8.3	-	7.2	5.8	3.3	-				
CSH14A8375		375	3000	10,239	14.4	-	12.5	-	10.8	8.6	5.0	-	2			
CSH14A8500		500	4000	13,652	19.2	-	16.7	-	14.4	11.5	6.7	-				
CSH14A8564		564	4500	15,358	21.6	12.5	18.8	10.8	16.2	13.0	7.5	4.3			3	
CSH14A8625	625	5000	17,065	24.0	13.9	20.8	12.0	18.1	14.4	8.3	4.8					
CSH14A8750	750	6000	20,478	28.8	16.7	25.0	14.5	21.7	17.3	10.0	5.8					
CSH14A10125	10 ft.	125	1250	4266	6.0	-	5.2	-	4.5	3.6	2.1	-	1	100.		
CSH14A10188		188	1875	6400	9.0	-	7.8	-	6.8	5.4	3.1	-				
CSH14A10250		250	2500	8532	12.0	-	10.4	-	9.0	7.2	4.2	-				
CSH14A10375		375	3750	12,800	18.0	-	15.6	-	13.5	10.8	6.2	-	2			
CSH14A10500		500	5000	17,065	24.0	-	20.8	-	18.1	14.4	8.3	-				
CSH14A10564		564	5640	19,250	27.1	15.7	23.5	13.6	20.4	16.2	9.4	5.4			3	
CSH14A10625	625	6250	21,330	30.0	17.4	26.0	15.0	22.6	18.0	10.4	6.0					
CSH14A10750	750	7500	25,600	36.1	20.8	31.3	18.1	27.1	21.6	12.5	7.2					

COMMERCIAL SILL HEIGHT CONVECTOR ACCESSORIES

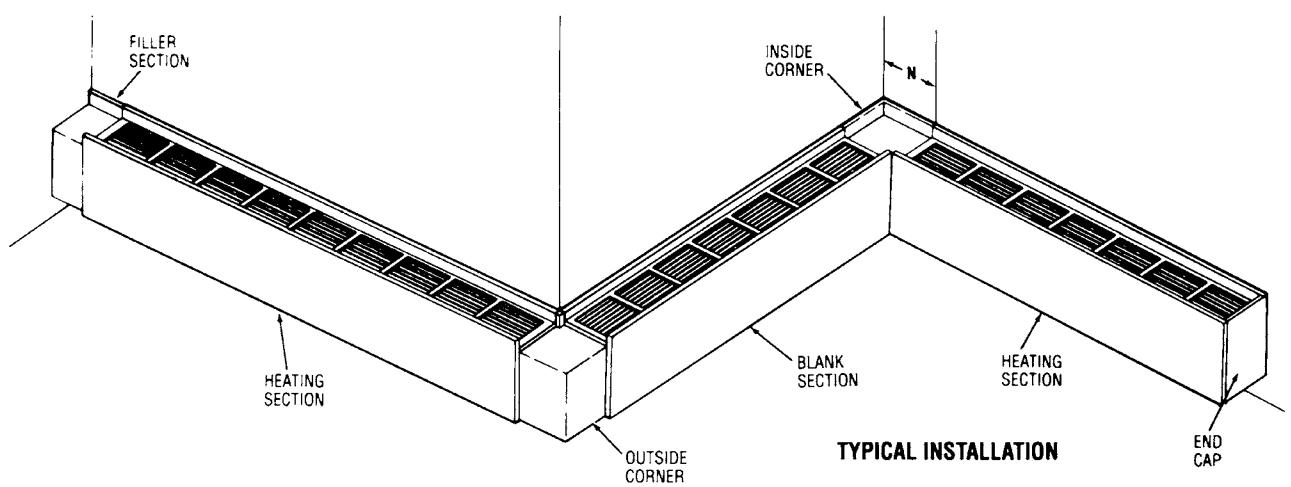
DESCRIPTION	CATALOG NUMBER	USE WITH	SHIP WT. (LBS.)	DESCRIPTION	CATALOG NUMBER	USE WITH	SHIP WT. (LBS.)	
Left End Caps	CHA05ECL	CSLAS	1	<b>CSLAS BLANK SECTIONS:</b>				
	CHA07ECL	CSLAM		28-Inch	CSH05BL21*	CSLAS	10	
	CHA14ECL	CSLAL		3-Foot	CSH05BL31*		14	
Right End Caps	CSH05ECR	CSLAS	1	4-Foot	CSH05BL41*		18	
	CSH07ECR	CSLAM		5-Foot	CSH05BL51*		23	
	CSH14ECR	CSLAL		6-Foot	CSH05BL61*		27	
<b>FILLER SECTIONS</b>				8-Foot	CSH05BL81*		36	
3-Inch	CSH05FL3	CSLAS	1	10-Foot	CSH05BL101*		45	
	CSH07FL3	CSLAM	2	<b>CSLAM BLANK SECTIONS:</b>				
	CSH14FL3	CSLAL	3	28-Inch	CSH07BL21*		CSLAM	16
6-Inch	CSH05FL6	CSLAS	2	3-Foot	CSH07BL31*			20
	CSH07FL6	CSLAM	3	4-Foot	CSH07BL41*	26		
	CSH14FL6	CSLAL	5	5-Foot	CSH07BL51*	33		
9-Inch	CSH05FL9	CSLAS	3	6-Foot	CSH07BL61*	39		
	CSH07FL9	CSLAM	4	8-Foot	CSH07BL81*	52		
	CSH14FL9	CSLAL	6	10-Foot	CSH07BL101*	65		
12-Inch	CSH05F12	CSLAS	4	<b>CSLAL BLANK SECTIONS:</b>				
	CSH07FL12	CSLAM	5	28-Inch	CSH14BL21*	CSLAL		23
	CSH14FL12	CSLAL	8	3-Foot	CSH14BL31*			30
18-Inch	CSH05FL18	CSLAS	5	4-Foot	CSH14BL41*		40	
	CSH07FL18	CSLAM	6	5-Foot	CSH14BL51*		50	
	CSH14FL18	CSLAL	9	6-Foot	CSH14BL61*		60	
Inside Corners	CSH05IC1*	CSLAS	2	8-Foot	CSH14BL81*		80	
	CSH07IC1*	CSLAM	4	10-Foot	CSH14BL101*		100	
	CSH14IC1*	CSLAL	6	Stand-Off	SO1		CSH05	1 lb
Outside Corners	CSH05OC1*	CSLAS	1	Bracket	SO2		SCHO7	
	CSH07OC1*	CSLAM	2	<b>NOTES:</b>				
	CSH14OC1*	CSLAL	4	1. Maximum of 250 watts per ft. on front outlet models.				
Conduit Covers	SHCC05	CSLAS	4	2. If color is not specified, front covers will be neutral grey.				
	SHCC0714	CSLAM, CSLAL	5	3. When ordering, specify heater Catalog No., voltage, phase, suffix Catalog No. for built-in controls, color, and options.				
				4. Front outlet models available only in 14" height and 125, 188 and 250 w/ foot configuration. Outlet mesh is not available on front outlet models.				

\* Cat. No. suffix -1 indicates bottom inlet, top outlet; -3 indicates bottom inlet, front outlet.

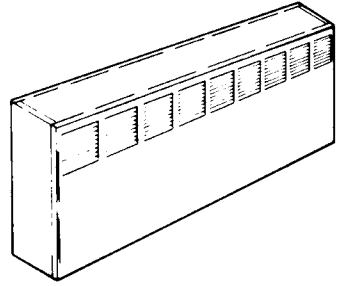
OPTIONS

Controls-Built-in: see page 67.  
 Control Section: see page 67.  
 Outlet Mesh-Price per ft.  
 14-Gauge Front Cover-add 10% to heater price.  
 Standard color included in base price.  
 Other colors available. See paint policy; page 35..

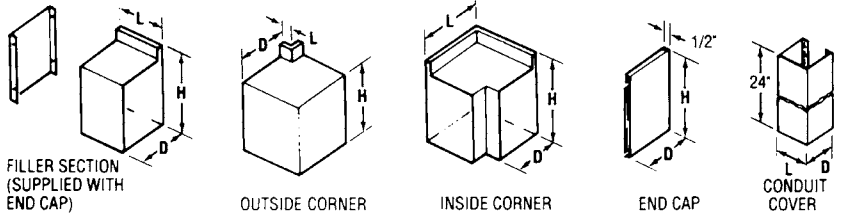




**TYPICAL INSTALLATION**



**FRONT OUTLET MODEL**  
Front outlet is available on Catalog No. CSH14A heaters only, in 125, 188 and 250 watts/foot configuration. Outlet mesh is not available on front outlet models.



FILLER SECTION (SUPPLIED WITH END CAP)

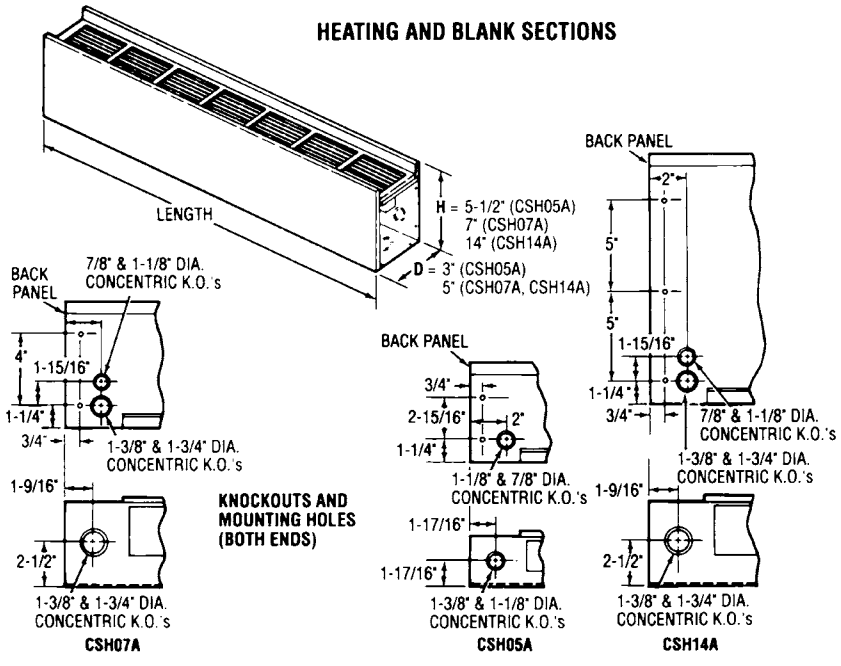
OUTSIDE CORNER

INSIDE CORNER

END CAP

CONDUIT COVER

**HEATING AND BLANK SECTIONS**



BACK PANEL  
7/8" & 1-1/8" DIA. CONCENTRIC K.O.'s

BACK PANEL  
1-15/16"  
1-1/4"  
3/4"  
1-3/8" & 1-3/4" DIA. CONCENTRIC K.O.'s

BACK PANEL  
1-9/16"  
2-1/2"  
1-3/8" & 1-3/4" DIA. CONCENTRIC K.O.'s  
**CSH07A**

**KNOCKOUTS AND MOUNTING HOLES (BOTH ENDS)**

BACK PANEL  
3/4"  
2-15/16"  
1-1/4"  
1-1/8" & 7/8" DIA. CONCENTRIC K.O.'s

BACK PANEL  
1-17/16"  
1-17/16"  
1-3/8" & 1-1/8" DIA. CONCENTRIC K.O.'s  
**CSH05A**

BACK PANEL

2"  
5"  
5"  
1-15/16"  
1-1/4"  
3/4"  
7/8" & 1-1/8" DIA. CONCENTRIC K.O.'s  
1-3/8" & 1-3/4" DIA. CONCENTRIC K.O.'s  
1-9/16"  
2-1/2"  
1-3/8" & 1-3/4" DIA. CONCENTRIC K.O.'s  
**CSH14A**

**ACCESSORIES**

CATALOG NUMBER	USE W/CSH	DIMENSIONS (inches)			
		H	D	L	N*
<b>LEFT END CAPS</b>					
CSH05ECL**	05	5-1/2	2-1/2		
CSH07ECL**	07	7	4-1/4		1/8
CSH14ECL**	14	14	4-1/4		
<b>RIGHT END CAPS</b>					
CSH05ECR**	05	5-1/2	2-1/2		
CSH07ECR**	07	7	4-1/4		1/8
CSH14ECR**	14	14	4-1/4		
<b>FILLER SECTIONS</b>					
CSH05FL3	05	5-1/2	5-1/8		
CSH07FL3	07	7	6-1/8	4	0-3
CSH14FL3	14	14	13-1/8		
CSH05FL6**	05	5-1/8	2-1/2		
CSH07FL6**	07	6-1/8	4-1/2	7	3-6
CSH14FL6**	14	13-1/8	4-1/2		
CSH05FL9**	05	5-1/8	2-1/2		
CSH07FL9**	07	6-1/8	4-1/2	10	6-9
CSH14FL9**	14	13-1/8	4-1/2		
CSH05FL12**	05	5-1/8	2-1/2		
CSH07FL12**	07	6-1/8	4-1/2	13	9-12
CSH14FL12**	14	13-1/8	4-1/2		
CSH05FL18**	05	5-1/8	2-1/2		
CSH07FL18**	07	6-1/8	4-1/2	19	15-18
CSH14FL18**	14	13-1/8	4-1/2		
<b>INSIDE CORNERS</b>					
CSH05IC1	05	5-1/8	2-1/2	4-1/2	3-3-1/2
CSH07IC1	07	6-1/8	4-1/2	6	5-5-1/2
CSH14IC1	14	13-1/8	4-1/2	6	5-5-1/2
<b>OUTSIDE CORNERS</b>					
CSH05OC1	05	5-1/8	2-1/2		
CSH07OC1	07	6-1/8	4-1/2	1	0-1/2
CSH14OC1	14	13-1/8	4-1/2		
<b>CONDUIT CORNERS</b>					
SHCC05	05		2-5/8	2-1/2	
SHCC07	07				
SHCC14	14		3-5/8	3	
<b>STAND-OFF BRACKETS</b>					
SO1	05	4-3/4	3/4	3	
SO2	07	6-3/4	3/4	3	
<b>BLANK SECTIONS (CSH05)</b>					
CSH05BL21				28	28
CSH05BL31				36	36
CSH05BL41				48	48
CSH05BL51	05	5-1/2	3	60	60
CSH05BL61				72	72
CSH05BL81				96	96
CSH05BL101				120	120
<b>BLANK SECTIONS (CSH07)</b>					
CSH07BL21				28	28
CSH07BL31				36	36
CSH07BL41				48	48
CSH07BL51	07	7	5	60	60
CSH07BL61				72	72
CSH07BL81				96	96
CSH07BL101				120	120
<b>BLANK SECTIONS (CSH14)</b>					
CSH14BL21				28	28
CSH14BL31				36	36
CSH14BL41				48	48
CSH14BL51	14	14	5	60	60
CSH14BL61				72	72
CSH14BL81				96	96
CSH14BL101				120	120

† N is the additional length the accessory adds to the total installation length.

\* Add model numbers suffix "-1" for bottom inlet - top outlet; add suffix "-3" for bottom inlet - front outlet.

\*\* Built-in duplex receptacle available.

# DECORATIVE SILL-HEIGHT CONVECTORS

## DSH

### APPLICATIONS:

Provide total or supplemental heating for offices, corridors, lobbies or similar facilities. Mounted under expanses of glass, they prevent cold down-drafts.

### FEATURES:

- With a broad range of heating capacities per foot length, 125 watts (426 BTU per hour) to 750 watts (2560 BTU per hour), these units can be run from wall-to-wall or they can be mounted as discrete units in lengths of 28-inches to ten feet. Locate them at sill height (or lower) or run them from mullion-to-mullion.
- Front inlet models mount flush with floor. 125 to 250 watts per foot units can be positioned within 1-3/4-inches to the floor; 375 to 750 watts per foot units can be positioned to within 3-inches of the floor. The 5-1/2-inch high sill-height convectors are only 3-inches in depth (front to back); the seven and fourteen-inch high models are on 5-inches in depth.
- Bottom Inlet-Top Outlet or Front Inlet-Top Outlet are available in a spectrum of muted architectural colors in baked enamel finishes which are compatible with all interior decors.
- Front cover is fabricated from 16-gauge steel (14-gauge optional). For service, all internal parts are accessible by removing cover. Top of front cover engages with grille supports; bottom of cover locks into place with concealed Phillips head screws.
- Depending on capacity required, each unit may contain one to three heating elements. Elements are long life metal sheath type, anchored to allow for quiet expansion and contraction.
- Thermal limit switch with linear type (full length) sensing bulb provides constant protection against overheating from any cause. The switch will automatically reset when normal operating temperatures are restored.
- Standard units are prewired. Units without optional controls are designed for either right hand or left hand entry for easy connection of supply wiring from bottom, rear or end, as well as multiple wiring of adjacent heaters from one entry point.

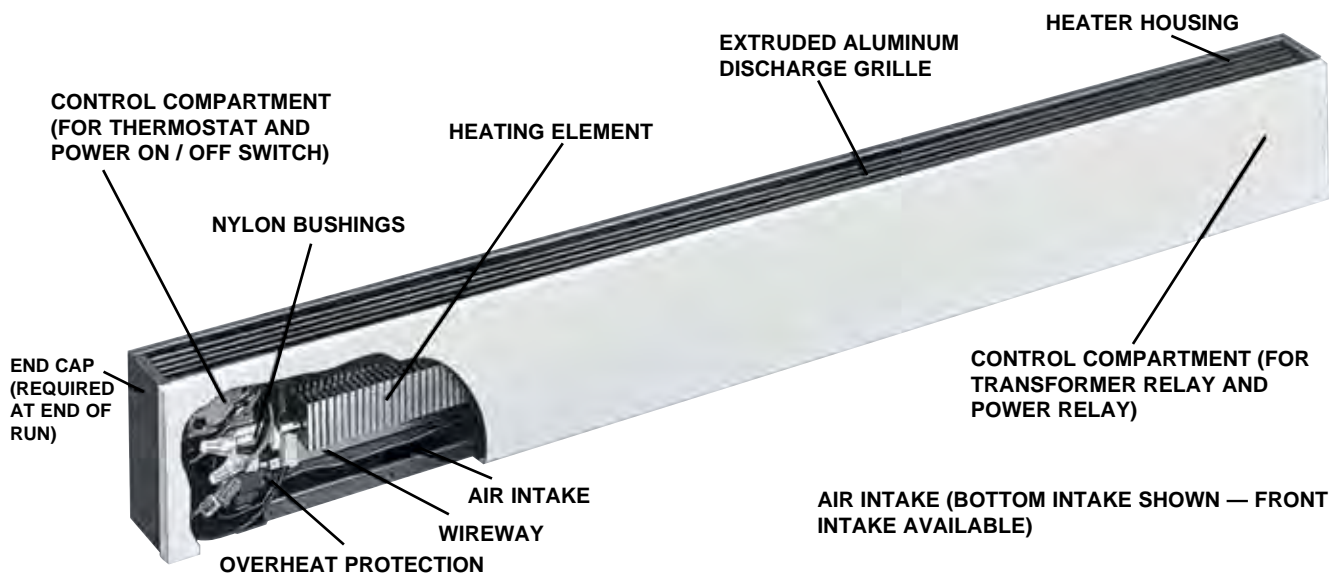


- Accessories include a complete line of matching blank sections, end caps, filler sections, inside and outside corners.
- Optional 1/4-inch mesh screen located beneath outlet grille available to deter insertion of foreign objects through grille.
- Optional built-in controls consist of line voltage thermostat (SPST OR DPST); two-stage thermostat; power on / off switch; transformer relay; and power relay. (Refer to specification table for ratings.)

**NOTE:** These products are Made-to-order and cannot be returned.



Note: DSH05 Models with 250 watt a linear foot or less, without wire mesh, are UL approved for residential use.



**Cat. No. DSH05**

**Decorative Sill Height Convectors (51/2" Height, 3" Depth, One Element)**

CATALOG NUMBER	LENGTH "L"	NOMINAL WATTS PER FT.	TOTAL HEATING CAPACITY		AMPERAGE						SHIP NO. OF ELEMENTS	SHIP WT. (LBS.)
			TOTAL WATTS	BTU/HR.	120V	208V	240V	277V	347V	600V		
DSH05A2125	28" (711mm)	125	250	853	2.1	1.2	1.0	0.9	0.7	0.4	1	12
DSH05A2188		188	375	1280	3.1	1.8	1.6	1.4	1.1	0.6		
DSH05A2250		250*	500	1706	4.2	2.4	2.1	1.8	1.4	0.8		
DSH05A3125	3' (914mm)	125	375	1280	3.1	1.8	1.6	1.4	1.1	0.6	1	13
DSH05A3188		188	546	1925	4.7	2.7	2.4	2.0	1.6	0.9		
DSH05A3250		250*	750	2560	6.2	3.6	3.1	2.7	2.2	1.2		
DSH05A4125	4' (1219mm)	125	500	1706	4.2	2.4	2.1	1.8	1.4	0.8	1	17
DSH05A4188		188	750	2560	6.2	3.6	3.1	2.7	2.2	1.2		
DSH05A4250		250*	1000	3412	8.3	4.8	4.2	3.6	2.9	1.7		
DSH05A5125	5' (1524mm)	125	625	2133	5.2	3.0	2.6	2.3	1.8	1.0	1	22
DSH05A5188		188	940	3208	7.8	4.5	3.9	3.4	2.7	1.6		
DSH05A5250		250*	1250	4266	10.4	6.0	5.2	4.5	3.6	2.1		
DSH05A6125	6' (1829mm)	125	750	2560	6.2	3.6	3.1	2.7	2.2	1.2	1	26
DSH05A6188		188	1125	3840	9.4	5.4	4.7	4.1	3.2	1.9		
DSH05A6250		250*	1500	5120	12.5	7.2	6.3	5.4	4.3	2.5		
DSH05A8125	8' (2438mm)	125	1000	3412		4.8	4.2	3.6	2.8	1.7	1	35
DSH05A8188		188	1500	5120		7.2	6.3	5.4	4.3	2.5		
DSH05A8250		250*	2000	6824		9.6	8.3	7.2	5.8	3.3		
DSH05A10125	10' (3048mm)	125	1250	4266		6.0	5.2	4.5	3.6	2.1	1	43
DSH05A10188		188	1875	6400		9.0	7.8	6.8	5.4	3.1		
DSH05A10250		250*	2500	8532		12.0	10.4	9.0	7.2	4.2		

**Cat. No. DSH07**

**Decorative Sill Height Convectors (7" Height, 5" Depth)**

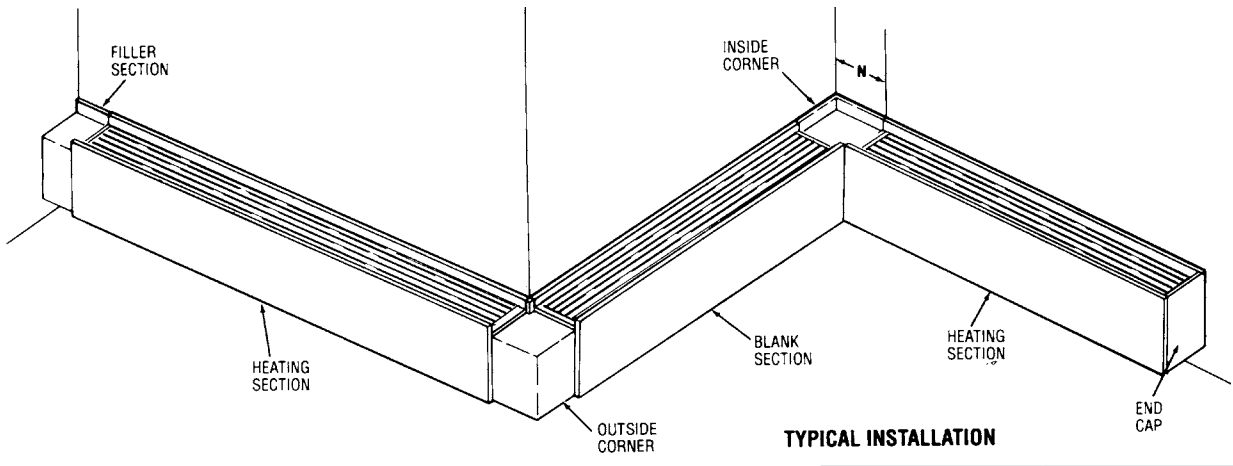
CATALOG NUMBER	LENGTH "L"	NOMINAL WATTS PER FT.	TOTAL HEATING CAPACITY		AMPERAGE								SHIP NO. OF ELEMENTS	SHIP WT. (LBS.)
			TOTAL WATTS	BTU/HR.	208V		240V		277V	347V	600V			
					10	30	10	30	10	10	10	30		
DSH07A2125	28" (711mm)	125	250	853	1.2	-	1.0	-	0.9	0.7	0.4	-	1	15
DSH07A2188		188	375	1280	1.8	-	1.6	-	1.4	1.1	0.6	-		
DSH07A2250		250	500	1706	2.4	-	2.1	-	1.8	1.4	0.8	-		
DSH07A2375	28" (711mm)	375	750	2560	3.6	-	3.1	-	2.7	2.2	1.2	-	2	15
DSH07A2500		500	1000	3412	4.8	-	4.2	-	3.6	2.9	1.7	-		
DSH07A2564		564	1125	3840	5.4	3.1	4.7	2.7	4.1	3.2	1.9	1.1		
DSH07A2625	28" (711mm)	625	1250	4266	6.0	3.5	5.2	3.0	4.5	3.6	2.1	1.2	3	15
DSH07A2750		750	1500	5120	7.2	4.2	6.3	3.6	5.4	4.3	2.5	1.4		
DSH07A3125		125	375	1280	1.8	-	1.6	-	1.4	1.1	0.6	-		
DSH07A3188	3' (914mm)	188	564	1925	2.7	-	2.4	-	2.0	1.6	0.9	-	1	20
DSH07A3250		250	750	2560	3.6	-	3.1	-	2.7	2.2	1.2	-		
DSH07A3375		375	1125	3840	5.4	-	4.7	-	4.1	3.2	1.9	-		
DSH07A3500	3' (914mm)	500	1500	5120	7.2	-	6.3	-	5.4	4.3	2.5	-	2	20
DSH07A3564		564	1690	5768	8.1	4.7	7.0	4.1	6.1	4.8	2.8	1.6		
DSH07A3625		625	1875	6400	9.0	5.2	7.8	4.5	6.8	5.4	3.1	1.8		
DSH07A3750	3' (914mm)	750	2250	7680	10.8	6.3	9.4	5.4	8.1	6.5	3.7	2.1	3	26
DSH07A4125		125	500	1706	2.4	-	2.1	-	1.8	1.4	0.8	-		
DSH07A4188		188	750	2560	3.6	-	3.1	-	2.7	2.2	1.2	-		
DSH07A4250	4' (1219mm)	250	1000	3412	4.8	-	4.2	-	3.6	2.9	1.7	-	1	26
DSH07A4375		375	1500	5120	7.2	-	6.3	-	5.4	4.3	2.5	-		
DSH07A4500		500	2000	6824	9.6	-	8.3	-	7.2	5.8	3.3	-		
DSH07A4564	4' (1219mm)	564	2250	7680	10.8	6.3	9.4	5.4	8.1	6.5	3.7	2.1	2	26
DSH07A4625		625	2500	8532	12.0	7.0	10.4	6.0	9.0	7.2	4.2	2.4		
DSH07A4750		750	3000	10239	14.4	8.3	12.5	7.2	10.8	8.6	5.0	2.9		
DSH07A5125	5' (1524mm)	125	624	2133	3.0	-	2.6	-	2.3	1.8	1.0	-	1	33
DSH07A5188		188	940	3208	4.5	-	3.9	-	3.4	2.7	1.6	-		
DSH07A5250		250	1250	4266	6.0	-	5.2	-	4.5	3.6	2.1	-		
DSH07A5375	5' (1524mm)	375	1875	6400	9.0	-	7.8	-	6.8	5.4	3.1	-	2	33
DSH07A5500		500	2500	8532	12.0	-	10.4	-	9.0	7.2	4.2	-		
DSH07A5564		564	2820	9625	13.6	7.8	11.8	6.8	10.2	8.1	4.7	2.7		
DSH07A5625	5' (1524mm)	625	3125	10665	15.0	8.7	13.0	7.5	11.3	9.0	5.2	3.0	3	33
DSH07A5750		750	3750	12800	18.0	10.4	15.6	9.0	13.5	10.8	6.2	3.6		

NOTE: All models are NON-STOCK made-to-order. When ordering, specify quantity, catalog number, voltage, wattage, optional controls, and color. Consult sales representative for lead times.

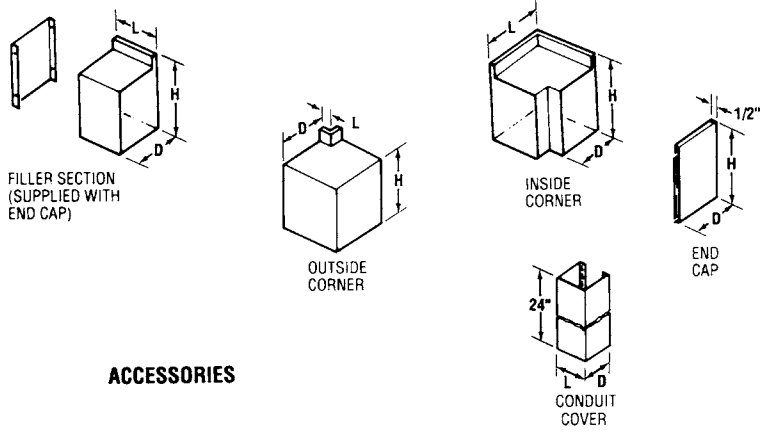
Available as front inlet or bottom inlet.  
Optional controls on page 67.



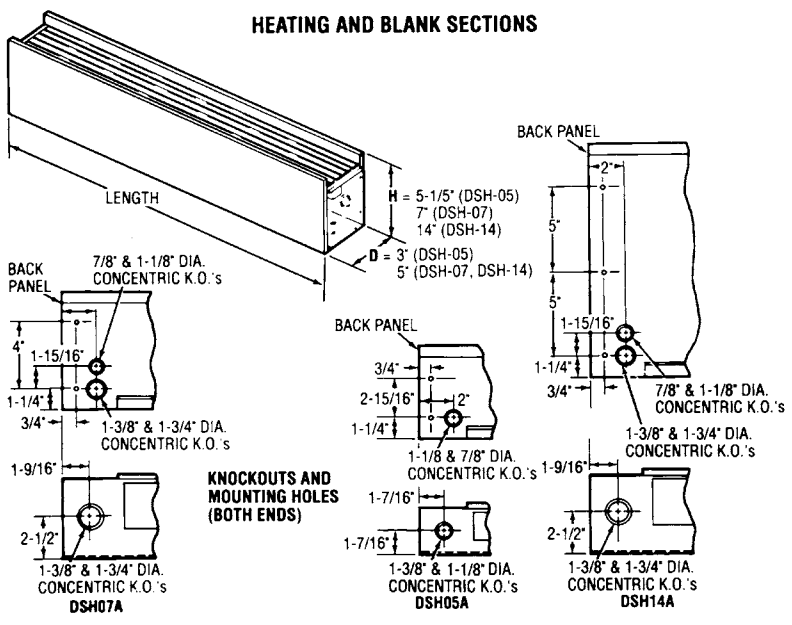




**TYPICAL INSTALLATION**



**ACCESSORIES**



**HEATING AND BLANK SECTIONS**

**ACCESSORIES**

CATALOG NUMBER	USE W/CSL	DIMENSIONS (INCHES)			
		H	D	L	N*
<b>LEFT END CAPS</b>					
DSH05ECL	05	5-1/2	2-1/2		
DSH07ECL	07	7	4-1/4		1/8
DSH14ECL	14	14	4-1/4		
<b>RIGHT END CAPS</b>					
DSH05ECR	05	5-1/2	2-1/2		
DSH07ECR	07	7	4-1/4		1/8
DSH14ECR	14	14	4-1/4		
<b>FILLER SECTIONS</b>					
DSH05FL3	05	5-1/2	5-1/8		
DSH07FL3	07	7	6-1/8	4	0-3
DSH14FL3	14	14	13-1/8		
DSH05FL6	05	5-1/8	2-1/2		
DSH07FL6	07	6-1/8	4-1/2	7	3-6
DSH14FL6	14	13-1/8	4-1/2		
DSH05FL9	05	5-1/8	2-1/2		
DSH07FL9	07	6-1/8	4-1/2	10	6-9
DSH14FL9	14	13-1/8	4-1/2		
DSH05FL12	05	5-1/8	2-1/2		
DSH07FL12	07	6-1/8	4-1/2	13	9-12
DSH14FL12	14	13-1/8	4-1/2		
DSH05FL18	05	5-1/8	2-1/2		
DSH07FL18	07	6-1/8	4-1/2	19	15-18
DSH14FL18	14	13-1/8	4-1/2		
<b>INSIDE CORNERS</b>					
DSH05IC*	05	5-1/8	2-1/2	4-1/2	3-3-1/2
DSH07IC*	07	6-1/8	4-1/2	6	5-5-1/2
DSH14IC*	14	13-1/8	4-1/2	6	5-5-1/2
<b>OUTSIDE CORNERS</b>					
DSH05OC*	05	5-1/8	2-1/2	4-1/2	3-3-1/2
DSH07OC*	07	6-1/8	4-1/2	6	5-5-1/2
DSH14OC*	14	13-1/8	4-1/2	6	5-5-1/2
<b>CONDUIT CORNERS</b>					
SHCC05	05		2-5/8		
SHCC07	07			3	
SHCC14	14		3-5/8		
<b>STAND-OFF BRACKETS</b>					
SO1	05	4-3/4	3/4	2-1/2	
SO2	07	6-3/4	3/4	3	
<b>BLANK SECTIONS (CSL&amp;S)</b>					
DSH05BL2*				28	28
DSH05BL3*				36	36
DSH05BL4*				48	48
DSH05BL5*	05	5-1/2	3	60	60
DSH05BL6*				72	72
DSH05BL8*				96	96
DSH05BL10*				120	120
<b>BLANK SECTIONS (CSLAM)</b>					
DSH07BL2*				28	28
DSH07BL3*				36	36
DSH07BL4*				48	48
DSH07BL5*	07	7	5	60	60
DSH07BL6*				72	72
DSH07BL8*				96	96
DSH07BL10*				120	120
<b>BLANK SECTIONS (CSL&amp;L)</b>					
DSH14BL2*				28	28
DSH14BL3*				36	36
DSH14BL4*				48	48
DSH14BL5*	14	14	5	60	60
DSH14BL6*				72	72
DSH14BL8*				96	96
DSH14BL10*				120	120

**NOTES**

1. If color is not specified, front covers will be neutral gray.
  2. When ordering, specify heater Catalog No., voltage, phase, suffix Catalog No. for built in controls, color and options.
- (\*) - Add suffix 1 for bottom inlet, add 2 for front inlet.

**Cat. No. DSH07**

**Decorative Sill Height Convectors (7" Height, 5" Depth) (Con't.)**

CATALOG NUMBER	LENGTH "L"	NOMINAL WATTS PER FT.	TOTAL HEATING CAPACITY		AMPERAGE								SHIP NO. OF ELEMENTS	SHIP WT. (LBS.)
			TOTAL WATTS	BTU/ HR.	208V		240V		277V	347V	600V			
					10	30	10	30	10	10	10	30		
DSH07A6125	6 ft.	125	750	2560	3.6	-	3.1	-	2.7	2.2	1.2	-	1	39
DSH07A6188		188	1125	3840	5.4	-	4.7	-	4.1	3.2	1.9	-		
DSH07A6250		250	1500	5120	7.2	-	6.3	-	5.4	4.3	2.5	-		
DSH07A6375		375	2250	7680	10.8	-	9.4	-	8.1	6.5	3.7	-	2	
DSH07A6500		500	3000	10,239	14.4	-	12.5	-	10.8	8.6	5.0	-		
DSH07A6564		564	3380	11,535	16.3	9.4	14.1	8.1	12.2	9.7	5.6	3.2	3	
DSH07A6625		625	3750	12,800	18.0	10.4	15.6	9.0	13.5	10.8	6.2	3.6		
DSH07A6750	750	4500	15,358	21.6	12.5	18.8	10.8	16.2	12.9	7.5	4.3	52		
DSH07A8125	8 ft.	125	1000	3412	4.8	-	4.2	-	3.6	2.9	1.7		-	1
DSH07A8188		188	1500	5120	7.2	-	6.3	-	5.4	4.3	2.5		-	
DSH07A8250		250	2000	6824	9.6	-	8.3	-	7.2	5.8	3.3		-	2
DSH07A8375		375	3000	10,239	14.4	-	12.5	-	10.8	8.6	5.0		-	
DSH07A8500		500	4000	13,652	19.2	-	16.7	-	14.4	11.5	6.7		-	3
DSH07A8564		564	4500	15,358	21.6	12.5	18.8	10.8	16.2	13.0	7.5		4.3	
DSH07A8625		625	5000	17,065	24.0	13.9	20.8	12.0	18.1	14.4	8.3	4.8		
DSH07A8750	750	6000	20,478	28.8	16.7	25.0	14.5	21.7	17.3	10.0	5.8	65		
DSH07A10125	10 ft.	125	1250	4266	6.0	-	5.2	-	4.5	3.6	2.1		-	1
DSH07A10188		188	1875	6400	9.0	-	7.8	-	6.8	5.4	3.1		-	
DSH07A10250		250	2500	8532	12.0	-	10.4	-	9.0	7.2	4.2		-	2
DSH07A10375		375	3750	12,800	18.0	-	15.6	-	13.5	10.8	6.2		-	
DSH07A10500		500	5000	17,065	24.0	-	20.8	-	18.1	14.4	8.3		-	3
DSH07A10564		564	5640	19,250	27.1	15.7	23.5	13.6	20.4	16.2	9.4		5.4	
DSH07A10625		625	6250	21,330	30.0	17.4	26.0	15.0	22.6	18.0	10.4	6.0		
DSH07A10750	750	7500	25,600	36.1	20.8	31.3	18.1	27.1	21.6	12.5	7.2			

**Cat. No. DSH14**

**Decorative Sill Height Convectors (14" Height, 5" Depth)**

CATALOG NUMBER	LENGTH "L"	NOMINAL WATTS PER FT.	TOTAL HEATING CAPACITY		AMPERAGE								SHIP NO. OF ELEMENTS	SHIP WT. (LBS.)
			TOTAL WATTS	BTU/ HR.	208V		240V		277V	347V	600V			
					10	30	10	30	10	10	10	30		
DSH14A2125	28 in.	125	250	853	1.2	-	1.0	-	0.9	0.7	0.4	-	1	23
DSH14A2188		188	375	1280	1.8	-	1.6	-	1.4	1.1	0.6	-		
DSH14A2250		250	500	1706	2.4	-	2.1	-	1.8	1.4	0.8	-		
DSH14A2375		375	750	2560	3.6	-	3.1	-	2.7	2.2	1.2	-	2	
DSH14A2500		500	1000	3412	4.8	-	4.2	-	3.6	2.9	1.7	-		
DSH14A2564		564	1125	3840	5.4	3.1	4.7	2.7	4.1	3.2	1.9	1.1	3	
DSH14A2625		625	1250	4266	6.0	3.5	5.2	3.0	4.5	3.6	2.1	1.2		
DSH14A2750	750	1500	5120	7.2	4.2	6.3	3.6	5.4	4.3	2.5	1.4	30		
DSH14A3125	3 ft.	125	375	1280	1.8	-	1.6	-	1.4	1.1	0.6		-	1
DSH14A3188		188	564	1925	2.7	-	2.4	-	2.0	1.6	0.9		-	
DSH14A3250		250	750	2560	3.6	-	3.1	-	2.7	2.2	1.2		-	2
DSH14A3375		375	1125	3840	5.4	-	4.7	-	4.1	3.2	1.9		-	
DSH14A3500		500	1500	5120	7.2	-	6.3	-	5.4	4.3	2.5		-	3
DSH14A3564		564	1690	5768	8.1	4.7	7.0	4.1	6.1	4.8	2.8		1.6	
DSH14A3625		625	1875	6400	9.0	5.2	7.8	4.5	6.8	5.4	3.1	1.8		
DSH14A3750	750	2250	7680	10.8	6.3	9.4	5.4	8.1	6.5	3.7	2.1	40		
DSH14A4125	4 ft.	125	500	1706	2.4	-	2.1	-	1.8	1.4	0.8		-	1
DSH14A4188		188	750	2560	3.6	-	3.1	-	2.7	2.2	1.2		-	
DSH14A4250		250	1000	3412	4.8	-	4.2	-	3.6	2.9	1.7		-	2
DSH14A4375		375	1500	5120	7.2	-	6.3	-	5.4	4.3	2.5		-	
DSH14A4500		500	2000	6824	9.6	-	8.3	-	7.2	5.8	3.3		-	3
DSH14A4564		564	2250	7680	10.8	6.3	9.4	5.4	8.1	6.5	3.7		2.1	
DSH14A4625		625	2500	8532	12.0	7.0	10.4	6.0	9.0	7.2	4.2	2.4		
DSH14A4750	750	3000	10,239	14.4	8.3	12.5	7.2	10.8	8.6	5.0	2.9	50		
DSH14A5125	5 ft.	125	625	2133	3.0	-	2.6	-	2.3	1.8	1.0		-	1
DSH14A5188		188	940	3208	4.5	-	3.9	-	3.4	2.7	1.6		-	
DSH14A5250		250	1250	4266	6.0	-	5.2	-	4.5	3.6	2.1		-	2
DSH14A5375		375	1875	6400	9.0	-	7.8	-	6.8	5.4	3.1		-	
DSH14A5500		500	2500	8532	12.0	-	10.4	-	9.0	7.2	4.2		-	3
DSH14A5564		564	2820	9625	13.6	7.8	11.8	6.8	10.2	8.1	4.7		2.7	
DSH14A5625		625	3125	10,665	15.0	8.7	13.0	7.5	11.3	9.0	5.2	3.0		
DSH14A5750	750	3750	12,800	18.0	10.4	15.6	9.0	13.5	10.8	6.2	3.6			

**Cat. No. DSH14  
Decorative Sill Height Convectors (14" Height, 5" Depth) (cont.)**

CATALOG NUMBER	LENGTH "L"	NOMINAL WATTS PER FT.	TOTAL HEATING CAPACITY		AMPERAGE						SHIP NO. OF ELEMENTS	SHIP WT. (LBS.)		
			TOTAL WATTS	BTU/HR.	208V		240V		277V	347V			600V	
					10	30	10	30	10	10			10	30
DSH14A6125	6 ft.	125	750	2560	3.6	-	3.1	-	2.7	2.2	1.2	-	1	60
DSH14A6188		188	1125	3840	5.4	-	4.7	-	4.1	3.2	1.9	-		
DSH14A6250		250	1500	5120	7.2	-	6.3	-	5.4	4.3	2.5	-		
DSH14A6375		375	2250	7680	10.8	-	9.4	-	8.1	6.5	3.7	-	2	
DSH14A6500		500	3000	10,239	14.4	-	12.5	-	10.8	8.6	5.0	-		
DSH14A6564		564	3380	11,535	16.3	9.4	14.1	8.1	12.2	9.7	5.6	3.2		
DSH14A6625	625	3750	12,800	18.0	10.4	15.6	9.0	13.5	10.8	6.2	3.6			
DSH14A6750	750	4500	15,358	21.6	12.5	18.8	10.8	16.2	12.9	7.5	4.3			
DSH14A8125	8 ft.	125	1000	3412	4.8	-	4.2	-	3.6	2.9	1.7	-	1	80
DSH14A8188		188	1500	5120	7.2	-	6.3	-	5.4	4.3	2.5	-		
DSH14A8250		250	2000	6824	9.6	-	8.3	-	7.2	5.8	3.3	-		
DSH14A8375		375	3000	10,239	14.4	-	12.5	-	10.8	8.6	5.0	-	2	
DSH14A8500		500	4000	13,652	19.2	-	16.7	-	14.4	11.5	6.7	-		
DSH14A8564		564	4500	15,358	21.6	12.5	18.8	10.8	16.2	13.0	7.5	4.3		
DSH14A8625	625	5000	17,065	24.0	13.9	20.8	12.0	18.1	14.4	8.3	4.8			
DSH14A8750	750	6000	20,478	28.8	16.7	25.0	14.5	21.7	17.3	10.0	5.8			
DSH14A10125	10 ft.	125	1250	4266	6.0	-	5.2	-	4.5	3.6	2.1	-	1	100.
DSH14A10188		188	1875	6400	9.0	-	7.8	-	6.8	5.4	3.1	-		
DSH14A10250		250	2500	8532	12.0	-	10.4	-	9.0	7.2	4.2	-		
DSH14A10375		375	3750	12,800	18.0	-	15.6	-	13.5	10.8	6.2	-	2	
DSH14A10500		500	5000	17,065	24.0	-	20.8	-	18.1	14.4	8.3	-		
DSH14A10564		564	5640	19,250	27.1	15.7	23.5	13.6	20.4	16.2	9.4	5.4		
DSH14A10625	625	6250	21,330	30.0	17.4	26.0	15.0	22.6	18.0	10.4	6.0			
DSH14A10750	750	7500	25,600	36.1	20.8	31.3	18.1	27.1	21.6	12.5	7.2			

**DECORATIVE SILL HEIGHT CONVECTOR ACCESSORIES**

DESCRIPTION	CATALOG NUMBER	USE WITH	SHIP WT. (LBS.)	DESCRIPTION	CATALOG NUMBER	USE WITH	SHIP WT. (LBS.)	
Left End Caps	DSH05ECL	DSH05	1	<b>CSLAS BLANK SECTIONS:</b>				
	DSH07ECL	DSH07	1	28-Inch	DSH05-BL2*	DSH05	10	
	DSH14ECL	DSH14	1	3-Foot	DSH05BL3*		13	
Right End Caps	DSH05ECR	DSH05	1	4-Foot	DSH05BL4*		17	
	DSH07ECR	DSH07	1	5-Foot	DSH05BL5*		21	
	DSH14ECR	DSH14	1	6-Foot	DSH05BL6*		25	
<b>FILLER SECTIONS</b>				8-Foot	DSH05BL8*		32	
3-Inch	DSH05FL3	DSH05	1	10-Foot	DSH05BL10*		42	
	DSH07FL3	DSH07	2	<b>CSLAM BLANK SECTIONS:</b>				
	DSH14FL3	DSH14	3	28-Inch	DSH07BL2*		DSH07	14
6-Inch	DSH05FL6	DSH05	2	3-Foot	DSH07BL3*			18
	DSH07FL6	DSH07	3	4-Foot	DSH07BL4*	24		
	DSH14FL6	DSH14	5	5-Foot	DSH07BL5*	30		
9-Inch	DSH05FL9	DSH05	3	6-Foot	DSH07BL6*	36		
	DSH07FL9	DSH07	4	8-Foot	DSH07BL8*	48		
	DSH14FL9	DSH14	6	10-Foot	DSH07BL10*	60		
12-Inch	DSH05FL12	DSH05	4	<b>CSLAL BLANK SECTIONS:</b>				
	DSH07FL12	DSH07	5	28-Inch	DSH14BL3*	DSH14		22
	DSH14FL12	DSH14	8	3-Foot	DSH14BL4*			29
18-Inch	DSH05FL18	DSH05	5	4-Foot	DSH14BL5*		38	
	DSH07FL18	DSH07	6	5-Foot	DSH14BL6*		48	
	DSH14FL18	DSH14	9	6-Foot	DSH14BL8*		57	
Inside Corners	DSH05IC*	DSH05	2	8-Foot	DSH14BL10*		76	
	DSH07IC*	DSH07	4	10-Foot	SO1		95	
	DSH14IC	DSH14	6	Stand-Off	SO2		DSH05	1
Outside Corners	DSH05OC*	DSH05	1	Bracket	SO2		DSH07	
	DSH07OC*	DSH07	2	<b>NOTES:</b>				
	DSH14OC*	DSH14	4	1. If color is not specified, front covers will be neutral grey.				
Conduit Covers	SHCC05	DSH05	4	2. When ordering, specify heater Catalog No., voltage, phase, suffix Catalog No. for built-in controls, color, and options.				
	SHCC0714	DSH07	5	* Suffix 1 is for Bottom Inlet and Suffix 2 is for Front Inlet.				
		DSH14	5					

**OPTIONS**

Controls-Built-in: see page 67.  
Control Section: see page 67.  
Outlet Mesh-Price per ft.  
14-Gauge Front Cover-add 10% to heater price  
Standard color included in base price  
Other colors available. See paint policy; page 35.

# CONTROL SECTIONS FOR CONVECTORS

Two types of control sections are available; a relay control section which may have Mercury Relays, Circuit Breakers, Thermostat, Pilot Duty Disconnect Switch, P.E. Switch, or Control Transformer. An SCR Control Section which may have Master and Slave SCR's with an SCR type thermostat. Control sections are 28 inches long and available in 7-inch high and 14-inch high models plus the DBA. To develop a complete catalog number, first start with the catalog number of the selected Blank Control Section. Example: CSH07BCS1, then add slash marks to separate the catalog numbers that describe the individual controls desired. Example: CSH07BCS1/M630/2CB3P30/PE. This catalog number would be for a 5-inch deep, 7-inch high commercial type control section with six 30 amp Mercury Relays, two 3-pole 30 amp Circuit Breakers with the unit controlled by a P.E. Switch. Also specify finish, heater voltage, phase 1 or 3, and control voltage.

BLANK CONTROL SECTION (SEE NOTE 1)	
CATALOG NUMBER	DESCRIPTION
<b>DBA3BCSF</b> <b>DBA3BCSB</b>	Control Section, Front Inlet, 3-5/8" x 6" x 28" long Control Section, Bottom Inlet, 3-5/8" x 6" x 28" long
<b>SHABCSF</b> <b>SHABCSB</b>	Control Section, Front Inlet, 5-3/8" x 7" x 28" long Control Section, Bottom Inlet, 5-3/8" x 7" x 28" long
<b>CSH07BCS1</b> <b>CSH14BCS1</b> <b>CSH14BCS3</b>	Commercial Style, 7" High Bottom Inlet/Top Outlet Commercial Style, 14" High Bottom Inlet/Top Outlet Commercial Style, 14" High Bottom Inlet/Front Outlet
<b>DSH07BCS1</b> <b>DSH14BCS1</b>	Commercial Style, 7" High, Bottom Inlet/Top Outlet Commercial Style, 14" High, Bottom Inlet/Top Outlet
<b>DSH07BCS2</b> <b>DSH14BCS2</b>	Decorative Style, 7" High, Front Inlet/Top Outlet Decorative Style, 14" High, Front Inlet/Top Outlet
CIRCUIT BREAKERS (SEE NOTE 3)	
<b>1CB2P30</b> <b>1CB2P60</b>	1-Three Pole Circuit Breaker Rated 30 Amps @ 208, 240, 277 VAC 1-Two Pole Circuit Breaker Rated 60 Amps @ 208, 240, 277 VAC
<b>1CB3P30</b> <b>1CB3P60</b>	1-Three Pole Circuit Breaker Rated 30 Amps @ 208, 240, 277 VAC 1-Three Pole Circuit Breaker Rated 60 Amps @ 208, 240, 277 VAC
<b>2CB2P30</b> <b>2CB2P60</b>	2-Two Pole Circuit Breaker Rated 30 Amps @ 208, 240, 277 VAC 2-Two Pole Circuit Breaker Rated 60 Amps @ 208, 240, 277 VAC
<b>2CB3P30</b> <b>2CB3P60</b>	2-Three Pole Circuit Breaker Rated 30 Amps @ 208, 240, 277 VAC 2-Three Pole Circuit Breaker Rated 60 Amps @ 208, 240, 277 VAC

## HOW TO ORDER

When ordering, specify the following:

- BASE HEATER — Specify model number (which denotes heater height, length and watts/ft.) and the following:
  - Heater voltage and phase
  - Optional controls (also indicate coil voltage when specifying power relay). Add suffix letters shown above to basic Model No.
  - Optional protective outlet mesh. Add suffix "-M" to Model No.
  - Finish.
- END CAPS — Specify model number (which denotes size and either left or right hand fit) and specify finish.
- SPLICE PLATE KIT — Specify model number (which denotes size) and specify finish.

CONTROL TRANSFORMER, 50 VA RATING (SEE NOTE 3)	
CATALOG NUMBER	DESCRIPTION
<b>TR24</b>	Low Voltage Transformer, 24V Secondary
PNEUMATIC CONTROL	
<b>PE</b>	Pneumatic Operated Electric Switch—SPDT switch rated 16A @ 120 VAC, 9A @ 208 VAC, 8A @ 240 VAC, 7A @ 277 VAC, pilot duty 125 VA @ 24-277 VAC, pressure 0 - 20 psig.
THERMOSTAT & RECEPTACLE	
<b>1PDT</b>	Single Pole Pilot Duty Thermostat, 60° to 120°F Temperature Range—125 VA Rating
<b>2PDT</b>	Two Stage Pilot Duty Thermostat, 60° to 120°F Temperature Range—125 VA Rating. Available on 2- or 3-element, single phase heaters only.
<b>2ST</b>	2-Stage Thermostat 60-120°F temperature range, adjustable through outlet grille-tamper-resistant. Available on 2- or 3-element, single phase heaters only.
<b>**R</b>	120V Receptacle Duplex receptacle, 120V/20A, mounting in left or right end cap of 6, 9, 12 or 18-inch filler sections only.
POWER ON / OFF SWITCH	
<b>DS</b>	Pilot Duty Power On / Off Switch—Double Pole (Disconnects relay holding coil circuit)
SCR CONTROLS	
<b>M90525A</b>	Master SCR Control Rated 25 Amps @ 120 - 480V AC. Master units accept 0 -10V DC, 4-20mA, or 135 ohm proportional control inputs.
<b>M90548A</b>	Master SCR Control Rated 48 Amps @ 120 - 480V AC
<b>M90548A-2</b>	Master SCR Control Rated 48 Amps @ 120 - 480V AC
SCR SLAVE CONTROLLER	
<b>S90525A</b>	SCR Slave unit controller. Rated 25 Amps.
<b>S90548A</b>	SCR Slave unit controller. Rated 48 Amps
SCR THERMOSTAT	
<b>T90613V</b>	Provides a proportional 2-10 VDC output for controlling 0-100% of the connected load to each Master*3.

## NOTES:

- Each SCR incorporates its own zero-firing logic, providing any combination or connection arrangement for single or three phase applications.
- 25A single phase SCR can be mounted in the ASL aluminum convector.
- A Maximum of 8 SCR's is the limit for one thermostat output signal, regardless.
- Each Master and Thermostat will require 24V AC Transformer.

\*\* - For use with DSH and CSH end caps and filler sections only.

## NOTES:

- Blank control sections are subject to the same color selections and pricing as the appropriate matching heater.
- Specify holding coil voltage where applicable.
- Not available in DBA control sections.
- \*\*R (For use with DSH, CSH, and DPH end caps and filler sections only.)
- On all 5inch high steel convectors the two pole thermostat must go in the right hand junction box.

# COMMERCIAL SLOPE TOP CONVECTORS

ST

## APPLICATIONS:

Commercial Slope Top electric convectors provides total or supplemental heating in offices, corridors, lobbies, motel hallways and stairwells, apartment maintenance rooms and stairwells or other similar facilities. Can be mounted under windows to help prevent cold down drafts. This heater is not intended for residential use.



NEMA 4X model shown.

## FEATURES:

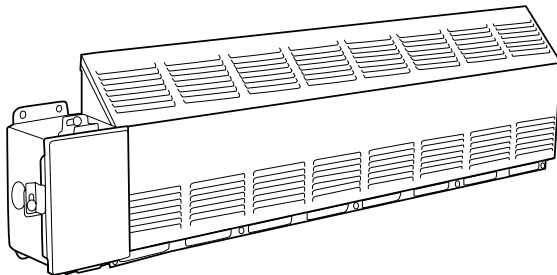
- With a range of heating capacities from 125 watts (426 BTU per hour) to 250 watts (852 BTU per hour) per foot length, these units can run from wall-to-wall or they can be mounted as discrete units in lengths of 28-inches to ten feet.
- The attractive 45 degree sloped top discourages use of heater as a shelf or a "stepstool".
- The unit is designed to mount on the wall at sill height (or lower) and can be positioned directly on the floor. The end of the unit can be positioned against adjacent sidewall if desired.
- Standard finish is neutral grey. Also available in a spectrum of muted architectural colors in baked enamel finishes which are compatible with all interior decors.
- Front cover is fabricated from 16-gauge steel, while the back is constructed of 18-gauge steel. For service, all internal

parts are accessible by removing cover. Top of front cover engages with back; bottom of cover locks into place with screws.

- Elements are long life metal sheath, aluminum fin type anchored to allow for quiet expansion and contraction.
- Thermal limit switch with linear type (full length) sensing bulb provides constant protection against overheating from any cause. The switch will automatically reset when normal operating temperatures are restored.
- Units are prewired. Units without optional controls are designed for either right hand or left hand entry for easy connection of supply wiring from bottom, rear or end, as well multiple wiring of adjacent heaters from one entry point.

- Accessories include a complete line of matching splice sections, inside and outside corners.
- Optional built-in controls consist of: thermostat, disconnect switch, transformer relay, and power relay. (Refer to specification table for ratings.)
- Stainless Steel, NEMA 4X models available for washdown and corrosive applications. Contact Sales Rep. Refer to pricebook for stainless steel NEMA 4X prices.

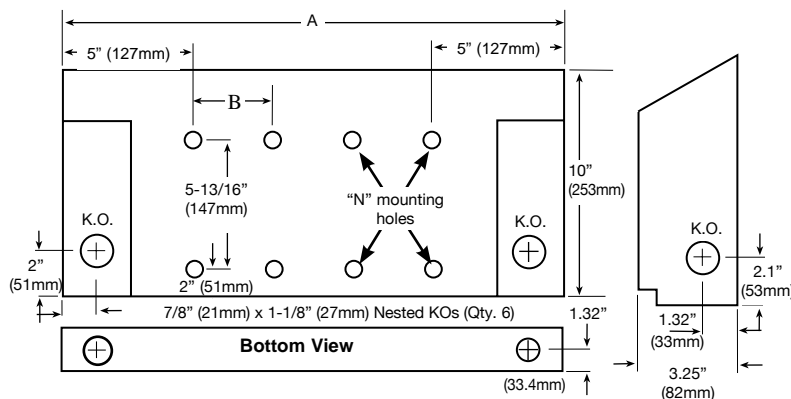
**Note:** These products are Made-to-order and cannot be returned.



The NEMA 4X series slope top convectors were specifically designed for use in wet or corrosive environments like those found in food processing areas, dairies, breweries, locker rooms, stadium dugouts, and other areas that are subject to high pressure hosing and / or constantly wet conditions. They are suitable for use in areas where severe corrosion problems exist from either salt spray or chemical exposure like a sewage treatment plant or indoor swimming pool.

- Rugged 16-gauge Stainless Steel front and back covers.
- NEMA 4X rated for washdown and corrosive environments.
- 250 Watts per foot.
- Automatic thermal cutout.

**Note:** Optional built-in controls are not compatible with the NEMA 4X series of slope top convectors.



**NEMA 4X Models available for washdown and corrosive applications. Contact Sales Representative.**

## SPECIFICATIONS

WATTAGE	DIMENSIONS		
	A	B	N HOLES
500	28" 709 mm		
750	36" 912 mm		
1000	48" 1216 mm	19" 481 mm	2
1250	60" 1520 mm	16.68" 423 mm	4
1500	72" 1842 mm	20.63" 523 mm	4
2000	96" 2432 mm	21.5" 545 mm	6
2500	120" 3040 mm	27.5" 697 mm	6

# HOW TO ORDER THE ST CONVECTORS:

Ex. 4', 250 W/ft., 240V, 1 phase unit with a built-in power on / off switch.

## ST 04 250 24 1 DS



1. Prefix: ST designates 3" x 10" slope top convector
2. Cabinet length:  
02 = 28", 03 = 36", 04 = 48", 05 = 60"  
06 = 72", 08 = 96", 10 = 120"
3. Watt Density:  
125W/ft., 188W/ft., 250W/ft.
4. Voltage: 12 = 120V; 20 = 208V; 24 = 240V; 27=277V;  
34 =347V; 60 = 600V

5. Phase: 1 = 1 PH.
6. Optional built-in controls:  
2T - double pole thermostat  
T - single pole thermostat  
DS - power on / off switch  
PR - power relay  
TR - transformer relay  
PDT - pilot duty thermostat for 347V and 600V

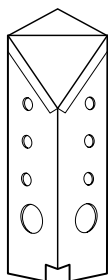
CATALOG NO.	LENGTH	NOMINAL WATTS/TT.	TOTAL HEATING CAPACITY WATTS	BTU/HR.	120V	208V	240V	277V	347V	600V	SHIP WT. (LBS.)
ST02	28"	125	250	853	2.1	1.2	1.0	0.9		-	12
		188	375	1280	3.1	1.8	1.6	1.4	-	-	
		250	500	1706	4.2	2.4	2.1	1.8	1.4	-	
ST03	36"	125	375	1280	3.1	1.8	1.6	1.4	1.1		15
		188	546	1925	4.7	2.7	2.4	2.0	1.6	-	
		250	750	2560	6.2	3.6	3.1	2.7	2.2	-	
ST04	48"	125	500	1706	4.2	2.4	2.1	1.8	1.4		19
		188	750	2560	6.2	3.6	3.1	2.7	2.2	1.3	
		250	1000	3412	8.3	4.8	4.2	3.6	2.9	1.7	
ST05	60"	125	625	2133	5.2	3.0	2.6	2.3	1.8	1.0	24
		188	940	3208	7.8	4.5	3.9	3.4	2.7	1.6	
		250	1250	4266	10.4	6.0	5.3	4.5	3.6	2.1	
ST06	72"	125	750	2560	6.2	3.6	3.1	2.7	2.1	1.3	26
		188	1125	3840	9.4	5.4	4.7	4.1	3.2	1.9	
		250	1500	5120	12.5	7.2	6.3	5.4	4.3	2.5	
ST08	96"	125	1000	3412	-	4.8	4.2	3.6	2.9	1.7	37
		188	1500	5120	-	7.2	6.3	5.4	4.3	2.5	
		250	2000	6824	-	9.6	8.3	7.2	5.8	3.3	
ST10	120"	125	1250	4266	-	6.0	5.2	4.5	3.6	2.1	45
		188	1875	6400	-	9.0	7.8	6.8	5.4	3.1	
		250	2500	8532	-	12.0	10.4	9.0	7.2	4.2	

## OPTIONAL BUILT-IN CONTROLS AND OPTIONAL ACCESSORIES

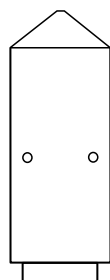
SUFFIX ADDITION TO BASIC CAL.NO. (SEE NOTE 4)	OPTIONAL BUILT-IN CONTROLS (SEE NOTE 5)	RATINGS (SEE NOTE 2)
*T	1-Pole Thermostat	Rated 24 amps @ 120-240 VAC and 22 amps @ 277 VAC. Pilot duty rating of 125 VA (all voltages). 60-120°F temperature range; adjustable through outlet grille-tamper-resistant. Not available on three-phase heaters.
*2T	2-Pole Thermostat	Rated 24 amps @ 120-240 VAC and 22 amps @ 277 VAC. Pilot duty rating of 125 VA (all voltages). 60-120°F temperature range; adjustable through outlet grille-tamper-resistant. (See Note 2 for amperage restrictions.)
*DS	Power On / Off Switch	Double-pole, rated 20 amp @ 120-277 VAC. Two required for 3Ø heaters and 1Ø heaters over 20 amps. (See Note 1)
*TR	Transformer Relay	Single-pole, low voltage relay with built-in transformer (24 VAC control), rated 25 amps @ 120-240 VAC and 22 amps @ 277 VAC. 17 amps @ 347V, 12 amps @ 600V (See Note 6). Not available on 3Ø heaters.
*PR	Power Relay	Single-pole magnetic relay, rated 18 amps @ 120-600 VAC. (See Notes 1, 3 and 6.) Specify control voltage. Rated 24 amps @ 120-240 VAC and 22 amps @ 277 VAC. Pilot duty rating of 125 VA (all voltages).
ICSTIC	2	Inside corner (requires additional wall space - use with ST model only).
ICSTOC	2	Outside corner (requires additional wall space - use with ST model only).
ICSTJS	1	Splice plate wide, coverage gap up to 1/2" (use with ST model only).
STO2BS		2-foot Blank Section (unheated section).
STO4BS		4-foot Blank Section (unheated section).
STO6BS		6-foot Blank Section (unheated section).
STO8BS		8-foot Blank Section (unheated section).

**NOTE:** For 347V and 600V units options T, 2T, DS, are not available. Specify PDT as the suffix for a thermostat.

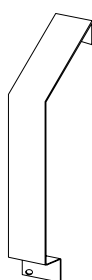
## ACCESSORIES:



ICSTOC



ICSTIC



ICSTJS

## NOTES:

- \* Factory built-in. Add suffix to heater catalog number..
- 1 For 1Ø loads over 20A and all 3Ø loads, specify 2 power on / off switches.
- 2 A control combination is not available on heaters that have an amperage draw which exceeds the rated limit of the lowest rated control.
- 3 This control combination is not available on 2-element heaters drawing more than 36 amperes, single-phase 3-element heaters drawing more than 54.0 amperes, or three-phase heater drawing more than 18 amperes per line.
- 4 To develop a catalog no. for a heater with built-in controls, add the appropriate letters as suffix to the basic heater catalog no. Example: CSLAS4250TDS is a CSL, 4 foot long, 250 watts per foot, with a thermostat and power on / off switch.
- 5 For non-standard controls or combinations, contact Factory.
- 6 Specify holding coil voltage where applicable.
- 7 To develop a catalog no. for any accessory with built-in device, add the appropriate letter as suffix to the basic accessory Catalog Number.

# RADIANT CEILING PANELS

CP

## APPLICATIONS:

For complete or supplemental heating in commercial, residential and institutional structures—new or remodeled construction of offices, classrooms, family rooms, bathrooms - whenever the utility and comfort of radiant ceiling heating is desired.

## FEATURES:

Radiant ceiling panel applications as primary or supplemental heat include:

- Commercial building perimeters to neutralize down-drafts over glass, enclosed outside walkways, and washrooms.
- School locker rooms, cafeterias, laboratories and classrooms.
- Hospital burn and trauma areas, recovery and examination rooms.
- Residential isolated cold spots, above sliding glass doors and floor to ceiling windows.
- Clean, gentle, comfortable heat that is ideal for offsetting perimeter heat loss; saving substantial energy over other systems by heating people and objects rather than all the air in a room or building.
- People are comfortable at lower room temperatures with a radiant system than with a hot air convective system - comfortable in the 60's rather than in the 70's. And lower thermostat settings can save hundreds of dollars in energy bills each year.
- Ceiling panels allow full usage of wall and floor space. No noise. No moving parts. No maintenance. No ceilings, walls or drapes to clean. No dried out air.
- A simple system, easy to install, easy to control room by room without wasting energy needlessly heating unoccupied spaces.



**BUILDING RESTORATION:** Ceiling panels make attractive, energy saving restoration of old buildings possible or they can be used to replace expensive, outdated heating systems.

Radiant ceiling panels allow full usage of wall and floor space.

No noise.

No moving parts.

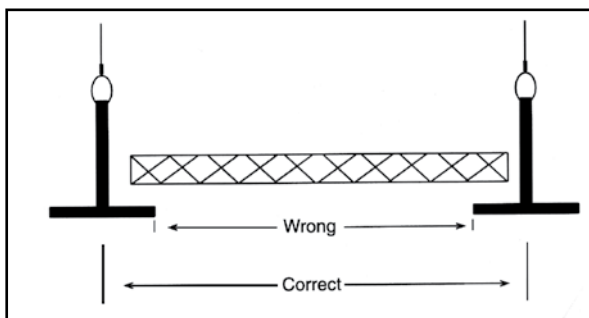
No maintenance.

No ceiling, walls or drapes to clean.

No dried out air.



Measuring for Custom Ceiling Panels:



- Panels are built to fit inside the dimensions given.
- Measurements must be from "T" Bar Center Line to "T" Bar Center Line.
- Do Not Measure Opening.

# HEATING PANEL

## STANDARD FEATURES CUTAWAY DRAWING OF HEATING PANEL

### METAL:

Back - 24 Gauge Galvanized or Aluminized Steel.  
 Front - 22 Gauge Galvanized or Aluminized Steel.  
 Sides - Overlapping Front and Back.

### WIRE:

Internal - 200°C, 14 Gauge, Teflon insulated.  
 External - Pig Tails with 48" of 1/2" flexible conduit and connector for J-Box.

### ELEMENT:

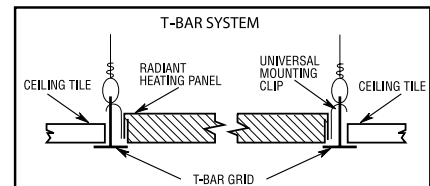
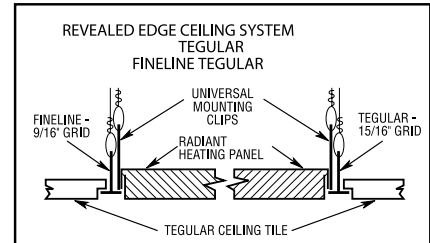
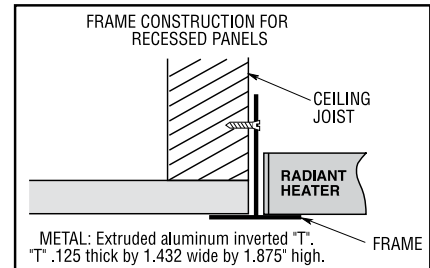
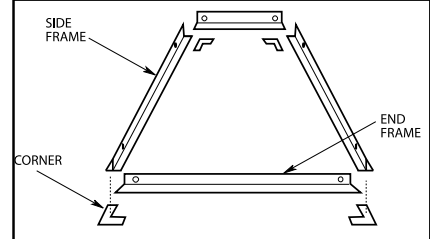
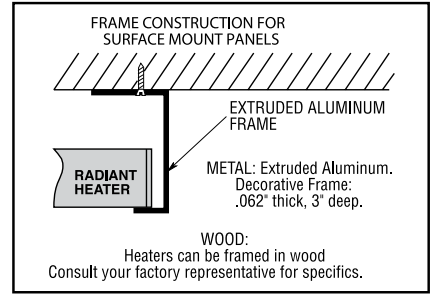
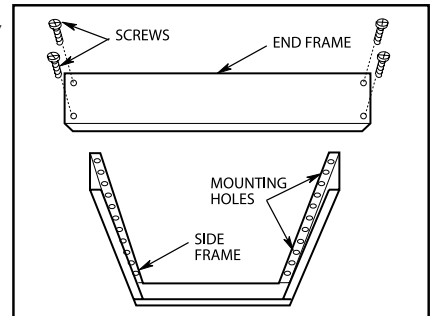
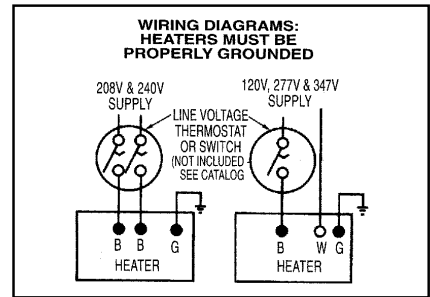
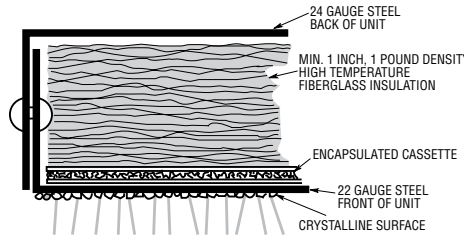
The encapsulated cassette element delivers a uniform temperature distribution over entire panel surface.

### INSULATION:

Minimum 1 inch, 1 pound density, high temperature fiberglass.

### SURFACE:

All ceiling and wall mounted panels are coated with unique crystalline surface. Birch white finish.



CATALOG NO.	UPC 6 85360	VOLTS	WATTS	AMPS	SIZE	SHIP WT. (LBS.)
CP251	01658 0	120	250	2.1	24"x24"	15
CP258	01663 4	208	250	1.2	24"x24"	15
CP252	01659 7	240	250	1.0	24"x24"	15
CP257	01662 7	277	250	0.9	24"x24"	15
CP253	01660 3	347	250	0.7	24"x24"	15
CP311	01669 6	120	310	2.6	24"x24"	15
CP318	01674 0	208	310	1.5	24"x24"	15
CP312	01670 2	240	310	1.3	24"x24"	15
CP317	01671 9	277	310	1.1	24"x24"	15
CP313	01673 3	347	310	0.9	24"x24"	15
CP371	01675 7	120	375	3.1	24"x24"	15
CP378	01685 6	208	375	1.8	24"x24"	15
CP372	01676 4	240	375	1.6	24"x24"	15
CP377	01677 1	277	375	1.4	24"x24"	15
CP373	01684 9	347	375	1.1	24"x24"	15
CP501	01691 7	120	500	4.2	24"x48"	28
CP508	01696 2	208	500	2.4	24"x48"	28
CP502	01692 4	240	500	2.1	24"x48"	28
CP507	01695 5	277	500	1.8	24"x48"	28
CP503	01693 1	347	500	1.4	24"x48"	28
CP621	01697 9	120	625	5.2	24"x48"	28
CP628	01707 5	208	625	3.0	24"x48"	28
CP622	01698 6	240	625	2.6	24"x48"	28
CP627	01706 8	277	625	2.3	24"x48"	28
CP623	01699 3	347	625	1.8	24"x48"	28
CP751	01713 6	120	750	6.3	24"x48"	28
CP758	01718 1	208	750	3.6	24"x48"	28
CP752	01714 3	240	750	3.1	24"x48"	28
CP757	01717 4	277	750	2.7	24"x48"	28
CP753	01715 0	347	750	2.1	24"x48"	28

CATALOG NO.	UPC 6 85360	DESCRIPTION
QSF2424	20184 3	Surface Mounting Frame for 24" x 24" Panels
QSF2448	20185 0	Surface Mounting Frame for 24" x 48" Panels
QRF2424	20186 7	Recess Mounting Frame for 24" x 24" Panels
QRF2448	20187 4	Recess Mounting Frame for 24" x 48" Panels

**ELEMENT** - Encapsulated cassette heating element assures uniform temperatures and long life.

**WIRING** - For connection to the main power supply, the heater is completely prewired including green ground wire, with the lead wires housed in a 48-inch length of flexible metal conduit and connector for J-Box mounting.

**STANDARD FINISH** - Standard mounting kits finished white to blend with standard panel birch white finish.

**UNIVERSAL HANGING CLIPS** - All radiant ceiling panels are supplied with COMBINATION EARTHQUAKE/T-BAR GRIP CLIPS as a standard feature. These clips have holes for

support chains or can be folded over the T-BAR to reduce lateral movement.

### CERTIFICATION AND SAFETY FIRE RATING

- Heating panels do not have a fire rating, but construction is of fire retardant materials. Panels normally are treated like light fixtures. If necessary, acoustical tile can be placed on top of the panels.

**HAZARDOUS AREAS** - Heating panels do not have a hazardous rating.



## CUSTOM FEATURES

**CUSTOM SIZE PANELS** - While a wide variety of panel sizes are listed as standard, the factory produces thousands of panels each year of varying widths and lengths to order.

CATALOG NUMBER	PANEL WIDTH	WALL DENSITY	WATTS PER PANEL						
			NOMINAL PANEL LENGTH						
			24" - 35"	36" - 47"	48" - 59"	60" - 71"	72" - 83"	84" - 95"	96"
QT+**@@#	10" - 13"	High	155	235	315	390 <sup>^</sup>	N/A	N/A	N/A
		Med.	130	195	260	325 <sup>^</sup>	N/A	N/A	N/A
		Low	105	155	210	260 <sup>^</sup>	N/A	N/A	N/A
	14" - 17"	High	235	350	470	585 <sup>^</sup>	N/A	N/A	N/A
		Med.	195	295	390	490 <sup>^</sup>	N/A	N/A	N/A
		Low	155	235	315	390 <sup>^</sup>	N/A	N/A	N/A
	18" - 21"	High	315	470	625	780	940 <sup>^^</sup>	N/A	N/A
		Med.	260	390	520	650	780 <sup>^^</sup>	N/A	N/A
		Low	210	315	415	520	625 <sup>^^</sup>	N/A	N/A
	22" - 28"	High	375	565	750	940	1125	1315	1500
		Med.	310	470	625	785	940	1095	1250
		Low	250	375	500	625	750	875	1000

**LEGEND:** +Watt Density: H=High; M=Medium; L=Low  
 \*\*Width of Panel  
 @Length of Panel  
 Note: These products are Made-to-order and cannot be returned. 2 = 240; 7 = 277; 3 = 347  
<sup>^</sup>Maximum Panel Length = 60 inches  
<sup>^^</sup>Maximum Panel Length = 72 inches  
<sup>#</sup>Voltage Designation: 1 = 120, 8;

**PANEL FRONTS FOR CONTINUOUS CEILING LINE** - To provide a continuous ceiling line around the perimeter of a building, the factory can provide panel fronts to be interspersed between the functioning heating panels.

**SEAL TIGHT FLEXIBLE CONDUIT AND CONNECTORS** - Radiant ceiling panels come with 1/2" greenfield flexible conduit and straight connectors as standard equipment. Seal tight connectors and conduit can be substituted at the factory if panels are to be used in high moisture areas or if required by local electrical codes.

**FACTORY SILICONE SEALED - PANELS FOR USE IN HIGH MOISTURE AREAS.** Exterior moisture and condensation do not affect heating panel performance, but water inside the unit can cause the panel to fail. Panels being used in locker rooms and swimming pool areas should be totally sealed with silicone at the factory before shipment. If there is a chance of moisture above the ceiling, then seal tight conduit and seal tight connectors also should be used.

**LONGER FLEXIBLE CONDUIT** - Panels will replace the standard 48" greenfield with up to 11' of 1/2" flexible conduit.

**CONTROLS** - P/E Switches - factory prewired to heaters. 20 amps - 120V, 240V, 208V and 277V. Power Relay - factory prewired to heaters. 30 amps single pole, 120 volt holding coil.

**HEAVIER DUTY PANELS** - For special installation the factory can use heavier gauge steel in the construction of the panels.

**STAINLESS STEEL CONSTRUCTION PANELS FOR CHLORINE STORAGE AREAS** - Special stainless steel panels are available for chlorine storage areas. Panels will be equipped with seal tight connectors and silicone sealed. If orders call for stainless steel construction the panels will be painted unless specified different.

**MODULAR WIRING SYSTEMS** For specific jobs, the factory can substitute modular connector for the straight connectors and pig tails that are standard equipment.

## CUSTOM SIZE FRAMES - ACCESSORIES

CUSTOM PANEL OPTIONS	DESCRIPTION
QSF**@@	Surface Mounting Frame
QRF@@	Recess Mounting Frame

**TEGULAR (revealed edge)** - Tegular systems may utilize a standard grid with a 10/16" cross-T or a "fine line" grid with a 9/16" cross-T. The acoustical title is notched to hang below the grid creating the revealed edge. Tegular panels are built with a support angle on all four sides to allow the panel front to drop flush with the finished ceiling. Tegular and Fine line Tegular panels are supplied standard with universal mounting clips installed for support chain.

**SILKSCREEN** - Radiant heating panels can be silk screened to provide an architectural blend with leading acoustical titles. For T-bar, concealed spline and Tegular ceiling systems.

**CUSTOM COLORS** - Radiant heating panels can be painted any color desired with high temperature acrylic paints without affecting panel performance. Radiant energy is emitted from heating panels in the 8-10 micron wavelength range. One of the principal characteristics of the wavelength is that it is not color selective as are shorter wavelengths. Consequently, the surface color of the panel is unimportant to heating efficiency and can be considered solely in the light of aesthetics.

CUSTOM PANEL OPTIONS	DESCRIPTION
<b>SILKSCREEN</b>	To provide an architectural blend with leading ceiling tile, 2' X 5' max. there is a panel charge each time. See pricebook. If QMark® does not have a tile pattern screen there is an additional one time charge. See pricebook.
<b>CUSTOM PAINT</b>	Solid color custom painted panel - To provide an accent strip.
<b>TEGULAR or FINELINE TEGULAR</b>	Tegular - Reveal edge detail - (For 15/16" grid) CONSTRUCTION Fineline Tegular - Reveal edge detail - (For 9/16" grid)
<b>EXTRA-LENGTH GREENFIELD FLEX (1/2" x 48" STANDARD)</b>	Custom Flex Length: 1/2" x 60" 1/2" x 72" 1/2" x 84" 1/2" x 96" 1/2" x 108" 1/2" x 120" 1/2" x 132"
<b>SEALTITE CONDUIT</b>	1/2" x 48" 1/2" x 60" 1/2" x 72" 1/2" x 84" 1/2" x 96" 1/2" x 108" 1/2" x 120" 1/2" x 132"
<b>SILICONE SEAL</b>	Seams sealed for added moisture protection. For use in shower rooms and above pool windows.
<b>STAINLESS STEEL CONSTRUCTION</b>	Stainless steel - 22 gauge front panel, 24 gauge back panel. Includes 1/2" x 48" sealtite flex and silicone seal.
<b>HEAVY DUTY CONSTRUCTION</b>	16 gauge Galvanized or Aluminized Steel front panel. 18 gauge Galvanized or Aluminized Steel back panel.
<b>FILLER PANELS</b>	Finished to match Standard, Silkscreen or Custom painted panel. Does not contain an element or flex conduit. Standard construction: Front only. Tegular / Fineline Tegular: Front and back only.
<b>PE SWITCH</b>	Pneumatic electric switch.
<b>POWER CONTACTOR</b>	Power contactor.

# COVE HEATERS

## RCC



### FEATURES:

- Dual function heating.
- "Sunshine" type heating.
- Room comfort at lower temperatures.
- Convenient wall mounting.
- High efficiency textured radiating surface.
- Easy surface mount installation.
- Unique hanging system.
- New profile for maximum convection.



File #E21609

### APPLICATIONS:

Type RCC Series Cove Heaters can fulfill the requirements of virtually any type residential or commercial heating situation. Individual room control, ease of installation and out of the way mounting make it equally desirable for total or supplemental comfort heating. Typical uses are day care centers, apartments, bathrooms, bedrooms, living rooms, kitchens, and foyers.

COLOR COORDINATED: Heaters are an off-white color to complement any interior wall design. (Dove Grey DG and Desert Tan DT are optional)

"INFRARED" TYPE HEAT – Radiant heat provides heating comfort in much the same manner as the sun. Heat energy, in form similar to light rays, travel in a straight line from the heater to the nearest object, where the energy is absorbed and the object becomes warm. Some rays are reflected and strike other objects, warming them also.

DUAL FUNCTION HEATING: In addition to radiant heat, the RCC Series uses part of its energy to heat air passing behind and over the heater by convection flow, thus helping to "mix" the air in the room and achieving balanced heating throughout.

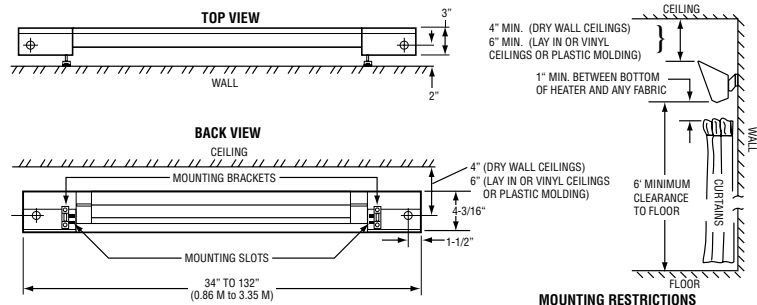
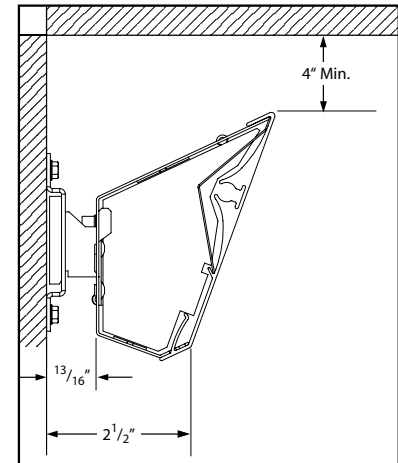
COMFORT AT LOWER TEMPERATURES – In non-radiant types of heating systems, it is necessary to warm and circulate air in order to keep the temperature in a room at a comfortable level. The warmer air warms the furniture and people in the room. With radiant heating, furniture and people are heated directly. The surrounding air eventually becomes warm, but the comfort level is not dependent upon the air temperature. Room temperature can be lowered 3 to 5 degrees while still maintaining the same comfort level. Furniture, walls, floors, etc., absorb some of the energy and act as a heat bank, releasing some of the warmth into the room during the "off" period of the normal "on-off" cycle of the cove heaters.

NEW EXTRUSION DESIGN: The extruded aluminum front panel is coated with high temperature textured paint radiating a majority of its heat energy from the front surface. The remaining energy is "wiped off" by a convection flow behind and over the top of the heater which circulates warm air into the room.

WALL MOUNTING – This cove heater mounts on any wall surface, near the ceiling where its dual function heating can be fully utilized. Radiant heat energy is directed downward, warming people and objects near the floor.

### SELECTION CHART

CATALOG NUMBER	UPC 6 85360	WATTS	VOLTS	BTUH	AMPS	LENGTH (INCHES)	SHIP WT. (LBS.)	
RCC4508C	14717 8	450W	208V	1536	2.2	34	4	
RCC4512C	14718 5		120V		3.7	34		
RCC4524C	14719 2		240V		1.9	34		
RCC6008C	14720 8	600W	208V	2048	2.9	47	6	
RCC6012C	14721 5		120V		5.0	47		
RCC6024C	14722 2		240V		2.5	47		
RCC6027C	14723 9		277V		2.2	47		
RCC7508C	14724 6	750W	208V	2560	3.6	59	7	
RCC7512C	14725 3		120V		6.2	59		
RCC7524C	14726 0		240V		3.1	59		
RCC7527C	14727 7		277V		2.7	59		
RCC9008C	14728 4	900W	208V	3072	4.3	71	8	
RCC9012C	14729 1		120V		7.5	71		
RCC9024C	14730 7		240V		3.7	71		
RCC9027C	14731 4		277V		3.2	71		
RCC10508C	14732 1	1050W	208V	3583	5.0	83	9	
RCC10512C	14733 8		120V		8.8	83		
RCC10524C	14745 1		240V		4.4	83		
RCC10527C	14734 5		277V		3.8	83		
RCC12008C	14735 2	1200W	208V	4095	5.8	94	10	
RCC12012C	14736 9		120V		10.0	94		
RCC12024C	14737 6		240V		5.0	94		
RCC12027C	14738 3		277V		4.3	94		
RCC15008C	14739 0	1500W	208V	5120	7.2	118	13	
RCC15024C	14740 6		240V		6.2	118		
RCC15027C	14741 3		277V		5.4	118		
RCC18008C	14742 0	1800W	208V	6142	8.7	132	15	
RCC18024C	14743 7		240V		7.5	132		
RCC18027C	14744 4		277V		6.5	132		
RCCT	06566 3	Integral Thermostat: Range 45-90°F will positive off.						1
RCCSPC	14766 6	Splice Plate Assembly.						2



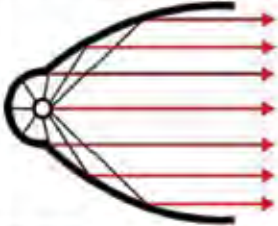
# INFRARED HEATERS

## APPLICATIONS

- Houses, Basements, Patios.
- Inside / Outside Work Areas.
- Changing rooms, Sports and Fitness Areas, Health Spas, Swimming Pools.
- Terraces, Open Outdoor Areas, Winter Gardens, Verandas.
- Outdoor Bar Areas and Gazebos.
- Restaurants, Hotels and Pubs.

## MOUNTING LIMITATIONS:

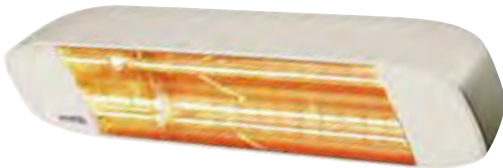
- This heater is intended for wall mounting only using the wall bracket provided with heater.
- Heater must be mounted at least 8' 3" (2.5 M) off of the floor.
- Do not mount heater to ceiling.
- Top of heater must be located at least 12" (305 mm) from the ceiling with ends at least 36" (914 mm) from walls.



**DESIGN**

Qmark® Infrared heaters optimize short wave infrared energy by means of computer designed parabolic reflectors. These are fundamental to the high performance of our heaters. In our heaters more than 60% of the heat is generated by the reflector and 40% by the tube. This is because heat radiation obeys the laws of optics both in terms of reflection and refraction. Qmark® has designed and produced a full range of special reflectors that optimize infrared performance using different reflectors tailored to the heaters application. Qmark® reflector technology is the result of detailed theoretical research and experimentation. This wealth of experience in the study of refraction has led to the development of our high performance symmetrical reflectors, providing measurable energy savings.

## INFRARED PLUG-IN HEATERS - QHRA11 SERIES



CATALOG NUMBER	UPC	VOLTS	PHASE	AMPS	WATTS	BTU/HR.	DIMENSIONS (L x W x H)	SHIP WT. LBS. (kg)
QHRA11115W	6 85360 16371 0	120	1	12.5	1500	5115	17-15/16" x 3-1/2" x 5-1/8"	4.2 (1.9)

## INFRARED HEATERS - QHRA66 SERIES



CATALOG NUMBER	UPC	VOLTS	PHASE	AMPS	WATTS	BTU/HR.	DIMENSIONS (L x W x H)	SHIP WT. LBS. (kg)
QHRA66420B	6 85360 16380 2	240	1	8.45	2000	6824	20-1/16" x 6-1/4" x 8-1/12"	6.6 (3)

## COMMERCIAL INFRARED HEATERS - QVRC44 SERIES



QVRC4420SG



QVRC4440DTG



QVRC4440DWG



CATALOG NUMBER	UPC	VOLTS	PHASE	AMPS	WATTS	BTU/HR.	DIMENSIONS (L x W x H)	SHIP WT. LBS. (kg)
QVRC4420SG	6 85360 16382 6	240	1	8.4	2000	6824	15-3/4" x 4-3/4" x 8-11/16"	6.8 (3.1)
QVRC4440DTG	6 85360 16383 3	240	1	16.7	4000	13648	15-3/4" x 5-1/8" x 13-3/4"	9 (4.1)
QVRC4440DWG	6 85360 16385 7	240	1	16.7	4000	13648	31-1/2" x 4-3/4" x 5-1/8"	11 (5)

## 2 ELEMENT & 3 ELEMENT INFRARED HEATERS - FRP/FRS

### APPLICATIONS:

Total or supplement (spot) heating in commercial and industrial areas, assembly lines, aircraft hangers, outside smoking areas, work stations and shipping areas.

Snow melting for waiting areas and entryways, stairs, parking lots, driveways and loading docks, smoking areas.

Available with Stainless Steel or Painted Steel enclosure.

Double element and three element heaters provide concentrated heating capacity in a single infrared radiant heater.

### FEATURES:

- Two or three element design.
- Painted or Stainless Steel enclosure.
- Heavy gauge gold anodized reflectors, offer a wide selection of beam patterns.
- Easy one person installation - attach upper mounting support to ceiling or optional wall bracket, rough in wiring, hang heater by tabs to complete wiring, swing heater into place to complete installation.

**Type FRP** – 20 gauge galvanized steel enclosure and heater support / wiring compartment painted in a Statuary Bronze powder coat finish.

**Type FRS** – Type 304, brush finished, 20 gauge, stainless steel enclosure and heater support / wiring compartment for applications requiring additional corrosion resistance.



### ELEMENTS

**METAL SHEATH, QUARTZ TUBE OR QUARTZ LAMP ELEMENTS** – used interchangeably provide the flexibility necessary for multiple application projects.

**METAL SHEATHED ELEMENTS** – used indoors, or outdoors protected from the wind, in areas where physical abuse is a problem.

**QUARTZ TUBE AND QUARTZ LAMP** – used indoors and outdoors in areas where abuse is not a problem for snow melting and spot heating.

Pigtail element leads for a more positive connection on applications where physical abuse is a problem.

2 ELEMENT ENCLOSURE					DIMENSIONS			
PAINTED CATALOG NUMBER	UPC 6-85360	STAINLESS CATALOG NUMBER	UPC 6 85360	REFLECTIVE ANGLE	HEIGHT in (mm)	WIDTH in (mm)	LENGTH in (mm)	SHIP WT. LBS. (kg)
FRP223S	02931 6	FRS223S	03051 7	30 Sym	7.125 (181)	15 (381)	24 (610)	19 (8.6)
FRP226S	02846 0	FRS226S	03067 8	60 Sym				
FRP226AS	02839 2	FRS226AS	03059 3	60 Asym				
FRP229S	02854 5	FRS229S	03075 3	90 Sym	7.125 (181)	15 (381)	33 (838)	24 (10.9)
FRP233S	02870 5	FRS233S	03075 3	30 Sym				
FRP236S	02886 6	FRS236S	03091 3	60 Sym				
FRP236AS	02878 1	FRS236AS	03107 1	60 Asym	7.125 (181)	15 (381)	46 (1168)	31 (14.1)
FRP239S	02894 1	FRS239S	03099 9	90 Sym				
FRP243S	02907 8	FRS243S	03115 6	30 Sym				
FRP246S	02917 7	FRS246S	03138 5	60 Sym	7.125 (181)	15 (381)	46 (1168)	31 (14.1)
FRP246AS	02912 2	FRS246AS	03133 0	60 Asym				
FRP249S	02922 2	FRS249S	03143 9	90 Sym				

3 ELEMENT ENCLOSURE					DIMENSIONS			
PAINTED CATALOG NUMBER	UPC 6-85360	STAINLESS CATALOG NUMBER	UPC 6 85360	REFLECTIVE ANGLE	HEIGHT in (mm)	WIDTH in (mm)	LENGTH in (mm)	SHIP WT. LBS. (kg)
FRP323S	02935 1	FRS323S	03156 9	30 Sym	7.125 (181)	21.5 (546)	24 (610)	23 (10.4)
FRP326S	02951 1	FRS326S	03172 9	60 Sym				
FRP326AS	02943 6	FRS326AS	03164 4	60 Asym				
FRP329S	02959 7	FRS329S	03180 4	90 Sym	7.125 (181)	21.5 (546)	33 (838)	31 (14.1)
FRP333S	02975 7	FRS333S	03197 2	30 Sym				
FRP336S	02991 7	FRS336S	03213 9	60 Sym				
FRP336AS	02983 2	FRS336AS	03205 4	60 Asym	7.125 (181)	21.5 (546)	46 (1168)	39 (17.7)
FRP339S	02999 3	FRS339S	03221 4	90 Sym				
FRP343S	03012 8	FRS343S	03234 4	30 Sym				
FRP346S	03025 8	FRS346S	03244 3	60 Sym	7.125 (181)	21.5 (546)	46 (1168)	39 (17.7)
FRP346AS	03020 3	FRS346AS	03239 9	60 Asym				
FRP349S	03030 2	FRS349S	03249 8	90 Sym				



# 2 ELEMENT & 3 ELEMENT INFRARED HEATERS

## FRP/FRS

### ELEMENT SELECTION CHART (1)

CATALOG NUMBER	UPC 6-85360	VOLTS	ELEMENT WATTS	ELEMENT TYPE	USED WITH FIXTURE	SHIP WT. LBS. (kg)
F2MS08208	03275 7	208	850	Metal Sheath	FRP22 (22"L) FRS22 (24"L)	1 (454)
F2MS08240	03276 4	240				
F2MS08277	03277 1	277				
F2MS08347	03278 8	347				
F2MS08480	03280 1	480				
F2MS08600	03281 8	600	1000	Quartz Tube	FRP32 (24"L) FRS32 (24"L)	1 (454)
F2QT10208	03289 4	208				
F2QT10240	03290 0	240				
F2QT10277	03291 7	277				
F2QL16208	03282 5	208				
F2QL16240	03283 2	240				
F2QL16277	03284 9	277				
F2QL16347	03285 6	347				
F2QL16480	03287 0	480				
F2QL16600	03288 7	600				
F3MS15208	03323 5	208	1500	Metal Sheath	FRP2 (33"L) FRS2 (33"L)	1 (454)
F3MS15240	03324 2	240				
F3MS15277	03325 9	277				
F3MS15347	03326 6	347				
F3MS15480	03328 0	480				
F3MS15600	03329 7	600				
F3QT15208	03337 2	208				
F3QT15240	03338 9	240				
F3QT15277	03339 6	277				
F3QT15347	03340 2	347				
F3QT15480	03342 6	480				
F3QT15600	03343 3	600				
F3QL25208	03330 3	208	2500	Quartz Lamp	FRP3 (33"L) FRS3 (33"L)	1 (454)
F3QL25240	03331 0	240				
F3QL25277	03332 7	277				
F3QL25347	03333 4	347				
F3QL25480	03335 8	480				
F3QL25600	03336 5	600				
F4MS20208	03344 0	208				
F4MS20240	03345 7	240				
F4MS20277	03346 4	277				
F4MS20347	03347 1	347				
F4MS20480	03349 5	480				
F4MS20600	03350 1	600				
F4QT20208	03355 6	208	2000	Quartz Tube	FRP3 (46"L) FRS3 (46"L)	1 (454)
F4QT20240	03356 3	240				
F4QT20277	03357 0	277				
F4QT20347	03358 7	347				
F4QT20480	03360 0	480				
F4QT20600	03361 7	600				
F4QL36347	03351 8	347				
F4QL36480	03353 2	480				
F4QL36600	03354 9	600				

#### APPLICATION LIMITATIONS and PRECAUTIONS:

**HAZARDOUS ATMOSPHERE** – These heaters are not suitable for use in hazardous locations.

**MOUNTING CLEARANCES** – Maintain minimum clearances of:

- 24" (610 mm) to vertical side walls.
- 36" (914 mm) between heaters mounted side by side. Heaters may be mounted end to end.
- 6" (152 mm) to ceiling.
- 84" (2134 mm) to floor.

Maintain at least 5 ft. (1.5 m), in radiant path, between bottom of heater and combustible material.

**CORROSIVE ATMOSPHERES** – The high quality finish and aluminized steel of the FRP series will give excellent service under normal to severe operating conditions, including coastal salt air and most industrial atmospheres. However for severe conditions such as swimming pool, green houses, etc., the FRS stainless steel enclosure should be used.

(1) 1 element per carton order, 2 for 2 element enclosure or 3 for 3 element enclosures.

\*\* Denotes remaining catalog number (See Enclosure Chart).

\*\*\* Denotes voltage.

### OPTIONAL MECHANICAL ACCESSORIES

CATALOG NO.	UPC 6 85360	DESCRIPTION	USE WITH FIXTURE	CARTON QTY.	SHIP WT. LBS. (kg)
FWG22	08406 0	Wire Guard for 2 Element Heaters	FRS2/FRP2 (24"L)	1	1 (454)
FWG23	08407 7	Wire Guard for 2 Element Heaters	FRS2/FRP2 (33"L)	1	1.5 (680)
FWG24	08408 4	Wire Guard for 2 Element Heaters	FRS2/FRP2 (46"L)	1	2 (907)
FWG32	08409 1	Wire Guard for 3 Element Heaters	FRS3/FRP3 (24"L)	1	1.5 (680)
FWG33	08410 7	Wire Guard for 3 Element Heaters	FRS3/FRP3 (33"L)	1	2 (907)
FWG34	08411 4	Wire Guard for 3 Element Heaters	FRS3/FRP3 (46"L)	1	2.5 (1134)
FRPATMB	08402 2	Adjustable Tilt Mounting Bracket - FRP Series		1 Set	1 (454)
FRSATMB	08404 6	Adjustable Tilt Mounting Bracket - FRS Series		1 Set	1 (454)
FRPWMB	08403 9	Wall Mounting Bracket - FRP Series		1 Set	6 (2722)
FRSWMB	08405 3	Wall Mounting Bracket - FRS Series		1 Set	6 (2722)
RVS2	13765 0	24" Red Vycor sleeve	FR(*)22/FR(*)32	1	
RVS3	13766 7	33" Red Vycor sleeve	FR(*)23/FR(*)33	1	
RVS4	13767 4	46" Red Vycor sleeve	FR(*)24/FR(*)34	1	

### 2 ELEMENT ENCLOSURE

LENGTH	MAXIMUM WATTAGE		
	METAL SHEATH	QUARTZ TUBE	QUARTZ LAMP
24"	1700	2000	3200
33"	3000	3000	5000
46"	4000	4000	7300

### 3 ELEMENT ENCLOSURE

LENGTH	MAXIMUM WATTAGE		
	METAL SHEATH	QUARTZ TUBE	QUARTZ LAMP
24"	2500	3000	4800
33"	4500	4500	7500
46"	6000	6000	10950

# SINGLE ELEMENT INFRARED HEATERS

## HRK

### APPLICATIONS:

Total or supplemental (spot) indoor heating in residential, commercial and light industrial areas, assembly lines, work stations, aircraft hangers, loading docks, and shipping areas.



### APPLICATION LIMITATIONS AND PRECAUTIONS:

Hazardous Atmosphere – These heaters are **not** suitable for use in hazardous locations.

#### INDOOR USE ONLY

MOUNTING CLEARANCES – Maintain minimum clearances of:

- 12" (305 mm) to vertical side walls.
- 36" (914 mm) between heaters mounted side by side. Heaters may be mounted end to end.
- 3" (76 mm) to ceiling.
- 8' (2.4 m) to floor.

Maintain at least 5 ft. (1.5 m), in radiant path, between bottom of heater and combustible material.

CORROSIVE ATMOSPHERES – The high quality finish and steel internal sheet metal parts will give excellent service under most operating conditions, including coastal salt air and most industrial atmospheres. However, the finish is not intended for direct salt spray exposure in marine applications or highly corrosive greenhouse, swimming pool, chemical storage or industrial atmospheres.

### FEATURES:

- Painted Steel enclosure with gold anodized 60 degree symmetrical reflector and Quartz Tube element.
- For indoor use, horizontal mounting.
- Mounts to ceiling with supplied chains or to wall using the optional FRP-WMB wall mounting bracket.
- High efficiency gold anodized reflector has one of the highest levels for radiating heat energy.
- No moving parts, No noise, No maintenance, easy to install.
- Optional HWG wire guard provides a protective safety screen that helps prevent objects coming in contact with the hot element.

CATALOG NO.	UPC 6 85360	VOLTS	WATTS	DIMENSIONS			SHIP LENGTH in. (mm)	SHIP WT. lbs. (kg)
				REFLECTIVE ANGLE	HEIGHT in. (mm)	WIDTH in. (mm)		
HRK41512	08280 6	120	1500	60 Sym	3.375 (86)	5.5 (140)	46 (1168)	9 (4.1)
HRK42020	08281 3	208	2000	60 Sym	3.375 (86)	5.5 (140)	46 (1168)	9 (4.1)
HRK42024	08282 0	240	2000	60 Sym	3.375 (86)	5.5 (140)	46 (1168)	9 (4.1)
HRK42027	08283 7	277	2000	60 Sym	3.375 (86)	5.5 (140)	46 (1168)	9 (4.1)
HRK42034	08284 4	347	2000	60 Sym	3.375 (86)	5.5 (140)	46 (1168)	9 (4.1)
HRK42048	08286 8	480	2000	60 Sym	3.375 (86)	5.5 (140)	46 (1168)	9 (4.1)
HRK42060	08287 5	600	2000	60 Sym	3.375 (86)	5.5 (140)	46 (1168)	9 (4.1)
HRK53020	08288 2	208	3000	60 Sym	3.375 (86)	5.5 (140)	57 (1448)	11 (5.0)
HRK53024	08289 9	240	3000	60 Sym	3.375 (86)	5.5 (140)	57 (1448)	11 (5.0)
HRK53027	08290 5	277	3000	60 Sym	3.375 (86)	5.5 (140)	57 (1448)	11 (5.0)
HRK53034	08291 2	347	3000	60 Sym	3.375 (86)	5.5 (140)	57 (1448)	11 (5.0)
HRK53048	08293 6	480	3000	60 Sym	3.375 (86)	5.5 (140)	57 (1448)	11 (5.0)
HRK53060	08294 3	600	3000	60 Sym	3.375 (86)	5.5 (140)	57 (1448)	11 (5.0)

### OPTIONAL MECHANICAL ACCESSORIES

CATALOG NUMBER	UPC 6-85360	DESCRIPTION	USE WITH	CTN. QTY.	SHIP WT lbs. (kg)
HWG46	13837 4	Wire Guard	JRK4	1	1 (454)
HWG57	13838 1	Wire Guard	JRK5	1	1.5 (680)

## PLUG-IN RADIANT HEATERS - FRR

### APPLICATIONS:

Designed for supplemental indoor heating in residential and commercial areas; Laundry rooms, Work shops, Toll booths, Garages, Assembly areas, Loading and Shipping docks and Well houses.

### FEATURES:

The FRR10512B Series heaters have Quartz Tube elements and three prong cord set.

Six models, at two voltages, provide a wide range of heating capacities from 500 to 5700 watts (1711 to 19,488 BTU/HR).

Apply heat only where needed. Convenient ceiling chain mounting and cord set allow custom heating of only the areas being used. No need to waste energy heating the entire room or building.



Model FRR10512B shown.

CATALOG NO.	UPC	VOLTS	WATTS	DIMENSIONS			SHIP LENGTH in. (mm)	SHIP WT. lbs. (kg)
				REFLECTIVE ANGLE	HEIGHT in. (mm)	WIDTH in. (mm)		
FRR10512B	0 98319 88970 6	120	500	60 Sym	4.65	5.75	16.75	8 (3.7)
FRR11012B	6 85360 08790 0	120	1000/500*	60 Sym	3.375 (86)	5.5 (140)	45 (1168)	9 (4.1)

\*FRR11012 has switches for 500 or 1000 watt operation. Color: Gold anodized aluminum enclosure.

# PLUG-IN RADIANT HEATERS

## PMRR

### APPLICATIONS:

For commercial and industrial applications with Statuary Bronze painted steel enclosure and gold anodized reflector.



CATALOG NO.	UPC 6 85360	VOLTS	WATTS	DIMENSIONS			SHIP LENGTH in. (mm)
				REFLECTIVE ANGLE	HEIGHT in. (mm)	WIDTH in. (mm)	
CHRR41512	08236 3	120	1500	60 Sym	3.375 (86)	5.5 (140)	46 (1168)
CHRR53024	08237 0	240	3000	60 Sym	3.375 (86)	5.5 (140)	57 (1448)



The versatility of these heaters is doubled. They can be mounted on the ceiling or they can be mounted on the optional cart and rolled to any location for maximum spot heating effect. Both heaters have switches for full or 50% operation.



### APPLICATIONS:

For commercial and industrial applications with Statuary Bronze powder coated steel enclosure and gold anodized reflector:

CATALOG NO.	UPC 6 85360	VOLTS	WATTS	DIMENSIONS			SHIP LENGTH in. (mm)	SHIP WT. LBS. (kg)
				REFLECTIVE ANGLE	HEIGHT in. (mm)	WIDTH in. (mm)		
FRR22012	14784 0	120	2000/1000	60 Sym	3.375 (86)	11 (280)	25 (637)	12 (5.5)
CHRR35724	10602 1	240	5700/2850	60 Sym	3.375 (86)	19 (484)	34 (866)	22 (10)

## ROLL-AROUND CART ACCESSORIES

CATALOG NO.	UPC 6 85360	DESCRIPTION	USE WITH	SHIP WT. LBS. (kg)
CHRRCART1	14129 9	Roll Around Cart	CHRR22012	11 (5)
CHRRCART2	14130 5	Roll Around Cart	CHRR35724	11 (5)
ITEMS BELOW DO NOT INCLUDE CART (Two wheeled cart supplied by others.)				
CHRRCMK1	14131 2	Flat bracket hardware	CHRR22012	3 (1.36)
CHRRCMK2	14132 9	Formed bracket hardware	CHRR35724	3 (1.36)



# INFRARED HEATERS

## INDUSTRIAL INFRARED HEATERS - BRM

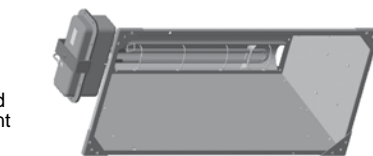
### APPLICATIONS:

The higher watt density, industrial infrared heaters are designed to provide a rugged source of heat for use in areas where dependence on air movement is impractical. The BRM Series infrared heaters are designed primarily for permanent mounting on the ceiling, but may be used in any orientation. Waste water treatment plants, loading docks, foundries, auto or marine repair facilities, walkways, assembly areas, enclosed smoking areas, repair stations and indoor or outdoor storage areas are just a few examples of where the XRM Series infrared heaters can be used.

### FEATURES:

- Heavy duty u-bend metal sheath heating element.
- Electric heaters convert energy to heat at 100% efficiency.
- UL listed and CSA registered models.
- Optional safety grilles are available.
- 2.0, 4.5, 6.0 and 13.5 Kw heat outputs available.
- Voltages include 208, 240, 277, 480 and 600.
- Single or three phase operation.
- Heater has gasketed wiring compartment that allows units for washdown.

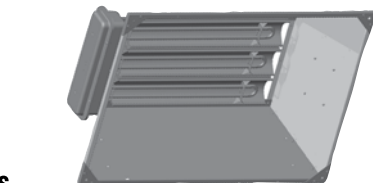
CATALOG NO.	WATTS	VOLTS	PHASE	REFLECTOR ANGLE	ELEMENT TYPE	SHIP WT. (LBS.)
BRM2081	2,000	208	1	90° Symm	Metal Sheath	18
BRM2021		240				
BRM2041		480				
BRM2061		600				
BRM4581	4,500	208	1			18
BRM4521		240				
BRM4541		480				
BRM4561		600				
BRM6083	6,000	208	1 and 3			25
BRM6023		240	1 and 3			
BRM6071		277	1			
BRM6043		480	1 and 3			
BRM6063		600	1 and 3			
BRM13583	13,500	208	3			55
BRM13523		240	3			
BRM13571		277	1			
BRM13543		480	1 and 3			
BRM13563		600	1 and 3			



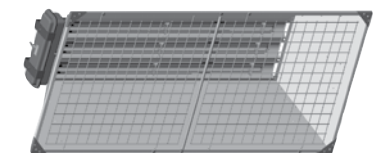
2.0 KW Fixed



4.5 KW Fixed



6.0 KW Fixed

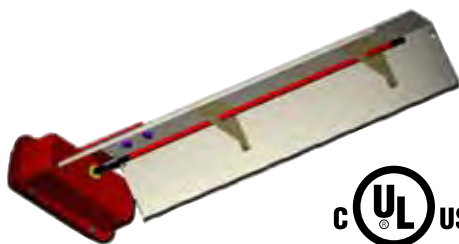


13.5 KW Fixed w/Grille



**NOTE:** See page 81 for infrared accessories.  
 Ground Fault Detection: Ground fault detection equipment is designed to monitor for any gradual changes in the insulation level due to humidity or mechanical damage as it develops, thus, de-energizing the load to prevent arcing type faults, preventing premature element failure and potential fire damage. As a safety precaution it is highly recommended that industrial infrared heaters must be protected by ground fault detection. Failure to comply could result in a building fire or serious equipment damage.

## INDUSTRIAL PERMANENT INFRARED HEATERS - CRN



### APPLICATIONS:

The CRN Series infrared heater is an excellent choice for spot heating. Often, a series of spot heat areas can be incorporated within the total area to avoid maintaining a higher ambient temperature throughout the building or room. Comfort levels will depend on the intensity of the wattage output. The CRN Series has four wattage outputs to choose from and starting as low as 1KW.

The construction of the CRN Series heater is simple. Aluminum extruded housing keeps the heating element secure while providing a focal point where a highly polished aluminum reflector extends over the assembly to provide a uniform heating pattern.

The heating element connects to a gasketed, moisture resistant terminal enclosure. This allows the heater to be washed down provided the heater is disconnected from the power supply.

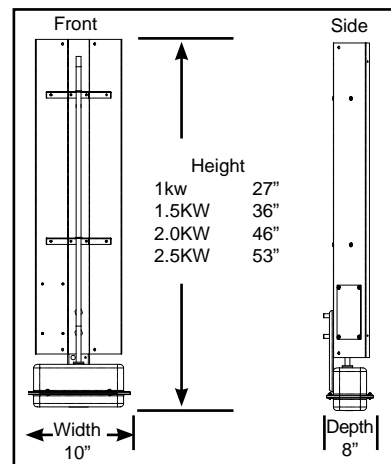
### FEATURES:

- Heavy duty straight metal sheath element.
- UL and CUL approved.
- 1.0, 1.5, 2.0 and 2.5 KW heat outputs available.
- Voltages include 120, 208, 240, 277 and 347.
- Single phase operation only.
- Heater can be washed down AFTER BEING DISCONNECTED.
- Safety grilles available.
- Min. Mounting Height: 10 Ft.

CATALOG NO.	WATTS	VOLTS	PHASE	REFLECTOR ANGLE	ELEMENT TYPE	SHIP WT. (LBS.)
CRN1011	1,000	120	1	90° Symm	Metal Sheath	10
CRN1081		208				
CRN1021		240				
CRN1511	1,500	120	1			15
CRN1581		208				
CRN1521		240				
CRN1571		277				
CRN1531	2,000	347	1			18
CRN2001		208				
CRN2021		240				
CRN2071		277				
CRN2031	2,500	347	1	20		
CRN2501		208				
CRN2521		240				
CRN2571		277				
CRN2531		347				

**NOTE:** See page 81 for infrared accessories.

### Dimensions





# ELECTRIC CONTROL PANELS

## APPLICATIONS:

CP Series Power Control Panels are factory wired for efficient installations and include terminal blocks, On-Off selector switches, power ON pilot light, and a 24volt or 120volt control circuit. Panels are available for use in 208, 240, 277, 480 and 600 volt systems, with amp loads up to 40, 50, 100, 200 and 300 amps (inductive load - see chart below for resistive load rating).

## FEATURES:

- Nema 1 enclosure, UL / cUL listed and labeled control panel.
- On / Off Control Switch.
- Control Transformer with fused primary and secondary.
- Power ON Pilot Light.



CATALOG NO.	UPC 6 85360	DESCRIPTION	AMP RATING INDUCTIVE LOAD	VOLTAGE	SUPPLY VOLTAGE	CONTROL PANEL DIM.	SHIP WT. (LBS.)
CP404801PT	13893 0	Percentage Timer Panel, One 3 Pole Contactor	40A	208-480V	120V	14.5" H x 14.5" W x 7.5" D	45
CP404801CT	13892 3	Time Delay Controller, One 3 Pole Contactor	40A	208-480V	120V	14.5" H x 14.5" W x 7.5" D	45
CP504801	13900 5	Single 3 Pole Contactor Panel	40A	208-480V	120V	14.5" H x 14.5" W x 7.5" D	45
CP1004801	13880 0	Two 3 Pole Contactor Panel	100A	208-480V	120V	14" H x 15" W x 7.75" D	55
CP2004801	13884 8	Four 3 Pole Contactor Panel	200A	208-480V	120V	31.5" H x 18.2" W x 10" D	65
CP3004801	13888 6	Six 3 Pole Contactor Panel	300A	208-480V	120V	36" H x 30" W x 7" D	70

NOTE: Line fusing supplied by installer.

Percentage Timer Panel for Metal Sheath Heaters only.

Contact factory for 24volt control, 600volt supply, and Nema 4 enclosures.

NOTE: Add 25% to list price for stainless steel (Nema 4x) rating.

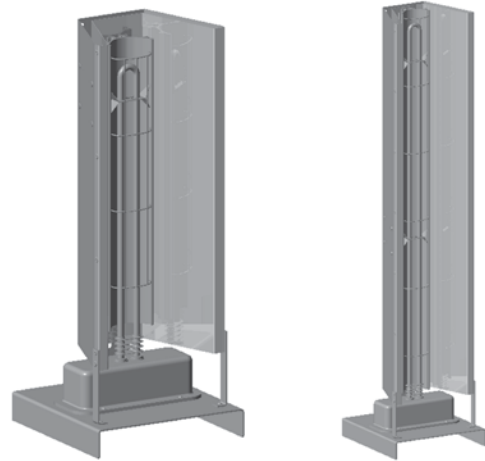
# PORTABLE INFRARED HEATERS - ARL

## APPLICATIONS:

This type portable low watt density industrial infrared heater is designed to provide clean, odor-free heat for indoor and outdoor work stations and is a good source of heat for use in areas where dependence on air movement is impractical. Loading docks, walkways, assembly areas, enclosed smoking areas, repair stations and storage areas are just a few examples of where ARL Series infrared heaters are often used.

## FEATURES:

- Heavy duty hairpin metal sheath heating element.
- 1.5, 2.0 and 4.5 Kw heat output available.
- Voltages include 120, 208, 240, 277, 480 and 600.
- Single phase operation only.
- 1500 watt 120 volt model has attached cord and plug.
- Sturdy base assembly provides tip resistant design.



1.5KW Portable

4.5KW Portable

CATALOG NO.	UPC 6 85360	WATTS	VOLTS	PHASE	REFLECTOR ANGLE	ELEMENT TYPE	SHIP WT. (LBS.)
ARL1511	14360 6	1500	120	1	90° Symm	Metal Sheath	15

Note: This hand carry model includes cord and standard 2-prong grounding plug.

CATALOG NO.	UPC 6 85360	WATTS	VOLTS	PHASE	REFLECTOR ANGLE	ELEMENT TYPE	SHIP WT. (LBS.)
ARL2081	14361 3	2000	208	1	90° Symm	Metal Sheath	18
ARL2021	14362 0		240				
ARL2071	14363 7		277				
ARL2041	14364 4		480				
ARL2061	14365 1		600				
WRL4581	14366 8	4500	208	1	90° Symm	Metal Sheath	25
ARL4521	14367 5		240				
ARL4571	14368 2		277				
ARL4541	14369 9		480				
ARL4561	14370 5		600				

NOTE: See page 81 for all accessories

# INDUSTRIAL INFRARED HEATERS

## ACCESSORIES

### CORD AND PLUG KITS FOR INDUSTRIAL M, N, AND L SERIES HEATERS

MODEL NO.	kW	VOLTS	PHASE	AMPS	WIRE SIZE	PHOWER CORDS	PLUGS LOCKING	NON-LOCKING
L2081B	2	208	1	9.6	14/3	CS25143	LPS25083	NPS25650
L2021B	2	240	1	8.3	14/3	CS25143	LPS25083	NPS25650
L2071B	2	277	1	7.2	14/3	CS25143	LPS25083	
L2041B	2	480	1	4.2	14/3	CS25143	LPS25083	
L2061B	2	600	1	3.3	14/3	CS25143	LPS25083	
M4581B	4.5	208	1	21.6	12/3	CS25123	LPS25083	NPS25650
M4521B	4.5	240	1	18.8	12/3	CS25123	LPS25083	NPS25650
M4541B	4.5	480	1	9.4	14/3	CS25143	LPS25083	
M4561B	4.5	600	1	7.5	14/3	CS25143	LPS25083	
M6083B	6	208	1	28.8	6/3	CS25063	LPS25083	NPS25650
M6083B	6	208	3	16.7	6/4	CS25064	LPS25124	NPS1550
M6023B	6	240	1	25.0	6/3	CS25063	LPS25083	NPS25650
M6023B	6	240	3	14.5	6/4	CS25064	LPS25124	NPS1550
M6071B	6	277	1	21.7	6/3	CS25063	LPS25083	
M6043B	6	480	1	12.5	6/3	CS25063	LPS25083	
M6043B	6	480	3	7.2	6/4	CS25064	LPS25104	
M6063B	6	600	1	10.0	6/3	CS25063	LPS25083	
M6063B	6	600	3	5.8	6/4	CS25064	LPS25084	
M13583B	13.5	208	3	37.5	6/4	CS25064	LPS25083	NPS1550
M13523B	13.5	240	3	32.5	6/4	CS25064	LPS25083	NPS1550
M13571B	13.5	277	1	48.7	6/3	CS25063	LPS25083	
M13543B	13.5	480	1	28.1	6/3	CS25063	LPS25083	
M13543B	13.5	480	3	16.3	6/4	CS25064	LPS25104	
M13563B	13.5	600	1	22.5	6/3	CS25063	LPS25083	
M13563B	13.5	600	3	13.0	6/4	CS25062	LPS25084	

### CORD AND PLUG KITS FOR ELECTRIC BLOWER HEATER

MODEL NO.	kW	VOLTS	PHASE	AMPS	WIRE SIZE	25 FT CORD SET	LOCKING TYPE	NON-LOCKING TYPE	SHIP WT. (LBS.)
MEDH1021A	10	240	1	39.6	6/3	SCS10063 (10ft. long)	-	Included	18
MEDH1583A	15	208	3	41.8	6/4	SCS25064	LPS25064	-	20
MEDH1521A	15	240	1	62.5	4/3	SCS25043	-	-	22
MEDH1523A	15	240	3	36.3	6/4	SCS25064	LPS25064	NPS1550	20
MEDH1543A	15	480	1	31.2	6/4	SCS25064	LPS25064	NPS1550	20
			3	18.1	12/4	SCS25124	LPS25104		10
MEDH3043A	30	480	3	36.3	6/4	SCS25064		-	20

Note: Models designated 1 and 3 phase can be field wired for single phase operation.

### BRM SAFETY GRILLES, HANGING KITS, AND ROLLAROUND CART KITS

MODEL NO.	UPC 6 85360	DESCRIPTION	SHIP WT. (LBS.)
BRMWG2	14332 3	Safety Grille Kit for BRM 2KW heaters	3
BRMWG45	14333 0	Safety Grille Kit for BRM 4.5KW heaters	3
BRMWG60	14334 7	Safety Grille Kit for BRM 6KW heaters	4
BRMWG135	14335 4	Safety Grille Kit for BRM 13.5KW heaters	14
BRMHK	14336 1	Hanging Kit to mount BRM or CRN heaters, includes chain and hooks	2
BRM45	14337 8	Rollaround Cart kit for 4.5KW BRM heaters (Includes safety grilles)	7
BRM60	14338 5	Rollaround Cart kit for 6.0KW BRM heaters (Includes safety grilles)	8
BRM135	14339 2	Rollaround Cart kit for 13.5KW BRM heaters (Includes safety grilles)	8

### CRN SAFETY GRILLES

MODEL NO.	UPC 6 85360	DESCRIPTION	SHIP WT (LBS.)
CRNWG01	14356 9	Safety Grille Kit for CRN 1KW heaters	3
CRNWG105	14357 6	Safety Grille Kit for CRN 1.5KW heaters	3
CRNWG200	14358 3	Safety Grille Kit for CRN 2KW heaters	7
CRNWG250	14359 0	Safety Grille Kit for CRN 2.5KW heaters	10

### CONTROL ACCESSORIES FOR INDUSTRIAL INFRARED HEATERS

MODEL NO.	UPC 6 85360	DESCRIPTION	kW MODELS	AVAILABILITY	SHIP WT (LBS.)
PDS60050	15233 2	Power Disconnect Kit for Fixed or Portable (M Series)	ALL	S	8
TOS240	15166 3	Tipover Switch for Fixed or Portable (M Series) 240V only	6 or 13.5	NS	15
TOS480	15167 0	Tipover Switch for Fixed or Portable (M Series) 480V only	6 or 13.5	NS	15
WMGF240	15234 9	Wall mounted Ground Fault Detection for 240V Nema 4	ALL	NS	17
WMGF480	15235 6	Wall mounted Ground Fault Detection for 480V Nema 4	ALL	NS	17



# HEATERS

## PORTABLE RADIANT CONVECTION HEATER - WPC1500



- Efficient multi-watt design allows user to choose between three wattage levels for greater comfort control and energy savings.
- Removable wheel kit allows unit to be wall mounted near electrical outlet.
- Positive OFF switch.
- Easy to use adjustable thermostat.
- Tip-over switch and linear limit for added safety.
- Three prong grounded cordset.



MODEL	VOLTS	WATTS	AMPS	HEATER DIMENSIONS			SHIP WT. (LBS.)
				HEIGHT	WIDTH	DEPTH	
WPC1500	120	1500 / 1000 / 500	12.5 / 8.3 / 4.2	21"	30"	4"	27

## RADIANT PLUG-IN UNDER DESK HEATER - 2025L



An ideal, economical, safe way to provide warmth for cold secretaries, bank tellers, receptionists, cashiers, accountants, architects, engineers — in fact, anyone who sits at a desk, counter or table whether at work or at home! The 200 Series gives you personalized warmth just where it's needed - when it's needed. This amazing heater costs just one or two cents per hour to operate... based on your local electricity rate.

**Note:** Includes 3-Prong cord and plug.

CATALOG NO.	UPC NO.	WATTS	AMPS	VOLT	SIZE	SHIP WT. (LBS.)
2025LB	0 98319 88965 2	170	1.4	120	15" x 22" x 1"	8
MC202SLR	Master Carton (6 pcs)	170	1.4	120	17" x 27" x 10"	50
APT2	0 98319 88964	5	Portable Thermostat			

## PORTABLE FAN-FORCED UTILITY HEATER - MMHD



- Two heat settings for a full range of comfort.
- Automatic thermostat.
- Fan only feature to circulate air during non-heating periods.
- Tip over safety switch and thermal limit.
- Built-in carrying handle and guards.
- Safety limits.
- MMHD has grounded cord and plug.
- 2 year warranty.

CATALOG NO.	UPC NO.	WATTS	AMPS	VOLTS	BTUH	SHIP WT. (LBS.)
MMHD1502T	0 98319 86168 9	1500	12.5	120	5120	9.2
		1300	10.8	120	4437	

## PORTABLE FAN-FORCED/RADIANT UTILITY HEATER - MCM

- 3 heat settings:
  - 600W radiant.
  - 900W fan-forced.
  - 1500W fan-forced and radiant.
- Chromed safety grill.

- Automatic thermostat.
- Ceramic core element.
- Tip over safety switch and thermal limit.
- 2 year warranty.



CATALOG NO.	UPC NO.	WATTS	AMPS	VOLTS	BTUH	SHIP WT. (LBS.)
MCM1503	0 98319 86166 5	1500	12.5	120	5120	9
		900	7.5	120	3072	
		600	5	120	2048	



# HEATERS

## PORTABLE UNIT HEATER - QPH4A

- Easy to carry with built-in handles.
- Two heat settings: 9,100 BTUs (2,667 Watts), 13,650 BTUs (4,000 Watts).
- Permanently lubricated, unit-bearing fan motor.
- Three-way bracket lets you stand unit on floor or other flat surface, or mount to ceiling or wall. Adjustable thermostat to maintain heating comfort levels.
- Operates on 240 volts. Comes with 6' cord.
- 5-year limited warranty on heating elements.

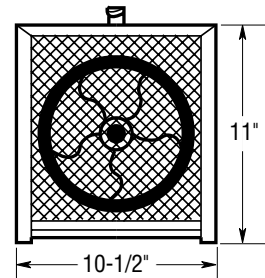


CATALOG NUMBER	UPC NO.	WATTS	AMPS	VOLTS	BTUH	SHIP WT. (LBS.)
QPH4A	0 98319 86114 6	Low - 2667/2000	20	240/208	9,102/9,526	25
		High - 4000/3000	20	240/208	13,652/10,239	

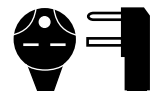
## CONTRACTOR HEATER - BRH

For construction job sites, commercial workshops and other large unheated areas.

- Built-in thermostat.
- Safety high temperature limit.
- Industrial finger proof, steel intake and discharge grilles.
- Steel spiral fin brazed to metal sheathed element for maximum heat transfer.
- 6' Heavy-duty cord.
- Built-in handle/cord storage.
- Permanently lubricated motor.
- BRH562 has continuous fan feature.
- Red finish — Portable — Quiet.



**BRH402**  
PLUG TYPE  
20 Amp 240V  
NEMA #6-20P



**BRH562**  
PLUG TYPE  
30 Amp 240V  
NEMA #6-30P

CATALOG NUMBER	UPC NO.	WATTS	AMPS	VOLTS	BTUH	SHIP WT. (LBS.)
BRH402	0 98319 86200 6	4000/3000	16.7/14.1	240/208	13,650/10,238	17
BRH562	0 98319 86202 0	5600/4200	23.3/20.2	240/208	19,110/14,333	19

## PORTABLE ELECTRIC HEATER - PT268

- Adjustable, automatic thermostat.
- Efficient fan-forced heat.
- Safety overload switch with caution light.
- Heater automatically shuts off if unit overheats.
- Live power signal light.
- 6' Heavy-duty cord.
- Full one-year warranty.



**PT268**  
PLUG TYPE  
20 Amp 240V  
NEMA #6-20P



CATALOG NUMBER	UPC NUMBER	VOLTS	WATTS	AMPS	BTU/HR	SHIP WT. (LBS.)	DIMENSIONS H x W x L
PT268	6 85360 09646 9	240	4000	16.7	13,648	12	16.25" x 15.5" x 11.5"

# HEATERS

## DIGITAL HYDRONIC PORTABLE - LFH

- Unique portable electric baseboard with Proportional control:
  - Unit heats only when heat is required.
- Easy to operate electronic digital display:
  - LCD with backlight - three button control.
- Proportional Digital control:
  - Five levels of heat output that generates heat only when needed.
- Linear high temperature safety cutout:
  - Checks the entire length of element and will automatically shut off heater in the event of accidental air blockage.
- Brand you know and trust:
  - 10-year limited warranty on element.
  - Over four decades of electric hydronic experience.



CATALOG NO.	UPC NO.	WATTS	AMPS	VOLTS	BTUH	SHIP WT. (LBS.)
LFH1502P	6 85360 15126 7	200-1500	1.6 - 12.5	120	682/5118	27



## PORTABLE ELECTRIC CONVECTOR HEATERS - FBE



DIMENSIONS:  
45" L x 7-1/2" H x 5-1/2" D



- Don't waste energy and heat rooms you aren't using. Maintain individual room control with portable electric convector heat — and get heat only in the places you want.
- 100% energy efficient. Heat is dissipated by large fins into a strong convection flow. This delivers every bit of available heat.
- Distinctively designed. High-impact Lexan® end panels with built-in handles. Low profile design enhances the unique appearance and add to the units overall stability.
- Fills entire room with even comfort. No cold spots. No hot spots. The complete heating cycle fills your entire room with uniform, gentle floor-to-ceiling warmth and comfort.
- Safety thermal cutout protection. Linear high temperature cutout safety checks run the entire length of heater and will automatically shutoff heater in the event of accidental air blockage.
- 2-year limited warranty.

CATALOG NUMBER	UPC NO.	WATTS	AMPS	VOLTS	BTUH	SHIP WT. (LBS.)
FBE15002	0 98319 86156 6	1000/1500	8.3/12.5	120	3413/5120	11

## PORTABLE ELECTRIC HYDRONIC HEATERS - FHP

- Save energy with zonal heating
  - Efficient and economical room-by-room heating.
- Quiet, gentle, safe heat:
  - Safety grill and low unit surface temperatures for safe handling.
  - Five levels of heat output that generates heat only when needed.
- Floor-to-ceiling comfort:
  - Gentle heating cycle fills entire room with soft even warmth.
  - Hydronic elements continue to heat between on/off cycles.
- Brand you know and trust:
  - 10-year limited warranty on element.
  - over four decades of electric hydronic experience.



CATALOG NO.	UPC NO.	WATTS	AMPS	VOLTS	BTUH	SHIP WT. (LBS.)
FHP0750T	6 85360 1610 2	120	6.3	120	2560	11
FHP1500T	6 85360 1607 8	120	12.5	120	5120	11

# DIGITAL THERMOSTATS & CONTROLS



HEATER TYPE	2500 SERIES BASEBOARD	HBB/OBD BASEBOARD	LARGE WALL HEATER	SMALL WALL HEATER	SMALL WALL HEATER	REGISTER WALL HEATER	TOE SPACE HEATER
Heater Series	2500 Series QMKS	HBB CBD	AWH CWH LFK	CWHDSAG CWHDS	CRA SED 1235 & 2400	GFR, QFG	QTS
Refer to the Notes Section where specified	See Note 1		See Note 2	See Note 3	See Note 4		See Note 6
<b>THERMOSTATS BELOW ARE ELECTRONIC WITH DIGITAL DISPLAY</b>							
TH110DPP	Yes	Yes	The electronic thermostats are not recommended for this heater	No	See model selection chart.	See model selection chart.	Yes
TH300024	Yes	Yes		No			Yes
TH300024	Yes	Yes		No			Yes
TH36004	Yes	Yes		No			Yes
TH522D1003	No	No		No			No
<b>THERMOSTATS LISTED BELOW ARE OF MECHANICAL TYPE AND WANT TO CONTROL TEMPERATURE SETTING MANUALLY</b>							
MS26	Yes	Yes	See model selection chart the recommended thermostat	No	See model selection chart.	See model selection chart.	Yes
MD26	Yes	Yes		No			Yes
M601W	Yes	Yes		Yes			Yes
M601TPW	Yes	Yes		Yes			Yes
M602W	Yes	Yes		No			Yes
M602TPW	Yes	Yes		No			Yes
M611W	Yes	Yes		No			Yes
M612W	Yes	Yes				Yes	
M600S	These stats are used when there are two elements to control. Two-stage operation and modulating type. Not normally used for above products						
M600MTP							
T100	Yes	Yes	See model selection chart the recommended thermostat	Yes	See model selection chart.	See model selection chart.	Yes
T200	Yes	Yes		No			Yes
WR651	Yes	Yes		No			Yes
WR661	Yes	Yes		No			Yes
<b>THERMOSTATS BELOW ARE MORE COMMERCIAL / INDUSTRIAL AND NOT NORMALLY USED ON RESIDENTIAL APPLICATIONS.</b>							
WT11A	No	Yes	See model selection chart the recommended thermostat	No	No	No	No
WT12A	No	Yes		No	No	No	No
WR80	Yes	Yes		No	No	No	No
WR80EP	No	No		No	No	No	No
<b>THERMOSTATS BELOW ARE LOW VOLTAGE (18 TO 26 VOLTS) SEE NOTE #6 BELOW.</b>							
T8775A1009	Yes	Yes	No	No	No	No	No
T8775C1005	Yes	Yes	No	No	No	No	No
<b>ELECTRONIC TRANSFORMER RELAYS WITH BUILT-IN TRANSFORMER.</b>							
LTR1120							
LTR208240							
LTR1277							
LTR2240							
LT186F01	Yes	Yes	Yes	Yes			

- † For infrared type heaters, controls may be different for the type of element used. See your technical service person for recommendation.
- Note 1: Electronic thermostats have amperage minimums and each model has different voltage requirements, please check catalog thermostat specifications.
- Note 2: AWH, CWH, AND LFK Series models require the removal of the internal thermostat and wire wall thermostat in its place for proper fan operation. See model selection for specific thermostat.
- Note 3: CWHDSAG and CWHDS Series models require the removal of the internal thermostat from unit. Wire wall thermostat for proper fan operation. See model selection for specific thermostats.
- Note 4: CRA, SED, Series models require the removal of the internal thermostat from unit. Wire wall thermostat for proper fan operation. See model selection for specific thermostats.
- Note 5: Low voltage thermostats operate in conjunction with low voltage control systems using relays. Compatible with all standard 24V two wire thermostats. Can accept analog signal of 0-10 VDC.
- Note 6: The 1100watt units can use either single pole or double stats. The higher wattage, 1500watt, must use a double pole stat. (3 conductors from stat to heater) See website for further details

# DIGITAL THERMOSTATS & CONTROLS (CONT.)

CEILING INDUSTRIAL	UNIT HEATER	CABINET UNIT HEATER	PLENUM HEATER	ALUMINUM AND STEEL CONVECTORS	COVE RADIANT	CP RADIANT	RP & RS INFRAREDHEATERS*	RADIANT
CDF EFF QCH	MUH IUH	CU900	MSPH	All Series	RCC	CP	RP & RS	M, N, and L
See note 7	See note 8			See note 8				
<b>THERMOSTATS BELOW ARE ELECTRONIC WITH DIGITAL DISPLAY.</b>								
See model selection chart	Contact Tech Services for assistance	Yes	No	Contact Tech Services for assistance	Yes	Yes	†	†
		No	No		Yes	Yes	†	†
		Yes	No		Yes	Yes	†	†
		Yes	No		Yes	Yes	†	†
		No	Yes		No	No	†	†
See model selection chart	Contact Tech Services for assistance	No	No	Contact Tech Services for assistance	Yes	Yes	†	†
		No	No		Yes	Yes	†	†
		Yes	No		Yes	Yes	†	†
		Yes	No		Yes	Yes	†	†
		Yes	No		Yes	Yes	†	†
		Yes	No		Yes	Yes	†	†
		Yes	No		Yes	Yes	†	†
		Yes	No		Yes	Yes	†	†
See model selection chart	Contact Tech Services for assistance	Yes	No	Contact Tech Services for assistance	Yes	Yes	†	†
		Yes	No		Yes	Yes	†	†
		No	No		Yes	Yes	†	†
		No	No		Yes	Yes	†	†
<b>THERMOSTATS BELOW ARE MORE COMMERCIAL / INDUSTRIAL AND NOT NORMALLY USED ON RESIDENTIAL APPLICATIONS.</b>								
Yes	Contact Tech Services for assistance	Yes	No	Contact Tech Services for assistance	No	Yes	†	†
No		Yes	No		No	Yes	†	†
Yes		Yes	No		Yes	Yes	†	†
No		No	No		No	No	†	†
<b>THERMOSTATS BELOW ARE LOW VOLTAGE (18 TO 26 VOLTS) SEE NOTE #6 BELOW.</b>								
No	No	Yes	No	Yes	Yes	Yes	†	†
No	No	Yes	Yes	Yes	Yes	Yes	†	†
<b>ELECTRONIC TRANSFORMER RELAYS WITH BUILT-IN TRANSFORMER.</b>								
Yes	Yes	Yes	No	Yes	Yes	Yes	†	†

† For infrared type heaters, controls may be different for the type of element used. See your technical service person for recommendation.

Note 7: CDF and EFF Series models require different thermostats based on internal wiring. Wire wall thermostat for proper fan operation. See model selection for specific thermostats. Can not use digital thermostats with this unit.

Note 8: Due to the complexity of wiring variations for remote wall thermostats with these products, we recommend that you contact Technical Services for assistance.

Note 9: Remove internal thermostat and wire wall thermostat in its place for proper fan operation.

Note 10: Thermostat wire to the two white wires on the heater.

Note 11: Wire wall thermostats as directed in the Installation Manual for proper fan operation.

# THERMOSTATS

## ELECTRONIC DIGITAL LINE VOLTAGE



	TH300024	TH36004	TH400024	TH110DPP
<b>Action</b>	Triac: Silent Operation	Electronic Switch	Triac: Silent Operation	Microprocessor
<b>Type</b>	12.5A Resistive 2 wire SPST	15 A Resistive 4 wire DPST	16.7A Resistive 2 wire SPST	16.7 A Resistive 4 wire DPST
<b>Watt Rating</b>	Minimum: 2 amp load	No minimum load	Minimum: 2 amp load	No minimum load
<b>120V</b>	1500 watts	n/a	2000 watts	n/a
<b>208V</b>	n/a	n/a	n/a	3000 watts
<b>240V</b>	3000 watts	3600 watts	4000 watts	4000 watts
<b>277V</b>	n/a	n/a	n/a	n/a
<b>Pilot Duty</b>	No	No	No	No
<b>Range (°F)</b>	40°F to 85°F	40°F to 85°F	40°F to 85°F	40°F to 85°F
<b>Differential</b>	Accuracy: Within +/- 0.27°F	Accuracy: Within 1°F of setpoint	Accuracy: Within +/- 0.27°F	Accuracy: Within 1°F of setpoint
<b>Features</b>	Digital, non-programmable 12.5amp model delivers exceptional accuracy. Ideal for radiant ceiling panels, and baseboard. Not for fan-forced heaters.	Digital, non-programmable model delivers exceptional accuracy. Ideal for radiant ceiling panels, and baseboard. Can be used for fan-forced heaters.	Digital, programmable high capacity model delivers exceptional accuracy. Ideal for radiant ceiling panels, and baseboard. Can be used for fan-forced heaters and resistive loads.	Digital, programmable model delivers exceptional accuracy. Ideal for radiant ceiling panels, and baseboard. Can be used for fan-forced heaters.

## ELECTRONIC DIGITAL LOW VOLTAGE



	T8775A1009	T8775C1005	TH5220D1003	LT186F01
<b>Action</b>	Electronic Switch	Electronic Switch	Electronic Switch	Microprocessor
<b>Type</b>	24 volt .015 -1.0A @ 30V 2-wire	24 volt .015 -1.0A @ 30V 2-wire	24 volt .015 -1.0A @ 30V 5-wire	Wall thermistor
<b>Watt Rating</b>				
<b>120V</b>	n/a	n/a	n/a	22A
<b>208V</b>	n/a	n/a	n/a	22A
<b>240V</b>	n/a	n/a	n/a	22A
<b>277V</b>	n/a	n/a	n/a	19A
<b>Pilot Duty</b>	24VAC	24VAC	24VAC	n/a
<b>Range (°F)</b>	40°F to 90°F	40°F to 90°F	40°F to 90°F	40°F to 90°F
<b>Differential</b>	Accuracy: Within 1°F of setpoint	Accuracy: Within 1°F of setpoint	Accuracy: Within 1°F of set	Accuracy Within 1°F of setpoint
<b>Features</b>	Digital, non-programmable 24 volt "Round" model delivers exceptional accuracy. (Heat Only)	Digital, non-programmable 24 volt "Round" model delivers exceptional accuracy. (Heat and Cool)	Digital, 24volt programmable 2 stage 5-7 wire heat and cool thermostat. One touch temperature control with exceptional accuracy. Ideal for plenum heaters, and HVAC systems.	Proportional and Integral non-programmable electronic room sensor thermostat with set point capability, providing exceptional accuracy. Transmits actual temperature to a LTR relay.



# THERMOSTATS

## LINE VOLTAGE



	MS26	MD26	M601W	M602TPW	M601TPW	M602TPW	M611W	M612W
<b>Action</b>	Snap Action		Snap Action		Snap Action		Snap Action	
<b>Type</b>	SPST	DPST	SPST	DPST	SPST	DPST	SPST	DPST
<b>Amp Rating</b>	Model MD26 has Positive OFF		Model M602W has Positive OFF		Model M602TPW has Positive OFF		Model M612W has Positive OFF	
<b>120V</b>	22A		22A		22A		22A	
<b>208V</b>	22A		22A		22A		22A	
<b>240V</b>	22A		22A		22A		22A	
<b>277V</b>	18A		18A		18A		18A	
<b>Pilot Duty</b>	No		Yes 125VA		Yes 125VA		Yes 125VA	
<b>Range (°F)</b>	50°F to 80°F		45°F to 75°F		45°F to 75°F		45°F to 75°F	
<b>Differential</b>	+/- 5°F		+/- 4°F		+/- 4°F		+/- 2 1/2°F	
<b>Features</b>	These economy thermostats are the snap action type that are used in apartment construction. Good thermostat for its value. Ideal for radiant cove heaters and baseboard.		These bi-metal snap action thermostats are sensitive. Large knob allow for easy adjustment.		Same as M601W and M602W except the cover mounting cover offer tamper proof feature.		Built-in heat anticipator assures closer control of room temperature.	

## LINE VOLTAGE



CATALOG NUMBER	M600MTP	M600S	T100	T200	WR651	WR661
<b>Action</b>	Modulation (2 stage)	Simultaneous switching (double ckt)	Snap Action with Heat Anticipator		Creep (Hydraulic) Action	
<b>Type</b>	DPST		SPST	DPST	SPST	DPST
<b>Watt Rating</b>						
<b>120V</b>	22A	22A	22A		22A	
<b>208V</b>	22A	22A	22A		22A	
<b>240V</b>	22A	22A	22A		22A	
<b>277V</b>	18A	18A	18A		na	
<b>Pilot Duty</b>	Yes 125VA	Yes 125VA	Yes 125VA		No	
<b>Range (°F)</b>	50°F to 80°F	50°F to 80°F	50°F to 90°F		40°F to 85°F	
<b>Differential</b>	Accuracy: Within 3°F of setpoint	Accuracy: Within 3°F of setpoint	+/- 2 1/2°F		+/- 2°F	
<b>Features</b>	One thermostat controls two separate heating circuits and reduces input during light load periods. Second stage activates when temperature drops to approx. 1-1/2°F below the first stage turn-ON temperature.	Simultaneous control of two heating loads. Used where the total load slightly exceeds capacity of a single switch, where two thermostats are impractical. Both switches are calibrated to operate at approx. the same temperature.	Line voltage thermostat with everything; Performance, reliability, durability, and a large knob. Built-in heat anticipation assures close temperature regulation. Large knob for easy rotation.		Extra-sensitive element in control knob senses radiant heat as well as air temperature for ultimate control. May cause slight radio or television interference in outlying fringe areas.	

## SPECIALTY CONTROLS



CAT. NO.	VOLT	AMPS
LTR1120	120V	22A
LTR208240	208/240V	22A
LTR1277	277V	19A

	WR80	JC80EP	WT11A	WT12A	LTR SERIES
<b>Action</b>	Snap Action Switch	Snap Action Switch	Positive snap action switch		Electronic Relays
<b>Type</b>	SPST	SPST	SPDT		Microprocessor base design
<b>Amp Rating</b>			Nema 4X rated		These electronic relays have been designed for silent control of high voltage resistive loads from a low voltage control circuit. Inductive motor loads can also be controlled (120V to 240V only). Compatible with 24V thermostats and accepts analog signal of 0-10V DC.
<b>120V</b>	25A	25A	25A	n/a	
<b>208V</b>	22A	22A	25A		
<b>240V</b>	22A	22A	25A		
<b>277V</b>	18A	18A	22A		
<b>Pilot Duty</b>	Yes 125VA	Yes 125VA	Yes 125VA		
<b>Range (°F)</b>	40°F to 90°F	40°F to 90°F	40°F to 110°F		
<b>Differential</b>	+/- 3°F	+/- 3°F	+/- 2 1/2°F		
<b>Features</b>	Rugged design for garages, factories, warehouses and similar commercial and industrial installations. The WR80 can control several heaters by using an external contractor.	This explosion proof room thermostat is suitable for Class 1, Group D and Class II, Groups E, F, and G locations.	Nema 4X weatherproof enclosure. The control has a SPDT output and can be used for heating or cooling (ventilation) Multi-positional mounting offers flexibility in new or existing installations.		The relays can be used with model LT186F01 electronic room sensor, providing proportional and integral control. Also can be tied to building management systems.

## SPECIALTY CONTROLS



CATALOG NUMBER	LTR2240	TC1	M600THW	M600THB
<b>Action</b>	Dual Silent Relay	Enclosure protection for thermostats.	M600THW -White thermostat cover with built-in thermometer. For M600 Series stats.	
<b>Type</b>	2 single pole switches.	Material: Impact resistant polycarbonate. Clear. Dimensions are: 7" L X 4.28" H X 2.75" D		
<b>Watt Rating</b>	Resistive Inductive			
<b>120V</b>	N/A			
<b>208V</b>	25A 1HP, 8.8A			
<b>240V</b>	25A 1HP, 8A			
<b>277V</b>	N/A	Thermostat enclosure kits are designed to protect the thermostat. Circulating slots allow airflow for proper operation. Guards are lockable and a key is provided to maintain security.	M600THB - Beige thermostat cover with built-in thermometer. For M600 Series stats.	
<b>Pilot Duty</b>	Yes 125VA			
<b>Range (°F)</b>	Can be operate in 20 to 140°F			
<b>Differential</b>	Accuracy: Within 1.5°F of setpoint	Minimum 50pcs Allow 4 weeks.		
<b>Features</b>	This dual level temperature relay may be used to operate two separate heating loads by means of a single low voltage thermostat. Relay is mounted in an enclosure.			

# THERMOSTAT MODEL SELECTION

FROM NOTES 2, 3, 4 AND 7 (SEE PAGE 85 - 86)

HEATER MODEL	WALL THERMOSTAT
AWH3150	M601W
AWH3180	M601W
AWH4408	M601W
AWH4404	M601W
AWH4407	M601W
AWH4307	M601W
AWH4303	NA
AWH4508	M601W
AWH4504	M601W
AWH4507	M601W
AWH4503	NA
AWH4506	NA
AWH44083	NA
AWH44043	NA
AWH4306	NA
<b>NOTE: See note 9, pg. 86</b>	
CWH1101DSAG	M601W
CWH1151DSAG	M601W
CWH1201DSAG	M601W
CWH1202DSAG	M601W
CWH1207DSAG	M601W
CWH1157DSAG	M601W
CWH1208DSAG	M601W
<b>NOTE: See note 9, pg. 86</b>	
CWH1101DS	M601W
CWH1151DS	M601W
CWH1201DS	M601W
CWH1202DS	M601W
CWH1207DS	M601W
CWH1157DS	M601W
CWH1208DS	M601W
<b>NOTE: See note 9, pg. 86</b>	
CWH3150	M602W
CWH3180	M602W
CWH3404	M602W
CWH3407	M602W
CWH3307	M602W
CWH3408	M602W
CWH34083	NA
CWH34043	NA
CWH3504	M602W
CWH3507	M602W
CWH3508	NA
CWH35083	NA
CWH35043	NA
CWH3203	NA
CWH3206	NA
CWH3153	NA
CWH3156	NA
CWH3303	NA
CWH3306	NA
CWH3403	NA
CWH3406	NA
CWH3503	NA
CWH3506	NA
<b>NOTE: See note 9, pg. 86</b>	
GFR1500	TH400024, M601W, M611W, T100, WR651
GFR2004	TH110DPP, TH400024, TH300024, M602W, M612W, T200, WR661
GFR2404	TH110DPP, TH400024, TH300024, M602W, M612W, T200, WR661
GFR1500T2	TH400024, M601W, M611W, T100, WR651
GFR2004T2	TH110DPP, TH400024, TH300024, M602W, M612W, T200, WR661
GFR2404T2	TH110DPP, TH400024, TH300024, M602W, M612W, T200, WR661
QFG1512IFM	TH400024, M601W, M611W, T100, WR651
QFG2024IFM	TH110DPP, TH400024, TH300024, M602W, M612W, T200, WR661
QFG2224IFM	TH110DPP, TH400024, TH300024, M602W, M612W, T200, WR661

MODEL	THERMOSTAT
QFG2228IF	M602W, M612W, T200, WR661
QFG1512T2M	TH400024, M601W, M611W, T100, WR651
QFG2024T2M	TH110DPP, TH400024, TH300024, M602W, M612W, T200, WR661
QFG2224T2M	TH110DPP, TH400024, TH300024, M602W, M612W, T200, WR661
LFK151	M602W
LFK204	M602W
LFK304	M602W
LFK404	M602W
LFK484	M602W
<b>NOTE: See note 9, pg. 86</b>	
SED1012C	TH400024, TH300024, M601W, M611W, T100, WR651
SED1024C	TH110DPP, TH400024, TH300024, M602W, M612W, T200, WR661
SED1512	TH400024, TH300024, M601W, M611W, T100, WR651
SED2024	TH110DPP, TH400024, TH300024, M602W, M612W, T200, WR661
ECP1024	TH110DPP, TH400024, TH300024, M602W, M612W, T200, WR661
ECP1524	TH110DPP, TH400024, TH300024, M602W, M612W, T200, WR661
CRA1512IF	TH400024, M601W, M611W, T100, WR651
CRA2028IF	M602W, M612W, T200, WR661
CRA2024IF	TH110DPP, TH400024, TH300024, M602W, M612W, T200, WR661
CRA2224IF	TH110DPP, TH400024, TH300024, M602W, M612W, T200, WR661
CRA1512T2	TH400024, M601W, M611W, T100, WR651
CRA2024T2	TH110DPP, TH400024, TH300024, M602W, M612W, T200, WR661
CRA2224T2	TH110DPP, TH400024, TH300024, M602W, M612W, T200, WR661
1235	TH400024, M601W, M611W, T100, WR651
1235P	TH400024, M601W, M611W, T100, WR651
2435	TH110DPP, TH400024, TH300024, M602W, M612W, T200, WR661
2435P	TH110DPP, TH400024, TH300024, M602W, M612W, T200, WR661
CDF548	MS26, M601W
CDF542	TH400024, MS26, M601W
CDF547	MS26, M601W
CDF558	MS26, M601W
CDF552	MS26, M601W
CDF557	MS26, M601W
<b>NOTE: See note 9, pg. 86</b>	
EFF1500	TH400024, MS26, M601W
EFF3007	MS26, M601W
EFF4008	MS26, M601W
EFF4004	TH400024, MS26, M601W
EFF4007	MS26, M601W
EFF4804	MS26, M601W
EFF4807	MS26, M601W
EFF3003	NA
EFF3006	NA
EFF4003	NA
EFF4006	NA
EFF4803	NA
EFF4806	NA
<b>NOTE: See note 11, pg. 86</b>	
QCH1101	TH400024, TH300024, M601W, MS26
QCH1151	TH400024, M601W, MS26
QCH1202	TH400024, TH300024, M601W, MS26
QCH1207	TH400024, TH300024, M601W, MS26

# Heat Destratification

CUT DOWN YOUR HEATING AND COOLING

BILLS BETWEEN 1% - 43%\*



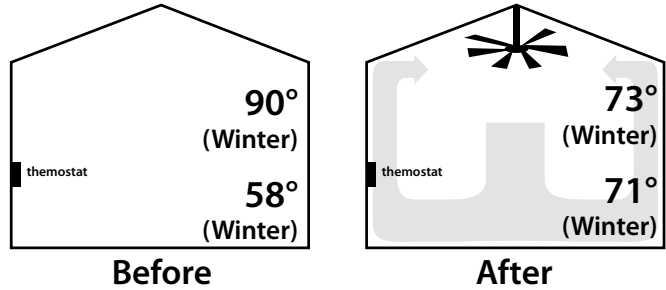
## REDUCE HEATING BILLS

### THE HEAT-DROPPER® CONCEPT AND HOW IT WORKS

**WINTER**-Recovers wasted heat by eliminating heat stratification. Trapped warm air at the ceiling caused by natural heat rise and poor air circulation is equalized by the movement of the massive blade span. Thus ceiling to floor temperature is equalized. With a heat cost savings of 30 percent, the LEADING EDGE fan system can pay for itself in one year. The elimination of cold spots increases employee productivity and comfort.

**SUMMER**-General air recirculation in non air-conditioned buildings creates a cooling breeze and a "Wind Chill Factor" providing evaporation cooling of the skin surface dropping skin temperature by 6 degrees. The LEADING EDGE fan system supplements air-conditioned buildings by allowing the thermostat settings to be 8 degrees higher. You'll feel the coolness of 72 degrees with the thermostat set on 80 degrees - an incomparable energy savings. Additional advantages, eliminates mold and mildew caused by stagnant air, perfect for high humidity areas. No other fan has our higher air velocity capabilities. Small fans do not develop sufficient CFM to be effective in warm weather.

\* Based on ASHRAE "Saving Heating Costs in Warehouses" study



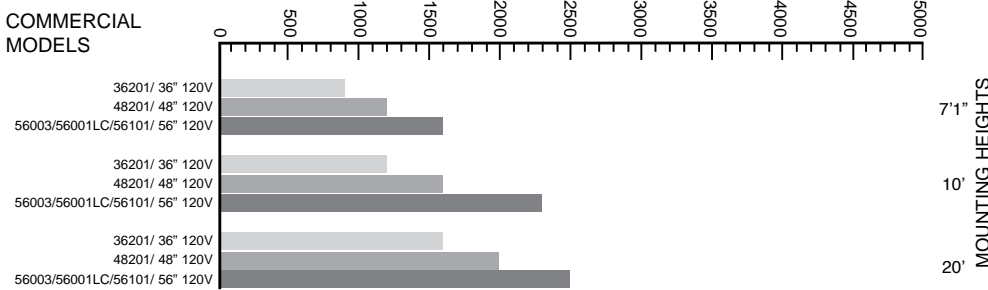
Leading Edge treats ceiling fans as a system, not as single unit – our fans provide larger area of coverage than competition; therefore require fewer fans to perform the same function. Furthermore, heavy duty design allows considerably save to maintenance or replacement costs. Substantial savings are realized on the total installed costs of the system on a per square foot basis, which can be calculated via the following formula:

Total square foot area to be covered: A \_\_\_\_\_ ft<sup>2</sup>  
 Area coverage per fan: B \_\_\_\_\_ ft<sup>2</sup>  
 Total fan units required: A / B = C \_\_\_\_\_  
 Fan unit cost: E \$ \_\_\_\_\_  
 Installation cost: D \$ \_\_\_\_\_  
 Total Installed cost: (D+C) \* C, \$ \_\_\_\_\_

*An extreme example would be the use of discount store or home center promotional \$49.95 fans. Let's assume these imported 56" curved tipped patio fans could overcome the AT buoyancy factor and could cover 900 ft.2 per fan. The result is that 65 fans would have to be installed and no summertime cooling would be achieved. The low priced fan with its hidden additional costs is no bargain.*

*Residential patio fans are commonly rated at 400 ft.2 per fan (20'x 20' Living Room 8' tall ceiling).*

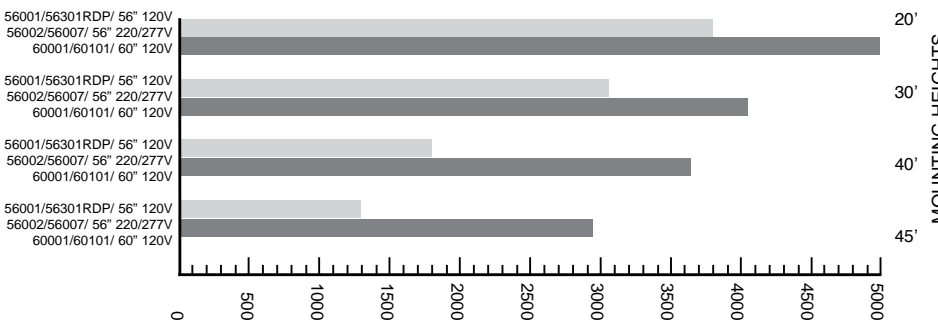
AREA COVERAGE SUMMARY BY FAN BY HEIGHT



**ONLY LEADING EDGE PROVIDES UNIVERSITY DOCUMENTED PERFORMANCE DATA. COMPARE THIS EXCLUSIVE DATA TO ANY OTHER FAN AVAILABLE.**

### INDUSTRIAL & SPECIAL APPLICATION MODELS

TOTAL SQUARE FOOT AREA COVERAGE



# DESTRATIFICATION CEILING FANS

## APPLICATIONS:

Educational facilities, offices, retail stores, restaurants or any other low ceiling application where larger blade diameters span creates maximum air velocity and area coverage at lower RPM's.



U.S. Patent # 5,645,403

## FEATURES:

- Area of coverage - between 1,600 to 3,025 sq ft.
- Proprietary contoured shaped wide blade design for achieving desired RPM and velocity.
- Patented metal rolled back blade edges to comply with UL507 standard. (US Patent #5645403)
- Durable construction for continuous commercial use with the same manufacturing criteria as our heavy duty industrial line.
- Supplied with 8" and 24" downrods and secondary mounting cable.

### 36201 • 36" COMMERCIAL FAN

Designed for smaller areas, where minimal ventilation is required. Ideally suited for isolated areas and as a supplemental cooling fan.

### 48201 • 48" COMMERCIAL FAN

Designed for commercial facilities such as school classrooms, offices, retail stores, restaurants. Provides maximum area coverage for both summer cooling and winter heat destratification.

### 56001LC • 56" COMMERCIAL / SCHOOL CLASSROOM FAN

Designed for spacious areas with **low ceilings** where larger blade diameter span creates maximum air velocity and area coverage at lower RPM's. Engineered specifically for continuous commercial use with the same manufacturing criteria as our heavy duty industrial line. Ideally suited for classrooms.

	BLADE SIZE	ORDER NUMBER	VOLTS	MAX CFM*	AREA COVERAGE**	SHIP WT. (LBS.)
*	36"	36201	120	12,500	1,600 sq ft	20
*	48"	48201	120	21,000	2,025 sq ft	22
*	56"	56001LC	120	25,500	3,025 sq ft	24

\*Effective amount of air volume moved past a plane 20ft. from fan. All specifications subject to change and improvement.

\*\*Area coverage rated for heat destratification at 20' blade mounting height. Maximum continuous operation ambient temperature 105°F.

# DESTRATIFICATION CEILING FANS



U.S. Patent #5,575,624

## MAXIMUM AREA COVERAGE AT LOWEST TOTAL INSTALLED COST.

### APPLICATIONS:

Industrial building, factories, gymnasiums, high bay storage facilities or any other spacious APPLICATIONS: where maximum area coverage is required

### FEATURES:

- Area of coverage - between 3,800 to 5,000 sq ft.
- Proprietary contoured shaped wide blade design for achieving desired RPM and velocity.
- Powerful heavy-duty motor capable of heat destratification at 45 - 75 feet height.
- Supplied with 8" and 24" downrods and secondary mounting cable.
- Patented 56" reversible fan provides the identical airflow volume in either forward or reverse rotation. The dual pitch blade is the only blade designed for maximum reverse direction. Ideal for exhausting, condensation removal and prevention, reverse destratification and other draft free APPLICATIONS: at mounting heights of 10' and higher.

BLADE SIZE	ORDER NUMBER	VOLTS	MAX CFM*	AREA COVERAGE**	COLOR	SHIP WT. (LBS.)
56"	56001	120	27,500	3,800 sq ft	White	24
56"	56011	120	27,500	3,800 sq ft	Brown	24
56"	56002***	220	26,000	3,800 sq ft	White	24
56"	56007	277	26,000	3,800 sq ft	White	24
60"	60001	120	46,000	5,000 sq ft	White	30
60"	60002	220	46,000	5,000 sq ft	White	30
60"	60011	120	46,000	5,000 sq ft	Brown	30
56"	56301RDP****	120	27,000	3,800 sq ft	White	24

**Note: Supplied with 24" downrods.** Secondary mounting cable supplied.

\* Effective amount of air volume moved past a plane 20ft. from fan, industry test. All specifications subject to change and improvement.

\*\* Area coverage rated for heat destratification at 20' blade mounting height. Maximum continuous operation ambient temperature 105°F.

\*\*\* Subject to stock on hand.

\*\*\*\* Reversible fan includes remote mounted toggle switch suitable for up to 12 fans. Switch requires pulling 4 wires (not including ground) from fan to switch.

# SPECIALTY CEILING FANS



**APPLICATIONS:**

Food processing plants, wet factory locations, indoor swimming pool areas, exposed shipping areas, outdoor restaurants, exposed shipping areas, outdoor restaurants, outdoor shopping malls.

**HARSH ENVIRONMENT SPRAY PROOF MODELS**

BLADE SIZE	ORDER NUMBER	VOLTS	MAX CFM*	AREA COVERAGE**	COLOR	SHIP WT. (LBS.)
56"	56101	120	25,500	3,025 sq ft	White	23
60"	60101	120	41,000	5,000 sq ft	White	24

Supplied with 12" down rod.

**APPLICATIONS:**

Poultry houses, hog sheds, dairy barns, green houses, nurseries, stables

**AGRICULTURAL MODELS**



BLADE SIZE	ORDER NUMBER	VOLTS	MAX CFM*	AREA COVERAGE**	COLOR	SHIP WT. (LBS.)
56"	56111	120	25,500	3,025 sq ft	White	23
60"	60111	120	41,000	5,000 sq ft	White	24

Supplied with 12" down rod.

**APPLICATIONS:**

Spot cooling in areas where wall switches are not desired. Also designed for production areas where single unit designation operation is required.

**3 SPEED PULL CHAIN MODELS**

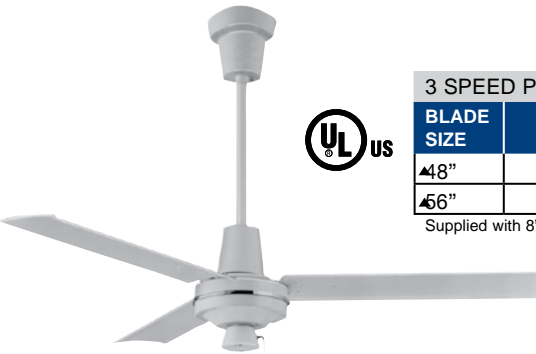


BLADE SIZE	ORDER NUMBER	VOLTS	MAX CFM*	AREA COVERAGE**	COLOR	SHIP WT. (LBS.)
48"	48203	120	27,500	3,800 sq ft	White	23
56"	56003	120	27,500	3,025 sq ft	White	24

Supplied with 8" and 24" down rod

**APPLICATIONS:**

Entertainment establishment, restaurants, retail where black color of the ceiling fans has to match the interior design.



**THEATER FAN MODELS**

BLADE SIZE	ORDER NUMBER	VOLTS	MAX CFM*	AREA COVERAGE**	COLOR	SHIP WT. (LBS.)
48"	48201B	120	21,000	2,025 sq ft	Black	23
56"	56001B	120	27,500	3,800 sq ft	Black	24

Secondary mounting cable supplied.

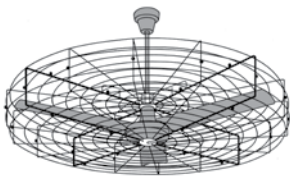
\* Effective amount of air volume moved past a plane 20ft. from fan, industry test. All specifications subject to change and improvement.

\*\* Area coverage rated for heat destratification at 20' blade mounting height.

Maximum continuous operation ambient temperature 105°F

Suitable for low ceiling APPLICATIONS.: U.L. 507 listed.

## CEILING FANS ACCESSORIES



Ceiling Fan Guard - For gymnasiums and public facilities

CATALOG NUMBER	ITEM	SHIP WT. (LBS.)
28001	FAN GUARD 62" DIAMETER FOR INDUSTRIAL 56" AND 60" FANS ♦	50
28002	FAN GUARD 52" DIAMETER FOR COMMERCIAL 36" AND 48" FANS ONLY ♦	40
9FP024	WHITE TILTED CANOPY COVER - BROWN(9FP023), BLACK( 9FP023B)	1
9D12BW	DOWNRODS - 12" Also available in brown, replace "W" in model number with "B"	1
9D18BW	DOWNRODS - 18" Also available in brown, replace "W" in model number with "B"	1
9D36BW	DOWNRODS - 36" Also available in brown, replace "W" in model number with "B"	3
9D48BW	DOWNRODS - 48" (FOR LONGER SIZES - CONSULT FACTORY)	4
99992	OUTDOOR LOCATION INSTALLATION KIT*	1
9DKIT	WHITE DOWNROD Extension kit	
9DKITB	BROWN DOWNROD Extension kit	

Custom models available. Consult with factory for information and specifications.

Use only with heavy-duty / industrial models - Not recommended for low ceiling applications.

♦ Fan Guards ship via UPS \*Only for use with harsh env. fans.

# OPTIONAL MOTOR SPEED CONTROLS

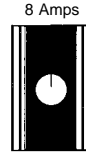
Only Leading Edge motor speed controls are custom engineered, manufactured and UL listed to all Leading Edge Fans.

- For single and multiple fan installations.
- Dial-on/off switch allows high-to-low variable speed control above factory act "anti-stall" level.

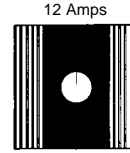
Available in 3, 8, 12 Amp Models, 120/220/277 Volt



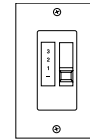
Models:  
12003



Model:  
12008  
27708



Model:  
12012



Models:  
12001N  
12005N

Model:  
12001N  
For Single Fan  
Model:  
12005N  
For Two Fans

## MODEL FAN AND QUANTITY PER CONTROL

ORDER NUMBER	VOLTS	AMPS	36201	48201	56101	56001 56001LC 56301RDP 56007	56002	60001
							60101	
12003	120	3	3	2	2	–	1	
12006	120	6	7	5	5	–	3	
12008	120	8	10	6	6	–	4	
12012	120	12	12	10	10	–	8	
27708*	277	8	–	–	–	2	–	
NOISELESS MECHANICAL CONTROL								
12001N	120	1	–	1			Controls 48" & 56" Models Only	
12005N	120	5	–	2	2		Controls 48" & 56" Models Only	

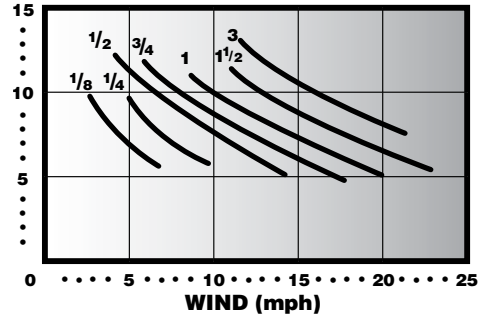
\* 6 fans on 277V

## INTRODUCTION TO AIR CURTAINS

Air Curtains are used for a wide variety of applications from thermal barriers at shopping mall entrances, to fly and insect prevention at restaurant service doors, to factory freight doors for wind resistance and temperature separation. The air curtain enables traffic to flow unobstructed through openings while maintaining distinct environments, thus resulting in energy savings.

The most common type of air curtain is the horizontal, non-recirculating, single jet type. It will satisfy the majority of needs for commercial and industrial applications. The discharge velocity of the air curtain can range from 600 ft/min, for entrance ways, to over 5,000 ft/min, for sealing environments from wind effects and insects.

## Wind Resistance Chart DOOR HEIGHT (FT)



Applications by Door Height		* Wind conditions are classified as follows:						
		● GENTLE=1 to 5 mph ○ LIGHT=5 to 8 mph ■ MODERATE=8 to 12 mph		□ STRONG=12 to 15 mph ◇ SEVERE=15 to 21 mph				
Basic Motor HP/Series		Low Profile	Environmental Series			High Velocity Series		
		1/8 HP	1/4 HP	1/2 HP	3/4 HP	1 HP	1-1/2 HP	3 HP
<b>RETAIL APPLICATIONS</b>								Compact low-profile series designed for retail customer entrances, malls, stores and restaurants. This air curtain acts as a Thermal Barrier for mounting heights of 7' customer entrances and 8' interior doors.
<b>THERMAL BARRIER</b>								
7' RETAIL ENTRANCE		●						
<b>COMMERCIAL APPLICATIONS</b>								Designed for supermarkets, schools, hospitals and other large facilities. This air curtain acts as a Thermal Barrier or Interior Separation device for mounting heights of 8'-10'.
<b>INTERIOR SEPARATION</b>								
8' INTERIOR		●						
10' INTERIOR		●						
<b>THERMAL BARRIER</b>								
8' EXTERIOR		○ ■ □						
10' EXTERIOR		○ ■						
<b>FOOD SERVICE APPLICATIONS</b>								
<b>THERMAL BARRIER</b>								
7' CUSTOMER ENTRANCE		○						
8' CUSTOMER ENTRANCE		○						
<b>FLY &amp; INSECT CONTROL</b>								
7' SERVICE ENTRANCE		■ □						
8' SERVICE ENTRANCE		○ ■						
<b>REFRIGERATION APPLICATIONS</b>								Designed for freezers, coolers, cold storage facilities, processing plants and other refrigerated facilities. This air curtain acts as a Thermal Barrier for mounting heights of 7' - 12'.
<b>THERMAL BARRIER</b>								
7' COOLER		●						
8' COOLER		●						
10' COOLER		●						
12' COOLER		●						
8' FREEZER		●						
10' FREEZER		●						
12' FREEZER		●						
<b>SANITATION APPLICATIONS</b>								Designed for use in meat and poultry packing plants, processing plants and food preparation areas. This air curtain acts as a Fly and Insect Control device for mounting heights of 8'-10'.
<b>FLY &amp; INSECT CONTROL</b>								
8' EXTERIOR		■ □ ◇						
10' EXTERIOR		■ □						
<b>LIGHT INDUSTRIAL APPLICATIONS</b>								Designed for warehouses, manufacturing plants and other large facilities. This air curtain acts as a Wind Resistance or Interior Separation device for mounting heights of 10'-14'.
<b>INTERIOR SEPARATION</b>								
12' INTERIOR OPENING		○						
14' INTERIOR OPENING		○						
<b>WIND RESISTANCE</b>								
10' EXTERIOR DOORWAY		■ □ ◇						
12' EXTERIOR DOORWAY		○ ■						
14' EXTERIOR DOORWAY		○						



# AIR CURTAIN SELECTION FORM

Let us configure an air curtain for you! Please complete the following questionnaire and return to Leading Edge today!

Date:	
To:	
Attn:	
Address:	
Fax:	
Phone:	
Email:	

Company:	
Address:	
Fax:	
Project:	
Phone:	
Contact Name:	

## TYPE OF APPLICATION

- Thermal Barrier  Wind Resistance  
 Cooler  Interior Separation  
 Freezer  Fly & Insect Control  
 Other \_\_\_\_\_

## TYPE OF DOOR

- Horizontal Rise (Garage door)  
 Low Turn-Back  High Turn-Back  
 Hinged Door  
 Roll Up Door (Canister)  
 Vertical Rise  
 Other \_\_\_\_\_

## TYPE OF MOUNT

- Keyhole Wall Mount  
 Wall Brackets  
 Suspension Mount  
 Other \_\_\_\_\_

## DOOR INFORMATION

- Door Width \_\_\_\_ Feet \_\_\_\_ Inches  
 Door Height \_\_\_\_ Feet \_\_\_\_ Inches  
 Door Header \_\_\_\_ Feet \_\_\_\_ Inches  
 (Required for mounting of unit)

## VOLTAGE REQUIREMENTS

- 120/1/60  220/1/60  208/3/60  
 230/3/60  460/3/60  Other \_\_\_\_\_  
 50 Cycle Required \_\_\_\_\_

## TYPE OF HEAT

- Electric  
 Steam Hot Water  
 \*Desired Temperature Rise \_\_\_\_\_  
 \*Desired Temperature Rise \_\_\_\_\_

## DOOR LOCATION

- Interior  Exterior

## WIND RESISTANCE

- 1-8 mph  8-15 mph  Exceeds 15 mph

## NEGATIVE PRESSURE

- Yes  No

## OPTIONAL ACCESSORIES

- Automatic Door Switch (3-phase units require a control panel)  
 Filter  
 With Grill  In Place of Grill  
 Tamper-Resistant Kit

**ADDITIONAL INFORMATION:** \_\_\_\_\_

# LOW-PROFILE SERIES

## APPLICATION:

For use as a Thermal Barrier in retail customer entrances, malls, stores, hospitals, post offices, restaurants, concession windows and walk-in coolers.

## APPLICATION GUIDELINES:

- Create an "open door" atmosphere in retail establishments.
- For mounting heights of 7 ft. for exterior customer entrances or 8 ft. interior doors.
- Reduce infiltration of exterior air, fumes, dust and dirt.
- Act as a temperature separation device, repelling outside air while maintaining interior environment.
- Patented design allows for continuous mounting.

## FEATURES:

- Modern contemporary design with choice of electro-static powder paint or quality stainless steel.
- Cross-flow blower wheels for maximum outlet uniformity.
- Easily adjustable air directional vanes.
- Two speed motor with convenient selector switch.
- Pre-wired 48 inch molded cord/plug for simple installation.
- Quick-Mount mounting plate included. No template required to locate mounting screws.
- Units can be installed in series for side by side continuous mounting.

## EXCLUSIVE FEATURES ARCHITECTURAL SERIES:

- Extended anodized, aluminum design that compliments store interiors and public facilities.
- Custom paint to accent architectural sill-height heaters in vestibules and receptions areas.



Low-Profile -  
Contemporary Series



Low-Profile -  
Architectural Series



MODEL	NOZZLE WIDTH (IN)	VOLTS	AMPS	MAX VEL (FPM)	AVG VEL (FPM)	AIRFLOW (CFM)	WT. (LBS.)	MOTORS (HP)
<b>CONTEMPORARY POWDER PAINT</b>								
MLP36001115GR	36	120	1.3	1800	1800 / 1350	1200 / 900	32	1 @ 1/15
MLP42001110GR	42	120	1.6	1800	1800 / 1350	1380 / 1040	37	1 @ 1/10
MLP48001108GR	48	120	2.1	1800	1800 / 1350	1600 / 1210	42	1 @ 1/8
MLP60001108GR	60	120	2.1	1800	1800 / 1350	2060 / 1550	53	1 @ 1/8
MLP36001208GR	36	240	0.7	1800	1800 / 1350	1200 / 900	32	1 @ 1/8
MLP42001208GR	42	240	0.7	1800	1800 / 1350	1380 / 1040	37	1 @ 1/8
MLP48001206GR	48	240	1.0	1800	1800 / 1350	1600 / 1210	42	1 @ 1/6
MLP60001206GR	60	240	1.0	1800	1800 / 1350	2060 / 1550	43	1 @ 1/6
<b>CONTEMPORARY STAINLESS STEEL</b>								
MLP36001115GRSS	36	120	1.3	1800	1800 / 1350	1200 / 900	32	1 @ 1/15
MLP42001110GRSS	42	120	1.6	1800	1800 / 1350	1380 / 1040	37	1 @ 1/10
MLP48001108GRSS	48	120	2.1	1800	1800 / 1350	1600 / 1210	42	1 @ 1/8
MLP60001108GRSS	60	120	2.1	1800	1800 / 1350	2060 / 1550	53	1 @ 1/8
MLP36001208GRSS	36	240	0.7	1800	1800 / 1350	1200 / 900	32	1 @ 1/8
MLP42001208GRSS	42	240	0.7	1800	1800 / 1350	1380 / 1040	37	1 @ 1/8
MLP48001206GRSS	48	240	1.0	1800	1800 / 1350	1600 / 1210	42	1 @ 1/6
MLP60001206GRSS	60	240	1.0	1800	1800 / 1350	2060 / 1550	43	1 @ 1/6
<b>ARCHITECTURAL SERIES</b>								
MLP36001115GA	36	120	1.3	1800	1800 / 1350	1200 / 900	32	1 @ 1/15
MLP42001110GA	42	120	1.6	1800	1800 / 1350	1380 / 1040	37	1 @ 1/10
MLP48001108GA	48	120	2.1	1800	1800 / 1350	1600 / 1210	42	1 @ 1/8
MLP60001108GA	60	120	2.1	1800	1800 / 1350	2060 / 1550	53	1 @ 1/8
MLP36001208GA	36	240	0.7	1800	1800 / 1350	1200 / 900	32	1 @ 1/8
MLP42001208GA	42	240	0.7	1800	1800 / 1350	1380 / 1040	37	1 @ 1/8
MLP48001206GA	48	240	1.0	1800	1800 / 1350	1600 / 1210	42	1 @ 1/6
MLP60001206GA	60	240	1.0	1800	1800 / 1350	2060 / 1550	43	1 @ 1/6



# ENVIRONMENTAL SERIES AIR CURTAINS

## APPLICATION:

- Commercial - supermarkets, schools, hospitals.
- Food Service - restaurants, bakeries, cafeterias.
- Refrigeration - freezers, coolers, processing plants.

## FEATURES:

- Galvanized, corrosion-resistant, heavy duty steel cabinet.
- Easy access; no tools required for inspection and cleaning.
- Heavy duty, totally enclosed motors with permanently lubricated bearings.
- Electrically heated models available.
- Hot Water/Steam Heated Models.
- Exclusive Smart-Trac II Adjustable Mounting System (Pat. Pend.) allows for 6-way adjustment and alignment at the cabinet to compensate for possible overhead obstacles such as sprinkle pipes, conduit and beams. (Optional on all models.)



MODEL NUMBER	WIDTH (IN)	AIR DELIVERY @ NOZZLE OUTLET			# MOTORS @ HP	INPUT POWER RATING (KW)*		APPROX SHIP WT. (LBS.)
		MAX VELOCITY (FPM) HI/LOW†	AVG VELOCITY (FPM) HI/LOW†	AVG AIR FLOW RATE (CFM) HI/LOW†		1-PH	3-PH	
<b>1/4 HP MODELS</b>								
E36001#25	36	2800 / 1850	2000 / 1480	1620 / 1200	1 @ 1/4	0.41	0.24	65
E38001#25	38	2800 / 1850	1955 / 1450	1670 / 1240	1 @ 1/4	0.41	0.24	67
E42001#25	42	2800 / 1850	1900 / 1410	1795 / 1330	1 @ 1/4	0.41	0.24	70
E48001#25	48	2800 / 1850	1855 / 1375	2000 / 1480	1 @ 1/4	0.41	0.24	77
E60002#25	60	2800 / 1850	2125 / 1575	2880 / 2135	2 @ 1/4	0.82	0.48	128
E72002#25	72	2800 / 1850	2000 / 1480	3240 / 2400	2 @ 1/4	0.82	0.48	130
E76002#25	76	2800 / 1850	1955 / 1450	3340 / 2475	2 @ 1/4	0.82	0.48	134
E84002#25	84	2800 / 1850	1915 / 1420	3620 / 2680	2 @ 1/4	0.82	0.48	142
E96002#25	96	2800 / 1850	1855 / 1375	4000 / 2960	2 @ 1/4	0.82	0.48	154
E10803#25	108	2800 / 1850	2000 / 1480	4860 / 3600	3 @ 1/4	1.23	0.72	195
E12003#25	120	2800 / 1850	1945 / 1440	5240 / 3880	3 @ 1/4	1.23	0.72	207
E13203#25	132	2800 / 1850	1895 / 1405	5620 / 4160	3 @ 1/4	1.23	0.72	219
E14403#25	144	2800 / 1850	1855 / 1375	6000 / 4440	3 @ 1/4	1.23	0.72	231
<b>1/2 HP MODELS</b>								
E36001#50	36	3800 / 2815	3040 / 2250	2460 / 1820	1 @ 1/2	0.62	0.40	74
E38001#50	38	3800 / 2815	2965 / 2195	2535 / 1880	1 @ 1/2	0.62	0.40	76
E42001#50	42	3800 / 2815	2890 / 2140	2730 / 2020	1 @ 1/2	0.62	0.40	79
E48001#50	48	3800 / 2815	2815 / 2085	3040 / 2250	1 @ 1/2	0.62	0.40	86
E60002#50	60	3800 / 2815	3230 / 2390	4375 / 3240	2 @ 1/2	1.25	0.80	148
E72002#50	72	3800 / 2815	3040 / 2250	4920 / 3645	2 @ 1/2	1.25	0.80	148
E76002#50	76	3800 / 2815	2965 / 2195	5070 / 3755	2 @ 1/2	1.25	0.80	152
E84002#50	84	3800 / 2815	2910 / 2155	5500 / 4070	2 @ 1/2	1.25	0.80	160
E96002#50	96	3800 / 2815	2815 / 2085	6080 / 4500	2 @ 1/2	1.25	0.80	172
E10803#50	108	3800 / 2815	3040 / 2250	7380 / 5465	3 @ 1/2	1.87	1.20	222
E12003#50	120	3800 / 2815	2950 / 2184	7960 / 5890	3 @ 1/2	1.87	1.20	234
E13203#50	132	3800 / 2815	2875 / 2130	8540 / 6320	3 @ 1/2	1.87	1.20	246
E14403#50	144	3800 / 2815	2815 / 2085	9120 / 6750	3 @ 1/2	1.87	1.20	258
<b>3/4 HP MODELS</b>								
E36001#75	36	4850 / 3590	3880 / 2875	3140 / 2325	1 @ 3/4	0.94	1.20	83
E38001#75	38	4850 / 3590	3790 / 2805	3240 / 2400	1 @ 3/4	0.94	1.20	86
E42001#75	42	4850 / 3590	3685 / 2730	3480 / 2575	1 @ 3/4	0.94	1.20	89
E48001#75	48	4850 / 3590	3595 / 2660	3880 / 2875	1 @ 3/4	0.94	1.20	96
E60001#75	60	4850 / 3590	3395 / 2510	4580 / 3390	1 @ 3/4	1.87	2.39	112
E72002#75	72	4850 / 3590	3880 / 2875	6280 / 4650	2 @ 3/4	1.87	2.39	166
E76002#75	76	4850 / 3590	3790 / 2805	6480 / 4795	2 @ 3/4	1.87	2.39	172
E84002#75	84	4850 / 3590	3715 / 2750	7020 / 5195	2 @ 3/4	1.87	2.39	179
E96002#75	96	4850 / 3590	3595 / 2660	7760 / 5745	2 @ 3/4	1.87	2.39	192
E10803#75	108	4850 / 3590	3880 / 2875	9420 / 6975	3 @ 3/4	2.81	3.59	249
E12003#75	120	4850 / 3590	3765 / 2790	10160 / 7520	3 @ 3/4	2.81	3.59	262
E13203#75	132	4850 / 3590	3670 / 2720	10900 / 8070	3 @ 3/4	2.81	3.59	275
E14403#75	144	4850 / 3590	3595 / 2660	11640 / 8615	3 @ 3/4	2.81	3.59	288

# - Indicate Voltage: 1 = 120/1, 2 = 220/1, 3 = 208/3, 4 = 230/3, 5 = 460/3

\* - AMP Draw maybe Estimated as Follows: 1 - ph =  $\frac{\text{Power Rating} \cdot 1000}{\text{Voltage}}$  ; 3 - ph =  $\frac{\text{Power Rating} \cdot 1000}{\text{Voltage} \cdot 1.732}$

† - Low speed only available on 1-PH units

# 3-PHASE ENVIRONMENTAL ELECTRICALLY

## HEATED SERIES

### APPLICATION:

- For use in vestibules, lobbies, staging areas, reception areas, waiting rooms and other customer greeting areas.
- Heated air curtains are not designed to hold 100% of incoming cold air, as the required air velocity generated would be uncomfortable to patrons. The incoming cold air is entrained in the warm curtain of air, thus maintaining comfort levels.
- Heated units also reduce the wind chill effect of personnel walking through or standing near openings.

### FEATURES:

- New modular designed cabinet allows 8 to 48 kilowatts of heating capacity, in lengths ranging from 36 to 144 inches.
- Large, easily accessible pre-wired control box is side mounted and features a hinged swing down access panel.
- Easily visible indicator lights on control panel alerts operator when power to the unit is on and when fan and heat are operating.
- Helical coil heating element modules are easily replaceable.
- Heating elements are thermally protected and include a pilot light feature.
- Hinged element control panel is located in front of nozzle and swings down for servicing.
- Air-flow safety sensor disables heating element in the event motor/blowers need servicing or are wired incorrectly.
- Use Wall-mounted 24-volt thermostat for temperature control. (Not Included.)
- Can be operated with or without heat for winter and summer operation.
- Exclusive Smart-Trac II Adjustable Mounting System Optional on all models.



### Available In:

- Three phase 60Hz, 208 volt motor and heat.
- Three phase 60Hz, 240 / 208 volt motor and heat.
- Three phase 60Hz, 480 volt motor and heat.
- For additional models consult factory.

### AIR DELIVERY @ NOZZLE OUTLET

MODEL NUMBER	WIDTH (IN)	NUMBER OF CABINETS	CONTROL VOLTAGE	MAX VEL (FPM)	AVG VEL (FPM)	AIRFLOW (CFM)	APPROX. SHIP WT. (LBS. )	# MOTORS @ HP
<b>1/2 HP MODELS</b>								
E36++1#50HE	36	1	24	3800	3040	2460	93	1 @ 1/2
E42++1#50HE	42	1	24	3800	2890	2730	98	1 @ 1/2
E48++1#50HE	48	1	24	3800	2815	3040	105	1 @ 1/2
E60++1#50HE	60	1	24	3800	2740	3350	117	1 @ 1/2
E72++2#50HE	72	2	24	3800	3040	4920	177	2 @ 1/2
E84++2#50HE	84	2	24	3800	2910	5460	181	2 @ 1/2
E96++2#50HE	96	2	24	3800	2815	6080	189	2 @ 1/2
E108++3#50HE	108	3	24	3800	3040	7380	261	3 @ 1/2
E120++3#50HE	120	3	24	3800	2950	7920	273	3 @ 1/2
E132++3#50HE	132	3	24	3800	2875	8540	285	3 @ 1/2
E144++3#50HE	144	3	24	3800	2815	9120	297	3 @ 1/2
<b>3/4 HP MODELS</b>								
E42++1#75HE	42	1	24	4850	3685	3480	108	1 @ 3/4
E48++1#75HE	48	1	24	4850	3595	3880	115	1 @ 3/4
E60++1#75HE	60	1	24	4850	3395	4580	131	1 @ 3/4
E72++2#75HE	72	2	24	4850	3880	6280	195	2 @ 3/4
E84++2#75HE	84	2	24	4850	3715	6960	208	2 @ 3/4
E96++2#75HE	96	2	24	4850	3595	7760	221	2 @ 3/4
E108++3#75HE	108	3	24	4850	3880	9420	288	3 @ 3/4
E120++3#75HE	120	3	24	4850	3765	10100	301	3 @ 3/4
E132++3#75HE	132	3	24	4850	3670	10900	314	3 @ 3/4
E144++3#75HE	144	3	24	4850	3595	11640	327	3 @ 3/4

++ TOTAL HEATER KW AVAILABLE (SELECT FROM BELOW) • # - SELECT VOLTAGE: 3 = 208V 3-PH, 4 = 240V/208V 3-PH, 5 = 480V 3-PH.

**Note:** Stock Cabinet and Grille color is Neutral Gray. Other standard colors available on request include: Navajo White, Northern White, Black, Charcoal Gray, Aluminum, Statuary Bronze and Desert Tan.

	KW	BTU/HR	KW	BTU/HR	KW	BTU/HR
<b>1-CABINET</b>	08	27,230	12	40,980	16	54,640
<b>2-CABINET</b>	16	54,640	24	81,960	32	109,280
<b>3-CABINET</b>	24	81,960	36	122,940	48	163,920

**NOTE:** Multiply listed wattage by .75 for actual 208V rating. Maximum 15 kilowatts per cabinet at 240V.

# SINGLE PHASE ENVIRONMENTAL SERIES

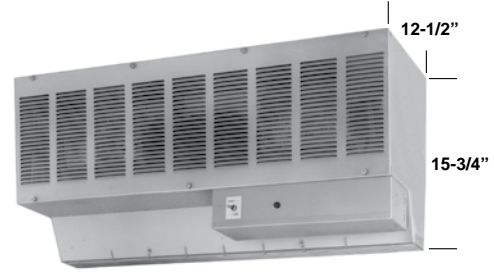
## ELECTRICALLY HEATED

### APPLICATIONS:

- For use in vestibules, lobbies, staging areas, reception areas, waiting rooms and other customer greeting areas.
- Heated air curtains are not designed to hold 100% of incoming cold air, as the required air velocity generated would be uncomfortable to patrons. The incoming cold air is entrained in the warm curtain of air, thus maintaining comfort level.
- Heated units also reduce the wind chill effect of personnel walking through or standing near an opening.

### FEATURES:

- Heated units supplied with pre-wired heater control box for efficient installation.
- Wall-mounted 24-volt thermostat for temperature control.
- Multiple coil capacities for proper application requirements.
- Heater control panel mounts in front of nozzle, below grill.



### Available In:

- Single phase 60Hz, 120 volt motor, 240 volt heat.

MODEL NUMBER	WIDTH (IN)	HEATER		CONTROL VOLTAGE	MAX VEL (FPM)	AVG VEL (FPM)	AIRFLOW (CFM)	# MOTORS @ HP
		WATTS	BTU/HR					
E36061125H	36	6,000	20,478	24	2500	2000	1620	1 @ 1/4
E42061125H	42				2500	1900	1795	1 @ 1/4
E48061125H	48				2500	1855	2000	1 @ 1/4
E36091125H	36	9,000	30,717	24	2500	2000	1620	1 @ 1/4
E42091125H	42				2500	1900	1795	1 @ 1/4
E48091125H	48				2500	1855	2000	1 @ 1/4

# - Indicate Voltage: 1 = 120V-MTR/240V-HTR

## HOT WATER - STEAM HEATED

### APPLICATION:

- For use in facilities with continuously open doors or which require supplemental perimeter heating.
- Provides an economical source of heat when steam or hot water is readily available.
- Treats incoming air and prevents cold air from infiltrating large areas.
- Also used as supplemental heat when operated with door closed to provide additional perimeter heating.

### FEATURES:

- Unique universal construction method designed for both low-pressure steam or hot water applications.
- Premium quality coils provide superior heat transfer effectiveness for both low-pressure steam and hot water applications.
- Universal left- or right-hand opposite end connected coils.
- Single- or double-row coils available for desired capacity.
- Constructed of highly-effective 1/2-inch copper tubing with corrugated aluminum fins.

WIDTH (IN)	HOT WATER					STEAM				
	Based on 70°F entering air, 200°F entering water & 180° exiting water									
	MODEL NUMBER	CAPACITY (MBH)	TEMP RISE (F)	CAPACITY (MBH)	TEMP RISE (F)	MODEL NUMBER	CAPACITY (MBH)	TEMP RISE (F)	CAPACITY (MBH)	TEMP RISE (F)
<b>1/2 HP MODELS</b>										
48	E48001#50HW@	54.1	16.3	104	31.2	E48001#50HS@	81.6	24.7	-	-
60	E60002#50HW@	77.4	16.2	149	31.1	E60002#50HS@	111	23.4	-	-
72	E72002#50HW@	91.8	17.1	176	32.7	E72002#50HS@	128	24.1	-	-
84	E84002#50HW@	106	17.6	203	33.7	E84002#50HS@	145	24.1	-	-
96	E96002#50HW@	121	18.2	231	34.7	E96002#50HS@	164	24.8	-	-
108	E10803#50HW@	134	16.6	267	33.0	E10803#50HS@	186	23.0	-	-
120	E12003#50HW@	159	18.3	304	35.0	E12003#50HS@	210	24.3	-	-
132	E13203#50HW@	173	18.5	331	35.4	E13203#50HS@	226	24.2	-	-
144	E14403#50HW@	188	18.9	359	36.1	E14403#50HS@	244	24.7	-	-
<b>3/4 HP MODELS</b>										
48	E48001#75HW@	63.2	14.9	122	28.7	E48001#75HS@	94.2	22.4	180	42.7
60	E60002#75HW@	93.3	15.3	180	29.6	E60002#75HS@	131	21.7	251	41.5
72	E72002#75HW@	107	15.6	207	30.1	E72002#75HS@	148	21.7	283	41.5
84	E84002#75HW@	123	16.0	239	31.1	E84002#75HS@	168	21.8	321	41.7
96	E96002#75HW@	142	16.7	272	32.1	E96002#75HS@	189	22.4	360	42.8
108	E10803#75HW@	163	15.8	315	30.5	E10803#75HS@	215	20.8	410	39.8
120	E12003#75HW@	187	16.8	359	31.5	E12003#75HS@	242	21.9	462	41.9
132	E13203#75HW@	203	17.0	391	32.7	E13203#75HS@	261	21.9	499	41.8
144	E14403#75HW@	221	17.4	424	32.5	E14403#75HS@	282	22.3	538	42.6

# - Indicate Voltage: 1 = 120/1, 2 = 200/1, 3 = /208/3, 4 = 230/3, 5 = 460/3; @ denote no. of rows

\* - Add 12" for total unit width

NOTE: Hot Water/Steam units require 6 week lead time.

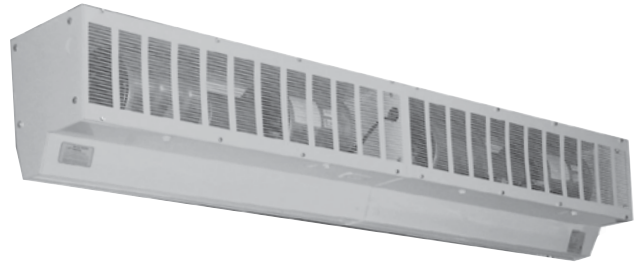
# HIGH VELOCITY SERIES

## APPLICATION:

- For use in warehouses, manufacturing plants and other large facilities.

## FEATURES:

- Galvanized, corrosion-resistant cabinet and intake grill.
- Corrosion-resistant dual-intake scrolls.
- Precision-balance twin stainless steel blower wheels.
- Exclusive Smart-Trac II Adjustable Mounting System (Pat. Pend.) allows for 6-way adjustment and alignment at the cabinet to compensate for possible overhead obstacles such as sprinkler pipes, conduit and beams. (Optional on all models.)
- Stem and Hot Water heat available.



MODEL NUMBER	WIDTH (IN)	AIR DELIVERY @ NOZZLE OUTLET			# MOTORS @ HP	NPUT POWER RATING (KW)* 3-PH	APPROX. SHIP WT. (LBS.)
		MAX VELOCITY (FPM)	AVG VELOCITY (FPM)	AVG AIR FLOW RATE (CFM)			
<b>1 HP MODELS</b>							
EL36001#00LI	36	5250	4200	3400	1 @ 1	1.20	65
EL38001#00LI	38	5250	4095	3500	1 @ 1	1.20	67
EL42001#00LI	42	5250	3990	3770	1 @ 1	1.20	70
EL48001#00LI	48	5250	3890	4200	1 @ 1	1.20	77
EL60001#00LI	60	5250	3675	4960	1 @ 1	2.39	128
EL72002#00LI	72	5250	4200	6800	2 @ 1	2.39	130
EL76002#00LI	76	5250	4095	7000	2 @ 1	2.39	134
EL84002#00LI	84	5250	4025	7600	2 @ 1	2.39	142
EL96002#00LI	96	5250	3890	8400	2 @ 1	2.39	154
EL10803#00LI	108	5250	4200	10200	3 @ 1	3.59	195
EL12003#00LI	120	5250	4075	11000	3 @ 1	3.59	207
EL13203#00LI	132	5250	3975	11800	3 @ 1	3.59	219
EL14403#00LI	144	5250	3890	6000 / 4440	3 @ 1	3.59	231
<b>1 1/2 HP MODELS</b>							
EL36001#05LI	36	5900	4130	3345	1 @ 1 1/2	3.19	80
EL38001#05LI	38	5900	4015	3430	1 @ 1 1/2	3.19	82
EL42001#05LI	42	5900	3895	3680	1 @ 1 1/2	3.19	88
EL48001#05LI	48	5900	3780	4080	1 @ 1 1/2	3.19	92
EL60001#05LI	60	5900	3540	4780	1 @ 1 1/2	6.37	108
EL72002#05LI	72	5900	4130	6690	2 @ 1 1/2	6.37	160
EL76002#05LI	76	5900	4015	6860	2 @ 1 1/2	6.37	164
EL84002#05LI	84	5900	3930	7425	2 @ 1 1/2	6.37	172
EL96002#05LI	96	5900	3780	8160	2 @ 1 1/2	6.37	184
EL10803#05LI	108	5900	4130	10035	3 @ 1 1/2	9.56	240
EL12003#05LI	120	5900	3990	10770	3 @ 1 1/2	9.56	252
EL13203#05LI	132	5900	3875	11505	3 @ 1 1/2	9.56	264
EL14403#05LI	144	5900	3780	12240	3 @ 1 1/2	9.56	276
<b>3 HP MODELS</b>							
EL36001#30LI	36	7200	5040	4080	1 @ 3	1.51	91
EL38001#30LI	38	7200	4905	4190	1 @ 3	1.51	94
EL42001#30LI	42	7200	4760	4495	1 @ 3	1.51	98
EL48001#30LI	48	7200	4615	4980	1 @ 3	1.51	106
EL60001#30LI	60	7200	4320	5830	1 @ 3	3.03	122
EL72002#30LI	72	7200	5040	8160	2 @ 3	3.03	182
EL76002#30LI	76	7200	4905	8380	2 @ 3	3.03	188
EL84002#30LI	84	7200	4795	9060	2 @ 3	3.03	197
EL96002#30LI	96	7200	4615	9960	2 @ 3	3.03	212
EL10803#30LI	108	7200	5040	12240	3 @ 3	4.54	273
EL12003#30LI	120	7200	4870	13140	3 @ 3	4.54	288
EL13203#30LI	132	7200	4730	14040	3 @ 3	4.54	303
EL14403#30LI	144	7200	4615	14940	3 @ 3	4.54	318

# - Indicate Voltage: 3 = 208/3, 4 = 230/3, 5 = 460/3, 6 = 600/3

\* - AMP Draw maybe Estimated as Follows: 3-ph =  $\frac{\text{Power Rating} \cdot 1000}{\text{Voltage} \cdot 1.732}$

# 3-PHASE HIGH VELOCITY ELECTRICALLY

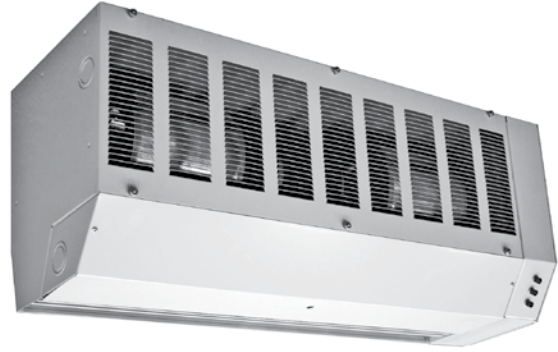
## HEATED SERIES

### APPLICATION:

- For use in warehouses, manufacturing plants and other large facilities with continuously open doors or provide supplemental heat when operated with doors closed.
- Heated air curtains are not designed to hold 100% of incoming cold air, as the required air velocity generated would be uncomfortable to patrons. The incoming cold air is entrained in the warm curtain of air, thus maintaining comfort levels.
- Heated units also reduce the wind chill effect of personnel walking through or standing near openings.

### FEATURES:

- New modular designed cabinet allows 8 to 48 kilowatts of heating capacity, in lengths ranging from 42 to 144 inches.
- Large, easily accessible pre-wired control box is side mounted and features a hinged swing down access panel.
- Easily visible indicator lights on control panel alerts operator when power to the unit is on and when fan and heat are operating.
- Helical coil heating element modules are easily replaceable.
- Heating elements are thermally protected and include a pilot light feature.
- Hinged element control panel is located in front of nozzle and swings down for servicing.
- Air-flow safety sensor disables heating element in the event motor/blowers need servicing or are wired incorrectly.
- Use Wall-mounted 24-volt thermostat for temperature control. (Not Included.)
- Can be operated with or without heat for winter and summer operation.
- Exclusive Smart-Trac II Adjustable Mounting System Optional on all models.



### Available In:

- Three phase 60Hz, 208 volt motor and heat.
- Three phase 60Hz, 240 / 208 volt motor and heat.
- Three phase 60Hz, 480 volt motor and heat.
- For additional models consult factory.

AIR DELIVERY @ NOZZLE OUTLET								
MODEL NUMBER	WIDTH (IN)	NUMBER OF CABINETS	CONTROL VOLTAGE	MAX VEL (FPM)	AVG VEL (FPM)	AIRFLOW (CFM)	APPROX. SHIP WT. (LBS.)	# MOTORS @ HP
<b>1 HP MODELS</b>								
E42++1#00HE	42	1	24	5250	3990	3770	109	1 @ 1
E48++1#00HE	48	1	24	5250	3890	4200	116	1 @ 1
E60++1#00HE	60	1	24	5250	3675	4960	132	1 @ 1
E72++2#00HE	72	2	24	5250	4200	6800	197	2 @ 1
E84++2#00HE	84	2	24	5250	3990	7540	210	2 @ 1
E96++2#00HE	96	2	24	5250	3890	8400	268	2 @ 1
E108++3#00HE	108	3	24	5250	4200	10200	291	3 @ 1
E120++3#00HE	120	3	24	5250	4075	10940	304	3 @ 1
E132++3#00HE	132	3	24	5250	3975	11800	317	3 @ 1
E144++3#00HE	144	3	24	5250	3890	12600	330	3 @ 1
<b>3 HP MODELS</b>								
E42++1#30HE	42	1	24	7200	4760	4495	117	1 @ 3
E48++1#30HE	48	1	24	7200	4615	4980	125	1 @ 3
E60++1#30HE	60	1	24	7200	4320	5830	141	1 @ 3
E72++2#30HE	72	2	24	7200	5040	8160	211	2 @ 3
E84++2#30HE	84	2	24	7200	4760	8990	226	2 @ 3
E96++2#30HE	96	2	24	7200	4615	9960	241	2 @ 3
E108++3#30HE	108	3	24	7200	5040	12240	312	3 @ 3
E120++3#30HE	120	3	24	7200	4870	13070	327	3 @ 3
E132++3#30HE	132	3	24	7200	4730	14040	342	3 @ 3
E144++3#30HE	144	3	24	7200	4615	14940	357	3 @ 3

++ TOTAL HEATER KW AVAILABLE (SELECT FROM BELOW).

	KW	BTU/HR	KW	BTU/HR	KW	BTU/HR
1-CABINET	08	27,230	12	40,980	16	54,640
2-CABINET	16	54,640	24	81,960	32	109,280
3-CABINET	24	81,960	36	122,940	48	163,920

NOTE: Multiply listed wattage by .75 for actual 208V rating. Maximum 15 kilowatts per cabinet at 240V.

# - SELECT VOLTAGE: 3 = 208V 3-PH, 4 = 240V/208V 3-PH, 5 = 480V 3-PH.

Note: Stock Cabinet and Grille color is Neutral Gray. Other standard colors available on request include: Navajo White, Northern White, Black, Charcoal Gray, Aluminum, Statuary Bronze and Desert Tan.

# HIGH VELOCITY SERIES - HOT WATER / STEAM HEATED

## APPLICATION:

- For use in facilities with continuously open doors or which require supplemental perimeter heating.

## FEATURES:

- Provides an economical source of heat when steam or hot water is readily available.
- Treats incoming air and prevents cold air from infiltrating large areas.
- Also used as supplemental heat when operated with door closed to provide additional perimeter heating.
- Unique universal construction method designed for both low-pressure steam or hot water applications.
- Premium quality coils provide superior heat transfer effectiveness for both low-pressure steam and hot water applications.
- Universal left- or right-hand installation on all coils.
- Single- or double-row coils available for desired capacity.
- Constructed of highly-effective 1/2-inch copper tubing with corrugated aluminum fins.



Featuring **HEATCRAFT®** COILS



WIDTH (IN)	BASE MODEL	HOT WATER BASED ON 70° F ENTERING AIR 200° F ENTERING WATER & 180° F LEAVING WATER				STEAM BASED ON 5 PSIG STEAM, 70° F ENTERING AIR				
		ONE ROW		TWO ROW		ONE ROW		TWO ROW		
		CAPACITY TEMP (MBH)	TEMP RISE (F)	CAPACITY TEMP (MBH)	TEMP RISE (F)	BASE MODEL	CAPACITY TEMP (MBH)	TEMP RISE (F)	CAPACITY TEMP (MBH)	TEMP RISE (F)
<b>1 HP MODELS</b>										
48"	EL48001#00HW@	66.4	14.5	128	27.9	EL48001#00HS@	98.5	21.6	189	41.4
60"	EL60001#00HW@	98.1	14.9	190	28.7	EL60001#00HS@	137	20.9	263	40.2
72"	EL72002#00HW@	113	15.2	217	29.3	EL72002#00HS@	154	20.9	296	40.1
84"	EL84002#00HW@	129	15.5	251	30.2	EL84002#00HS@	175	21.0	336	40.4
96"	EL96002#00HW@	149	16.2	287	31.2	EL96002#00HS@	197	21.6	378	41.4
108"	EL10803#00HW@	172	15.4	332	29.7	EL10803#00HS@	224	20.0	430	38.5
120"	EL12003#00HW@	196	16.3	378	31.5	EL12003#00HS@	252	21.2	484	40.6
132"	EL13203#00HW@	213	16.5	412	31.9	EL13203#00HS@	272	21.1	523	40.5
144"	EL14403#00HW@	232	16.9	447	32.5	EL14403#00HS@	294	21.5	564	41.2
<b>1 1/2 HP MODELS</b>										
48"	EL48001#05HW@	65.2	14.6	126	28.2	EL48001#05HS@	96.9	21.9	185	41.9
60"	EL60001#05HW@	97.6	14.9	188	28.8	EL60001#05HS@	136	21	262	40.3
72"	EL72002#05HW@	112	15.3	215	29.4	EL72002#05HS@	153	21.1	293	40.4
84"	EL84002#05HW@	128	15.8	247	30.4	EL84002#05HS@	173	21.2	331	40.7
96"	EL96002#05HW@	146	16.4	281	31.5	EL96002#05HS@	194	21.9	371	41.9
108"	EL10803#05HW@	169	15.4	326	29.7	EL10803#05HS@	221	20.1	424	38.6
120"	EL12003#05HW@	194	16.5	373	31.7	EL12003#05HS@	249	21.4	478	41.4
132"	EL13203#05HW@	210	16.7	405	32.2	EL13203#05HS@	269	21.3	515	40.9
144"	EL14403#05HW@	228	17.1	439	32.8	EL14403#05HS@	290	21.8	554	41.8
<b>3 HP MODELS</b>										
48"	EL48001#30HW@	73.6	13.5	143	26.2	EL48001#30HS@	108	20	208	38.5
60"	EL60001#30HW@	110	13.8	214	26.8	EL60001#30HS@	152	19.2	293	37
72"	EL72002#30HW@	126	14.1	244	27.4	EL72002#30HS@	170	19.2	328	37.1
84"	EL84002#30HW@	143	14.4	278	28.0	EL84002#30HS@	191	19.2	368	37.1
96"	EL96002#30HW@	162	15.4	314	29.7	EL96002#30HS@	213	20.3	409	39
108"	EL10803#30HW@	188	14.0	368	27.5	EL10803#30HS@	245	18.3	471	35.2
120"	EL12003#30HW@	219	15.3	424	29.6	EL12003#30HS@	278	19.5	535	37.5
132"	EL13203#30HW@	238	15.5	461	30.0	EL13203#30HS@	300	19.5	577	37.6
144"	EL14403#30HW@	259	15.8	500	30.6	EL14403#30HS@	323	19.9	621	38.3

**Note:** Hot Water/Steam units require 6 week lead time.

# - Denotes Unit Voltage: 3 = 208/3, 4 = 230/3, 5 = 460/3, 6 = 600/3.

@ - Indicates Number of Rows (1 or 2.)

\*Add 12" for total unit width.

**Note:** Standard coils are opposite ends connected. For pricing on same end connected coils, consult factory.



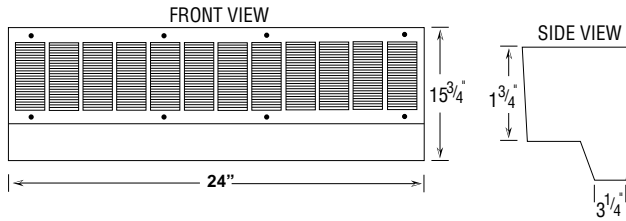
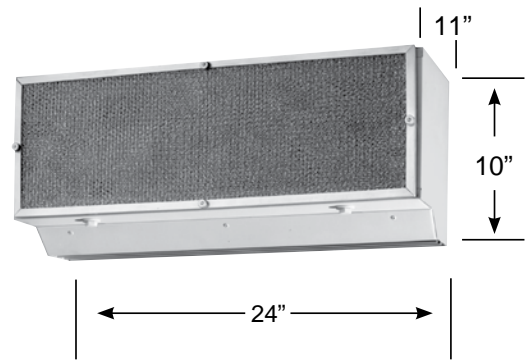
# 24" DRIVE-THRU WINDOW UNIT

## APPLICATIONS:

For use in restaurants, fast food windows, schools and drive-ins.

## FEATURES:

- Designed to provide protection against flies and insects, dust and odors.
- For service windows up to 30" wide with a maximum mounting height of 5 ft. nozzle-to-counter.



MODEL NUMBER	ITEM DESCRIPTION	MAX FPM AT NOZZLE	MAX CFM AT NOZZLE	MAX FPM 2' ABOVE COUNTER	HP	VOLTS	MAX AMPS	APPROX. SHIP WT. (LBS.)
E24001115F	With filter only	3000	1600	750	1/15	120	1.3	25
E24001115G	With intake grille only	3000	1600	750	1/15	120	1.3	25
E24001115FG	With filter and grille	3000	1600	750	1/15	120	1.3	25

# ACCESSORIES AND CONTROLS

## Door Switches

For use with all air curtains for instant activation or deactivation of unit upon door opening or closing.

- Automatic switches available for all models. (Three-phase motors require a control panel. See below.)
- Plunger Style for hinged doors or Roller Style for sliding and track doors.

Note: Not recommended for use with heated units.



MODEL	STYLE	VOLTAGE	MAX AMPS	SHIP WT. (LBS.)
C1200R	Plunger/Roller	120	20	1

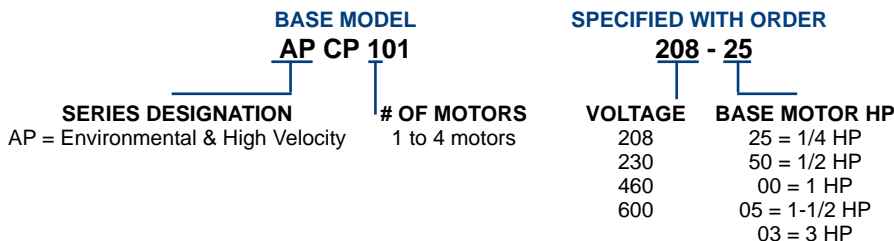
## Control Panels

For three-phase air curtains requiring instant on/off automatic switches.

Control Panels contain a single contactor with one adjustable overload relay per motor, control transformer with fused primary and secondary to meet NEC requirements, Hand-Off-Auto selector switch and terminal strip for power wiring and remote door switch.

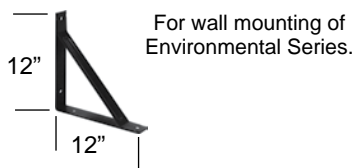
### MODEL BREAKDOWN

Use this example for ordering the proper control panel necessary for air curtain unit.



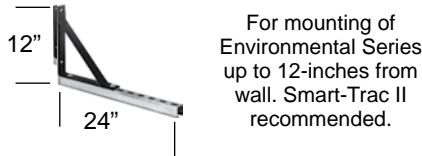
MODEL	STYLE	SHIP WT. (LBS.)
APCP101	1	20
APCP201	2	20
APCP301	3	20
APCP401	4	20

### Light Duty Brackets



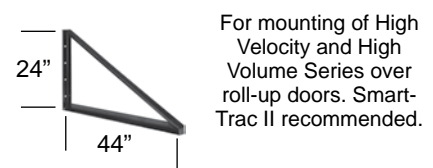
MODEL	SET OF	SHIP WT. (LBS.)
ACWBL	2	10

### Medium Duty Brackets



MODEL	SET OF	SHIP WT. (LBS.)
ACWBM2	2	52
ACWBM3	3	78

### Medium Duty Brackets



MODEL	SET OF	SHIP WT. (LBS.)
HVWB2	2	72
HVWB3	3	98

## SMART TRAC II Adjustable Mounting System



- For use with suspension rod or wall mount applications.
- This unique mounting system is now available for Environmental and High Velocity Series air curtains.

MODEL	SIZE	SHIP WT. (LBS.)
ACSMTRK72	72"	50
ACSMTRK84	84"	50
ACSMTRK96	96"	60
ACSMTRK108	108"	65
ACSMTRK120	120"	70
ACSMTRK132	132"	75
ACSMTRK144	144"	80

## Filters

- For certain applications, such as food service or sanitation, filtering the air curtains intake may be desirable.
  - Washable aluminum mesh filters for Low-Profile and Environmental Series air curtains.
- S= Mounts on interior behind grille.  
L= Exterior in place of grille.

MODEL	SIZE	SHIP WT. (LBS.)
24" DRIVE-THRU		
APF2400S	24"	1
APF2400L	24"	1
LOW PROFILE		
CLPF3600L	36"	1
CLPF4800L	48"	1
CLPF6000L	60"	1
ENVIRONMENTAL		
APF3600S	36"	2
APF3800S	38"	2
APF4200S	42"	2
APF4800S	48"	3
APF6000S	60"	4
APF3600L	36"	2
APF3800L	38"	2
APF4200L	42"	2
APF4800L	48"	3
APF6000L	60"	4

## Grilles

- Optional anodized aluminum architectural grille for Environmental and Low-Profile Series air curtains.

## Environmental

MODEL	SIZE	SHIP WT. (LBS.)
API036A	36"	5
API048A	48"	6
API060A	60"	7

## Tamper Resistant Kit

- For use in schools, hospitals, correctional facilities or other locations prone to vandalism.
- Prevents unauthorized access to air curtain.
- Complete tool and hardware package provided.

MODEL	SIZE	SHIP WT. (LBS.)
ACTRK	36"	2

