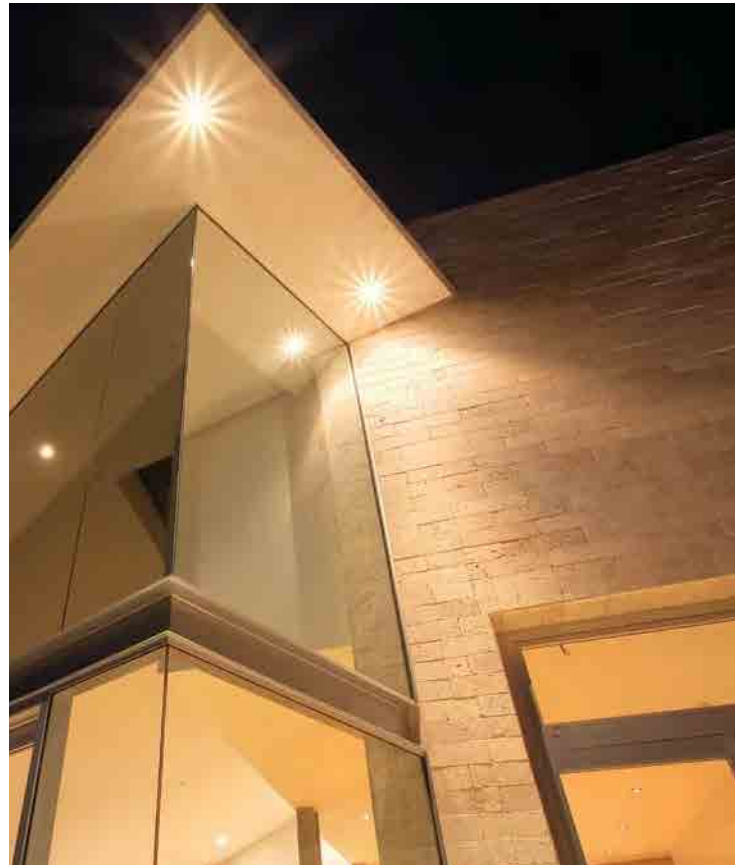


Smart Products. Ingenious Solutions.

Wiring Devices, Energy Management
Solutions and Commercial Data
Infrastructure Products

L-200





Switches

INDEX

Industrial Grade

Safety Disconnect	614
Mechanical Interlock	619
Manual Motor Starting	622
Toggle & Locking	626

Commercial Grade

Decora®	635
Toggle	641

Residential Grade

Decora®	646
Toggle	650
Appliance	653

Industrial Grade

PowerSwitch® Safety Disconnect Switches – SDS

PowerSwitch SDS devices meet NEC Article 430 for separate disconnect in-sight of motor loads and OSHA Title 29 CFR 1910 and 1926 for lockout, tagout protection. The complete PowerSwitch SDS package is non-metallic, watertight and is engineered to enhance safety and performance for critical power control installations.

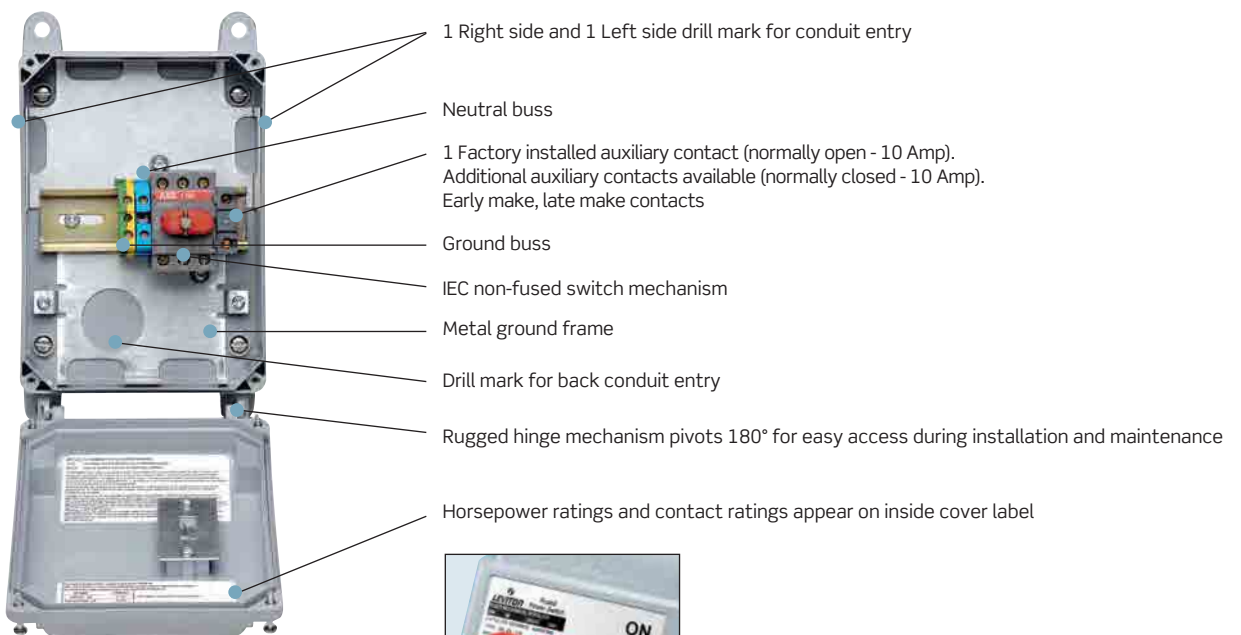
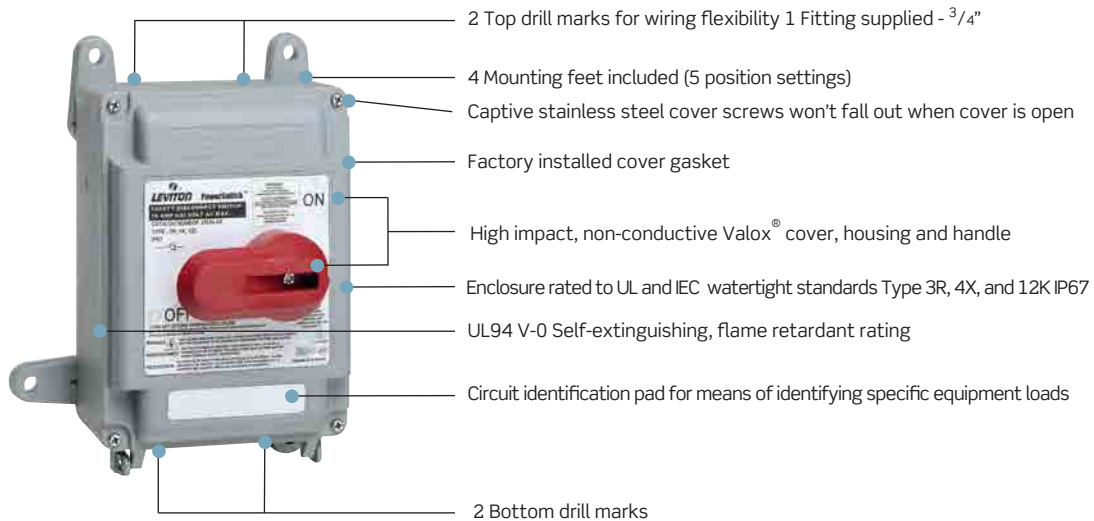


Specifications and Features

- 30 Amp Non-Fused & Fused
- 60 Amp Non-Fused & Fused
- 100 Amp Non-Fused
- Fused models accept “Class-J” Time-Delay Fuses
- Engineered to UL & IEC Watertight Standards
- Backed by a Two-Year Limited Warranty

PowerSwitch®

POWERSWITCH® DS30-AX



Handle with padlock installed

TESTING AND CODE COMPLIANCE

- 30 Amp, Non-Fused Safety Disconnect Switch
- Meets UL 508 Standards
- cUL per CSA Specifications C22.2 #14 Certified
- Engineered to UL & IEC Watertight Standards

Industrial Grade

POWERSWITCH® DS60-FAX

Liquid-tight conduit fitting (sold separately) can be installed for top or bottom feed

Stainless steel screws are captive and will not fall out when cover is opened

Impact UV and chemical-resistant Valox enclosure rated to UL and IEC watertight standards

- 3R, 4X & 12K
- IP67

Red "pistol grip" handle provides visual confirmation of switch's status

Integrated lockout handle meets OSHA safety regulations

Circuit identification pad for means of identifying specific equipment loads



Pre-wired grounding plates (top and bottom of enclosure) connect to metal conduit grounding system

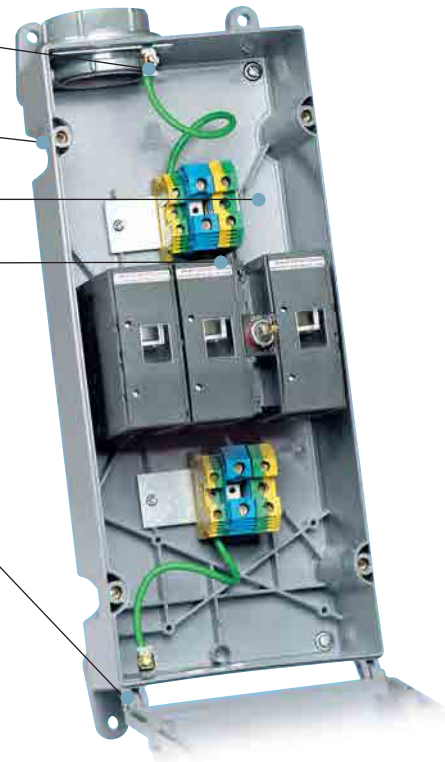
Brass threaded inserts will not strip, provide higher torque, and form tighter seal between back box and cover

Generous wiring space for top to bottom wiring

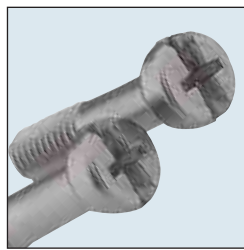
Disconnect switch with integrated fuse holder offers proven performance in a compact package

- Fused cartridges accept "Class J" fuses (not included)
- 1 Factory installed Auxiliary Contact (Normally Open - 10 Amp)
- Additional Auxiliary Contact Available (Normally Closed - 10 Amp)
- Easily accessible neutral and ground terminal blocks

Rugged hinge mechanism pivots 180° for easy access during installation and maintenance



Handle with padlock installed



Cover Screws: 1-¹/₈" deep slotted, LG stainless steel
Mounting Screws: 10-24 x ¹/₂" deep slotted, LG stainless steel

SAFETY DISCONNECT SWITCHES

Description	Amps	Max Voltage	RMS Symmetrical Amperes	Cat No.
Interrupting Ratings	30	600VAC	10,000A	DS30-AX
Non-Fused*	60	600VAC	50,000A	DS60-AX
	100	600VAC	50,000A	DS100-AX
Interrupting Ratings	30	600VAC	200,000A	DS30-FAX
Fused**	60	600VAC	200,000A	DS60-FAX

*Non-Fused are suitable for use on circuits capable of delivering not more than the RMS symmetrical amperes listed on the chart above.

**Fused, when protected by Class J fuses, 600V AC maximum, are suitable for use on circuits capable of delivering not more than the RMS symmetrical amperes listed on the chart above.

MAXIMUM HP RATINGS AS PER UL 508

Volts	Cat. No. Non-Fused			Cat. No. Fused	
	DS30-AX	DS60-AX	DS100-AX	DS30-FAX	DS60-FAX
120VAC	2	2	5	2	N/R
208VAC	5	20	25	7.5	15
240VAC	5	10	15	3	N/R
480VAC	10	20	25	15	N/R
600VAC	N/A	20	20	20	N/R
3Ø Y120/208VAC	10	20	25	7.5	15
3Ø 240VAC	10	20	30	7.5	15
3Ø 480VAC	20	40	50	15	30
3Ø 600VAC	25	40	50	20	30

N/R = Not Rated N/A = Not Available

TESTING AND CODE COMPLIANCE

- Fused (Including 100A Non-Fused -DS100-AX) - UL 98 (File #E63969)
- Non-Fused - UL 508 (File #E63969)
- CSA Certified C22.2 No. 14
- IEC 947-3
- Engineered to UL & IEC Watertight Standards

MATERIAL CHARACTERISTICS

- Environmental: Flammability, Rated V2 or better per UL 94 or CSA 22.2 No 0.6; V-0 for watertight enclosure
- Rain (3R) per UL 50: Water spray @ 5 psi from all sides for 1 hr
- Hosedown (4X) per UL 50: Water spray @ 65 gal/min for 5 min.
- Dust (12K) per UL 50: Cement dust circulated @ 1000 ft/min. for 5 min.
- Gasket Aging: 70°C for 168 hours
- UV Resistance: Exposed plastic materials are UV stabilized
- Operating Temperature: -40°C to 60°C (-40°F to 140°F)

ELECTRICAL

- Mold Stress Relief: 70°C for 7 hours
- Knockout Test: Remains in place with 20 lb push
- Crush: 100 lb
- Impact 1.2 lb steel ball dropped from 5 ft
- Cold Impact: Same as above, after conditioning to -35°C
- Strength of Insulating Base and Support: 110% of specified tightening torque on terminal screws
- Pullout: 18 lb pull on internal wires

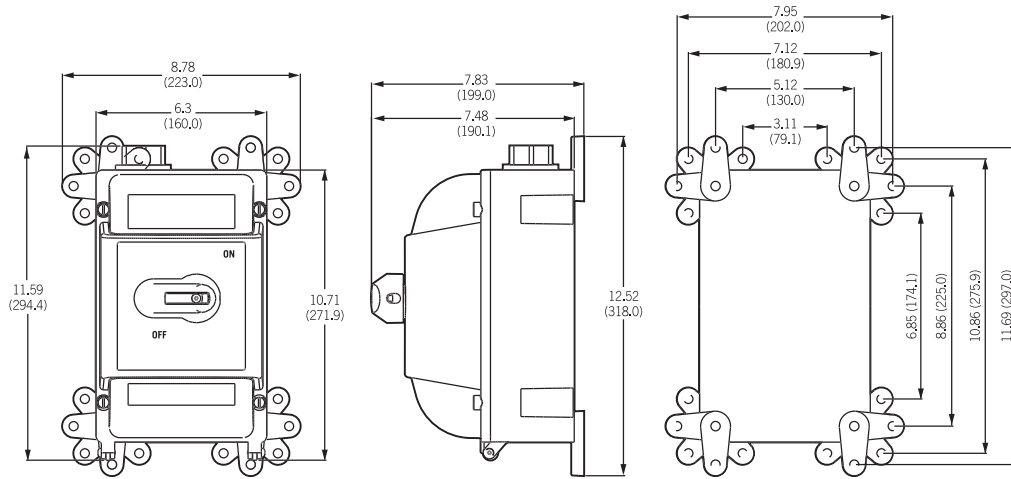
MECHANICAL — GROUND PATH INTEGRITY

- Device - 30A, Current Applied - 60A, Duration - 2 min.
- Device - 60A, Current Applied - 120A, Duration - 4 min.
- Device - 100A, Current Applied - 200A, Duration - 6 min.

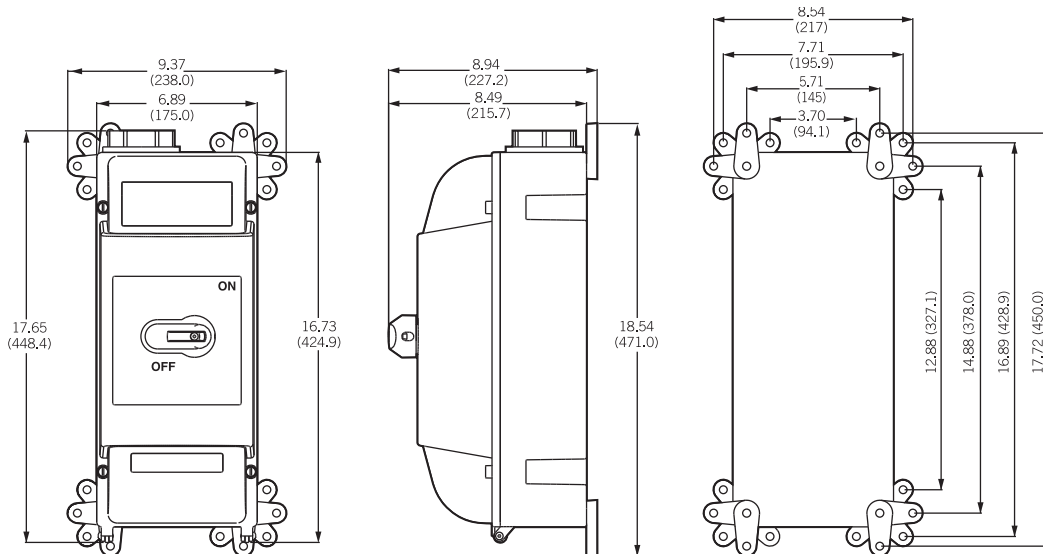
Current Interrupting: Certified for current interrupting at full-rated current and voltage. Endurance: 6000 operations at rated current and voltage (power factor 0.75 - 0.80). Dielectric: 1000V plus twice rated voltage for 1 minute.

Industrial Grade

DIMENSIONS



30 AMP FUSED & 60 AMP NON-FUSED



60 AMP FUSED & 100 AMP NON-FUSED

PowerSwitch® EDSR-23 and MIDSR-23 30Amp, 600VAC Mechanically Interlocked Disconnect Switch with Receptacle

Leviton is pleased to announce the expansion of our line of PowerSwitch mechanical interlock devices with the addition of the MIDSR-23 Mechanically Interlocked Disconnect Switch with Integrated Receptacle. Leviton's MIDSR-23 can be used with any 20A or 30A NEMA locking single receptacle. It meets the requirements for outdoor/indoor applications conforming to UL Standard 50, NEMA environmental ratings of 4X and 12K and is rated IP66 when used in conjunction with Leviton Wetguard™ plugs and receptacles. It is rated IP54 and NEMA 3R with cover closed when not in use.

Specifications and Features

- Meets the requirements of Outdoor/Indoor installations, conforming to IP 66, UL Standard 50, and NEMA Environmental Ratings of 4X, 12K, only when used in conjunction with Leviton Wetguard™ plugs
- Meets the requirements of Outdoor/Indoor installations conforming to IP 54 and NEMA 3R with standard locking NEMA plugs and receptacles with cover closed when not in use
- For use with 20A - 30A NEMA locking plugs up to 600V (sold separately)
- Provides ON-OFF switched control for a connected load
- This enclosure provides lockout capability in compliance with OSHA Lockout/Tagout Regulation 29 CFR Part 1910.147 (in the OFF position) with an acceptable padlock/shackle, thereby assuring the connected equipment cannot be energized
- Auxiliary contact open prior to the line contacts for pilot duty switching
- Backed by a Two-Year Limited Warranty
- Suitable for use on circuits capable of delivering not more than 10,000 RMS Symmetrical Amperes
- Certified to UL 231 and UL 686, UL 98 Fused, UL 508 Non-Fused, CSA C22.2 CE, IEC 309-1 and 309 2 Standards

POWERSWITCH® EDSR-23 AND MIDSR-23 ACCESSORIES (INCLUDED)

A. 1-green wire and ground bracket

B. 5 pieces of wire accommodating all receptacle to switch connections (1-white, 1-green, 3-black)

C. Wetguard® seal package for use with corrosion resistant receptacles and Wetguard plugs

D. Mounting feet



Industrial Grade

POWERSWITCH® MIDSR-23

Drill points and ample space provided for bottom or top conduit entry (conduit hub not included)

Captive stainless steel screws won't fall out when cover is open

Place receptacle amperage and voltage label here

Impact resistant, non-conductive Valox® thermoplastic housing and handle
Housing material has UL94 V-0 self-extinguishing flammability rating

Interlock mechanism (patent # 6956176) prevents receptacle from being energized when handle is down; constrains plug when up



Ground buss

Neutral buss

DIN rail mounted, IEC non-fused 30A switch mechanism

One factory installed auxiliary contact (normally open - 10Amp)

Additional auxiliary contacts available (normally closed - 10Amp)

Early make, late break contacts

Accepts 20A or 30A, up to 600V, Leviton V-0-MAX™ or any competitive NEMA locking flush receptacle (sold separately)

Bottom-hinged mechanism pivots 180 deg. for easy access during installation and maintenance

Factory installed cover gasket



EDSR-23

SAFETY DISCONNECT SWITCHES

Description	Amps	Max Voltage	RMS Symmetrical Amperes	Cat No.
Interrupting Ratings	30	600VAC	10,000A	EDSR-23
Non-Fused*	30	600VAC	10,000A	MIDSR-23

*Non-Fused are suitable for use on circuits capable of delivering not more than the RMS symmetrical amperes listed on the chart above.

PowerSwitch®

MAXIMUM HP RATINGS AS PER UL 508

Volts	Cat. No. Non-Fused	
	EDSR-23	MIDSR-23
120VAC	2	2
208VAC	5	5
240VAC	5	5
480VAC	10	10
600VAC	N/A	N/A
3Ø Y120/208VAC	10	10
3Ø 240VAC	10	10
3Ø 480VAC	20	20
3Ø 600VAC	25	25

N/A = Not Available



Related Products

For additional North American watertight mechanical interlocks in Pin & Sleeve Devices section. See page 438 for more information.

TESTING AND CODE COMPLIANCE

- Non-Fused - UL 98 (File #E63969)
- Non-Fused - UL 508 (File #E63969)
- CSA Certified C22.2 No. 14
- IEC 947-3
- Engineered to UL & IEC Watertight Standards

MATERIAL CHARACTERISTICS

- Environmental: Flammability, Rated V2 or better per UL 94 or CSA 22.2 No 0.6; V-0 for watertight enclosure
- Rain (3R) per UL 50: Water spray @ 5 psi from all sides for 1 hr
- Hosedown (4X) per UL 50: Water spray @ 65 gal/min for 5 min.
- Dust (12K) per UL 50: Cement dust circulated @ 1000 ft/min. for 5 min.
- Gasket Aging: 70°C for 168 hours
- UV Resistance: Exposed plastic materials are UV stabilized
- Operating Temperature: -40°C to 60°C (-40°F to 140°F)

ELECTRICAL

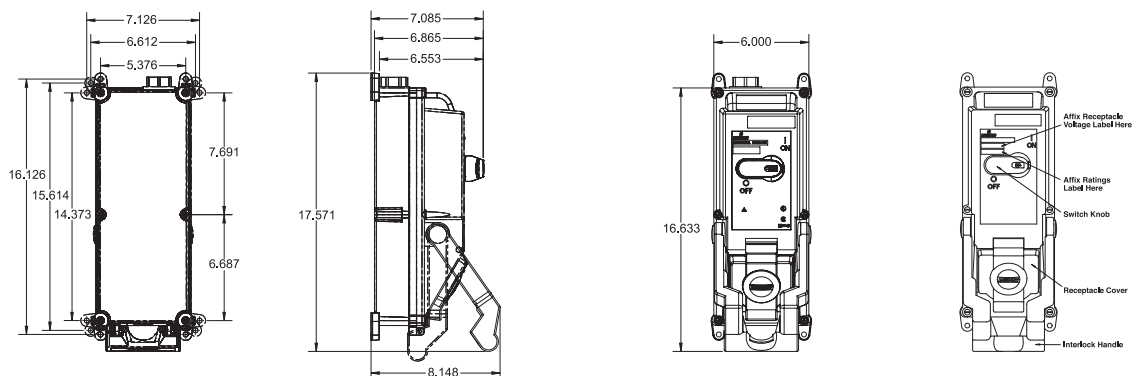
- Mold Stress Relief: 70°C for 7 hours
- Knockout Test: Remains in place with 20 lb push
- Crush: 100 lb
- Impact 1.2 lb steel ball dropped from 5 ft
- Cold Impact: Same as above, after conditioning to -35°C
- Strength of Insulating Base and Support: 110% of specified tightening torque on terminal screws
- Pullout: 18 lb pull on internal wires

MECHANICAL — GROUND PATH INTEGRITY

- Device - 30A, Current Applied - 60A, Duration - 2 min.

Current Interrupting: Certified for current interrupting at full-rated current and voltage. Endurance: 6000 operations at rated current and voltage (power factor 0.75 - 0.80). Dielectric: 1000V plus twice rated voltage for 1 minute.

DIMENSIONS



MIDSR-23

Industrial Grade

MS403-DS

Suitable as Motor Disconnect

All 30 and 40A motor starters are listed suitable as motor disconnect when protected by a 30A time-delay fuse.

Oversized PBT toggle is easy to turn ON/OFF with gloved hand and capable of withstanding extreme impact, harsh chemical attack, and prolonged ultraviolet exposure

Mounting yoke is permanently marked with catalog number, amperage, voltage and horsepower ratings for easy identification

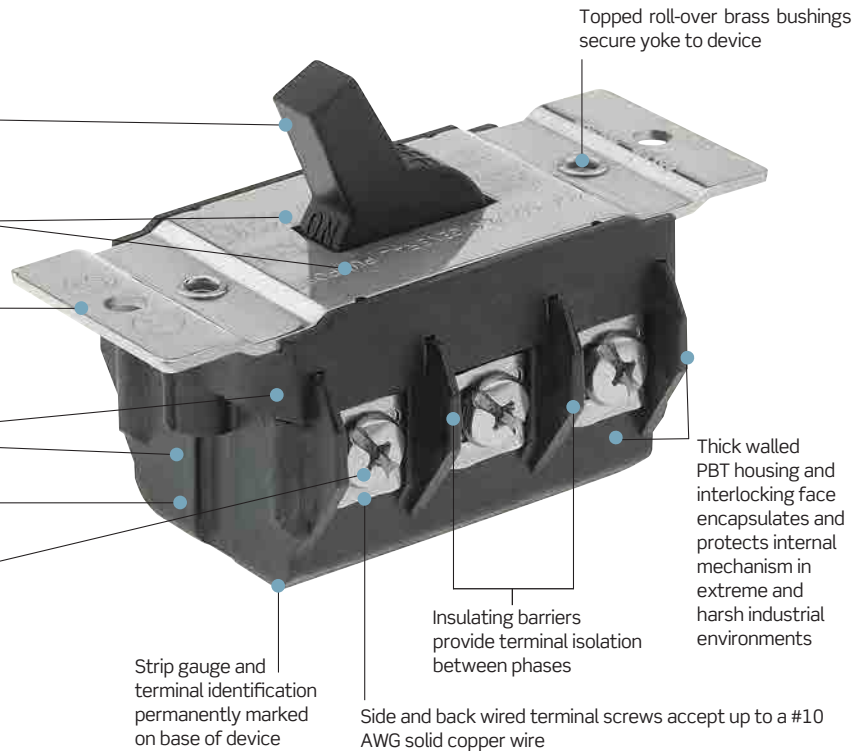
Robust, full-face, nickel-plated, brass mounting yoke offers exceptional strength and corrosion-resistance

Impact-resistant PBT face and base

Internal chamber barriers prevent flash-over between contact sets

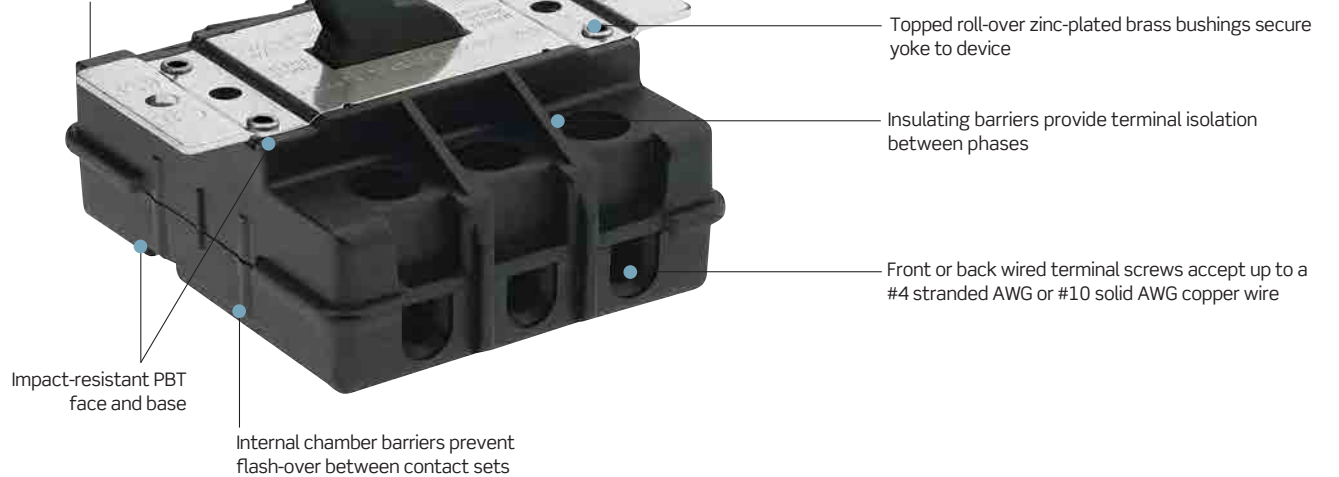
#10 triple-combination nickel-plated terminal screws resist loosening from vibration and facilitates tightening to proper torque ranges

Multiple termination design accepts back and side wiring, terminal clamps, or ring terminals



MS602-FW

Thick walled PBT housing and interlocking face encapsulates and protects internal mechanism in extreme and harsh industrial environments



TESTING AND CODE COMPLIANCE (30A, 40A, 60A)

- UL 508 Listed cUL per CSA Specification C22.2 No. 14 Certified
- Rated V-0 per UL94
- 30A and 40A are listed suitable as motor disconnect

AC Manual Motor Starting Switches

Specifications and Features

Motor Starting Switches

- All molded parts are thermoplastic to resist impacts, chemicals, temperature, tracking and arcing
- 30 Amp and 40 Amp switches are listed suitable as motor disconnect when protected by a 30 Amp time-delay fuse
- Positive-contact design enhances fast-make/slow-break
- Silver-alloy contacts for maximum conductivity and service life
- Back and side wire terminals accept up to #10 AWG solid copper wire. For stranded #8 AWG wire, remove terminal clamp and use ring terminal (sold separately)
- Oversized #10 triple-combination terminal screws are vibration resistant
- Insulating barrier between terminals provide isolation from each phase
- Nickel-plated brass mounting yoke for superior corrosion resistance
- Large toggle provides positive actuation, even with gloved hand
- Backed by a Limited Ten-Year Warranty

Welding Starting Switch

- Capable of accommodating bus bar termination in multi-gang applications
- Hole for mounting hardware supports panel mounting with self-threading fasteners or pop rivets
- Terminal screws accept up to # 10 AWG solid copper wire. For stranded # 8 AWG wire, remove terminal clamp and use ring terminal (sold separately)
- Fast-threading, corrosion-resistant brass triple combination screws for fast, easy installation
- Backed by a Limited Ten-Year Warranty

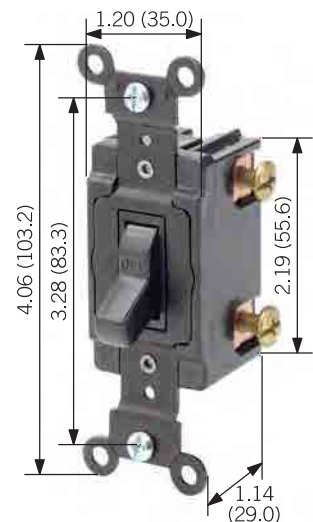


MS302-DS

NOTE: MS302-DSS Toggle Length, .64 (16.3 mm)



N1303-DS



WS402

Industrial Grade

BACK AND SIDE WIRED/FRONT WIRED - MOTOR STARTING U S

Description	Color	Cat No.				
Rating		30A - 600VAC				
		Max HP Rating	Switch In Steel Type 1 Encl.	Switch In Steel Type 3R Encl.	Switch In Type 4X Encl.*	Switch Only
Double-pole, single-throw without overload protection Disconnect Rated	Black	2HP 120VAC 5HP 240VAC 10HP 480VAC 15HP 600VAC	N1302-DS	N3302-DS	MS4X-302	MS302-DS
Disconnect marked Enclosure ONLY	Black		N13NC-DS	N33NC-DS	—	—
Double-pole - Short Toggle Version Disconnect Rated	Black	2HP 120VAC 5HP 240VAC 10HP 480VAC 15HP 600VAC	—	—	—	MS302-DSS
Three-pole, single-throw without overload protection Disconnect Rated	Black	3HP 120VAC 7.5HP 240VAC 15HP 480VAC 20HP 600VAC	N1303-DS	N3303-DS	MS4X-303	MS303-DS
Disconnect marked Enclosure ONLY	Black Thermoplastic		N1303-TDS**	—	—	—
Three-pole - Short Toggle Version Disconnect Rated	Black	3HP 120VAC 7.5HP 240VAC 15HP 480VAC 20HP 600VAC	—	—	—	MS303-DSS
Rating		40A - 600VAC				
Double-pole, single-throw without overload protection Disconnect Rated	Black	2HP 120VAC 5HP 240VAC 10HP 480VAC 15HP 600VAC	—	—	MS4X-402	MS402-DS
Three-pole, single-throw without overload protection Disconnect Rated	Black	3HP 120VAC 7.5HP 240VAC 15HP 480VAC 20HP 600VAC	—	—	MS4X-403	MS403-DS
Rating		60A - 600VAC				
Double-pole, single-throw without overload protection Back Wired	Black	10HP 240VAC 15HP 480VAC 20HP 600VAC	—	—	—	MS602-BW
Double-pole - Front Wired	Black	10HP 240VAC 15HP 480VAC 20HP 600VAC	—	N3602	—	MS602-FW
Three-pole, single-throw without overload protection Back Wired	Black	10HP 240VAC 25HP 480VAC 30HP 600VAC	—	—	—	MS603-BW
Three-pole - Front Wired	Black	10HP 240VAC 25HP 480VAC 30HP 600VAC	—	—	N3603	MS603-FW
Enclosure ONLY	Black		—	—	N36NC	—

* 4X Enclosures are high impact Valox™ in watertight enclosure rated rated 4X, 3R, 12K and IP67.

** Enclosure has black thermoplastic cover with steel box.

SIDE WIRED - WELDER SWITCH

Description	Color	Cat No.	
Rating		40A - 600VAC	
		Max HP Rating	Switch Only
Double-pole, single-throw	Black	5HP 250VAC	WS402*

* UL recognized component for OEM use. Terminal screws packaged separately.

TESTING AND CODE COMPLIANCE

- Meets all NEMA WD 1 & 6, and ANSI requirements
- Meets Federal Specification WS-896
- UL Listed (File #E-7458)
- CSA Certified (File #152105)
- NOM Certified (#057)
- WS402 UL Recognized component (File# E63968)

MATERIAL CHARACTERISTICS

- Environmental: Flammability, Rated V2
- Operating Temperature: -40°C to 65°C

ELECTRICAL

- Dielectric Voltage: Withstands 2200V for 1 min.
- Overload UL 528 Test: 50 cycles of overload at 6 times rated current
- Temp. Rise: 50° C max at full rated current
- Tungsten filament lamp load (Fed. Spec.) WS896E, SP, DP, 3-Way
- Endurance: UL 508 Test: 6000 cycles inductive motor type load. Dual rated. General and manual motor control

MECHANICAL

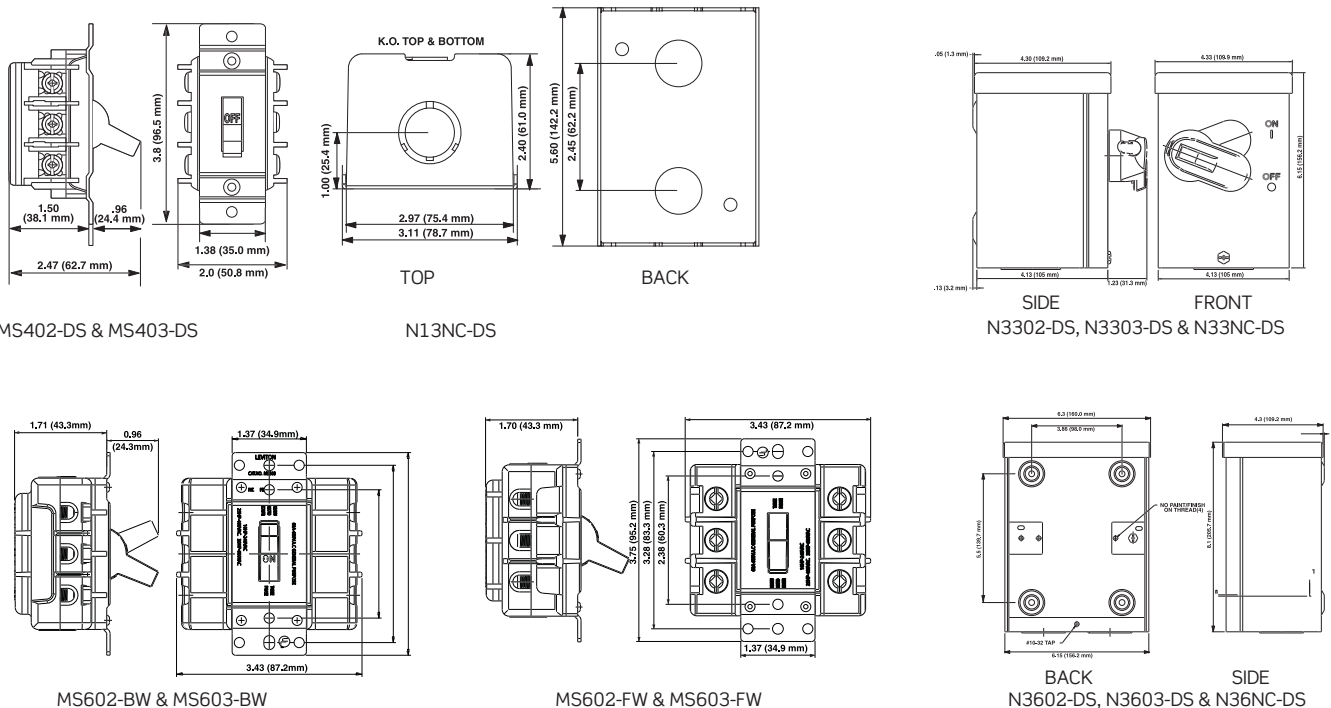
- Terminal I.D.: T1, T2, T3, L1, L2 and L3 marked on back of device
- Terminal Accomm.: #10-#4 AWG back wired; #14-#12 AWG side wired
- Product I.D.: Ratings are permanently stamped on device strap
- Torque Range: 25 inch pounds



Related Products

For complementing wallplates See page 715 for more information.

DIMENSIONS



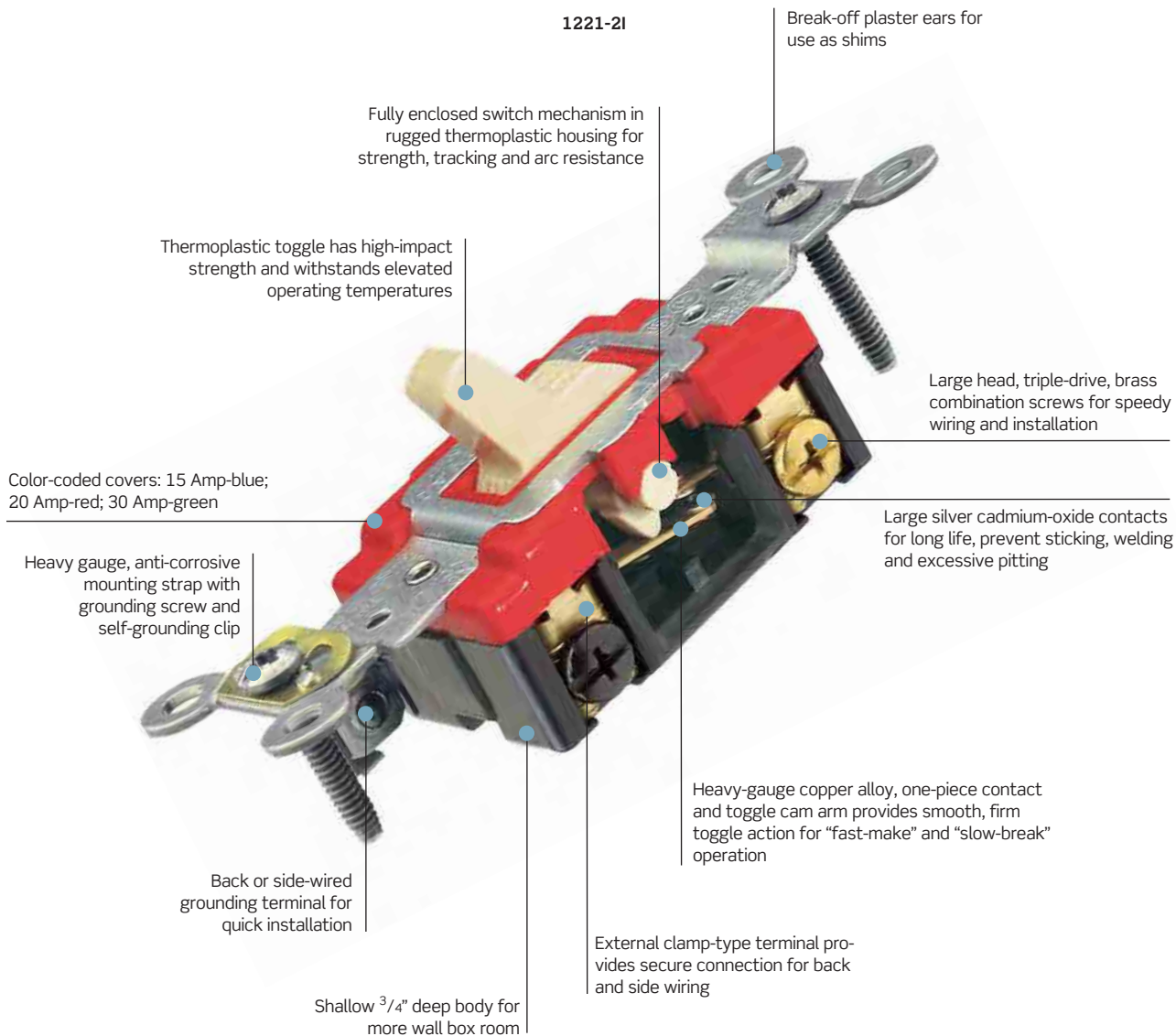
Industrial Grade

Extra Heavy-Duty Specification Grade Toggle and Locking Switches

Leviton's Industrial Grade AC toggle switches for extra heavy-duty applications represent top-of-the-line quality and peak performance. Leviton uses the finest materials available and the highest production standards to produce industrial switches of unmatched versatility and reliability.

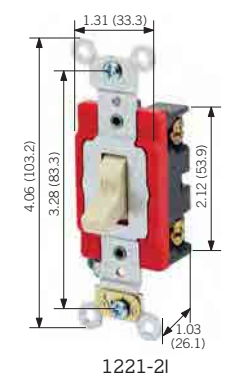
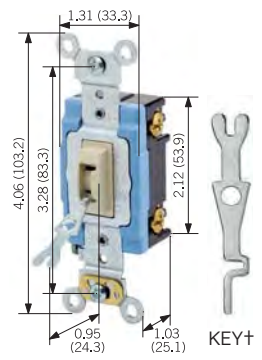
Specifications and Features

- Top-of-the-line industrial quality
- Heavy gauge copper alloy one-piece arm for top performance
- Large silver cadmium-oxide contacts for long life, prevent sticking, welding and excessive pitting
- Color-coded covers: 15 Amp-Blue; 20 Amp-Red; 30 Amp-Green
- Fully enclosed switch mechanism in rugged housing for strength, tracking and arc resistance
- Brass combination-head terminal screws on Extra Heavy-Duty devices, steel combination head terminal screws on other devices
- Self-grounding clip (self-grounding when used with a grounded metal wallbox)
- Wire lead switches for fast and easy installation
- Backed by a Limited Ten-Year Warranty



BACK AND SIDE WIRED/WIRE LEAD U S

Description	Color	Cat No.		
		120/277VAC		
Rating		15A	20A	30A
Single Pole	White	1201-2W	1221-2W	3031-2W
	Ivory	1201-2I	1221-2I	3031-2I
	Light Almond	—	1221-2T	—
	Grey	1201-2GY	1221-2GY	—
	Black	—	1221-2E	—
	Brown	1201-2	1221-2	3031-2
	Red	1201-2R	1221-2R	—
	Single Pole, Locking [†]	White	—	1221-2WL
Ivory		1201-2IL	1221-2IL	—
Grey		—	1221-2GL	—
Black		—	1221-2EL	—
Brown		1201-2L	1221-2L	3031-2L
Red		—	1221-2RL	—
Single Pole, with 6" Wire Leads	White	1241-W	1243-W	
	Ivory	1241-I	1243-I	
Double Pole	White	1202-2W	1222-2W	3032-2W
	Ivory	1202-2I	1222-2I	3032-2I
	Grey	1202-2GY	1222-2GY	—
	Black	—	1222-2E	—
	Brown	1202-2	1222-2	3032-2
	Red	—	1222-2R	—
Double Pole, Locking [†]	Ivory	—	1222-2IL	—
	Brown	1202-2L	1222-2L	3032-2L
3-Way	White	1203-2W	1223-2W	3033-2W
	Ivory	1203-2I	1223-2I	3033-2I
	Light Almond	—	1223-2T	—
	Grey	1203-2GY	1223-2GY	—
	Black	—	1223-2E	—
	Brown	1203-2	1223-2	3033-2
3-Way, Locking [†]	White	—	1223-2WL	—
	Ivory	1203-2IL	1223-2IL	—
	Grey	—	1223-2GL	—
	Brown	1203-2L	1223-2L	3033-2L
3-Way, with 6" Wire Leads	White	1242-W	1244-W	
	Ivory	1242-I	1244-I	
4-Way	White	1204-2W	1224-2W	
	Ivory	1204-2I	1224-2I	
	Light Almond	—	1224-2T	
	Grey	1204-2GY	1224-2GY	
	Black	—	1224-2E	
	Brown	1204-2	1224-2	
4-Way, Locking [†]	White	—	1224-2WL	
	Ivory	—	1224-2IL	
	Grey	—	1224-2GL	
	Brown	1204-2L	1224-2L	



[†]Key for Locking Switch: Cat. No. 55500-PRT.
NOTE: Cat. Nos. 1201, 1221 feature external clamp-type wiring termination for back and side wiring.

Continued On Next Page >

Industrial Grade

Continued From Previous Page >

Description	Color	Cat No.		
		120/277VAC		
		15A	20A	30A
Heavy-Duty Single Pole	White	1221-SW	—	—
	Ivory	1221-SI	—	—
	Light Almond	1221-ST	—	—
	Grey	1221-SGY	—	—
	Brown	1221-S	—	—
	Red	1221-SR	—	—
Heavy-Duty Double Pole	White	1222-SW	—	—
	Ivory	1222-SI	—	—
	Grey	1222-SGY	—	—
	Brown	1222-S	—	—
Heavy-Duty 3-Way	White	1223-SW	—	—
	Ivory	1223-SI	—	—
	Light Almond	1223-ST	—	—
	Grey	1223-SGY	—	—
	Brown	1223-S	—	—
	Red	1223-SR	—	—
Heavy-Duty 4-Way	White	1224-SW	—	—
	Ivory	1224-SI	—	—
	Grey	1224-SGY	—	—
	Brown	1224-S	—	—

†Key for Locking Switch: Cat. No. 55500-PRT.

NOTE: Cat. Nos. 1201, 1221 feature external clamp-type wiring termination for back and side wiring.

BACK AND SIDE WIRED - CANADIAN S

Description	Color	Cat No.		
		347VAC		
		15A	20A	30A
Single Pole	White	18201-W	18221-W	—
	Ivory	18201-I	18221-I	—
	Grey	18201-G	18221-G	—
	Brown	18201-B	18221-B	—
	Red	18201-R	18221-R	—
Single Pole, Locking [†]	Brown	18201-LB	18821-LB	—
Double Pole	Ivory	18202-I	18222-I	—
	Brown	18202-B	18222-B	—
Double Pole, Locking [†]	Brown	18202-LB	18222-LB	—
3-Way	White	18203-W	18223-W	—
	Ivory	18203-I	18223-I	—
	Grey	18203-G	18223-G	—
	Brown	18203-B	18223-B	—
	Red	18203-R	18223-R	—
3-Way, Locking [†]	Brown	18203-LB	18223-LB	—
4-Way	Ivory	18204-I	18224-I	—
	Grey	18204-G	—	—
	Brown	18204-B	18224-B	—
	Red	18204-R	—	—

†Key for Locking Switch: Cat. No. 55500-PRT.

NOTE: Cat. Nos. 18201, 18221, 1203, 1223, 18203 and 18223 feature external clamp-type wiring termination for back and side wiring.

TESTING AND CODE COMPLIANCE

- Meets all NEMA WD 1 & 6, and ANSI requirements
- Meets Federal Specification WS-896
- UL Listed (File #E-7458)
- CSA Certified (File #152105)
- NOM Certified (#057)

MATERIAL CHARACTERISTICS

- Environmental: Flammability, Rated V2
- Operating Temperature: -40°C to 65°C

ELECTRICAL

- Dielectric Voltage: Withstands 1500V for 1 min.
- Overload UL 20 Test: 100 cycles of overload at 4.8 times rated current
- Temp. Rise: 30° C max at full rated current
- Endurance: UL 20/Fed Spec 50,000 cycles min., tungsten filament lamp load (Fed.Spec.) WS896E, SP, DP, 3-Way, 4-Way, Pilot Light, Illum., Key Lock

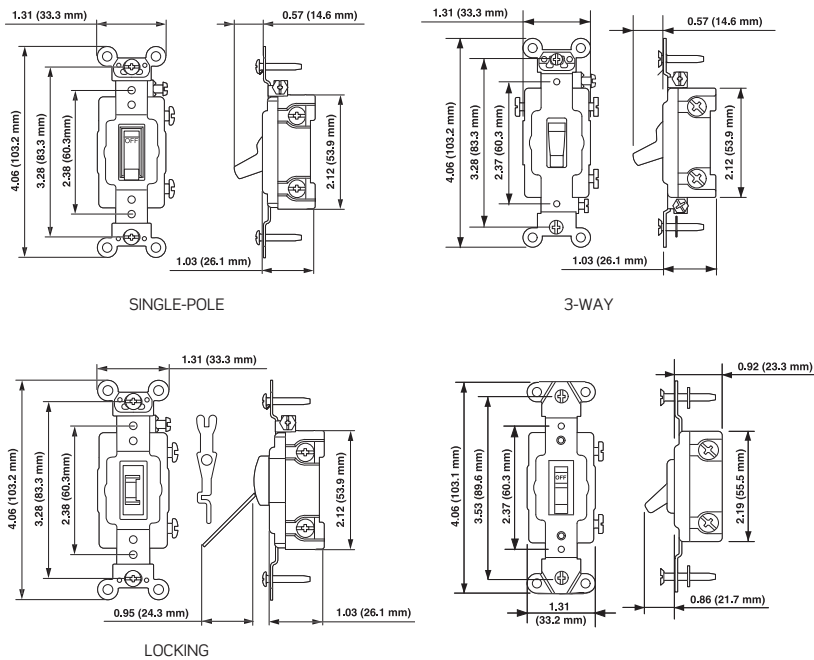
MECHANICAL

- Terminal I.D.: Brass-Hot, Black-Hot, White-Neutral, Green-Grounding
- Terminal Accomm.: #14-#10 AWG back wired; #14-#12 AWG side wired
- Product I.D.: Ratings are permanently stamped on device strap
- Torque Range: 12-14 inch pounds

HORSEPOWER

- 15A — 1/2 @ 120V, 2 @ 240V 12 AMP Max
- 20A — 1 @ 120V, 2 @ 240V 16 AMP Max
- 30A — 2 @ 120V, 2 @ 240V 24 AMP Max

DIMENSIONS

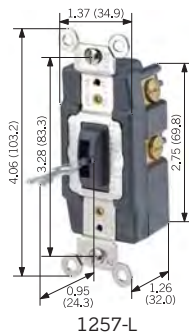
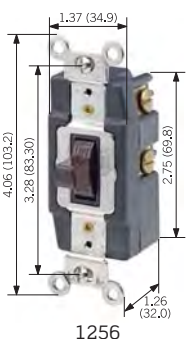
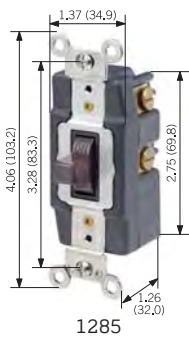
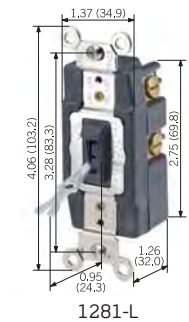


Industrial Grade

Maintained and Momentary Contact Extra Heavy-Duty Specification Grade Toggle Switches

Specifications and Features

- Positive switching action with center-off position
- Large silver cadmium-oxide contacts for long life, prevent sticking, welding and excessive pitting
- Clamp-type terminals accept up to #10 CU wire
- Full rated current capacity on fluorescent, tungsten and resistive loads; motor load capacity up to 80% switch current rating
- Backed by a Limited Ten-Year Warranty



BACK AND SIDE WIRED - MAINTAINED CONTACT U S

Description	Color	Cat No.		
		120/277VAC		
Rating		15A	20A	30A
Single Pole, Double Throw, Center Off	White	1281-W	1285-W	—
	Ivory	1281-I	1285-I	1287-I
	Grey	—	1285-GY	—
	Brown	1281	1285	1287
	Red	—	1285-R	—
Single Pole, Double Throw, Locking†	Black	1281-L	1285-L	1287-L
Single Pole, Double Throw, Center Off	White	1282-W	1286-W	1288-W
	Ivory	1282-I	1286-I	1288-I
	Brown	1282	1286	1288
Double Pole, Double Throw, Locking†	Ivory	—	—	1288-LI
	Black	—	—	1288-L

†Key for Locking Switch: Cat. No. 55500-PRT.

BACK AND SIDE WIRED - MOMENTARY CONTACT U S

Description	Color	Cat No.		
		120/277VAC		
Rating		15A	20A	30A
Single Pole, Double Throw, Center Off	White	1256-W	—	—
	Ivory	1256-I	1257-I	—
	Grey	1256-GY	—	—
	Brown	1256	1257	1260*
	Red	—	1257-R	—
Single Pole, Double Throw, Center Off, Locking†	Ivory	—	1257-LI	—
Single Pole, Double Throw, Center Off	Brown	—	1257-L	—
	Brown	—	—	1262*

†Key for Locking Switch: Cat. No. 55500-PRT.
CSA Certified except where indicated by*.

TESTING AND CODE COMPLIANCE

- Meets all NEMA WD 1 & 6, and ANSI requirements
- Meets Federal Specification WS-896
- UL Listed (File #E-7458)
- CSA Certified (File #152105)
- NOM Certified (#057)

MATERIAL CHARACTERISTICS

- Environmental: Flammability, Rated V2
- Operating Temperature: -40°C to 65°C

ELECTRICAL

- Dielectric Voltage: Withstands 1500V for 1 min.
- Overload UL 20 Test: 100 cycles of overload at 4.8 times rated current
- Temp. Rise: 30° C max at full rated current
- Endurance: UL 20/Fed Spec 50,000 cycles min., tungsten filament lamp load (Fed.Spec.) WS896E, SP, DP, 3-Way, 4-Way, Pilot Light, Illum., Key Lock

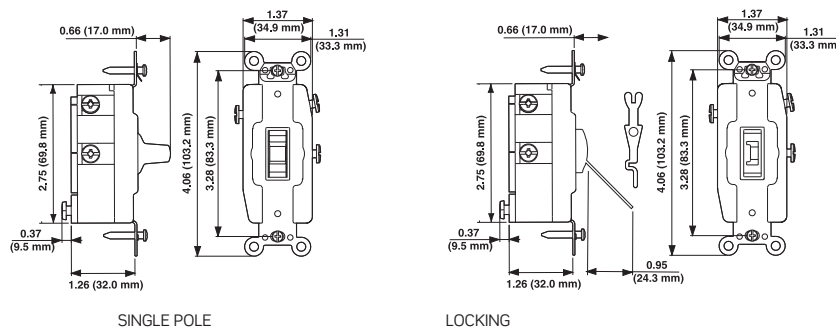
MECHANICAL

- Terminal I.D.: Brass-Hot, Black-Hot, White Neutral, Green Grounding
- Terminal Accom.: #14-#10 AWG back wired; #14-#12 AWG side wired
- Product I.D.: Ratings are permanently stamped on device strap
- Torque Range: 12-14 inch pounds

HORSEPOWER

- 15A — 1/2 @ 120V, 2 @ 240V 12 AMP Max
- 20A — 1 @ 120V, 2 @ 240V 16 AMP Max
- 30A — 2 @ 120V, 2 @ 240V 24 AMP Max

DIMENSIONS



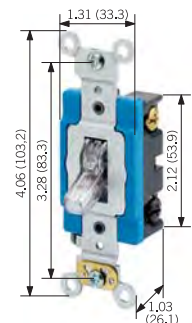
Pilot Light and Lighted Handle Extra Heavy-Duty Specification Grade Toggle Switches

Specifications and Features

- Pilot light and lighted handle switches provide top performance in punishing industrial applications
- Lighted handle illuminated when load is OFF. Pilot light toggle illuminated when load is ON
- 120 and 277V versions in single pole and 3-Way
- Fully enclosed switch mechanism in rugged housing for strength, track and arc resistance
- Self-grounding clip (self-grounding when used with a grounded metal wallbox)
- Backed by a Limited Ten-Year Warranty

BACK AND SIDE WIRED - PILOT LIGHT U S

Description	Colors	Cat No.			
Rating		15A - 120V	20A - 120V	20A - 277V	30A - 120V
Single Pole	Clear	1201-PLC	1221-PLC	1221-7PC	3031-PLC
	Red	1201-PLR	1221-PLR	1221-7PR	3031-PLR
	Green	1201-PLG	1221-PLG	-	-
Double Pole	Clear	-	1222-PLC	-	3032-PLC
	Red	1202-PLR	1222-PLR	1222-7PR	3032-PLR
	Green	-	1222-PLG	-	-
3-Way	Clear	1203-PLC	1223-PLC	-	-
	Red	1203-PLR	1223-PLR	1223-7PR	-
	Green	1203-PLG	1223-PLG	-	-

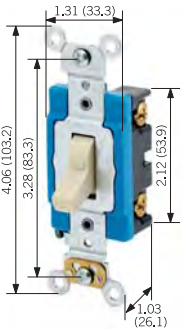


1201-PLC

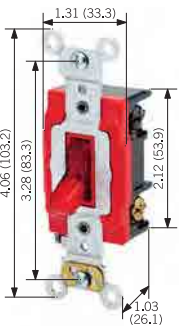
Industrial Grade

BACK AND SIDE WIRED - LIGHTED HANDLE U S

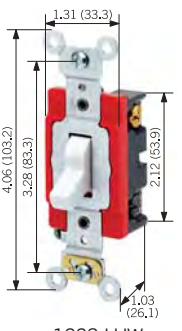
Description	Color	Cat No.			
Single Pole	Clear	1201-LHC	1221-LHC	1221-7LC	-
	White	1201-LHW	1221-LHW	1221-7LW	-
	Ivory	1201-LHI	1221-LHI	1221-7LI	3031-LHI
3-Way	Clear	1203-LHC	1223-LHC	1223-7LC	
	White	1203-LHW	1223-LHW	1223-7LW	
	Ivory	1203-LHI	1223-LHI	1223-7LI	



1201-LHI



1222-PLR



1223-LHW

TESTING AND CODE COMPLIANCE

- Meets all NEMA WD 1 & 6, and ANSI requirements
- Meets Federal Specification WS-896
- UL Listed (File #E-7458)
- CSA Certified (File #152105)
- NOM Certified (#057)

MATERIAL CHARACTERISTICS

- Environmental: Flammability, Rated V2
- Operating Temperature: -40°C to 65°C

ELECTRICAL

- Dielectric Voltage: Withstands 1500V for 1 min.
- Overload UL 20 Test: 100 cycles of overload at 4.8 times rated current
- Temp. Rise: 30° C max at full rated current
- Endurance: UL 20/Fed Spec 50,000 cycles min., tungsten filament lamp load (Fed.Spec.) WS896E, SP, DP, 3-Way, 4-Way, Pilot Light, Illum., Key Lock

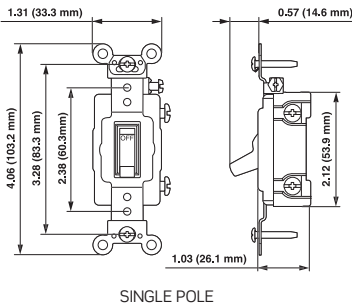
MECHANICAL

- Terminal I.D.: Brass-Hot, Black-Hot, White-Neutral, Green-Grounding
- Terminal Accom.: #14-#10 AWG back wired; #14-#12 AWG side wired
- Product I.D.: Ratings are permanently stamped on device strap
- Torque Range: 12-14 inch pounds

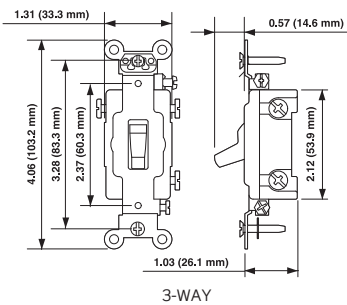
HORSEPOWER

- 15A — 1/2 @ 120V, 2 @ 240V 12 AMP Max
- 20A — 1 @ 120V, 2 @ 240V 16 AMP Max
- 30A — 2 @ 120V, 2 @ 240V 24 AMP Max

DIMENSIONS



SINGLE POLE



3-WAY

Extra Heavy-Duty Specification Grade Key Locking Switches

Specifications and Features

- Heavy-Duty key-operated locking mechanism for maximum tamper-proof operation in schools, institutions, public housing, trailer parks, loading docks, freight yards and other areas
- Chrome lock dome with 2 keys provided per switch
- Back and side wire terminals accept up to #14 - #10 AWG copper or copper clad wire
- Large, combination head terminal screws with external clamps
- Triple-combination mounting screws for fast, easy installation
- Heavy-gauge rust-resistant mounting strap with steel grounding screw and self-grounding clip (self grounding when used in a properly grounded metal wallbox)
- Key removable in ON or OFF positions
- Backed by a Limited Ten-Year Warranty

KEY LOCKING SWITCHES U S

Description	Color	Cat No.
Rating		20A - 120/277VAC
Single-Pole Key Lock Power Switch, 2 keys provided	Nickel Plated	1221-2KL
Double-Pole Key Lock Power Switch, 2 keys provided	Nickel Plated	1222-2KL
3-Way Key Lock Power Switch, 2 keys provided	Nickel Plated	1223-2KL
4-Way Key Lock Power Switch, 2 keys provided	Nickel Plated	1224-2KL
Replacement Keys, 2 per pack		2KL

Note: Key Lock Power Switches are not recommended for use on Master or Emergency Power Systems.

WALLPLATES AND WALLBOXES

Description	Cat. No.
302 Stainless Steel comes with tamper-resistant screws and spanner tool	
FD or Deep Wallbox recommended minimum internal depth	
2 ³ / ₄ " single cover/gang adapter extends shallow wallbox, use with stainless wallplate	
1-Gang	84071-40
2-Gang	84072-40
3-Gang	84073-40



Related Products

Leviton offers a complete line of wallplates. See page 707 for more information.

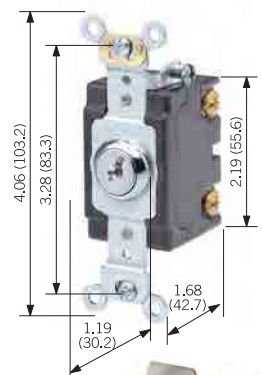
6197,
6197-I,
6197-W



FD/Deep Wallbox



84701-40



1221-2KL
w/two keys



Industrial Grade

TESTING AND CODE COMPLIANCE

- Meets all NEMA WD 1 & 6, and ANSI requirements
- Meets Federal Specification WS-896
- UL Listed (File #E-7458)
- CSA Certified (File #152105)
- NOM Certified (#057)

MATERIAL CHARACTERISTICS

- Environmental: Flammability, Rated V2
- Operating Temperature: -40°C to 65°C

HORSEPOWER

- 20A, 1 @ 120V, 2 @ 240V, 16 AMP Max

ELECTRICAL

- Dielectric Voltage: Withstands 1500V for 1 min.

- Overload UL 20 Test: 100 cycles of overload at 4.8 times rated current
- Temp. Rise: 30° C max at full rated current
- Endurance: UL 20/Fed Spec 50,000 cycles min., tungsten filament lamp load (Fed. Spec.) WS896E, SP, DP, 3-Way, 4-way, Pilot Light, Illum., Key Lock

MECHANICAL

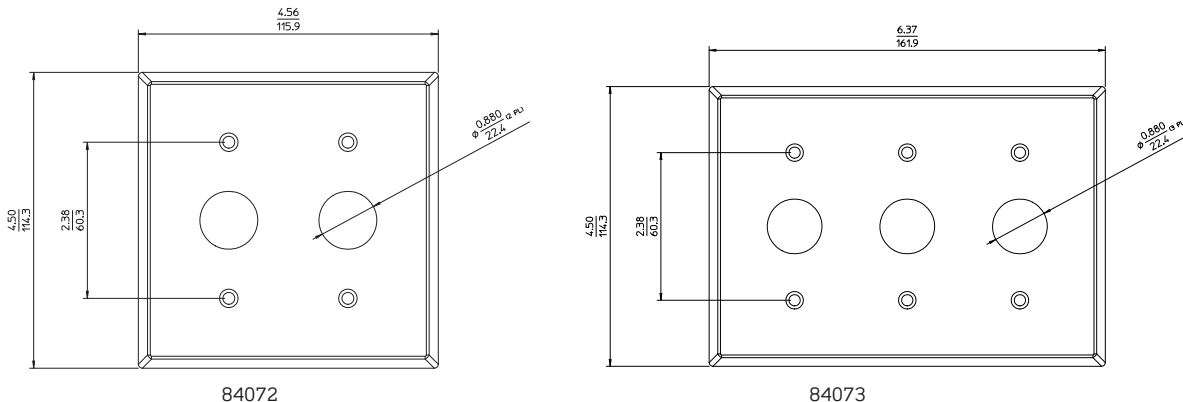
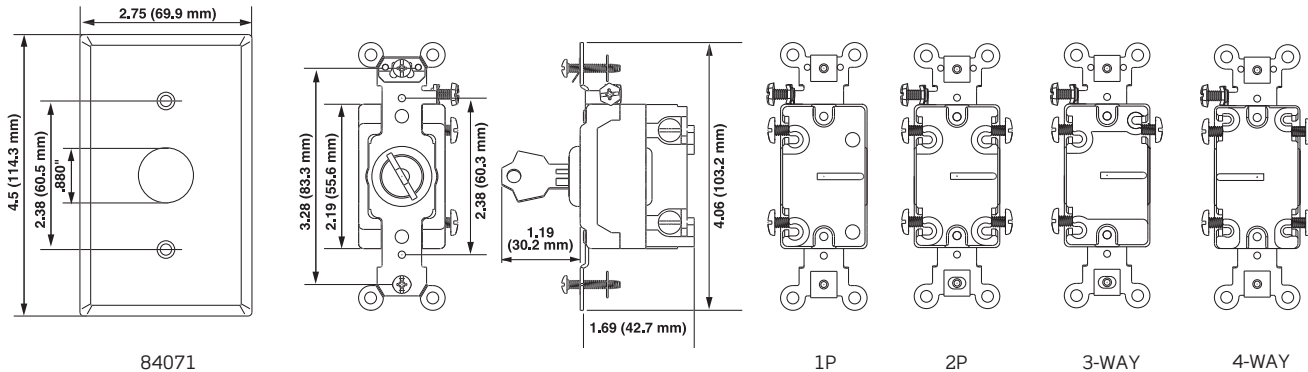
- Terminal I.D.: Brass-Hot, Black-Hot, White-Neutral, Green-Grounding
- Terminal Accom.: #14-#10 AWG back wired; #14-#12 AWG side wired
- Product I.D.: Ratings are permanently stamped on device strap
- Torque Range: 12-14 inch pound



Related Products

To review the complete Leviton Wallplates collection [see the Leviton Wallplates Section beginning on page 707.](#)

DIMENSIONS



Decora Plus™ AC Quiet Commercial Specification Grade Rocker Switches

Decora Plus devices combine designer styling with all the benefits of rugged Commercial Grade construction. The robust product offering includes: single pole, double pole, 3 and 4-way switches, momentary and maintained contact switches, as well as pilot light and illuminated switches.

Specifications and Features

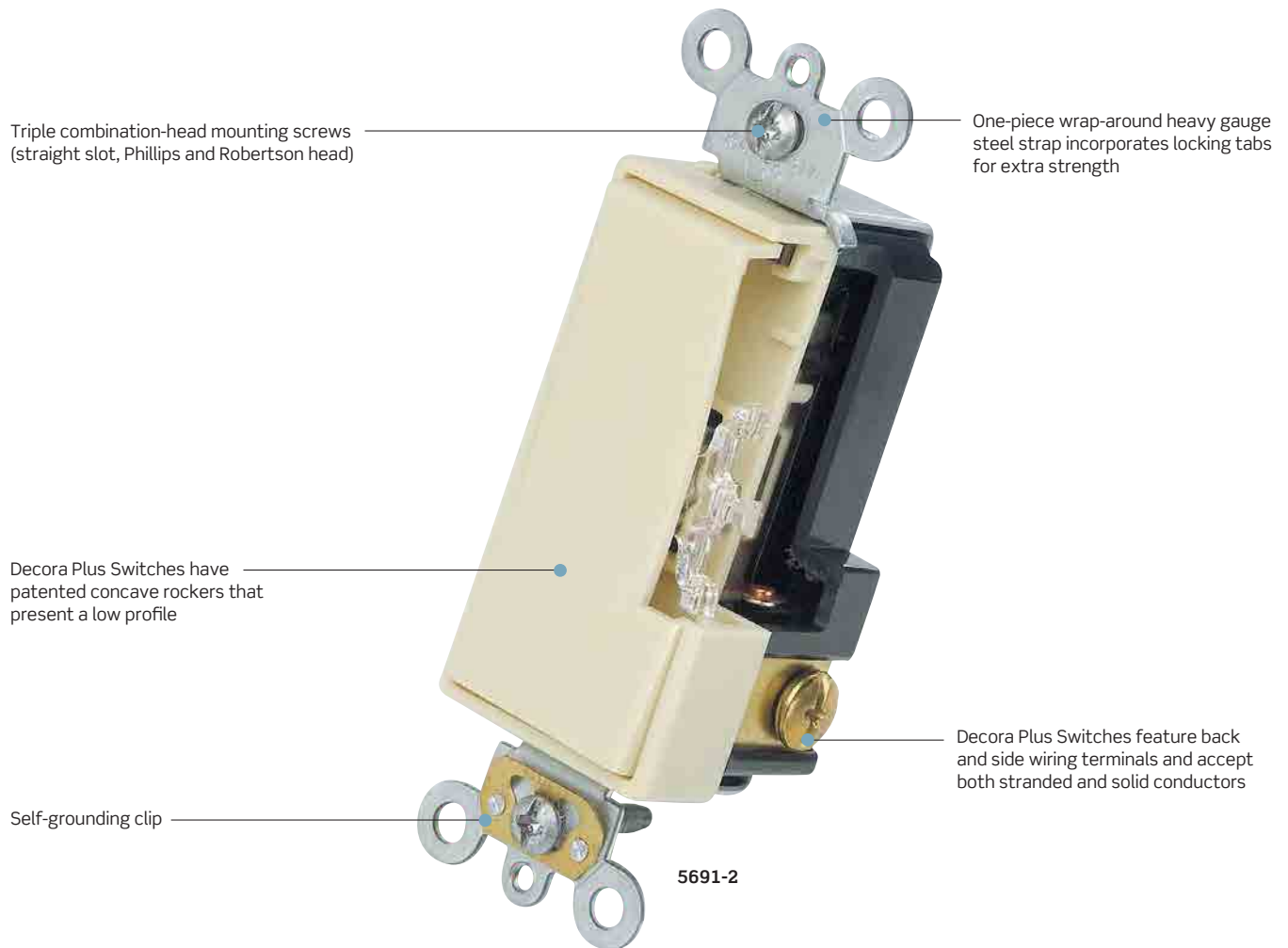
- Engineered for fine tolerances and top performance
- Decora Plus Switches feature impact resistant thermoplastic construction for long service life
- All Decora devices meet or exceed applicable UL, CSA and NOM testing standards

AC Quiet Rocker Switches

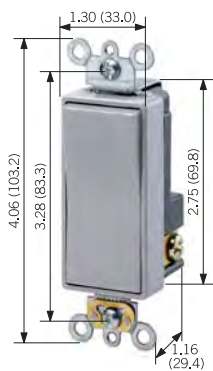
- Full rated current capacity with tungsten, fluorescent or resistive loads. Motor capacity is 80% of switch rating
- Back and side-wiring terminals accept both solid and stranded wire to ease installation
- New architecturally-styled smooth-action concave rocker
- Heavy-duty impact-resistant thermoplastic construction for long service life in commercial applications
- Two ground connection options: a green grounding screw and a self-grounding clip
- Backed by a Limited Ten-Year Warranty

Canadian Switches

- Decora Plus Canadian switches fit only those wallplates designated
- Canadian Decora wallplates available in a number of colors and fit “Commander Type” boxes



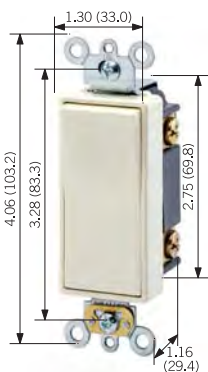
Commercial Grade



5691-2GY

BACK AND SIDE WIRED U S

Description	Color	Cat No.	
		15A	20A
Rating		120/277VAC	
Single Pole	White	5691-2W	5621-2W
	Ivory	5691-2I	5621-2I
	Light Almond	5691-2T	5621-2T
	Grey	5691-2GY	5621-2GY
	Black	5691-2E	5621-2E
	Brown	5691-2	5621-2
	Red	—	5621-2R
Double Pole	White		5622-2W
	Ivory		5622-2I
	Light Almond		5622-2T
	Grey		5622-2GY
	Black		5622-2E
3-Way	White	5693-2W	5623-2W
	Ivory	5693-2I	5623-2I
	Light Almond	5693-2T	5623-2T
	Grey	5693-2GY	5623-2GY
	Black	5693-2E	5623-2E
	Brown	5693-2	5623-2
	Red		5623-2R
4-Way	White		5624-2W
	Ivory		5624-2I
	Light Almond		5624-2T
	Grey		5624-2GY
	Brown		5624-2



5693-2A

BACK AND SIDE WIRED - CANADIAN S

Description	Color	Cat No.	
		15A	20A
Rating		347VAC	
Single Pole	White	5691-CW	5621-CW
	Ivory	5691-CI	5621-CI
	Almond	5691-CA	—
	Grey	5691-CG	5621-CG
	Black	5691-CE	—
3-Way	White	5693-CW	5623-C2W
	Ivory	5693-CI	—
	Almond	5693-CA	—
	Grey	—	5623-C2G
4-Way	Black	5693-CE	
	White	5694-CW	5624-CW

TESTING AND CODE COMPLIANCE

- UL Listed (File #E-7458)
- CSA Certified (File #LR-3413)
- NOM Certified (#057)
- Compliance with the latest Federal Specification WS-896

HORSEPOWER

- 15A - 1/2 @ 120V, 2 @ 240V
- 20A - 1 @ 120V, 2 @ 240V

MATERIAL CHARACTERISTICS

- Environmental: Flammability, UL-94 V2 Rating
- Operating Temperature: -40°C to 120°C

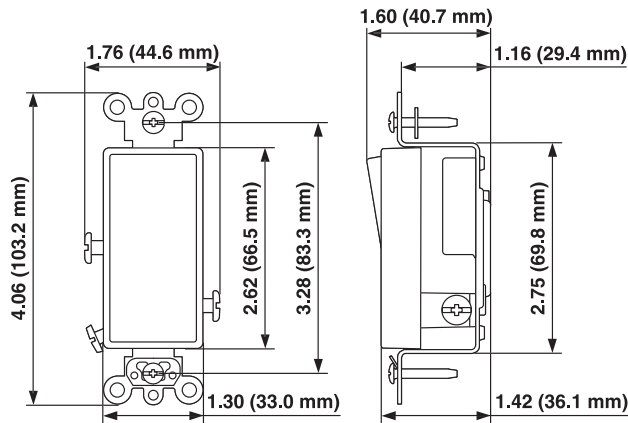
ELECTRICAL

- Dielectric Voltage: Withstands 1500V for 1 min.
- Overload UL 20 Test: 100 cycles of overload at 4.8 times rated current
- Temp. Rise: 30° C max at full rated current
- Endurance: UL 20/Fed Spec 50,000 cycles min., tungsten filament lamp load (Fed. Spec.) WS896E, SP, DP, 3-Way, 4-way, Pilot Light, Illum., Key Lock

MECHANICAL

- Terminal I.D.: Brass-Hot, Black-Hot, White-Neutral, Green-Grounding
- Terminal Accom.: #14-#10 AWG back wired; #14-#12 AWG side wired
- Product I.D.: Ratings are permanently stamped on device strap
- Torque Range: 12-14 inch pounds

DIMENSIONS

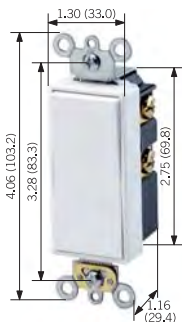


Commercial Grade

Decora Plus™ Maintained and Momentary Contact Switches

Specifications and Features

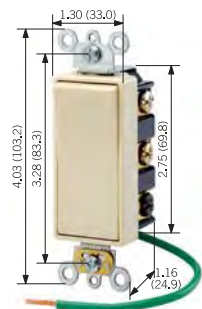
- Full rated current capacity with tungsten, fluorescent or resistive loads. Motor capacity is 80% of switch rating
- Wrap-around heavy-gauge strap with locking tabs for added strength
- Back and side-wiring terminals accept both solid and stranded wire to ease installation
- Backed by a Limited Ten-Year Warranty



5657-2W

BACK AND SIDE WIRED - MOMENTARY CONTACT U S

Description	Color	Cat No.
Rating		15A - 120/277VAC
Single Pole,	White	5657-2W
Double Throw,	Ivory	5657-2I
Center Off	Light Almond	5657-2T
	Grey	5657-2GY
	Black	5657-2E
	Brown	5657-2



5686-2I

BACK AND SIDE WIRED - MAINTAINED CONTACT U S

Description	Color	Cat No.
Rating		15A - 120/277VAC
Single Pole,	White	5685-2W
Double Throw,	Ivory	5685-2I
Center Off	Light Almond	5685-2T
	Grey	5685-2GY
	Black	5685-2E
	Brown	5685-2
Double Pole,	White	5686-2W
Double Throw,	Ivory	5686-2I
Center Off	Light Almond	5686-2T

TESTING AND CODE COMPLIANCE

- UL Listed (File #E-7458)
- CSA Certified (File #LR-3413)
- NOM Certified (#057)
- Meets requirements of latest Federal Specification WS-896

HORSEPOWER

- 15A - 1/2 @ 120V, 2 @ 240V

MATERIAL CHARACTERISTICS

- Environmental: Flammability, UL-94 V2 Rating
- Operating Temperature: -40°C to 120°C

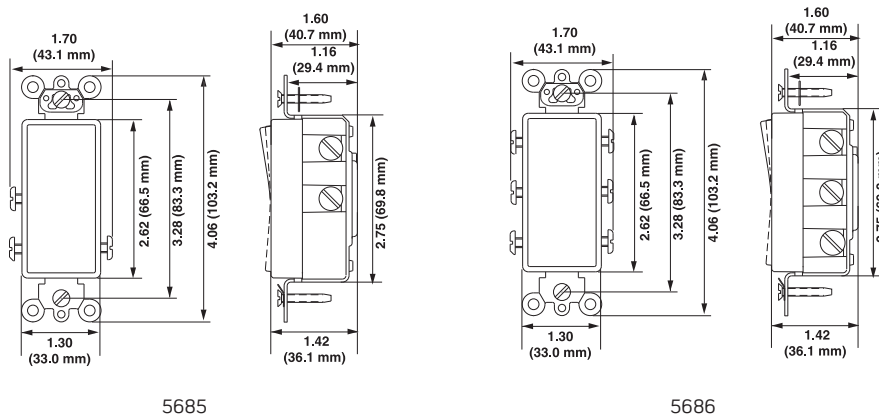
ELECTRICAL

- Dielectric Voltage: Withstands 1500V for 1 min.
- Overload UL 20 Test: 100 cycles of overload at 4.8 times rated current
- Temp. Rise: 30° C max at full rated current
- Endurance: UL 20/Fed Spec 50,000 cycles min., tungsten filament lamp load (Fed.Spec.) WS896E, SP, DP, 3-Way, 4-Way, Pilot Light, Illum., Key Lock

MECHANICAL

- Terminal I.D.: Brass-Hot, Black-Hot, White-Neutral, Green-Grounding
- Terminal Accom.: #14-#10 AWG back wired; #14-#12 AWG side wired
- Product I.D.: Ratings are permanently stamped on device strap
- Torque Range: 12-14 inch pounds

DIMENSIONS



Decora Plus™ Commercial Specification Grade Illuminated and Pilot Light Switches

Specifications and Features

- Illuminated when load is OFF
- Pilot Light rocker visible when load is ON, even in bright light
- Back and side-wiring terminals accept both solid and stranded wire to ease installation
- Two ground connection options: a green grounding screw and a self-grounding clip

BACK AND SIDE WIRED - ILLUMINATED* U S

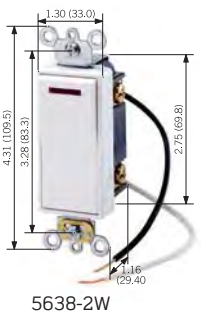
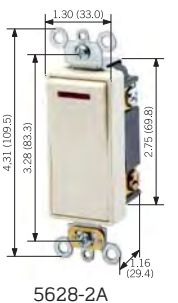
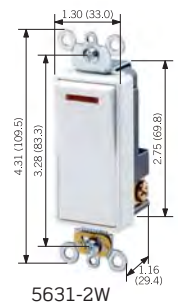
Description	Color	Cat No.	Cat. No.
Rating		20A- 120VAC	20A- 277VAC
Single Pole	White	5631-2W	5649-2W
	Ivory	5631-2I	—
	Light Almond	5631-2T	—
	Black	5631-2E	—
3-Way	White	5633-2W	5659-2W
	Ivory	5633-2I	—
	Light Almond	5633-2T	—

*Does not require a neutral wire.

BACK AND SIDE WIRED - PILOT LIGHT* U S

Description	Color	Cat No.	Cat. No.
Rating		20A- 120VAC	20A- 277VAC
Single Pole	White	5628-2W	5629-2W
	Ivory	5628-2I	—
	Light Almond	5628-2T	—
	Brown	5628-2	—
3-Way	White	5638-2W	5639-2W
	Ivory	5638-2I	—

*Requires a neutral wire.



Commercial Grade

TESTING AND CODE COMPLIANCE

- UL Listed (File #E-7458)
- CSA Certified (File #LR-3413)
- NOM Certified (#057)
- Compliance with the latest Federal Specification WS-896

HORSEPOWER

- 20A - 1 @ 120V, 2 @ 240V

MATERIAL CHARACTERISTICS

- Environmental: Flammability, UL-94 V2 Rating
- Operating Temperature: -40°C to 120°C

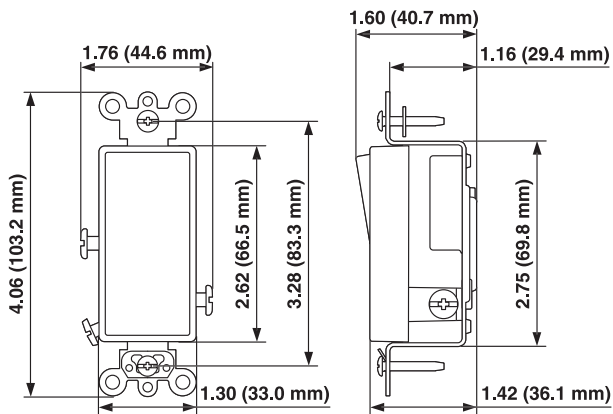
ELECTRICAL

- Dielectric Voltage: Withstands 1500V for 1 min.
- Overload UL 20 Test: 100 cycles of overload at 4.8 times rated current
- Temp. Rise: 30° C max at full rated current
- Endurance: UL 20/Fed Spec 50,000 cycles min., tungsten filament lamp load (Fed.Spec.) WS896E, SP, DP, 3-Way, 4-Way, Pilot Light, Illum., Key Lock

MECHANICAL

- Terminal I.D.: Brass-Hot, Black-Hot, White-Neutral, Green-Grounding
- Terminal Accom.: #14-#10 AWG back wired; #14-#12 AWG side wired
- Product I.D.: Ratings are permanently stamped on device strap
- Torque Range: 12-14 inch pounds

DIMENSIONS

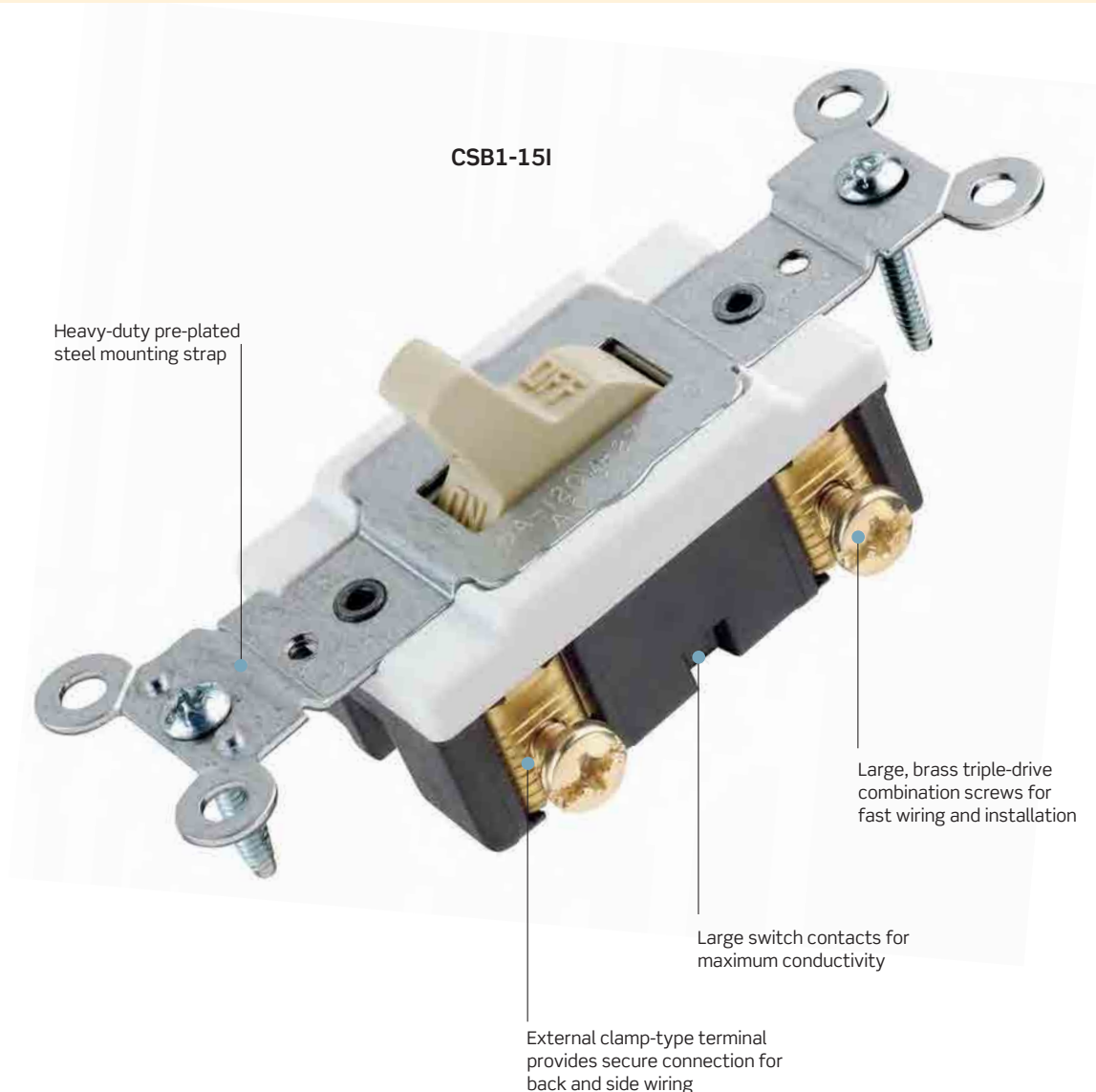


AC-Quiet Commercial Specification Grade Switches

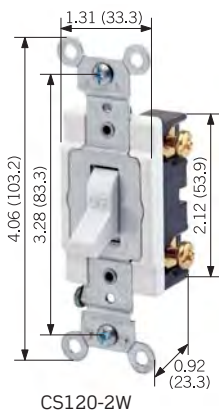
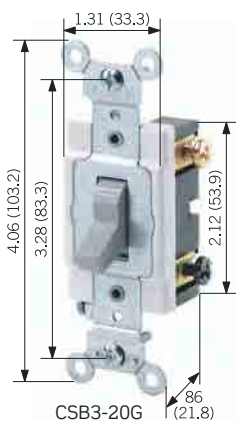
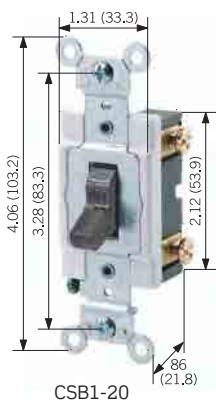
Leviton's Commercial Specification Grade switches are designed to offer outstanding reliability and top performance in commercial settings. Ideal applications include municipal facilities, government buildings, malls, department stores, hospital and health care facilities, office buildings, schools, colleges, universities, houses of worship and cultural institutions. Leviton offers a large selection of 15 and 20 Amp Commercial switches, available in a wide variety of colors, wiring options and other features.

Specifications and Features

- Listed UL Federal Specification, WS 896
- Heavy-duty pre-plated steel mounting strap for maximum strength
- All screws are brass combination-head for fast installation with Standard, Phillips, and Robertson head screwdrivers
- External clamp-type wiring terminals provides secure connection of solid or stranded wire for back or side wiring (CSB1 and CSB3)
- Backed by a Limited Ten-Year Warranty



Commercial Grade



BACK AND SIDE WIRED U S

Description	Color	Cat. No.	
Rating		120/277V AC	
		15A	20A
Single Pole	White	CSB1-15W	CSB1-20W
	Ivory	CSB1-15I	CSB1-20I
	Light Almond	CSB1-15T	CSB1-20T
	Grey	CSB1-15G	CSB1-20G
	Brown	CSB1-15	CSB1-20
Double Pole	White	CSB2-15W	CSB2-20W
	Ivory	CSB2-15I	CSB2-20I
	Light Almond	CSB2-15T	CSB2-20T
	Grey	—	CSB2-20G
	Brown	CSB2-15	CSB2-20
3-Way	White	CSB3-15W	CSB3-20W
	Ivory	CSB3-15I	CSB3-20I
	Light Almond	CSB3-15T	CSB3-20T
	Grey	—	CSB3-20G
	Brown	CSB3-15	CSB3-20
4-Way	White	CSB4-15W	CSB4-20W
	Ivory	CSB4-15I	CSB4-20I
	Grey	—	CSB4-20G
	Brown	CSB4-15	CSB4-20

NOTE: Cat. Nos. CSB1 and CSB3 feature external clamp-type wiring termination for back and side wiring.

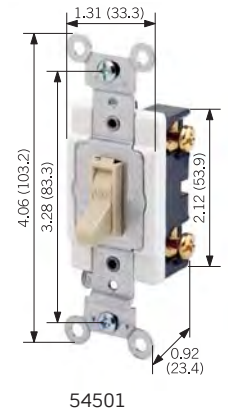
SIDE WIRED U S

Description	Color	Cat. No.		
Rating		120/277V AC		
		15A	20A	
Single Pole	White	CS115-2W	CS120-2W	
	Ivory	CS115-2I	CS120-2I	
	Light Almond	CS115-2T	CS120-2T	
	Grey	CS115-2GY	CS120-2G	
	Black	CS115-2E	CS120-2E	
	Brown	CS115-2	CS120-2	
Single Pole	Ivory	5501-8I	—	
Hospital Call Switch [†]	Brown	5501-8	—	
Single Pole, Framed	White	54501-2W	54521-2W	
	Toggle	Ivory	54501-2I	54521-2I
	Grey	54501-2GY	54521-2GY	
	Brown	54501-2	54521-2	
Double Pole	White	CS215-2W	CS220-2W	
	Ivory	CS215-2I	CS220-2I	
	Light Almond	—	CS220-2T	
	Grey	CS215-2GY	CS220-2GY	
	Black	—	CS220-2E	
	Brown	CS215-2	CS220-2	
Double Pole	Ivory	5502-8I	—	
Hospital Call Switch [†]				
Double Pole, Framed	White	54502-2W	54522-2W	
	Toggle	Ivory	54502-2I	54522-2I
	Brown	54502-2	54522-2	

[†]Hospital Call Switch turns on when toggle is pulled down with cord (3-ft braided cord included).

Commercial Grade

Description	Color	Cat. No.	
Rating		120/277V AC	
		15A	20A
3-Way	White	CS315-2W	CS320-2W
	Ivory	CS315-2I	CS320-2I
	Light Almond	CS315-2T	CS320-2T
	Grey	CS315-2GY	CS320-2GY
	Black	-	CS320-2E
	Brown	CS315-2	CS320-2
3-Way, Framed Toggle	White	54503-2W	54523-2W
	Ivory	54503-2I	54523-2I
	Grey	54503-2GY	54523-2GY
	Brown	54503-2	54523-2
4-Way	White	CS415-2W	CS420-2W
	Ivory	CS415-2I	CS420-2I
	Light Almond	CS415-2T	CS420-2T
	Grey	CS415-2GY	CS420-2GY
	Black	-	CS420-2E
	Brown	CS415-2	CS420-2
4-Way, Framed Toggle	White	54504-2W	54524-2W
	Ivory	54504-2I	54524-2I
	Light Almond	54504-2T	-
	Grey	54504-2GY	54524-2GY
	Brown	54504-2	54524-2

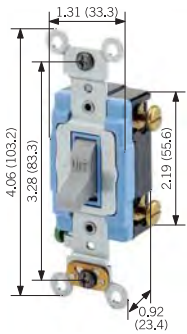


†Hospital Call Switch turns on when toggle is pulled down with cord (3-ft braided cord included).

SIDE WIRED - LIGHTED U S

Description	Color	Cat No.
Rating		15A - 120VAC
Single Pole	White	5501-LHW
	Ivory	5501-LHI
3-Way	White	5503-LHW
	Ivory	5503-LHI

Commercial Grade



1101-CG

SIDE WIRED - CANADIAN S

Description	Colors	Cat No.		Cat No.
		120/277VAC	347VAC	
		15A	20A	15A
Single Pole, Framed Toggle	White	1101-CW	—	18201-CW
	Ivory	1101-CI	54521-2I	18201-CI
	Grey	1101-CG	—	18201-CG
	Black	1101-CE	—	—
	Brown	1101-CB	54521-2	18201-CB
Double Pole, Framed Toggle	White	1102-CW	54522-2W	18202-CW
	Ivory	1102-CI	54522-2I	18202-CI
	Brown	1102-CB	54522-2B	18202-CB
3-Way, Framed Toggle	White	1103-CW	—	18203-CW
	Ivory	1103-CI	54523-2I	18203-CI
	Grey	1103-CG	—	18203-CG
	Brown	1103-CB	54523-2B	18203-CB
4-Way, Framed Toggle	White	1104-CW	—	18204-CW
	Ivory	1104-CI	54524-2I	18204-CI
	Grey	—	—	18204-CG
	Black	1104-CE	—	—
	Brown	1104-CB	54524-2B	18204-CB

TESTING AND CODE COMPLIANCE

- Meets all NEMA WD 1 & 6, and ANSI requirements
- Meets Federal Specification WS-896
- UL Listed (File #E-7458)
- CSA Certified (File #152105)
- NOM Certified (#057)

HORSEPOWER

- 15A - 1 @ 120V, 2 @ 240V 12 AMP Max
- 20A - 1 @ 120V, 2 @ 240V 16 AMP Max

MATERIAL CHARACTERISTICS

- Environmental: Flammability, V2 Rating
- Operating Temperature: -40°C to 120°C

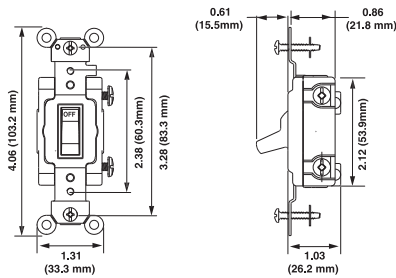
ELECTRICAL

- Dielectric Voltage: Withstands 1500V for 1 min.
- Overload UL 20 Test: 100 cycles of overload at 4.8 times rated current
- Temp. Rise: 30° C max at full rated current
- Endurance: UL 20/Fed Spec 50,000 cycles min., tungsten filament lamp load (Fed. Spec.) WS896E, SP, DP, 3-Way, 4-Way, Pilot Light, Illum., Key Lock

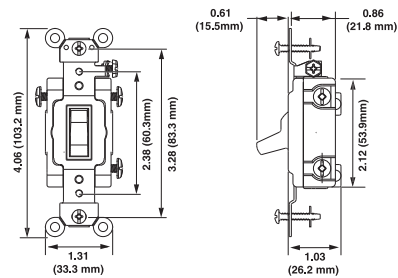
MECHANICAL

- Terminal I.D.: Brass-Hot, Black-Hot, White-Neutral, Green-Grounding
- Terminal Accom.: #14-#10 AWG back wired; #14-#12 AWG side wired
- Product I.D.: Ratings are permanently stamped on device strap
- Torque Range: 12-14 inch pound

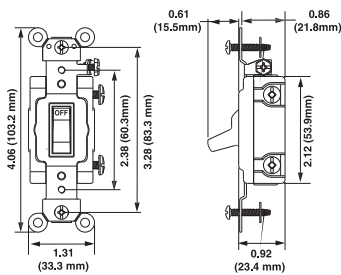
DIMENSIONS



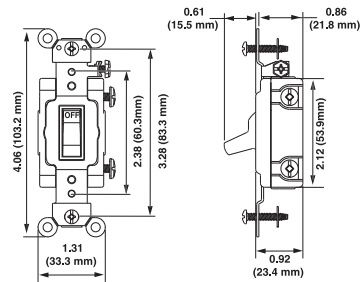
CSB1 Series



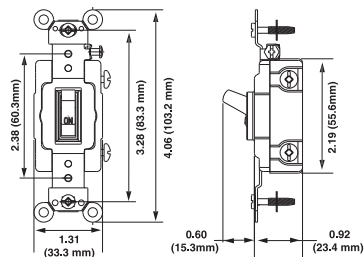
CSB3 Series



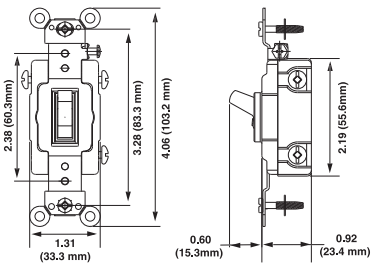
54501



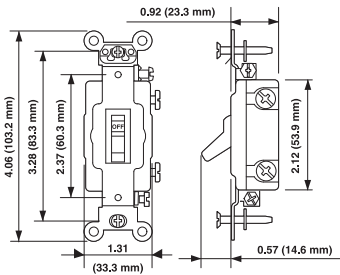
CS115



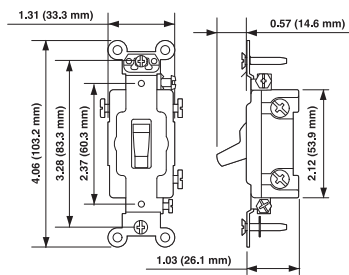
54521



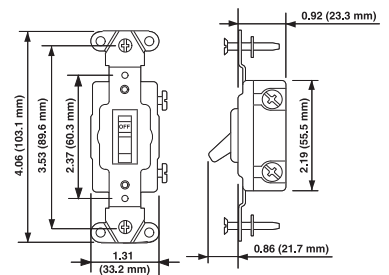
54523



5501-LHI



5503-LHW



18201-C

Residential Grade

Decora® Switches

Featuring a look and feel that qualify them as modern classics, Decora Designer Rocker Switches add so much at a modest cost that no fine home should be without them. Their sleek simplicity and smooth, quiet operation stem from quality materials fitted to tight tolerances and finished with great care, ensuring years of trouble-free service. Easy to wire, they work with tungsten, fluorescent and resistive loads. From legendary Decora® Designer Rocker Switches to traditional toggle switches, Leviton has a switch for any need, in colors to harmonize with any décor. Their sturdy construction and dependable performance are everything you'd expect from the pre-eminent switch maker.

Specifications and Features

All Decora Switches

- Switch frame shields against dust and fits in wallplate to prevent rocker binding
- Terminal screws accept up to No. 12 AWG copper or copper-clad wire
- Quickwire® push-in terminals accept No. 14 AWG solid copper wire only
- Sturdy construction for long service life
- Full-rated current capacity with tungsten, fluorescent or resistive loads. Motor capacity is 80% of switch rating
- Complements every décor
- Limited Two-Year Warranty

Illuminated Decora Switches

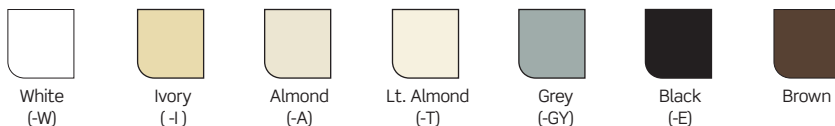
- Illuminated switch rocker illuminates when load is OFF
- Pilot Light switch rocker visible when load is ON, even in bright light
- Illuminated switch does not require a neutral; Pilot Light Switch requires a neutral

Imprinted Decora Switches

- Stock Decora switches available with choice of three imprints on rocker: FAN, DISPOSAL, OIL BURNER



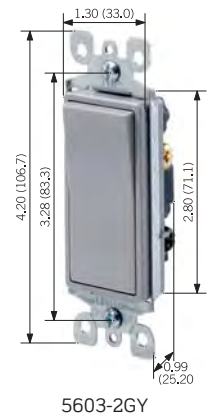
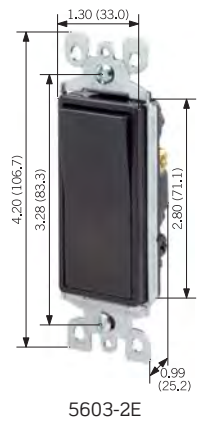
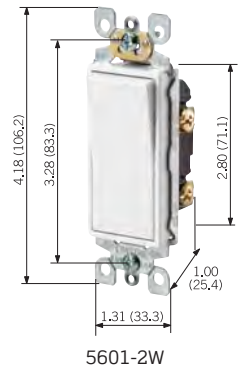
DECORA COLORS



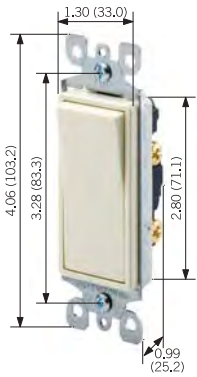
QUICKWIRE PUSH-IN AND SIDE WIRED* U S

Description	Color	Cat No.	
Rating		15A - 120/277VAC	
		w/Ground Screw	Self-grounding* w/Ground Screw
Single Pole	White	—	5601-2W
	Ivory	—	5601-2I
	Almond	—	5601-2A
	Light Almond	—	5601-2T
	Grey	—	5601-2GY
	Black	—	5601-2GE
	Brown	—	5601-2
Double Pole	White	5602-2W	—
	Ivory	5602-2I	—
	Almond	5602-2A	—
	Light Almond	5602-2T	—
	Grey	5602-2GY	—
	Black	5602-2E	—
	Brown	5602-2	—
3-Way	White	—	5603-2W
	Ivory	—	5603-2I
	Almond	—	5603-2A
	Light Almond	—	5603-2T
	Grey	—	5603-2GY
	Black	—	5603-2E
	Brown	—	5603-2
4-Way	White	5604-2W	—
	Ivory	5604-2I	—
	Almond	5604-2A	—
	Light Almond	5604-2T	—
	Grey	5604-2GY	—
	Black	5604-2E	—
	Brown	5604-2	—

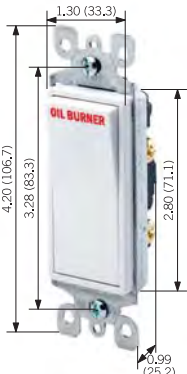
*Self-grounding when installed in a properly grounded metal box.



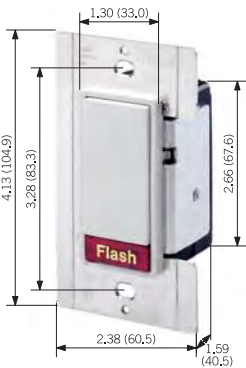
Residential Grade



5611-2A



5601-Z2W



911-W

QUICKWIRE AND SIDE WIRED - ILLUMINATED* U S

Description	Color	Cat. No.	Cat. No.
Rating		15A-120/277VAC	15A-120/277VAC
		non-grounded	with ground screw
Single Pole	White	5611-W	5611-2W
	Ivory	5611-I	5611-2I
	Almond	—	5611-2A
	Light Almond	—	5611-2T
	Brown	5611	5611-2
3-Way	White	5613-W	5613-2W
	Ivory	5613-I	5613-2I
	Almond	—	5613-2A
	Light Almond	—	5613-2T
	Brown	5613	5613-2
4-Way	White	5614-W	5614-2W
	Ivory	5614-I	5614-2I
	Almond	—	5614-2A
	Light Almond	—	5614-2T
	Brown	5614	5614-2

*Lens illuminated when load is OFF - does not require a neutral wire.

QUICKWIRE AND SIDE WIRED - PILOT LIGHT* U S

Description	Color	Cat. No.
Rating		15A-120VAC
		with ground screw
Single Pole	White	5618-2W
	Ivory	5618-2I
	Almond	5618-2A
	Light Almond	5618-2T

*Lens illuminated when load is OFF - does not require a neutral wire.

QUICKWIRE AND SIDE WIRED - IMPRINTED U S

Description	Color	Stock Messages	Cat. No.
Rating			15A-120/277VAC
			with ground screw
Single Pole, Stock	White	FAN, DISPOSAL,	5601-Z2W
or Custom Print	Ivory	OIL BURNER	5601-Z2I

NOTE: For Quickwire and Side Wired Molded made to order products, contact your Leviton sales representative.

TESTING AND CODE COMPLIANCE

- UL Listed (File #E-7458)
- CSA Certified (File #LR-3413)
- NOM Certified (#057)

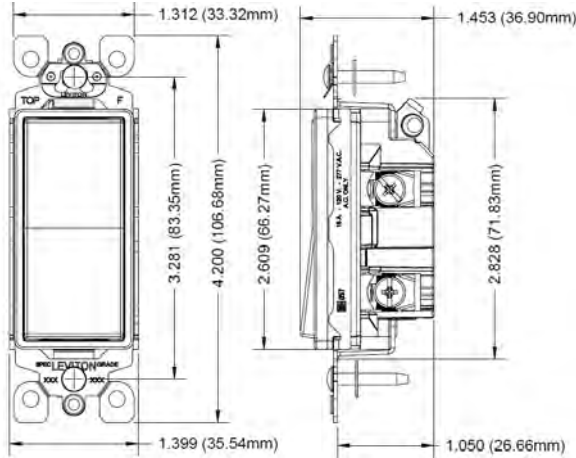
HORSEPOWER

- 15A - 1/2 @ 120V, 2 @ 240V

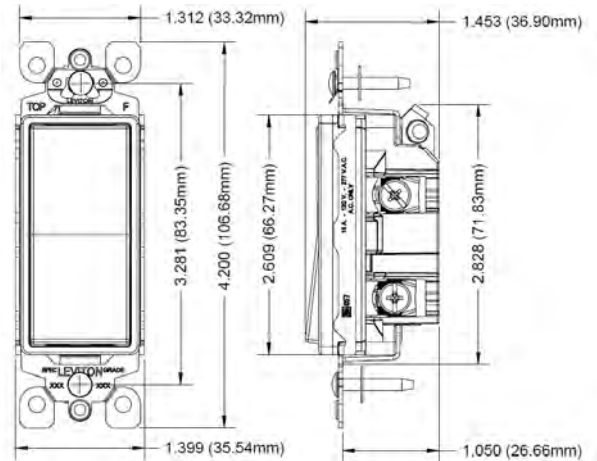
MATERIAL CHARACTERISTICS

- Environmental: Flammability, UL-94, Rated V2
- Operating Temperature: -40°C to 120°C

DIMENSIONS



5601



5603

Residential Grade

AC Quiet Toggle Switches

Tried-and-true toggle designs, Leviton Residential Grade AC Quiet Switches cover all the bases; they install easily and are available in standard and illuminated versions. Their toggles and frames are constructed of impact-resistant thermoplastic, and they feature large head, hardened triple-drive screws for easy installation. Leviton's traditional switches are compatible with a wide range of Leviton plastic and metal wallplates.

Specifications and Features

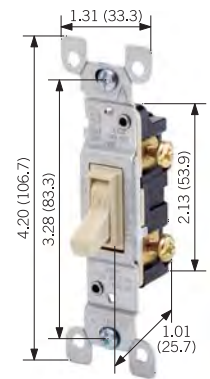
- Faster installation with combination of side wiring and Quickwire push-in wiring
- Terminal screws accept up to No. 12 AWG copper or copper-clad wire
- Quickwire® push-in terminals accept No. 14 AWG solid copper wire only
- Large head, hardened triple-drive combination screws (Standard, Phillips, or Robertson) for fast wiring installation
- Impact-resistant, durable thermoplastic toggle and frame
- Limited Two-Year Warranty



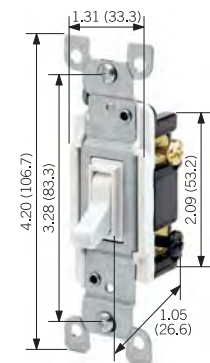
Residential Grade

QUICKWIRE PUSH-IN AND SIDE WIRED U S

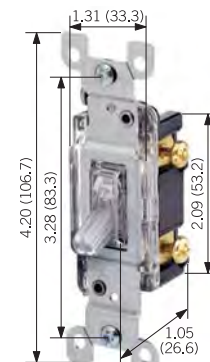
Description	Color	Cat No.	Cat No.	Cat No.
Rating		15A-120VAC non-grounded	15A-120VAC with ground screw	15A-120VAC Self-grounded Backwired Clamp
Single Pole	White	1451-W	1451-2W	RS115-W
	Ivory	1451-I	1451-2I	RS115-I
	Almond	-	1451-2A	RS115-T
	Light Almond	-	1451-2T	
	Black	-	1451-2E	
3-Way	Brown	1451	1451-2	
	White	1453-W	1453-2W	
	Ivory	1453-I	1453-2I	
	Almond	-	1453-2A	
	Light Almond	-	1453-2T	
4-Way	Black	-	1453-2E	
	Brown	1451	1453-2	
	White		54504-2W	
	Ivory		54504-2I	
	Almond		54504-2A	
	Light Almond		54504-2T	
	Black		54504-2GY	
	Brown		54504-2	



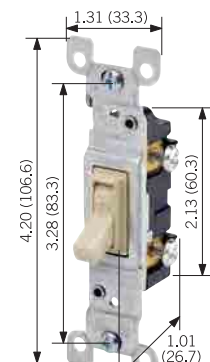
1451



1453



1461-LHC



2651-2

QUICKWIRE AND SIDE WIRED - ILLUMINATED U S

Description	Toggle Color	Illumination	Cat No.
Rating			15A-120VAC with ground screw
Single Pole	Clear	Amber	1461-LHC
3-Way	Clear	Amber	1463-LHC

CO/ALR SIDE WIRED - FRAMED U S

Description	Color	Cat No.
Rating		15A-120VAC with ground screw
Single Pole	White	2651-2W
	Ivory	2651-2I
3-Way	White	2653-2W
	Ivory	2653-2I

NOTE: CO/ALR devices are for connection to 12 or 10 AWG Aluminum Conductors.

Residential Grade

TESTING AND CODE COMPLIANCE

- UL Listed (File #E-7458)
- CSA Certified (File #LR-3413)
- NOM Certified (#057)

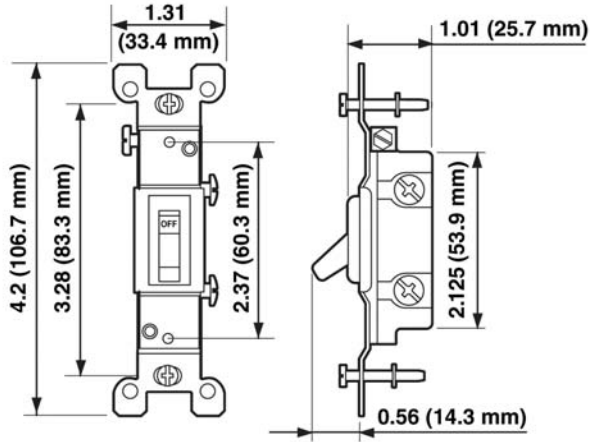
HORSEPOWER

- 15A - $1/2$ @ 120V, 2 @ 240V

MATERIAL CHARACTERISTICS

- Environmental: Flammability, Rated V2
- Operating Temperature: -40°C to 65°C

DIMENSIONS



Traditional Switch

Appliance Switches

Specifications and Features

Single Pole Pull Chain Switches

- Standard finish of metal chain is nickel
- Standard leads are No. 18 AWG 105°C plastic 6" long, stripped 1/2"
- 3³/₄" chain connector, 3' braided cord, end bell
- Bushing ³/₈ - 27 x ³/₈" long
- Piercing ¹³/₃₂" dia

Door Jamb Switch

- Bushing ¹⁵/₃₂-32 x ⁹/₁₆" long

SINGLE POLE PULL CHAIN SWITCHES U S

Description	Sequence	Cat. No.
Rating	3A 125VAC-L 6A 125VAC 3A 250VAC 1/4 HP 125/250V	
Heavy Duty, Single Circuit, Black and Red Leads	ON-OFF (L1, OFF)	1689-75
Heavy Duty, Two Circuit, Four Positions, Black, Blue, Red Leads	LOW-MED-HIGH-OFF (L1, L2, L1 & 2, OFF)	1689-50
Heavy Duty, Two Speed, Four Positions, Black, Blue, Red Leads	ONE-OFF-TWO-OFF (L1, L2, L3, OFF)	1691-50
Rating	3A 125V 1A 125VT 1A 250V	
Compact, Single Circuit, Black Leads	ON-OFF	10097-8
Rating	3A 125VAC-L 6A 125VAC 3A 250VAC	
Compact, Single Circuit, Black Leads	ON-OFF	10041-500



PUSH-BUTTON DOOR JAMB SWITCH U S

Description	Sequence	Cat. No.
Rating	3A 125V	
Single Circuit, Momentary, Metal Pushbutton, No. 18AWG Leads, with Jamb Box, Mounting Screws and Cover Plate	NORMALLY ON	1865



1865

Residential Grade



5410-W

FEED-THROUGH CORD SWITCH U S

Description	Sequence	Color	Cat. No.
Rating Heavy Duty, Single Pole, 18/2 - 16/2 Type SPT-1, SPT-2 or Round Cord 18/2, Type SVT and other cords up to 9/32" outer jacket	ON-OFF	White Ivory Brown	3A 125V 1/2 H.P. 125V 5410-W 5410-I 5410



423-31

MINIATURE FEED-THROUGH CORD SWITCH U S

Description	Color	Cat. No.
Rating Miniature Single Pole, ON-OFF Sequence, Captive Screw (for use with #18 ga. SPT-1 conductors)	White Ivory Brown	3A 125V 1/2 H.P. 125V 423-3W 423-3I 423-3

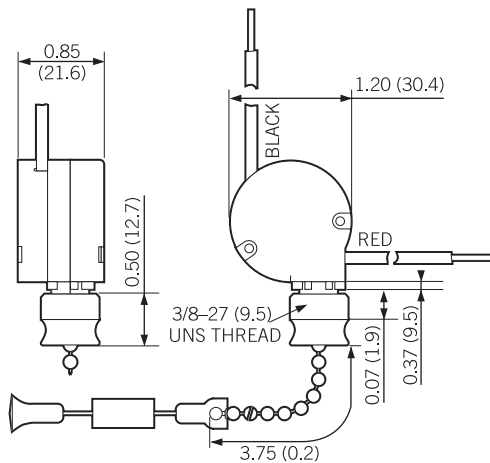
TESTING AND CODE COMPLIANCE

- UL Recognized Component (File #E-7458) - Cat. Nos. 1689 75, 1689-50, 1691-50, 10041-500
- UL Listed (File #E-7443) - Cat Nos. 10097-8 and 1865
- UL Listed (File #E-7458) - Cat Nos. 5410 and 423-3
- CSA Certified (File #LR-3413)
- NOM Certified (#057)

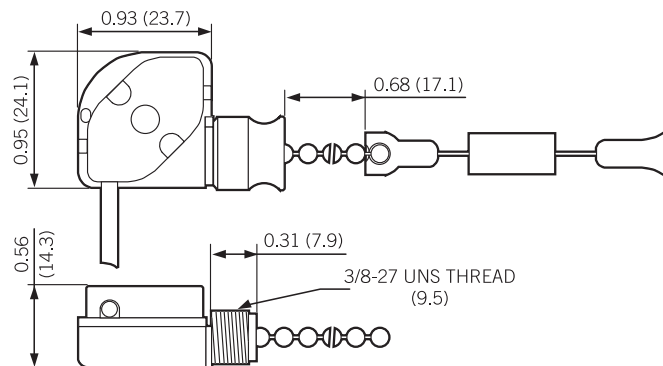
MATERIAL CHARACTERISTICS

- Environmental: Flammability, UL-94, Rated V2
- Operating Temperature: -40°C to 120°C

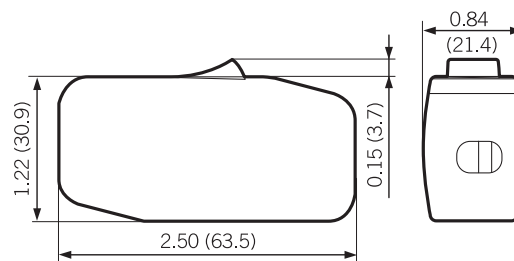
DIMENSIONS



1689-75 Heavy Duty Pull Chain Switch



10097-8 Compact Pull Chain Switch



5410 Feed Through Switch