

Table of Contents

Flexible Cord

| | |
|--|----------|
| SPECTRUM® Cord Grips | Pg. 3-7 |
| Strain Relief Cord Connectors | Pg. 8-15 |
| Non-Metallic Strain Relief Cord Connectors | Pg. 16 |
| SPECTRUM® Neoprene Bushings | Pg. 17 |
| Cord Grips with Multiple Holes | Pg. 18 |

Rigid

| | |
|---|-----------|
| Compression Connectors & Couplings | Pg. 20 |
| Set Screw Connectors & Couplings | Pg. 21 |
| Reducing Bushings | Pg. 22-24 |
| 3 Piece Couplings, Chase Nipples, Combination Couplings | Pg. 25-26 |
| Conduit, Sealing, Grounding Locknuts & Conduit Hangers | Pg. 27-29 |
| Rigid Steel Straps, Reducing Washers, Plastic Bushings | Pg. 30-32 |
| Knockout Seals & Bushings | Pg. 33-34 |

Service Entrance

| | |
|-----------------------|--------|
| U.F. Connectors | Pg. 35 |
|-----------------------|--------|

Liquid Tight

| | |
|--|-----------|
| Connectors (Reusable)..... | Pg. 37-39 |
| Connectors - Grounding Type w/Lugs..... | Pg. 40-42 |
| Connectors - Non-metallic..... | Pg. 43 |
| Zinc Die Cast Connectors | Pg. 44-45 |
| Combination Couplings & Sealing Washers | Pg. 46 |
| Ferrules & Lugs | Pg. 47 |
| MS Connectors & Female Thread Connectors | Pg. 48 |

EMT

| | |
|--|-----------|
| Compression and Set Screw Connectors & Couplings..... | Pg. 50-54 |
| Conduit Hangers, EMT Steel Straps & EMT Insulating Bushings..... | Pg. 55-57 |

Wire Mesh

| | |
|--|-----------|
| Liquid Tight & MS Connectors with Mesh | Pg.59-61 |
| Cord Connectors with Mesh | Pg. 62-66 |
| Other Mesh Products | Pg. 67-68 |

| | |
|------------------------------|------------------|
| Cross Reference | Pg. 69-99 |
|------------------------------|------------------|

| | |
|----------------------------|--------------------|
| Catalog Index | Pg. 100-104 |
|----------------------------|--------------------|

| | |
|-----------------------------------|--------------------------|
| Terms and Conditions | Inside Back Cover |
|-----------------------------------|--------------------------|

Federal Specifications:

American Fittings in most cases complies with W-F-406C (Liquid Tight) and W-F-408E, the general fitting classification. Material or article meets all guidelines and provisions of the Buy American Act and Buy American Improvement Act of 2005.

Specifications subject to change without notice.

© 2008 Copyright American Fittings Corp., Westwood, NJ - All Rights Reserved.



Since 1946

Flexible Cord

Strain Relief Cord Connectors provide a liquid tight and strain relief termination for flexible type neoprene, vinyl, or PVC control cord and cable, and are now offered in steel, aluminum, and nylon. Designed for wet or dry locations, they seal electrical connections against dust, oil, water or other moisture-containing elements, and function to prevent cable pullout. Fittings are appropriate in manufacturing environments including chemical, waste treatment, food processing, and high tech machinery plants.

Inside this section

| | |
|---|------|
| The SPECTRUM® System of High Quality, Colored Cord Grips | 3-7 |
| Strain Relief Cord Connectors | 8-16 |
| SPECTRUM® Bushings | 17 |
| Cord Grip Connectors with Multiple Hole Bushings | 18 |



Our Signature Hallmark Product

Spectrum® Cord Grips are identified by the color-coded grommet and sealing washer and inclusion of the conduit locknut. Color-coded grommets indicate min-max cable diameter range. Easy-to-use pocket size color-coded sizing charts are included with each carton.

Spectrum® Grips are available in steel and aluminum and in straight, 45°, and 90° entrance configurations to meet the requirements of rugged service on all types of equipment and in all non-hazardous areas. Spectrum products are fabricated from the highest quality components.

The Pattern

Our hexagon pattern compression nut enhances the flexibility of the fitting for easier and consistent torque. Bodies are screw machined with a striking zinc finish.

Our high temperature rated (105°) grommet is driven into the body and around the cable to ensure a liquid tight seal.

Options

Neoprene Bushings can be purchased for replacement by specific color. The sealing washer will diminish friction for ease in compression. The heavy duty UL and CSA locknut completes the liquid tight application.

The standard Strain Relief Cord Connectors are provided with colored grommets for identification and easy cord diameter selection.

Custom connectors requiring specific cable ranges or grommet color can be fabricated to specifications.

Special Cord Grips with Multiple Hole Bushings are also available upon request.



Since 1946

The SPECTRUM® System of High Quality Colored Cord Grips

- Color coded grommet and sealing washer indicating cable diameter ranges
- Provides a UL liquid tight and strain relief termination for flexible type, neoprene, vinyl, or PVC control cord and cable
- Pocket size color-coded sizing chart included
- Includes UL & CSA listed conduit locknut



UL rated suitable for hazardous locations
 Class I, Div. 2; Class II, Div. 1 and 2;
 Class III, Div. 1 and 2; NEC 501-4(b), 505-4 (a), 503-3(a)



Straight Connectors

| Cat. # | Color | Size | Cable Ranges | | Unit Ctn | Std Pkg | WT/ 100 |
|--------|--------|--------|--------------|-------|----------|---------|---------|
| | | | Min. | Max. | | | |
| CG1 | Red | 1/2" | .150 | .250 | 25 | 250 | 12 |
| CG2 | White | 1/2" | .250 | .350 | 25 | 250 | 12 |
| CG3 | Blue | 1/2" | .350 | .450 | 25 | 250 | 12 |
| CG4 | Green | 1/2" | .450 | .560 | 25 | 250 | 12 |
| CG5 | Brown | 1/2" | .560 | .650 | 25 | 250 | 12 |
| CG6 | Red | 3/4" | .150 | .250 | 10 | 100 | 16 |
| CG7 | White | 3/4" | .250 | .350 | 10 | 100 | 16 |
| CG8 | Blue | 3/4" | .350 | .450 | 10 | 100 | 16 |
| CG9 | Green | 3/4" | .450 | .560 | 10 | 100 | 16 |
| CG10 | Brown | 3/4" | .560 | .650 | 10 | 100 | 16 |
| CG11 | Yellow | 3/4" | .650 | .750 | 10 | 100 | 19 |
| CG12 | Purple | 3/4" | .750 | .850 | 10 | 100 | 19 |
| CG13 | Green | 1" | .450 | .560 | 5 | 50 | 28 |
| CG14 | Brown | 1" | .560 | .650 | 5 | 50 | 28 |
| CG15 | Yellow | 1" | .650 | .750 | 5 | 50 | 28 |
| CG16 | Purple | 1" | .750 | .850 | 5 | 50 | 28 |
| CG17 | Grey | 1" | .850 | .950 | 5 | 50 | 28 |
| CG18 | Black | 1" | .950 | 1.050 | 5 | 50 | 28 |
| CG19 | Purple | 1-1/4" | .750 | .850 | 5 | 25 | 48 |
| CG20 | Grey | 1-1/4" | .850 | .950 | 5 | 25 | 48 |
| CG21 | Black | 1-1/4" | .950 | 1.050 | 5 | 25 | 48 |
| CG22 | Orange | 1-1/4" | 1.050 | 1.150 | 5 | 25 | 48 |
| CG23 | Red | 1-1/4" | 1.150 | 1.250 | 5 | 25 | 48 |
| CG24 | White | 1-1/4" | 1.250 | 1.375 | 5 | 25 | 48 |
| CG25 | Black | 1-1/2" | .950 | 1.050 | 2 | 20 | 90 |
| CG26 | Orange | 1-1/2" | 1.050 | 1.150 | 2 | 20 | 90 |
| CG27 | Red | 1-1/2" | 1.150 | 1.250 | 2 | 20 | 90 |
| CG28 | White | 1-1/2" | 1.250 | 1.375 | 2 | 20 | 90 |

The SPECTRUM® System of High Quality Colored Cord Grips

- Color coded grommet and sealing washer indicating cable diameter ranges
- Provides a UL liquid tight and strain relief termination for flexible type, neoprene, vinyl, or PVC control cord and cable
- Pocket size color-coded sizing chart included
- Includes UL & CSA listed conduit locknut

UL rated suitable for hazardous locations
 Class I, Div. 2; Class II, Div. 1 and 2;
 Class III, Div. 1 and 2; NEC 501-4(b), 505-4 (a), 503-3(a)

90° Angle Connectors†

| Cat. # | Color | Size | Cable Ranges | | Unit Ctn | Std Pkg | WT/ 100 |
|--------|--------|------|--------------|-------|----------|---------|---------|
| | | | Min. | Max. | | | |
| CG190 | Red | 1/2" | .150 | .250 | 10 | 100 | 26 |
| CG290 | White | 1/2" | .250 | .350 | 10 | 100 | 26 |
| CG390 | Blue | 1/2" | .350 | .450 | 10 | 100 | 26 |
| CG490 | Green | 1/2" | .450 | .560 | 10 | 100 | 26 |
| CG590 | Brown | 1/2" | .560 | .650 | 10 | 100 | 26 |
| CG690 | Red | 3/4" | .150 | .250 | 5 | 50 | 48 |
| CG790 | White | 3/4" | .250 | .350 | 5 | 50 | 48 |
| CG890 | Blue | 3/4" | .350 | .450 | 5 | 50 | 48 |
| CG990 | Green | 3/4" | .450 | .560 | 5 | 50 | 48 |
| CG1090 | Brown | 3/4" | .560 | .650 | 5 | 50 | 48 |
| CG1190 | Yellow | 3/4" | .650 | .750 | 5 | 50 | 48 |
| CG1290 | Purple | 3/4" | .750 | .850 | 5 | 50 | 48 |
| CG1390 | Green | 1" | .450 | .560 | 5 | 25 | 68 |
| CG1490 | Brown | 1" | .560 | .650 | 5 | 25 | 68 |
| CG1590 | Yellow | 1" | .650 | .750 | 5 | 25 | 68 |
| CG1690 | Purple | 1" | .750 | .850 | 5 | 25 | 68 |
| CG1790 | Grey | 1" | .850 | .950 | 5 | 25 | 68 |
| CG1890 | Black | 1" | .950 | 1.050 | 5 | 25 | 68 |



45° Angle Connectors†

| Cat. # | Color | Size | Cable Ranges | | Unit Ctn | Std Pkg | WT/ 100 |
|--------|--------|------|--------------|-------|----------|---------|---------|
| | | | Min. | Max. | | | |
| CG145 | Red | 1/2" | .150 | .250 | 10 | 100 | 26 |
| CG245 | White | 1/2" | .250 | .350 | 10 | 100 | 26 |
| CG345 | Blue | 1/2" | .350 | .450 | 10 | 100 | 26 |
| CG445 | Green | 1/2" | .450 | .560 | 10 | 100 | 26 |
| CG545 | Brown | 1/2" | .560 | .650 | 10 | 100 | 26 |
| CG645 | Red | 3/4" | .150 | .250 | 5 | 50 | 48 |
| CG745 | White | 3/4" | .250 | .350 | 5 | 50 | 48 |
| CG845 | Blue | 3/4" | .350 | .450 | 5 | 50 | 48 |
| CG945 | Green | 3/4" | .450 | .560 | 5 | 50 | 48 |
| CG1045 | Brown | 3/4" | .560 | .650 | 5 | 50 | 48 |
| CG1145 | Yellow | 3/4" | .650 | .750 | 5 | 50 | 48 |
| CG1245 | Purple | 3/4" | .750 | .850 | 5 | 50 | 48 |
| CG1345 | Green | 1" | .450 | .560 | 5 | 25 | 68 |
| CG1445 | Brown | 1" | .560 | .650 | 5 | 25 | 68 |
| CG1545 | Yellow | 1" | .650 | .750 | 5 | 25 | 68 |
| CG1645 | Purple | 1" | .750 | .850 | 5 | 25 | 68 |
| CG1745 | Grey | 1" | .850 | .950 | 5 | 25 | 68 |
| CG1845 | Black | 1" | .950 | 1.050 | 5 | 25 | 68 |



† Consult factory for 90° & 45° dimensions

The ALUMINUM SPECTRUM® System of High Quality Colored Cord Grips

- Designed for more corrosive environments
- Resistant to moisture and most normal and hazardous atmospheric conditions
- Bright & polished appearance
- Color coded grommet and sealing washer indicating cable diameter ranges
- Provides a UL liquid tight and strain relief termination for flexible type, neoprene, vinyl, or PVC control cord and cable
- Pocket size color-coded sizing chart included
- Includes UL & CSA listed conduit locknut

UL rated suitable for hazardous locations
Class I, Div. 2; Class II, Div. 1 and 2;
Class III, Div. 1 and 2; NEC 501-4(b), 505-4 (a), 503-3(a)



Straight Connectors

| Cat. # | Color | Size | Cable Ranges | | Unit Ctn | Std Pkg | WT/ 100 |
|--------|--------|------|--------------|------|----------|---------|---------|
| | | | Min. | Max. | | | |
| CG1AL | Red | 1/2" | .150 | .250 | 25 | 250 | 6 |
| CG2AL | White | 1/2" | .250 | .350 | 25 | 250 | 6 |
| CG3AL | Blue | 1/2" | .350 | .450 | 25 | 250 | 6 |
| CG4AL | Green | 1/2" | .450 | .560 | 25 | 250 | 6 |
| CG5AL | Brown | 1/2" | .560 | .650 | 25 | 250 | 6 |
| CG6AL | Red | 3/4" | .150 | .250 | 10 | 100 | 8 |
| CG7AL | White | 3/4" | .250 | .350 | 10 | 100 | 8 |
| CG8AL | Blue | 3/4" | .350 | .450 | 10 | 100 | 8 |
| CG9AL | Green | 3/4" | .450 | .560 | 10 | 100 | 8 |
| CG10AL | Brown | 3/4" | .560 | .650 | 10 | 100 | 8 |
| CG11AL | Yellow | 3/4" | .650 | .750 | 10 | 100 | 10 |
| CG12AL | Purple | 3/4" | .750 | .850 | 10 | 100 | 10 |

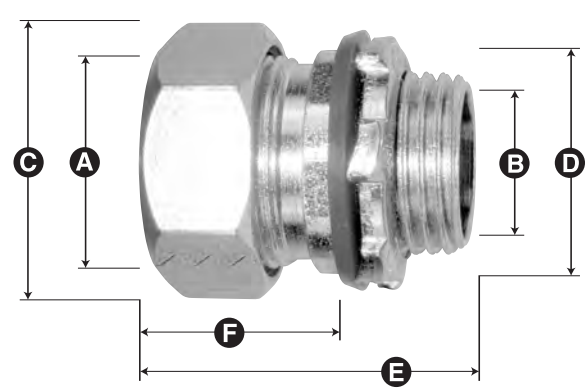


Since 1946

Selection Table for SPECTRUM® Cords

| Cat. # | Size | Cable Ranges | | For Types S, SO, ST & STO | For Types SJ, STO, SJT, SJTO, SVO, and Bus Drop |
|--------|--------|--------------|-------|---|--|
| | | Min. | Max. | | |
| CG1 | 1/2" | .150 | .250 | | 18-2,3 SVO |
| CG2 | 1/2" | .250 | .350 | | 18-2,3 SJT, 18-2,3,4 SJO 16-2,3, SJO |
| CG3 | 1/2" | .350 | .450 | 18-2,3,4 16-2,3,4 | 16-4 SJO 14-2,3,4 SJO 12-2 SJO 14-3 Bus Drop |
| CG4 | 1/2" | .450 | .560 | 18-5,6,7 16-5,6 14-2,3 | 12-3 SJO 12-3 & 10-3 Bus Drop |
| CG5 | 1/2" | .560 | .650 | 18-8,10 16-7,8 14-4 12-2,3 10-2 | |
| CG6 | 3/4" | .150 | .250 | | 18-2,3 SVO |
| CG7 | 3/4" | .250 | .350 | | 18-2,3 SJT 18-2,3,4 SJO 16-2,3 SJO |
| CG8 | 3/4" | .350 | .450 | 18-2,3,4 16-2,3,4 | 16-4 SJO 14-2,3,4 SJO 12-2 SJO 14-3 Bus Drop |
| CG9 | 3/4" | .450 | .560 | 18-5,6,7 16-5,6 14-2,3 | 12-3 SJO 12-3 & 10-3 Bus Drop |
| CG10 | 3/4" | .560 | .650 | 18-8,10 16-7,8 14-4 12-2,3 10-2 | |
| CG11 | 3/4" | .650 | .750 | 18-12,14 16-10,12 14-5,6,7 12-4,5 10-3,4 8-2 | 8-3 Bus Drop |
| CG12 | 3/4" | .750 | .850 | 18-16,18,20 16-14,16,18 14-8 12-6,7,8 10-5 8-3,4 6-2 | 6-3 Bus Drop |
| CG13 | 1" | .450 | .560 | 18-5,6,7 16-5,6 14-2,3 | 12-3 SJO 12-3 & 10-3 Bus Drop |
| CG14 | 1" | .560 | .650 | 18-8,10 16-7,8 14-4 12-2,3 10-2 | |
| CG15 | 1" | .650 | .750 | 18-12,14 16-10,12 14-5,6,7 12-4,5 10-3,4 8-2 | 8-3 Bus Drop |
| CG16 | 1" | .750 | .850 | 18-16,18,20 16-14,16,18 14-8 12-6,7,8 10-5 8-3,4 6-2 | 6-3 Bus Drop |
| CG17 | 1" | .850 | .950 | 18-22,24,26 16-20,22,24 14-10,12 10-6,7,8 6-3,4 | 4-3 Bus Drop |
| CG18 | 1" | .950 | 1.050 | 18-30 16-26 14-14,16 12-10 4-3 | |
| CG19 | 1-1/4" | .750 | .850 | 18-16,18,20 16-14,16,18 14-8 12-6,7,8 10-5 8-3,4 6-2 | 6-3 Bus Drop |
| CG20 | 1-1/4" | .850 | .950 | 18-22,24,26 16-20,22,24 14-10,12 10-6,7,8 6-3,4 | 4-3 Bus Drop |
| CG21 | 1-1/4" | .950 | 1.050 | 18-30 16-26 14-14,16 12-10 4-3 | |
| CG22 | 1-1/4" | 1.050 | 1.150 | 18-36,40 16-30,36 14-18,20 12-12,14 10-10 4-4 | 2-3 Bus Drop |
| CG23 | 1-1/4" | 1.150 | 1.250 | 16-40 14-22 12-16,18 10-12,14 2-3 | |
| CG24 | 1-1/4" | 1.250 | 1.375 | 14-24,26,30 12-20 10-16 2-4 | |
| CG25 | 1-1/2" | .950 | 1.050 | 18-30 16-26 14-14,16 12-10 4-3 | |
| CG26 | 1-1/2" | 1.050 | 1.150 | 18-36,40 16-30,36 14-18,20 12-12,14 10-10 4-4 | 2-3 Bus Drop |
| CG27 | 1-1/2" | 1.150 | 1.250 | 16-40 14-22 12-16,18 10-12,14 2-3 | |
| CG28 | 1-1/2" | 1.250 | 1.375 | 12-24,26,30 12-20 10-16 2-4 | |

The SPECTRUM® System of High Quality Colored Cord Grips



Straights[†] Dimensional Table

| Cat. # | Size | A Cable Ranges | | B Max Cable Core Dia. | C Cross Corner Gland Nut O.D. | D Hex Body O.D. | E Overall Length* | F Exposed Length* |
|--------|--------|----------------|-------|-----------------------|-------------------------------|-----------------|-------------------|-------------------|
| | | Min. | Max. | | | | | |
| CG1 | 1/2" | .150 | .250 | .640 | 1.210 | .975 | 1-5/16" | 13/16" |
| CG2 | 1/2" | .250 | .350 | .640 | 1.210 | .975 | 1-5/16" | 13/16" |
| CG3 | 1/2" | .350 | .450 | .640 | 1.210 | .975 | 1-5/16" | 13/16" |
| CG4 | 1/2" | .450 | .560 | .640 | 1.210 | .975 | 1-5/16" | 13/16" |
| CG5 | 1/2" | .560 | .650 | .640 | 1.210 | .975 | 1-5/16" | 13/16" |
| CG6 | 3/4" | .150 | .250 | .687 | 1.210 | 1.220 | 1-5/16" | 13/16" |
| CG7 | 3/4" | .250 | .350 | .687 | 1.210 | 1.220 | 1-5/16" | 13/16" |
| CG8 | 3/4" | .350 | .450 | .687 | 1.210 | 1.220 | 1-5/16" | 13/16" |
| CG9 | 3/4" | .450 | .560 | .687 | 1.210 | 1.220 | 1-5/16" | 13/16" |
| CG10 | 3/4" | .560 | .650 | .687 | 1.210 | 1.220 | 1-5/16" | 13/16" |
| CG11 | 3/4" | .650 | .750 | .845 | 1.440 | 1.220 | 1-9/16" | 1-1/32" |
| CG12 | 3/4" | .750 | .850 | .845 | 1.440 | 1.220 | 1-9/16" | 1-1/32" |
| CG13 | 1" | .450 | .560 | .937 | 1.440 | 1.500 | 1-3/4" | 1-1/8" |
| CG14 | 1" | .560 | .650 | .937 | 1.440 | 1.500 | 1-3/4" | 1-1/8" |
| CG15 | 1" | .650 | .750 | .937 | 1.440 | 1.500 | 1-3/4" | 1-1/8" |
| CG16 | 1" | .750 | .850 | .937 | 1.440 | 1.500 | 1-3/4" | 1-1/8" |
| CG17 | 1" | .850 | .950 | 1.050 | 1.730 | 1.500 | 1-7/8" | 1-3/16" |
| CG18 | 1" | .950 | 1.050 | 1.050 | 1.730 | 1.500 | 1-7/8" | 1-3/16" |
| CG19 | 1-1/4" | .750 | .850 | 1.187 | 1.730 | 1.900 | 1-15/16" | 1-1/4" |
| CG20 | 1-1/4" | .850 | .950 | 1.187 | 1.730 | 1.900 | 1-15/16" | 1-1/4" |
| CG21 | 1-1/4" | .950 | 1.050 | 1.375 | 2.240 | 1.900 | 1-15/16" | 1-1/4" |
| CG22 | 1-1/4" | 1.050 | 1.150 | 1.375 | 2.240 | 1.900 | 1-15/16" | 1-1/4" |
| CG23 | 1-1/4" | 1.150 | 1.250 | 1.375 | 2.240 | 1.900 | 1-15/16" | 1-1/4" |
| CG24 | 1-1/4" | 1.250 | 1.375 | 1.375 | 2.240 | 1.900 | 1-15/16" | 1-1/4" |
| CG25 | 1-1/2" | .950 | 1.050 | 1.375 | 2.240 | 2.280 | 2" | 1-5/16" |
| CG26 | 1-1/2" | 1.050 | 1.150 | 1.375 | 2.240 | 2.280 | 2" | 1-5/16" |
| CG27 | 1-1/2" | 1.150 | 1.250 | 1.375 | 2.240 | 2.280 | 2" | 1-5/16" |
| CG28 | 1-1/2" | 1.250 | 1.375 | 1.375 | 2.240 | 2.280 | 2" | 1-5/16" |

* Normal: may vary slightly depending on cable's diameter † Consult factory for 90° & 45° dimensions

Strain Relief Cord Connectors

- Industrial specification grade, screw machined steel, zinc plated
- Provides a UL liquid tight and strain relief termination for flexible type, neoprene, vinyl, or PVC control cord and cable
- Color-coded grommet to indicate cable diameter range

UL rated suitable for hazardous locations
Class I, Div. 2; Class II, Div. 1 and 2;
Class III, Div. 1 and 2; NEC 501-4(b), 505-4 (a), 503-3(a)



E96445



LR61799



Straight Connectors

| Cat. # | Color | Size | Cable Ranges | | Unit Ctn | Std Pkg | WT/100 |
|------------|--------|------|--------------|-------|----------|---------|--------|
| | | | Min. | Max. | | | |
| CG50A250 | Red | 1/2" | .150 | .250 | 25 | 250 | 12 |
| CG50A350 | White | 1/2" | .250 | .350 | 25 | 250 | 12 |
| CG50A450 | Blue | 1/2" | .350 | .460 | 25 | 250 | 12 |
| CG50A560 | Green | 1/2" | .450 | .560 | 25 | 250 | 12 |
| CG50A650 | Brown | 1/2" | .560 | .650 | 25 | 250 | 12 |
| CG75A250 | Red | 3/4" | .150 | .250 | 10 | 100 | 10 |
| CG75A350 | White | 3/4" | .250 | .350 | 10 | 100 | 10 |
| CG75A450 | Blue | 3/4" | .350 | .460 | 10 | 100 | 10 |
| CG75A560 | Green | 3/4" | .450 | .560 | 10 | 100 | 10 |
| CG75A650 | Brown | 3/4" | .560 | .650 | 10 | 100 | 10 |
| CG75B750 | Yellow | 3/4" | .650 | .750 | 10 | 100 | 10 |
| CG75B850 | Purple | 3/4" | .750 | .850 | 10 | 100 | 10 |
| CG100B560 | Green | 1" | .450 | .560 | 5 | 50 | 28 |
| CG100B650 | Brown | 1" | .560 | .650 | 5 | 50 | 28 |
| CG100B750 | Yellow | 1" | .650 | .750 | 5 | 50 | 28 |
| CG100B850 | Purple | 1" | .750 | .850 | 5 | 50 | 28 |
| CG100C950 | Grey | 1" | .850 | .950 | 5 | 50 | 28 |
| CG100C1050 | Black | 1" | .950 | 1.050 | 5 | 50 | 28 |



Since 1946

Strain Relief Cord Connectors

- Industrial specification grade, screw machined steel, zinc plated
- Provides a UL liquid tight and strain relief termination for flexible type, neoprene, vinyl, or PVC control cord and cable
- Color-coded grommet to indicate cable diameter range

UL rated suitable for hazardous locations
 Class I, Div. 2; Class II, Div. 1 and 2;
 Class III, Div. 1 and 2; NEC 501-4(b), 505-4 (a), 503-3(a)



Straight Connectors

| Cat. # | Color | Size | Cable Ranges | | Unit Ctn | Std Pkg | WT/ 100 |
|--------------|--------|--------|--------------|-------|----------|---------|---------|
| | | | Min. | Max. | | | |
| CG125C850 | Purple | 1-1/4" | .750 | .850 | 5 | 25 | 48 |
| CG125C950 | Grey | 1-1/4" | .850 | .950 | 5 | 25 | 48 |
| CG125D1050 | Black | 1-1/4" | .950 | 1.050 | 5 | 25 | 48 |
| CG125D1150 | Orange | 1-1/4" | 1.050 | 1.150 | 5 | 25 | 48 |
| CG125D1250 | Red | 1-1/4" | 1.150 | 1.250 | 5 | 25 | 48 |
| CG125D1375 | White | 1-1/4" | 1.250 | 1.375 | 5 | 25 | 48 |
| CG150D1050 | Black | 1-1/2" | .950 | 1.050 | 2 | 20 | 90 |
| CG150D1150 | Orange | 1-1/2" | 1.050 | 1.150 | 2 | 20 | 90 |
| CG150D1250 | Red | 1-1/2" | 1.150 | 1.250 | 2 | 20 | 90 |
| CG150D1375 | White | 1-1/2" | 1.250 | 1.375 | 2 | 20 | 90 |
| CG150E1500 | Blue | 1-1/2" | 1.380 | 1.500 | 2 | 20 | 90 |
| CG150E1630** | Green | 1-1/2" | 1.500 | 1.630 | 2 | 20 | 90 |
| CG150E1750** | Brown | 1-1/2" | 1.630 | 1.750 | 2 | 20 | 90 |
| CG150E1880** | Purple | 1-1/2" | 1.750 | 1.880 | 2 | 20 | 90 |
| CG200F1380 | Red | 2" | 1.250 | 1.380 | 2 | 20 | 105 |
| CG200F1500 | Blue | 2" | 1.380 | 1.500 | 2 | 20 | 105 |
| CG200F1630 | Green | 2" | 1.500 | 1.630 | 2 | 20 | 105 |
| CG200F1750 | Brown | 2" | 1.630 | 1.750 | 2 | 20 | 105 |
| CG200F1810 | Yellow | 2" | 1.690 | 1.810 | 2 | 20 | 105 |
| CG200F1880 | Purple | 2" | 1.750 | 1.880 | 2 | 20 | 105 |
| CG200F1940 | White | 2" | 1.810 | 1.940 | 2 | 20 | 105 |
| CG200F2060 | Orange | 2" | 1.940 | 2.060 | 2 | 20 | 105 |

** Cable jacket may have to be stripped to pass through connector body

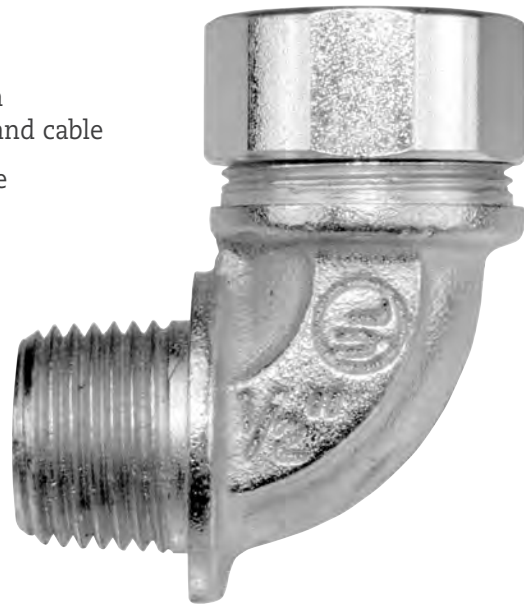


Since 1946

Strain Relief Cord Connectors

- Industrial specification grade steel, zinc plated
- Provides a UL liquid tight and strain relief termination for flexible type, neoprene, vinyl, or PVC control cord and cable
- Color-coded grommet to indicate cable diameter range

UL rated suitable for hazardous locations
Class I, Div. 2; Class II, Div. 1 and 2;
Class III, Div. 1 and 2; NEC 501-4(b), 505-4 (a), 503-3(a)



90° Angle Connectors†

| Cat. # | Color | Size | Cable Ranges | | Unit Ctn | Std Pkg | WT/ 100 |
|--------------|--------|------|--------------|-------|----------|---------|---------|
| | | | Min. | Max. | | | |
| CG50A25090 | Red | 1/2" | .150 | .250 | 10 | 100 | 26 |
| CG50A35090 | White | 1/2" | .250 | .350 | 10 | 100 | 26 |
| CG50A45090 | Blue | 1/2" | .350 | .450 | 10 | 100 | 26 |
| CG50A56090 | Green | 1/2" | .450 | .560 | 10 | 100 | 26 |
| CG50A65090 | Brown | 1/2" | .560 | .650 | 10 | 100 | 26 |
| CG75A25090 | Red | 3/4" | .150 | .250 | 5 | 50 | 48 |
| CG75A35090 | White | 3/4" | .250 | .350 | 5 | 50 | 48 |
| CG75A45090 | Blue | 3/4" | .350 | .450 | 5 | 50 | 48 |
| CG75A56090 | Green | 3/4" | .450 | .560 | 5 | 50 | 48 |
| CG75A65090 | Brown | 3/4" | .560 | .650 | 5 | 50 | 48 |
| CG75B75090 | Yellow | 3/4" | .650 | .750 | 5 | 50 | 48 |
| CG75B85090 | Purple | 3/4" | .750 | .850 | 5 | 50 | 48 |
| CG100B56090 | Green | 1" | .450 | .560 | 5 | 25 | 68 |
| CG100B65090 | Brown | 1" | .560 | .650 | 5 | 25 | 68 |
| CG100B75090 | Yellow | 1" | .650 | .750 | 5 | 25 | 68 |
| CG100B85090 | Purple | 1" | .750 | .850 | 5 | 25 | 68 |
| CG100C95090 | Grey | 1" | .850 | .950 | 5 | 25 | 68 |
| CG100C105090 | Black | 1" | .950 | 1.050 | 5 | 25 | 68 |

† Consult factory for 90° & 45° dimensions



Since 1946

Material or article meets all guidelines and provisions of the Buy American Act and Buy American Improvement Act of 2005

American Fittings Corporation

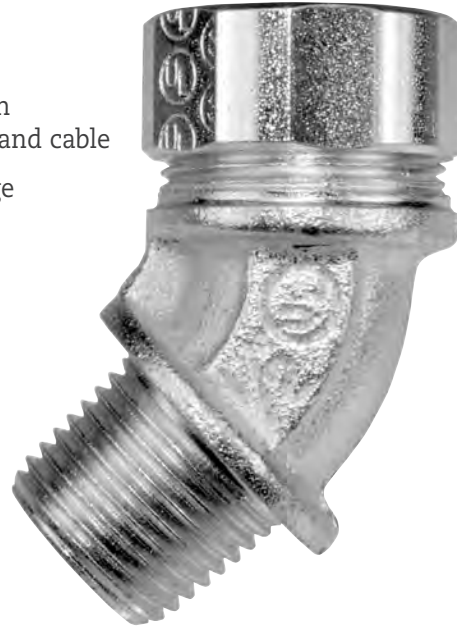
americanfittingscorp.com

800-221-5268

Strain Relief Cord Connectors

- Industrial specification grade steel, zinc plated
- Provides a UL liquid tight and strain relief termination for flexible type, neoprene, vinyl, or PVC control cord and cable
- Color-coded grommet to indicate cable diameter range

UL rated suitable for hazardous locations
 Class I, Div. 2; Class II, Div. 1 and 2;
 Class III, Div. 1 and 2; NEC 501-4(b), 505-4 (a), 503-3(a)



45° Angle Connectors†

| Cat. # | Color | Size | Cable Ranges | | Unit Ctn | Std Pkg | WT/ 100 |
|--------------|--------|------|--------------|-------|----------|---------|---------|
| | | | Min. | Max. | | | |
| CG50A25045 | Red | 1/2" | .150 | .250 | 10 | 100 | 26 |
| CG50A35045 | White | 1/2" | .250 | .350 | 10 | 100 | 26 |
| CG50A45045 | Blue | 1/2" | .350 | .450 | 10 | 100 | 26 |
| CG50A56045 | Green | 1/2" | .450 | .560 | 10 | 100 | 26 |
| CG50A65045 | Brown | 1/2" | .560 | .650 | 10 | 100 | 26 |
| CG75A25045 | Red | 3/4" | .150 | .250 | 5 | 50 | 48 |
| CG75A35045 | White | 3/4" | .250 | .350 | 5 | 50 | 48 |
| CG75A45045 | Blue | 3/4" | .350 | .450 | 5 | 50 | 48 |
| CG75A56045 | Green | 3/4" | .450 | .560 | 5 | 50 | 48 |
| CG75A65045 | Brown | 3/4" | .560 | .650 | 5 | 50 | 48 |
| CG75B75045 | Yellow | 3/4" | .650 | .750 | 5 | 50 | 48 |
| CG75B85045 | Purple | 3/4" | .750 | .850 | 5 | 50 | 48 |
| CG100B56045 | Green | 1" | .450 | .560 | 5 | 25 | 68 |
| CG100B65045 | Brown | 1" | .560 | .650 | 5 | 25 | 68 |
| CG100B75045 | Yellow | 1" | .650 | .750 | 5 | 25 | 68 |
| CG100B85045 | Purple | 1" | .750 | .850 | 5 | 25 | 68 |
| CG100C95045 | Grey | 1" | .850 | .950 | 5 | 25 | 68 |
| CG100C105045 | Black | 1" | .950 | 1.050 | 5 | 25 | 68 |

† Consult factory for 90° & 45° dimensions



Since 1946

Selection Table for Cords

| Cat. # | Size | Cable Ranges | | For Types S, SO, ST & STO | For Types SJ, STO, SJT, SJTO, SVO, and Bus Drop |
|------------|------|--------------|-------|---|--|
| | | Min. | Max. | | |
| CG50A250 | 1/2" | .150 | .250 | | 18-2,3 SVO |
| CG50A350 | 1/2" | .250 | .350 | | 18-2,3 SJT, 18-2,3,4 SJO 16-2,3, SJO |
| CG50A450 | 1/2" | .350 | .450 | 18-2,3,4 16-2,3,4 | 16-4 SJO 14-2,3,4 SJO 12-2 SJO 14-3 Bus Drop |
| CG50A560 | 1/2" | .450 | .560 | 18-5,6,7 16-5,6 14-2,3 | 12-3 SJO 12-3 & 10-3 Bus Drop |
| CG50A650 | 1/2" | .560 | .650 | 18-8,10 16-7,8 14-4 12-2,3 10-2 | |
| CG75A250 | 3/4" | .150 | .250 | | 18-2,3 SVO |
| CG75A350 | 3/4" | .250 | .350 | | 18-2,3 SJT 18-2,3,4 SJO 16-2,3 SJO |
| CG75A450 | 3/4" | .350 | .450 | 18-2,3,4 16-2,3,4 | 16-4 SJO 14-2,3,4 SJO 12-2 SJO 14-3 Bus Drop |
| CG75A560 | 3/4" | .450 | .560 | 18-5,6,7 16-5,6 14-2,3 | 12-3 SJO 12-3 & 10-3 Bus Drop |
| CG75A650 | 3/4" | .560 | .650 | 18-8,10 16-7,8 14-4 12-2,3 10-2 | |
| CG75B750 | 3/4" | .650 | .750 | 18-12,14 16-10,12 14-5,6,7 12-4,5 10-3,4 8-2 | 8-3 Bus Drop |
| CG75B850 | 3/4" | .750 | .850 | 18-16,18,20 16-14,16,18 14-8 12-6,7,8 10-5 8-3,4 6-2 | 6-3 Bus Drop |
| CG100B560 | 1" | .450 | .560 | 18-5,6,7 16-5,6 14-2,3 | 12-3 SJO 12-3 & 10-3 Bus Drop |
| CG100B650 | 1" | .560 | .650 | 18-8,10 16-7,8 14-4 12-2,3 10-2 | |
| CG100B750 | 1" | .650 | .750 | 18-12,14 16-10,12 14-5,6,7 12-4,5 10-3,4 8-2 | 8-3 Bus Drop |
| CG100B850 | 1" | .750 | .850 | 18-16,18,20 16-14,16,18 14-8 12-6,7,8 10-5 8-3,4 6-2 | 6-3 Bus Drop |
| CG100C950 | 1" | .850 | .950 | 18-22,24,26 16-20,22,24 14-10,12 10-6,7,8 6-3,4 | 4-3 Bus Drop |
| CG100C1050 | 1" | .950 | 1.050 | 18-30 16-26 14-14,16 12-10 4-3 | |



Since 1946

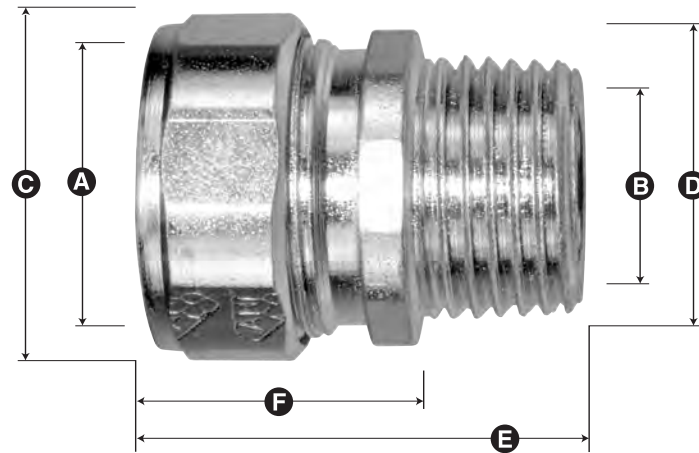
Selection Table for Cords

| Cat. # | Size | Cable Ranges | | For Types S, SO, ST & STO | For Types SJ, STO, SJT, SJTO, SVO, and Bus Drop |
|------------|--------|--------------|-------|---|--|
| | | Min. | Max. | | |
| CG125C850 | 1-1/4" | .750 | .850 | 18-16,18,20 16-14,16,18 14-8 12-6,7,8 10-5 8-3,4 6-2 | 6-3 Bus Drop |
| CG125C950 | 1-1/4" | .850 | .950 | 18-22,24,26 16-20,22,24 14-10,12, 10-6,7,8 6-3,4 | 4-3 Bus Drop |
| CG125D1050 | 1-1/4" | .950 | 1.050 | 18-30 16-26 14-14,16 12-10 4-3 | |
| CG125D1150 | 1-1/4" | 1.050 | 1.150 | 18-36,40 16-30,36 14-18,20 12-12,14 10-10 4-4 | 2-3 Bus Drop |
| CG125D1250 | 1-1/4" | 1.150 | 1.250 | 16-40 14-22 12-16,18 10-12,14 2-3 | |
| CG125D1375 | 1-1/4" | 1.250 | 1.375 | 14-24,26,30 12-20 10-16 2-4 | |
| CG150D1050 | 1-1/2" | .950 | 1.050 | 18-30 16-26 14-14,16 12-10 4-3 | |
| CG150D1150 | 1-1/2" | 1.050 | 1.150 | 18-36,40 16-30,36 14-18,20 12-12,14 10-10 4-4 | 2-3 Bus Drop |
| CG150D1250 | 1-1/2" | 1.150 | 1.250 | 16-40 14-22 12-16,18 10-12,14 2-3 | |
| CG150D1375 | 1-1/2" | 1.250 | 1.375 | 12-24,26,30 12-20 10-16 2-4 | |
| CG150E1500 | 1-1/2" | 1.380 | 1.500 | 3-4, 2-4, 1-2 | |
| CG150E1630 | 1-1/2" | 1.500 | 1.630 | 1/0-2, 1-3 | |
| CG150E1750 | 1-1/2" | 1.630 | 1.750 | 2/0-2,3 1/0-3 1-4 | |
| CG150E1880 | 1-1/2" | 1.750 | 1.880 | 4/0-2 3/0-2,3 2/0-3 1/0-4 | |
| CG200F1380 | 2" | 1.250 | 1.380 | 4-4, 3-4, 2-3,2 | |
| CG200F1500 | 2" | 1.380 | 1.500 | 3-4, 2-4, 1-2 | |
| CG200F1630 | 2" | 1.500 | 1.630 | 1/0-2 1-3 | |
| CG200F1750 | 2" | 1.630 | 1.750 | 2/0-2,3 1/0-3 1-4 | |
| CG200F1810 | 2" | 1.690 | 1.810 | 3/0-2,3 2/0-3 1-4 1/0-4 | |
| CG200F1880 | 2" | 1.750 | 1.880 | 4/0-2, 3/0-2,3 2/0-3 1/0-4 | |
| CG200F1940 | 2" | 1.810 | 1.940 | 4/0-2 2/0-4 | |
| CG200F2060 | 2" | 1.940 | 2.060 | | |



Since 1946

Strain Relief Cord Connectors



Straights† Dimensional Table

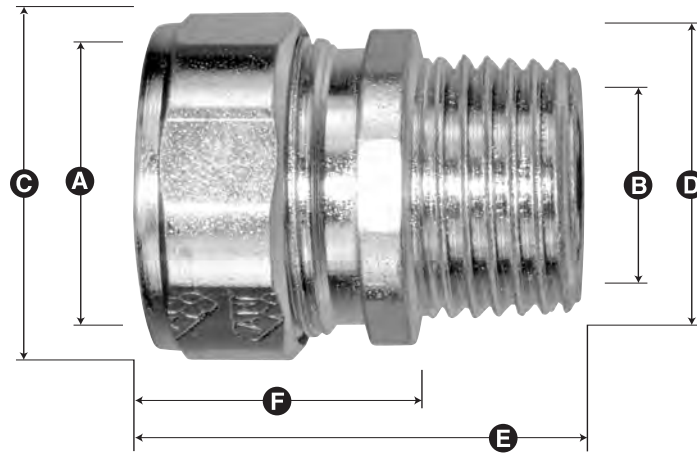
| Cat. # | Size | A Cable Ranges | | B Max Cable Core Dia. | C Cross Corner Gland Nut O.D. | D Hex Body O.D. | E Overall Length* | F Exposed Length* |
|------------|------|-------------------|-------|-----------------------------|-------------------------------------|-----------------------|-------------------------|-------------------------|
| | | Min. | Max. | | | | | |
| CG50A250 | 1/2" | .150 | .250 | .640 | 1.070 | .975 | 1-5/16" | 13/16" |
| CG50A350 | 1/2" | .250 | .350 | .640 | 1.070 | .975 | 1-5/16" | 13/16" |
| CG50A450 | 1/2" | .350 | .450 | .640 | 1.070 | .975 | 1-5/16" | 13/16" |
| CG50A560 | 1/2" | .450 | .560 | .640 | 1.070 | .975 | 1-5/16" | 13/16" |
| CG50A650 | 1/2" | .560 | .650 | .640 | 1.070 | .975 | 1-5/16" | 13/16" |
| CG75A250 | 3/4" | .150 | .250 | .687 | 1.070 | 1.220 | 1-5/16" | 13/16" |
| CG75A350 | 3/4" | .250 | .350 | .687 | 1.070 | 1.220 | 1-5/16" | 13/16" |
| CG75A450 | 3/4" | .350 | .450 | .687 | 1.070 | 1.220 | 1-5/16" | 13/16" |
| CG75A560 | 3/4" | .450 | .560 | .687 | 1.070 | 1.220 | 1-5/16" | 13/16" |
| CG75A650 | 3/4" | .560 | .650 | .687 | 1.070 | 1.220 | 1-5/16" | 13/16" |
| CG75B750 | 3/4" | .650 | .750 | .845 | 1.330 | 1.220 | 1-9/16" | 1-1/32" |
| CG75B850 | 3/4" | .750 | .850 | .845 | 1.330 | 1.220 | 1-9/16" | 1-1/32" |
| CG100B560 | 1" | .450 | .560 | .937 | 1.330 | 1.500 | 1-3/4" | 1-1/8" |
| CG100B650 | 1" | .560 | .650 | .937 | 1.330 | 1.500 | 1-3/4" | 1-1/8" |
| CG100B750 | 1" | .650 | .750 | .937 | 1.330 | 1.500 | 1-3/4" | 1-1/8" |
| CG100B850 | 1" | .750 | .850 | .937 | 1.330 | 1.500 | 1-3/4" | 1-1/8" |
| CG100C950 | 1" | .850 | .950 | 1.050 | 1.625 | 1.500 | 1-7/8" | 1-3/16" |
| CG100C1050 | 1" | .950 | 1.050 | 1.050 | 1.625 | 1.500 | 1-7/8" | 1-3/16" |

* Normal: may vary slightly depending on cable's diameter †Consult factory for 90° & 45° dimensions



Since 1946

Strain Relief Cord Connectors



Straights[†] Dimensional Table

| Cat. # | Size | A Cable Ranges | | B Max Cable Core Dia. | C Cross Corner Gland Nut O.D. | D Hex Body O.D. | E Overall Length* | F Exposed Length* |
|------------|--------|-------------------|-------|-----------------------------|-------------------------------------|-----------------------|-------------------------|-------------------------|
| | | Min. | Max. | | | | | |
| CG125C850 | 1-1/4" | .750 | .850 | 1.187 | 1.625 | 1.900 | 1-15/16" | 1-1/4" |
| CG125C950 | 1-1/4" | .850 | .950 | 1.187 | 1.625 | 1.900 | 1-15/16" | 1-1/4" |
| CG125D1050 | 1-1/4" | .950 | 1.050 | 1.375 | 2.032 | 1.900 | 1-15/16" | 1-1/4" |
| CG125D1150 | 1-1/4" | 1.050 | 1.150 | 1.375 | 2.032 | 1.900 | 1-15/16" | 1-1/4" |
| CG125D1250 | 1-1/4" | 1.150 | 1.250 | 1.375 | 2.032 | 1.900 | 1-15/16" | 1-1/4" |
| CG125D1375 | 1-1/4" | 1.250 | 1.375 | 1.375 | 2.032 | 1.900 | 1-15/16" | 1-1/4" |
| CG150D1050 | 1-1/2" | .950 | 1.050 | 1.375 | 2.032 | 2.280 | 2" | 1-5/16" |
| CG150D1150 | 1-1/2" | 1.050 | 1.150 | 1.375 | 2.032 | 2.280 | 2" | 1-5/16" |
| CG150D1250 | 1-1/2" | 1.150 | 1.250 | 1.375 | 2.032 | 2.280 | 2" | 1-5/16" |
| CG150D1375 | 1-1/2" | 1.250 | 1.375 | 1.375 | 2.032 | 2.280 | 2" | 1-5/16" |
| CG150E1500 | 1-1/2" | 1.380 | 1.500 | 1.625 | 2.375 | 2.188 | 2-1/8" | 1-3/8" |
| CG150E1630 | 1-1/2" | 1.500 | 1.630 | 1.625 | 2.375 | 2.188 | 2-1/8" | 1-3/8" |
| CG150E1700 | 1-1/2" | 1.630 | 1.750 | 1.625 | 2.375 | 2.188 | 2-1/8" | 1-3/8" |
| CG150E1880 | 1-1/2" | 1.750 | 1.880 | 1.625 | 2.375 | 2.188 | 2-1/8" | 1-3/8" |
| CG200F1380 | 2" | 1.250 | 1.380 | 2.060 | 2.875 | 2.656 | 2-1/4" | 1-5/8" |
| CG200F1500 | 2" | 1.380 | 1.500 | 2.060 | 2.875 | 2.656 | 2-1/4" | 1-5/8" |
| CG200F1630 | 2" | 1.500 | 1.630 | 2.060 | 2.875 | 2.656 | 2-1/4" | 1-5/8" |
| CG200F1750 | 2" | 1.630 | 1.750 | 2.060 | 2.875 | 2.656 | 2-1/4" | 1-5/8" |
| CG200F1810 | 2" | 1.690 | 1.810 | 2.060 | 2.875 | 2.656 | 2-1/4" | 1-5/8" |
| CG200F1880 | 2" | 1.750 | 1.880 | 2.060 | 2.875 | 2.656 | 2-1/4" | 1-5/8" |
| CG200F1940 | 2" | 1.810 | 1.940 | 2.060 | 2.875 | 2.656 | 2-1/4" | 1-5/8" |
| CG200F2060 | 2" | 1.940 | 2.060 | 2.060 | 2.875 | 2.656 | 2-1/4" | 1-5/8" |

* Normal: may vary slightly depending on cable's diameter † Consult factory for 90° & 45° dimensions

Non-Metallic Strain Relief Cord Connectors

Size Range 1/2" to 1"

- Utilized with portable cord to provide strain relief termination
- For use in wet or dry locations
- Oil, water, dust, resistant NEMA 4X IP68
- Stands up to most industrial corrosive environments
- Extended cord range to reduce inventory
- Tightening on nut creates a watertight seal
- Neoprene bushings cover a large cable range, reducing the number of different sized fittings required

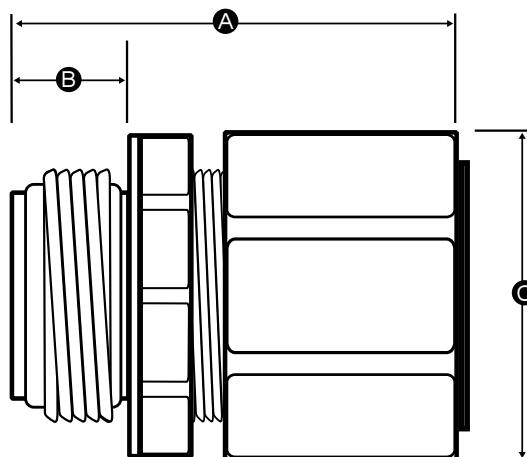
Material: Type 6/6 Nylon
 Sealing Grommet: Neoprene
 Temperature Range: -30° to 105°C Short Term: 150°C
 Flame Resistance: UL 94vo, incandescent Wire
 Color: Industrial Grey

UL Standard 514B • cUL to CSA Standard C22.2 No.18
 Environmental Rating: IP68 • NEMA 4X Watertight



| Cat. # | Size | Unit Qty | Std. Pkg. | Wt./per 100 |
|---------|------|----------|-----------|-------------|
| NMCG50 | 1/2" | 25 | 125 | 3 |
| NMCG75 | 3/4" | 10 | 100 | 6 |
| NMCG100 | 1" | 10 | 100 | 9 |

| Cat. # | Size | Cable Ranges Min. - Max. | Cable Ranges | | |
|---------|------|-----------------------------|--------------|-------|--------|
| | | | A | B | C |
| NMCG50 | 1/2" | .236 - .472 | 1.968" | .590" | .945" |
| NMCG75 | 3/4" | .472 - .709 | 2.007" | .590" | 1.299" |
| NMCG100 | 1" | .669 - .984 | 2.401" | .748" | 1.653" |



SPECTRUM® Neoprene Bushings

- Replacement grommets for steel and aluminum Strain Relief Connectors
- Color-Coded



| Cat. # | Color | Cable Ranges | | Size | Std / Pkg | WT / 100 |
|--------|--------|--------------|-------|--------|-----------|----------|
| | | Min. | Max. | | | |
| CG1G | Red | .150 | .250 | 1/2" | 25 | 2 |
| CG2G | White | .250 | .350 | 1/2" | 25 | 2 |
| CG3G | Blue | .350 | .450 | 1/2" | 25 | 2 |
| CG4G | Green | .450 | .560 | 1/2" | 25 | 2 |
| CG5G | Brown | .560 | .650 | 1/2" | 25 | 2 |
| CG6G | Red | .150 | .250 | 3/4" | 25 | 2 |
| CG7G | White | .250 | .350 | 3/4" | 25 | 2 |
| CG8G | Blue | .350 | .450 | 3/4" | 25 | 2 |
| CG9G | Green | .450 | .560 | 3/4" | 25 | 2 |
| CG10G | Brown | .560 | .650 | 3/4" | 25 | 2 |
| CG11G | Yellow | .650 | .750 | 3/4" | 25 | 2 |
| CG12G | Purple | .750 | .850 | 3/4" | 25 | 2 |
| CG13G | Green | .450 | .560 | 1" | 25 | 4 |
| CG14G | Brown | .560 | .650 | 1" | 25 | 4 |
| CG15G | Yellow | .650 | .750 | 1" | 25 | 4 |
| CG16G | Purple | .750 | .850 | 1" | 25 | 4 |
| CG17G | Grey | .850 | .950 | 1" | 25 | 4 |
| CG18G | Black | .950 | 1.050 | 1" | 25 | 4 |
| CG19G | Purple | .750 | .850 | 1-1/4" | 10 | 10 |
| CG20G | Grey | .850 | .950 | 1-1/4" | 10 | 10 |
| CG21G | Black | .950 | 1.050 | 1-1/4" | 10 | 10 |
| CG22G | Orange | 1.050 | 1.150 | 1-1/4" | 10 | 10 |
| CG23G | Red | 1.150 | 1.250 | 1-1/4" | 10 | 10 |
| CG24G | White | 1.250 | 1.375 | 1-1/4" | 10 | 10 |
| CG25G | Black | .950 | 1.050 | 1-1/2" | 10 | 10 |
| CG26G | Orange | 1.050 | 1.150 | 1-1/2" | 10 | 10 |
| CG27G | Red | 1.150 | 1.250 | 1-1/2" | 10 | 10 |
| CG28G | White | 1.250 | 1.375 | 1-1/2" | 10 | 10 |
| CG29G | Blue | 1.380 | 1.500 | 1-1/2" | 10 | 12 |
| CG30G | Green | 1.500 | 1.630 | 1-1/2" | 10 | 12 |
| CG31G | Brown | 1.630 | 1.750 | 1-1/2" | 10 | 12 |
| CG32G | Purple | 1.750 | 1.880 | 1-1/2" | 10 | 12 |
| CG33G | Red | 1.250 | 1.380 | 2" | 10 | 12 |
| CG34G | Blue | 1.380 | 1.500 | 2" | 10 | 12 |
| CG35G | Green | 1.500 | 1.630 | 2" | 10 | 12 |
| CG36G | Brown | 1.630 | 1.750 | 2" | 10 | 12 |
| CG37G | Yellow | 1.690 | 1.810 | 2" | 10 | 12 |
| CG38G | Purple | 1.750 | 1.880 | 2" | 10 | 12 |
| CG39G | White | 1.810 | 1.940 | 2" | 10 | 12 |
| CG40G | Orange | 1.940 | 2.060 | 2" | 10 | 12 |

Cord Grip Connectors with Multiple Hole Bushings

- Industrial specification grade, screw machined steel, zinc plated
- Provides a UL liquid tight and strain relief termination for flexible type, neoprene, vinyl, or PVC control cord and cable
- Neoprene black bushings — UV stabilized



| Cat. # | Size | Cable Ranges | | Unit Ctn | Std Pkg | WT/100 |
|---------------|------|--------------|------|----------|---------|--------|
| | | Min. | Max. | | | |
| CG50A2222H * | 1/2" | .150 | .222 | 25 | 250 | 12 |
| CG50A2223H ** | 1/2" | .150 | .222 | 25 | 250 | 12 |
| CG75A2222H * | 3/4" | .150 | .222 | 10 | 100 | 10 |
| CG75A2223H ** | 3/4" | .150 | .222 | 10 | 100 | 10 |

* Two-Hole Style

** Three-Hole Style

Additional or Custom Multiple Hole Bushings are Available Upon Request



Since 1946

Rigid - IMC Conduit Compression and Set Screw Connectors and Couplings

Rigid Compression and Set Screw Connectors and Couplings connect and bond threadless rigid or intermediate metal conduit to a box, enclosure, or to couple ends of threadless conduit.

The Industrial Hallmark

- Heavy wall industrial grade Rigid Compression Connectors and Couplings carry UL Rain Tight and Concrete Tight listings through the 2" trade size.
- 2-1/2" to 4" carry a concrete tight rating.
- Connectors with insulated throats meet and exceed all code requirements. Insulators with shield conductors prevent thread damage, and reduce the wire pulling force required.
- Set screw fittings utilize captive screws that will not loosen with vibration.
- Rigid Set Screw Connectors and Couplings are all concrete tight when taped.

Versatility

- The true value and significance of these fittings lies in their versatility. Field threading is assured in hostile and hazardous locations.
- Rigid Compression and Set Screw fittings are ideal for use in new construction as well as maintenance and repair.

Breadth of Line

- Reducing Bushings - UL listed for use in Hazardous Locations. Precision - machined steel assures mechanical protection of the raceway. Available in either tapered or straight threads, steel or aluminum.
- Chase Nipples - Precision machined, designed to couple boxes back-to-back.
- Three piece (Erickson) Couplings - Designed to bond ends of threaded conduit when neither length of conduit can be rotated. Certified Concrete tight; 1/2" and 3/4" trade size are rated Liquid Tight.
- Combination Couplings - Unite EMT to Rigid/IMC. 1/2" and 3/4" trade sizes are rain and concrete tight.
- Conduit Locknuts - UL and CSA listed. Superior steel construction and sparkling zinc finish.
- Sealing Locknuts - Provide a positive rain tight seal against water and other liquids. Locknuts can be used with sheet or cast enclosures, or in place of a threaded enclosure connector.
- Grounding Locknuts - To insure a positive bond and for installations where severe vibration is encountered.
- Conduit Hangers - To fasten and secure EMT or rigid conduit to a threaded rod or mounting surface.
- Rigid Steel Straps - To fasten and support rigid or intermediate conduit to a mounting surface.
- Reducing Washers - To reduce knockout size on sheet metal boxes or enclosures

Inside this section

| | |
|---|---------|
| Compression Connectors and Couplings | 20 |
| Set Screw Connectors and Couplings | 21 |
| Reducing Bushings | 22 - 24 |
| Three Piece Couplings | 25 |
| Chase Nipples, EMT to Rigid Couplings | 26 |
| Conduit Locknuts | 27 |
| Sealing & Grounding Locknuts | 28 |
| Conduit Hangers | 29 |
| Rigid Steel Straps | 30 |
| Reducing Washers | 31 |
| Plastic Insulating Bushings | 32 |
| Knockout Seals & Bushings | 33 - 34 |



Since 1946

Rigid-IMC Connectors Compression Type - (No Thread)

- Industrial specification grade, screw machined steel, zinc plated
- UL Listed Rain Tight and Concrete Tight 1/2" - 2"
- UL Listed Concrete Tight 2-1/2" - 4"

| Cat. # | Size | Unit Ctn | Std Pkg | WT/100 |
|------------|--------|----------|---------|--------|
| NT2750 | 1/2" | 25 | 250 | 13 |
| NT2751 | 3/4" | 20 | 100 | 20 |
| NT2752 | 1" | 5 | 50 | 36 |
| NT2753 | 1-1/4" | 5 | 25 | 48 |
| NT2754 | 1-1/2" | 5 | 25 | 70 |
| NT2755 † | 2" | 5 | 25 | 100 |
| NT2756 * † | 2-1/2" | - | 5 | 275 |
| NT2757 * | 3" | - | 3 | 333 |
| NT2758 * † | 3-1/2" | - | 3 | 475 |
| NT2759 * † | 4" | - | 2 | 547 |
| NT2770* | 5" | - | 1 | 1100 |

With Insulated Throat

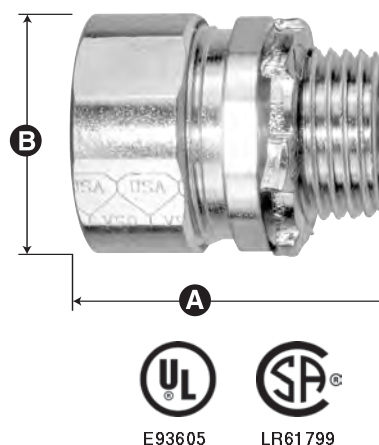
| Cat. # | Size | Unit Ctn | Std Pkg | WT/100 |
|-------------|--------|----------|---------|--------|
| NT2750B | 1/2" | 25 | 250 | 13 |
| NT2751B | 3/4" | 20 | 100 | 20 |
| NT2752B | 1" | 5 | 50 | 36 |
| NT2753B | 1-1/4" | 5 | 25 | 48 |
| NT2754B | 1-1/2" | 5 | 25 | 70 |
| NT2755B † | 2" | 5 | 25 | 100 |
| NT2756B * † | 2-1/2" | - | 5 | 275 |
| NT2757B * | 3" | - | 3 | 333 |
| NT2758B * † | 3-1/2" | - | 3 | 475 |
| NT2759B * † | 4" | - | 2 | 547 |
| NT2770B* | 5" | - | 1 | 1100 |

Rigid-IMC Couplings Compression Type - (No Thread)

- Industrial specification grade, screw machined steel, zinc plated
- UL Listed Rain Tight and Concrete Tight 1/2" - 2"
- UL Listed Concrete Tight 2-1/2" - 4"

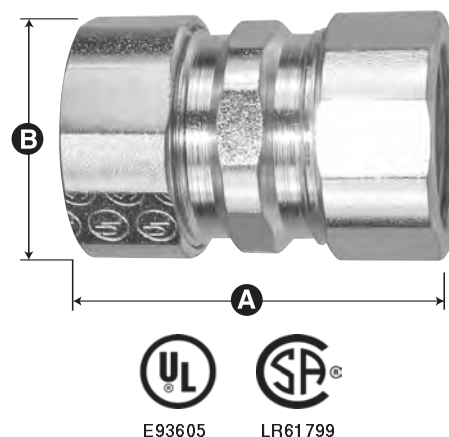
| Cat. # | Size | Unit Ctn | Std Pkg | WT/100 |
|------------|--------|----------|---------|--------|
| NT2760 | 1/2" | 20 | 100 | 16 |
| NT2761 | 3/4" | 20 | 100 | 24 |
| NT2762 | 1" | 5 | 50 | 48 |
| NT2763 | 1-1/4" | 5 | 25 | 64 |
| NT2764 | 1-1/2" | 5 | 25 | 110 |
| NT2765 † | 2" | 3 | 15 | 140 |
| NT2766 * † | 2-1/2" | - | 5 | 401 |
| NT2767 * | 3" | - | 3 | 558 |
| NT2768 * † | 3-1/2" | - | 2 | 718 |
| NT2769 * † | 4" | - | 2 | 819 |
| NT2780* | 5" | - | 1 | 1350 |

* Malleable Iron † UL Pending for IMC conduit



Dimensional Table

| Cat. # | A Length | B Diameter |
|----------|-------------|---------------|
| NT2750/B | 1.35 | 1.17 |
| NT2751/B | 1.48 | 1.43 |
| NT2752/B | 1.58 | 1.75 |
| NT2753/B | 1.86 | 2.15 |
| NT2754/B | 1.94 | 2.38 |
| NT2755/B | 2.49 | 3.38 |
| NT2756/B | 3.88 | 3.93 |
| NT2757/B | 4.00 | 4.66 |
| NT2758/B | 4.31 | 5.20 |
| NT2759/B | 4.50 | 5.75 |
| NT2770/B | 5.00 | 7.00 |



Dimensional Table

| Cat. # | A Length | B Diameter |
|--------|-------------|---------------|
| NT2760 | 1.74 | 1.17 |
| NT2761 | 1.82 | 1.43 |
| NT2762 | 1.95 | 1.75 |
| NT2763 | 2.65 | 2.15 |
| NT2764 | 2.70 | 2.37 |
| NT2765 | 2.93 | 3.38 |
| NT2766 | 5.38 | 3.93 |
| NT2767 | 5.63 | 4.66 |
| NT2768 | 5.69 | 5.20 |
| NT2769 | 5.88 | 5.75 |
| NT2780 | 7.00 | 6.38 |

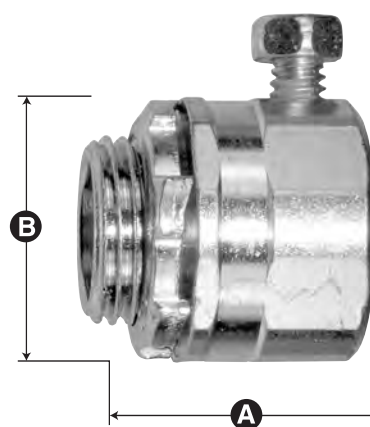
Rigid-IMC Connectors

Set Screw Type

- Industrial specification grade, screw machined steel, zinc plated
- No thread
- UL Listed Concrete Tight when taped



| Cat. # | Size | Unit Ctn | Std Pkg | WT/100 |
|----------|--------|----------|---------|--------|
| SNT1750 | 1/2" | 20 | 200 | 13 |
| SNT1751 | 3/4" | 20 | 100 | 17 |
| SNT1752 | 1" | 5 | 50 | 28 |
| SNT1753 | 1-1/4" | 5 | 25 | 43 |
| SNT1754 | 1-1/2" | 5 | 25 | 55 |
| SNT1755 | 2" | 5 | 25 | 70 |
| SNT1756* | 2-1/2" | - | 6 | 151 |
| SNT1757* | 3" | - | 6 | 192 |
| SNT1758* | 3-1/2" | - | 3 | 261 |
| SNT1759* | 4" | - | 3 | 295 |



Dimensional Table

| Cat. # | A Length | B Diameter |
|-----------|----------|------------|
| SNT1750/B | 1.13 | 1.13 |
| SNT1751/B | 1.25 | 1.38 |
| SNT1752/B | 1.50 | 1.63 |
| SNT1753/B | 1.75 | 2.00 |
| SNT1754/B | 1.88 | 2.25 |
| SNT1755/B | 2.00 | 2.75 |
| SNT1756/B | 2.94 | 3.22 |
| SNT1757/B | 3.06 | 3.84 |
| SNT1758/B | 3.38 | 4.36 |
| SNT1759/B | 3.56 | 4.86 |

With Insulated Throat

| Cat. # | Size | Unit Ctn | Std Pkg | WT/100 |
|-----------|--------|----------|---------|--------|
| SNT1750B | 1/2" | 20 | 200 | 13 |
| SNT1751B | 3/4" | 20 | 100 | 17 |
| SNT1752B | 1" | 5 | 50 | 28 |
| SNT1753B | 1-1/4" | 5 | 25 | 43 |
| SNT1754B | 1-1/2" | 5 | 25 | 55 |
| SNT1755B | 2" | 5 | 25 | 70 |
| SNT1756B* | 2-1/2" | - | 6 | 151 |
| SNT1757B* | 3" | - | 6 | 192 |
| SNT1758B* | 3-1/2" | - | 3 | 261 |
| SNT1759B* | 4" | - | 3 | 295 |

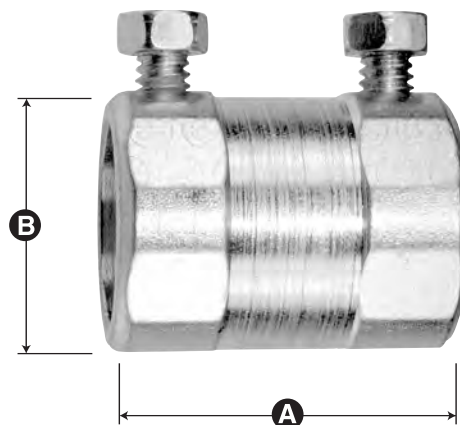
Rigid-IMC Couplings

Set Screw Type

- Industrial specification grade, screw machined steel, zinc plated
- No thread
- UL Listed Concrete Tight when taped



| Cat. # | Size | Unit Ctn | Std Pkg | WT/100 |
|----------|--------|----------|---------|--------|
| SNT1760 | 1/2" | 20 | 100 | 19 |
| SNT1761 | 3/4" | 20 | 100 | 24 |
| SNT1762 | 1" | 5 | 50 | 37 |
| SNT1763 | 1-1/4" | 5 | 25 | 65 |
| SNT1764 | 1-1/2" | 5 | 25 | 72 |
| SNT1765 | 2" | 3 | 15 | 111 |
| SNT1766* | 2-1/2" | - | 5 | 166 |
| SNT1767* | 3" | - | 3 | 225 |
| SNT1768* | 3-1/2" | - | 2 | 260 |
| SNT1769* | 4" | - | 2 | 295 |



Dimensional Table

| Cat. # | A Length | B Diameter |
|---------|----------|------------|
| SNT1760 | 1.50 | 1.13 |
| SNT1761 | 1.50 | 1.38 |
| SNT1762 | 1.88 | 1.63 |
| SNT1763 | 2.18 | 2.00 |
| SNT1764 | 2.63 | 2.25 |
| SNT1765 | 2.75 | 2.75 |
| SNT1766 | 3.76 | 3.22 |
| SNT1767 | 3.81 | 3.84 |
| SNT1768 | 4.63 | 4.36 |
| SNT1769 | 4.93 | 4.86 |

* Malleable Iron

Reducing Bushings

- Industrial specification grade, screw machined steel, zinc plated
- (N.P.S.) Straight Thread
- For reducing the threaded opening in conduit bodies or any female threaded fitting

Steel, Zinc Plated

| Cat. # | Size | Unit Ctn | Std Pkg | WT/100 |
|----------|-----------------|----------|---------|--------|
| RB5038 | 1/2" x 3/8" | 100 | 1000 | 2 |
| RB7550 | 3/4" x 1/2" | 100 | 500 | 14 |
| RB10050 | 1" x 1/2" | 50 | 250 | 12 |
| RB10075 | 1" x 3/4" | 50 | 250 | 12 |
| RB12550 | 1-1/4" x 1/2" | 20 | 200 | 28 |
| RB12575 | 1-1/4" x 3/4" | 20 | 200 | 22 |
| RB125100 | 1-1/4" x 1" | 20 | 200 | 14 |
| RB15050 | 1-1/2" x 1/2" | 10 | 100 | 42 |
| RB15075 | 1-1/2" x 3/4" | 10 | 100 | 36 |
| RB150100 | 1-1/2" x 1" | 10 | 100 | 28 |
| RB150125 | 1-1/2" x 1-1/4" | 10 | 100 | 12 |
| RB20050 | 2" x 1/2" | 5 | 50 | 84 |
| RB20075 | 2" x 3/4" | 5 | 50 | 76 |
| RB200100 | 2" x 1" | 5 | 50 | 68 |
| RB200125 | 2" x 1-1/4" | 5 | 50 | 48 |
| RB200150 | 2" x 1-1/2" | 5 | 50 | 32 |

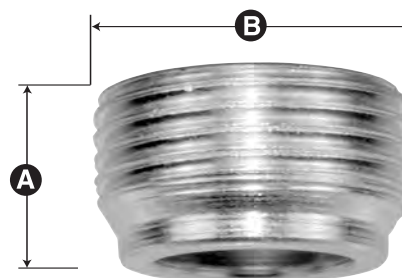
Dimensional Table

| Cat. # | A Length | B Diameter |
|----------|-------------|---------------|
| RB5038 | .563 | .750 |
| RB7550 | .650 | .920 |
| RB10050 | .715 | 1.125 |
| RB10075 | .715 | 1.125 |
| RB12550 | .820 | 1.470 |
| RB12575 | .820 | 1.470 |
| RB125100 | .820 | 1.470 |
| RB15050 | .850 | 1.700 |
| RB15075 | .850 | 1.700 |
| RB150100 | .850 | 1.700 |
| RB150125 | .850 | 1.700 |
| RB20050 | .970 | 2.230 |
| RB20075 | .970 | 2.230 |
| RB200100 | .970 | 2.230 |
| RB200125 | .970 | 2.230 |
| RB200150 | .970 | 2.230 |



Malleable Iron

| Cat. # | Size | Unit Ctn | Std Pkg | WT/100 |
|----------|-----------------|----------|---------|--------|
| RB250100 | 2-1/2" x 1" | - | 10 | 130 |
| RB250125 | 2-1/2" x 1-1/4" | - | 10 | 140 |
| RB250150 | 2-1/2" x 1-1/2" | - | 10 | 140 |
| RB250200 | 2-1/2" x 2" | - | 10 | 110 |
| RB300125 | 3" x 1-1/4" | - | 10 | 200 |
| RB300150 | 3" x 1-1/2" | - | 10 | 240 |
| RB300200 | 3" x 2" | - | 10 | 200 |
| RB300250 | 3" x 2-1/2" | - | 10 | 170 |
| RB350150 | 3-1/2" x 1-1/2" | - | 10 | 230 |
| RB350200 | 3-1/2" x 2" | - | 10 | 230 |
| RB350250 | 3-1/2" x 2-1/2" | - | 10 | 270 |
| RB350300 | 3-1/2" x 3" | - | 10 | 250 |
| RB400200 | 4" x 2" | - | 10 | 350 |
| RB400250 | 4" x 2-1/2" | - | 10 | 380 |
| RB400300 | 4" x 3" | - | 10 | 320 |
| RB400350 | 4" x 3-1/2" | - | 10 | 290 |



Dimensional Table

| Cat. # | A Length | B Diameter |
|----------|-------------|---------------|
| RB250100 | 1.563 | 2.750 |
| RB250125 | 1.563 | 2.845 |
| RB250150 | 1.433 | 2.900 |
| RB250200 | 1.433 | 2.930 |
| RB300125 | 1.680 | 3.445 |
| RB300150 | 1.700 | 3.750 |
| RB300200 | 1.635 | 3.250 |
| RB300250 | 1.563 | 3.875 |
| RB350150 | 1.750 | 3.900 |
| RB350200 | 1.750 | 3.900 |
| RB350250 | 1.625 | 4.180 |
| RB350300 | 1.563 | 4.630 |
| RB400200 | 2.070 | 4.750 |
| RB400250 | 2.070 | 4.750 |
| RB400300 | 2.125 | 4.750 |
| RB400350 | 2.250 | 4.750 |

Reducing Bushings

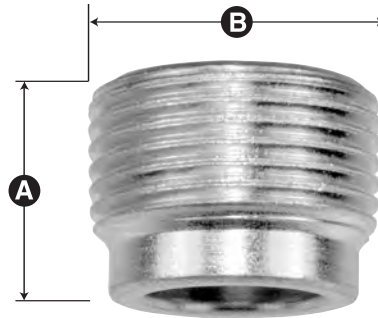
- Industrial specification grade, screw machined steel, zinc plated
- (N.P.T.) Tapered thread
- UL approved for hazardous locations

Steel

| Cat. # | Size | Unit Ctn | Std Pkg | WT/100 |
|--------|-----------------|----------|---------|--------|
| RB21H | 3/4" x 1/2" | 50 | 500 | 6 |
| RB31H | 1" x 1/2" | 50 | 250 | 14 |
| RB32H | 1" x 3/4" | 50 | 250 | 8 |
| RB41H | 1-1/4" x 1/2" | 20 | 200 | 36 |
| RB42H | 1-1/4" x 3/4" | 20 | 200 | 28 |
| RB43H | 1-1/4" x 1" | 20 | 200 | 18 |
| RB51H | 1-1/2" x 1/2" | 10 | 100 | 54 |
| RB52H | 1-1/2" x 3/4" | 10 | 100 | 46 |
| RB53H | 1-1/2" x 1" | 10 | 100 | 36 |
| RB54H | 1-1/2" x 1-1/4" | 10 | 100 | 16 |
| RB61H | 2" x 1/2" | 5 | 50 | 184 |
| RB62H | 2" x 3/4" | 5 | 50 | 168 |
| RB63H | 2" x 1" | 5 | 50 | 144 |
| RB64H | 2" x 1-1/4" | 5 | 50 | 104 |
| RB65H | 2" x 1-1/2" | 5 | 50 | 60 |

Class I, Groups C and D; Class II, Groups E, F, and G

Reducing bushings, Series RB, Cat nos. RB followed by 2, 3, 4, 5, or 6, followed by 1, 2, 3, 4, or 5, followed by H. Conduit sizes 1/2" to 2" incl.



E138231

Dimensional Table

| Cat. # | A Length | B Diameter |
|--------|-------------|---------------|
| RB21H | .650 | .920 |
| RB31H | .715 | 1.125 |
| RB32H | .715 | 1.125 |
| RB41H | .820 | 1.470 |
| RB42H | .820 | 1.470 |
| RB43H | .820 | 1.470 |
| RB51H | .850 | 1.700 |
| RB52H | .850 | 1.700 |
| RB53H | .850 | 1.700 |
| RB54H | .850 | 1.700 |
| RB61H | .970 | 2.230 |
| RB62H | .970 | 2.230 |
| RB63H | .970 | 2.230 |
| RB64H | .970 | 2.230 |
| RB65H | .970 | 2.230 |



Since 1946

Aluminum Reducing Bushings

Size Range 3/4x1/2" to 2x1-1/2"

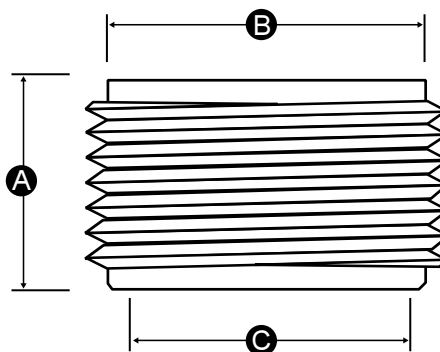
- Threaded for Rigid / IMC Conduit
- NPT tapered threads
- Smooth internal bushing provides wire protection
- Explosion proof, approved for hazardous locations
- Dust-ignition proof



UL rated suitable for hazardous locations
 Class I, Div. 1 and 2, Groups A, B, C, D
 Class I, Zone 1 and 2, Groups IIC, IIB, IIA
 Class II, Div. 1 and 2; Groups E, F, G
 Class III, Div. 1 and 2

Aluminum

| Cat. # | Size | A OAL | B ø | C ø | Unit Qty | Std. Pkg | Wt./per 100 |
|--------|-----------------|----------|--------|--------|-------------|-------------|----------------|
| RBA21H | 3/4" x 1/2" | .75" | .94" | 0.60" | 50 | 500 | 3 |
| RBA31H | 1" x 1/2" | .75" | 1.15" | 0.60" | 50 | 250 | 6 |
| RBA32H | 1" x 3/4" | .75" | 1.15" | 0.80" | 50 | 250 | 4 |
| RBA41H | 1 1/4" x 1/2" | .81" | 1.52" | 0.60" | 20 | 200 | 12 |
| RBA42H | 1 1/4" x 3/4" | .81" | 1.52" | 0.80" | 20 | 200 | 10 |
| RBA43H | 1 1/4" x 1" | .88" | 1.52" | 1.02" | 20 | 200 | 7 |
| RBA51H | 1 1/2" x 1/2" | .88" | 1.75" | 0.60" | 10 | 100 | 19 |
| RBA52H | 1 1/2" x 3/4" | .88" | 1.75" | 0.80" | 10 | 100 | 16 |
| RBA53H | 1 1/2" x 1" | .88" | 1.75" | 1.02" | 10 | 100 | 13 |
| RBA54H | 1 1/2" x 1 1/4" | .94" | 1.75" | 1.36" | 10 | 100 | 7 |
| RBA61H | 2" x 1/2" | .88" | 2.23" | 0.60" | 5 | 50 | 33 |
| RBA62H | 2" x 3/4" | .88" | 2.23" | 0.80" | 5 | 50 | 31 |
| RBA63H | 2" x 1" | .88" | 2.23" | 1.02" | 5 | 50 | 27 |
| RBA64H | 2" x 1 1/4" | .94" | 2.23" | 1.36" | 5 | 50 | 22 |
| RBA65H | 2" x 1 1/2" | 1.00" | 2.23" | 1.60" | 5 | 50 | 17 |



Since 1946

Rigid Couplings

Three Piece Type

- Industrial specification grade, screw machined steel, zinc plated
- 1/2" & 3/4" Steel UL Rated Liquid Tight & Concrete Tight
- 1" - 4" UL Rated Concrete Tight



E93605



LR61799

Steel

| Cat. # | Size | Unit Ctn | Std Pkg | WT/100 |
|--------|--------|----------|---------|--------|
| ER50 | 1/2" | 20 | 200 | 15 |
| ER75 | 3/4" | 20 | 100 | 17 |
| ER100 | 1" | 5 | 50 | 36 |
| ER125 | 1-1/4" | 5 | 25 | 52 |
| ER150 | 1-1/2" | 5 | 25 | 68 |
| ER200 | 2" | 5 | 25 | 90 |

Dimensional Table

| Cat. # | A Length | B Diameter |
|--------|----------|------------|
| ER50 | 1.43 | 1.31 |
| ER75 | 1.52 | 1.61 |
| ER100 | 1.70 | 2.13 |
| ER125 | 2.13 | 2.40 |
| ER150 | 2.18 | 2.89 |
| ER200 | 2.36 | 3.40 |

Malleable Iron

| Cat. # | Size | Unit Ctn | Std Pkg | WT/100 |
|--------|--------|----------|---------|--------|
| ER50M | 1/2" | 20 | 200 | 36 |
| ER75M | 3/4" | 20 | 100 | 32 |
| ER100M | 1" | 5 | 50 | 55 |
| ER125M | 1-1/4" | 5 | 25 | 119 |
| ER150M | 1-1/2" | 5 | 25 | 140 |
| ER200M | 2" | 5 | 25 | 199 |
| ER250M | 2-1/2" | - | 5 | 361 |
| ER300M | 3" | - | 5 | 454 |
| ER350M | 3-1/2" | - | 4 | 637 |
| ER400M | 4" | - | 2 | 811 |

Dimensional Table

| Cat. # | A Length | B Diameter |
|--------|----------|------------|
| ER50M | 1.43 | 1.31 |
| ER75M | 1.52 | 1.61 |
| ER100M | 1.70 | 2.13 |
| ER125M | 2.13 | 2.40 |
| ER150M | 2.18 | 2.89 |
| ER200M | 2.36 | 3.40 |
| ER250M | 2.52 | 4.03 |
| ER300M | 2.58 | 4.62 |
| ER350M | 2.65 | 5.35 |
| ER400M | 3.42 | 5.87 |



Since 1946

Chase Nipples

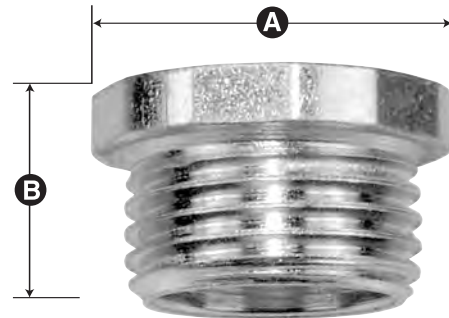
- Industrial specification grade, screw machined steel, zinc plated
- Rigid conduit thread

Steel

| Cat. # | Size | Unit Ctn | Std Pkg | WT/100 |
|--------|------|----------|---------|--------|
| CN50 | 1/2" | 100 | 1000 | 3 |
| CN75 | 3/4" | 50 | 500 | 4 |
| CN100 | 1" | 20 | 200 | 9 |

Dimensional Table

| Cat. # | A | | B | |
|--------|----------|--------|----------|--------|
| | Diameter | Length | Diameter | Length |
| CN50 | 1.13 | .41 | | |
| CN75 | 1.38 | .41 | | |
| CN100 | 1.69 | .66 | | |



E93605

Combination Couplings

EMT(Compression) to Rigid (Threaded)

- Rain and Concrete Tight

Steel

| Cat. # | Size | Unit Ctn | Std Pkg | WT/100 |
|--------|------|----------|---------|--------|
| ETR50 | 1/2" | 25 | 250 | 19 |
| ETR75 | 3/4" | 10 | 100 | 27 |

Dimensional Table

| Cat. # | A | | B | | C |
|--------|--------------|---------------|---------------|--------|--------|
| | Nut Diameter | Body Diameter | Body Diameter | Length | Length |
| ETR50 | .94 | .73 | | 1.15 | |
| ETR75 | 1.17 | .93 | | 1.25 | |



Since 1946

Conduit Locknuts

(UL & CSA listed)

- Industrial specification grade steel
- Heavier steel construction
- Electro zinc plated for corrosion protection
- Fastens threaded conduit to unthreaded opening in a box or enclosure
- Superior clean threads for tightening without distortion
- Rugged tangs for extensive reach and ensured bonding

| Cat. # | Size | Unit Ctn | Std Pkg | WT/100 |
|--------|--------|----------|---------|--------|
| LN25 | 1/4" | 200 | 2000 | 1 |
| LN38 | 3/8" | 200 | 2000 | 1 |
| LN50 | 1/2" | 200 | 2000 | 1 |
| LN75 | 3/4" | 100 | 1000 | 2 |
| LN100 | 1" | 50 | 500 | 4 |
| LN125 | 1-1/4" | 50 | 500 | 7 |
| LN150 | 1-1/2" | 25 | 250 | 8 |
| LN200 | 2" | 25 | 250 | 9 |

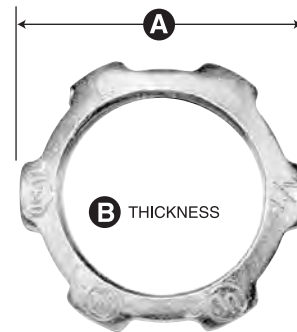
* 2 1/2" to 6" UL Listed Locknuts available upon request.

Conduit Locknuts

(Non-UL)

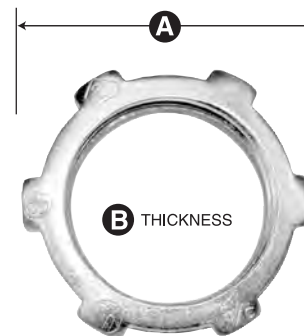
- Industrial specification grade steel
- Regular fitting Locknut
- Zinc plated
- Fastens threaded conduit to unthreaded opening in a box or enclosure

| Cat. # | Size | Unit Ctn | Std Pkg | WT/100 |
|--------|--------|----------|---------|--------|
| LN50C | 1/2" | 200 | 2000 | 1 |
| LN75C | 3/4" | 100 | 1000 | 2 |
| LN100C | 1" | 50 | 500 | 3 |
| LN125C | 1-1/4" | 50 | 500 | 4 |
| LN150C | 1-1/2" | 25 | 250 | 6 |
| LN200C | 2" | 25 | 250 | 8 |
| LN250 | 2-1/2" | - | 30 | 17 |
| LN300 | 3" | - | 25 | 24 |
| LN350 | 3-1/2" | - | 25 | 36 |
| LN400 | 4" | - | 25 | 48 |
| LN500 | 5" | - | 10 | 110 |
| LN600 | 6" | - | 10 | 140 |



Dimensional Table

| Cat. # | A Diameter | B Thickness |
|--------|------------|-------------|
| LN25 | .750 | .125 |
| LN38 | .938 | .125 |
| LN50 | 1.140 | .125 |
| LN75 | 1.420 | .140 |
| LN100 | 1.770 | .170 |
| LN125 | 2.281 | .170 |
| LN150 | 2.598 | .170 |
| LN200 | 3.175 | .187 |



Dimensional Table

| Cat. # | A Diameter | B Thickness |
|--------|------------|-------------|
| LN50 | 1.152 | .100 |
| LN75 | 1.450 | .115 |
| LN100 | 1.750 | .140 |
| LN125 | 2.100 | .140 |
| LN150 | 2.400 | .140 |
| LN200 | 2.950 | .140 |
| LN250 | 3.550 | .185 |
| LN300 | 4.200 | .185 |
| LN350 | 4.750 | .185 |
| LN400 | 5.350 | .185 |
| LN500 | 6.674 | .400 |
| LN600 | 7.937 | .400 |

Sealing Locknuts

- Zinc plated with PVC Molded Gasket



Steel

| Cat. # | Size | Unit Ctn | Std Pkg | WT/100 |
|--------|--------|----------|---------|--------|
| SL1* | 1/2" | 100 | 1000 | 2 |
| SL2* | 3/4" | 100 | 1000 | 3 |
| SL3* | 1" | 50 | 500 | 2 |
| SL4* | 1-1/4" | 25 | 250 | 8 |
| SL5* | 1-1/2" | 25 | 250 | 8 |
| SL6* | 2" | 10 | 100 | 12 |
| SL7 | 2-1/2" | - | 25 | 20 |
| SL8 | 3" | - | 25 | 20 |
| SL9 | 3-1/2" | - | 10 | 24 |
| SL10 | 4" | - | 10 | 24 |
| SL11 | 5" | - | 5 | 95 |
| SL12 | 6" | - | 5 | 125 |

* UL & CSA Listed



Dimensional Table

| Cat. # | A Diameter | B Thickness |
|--------|------------|-------------|
| SL1 | 1.12 | .26 |
| SL2 | 1.37 | .27 |
| SL3 | 1.75 | .28 |
| SL4 | 2.06 | .32 |
| SL5 | 2.37 | .32 |
| SL6 | 2.87 | .32 |
| SL7 | 3.43 | .32 |
| SL8 | 4.12 | .32 |
| SL9 | 4.62 | .32 |
| SL10 | 5.18 | .32 |

Grounding Locknuts

- Threaded for Rigid/IMC conduit
- Used to insure positive bonding and fastening to a box or enclosure
- Required for installations where severe vibration is encountered
- Solid steel construction
- Zinc plated for corrosion protection



| Cat. # | Size | Unit Ctn | Std Pkg | WT/100 |
|--------|--------|----------|---------|--------|
| GRL50 | 1/2" | 100 | 1000 | 3 |
| GRL75 | 3/4" | 100 | 1000 | 3 |
| GRL100 | 1" | 50 | 500 | 5 |
| GRL125 | 1-1/4" | 50 | 250 | 6 |
| GRL150 | 1-1/2" | 25 | 250 | 9 |
| GRL200 | 2" | 20 | 200 | 14 |
| GRL250 | 2-1/2" | - | 25 | 16 |
| GRL300 | 3" | - | 20 | 28 |
| GRL350 | 3-1/2" | - | 10 | 36 |
| GRL400 | 4" | - | 10 | 40 |



Dimensional Table

| Cat. # | A Diameter | B Thickness |
|--------|------------|-------------|
| GRL50 | 1.340 | .170 |
| GRL75 | 1.575 | .170 |
| GRL100 | 1.890 | .170 |
| GRL125 | 2.300 | .170 |
| GRL150 | 2.600 | .170 |
| GRL200 | 3.100 | .187 |
| GRL250 | 3.562 | .375 |
| GRL300 | 4.250 | .375 |
| GRL350 | 4.803 | .375 |
| GRL400 | 5.402 | .375 |

Conduit Hangers with Bolts

- To fasten and secure EMT or rigid conduit to threaded rod, insulator supports, or directly to mounting surface
- Furnished with nut and bolt to accelerate installation
- For use in wet or dry locations
- Bright Electro Zinc Finish



Selection Table

| Cat. # | Trade Size | Conduit Size | | Unit / CTN | Std / Pkg | WT/100 |
|--------|------------|--------------|--------|------------|-----------|--------|
| | | Rigid | EMT | | | |
| CHBO | 0 | 3/8" - 1/2" | 1/2" | 50 | 250 | 7 |
| CHB1 | 1 | 3/4" | 3/4" | 50 | 250 | 7 |
| CHB2 | 2 | 1" | 1" | 25 | 125 | 8 |
| CHB25 | 2-1/2 | - | 1-1/4" | 20 | 100 | 11 |
| CHB3 | 3 | 1-1/4" | 1-1/2" | 20 | 100 | 11 |
| CHB4 | 4 | 1-1/2" | - | 10 | 50 | 19 |
| CHB5 | 5 | 2" | 2" | 10 | 50 | 22 |
| CHB6 | 6 | 2-1/2" | 2-1/2" | - | 25 | 28 |
| CHB7 | 7 | 3" | 3" | - | 20 | 31 |
| CHB8 | 8 | 3-1/2" | 3-1/2" | - | 10 | 32 |
| CHB9 | 9 | 4" | 4" | - | 10 | 37 |

* Made in America Product also available - add "US" Suffix to catalog number when ordering.



Since 1946

Rigid Steel Straps

- To securely fasten and support Rigid or Intermediate metal conduit to the mounting surface
- For use in wet or dry locations
- Bright electro zinc finish for corrosion protection

One-Hole Rigid Type

| Cat. # | Size | Unit Ctn | Std Pkg | WT/100 |
|----------|--------|----------|---------|--------|
| CSR251 | 1/4" | 100 | 1000 | 2 |
| CSR371 | 3/8" | 100 | 1000 | 3 |
| CSR501 | 1/2" | 50 | 500 | 4 |
| CSR751 | 3/4" | 50 | 250 | 5 |
| CSR1001 | 1" | 50 | 250 | 8 |
| CSR1251 | 1-1/4" | 25 | 125 | 11 |
| CSR1501 | 1-1/2" | 20 | 100 | 17 |
| CSR2001 | 2" | 10 | 50 | 22 |
| CSER2501 | 2-1/2" | - | 20 | 42 |
| CSER3001 | 3" | - | 10 | 49 |
| CSER3501 | 3-1/2" | - | 10 | 71 |
| CSER4001 | 4" | - | 10 | 78 |



One-Hole BX Type

| Cat. # | Size | Unit Ctn | Std Pkg | WT/100 |
|---------|---------------------------|----------|---------|--------|
| CSBX381 | 12-2, 12-3, 10-2, 10-3 | 100 | 1000 | 1 |

Two-Hole Rigid Type

| Cat. # | Size | Unit Ctn | Std Pkg | WT/100 |
|-----------|--------|----------|---------|--------|
| CSR502* | 1/2" | 50 | 500 | 2 |
| CSR752* | 3/4" | 50 | 250 | 3 |
| CSR1002* | 1" | 50 | 250 | 5 |
| CSR1252* | 1-1/4" | 25 | 125 | 7 |
| CSR1502* | 1-1/2" | 20 | 100 | 12 |
| CSR2002* | 2" | 10 | 50 | 15 |
| CSER2502* | 2-1/2" | - | 20 | 17 |
| CSER3002* | 3" | - | 10 | 23 |
| CSER3502* | 3-1/2" | - | 10 | 26 |
| CSER4002* | 4" | - | 10 | 33 |



Reducing Washers

- For use when a raceway is smaller in trade size than the trade size of the knockout it is designed to enter
- To be used in pairs inside and outside of the box or enclosure
- Solid steel construction for installation integrity
- Bright electro zinc finish for corrosion protection

| Cat. # | Size | Unit Ctn | Std Pkg | WT/100 |
|----------|-----------------|----------|---------|--------|
| RW7550 | 3/4" x 1/2" | 200 | 2000 | 1 |
| RW10050 | 1" x 1/2" | 100 | 1000 | 2 |
| RW10075 | 1" x 3/4" | 100 | 1000 | 1 |
| RW12550 | 1-1/4" x 1/2" | 100 | 1000 | 3 |
| RW12575 | 1-1/4" x 3/4" | 100 | 1000 | 2 |
| RW125100 | 1-1/4" x 1" | 100 | 1000 | 2 |
| RW15050 | 1-1/2" x 1/2" | 50 | 500 | 5 |
| RW15075 | 1-1/2" x 3/4" | 50 | 500 | 5 |
| RW150100 | 1-1/2" x 1" | 50 | 500 | 4 |
| RW150125 | 1-1/2" x 1-1/4" | 50 | 500 | 3 |
| RW20050 | 2" x 1/2" | 50 | 500 | 8 |
| RW20075 | 2" x 3/4" | 50 | 500 | 8 |
| RW200100 | 2" x 1" | 50 | 500 | 7 |
| RW200125 | 2" x 1-1/4" | 50 | 500 | 6 |
| RW200150 | 2" x 1-1/2" | 50 | 500 | 6 |

| Cat. # | Size | Unit Ctn | Std Pkg | WT/100 |
|----------|-----------------|----------|---------|--------|
| RW25050 | 2-1/2" x 1/2" | 25 | 250 | 11 |
| RW25075 | 2-1/2" x 3/4" | 25 | 250 | 11 |
| RW250100 | 2-1/2" x 1" | 25 | 250 | 10 |
| RW250125 | 2-1/2" x 1-1/4" | 25 | 250 | 9 |
| RW250150 | 2-1/2" x 1-1/2" | 25 | 250 | 8 |
| RW250200 | 2-1/2" x 2" | 25 | 250 | 7 |
| RW30050 | 3" x 1/2" | 25 | 125 | 21 |
| RW30075 | 3" x 3/4" | 25 | 125 | 21 |
| RW300100 | 3" x 1" | 25 | 125 | 20 |
| RW300125 | 3" x 1-1/4" | 25 | 125 | 19 |
| RW300150 | 3" x 1-1/2" | 25 | 125 | 18 |
| RW300200 | 3" x 2" | 25 | 125 | 16 |
| RW300250 | 3" x 2-1/2" | 25 | 125 | 13 |



| Cat. # | Size | Unit Ctn | Std Pkg | WT/100 |
|----------|-----------------|----------|---------|--------|
| RW35050 | 3-1/2" x 1/2" | 10 | 50 | 35 |
| RW35075 | 3-1/2" x 3/4" | 10 | 50 | 35 |
| RW350100 | 3-1/2" x 1" | 10 | 50 | 34 |
| RW350125 | 3-1/2" x 1-1/4" | 10 | 50 | 32 |
| RW350150 | 3-1/2" x 1-1/2" | 10 | 50 | 31 |
| RW350200 | 3-1/2" x 2" | 10 | 50 | 28 |
| RW350250 | 3-1/2" x 2-1/2" | 10 | 50 | 24 |
| RW350300 | 3-1/2" x 3" | 10 | 50 | 18 |
| RW40050 | 4" x 1/2" | 10 | 50 | 43 |
| RW40075 | 4" x 3/4" | 10 | 50 | 42 |
| RW400100 | 4" x 1" | 10 | 50 | 41 |
| RW400125 | 4" x 1-1/4" | 10 | 50 | 40 |
| RW400150 | 4" x 1-1/2" | 10 | 50 | 38 |
| RW400200 | 4" x 2" | 10 | 50 | 35 |
| RW400250 | 4" x 2-1/2" | 10 | 50 | 31 |
| RW400300 | 4" x 3" | 10 | 50 | 25 |
| RW400350 | 4" x 3-1/2" | 10 | 50 | 20 |



Since 1946

Plastic Insulating Bushings

- Polypropylene - Impact Resistant
- Temperature Rated at 105°
- Flame Retardant
- Threaded and used with locknut to terminate rigid or IMC conduit to box
- Smooth rounded surface prevents damage to wire insulation at raceway entrance

| Cat. # | Size | Unit Ctn | Std Pkg | WT/100 |
|--------|--------|----------|---------|--------|
| PIB50 | 1/2" | 100 | 1000 | 1 |
| PIB75 | 3/4" | 100 | 500 | 2 |
| PIB100 | 1" | 50 | 250 | 2 |
| PIB125 | 1-1/4" | - | 100 | 2 |
| PIB150 | 1-1/2" | - | 100 | 2 |
| PIB200 | 2" | - | 50 | 3 |
| PIB250 | 2-1/2" | - | 25 | 4 |
| PIB300 | 3" | - | 25 | 5 |
| PIB350 | 3-1/2" | - | 25 | 7 |
| PIB400 | 4" | - | 20 | 8 |
| PIB500 | 5" | - | 5 | 10 |
| PIB600 | 6" | - | 5 | 11 |



| Cat. # | A | B |
|--------|------|-----|
| PIB50 | 1.05 | .36 |
| PIB75 | 1.29 | .40 |
| PIB100 | 1.63 | .49 |
| PIB125 | 1.93 | .48 |
| PIB150 | 2.18 | .48 |
| PIB200 | 2.64 | .54 |
| PIB250 | 3.25 | .63 |
| PIB300 | 3.90 | .68 |
| PIB350 | 4.41 | .68 |
| PIB400 | 4.93 | .68 |
| PIB500 | 5.98 | .77 |
| PIB600 | 7.06 | .77 |



Since 1946

Metal Knockout Seals Industrial Grade

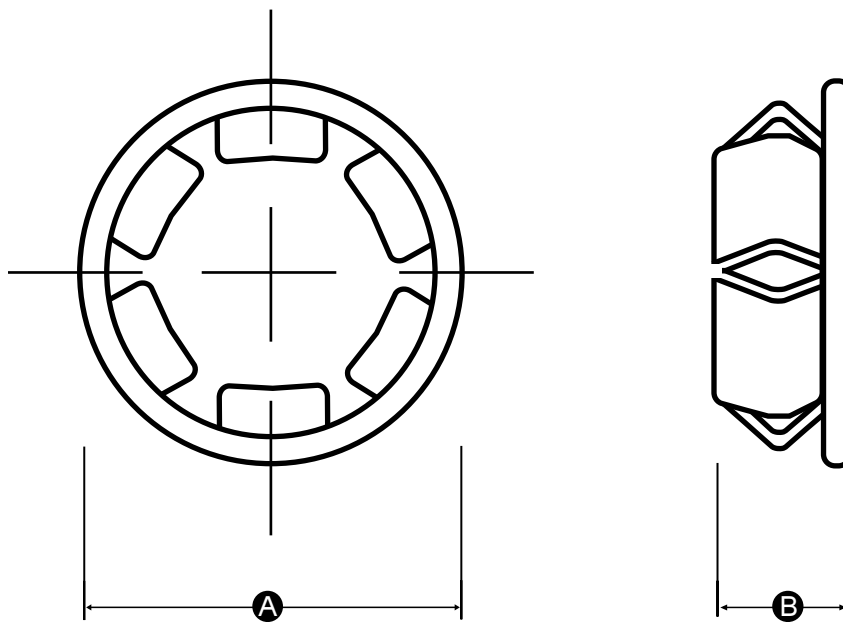
Size Range 1/2" to 2"

- Provides a safe and secure closure to unused openings in boxes, pipe, enclosures and panel boards.
- One piece construction with locking fingers "snap" into holes with fingertip pressure.
- Bright Steel Zinc Plated



Steel Zinc Plated

| Cat. # | Size | A OAL | B ø | Unit Qty | Std. Pkg | Wt./per 100 |
|--------|--------|----------|--------|-------------|-------------|----------------|
| KOS50 | 1/2" | 1.09" | 0.39" | 100 | 1000 | 2 |
| KOS75 | 3/4" | 1.23" | 0.31" | 100 | 1000 | 2 |
| KOS100 | 1" | 1.48" | 0.33" | 50 | 500 | 3 |
| KOS125 | 1 1/4" | 1.81" | 0.36" | 50 | 500 | 3 |
| KOS150 | 1 1/2" | 2.22" | 0.33" | 50 | 250 | 4 |
| KOS200 | 2" | 2.68" | 0.31" | 25 | 125 | 6 |



Nylon Knockout Insulated Bushings

Size Range 1/2" to 2 1/2"

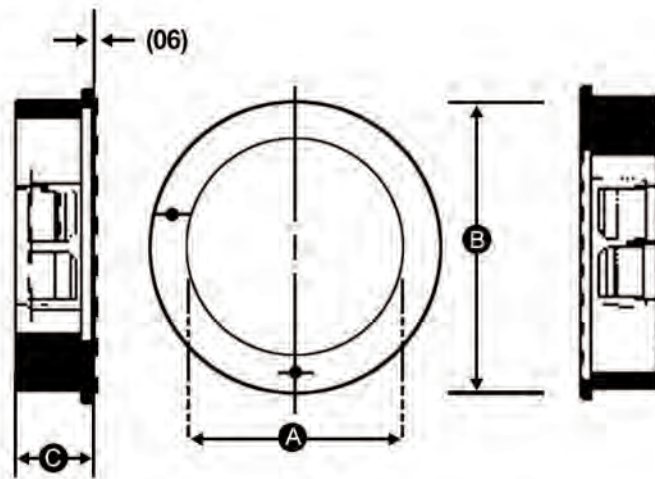
- Converts pipe and box rough edge holes to smooth neat insulated holes.
- Insulates and mechanically protects wires and cables.
- One piece construction with locking fingers "snap" into holes with fingertip pressure.
- Material: Type 6/6 Nylon Dupont Zytel® 101
- Rated at 105° Flammability: UL94V-2
- Finish: As Molded
- Color: Black

Note: Zytel is a registered Trademark of The Dupont Company.



Nylon Knockout Insulated Bushings

| Cat. # | Size | A ID ø | B Head ø | C Height | Unit Qty | Std. Pkg | Wt./per 100 |
|--------|--------|-----------|-------------|-------------|-------------|-------------|----------------|
| NKB50 | 1/2" | .750" | .953" | .406" | 100 | 1000 | 1 |
| NKB75 | 3/4" | .812" | 1.218" | .406" | 100 | 500 | 1 |
| NKB100 | 1" | 1.00" | 1.468" | .463" | 50 | 500 | 1 |
| NKB125 | 1 1/4" | 1.38" | 1.875" | .463" | 50 | 250 | 1 |
| NKB150 | 1 1/2" | 1.64" | 2.125" | .463" | 25 | 125 | 2 |
| NKB200 | 2" | 1.96" | 2.660" | .700" | 20 | 100 | 3 |
| NKB250 | 2 1/2" | 2.50" | 3.200" | .700" | 10 | 50 | 4 |



Since 1946

Service Entrance Water - Tight Connectors for Underground Feeder Cable

American Fittings top of the line service entrance offering is a Type UF Connector designed to connect underground feeder cables to meter boxes or enclosures. This rugged steel connector provides a liquid tight connection for the life of the installation.

- To protect against corrosion, a threaded tapered steel body and nut is furnished with a brilliant electro zinc chromate plating.
- A steel retaining ring safeguards the cable jacket from abrasion and reduces the torque effort required to install.
- Complete with a neoprene bushing designed to withstand oil and water, and provide a superior gripping surface.

U.F. (Underground Feeder Cable) Connectors Compression Type

- Connects underground feeder cables to a box or enclosure
- Neoprene bushing resists oil and water
- Taper pipe thread



Steel

| Cat. # | Size | Unit Ctn | Std Pkg | WT/100 |
|--------|------|----------|---------|--------|
| UF50 | 1/2" | 25 | 250 | 12 |
| UF5075 | 3/4" | 10 | 100 | 18 |
| UF75 | 3/4" | 10 | 100 | 18 |

Wire Sizes

| |
|-------------------------------|
| UF50 14-2 12-2 W/WO GRND |
| UF5075 14-2 12-2 W/WO GRND |
| UF75 14-3 12-3 10-3 W/WO GRND |



Since 1946

Liquid Tight Connectors

American Fittings' commitment to superior design and quality workmanship is most evident in the manufacture of our **Liquid Tight Connectors**. The product is designed for indoor or outdoor locations where continuous or intermittent moisture is present and positively bonds conduit to a box or enclosure. Together, the flexible metallic conduit and fittings protect conductors from damage due to excessive vibrations and contaminants, such as, moisture, oils and dust.

Inside this section

| | |
|---|---------|
| Steel Connectors | 37 - 39 |
| Grounding Connectors w/Lugs | 40 - 42 |
| Connectors / Non-Metallic | 43 |
| Connectors / Zinc Die Cast | 44 - 45 |
| Combination Couplings / Sealing Washers ... | 46 |
| Ferrules & Lugs | 47 |
| MS Connectors | 48 |
| Female Thread Liquid Tight Connectors | 48 |



- Steel fittings are obtainable in straight, 45°, and 90° configurations, with or without insulated throats.
- Non-metallic & zinc die cast Liquid Tight Connectors are also available.
- Grounding type connectors with aluminum lugs to terminate bonding conductor run across Liquid Tight conduit are now stocked.
- Female connectors with threaded hubs are acquirable for versatility.
- All Liquid Tight fittings are completely reusable.
- Liquid Tight Connectors are suitable for many industries and equipment; including machinery and tools, petroleum, food processing, chemical, waste water treatment, HVAC, aerospace, electric power, paint, automobile, paper mills, pumps, etc.
- Meets UL and NEC requirements for use in wet and hazardous locations.
- Connector bodies and nuts are fabricated from the highest quality steel for industrial grade impact resistance.
- Steel or aluminum ferrules facilitate sealing and grounding. Ferrules can be purchased separately.
- Polyethylene Sealing Washers resist dampness and are available separately.
- Liquid Tight Connectors are also available in zinc die cast.
- Liquid Tight Combination Couplings are available for roof top HVAC. These couplings are utilized in connecting both thin wall and heavywall conduit to liquidtight flexible metal conduit.
- Liquidtight Flexible Metal MS Connectors with internal threads to accept AN-MS connector shells are presented in steel.



Liquid Tight Connectors

Reusable Fittings

- Industrial specification grade, screw machined steel, zinc plated
- UL Rated Liquid Tight
- Includes sealing washer
- Bonds conduit to box or enclosure
- Corrosion resistant protection from moisture & oils
- Designed to protect against excessive vibration

Straight Connectors

| Cat. # | Size | Unit Ctn | Std Pkg | WT/100 |
|----------|--------|----------|---------|--------|
| STR38 | 3/8" | 20 | 200 | 10 |
| STR50 | 1/2" | 20 | 200 | 13 |
| STR75 | 3/4" | 20 | 100 | 18 |
| STR100 | 1" | 5 | 50 | 32 |
| STR125 | 1-1/4" | 5 | 25 | 44 |
| STR150 | 1-1/2" | 5 | 25 | 66 |
| STR200 | 2" | 5 | 25 | 85 |
| STR250** | 2-1/2" | - | 5 | 260 |
| STR300** | 3" | - | 4 | 360 |
| STR350** | 3-1/2" | - | 4 | 445 |
| STR400** | 4" | - | 2 | 520 |
| STR500** | 5" | - | 1 | 1150 |

6" connectors available upon request

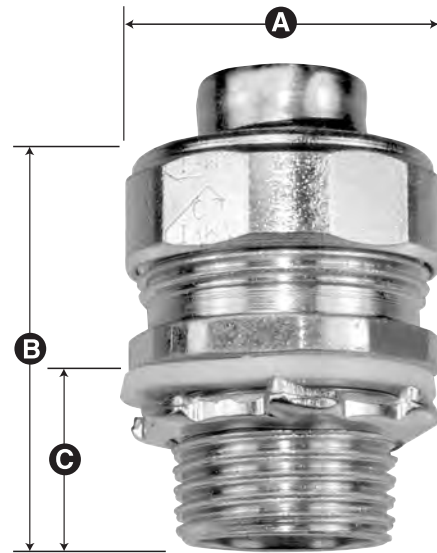
** Malleable Iron

Straight Connectors with Insulated Throat

| Cat. # | Size | Unit Ctn | Std Pkg | WT/100 |
|-----------|--------|----------|---------|--------|
| STR38B | 3/8" | 20 | 200 | 10 |
| STR50B | 1/2" | 20 | 200 | 13 |
| STR75B | 3/4" | 20 | 100 | 18 |
| STR100B | 1" | 5 | 50 | 32 |
| STR125B | 1-1/4" | 5 | 25 | 44 |
| STR150B | 1-1/2" | 5 | 25 | 66 |
| STR200B | 2" | 5 | 25 | 85 |
| STR250B** | 2-1/2" | - | 5 | 260 |
| STR300B** | 3" | - | 4 | 360 |
| STR350B** | 3-1/2" | - | 4 | 445 |
| STR400B** | 4" | - | 2 | 520 |
| STR500B** | 5" | - | 1 | 1150 |

6" connectors available upon request

** Malleable Iron



E93605



LR61799

Dimensional Table

| Cat. # | A Diameter | B Overall Length | C Length of Thread |
|----------|---------------|---------------------|-----------------------|
| STR38/B | 1.09 | 1.19 | .63 |
| STR50/B | 1.19 | 1.34 | .63 |
| STR75/B | 1.43 | 1.43 | .63 |
| STR100/B | 1.75 | 1.63 | .66 |
| STR125/B | 2.16 | 1.84 | .67 |
| STR150/B | 2.38 | 2.00 | .72 |
| STR200/B | 2.88 | 2.13 | .72 |
| STR250/B | 4.00 | 3.25 | 1.50 |
| STR300/B | 4.63 | 3.88 | 1.50 |
| STR350/B | 5.50 | 4.00 | 1.50 |
| STR400/B | 5.82 | 4.00 | 1.63 |
| STR500/B | 7.00 | 5.00 | 1.63 |

UL rated suitable for hazardous locations

Class I, Div. 2; Class II, Div. 1 and 2;

Class III, Div 1 and 2; NEC 501-4(b), 502-4(a) (2), 503-3(a)



Since 1946

Liquid Tight Connectors

Reusable Fittings

- Industrial specification grade steel, zinc plated
- Malleable iron body
- UL rated Liquid Tight
- Includes sealing washer
- Bonds conduit to box or enclosure
- Corrosion resistant protection from moisture & oils
- Designed to protect against excessive vibration

90° Angle Connectors

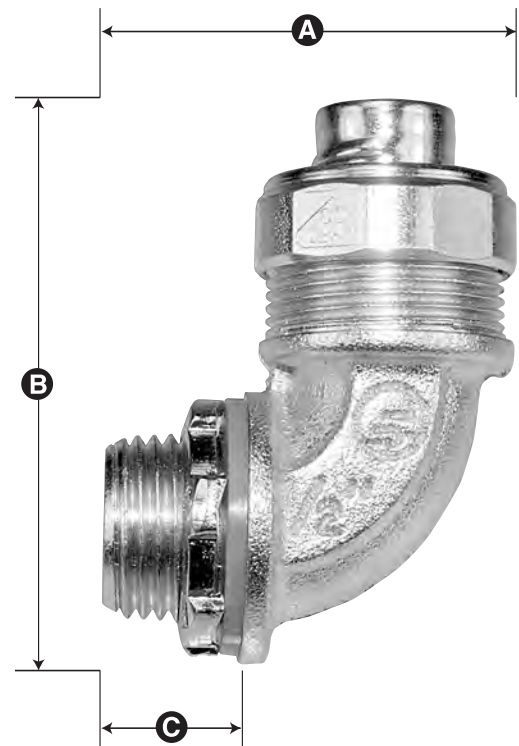
| Cat. # | Size | Unit Ctn | Std Pkg | WT/100 |
|------------|--------|----------|---------|--------|
| STR3890** | 3/8" | 10 | 100 | 24 |
| STR5090** | 1/2" | 10 | 100 | 24 |
| STR7590** | 3/4" | 5 | 50 | 38 |
| STR10090** | 1" | 5 | 25 | 70 |
| STR12590** | 1-1/4" | 2 | 20 | 88 |
| STR15090** | 1-1/2" | 1 | 10 | 125 |
| STR20090** | 2" | 1 | 5 | 180 |
| STR25090 | 2-1/2" | - | 2 | 625 |
| STR30090 | 3" | - | 1 | 900 |
| STR35090 | 3-1/2" | - | 1 | 1000 |
| STR40090 | 4" | - | 2 | 1500 |

** Steel Nut

90° Angle Connectors with Insulated Throat

| Cat. # | Size | Unit Ctn | Std Pkg | WT/100 |
|-------------|--------|----------|---------|--------|
| STR3890B** | 3/8" | 10 | 100 | 24 |
| STR5090B** | 1/2" | 10 | 100 | 24 |
| STR7590B** | 3/4" | 5 | 50 | 38 |
| STR10090B** | 1" | 5 | 25 | 70 |
| STR12590B** | 1-1/4" | 2 | 20 | 88 |
| STR15090B** | 1-1/2" | 1 | 10 | 125 |
| STR20090B** | 2" | 1 | 5 | 180 |
| STR25090B | 2-1/2" | - | 2 | 625 |
| STR30090B | 3" | - | 1 | 900 |
| STR35090B | 3-1/2" | - | 1 | 1000 |
| STR40090B | 4" | - | 2 | 1500 |

** Steel Nut



Dimensional Table

| Cat. # | A | B | C Length of Thread |
|------------|-------|-------|--------------------------|
| STR3890/B | 1.25 | 1.59 | .59 |
| STR5090/B | 1.25 | 1.66 | .59 |
| STR7590/B | 1.53 | 1.78 | .59 |
| STR10090/B | 1.84 | 2.19 | .66 |
| STR12590/B | 1.94 | 2.38 | .69 |
| STR15090/B | 2.09 | 2.63 | .72 |
| STR20090/B | 2.41 | 3.06 | .72 |
| STR25090/B | 8.00 | 9.25 | 1.50 |
| STR30090/B | 8.75 | 10.50 | 1.50 |
| STR35090/B | 10.93 | 11.50 | 1.50 |
| STR40090/B | 12.63 | 13.00 | 1.50 |

UL rated suitable for hazardous locations
 Class I, Div. 2; Class II, Div. 1 and 2;
 Class III, Div 1 and 2; NEC 501-4(b), 502-4(a) (2), 503-3(a)

Liquid Tight Connectors

Reusable Fittings

- Industrial specification grade steel, zinc plated
- Malleable iron body
- UL rated Liquid Tight
- Includes sealing washer
- Bonds conduit to box or enclosure
- Corrosion resistant protection from moisture & oils
- Designed to protect against excessive vibration

45° Angle Connectors

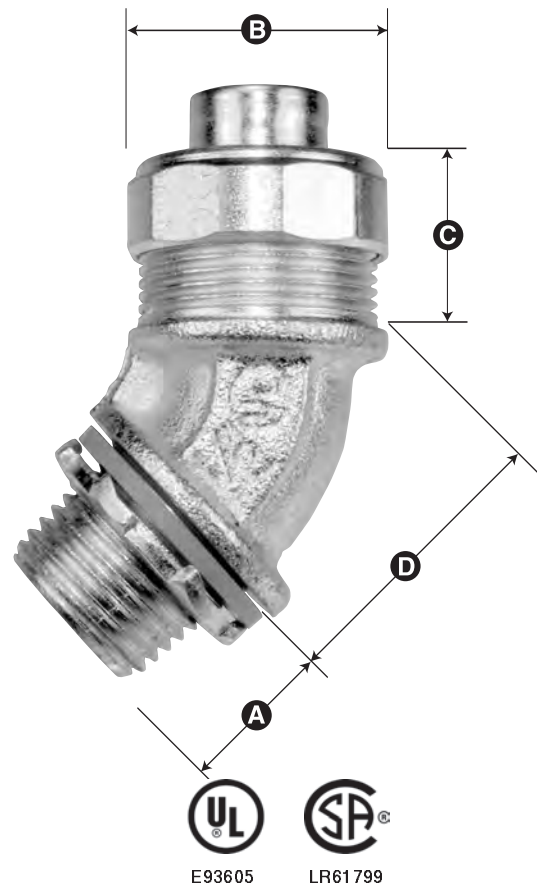
| Cat. # | Size | Unit Ctn | Std Pkg | WT/100 |
|------------|--------|----------|---------|--------|
| STR3845** | 3/8" | 10 | 100 | 21 |
| STR5045** | 1/2" | 10 | 100 | 23 |
| STR7545** | 3/4" | 10 | 50 | 32 |
| STR10045** | 1" | 5 | 50 | 53 |
| STR12545** | 1-1/4" | 5 | 25 | 69 |
| STR15045** | 1-1/2" | 3 | 15 | 99 |
| STR20045** | 2" | 1 | 10 | 152 |
| STR25045 | 2-1/2" | - | 2 | 478 |
| STR30045 | 3" | - | 2 | 775 |
| STR35045 | 3-1/2" | - | 1 | 880 |
| STR40045 | 4" | - | 1 | 1000 |

** Steel Nut

45° Angle Connectors with Insulated Throat

| Cat. # | Size | Unit Ctn | Std Pkg | WT/100 |
|-------------|--------|----------|---------|--------|
| STR3845B** | 3/8" | 10 | 100 | 21 |
| STR5045B** | 1/2" | 10 | 100 | 23 |
| STR7545B** | 3/4" | 10 | 50 | 32 |
| STR10045B** | 1" | 5 | 50 | 53 |
| STR12545B** | 1-1/4" | 5 | 25 | 69 |
| STR15045B** | 1-1/2" | 3 | 15 | 99 |
| STR20045B** | 2" | 1 | 10 | 152 |
| STR25045B | 2-1/2" | - | 2 | 478 |
| STR30045B | 3" | - | 2 | 775 |
| STR35045B | 3-1/2" | - | 1 | 880 |
| STR40045B | 4" | - | 1 | 1000 |

** Steel Nut



Dimensional Table

| Cat. # | A Length of Thread | B | C | D |
|------------|--------------------------|------|------|------|
| STR3845/B | .59 | 1.09 | 1.22 | 1.03 |
| STR5045/B | .59 | 1.19 | 1.32 | 1.03 |
| STR7545/B | .59 | 1.43 | 1.38 | 1.13 |
| STR10045/B | .66 | 1.75 | 1.66 | 1.25 |
| STR12545/B | .69 | 2.16 | 1.72 | 1.34 |
| STR15045/B | .72 | 2.38 | 2.00 | 1.47 |
| STR20045/B | .72 | 2.88 | 2.28 | 1.63 |
| STR25045/B | 1.50 | 4.00 | 2.25 | 4.75 |
| STR30045/B | 1.50 | 4.63 | 2.50 | 5.50 |
| STR35045/B | 1.56 | 5.25 | 2.50 | 6.50 |
| STR40045/B | 1.63 | 5.81 | 2.50 | 7.75 |

UL rated suitable for hazardous locations
Class I, Div. 2; Class II, Div. 1 and 2;
Class III, Div 1 and 2;
NEC 501-4(b), 502-4(a) (2), 503-3(a)



Since 1946

Liquid Tight Connectors

Grounding Type with Aluminum Lugs

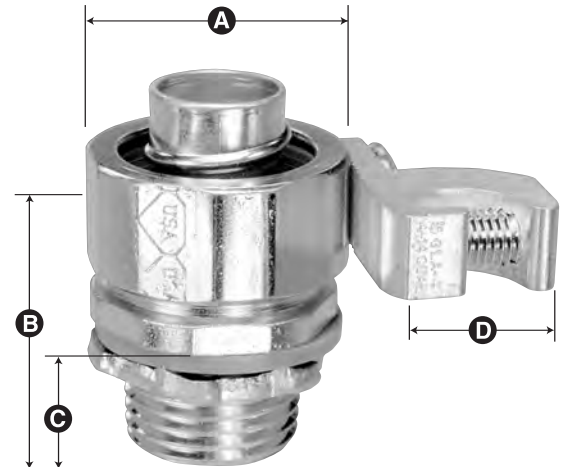
- A quick, effective solution to connecting liquid tight conduit while terminating a bonding connector in one action
- Sleek screw machined bodies and nuts promote easy installation
- Strong construction and long ferrule prevent pullouts
- All components are reusable
- Furnished with locknut and sealing washer

Straight Connectors

| Cat. # | Size | Unit Ctn | Std Pkg | WT/100 |
|----------|--------|----------|---------|--------|
| STR38GL | 3/8" | 25 | 125 | 12 |
| STR50GL | 1/2" | 25 | 125 | 15 |
| STR75GL | 3/4" | 25 | 125 | 20 |
| STR100GL | 1" | 10 | 50 | 34 |
| STR125GL | 1-1/4" | 5 | 25 | 46 |
| STR150GL | 1-1/2" | 5 | 25 | 68 |
| STR200GL | 2" | 2 | 10 | 87 |
| STR250GL | 2-1/2" | - | 5 | 267 |
| STR300GL | 3" | - | 4 | 367 |
| STR350GL | 3-1/2" | - | 3 | 464 |
| STR400GL | 4" | - | 2 | 539 |

Straight Connectors with Insulated Throat

| Cat. # | Size | Unit Ctn | Std Pkg | WT/100 |
|-----------|--------|----------|---------|--------|
| STR38BGL | 3/8" | 25 | 125 | 12 |
| STR50BGL | 1/2" | 25 | 125 | 15 |
| STR75BGL | 3/4" | 25 | 125 | 20 |
| STR100BGL | 1" | 10 | 50 | 34 |
| STR125BGL | 1-1/4" | 5 | 25 | 46 |
| STR150BGL | 1-1/2" | 5 | 25 | 68 |
| STR200BGL | 2" | 2 | 10 | 87 |
| STR250BGL | 2-1/2" | - | 5 | 267 |
| STR300BGL | 3" | - | 4 | 367 |
| STR350BGL | 3-1/2" | - | 3 | 464 |
| STR400BGL | 4" | - | 2 | 539 |



E258095

Dimensional Table

| Cat. # | A Diameter | B Overall Length | C Length of Thread | D Length of Lug |
|----------|---------------|---------------------|-----------------------|--------------------|
| STR38GL | 1.09 | 1.19 | .63 | .750 |
| STR50GL | 1.19 | 1.34 | .63 | .750 |
| STR75GL | 1.43 | 1.43 | .63 | .750 |
| STR100GL | 1.75 | 1.63 | .66 | .750 |
| STR125GL | 2.16 | 1.84 | .67 | .750 |
| STR150GL | 2.38 | 2.00 | .72 | .750 |
| STR200GL | 2.88 | 2.13 | .72 | .750 |
| STR250GL | 4.00 | 3.25 | 1.50 | 1.093 |
| STR300GL | 4.63 | 3.88 | 1.50 | 1.093 |
| STR350GL | 5.50 | 4.00 | 1.50 | 1.687 |
| STR400GL | 5.82 | 4.00 | 1.63 | 1.687 |

UL rated suitable for hazardous locations.

Class I, Div. 2; Class II, Div. 1 and 2;

Class III, Div. 1 and 2; NEC 501-4(b), 502-4(a), 503-3(a)

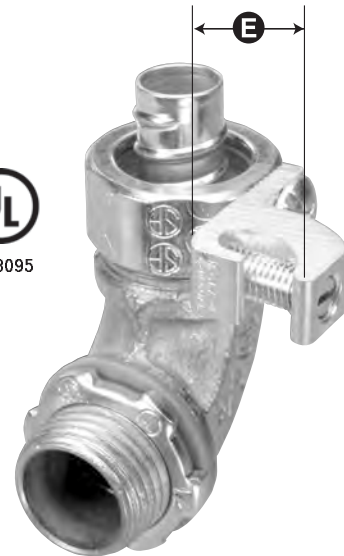
Liquid Tight Connectors

Grounding Type with Aluminum Lugs

- A quick, effective solution to connecting liquid tight conduit while terminating a bonding connector in one action
- Strong construction and long ferrule prevent pullouts
- All components are reusable
- Furnished with locknut and sealing washer



E258095

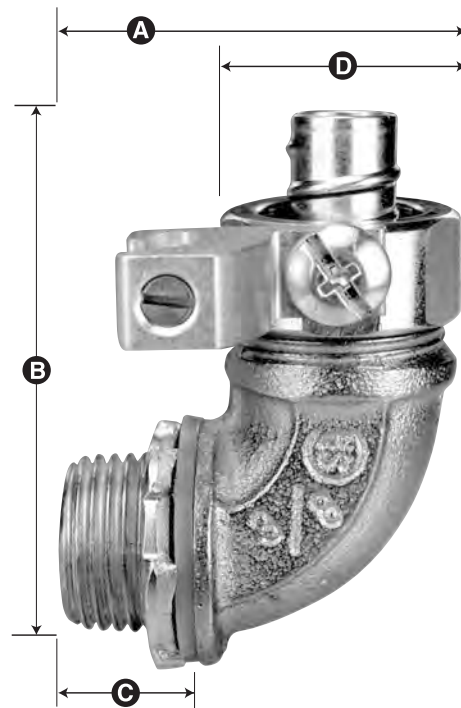


90° Angle Connectors

| Cat. # | Size | Unit Ctn | Std Pkg | WT/100 |
|------------|--------|----------|---------|--------|
| STR3890GL | 3/8" | 20 | 100 | 26 |
| STR5090GL | 1/2" | 20 | 100 | 26 |
| STR7590GL | 3/4" | 10 | 50 | 40 |
| STR10090GL | 1" | 5 | 25 | 72 |
| STR12590GL | 1-1/4" | 4 | 20 | 90 |
| STR15090GL | 1-1/2" | 3 | 15 | 127 |
| STR20090GL | 2" | 2 | 10 | 182 |
| STR25090GL | 2-1/2" | - | 2 | 632 |
| STR30090GL | 3" | - | 1 | 907 |
| STR35090GL | 3-1/2" | - | 1 | 1019 |
| STR40090GL | 4" | - | 2 | 1519 |

90° Angle Connectors with Insulated Throat

| Cat. # | Size | Unit Ctn | Std Pkg | WT/100 |
|-------------|--------|----------|---------|--------|
| STR3890BGL | 3/8" | 20 | 100 | 26 |
| STR5090BGL | 1/2" | 20 | 100 | 26 |
| STR7590BGL | 3/4" | 10 | 50 | 40 |
| STR10090BGL | 1" | 5 | 25 | 72 |
| STR12590BGL | 1-1/4" | 4 | 20 | 90 |
| STR15090BGL | 1-1/2" | 3 | 15 | 127 |
| STR20090BGL | 2" | 2 | 10 | 182 |
| STR25090BGL | 2-1/2" | - | 2 | 632 |
| STR30090BGL | 3" | - | 1 | 907 |
| STR35090BGL | 3-1/2" | - | 1 | 1019 |
| STR40090BGL | 4" | - | 2 | 1519 |



Dimensional Table

| Cat. # | A | B | C | D | E |
|------------|-------|-------|------|------|-------|
| STR3890GL | 1.25 | 1.59 | .59 | 1.09 | .750 |
| STR5090GL | 1.25 | 1.66 | .59 | 1.19 | .750 |
| STR7590GL | 1.53 | 1.78 | .59 | 1.43 | .750 |
| STR10090GL | 1.84 | 2.19 | .66 | 1.75 | .750 |
| STR12590GL | 1.94 | 2.38 | .69 | 2.16 | .750 |
| STR15090GL | 2.09 | 2.63 | .72 | 2.38 | .750 |
| STR20090GL | 2.41 | 3.06 | .72 | 2.88 | .750 |
| STR25090GL | 8.00 | 9.25 | 1.50 | 4.00 | 1.093 |
| STR30090GL | 8.75 | 10.50 | 1.50 | 4.63 | 1.093 |
| STR35090GL | 10.93 | 11.50 | 1.50 | 5.50 | 1.687 |
| STR40090GL | 12.63 | 13.00 | 1.50 | 5.82 | 1.687 |

UL rated suitable for hazardous locations.

Class I, Div. 2; Class II, Div. 1 and 2;

Class III, Div. 1 and 2; NEC 501-4(b), 502-4(a), 503-3(a)

Liquid Tight Connectors

Grounding Type with Aluminum Lugs

- A quick, effective solution to connecting liquid tight conduit while terminating a bonding connector in one action
- Strong construction and long ferrule prevent pullouts
- All components are reusable
- Furnished with locknut and sealing washer

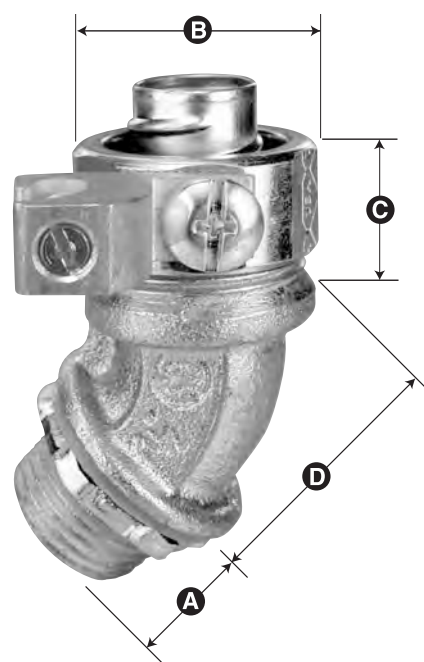


E258095



45° Angle Connectors

| Cat. # | Size | Unit Ctn | Std Pkg | WT/100 |
|------------|--------|----------|---------|--------|
| STR3845GL | 3/8" | 20 | 100 | 23 |
| STR5045GL | 1/2" | 20 | 100 | 25 |
| STR7545GL | 3/4" | 10 | 50 | 34 |
| STR10045GL | 1" | 5 | 25 | 55 |
| STR12545GL | 1-1/4" | 4 | 20 | 71 |
| STR15045GL | 1-1/2" | 3 | 15 | 101 |
| STR20045GL | 2" | 2 | 10 | 154 |
| STR25045GL | 2-1/2" | - | 4 | 485 |
| STR30045GL | 3" | - | 2 | 782 |
| STR35045GL | 3-1/2" | - | 2 | 899 |
| STR40045GL | 4" | - | 1 | 1019 |



45° Angle Connectors with Insulated Throat

| Cat. # | Size | Unit Ctn | Std Pkg | WT/100 |
|-------------|--------|----------|---------|--------|
| STR3845BGL | 3/8" | 20 | 100 | 23 |
| STR5045BGL | 1/2" | 20 | 100 | 25 |
| STR7545BGL | 3/4" | 10 | 50 | 34 |
| STR10045BGL | 1" | 5 | 25 | 55 |
| STR12545BGL | 1-1/4" | 4 | 20 | 71 |
| STR15045BGL | 1-1/2" | 3 | 15 | 101 |
| STR20045BGL | 2" | 2 | 10 | 154 |
| STR25045BGL | 2-1/2" | - | 4 | 485 |
| STR30045BGL | 3" | - | 2 | 782 |
| STR35045BGL | 3-1/2" | - | 2 | 899 |
| STR40045BGL | 4" | - | 1 | 1019 |

Dimensional Table

| Cat. # | A | B | C | D | E |
|------------|------|------|------|------|-------|
| STR3845GL | .59 | 1.09 | 1.22 | 1.03 | .750 |
| STR5045GL | .59 | 1.19 | 1.32 | 1.03 | .750 |
| STR7545GL | .59 | 1.43 | 1.38 | 1.13 | .750 |
| STR10045GL | .66 | 1.75 | 1.66 | 1.25 | .750 |
| STR12545GL | .69 | 2.16 | 1.72 | 1.34 | .750 |
| STR15045GL | .72 | 2.38 | 2.00 | 1.47 | .750 |
| STR20045GL | .72 | 2.88 | 2.28 | 1.63 | .750 |
| STR25045GL | 1.50 | 4.00 | 2.25 | 4.75 | 1.093 |
| STR30045GL | 1.50 | 4.63 | 2.50 | 5.50 | 1.093 |
| STR35045GL | 1.56 | 5.25 | 2.50 | 6.50 | 1.687 |
| STR40045GL | 1.63 | 5.81 | 2.50 | 7.75 | 1.687 |

UL rated suitable for hazardous locations.

Class I, Div. 2; Class II, Div. 1 and 2;

Class III, Div. 1 and 2; NEC 501-4(b), 502-4(a), 503-3(a)

Non-Metallic Liquid Tight Connectors

For Use with Type B Non-metallic Liquid Tight Conduit

- For use in wet or dry locations where fittings are not subject to harsh physical conditions
- Compact & sturdy PVC fitting furnished with steel locknut and sealing gasket
- NPT Thread
- Corrosion resistant
- Protection from liquid, rain, & oils
- Smooth interior to speed installation and eliminate friction

Straight Connectors

| Cat. # | Size | Unit Ctn | Std Pkg | WT/100 |
|--------|--------|----------|---------|--------|
| NML38 | 3/8" | 25 | 125 | 9 |
| NML50 | 1/2" | 25 | 125 | 8 |
| NML75 | 3/4" | 10 | 50 | 10 |
| NML100 | 1" | 10 | 50 | 14 |
| NML125 | 1-1/4" | 5 | 25 | 20 |
| NML150 | 1-1/2" | 4 | 20 | 26 |
| NML200 | 2" | 2 | 10 | 45 |

90° Connectors

| Cat. # | Size | Unit Ctn | Std Pkg | WT/100 |
|----------|--------|----------|---------|--------|
| NML3890 | 3/8" | 10 | 50 | 9 |
| NML5090 | 1/2" | 10 | 50 | 8 |
| NML7590 | 3/4" | 10 | 50 | 12 |
| NML10090 | 1" | 5 | 25 | 18 |
| NML12590 | 1-1/4" | 2 | 10 | 37 |
| NML15090 | 1-1/2" | 2 | 10 | 39 |
| NML20090 | 2" | 1 | 5 | 70 |

Dimensional Table

| Cat. # | A | B | C |
|----------|------|------|------|
| NML3890 | 2.56 | 2.14 | 1.09 |
| NML5090 | 2.56 | 2.14 | 1.09 |
| NML7590 | 2.84 | 2.38 | 1.30 |
| NML10090 | 3.25 | 2.81 | 1.50 |
| NML12590 | 3.96 | 3.36 | 2.40 |
| NML15090 | 4.13 | 3.45 | 2.68 |
| NML20090 | 4.68 | 4.04 | 3.35 |



Dimensional Table

| Cat. # | A Diameter | B Overall Length | C Length of Thread |
|--------|---------------|---------------------|-----------------------|
| NML38 | 1.12 | 2.10 | .45 |
| NML50 | 1.12 | 2.10 | .45 |
| NML75 | 1.30 | 2.20 | .47 |
| NML100 | 1.60 | 2.30 | .57 |
| NML125 | 2.40 | 2.40 | .57 |
| NML150 | 2.60 | 2.75 | .57 |
| NML200 | 3.30 | 3.10 | .67 |

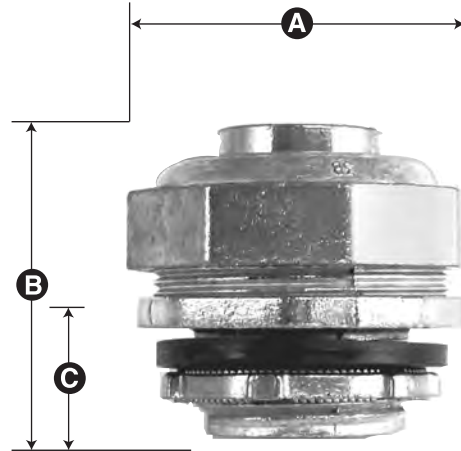


Liquid Tight Connectors - Zinc Die Cast

- Reusable fittings
- For use with metallic and non-metallic liquid tight conduit, type B

Straight Connectors

| Cat. # | Size | Unit Ctn | Std Pkg | WT/100 |
|--------|--------|----------|---------|--------|
| LTC38 | 3/8" | 20 | 200 | 18 |
| LTC50 | 1/2" | 20 | 200 | 20 |
| LTC75 | 3/4" | 20 | 100 | 23 |
| LTC100 | 1" | 5 | 50 | 40 |
| LTC125 | 1-1/4" | 5 | 25 | 60 |
| LTC150 | 1-1/2" | 2 | 20 | 75 |
| LTC200 | 2" | 5 | 25 | 120 |



E155411



LR57925

Straight Connectors with Insulated Throat

| Cat. # | Size | Unit Ctn | Std Pkg | WT/100 |
|---------|--------|----------|---------|--------|
| LTC38B | 3/8" | 20 | 200 | 20 |
| LTC50B | 1/2" | 20 | 200 | 22 |
| LTC75B | 3/4" | 20 | 100 | 25 |
| LTC100B | 1" | 5 | 50 | 44 |
| LTC125B | 1-1/4" | 5 | 25 | 68 |
| LTC150B | 1-1/2" | 2 | 20 | 90 |
| LTC200B | 2" | 5 | 25 | 140 |
| LTC250B | 2-1/2" | - | 5 | 200 |
| LTC300B | 3" | - | 5 | 250 |
| LTC350B | 3-1/2" | - | 5 | 300 |
| LTC400B | 4" | - | 5 | 400 |

Dimensional Table

| Cat. # | A | B | C Length of Thread |
|----------|-------|-------|-----------------------|
| LTC38/B | 1.446 | 1.260 | .400 |
| LTC50/B | 1.500 | 1.385 | .420 |
| LTC75/B | 1.603 | 1.720 | .420 |
| LTC100/B | 1.792 | 1.900 | .550 |
| LTC125/B | 1.900 | 2.290 | .546 |
| LTC150/B | 2.737 | 2.633 | .520 |
| LTC200/B | 2.080 | 3.156 | .585 |
| LTC250B | 3.025 | 4.205 | .775 |
| LTC300B | 3.530 | 4.910 | .920 |
| LTC350B | 3.660 | 5.470 | .920 |
| LTC400B | 3.875 | 5.925 | .987 |



Since 1946

Liquid Tight Connectors - Zinc Die Cast

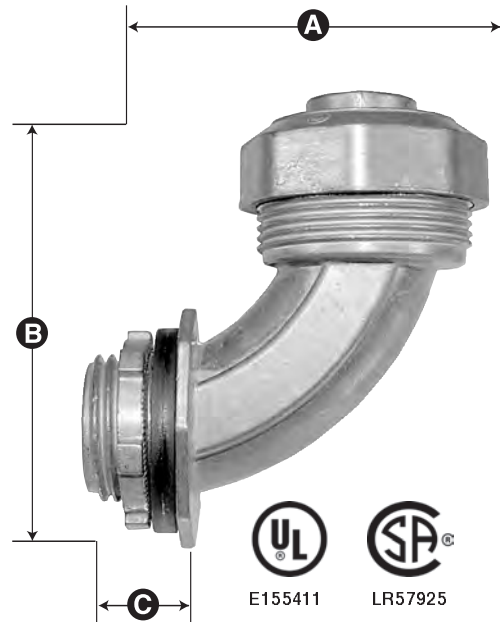
- Reusable fittings
- For use with metallic and non-metallic liquid tight conduit, type B

90° Angle Connectors

| Cat. # | Size | Unit Ctn | Std Pkg | WT/100 |
|---------|--------|----------|---------|--------|
| LTC389 | 3/8" | 10 | 100 | 27 |
| LTC509 | 1/2" | 10 | 100 | 28 |
| LTC759 | 3/4" | 5 | 50 | 38 |
| LTC1009 | 1" | 5 | 25 | 64 |
| LTC1259 | 1-1/4" | 5 | 20 | 100 |
| LTC1509 | 1-1/2" | 2 | 10 | 130 |
| LTC2009 | 2" | 1 | 5 | 190 |

90° Angle Connectors with Insulated Throat

| Cat. # | Size | Unit Ctn | Std Pkg | WT/100 |
|----------|--------|----------|---------|--------|
| LTC389B | 3/8" | 10 | 100 | 28 |
| LTC509B | 1/2" | 10 | 100 | 29 |
| LTC759B | 3/4" | 5 | 50 | 39 |
| LTC1009B | 1" | 5 | 25 | 66 |
| LTC1259B | 1-1/4" | 5 | 20 | 105 |
| LTC1509B | 1-1/2" | 2 | 10 | 130 |
| LTC2009B | 2" | 1 | 5 | 200 |
| LTC2509B | 2-1/2" | - | 1 | 400 |
| LTC3009B | 3" | - | 1 | 500 |
| LTC3509B | 3-1/2" | - | 1 | 600 |
| LTC4009B | 4" | - | 1 | 700 |



Dimensional Table

| Cat. # | A | B | C Length of Thread |
|-----------|-------|-------|--------------------------|
| LTC389/B | 2.062 | 2.340 | .52 |
| LTC509/B | 2.220 | 2.340 | .52 |
| LTC759/B | 2.550 | 3.550 | .68 |
| LTC1009/B | 2.820 | 3.785 | .67 |
| LTC1259/B | 3.362 | 3.960 | .70 |
| LTC1509/B | 3.450 | 4.130 | .70 |
| LTC2009/B | 4.036 | 4.700 | .57 |
| LTC2509B | 5.215 | 5.375 | .77 |
| LTC3009B | 6.100 | 6.500 | 1.10 |
| LTC3509B | 6.715 | 7.450 | 1.10 |
| LTC4009B | 6.780 | 8.000 | 1.10 |



Since 1946

Combination Couplings

Liquid Tight Conduit to EMT

- Reusable ferrule
- For rooftop HVAC air conditioners and motor hook-ups
- Steel, zinc plated

| Cat. # | Size | Unit Ctn | Std Pkg | WT/100 |
|-----------|------|----------|---------|--------|
| STREMT50 | 1/2" | 25 | 250 | 15 |
| STREMT75 | 3/4" | 10 | 100 | 22 |
| STREMT100 | 1" | 5 | 50 | 40 |



E93605



Combination Couplings

Liquid Tight Conduit to Rigid Conduit-IMC

- Reusable ferrule
- Steel, zinc plated

| Cat. # | Size | Unit Ctn | Std Pkg | WT/100 |
|---------|------|----------|---------|--------|
| STRNT50 | 1/2" | 25 | 125 | 16 |



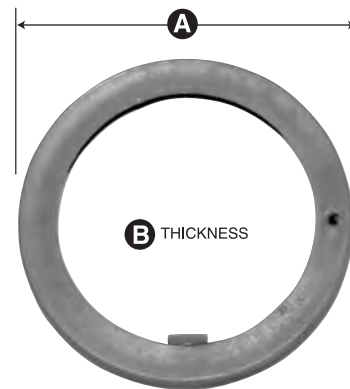
E93605



Sealing Washers

- Polyethylene
- Moisture resistant

| Cat. # | Size | Std Pkg | WT/100 |
|--------|--------|---------|--------|
| SW50 | 1/2" | 500 | .5 |
| SW75 | 3/4" | 500 | .5 |
| SW100 | 1" | 250 | 1 |
| SW125 | 1-1/4" | 250 | 1 |
| SW150 | 1-1/2" | 250 | 1 |
| SW200 | 2" | 250 | 2 |
| SW250 | 2-1/2" | 100 | 2 |
| SW300 | 3" | 100 | 2 |
| SW350 | 3-1/2" | 50 | 2 |
| SW400 | 4" | 50 | 2 |



Dimensional Table

| Cat. # | A Diameter | B Thickness |
|--------|------------|-------------|
| SW50 | 1.10 | .075 |
| SW75 | 1.34 | .080 |
| SW100 | 1.60 | .080 |
| SW125 | 1.93 | .080 |
| SW150 | 2.20 | .080 |
| SW200 | 2.57 | .080 |
| SW250 | 2.88 | .125 |
| SW300 | 3.52 | .125 |
| SW350 | 4.03 | .125 |
| SW400 | 4.52 | .125 |

Liquid Tight Ferrules

- Reusable
- Steel, zinc plated
- For improved sealing and grounding

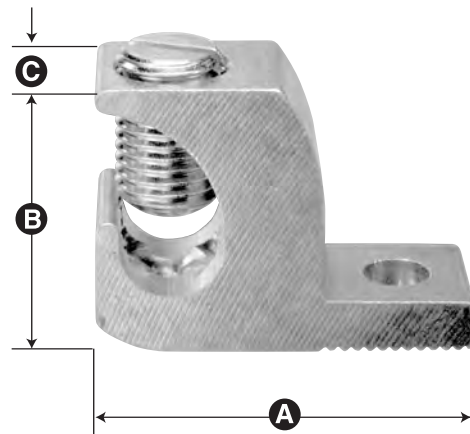
| Cat. # | Size | Unit Ctn | Std Pkg | WT/100 |
|---------|--------|----------|---------|--------|
| STR38F | 3/8" | 100 | 500 | 2 |
| STR50F | 1/2" | 100 | 500 | 2 |
| STR75F | 3/4" | 100 | 500 | 3 |
| STR100F | 1" | 50 | 250 | 3 |
| STR125F | 1-1/4" | 25 | 125 | 5 |
| STR150F | 1-1/2" | 10 | 50 | 6 |
| STR200F | 2" | 5 | 25 | 11 |
| STR250F | 2-1/2" | - | 1 | 23 |
| STR300F | 3" | - | 1 | 16 |
| STR350F | 3-1/2" | - | 1 | 50 |
| STR400F | 4" | - | 1 | 38 |



Solderless Lugs

- Lay-in connectors
- High strength, high conductive aluminum alloy 6061
- Tin over copper plating

| Cat. # | wire range CU-AL | Unit Ctn | Std Pkg | WT/100 |
|--------|---------------------|----------|---------|--------|
| GLA4 | 4-14 | 50 | 500 | 2 |
| GLA0 | 1/0-8 | 25 | 250 | 7 |
| GLA250 | 250 mcm-6 | 10 | 100 | 19 |



Dimensional Table

| Cat. # | A | B | C |
|--------|------|------|-----|
| GLA4 | 1.07 | .75 | .38 |
| GLA0 | 1.50 | 1.10 | .60 |
| GLA250 | 2.20 | 1.70 | .80 |



Since 1946

Liquid Tight Flexible Metal MS Connectors* (Cannon Type Plug Adaptor)

- UL rated Liquid Tight conduit to female thread
- For industrial applications where liquid tight conduit needs to be connected to female multi pin plug (Cannon type)
- Made from corrosion resistant machined steel, zinc plated

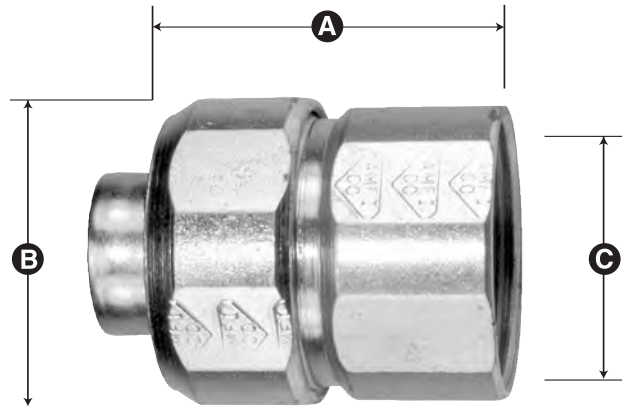


| Cat. # | Size | AN-MS Conn Shell Size | Thread Size | Unit Ctn | Std Pkg | WT/100 |
|------------|------|-----------------------|--------------------|----------|---------|--------|
| STR38807MS | 3/8" | | 20.5mm x 1.25mm | 25 | 125 | 10 |
| STR3814MS | 3/8" | 14, 14S | 3/4"-20 UNEF 2B | 25 | 125 | 10 |
| STR3818MS | 3/8" | 18 | 1"-20 UNEF 2B | 25 | 125 | 10 |
| STR5018MS | 1/2" | 18 | 1"-20 UNEF 2B | 25 | 125 | 14 |
| STR5020MS | 1/2" | 20, 22 | 1-3/16"-18 UNEF 2B | 20 | 100 | 16 |
| STR7520MS | 3/4" | 20, 22 | 1-3/16"-18 UNEF 2B | 20 | 100 | 18 |

* Also available with stainless steel mesh, see page 53

Dimensional Table

| Cat. # | A | B | C |
|------------|------|------|-----|
| STR38807MS | 1.32 | 1.06 | .50 |
| STR3814MS | 1.32 | 1.06 | .50 |
| STR3818MS | 1.32 | 1.06 | .50 |
| STR5018MS | 1.32 | 1.13 | .53 |
| STR5020MS | 1.38 | 1.13 | .66 |
| STR7520MS | 1.38 | 1.43 | .67 |



Liquid Tight Connectors with Female Threaded Hubs

- For use with Flexible Metal Conduit
- Provides versatility in threaded hub or panelboard applications

| Cat. # | Size | Unit Ctn | Std Pkg | WT/100 |
|----------|------|----------|---------|--------|
| STR38FR | 3/8" | 25 | 125 | 13 |
| STR50FR | 1/2" | 25 | 125 | 14 |
| STR75FR | 3/4" | 25 | 125 | 21 |
| STR100FR | 1" | 5 | 25 | 31 |

Dimensional Table

| Cat. # | A | B |
|----------|------|------|
| STR38FR | 1.89 | 1.25 |
| STR50FR | 1.19 | 1.25 |
| STR75FR | 1.43 | 1.25 |
| STR100FR | 1.75 | 1.25 |



EMT Conduit

Our commitment to superior design and quality is most evident in our self-manufactured (Made in USA) line of **EMT Set Screw & Compression Connectors** and **Couplings**. American Fittings features **EMT conduit** fittings that connect and bond electrical metallic tubing to a box or enclosure or, couple two ends of EMT conduit. A lower profile imported line of EMT compression and set screw connectors and couplings are also available.

- Compression and Set Screw Connectors and Couplings are fabricated from the highest quality screw machined steel, and brightly zinc plated for corrosion resistance.
- All connectors are available with or without an insulated throat. The nylon insulator is a UL component that protects conductors, decreases wire-pulling effort, and averts thread damage during handling.
- Connectors are also standard with a locknut to aid in bonding between the fitting and box or enclosure. Designed with a superior steel construction and precise clean threads, locknuts will tighten without distortion and will not loosen from vibration.
- All American made EMT fittings carry a concrete tight listing. American made 1/2" to 2" EMT Compression are also UL listed rain tight.
- Conduit hangers with bolts and EMT steel straps are available to secure and support EMT conduit to a mounting surface.
- Set screw fittings provide a concrete tight connection when taped.
- Insulating bushings can be furnished to offer protection from rough edges of conduit.

Inside this section

| | |
|--|---------|
| Compression Connectors and Couplings . . . | 50 - 52 |
| Set Screw Connectors and Couplings | 53 - 54 |
| Conduit Hangers | 55 |
| EMT Steel Straps | 56 |
| EMT Insulating Bushings | 57 |



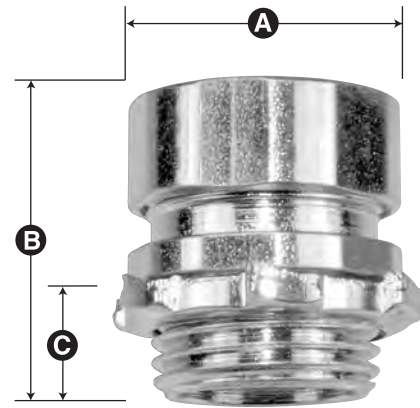
Since 1946

EMT Connectors Compression Type



- For connecting & bonding electrical metallic tubing to a box or enclosure
- Concrete Tight 1/2" to 4"
- Screw Machined Steel, zinc plated
- 2-1/2" to 4" malleable iron

| Cat. # | Size | Unit Ctn | Std Pkg | WT/100 |
|---------|--------|----------|---------|--------|
| EC750US | 1/2" | 50 | 250 | 8 |
| EC751US | 3/4" | 25 | 250 | 12 |
| EC752US | 1" | 20 | 100 | 19 |
| EC753US | 1-1/4" | 5 | 50 | 30 |
| EC754US | 1-1/2" | 5 | 25 | 46 |
| EC755US | 2" | 5 | 25 | 55 |
| EC756US | 2-1/2" | - | 5 | 242 |
| EC757US | 3" | - | 3 | 307 |
| EC758US | 3-1/2" | - | 3 | 390 |
| EC759US | 4" | - | 2 | 492 |

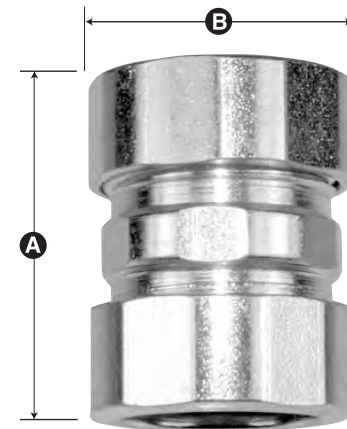


Dimensional Table

| Cat. # | A Diameter | B Length | C Length of Thread |
|----------|------------|----------|--------------------|
| EC750BUS | 1.750 | 1.250 | .406 |
| EC751BUS | 1.813 | 1.563 | .406 |
| EC752BUS | 2.000 | 1.813 | .406 |
| EC753BUS | 2.750 | 2.188 | .500 |
| EC754BUS | 3.000 | 2.438 | .500 |
| EC755BUS | 3.188 | 2.938 | .688 |
| EC756BUS | 3.929 | 3.875 | 1.250 |
| EC757BUS | 4.650 | 4.000 | 1.375 |
| EC758BUS | 5.198 | 4.312 | 1.375 |
| EC759BUS | 5.750 | 4.50 | 1.500 |

With Insulated Throat

| Cat. # | Size | Unit Ctn | Std Pkg | WT/100 |
|----------|--------|----------|---------|--------|
| EC750BUS | 1/2" | 50 | 250 | 8 |
| EC751BUS | 3/4" | 25 | 250 | 12 |
| EC752BUS | 1" | 20 | 100 | 19 |
| EC753BUS | 1-1/4" | 5 | 50 | 30 |
| EC754BUS | 1-1/2" | 5 | 25 | 46 |
| EC755BUS | 2" | 5 | 25 | 55 |
| EC756BUS | 2-1/2" | - | 5 | 242 |
| EC757BUS | 3" | - | 3 | 307 |
| EC758BUS | 3-1/2" | - | 3 | 390 |
| EC759BUS | 4" | - | 2 | 492 |



Dimensional Table

| Cat. # | A Length | B Diameter |
|---------|----------|------------|
| EC760US | 1.688 | 1.250 |
| EC761US | 2.000 | 1.563 |
| EC762US | 2.125 | 1.813 |
| EC763US | 3.063 | 2.188 |
| EC764US | 3.125 | 2.438 |
| EC765US | 3.375 | 2.938 |
| EC766US | 5.750 | 3.931 |
| EC767US | 5.720 | 4.667 |
| EC768US | 6.000 | 5.200 |
| EC769US | 6.811 | 5.750 |

EMT Couplings Compression Type



- For coupling two ends of electric metallic tubing
- Concrete Tight 1/2" to 4"
- Screw Machined Steel, zinc plated
- 2-1/2" to 4" - malleable iron

| Cat. # | Size | Unit Ctn | Std Pkg | WT/100 |
|---------|--------|----------|---------|--------|
| EC760US | 1/2" | 50 | 250 | 8 |
| EC761US | 3/4" | 25 | 125 | 13 |
| EC762US | 1" | 20 | 100 | 19 |
| EC763US | 1-1/4" | 5 | 50 | 30 |
| EC764US | 1-1/2" | 5 | 25 | 46 |
| EC765US | 2" | 5 | 25 | 60 |
| EC766US | 2-1/2" | - | 5 | 360 |
| EC767US | 3" | - | 3 | 405 |
| EC768US | 3-1/2" | - | 2 | 545 |
| EC769US | 4" | - | 2 | 635 |

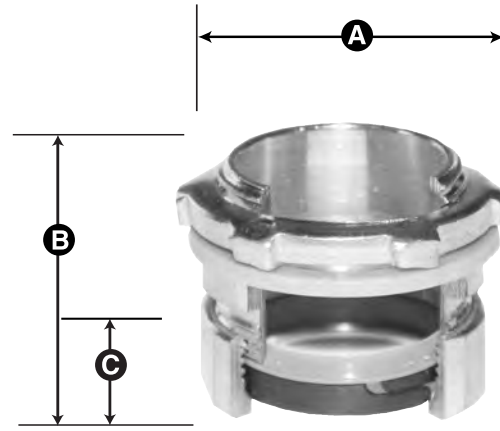
EMT Connectors

Compression Type/Raintight



- Rain and Concrete Tight 1/2" to 2"
- For use in wet locations to ground and secure EMT raceway boxes and enclosures
- Connector utilizes internal and external sealing rings to prevent entrance of water or moisture
- Screw machined steel, zinc plated

| Cat. # | Size | Unit Ctn | Std Pkg | WT/100 |
|-----------|--------|----------|---------|--------|
| EC750USRT | 1/2" | 50 | 250 | 8 |
| EC751USRT | 3/4" | 25 | 250 | 12 |
| EC752USRT | 1" | 20 | 100 | 19 |
| EC753USRT | 1-1/4" | 5 | 50 | 30 |
| EC754USRT | 1-1/2" | 5 | 25 | 46 |
| EC755USRT | 2" | 5 | 25 | 55 |



Dimensional Table

| Cat. # | A Diameter | B Length | C Length of Thread |
|-----------|---------------|-------------|-----------------------|
| EC750USRT | 1.750 | 1.250 | .406 |
| EC751USRT | 1.813 | 1.563 | .406 |
| EC752USRT | 2.000 | 1.813 | .406 |
| EC753USRT | 2.750 | 2.188 | .500 |
| EC754USRT | 3.000 | 2.438 | .500 |
| EC755USRT | 3.188 | 2.938 | .688 |

With Insulated Throat

| Cat. # | Size | Unit Ctn | Std Pkg | WT/100 |
|------------|--------|----------|---------|--------|
| EC750BUSRT | 1/2" | 50 | 250 | 8 |
| EC751BUSRT | 3/4" | 25 | 250 | 12 |
| EC752BUSRT | 1" | 20 | 100 | 19 |
| EC753BUSRT | 1-1/4" | 5 | 50 | 30 |
| EC754BUSRT | 1-1/2" | 5 | 25 | 46 |
| EC755BUSRT | 2" | 5 | 25 | 55 |

EMT Couplings

Compression Type/Raintight



- Rain and Concrete Tight 1/2" to 2"
- For use in wet locations to ground and secure EMT raceway boxes and enclosures together
- Coupling utilizes two sealing rings to prevent water seepage
- Screw machined steel, zinc plated

| Cat. # | Size | Unit Ctn | Std Pkg | WT/100 |
|-----------|--------|----------|---------|--------|
| EC760USRT | 1/2" | 50 | 250 | 8 |
| EC761USRT | 3/4" | 25 | 125 | 13 |
| EC762USRT | 1" | 20 | 100 | 19 |
| EC763USRT | 1-1/4" | 5 | 50 | 30 |
| EC764USRT | 1-1/2" | 5 | 25 | 46 |
| EC765USRT | 2" | 5 | 25 | 60 |



Dimensional Table

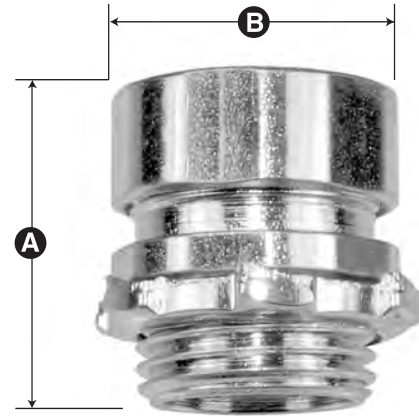
| Cat. # | A Length | B Diameter |
|-----------|-------------|---------------|
| EC760USRT | 1.688 | 1.250 |
| EC761USRT | 2.000 | 1.563 |
| EC762USRT | 2.125 | 1.813 |
| EC763USRT | 3.063 | 2.188 |
| EC764USRT | 3.1a25 | 2.438 |
| EC765USRT | 3.375 | 2.938 |

EMT Connectors Compression Type

- For connecting & bonding electrical metallic tubing to a box or enclosure
- Concrete Tight 2-1/2" to 4"
- Steel, zinc plated



| Cat. # | Size | Unit Ctn | Std Pkg | WT/100 |
|--------|--------|----------|---------|--------|
| EC750 | 1/2" | 25 | 125 | 12 |
| EC751 | 3/4" | 25 | 125 | 18 |
| EC752 | 1" | 10 | 50 | 26 |
| EC753 | 1-1/4" | 5 | 25 | 44 |
| EC754 | 1-1/2" | 5 | 25 | 56 |
| EC755 | 2" | - | 15 | 73 |
| EC756 | 2-1/2" | - | 12 | 161 |
| EC757 | 3" | - | 6 | 218 |
| EC758 | 3-1/2" | - | 4 | 333 |
| EC759 | 4" | - | 4 | 337 |

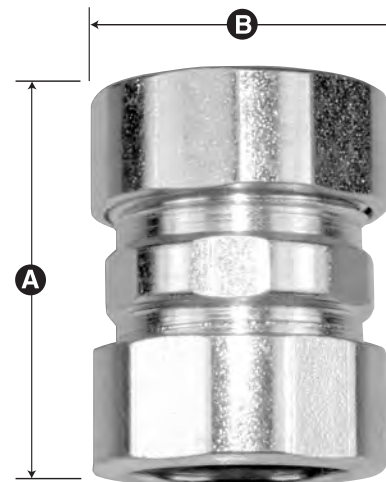


Dimensional Table

| Cat. # | A Length | B Max.Diameter |
|---------|----------|----------------|
| EC750/B | 1.800 | 1.093 |
| EC751/B | 2.030 | 1.275 |
| EC752/B | 2.222 | 1.550 |
| EC753/B | 2.800 | 2.222 |
| EC754/B | 3.130 | 2.300 |
| EC755/B | 3.480 | 2.578 |
| EC756/B | 3.850 | 3.444 |
| EC757/B | 4.370 | 4.066 |
| EC758/B | 4.580 | 4.800 |
| EC759/B | 4.670 | 5.250 |

With Insulated Throat

| Cat. # | Size | Unit Ctn | Std Pkg | WT/100 |
|--------|--------|----------|---------|--------|
| EC750B | 1/2" | 25 | 125 | 13 |
| EC751B | 3/4" | 25 | 125 | 19 |
| EC752B | 1" | 10 | 50 | 26 |
| EC753B | 1-1/4" | 5 | 25 | 45 |
| EC754B | 1-1/2" | 5 | 25 | 56 |
| EC755B | 2" | - | 15 | 75 |
| EC756B | 2-1/2" | - | 12 | 162 |
| EC757B | 3" | - | 6 | 220 |
| EC758B | 3-1/2" | - | 4 | 333 |
| EC759B | 4" | - | 4 | 339 |



Dimensional Table

| Cat. # | A Length | B Max.Diameter |
|--------|----------|----------------|
| EC760 | 1.875 | 1.015 |
| EC761 | 2.100 | 1.275 |
| EC762 | 2.550 | 1.550 |
| EC763 | 2.936 | 1.895 |
| EC764 | 3.100 | 2.130 |
| EC765 | 3.280 | 2.578 |
| EC766 | 4.180 | 3.444 |
| EC767 | 4.880 | 4.066 |
| EC768 | 5.000 | 4.800 |
| EC769 | 5.490 | 5.250 |

EMT Couplings Compression Type

- For coupling two ends of electrical metallic tubing
- Concrete tight 2-1/2" to 4"
- Steel, zinc plated



| Cat. # | Size | Unit Ctn | Std Pkg | WT/100 |
|--------|--------|----------|---------|--------|
| EC760 | 1/2" | 25 | 125 | 12 |
| EC761 | 3/4" | 25 | 125 | 22 |
| EC762 | 1" | 10 | 50 | 32 |
| EC763 | 1-1/4" | 5 | 25 | 47 |
| EC764 | 1-1/2" | 4 | 20 | 61 |
| EC765 | 2" | - | 15 | 77 |
| EC766 | 2-1/2" | - | 6 | 187 |
| EC767 | 3" | - | 6 | 237 |
| EC768 | 3-1/2" | - | 5 | 334 |
| EC769 | 4" | - | 3 | 407 |

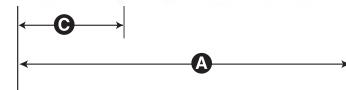
EMT Connectors

Set Screw Type

- For connecting & bonding electrical metallic tubing to a box or enclosure
- Steel, zinc plated
- UL rated concrete tight when taped



| Cat. # | Size | Unit Ctn | Std Pkg | WT/100 |
|--------|--------|----------|---------|--------|
| SS50US | 1/2" | 50 | 250 | 10 |
| SS51US | 3/4" | 25 | 125 | 14 |
| SS52US | 1" | 20 | 100 | 23 |
| SS53US | 1-1/4" | 5 | 25 | 40 |
| SS54US | 1-1/2" | 5 | 25 | 52 |
| SS55US | 2" | - | 20 | 80 |
| SS56US | 2-1/2" | - | 6 | 142 |
| SS57US | 3" | - | 6 | 183 |
| SS58US | 3-1/2" | - | 3 | 250 |
| SS59US | 4" | - | 3 | 283 |



Dimensional Table

| Cat. # | A | B | C |
|----------|----------------|----------|------------------|
| | Overall Length | Diameter | Length of Thread |
| SS50/BUS | 1.130 | 1.125 | .375 |
| SS51/BUS | 1.250 | 1.380 | .375 |
| SS52/BUS | 1.500 | 1.630 | .500 |
| SS53/BUS | 2.750 | 2.000 | .500 |
| SS54/BUS | 2.880 | 2.250 | .500 |
| SS55/BUS | 2.000 | 2.750 | .625 |
| SS56/BUS | 3.940 | 3.220 | 1.250 |
| SS57/BUS | 3.060 | 4.840 | 1.375 |
| SS58/BUS | 3.380 | 4.360 | 1.375 |
| SS59/BUS | 3.560 | 4.860 | 1.500 |

With Insulated Throat

| Cat. # | Size | Unit Ctn | Std Pkg | WT/100 |
|---------|--------|----------|---------|--------|
| SS50BUS | 1/2" | 50 | 250 | 10 |
| SS51BUS | 3/4" | 25 | 125 | 14 |
| SS52BUS | 1" | 20 | 100 | 23 |
| SS53BUS | 1-1/4" | 5 | 25 | 40 |
| SS54BUS | 1-1/2" | 5 | 25 | 52 |
| SS55BUS | 2" | - | 20 | 80 |
| SS56BUS | 2-1/2" | - | 6 | 142 |
| SS57BUS | 3" | - | 6 | 183 |
| SS58BUS | 3-1/2" | - | 3 | 250 |
| SS59BUS | 4" | - | 3 | 283 |

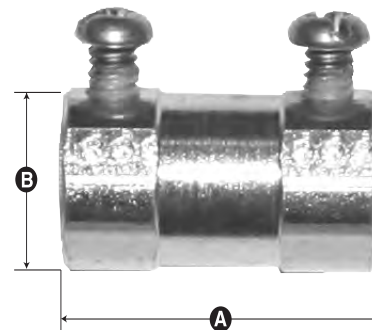
EMT Couplings

Set Screw Type

- For coupling two ends of electrical metallic tubing
- Steel, zinc plated
- UL rated Concrete Tight when Taped



| Cat. # | Size | Unit Ctn | Std Pkg | WT/100 |
|--------|--------|----------|---------|--------|
| SS60US | 1/2" | 50 | 250 | 10 |
| SS61US | 3/4" | 25 | 125 | 15 |
| SS62US | 1" | 10 | 50 | 24 |
| SS63US | 1-1/4" | 5 | 25 | 44 |
| SS64US | 1-1/2" | 5 | 25 | 68 |
| SS65US | 2" | - | 20 | 90 |
| SS66US | 2-1/2" | - | 5 | 158 |
| SS67US | 3" | - | 3 | 217 |
| SS68US | 3-1/2" | - | 2 | 250 |
| SS69US | 4" | - | 2 | 283 |



Dimensional Table

| Cat. # | A | B |
|--------|--------|----------|
| | Length | Diameter |
| SS60US | 1.75 | .937 |
| SS61US | 2.13 | 1.125 |
| SS62US | 2.50 | 1.375 |
| SS63US | 3.25 | 1.687 |
| SS64US | 3.75 | 1.968 |
| SS65US | 4.0 | 2.406 |
| SS66US | 4.25 | 3.220 |
| SS67US | 4.50 | 3.840 |
| SS68US | 4.75 | 4.360 |
| SS69US | 5.00 | 4.860 |

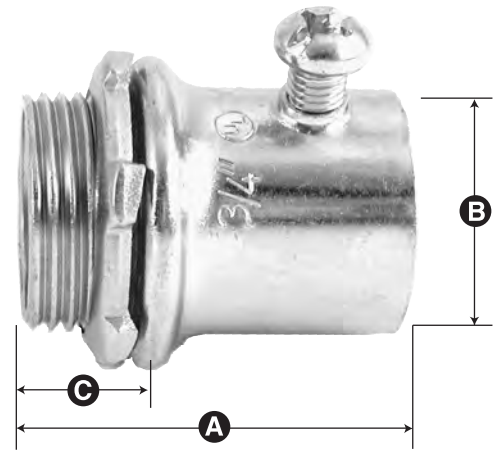
EMT Connectors

Set Screw Type

- For connecting & bonding electrical metallic tubing to a box or enclosure
- Steel, zinc plated
- UL rated concrete tight when taped



| Cat. # | Size | Unit Ctn | Std Pkg | WT/100 |
|--------|--------|----------|---------|--------|
| SS50 | 1/2" | 50 | 250 | 9 |
| SS51 | 3/4" | 25 | 125 | 12 |
| SS52 | 1" | 20 | 100 | 18 |
| SS53 | 1-1/4" | 5 | 25 | 33 |
| SS54 | 1-1/2" | 5 | 25 | 42 |
| SS55 | 2" | - | 20 | 56 |
| SS56 | 2-1/2" | - | 12 | 118 |
| SS57 | 3" | - | 12 | 154 |
| SS58 | 3-1/2" | - | 6 | 206 |
| SS59 | 4" | - | 6 | 263 |



Dimensional Table

| Cat. # | A Overall Length | B Diameter | C Length of Thread |
|--------|---------------------|---------------|-----------------------|
| SS50/B | 1.469 | 1.063 | .406 |
| SS51/B | 1.531 | 1.313 | .438 |
| SS52/B | 1.625 | 1.563 | .469 |
| SS53/B | 2.250 | 1.938 | .563 |
| SS54/B | 2.500 | 2.250 | .563 |
| SS55/B | 2.750 | 2.750 | .563 |
| SS56/B | 3.313 | 3.563 | .750 |
| SS57/B | 3.813 | 4.188 | .938 |
| SS58/B | 3.938 | 4.688 | .938 |
| SS59/B | 4.188 | 5.188 | 1.000 |

With Insulated Throat

| Cat. # | Size | Unit Ctn | Std Pkg | WT/100 |
|--------|--------|----------|---------|--------|
| SS50B | 1/2" | 50 | 250 | 10 |
| SS51B | 3/4" | 25 | 125 | 13 |
| SS52B | 1" | 20 | 100 | 18 |
| SS53B | 1-1/4" | 5 | 25 | 33 |
| SS54B | 1-1/2" | 5 | 25 | 42 |
| SS55B | 2" | - | 20 | 56 |
| SS56B | 2-1/2" | - | 12 | 118 |
| SS57B | 3" | - | 12 | 165 |
| SS58B | 3-1/2" | - | 6 | 228 |
| SS59B | 4" | - | 6 | 267 |

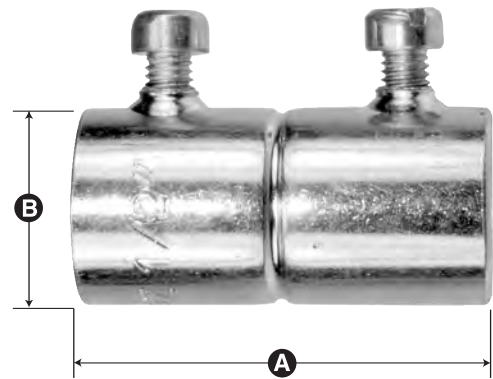
EMT Couplings

Set Screw Type

- For coupling two ends of electrical metallic tubing
- Steel, zinc plated
- UL rated Concrete Tight when Taped



| Cat. # | Size | Unit Ctn | Std Pkg | WT/100 |
|--------|--------|----------|---------|--------|
| SS60 | 1/2" | 50 | 250 | 9 |
| SS61 | 3/4" | 25 | 125 | 13 |
| SS62 | 1" | 10 | 50 | 21 |
| SS63 | 1-1/4" | 5 | 25 | 38 |
| SS64 | 1-1/2" | 5 | 25 | 47 |
| SS65 | 2" | - | 20 | 60 |
| SS66 | 2-1/2" | - | 12 | 137 |
| SS67 | 3" | - | 12 | 172 |
| SS68 | 3-1/2" | - | 6 | 245 |
| SS69 | 4" | - | 6 | 297 |



Dimensional Table

| Cat. # | A Length | B Diameter |
|--------|-------------|---------------|
| SS60 | 1.75 | .88 |
| SS61 | 2.13 | 1.06 |
| SS62 | 2.50 | 1.31 |
| SS63 | 3.25 | 1.69 |
| SS64 | 3.75 | 1.94 |
| SS65 | 4.0 | 2.38 |
| SS66 | 4.25 | 3.19 |
| SS67 | 4.50 | 3.19 |
| SS68 | 4.75 | 4.31 |
| SS69 | 5.00 | 4.31 |

Conduit Hangers with Bolts

- To fasten and secure EMT or rigid conduit to threaded rod, insulator supports, or directly to mounting surface
- Furnished with nut and bolt to accelerate installation
- For use in wet or dry locations
- Bright Electro Zinc finish



Selection Table

| Cat. # | Trade Size | Conduit Size Rigid | EMT | Unit / CTN | Std / Pkg | WT/100 |
|--------|------------|-----------------------|--------|------------|-----------|--------|
| CHB0 | 0 | 3/8"-1/2" | 1/2" | 50 | 250 | 7 |
| CHB1 | 1 | 3/4" | 3/4" | 50 | 250 | 7 |
| CHB2 | 2 | 1" | 1" | 25 | 125 | 8 |
| CHB25 | 2-1/2 | - | 1-1/4" | 20 | 100 | 11 |
| CHB3 | 3 | 1-1/4" | 1-1/2" | 20 | 100 | 11 |
| CHB4 | 4 | 1-1/2" | - | 10 | 50 | 19 |
| CHB5 | 5 | 2" | 2" | 10 | 50 | 22 |
| CHB6 | 6 | 2-1/2" | 2-1/2" | - | 25 | 28 |
| CHB7 | 7 | 3" | 3" | - | 20 | 31 |
| CHB8 | 8 | 3-1/2" | 3-1/2" | - | 10 | 32 |
| CHB9 | 9 | 4" | 4" | - | 10 | 37 |

* Made in America Product also available - add "US" Suffix to catalog number when ordering.



Since 1946

EMT Steel Straps

- To securely fasten and support EMT metal conduit to the mounting surface
- For use in wet or dry locations
- Bright electro zinc finish for corrosion protection

One-Hole EMT Type

| Cat. # | Size | Unit Ctn | Std Pkg | WT/100 |
|----------|--------|----------|---------|--------|
| CSE501* | 1/2" | 100 | 1000 | 3 |
| CSE751* | 3/4" | 100 | 500 | 4 |
| CSE1001* | 1" | 50 | 250 | 6 |
| CSE1251 | 1-1/4" | 30 | 150 | 9 |
| CSE1501 | 1-1/2" | 25 | 125 | 13 |
| CSE2001 | 2" | 20 | 100 | 17 |
| CSER2501 | 2-1/2" | - | 20 | 42 |
| CSER3001 | 3" | - | 10 | 49 |
| CSER3501 | 3-1/2" | - | 10 | 71 |
| CSER4001 | 4" | - | 10 | 78 |



One-Hole BX Type

| Cat. # | Size | Unit Ctn | Std Pkg | WT/100 |
|---------|---------------------------|----------|---------|--------|
| CSBX381 | 12-2, 12-3, 10-2, 10-3 | 100 | 1000 | 1 |

Two-Hole EMT Type

| Cat. # | Size | Unit Ctn | Std Pkg | WT/100 |
|-----------|--------|----------|---------|--------|
| CSE502* | 1/2" | 100 | 1000 | 2 |
| CSE752* | 3/4" | 100 | 500 | 3 |
| CSE1002* | 1" | 50 | 250 | 3 |
| CSE1252* | 1-1/4" | 30 | 150 | 6 |
| CSE1502* | 1-1/2" | 25 | 125 | 8 |
| CSE2002* | 2" | 15 | 75 | 14 |
| CSER2502* | 2-1/2" | - | 20 | 17 |
| CSER3002* | 3" | - | 10 | 23 |
| CSER3502* | 3-1/2" | - | 10 | 26 |
| CSER4002* | 4" | - | 10 | 33 |

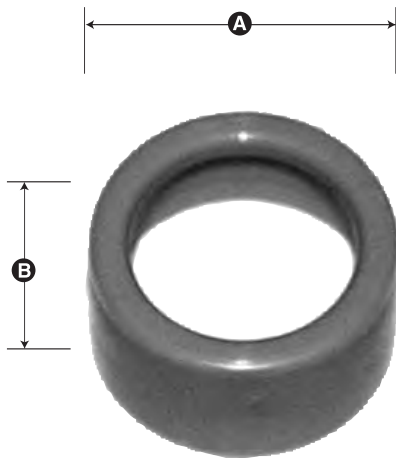


EMT Insulating Bushings

- Polyethylene
- temperature Rated at 90°
- Offers protection for cables or wiring from sharp edges of EMT
- For use with computer, telephone, security, cable television & power



| Cat. # | Size | Unit Ctn | Std Pkg | WT/100 |
|--------|--------|----------|---------|--------|
| EIB50 | 1/2" | 100 | 1000 | 1 |
| EIB75 | 3/4" | 100 | 500 | 1 |
| EIB100 | 1" | 50 | 250 | 1 |
| EIB125 | 1-1/4" | 40 | 200 | 1 |
| EIB150 | 1-1/2" | 40 | 200 | 2 |
| EIB200 | 2" | - | 50 | 2 |
| EIB250 | 2-1/2" | - | 25 | 4 |
| EIB300 | 3" | - | 25 | 6 |
| EIB350 | 3-1/2" | - | 20 | 7 |
| EIB400 | 4" | - | 15 | 11 |



| Cat. # | A | B |
|--------|-------|-------|
| EIB50 | .558 | .537 |
| EIB75 | .743 | .525 |
| EIB100 | .945 | .635 |
| EIB125 | 1.240 | .625 |
| EIB150 | 1.440 | .625 |
| EIB200 | 1.870 | .625 |
| EIB250 | 2.240 | 1.230 |
| EIB300 | 2.750 | 1.230 |
| EIB350 | 3.340 | 1.110 |
| EIB400 | 3.770 | 1.230 |



Since 1946

Wire Mesh

We have taken our excellence and combined quality steel mesh to create the best grips in the industry. **American Fittings Wire Mesh** cable grip and cord grip bodies are safe and strong in any industrial environment. They are designed to prevent cable pullout and reduce the arc of bend at points of wire connections and terminations.

Liquid Tight Mesh Grips for Flexible Metal Conduit – STR GT Series

Applications: electrical enclosures, motors, machine tools

- Prevents pullout for motion strain and stress related applications
- Multi-weave stainless steel mesh
- Available in straight, 90° and 45°
- Suitable for hazardous locations

Deluxe Cord Grips – CG GT Series

Applications include: drop stations, moveable machinery, pumps and heavy duty applications

- Liquid Tight
- Multi weave stainless steel mesh
- Indoor and outdoor use
- Neoprene bushing for oil and watertight seal



Wide Range Bus Drop Strain Relief SR & SRB Series

Applications include: portable power tools, electrical enclosures, machine tools, power boxes, panel boards, light to moderate applications

- One piece convenience
- Galvanized steel mesh
- Aluminum body
- Dust proof

Bus Drop Supports – BD Series

Applications include elevator shafts, buildings, utility poles, construction sites, factories

- Galvanized steel, Single eye, permanent support
- Safety Springs – SS Series
- Steel with zinc plating
- Available in 40 and 80 lb. test

Junior Pulling Grips – PJ Series

Applications include aerial distribution cables, pulling rope for re-wiring and wiring commercial and industrial buildings.

Inside this section

Liquid Tight Connectors with Stainless Steel Mesh Grips 59-60

Liquid Tight Flexible Metal MS Connectors with Stainless Steel Mesh . . . 61

Deluxe Cord Grips with Stainless Steel Mesh 62-66

Wide Range Strain Relief Grips 67

Bus Drop Supports 67

Junior Pulling Grips 68

Safety Springs 68

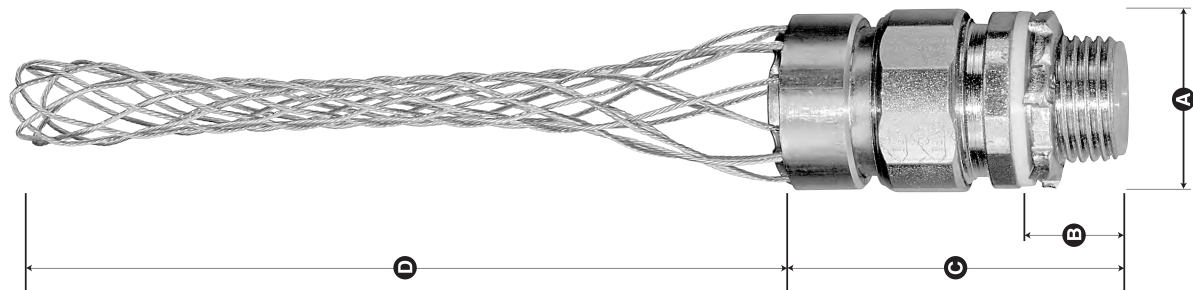
Liquid Tight Connectors with Stainless Steel Mesh Grips

- Prevents pullout from motion, strain and stress
- Multi-weave stainless steel mesh
- Suitable for hazardous locations, Class I, Div. 2; Class II, Div. 1&2; Class III, Div. 1&2
- Sealing washer and locknut included
- Includes insulated throat
- Reusable

Straight Connectors

| Cat. # | Size | Std Pkg | WT/100 |
|----------|--------|---------|--------|
| STR38GT | 3/8" | 10 | 15 |
| STR50GT | 1/2" | 10 | 20 |
| STR75GT | 3/4" | 10 | 25 |
| STR100GT | 1" | 10 | 35 |
| STR125GT | 1-1/4" | 2 | 60 |
| STR150GT | 1-1/2" | 2 | 85 |
| STR200GT | 2" | 2 | 130 |

*Larger sizes available upon request



E93605



LR61799

Dimensional Table

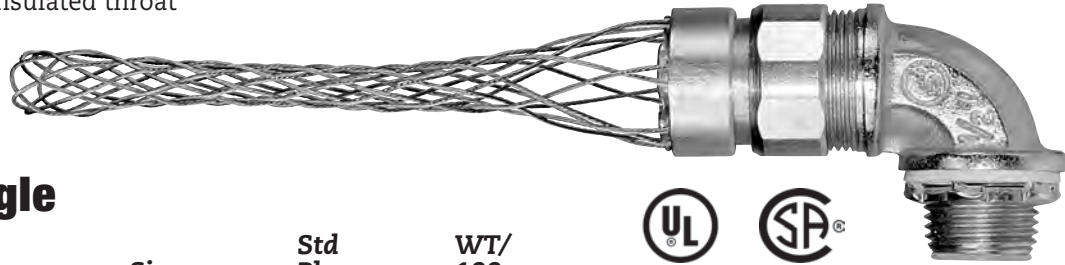
| Cat. # | A Diameter | B Length of Thread | C Connector Length | D Mesh Length |
|----------|---------------|--------------------------|--------------------------|---------------------|
| STR38GT | 1.06 | .59 | 1.43 | 6.00 |
| STR50GT | 1.19 | .59 | 1.43 | 5.25 |
| STR75GT | 1.38 | .59 | 1.56 | 6.50 |
| STR100GT | 1.69 | .66 | 1.69 | 7.75 |
| STR125GT | 2.06 | .63 | 2.03 | 10.63 |
| STR150GT | 2.38 | .63 | 2.22 | 11.00 |
| STR200GT | 2.88 | .66 | 2.28 | 14.00 |



Since 1946

Liquid Tight Connectors with Stainless Steel Mesh Grips

- Prevents pullout from motion, strain and stress
- Multi-weave stainless steel mesh
- Suitable for hazardous locations, Class I, Div. 2; Class II, Div. 1&2; Class III, Div. 1&2
- Sealing washer and locknut included
- Includes insulated throat
- Reusable



90° Angle

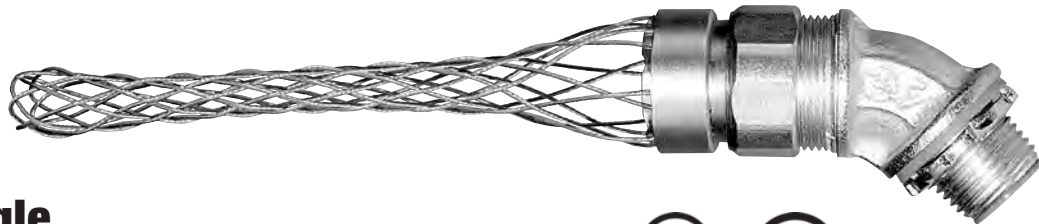
| Cat. # | Size | Std Pkg | WT/100 |
|------------|--------|---------|--------|
| STR3890GT | 3/8" | 10 | 25 |
| STR5090GT | 1/2" | 10 | 25 |
| STR7590GT | 3/4" | 10 | 40 |
| STR10090GT | 1" | 10 | 70 |
| STR12590GT | 1-1/4" | 2 | 95 |
| STR15090GT | 1-1/2" | 2 | 130 |
| STR20090GT | 2" | 2 | 195 |



Dimensional Table

| Cat. # | Mesh Length |
|------------|-------------|
| STR3890GT | 6.00 |
| STR5090GT | 5.25 |
| STR7590GT | 6.50 |
| STR10090GT | 7.75 |
| STR12590GT | 10.63 |
| STR15090GT | 11.00 |
| STR20090GT | 14.00 |

* Larger sizes available upon request



45° Angle

| Cat. # | Size | Std Pkg | WT/100 |
|------------|--------|---------|--------|
| STR3845GT | 3/8" | 10 | 20 |
| STR5045GT | 1/2" | 10 | 22 |
| STR7545GT | 3/4" | 10 | 35 |
| STR10045GT | 1" | 10 | 65 |
| STR12545GT | 1-1/4" | 2 | 85 |
| STR15045GT | 1-1/2" | 2 | 115 |
| STR20045GT | 2" | 2 | 175 |



Dimensional Table

| Cat. # | Mesh Length |
|------------|-------------|
| STR3845GT | 6.00 |
| STR5045GT | 5.25 |
| STR7545GT | 6.50 |
| STR10045GT | 7.75 |
| STR12545GT | 10.63 |
| STR15045GT | 11.00 |
| STR20045GT | 14.00 |

* Larger sizes available upon request



Since 1946

Liquid Tight Flexible Metal MS Connectors with Stainless Steel Mesh

(Cannon Type Plug Adaptor)

- UL rated Liquid Tight conduit to female thread
- For industrial applications where liquid tight conduit needs to be connected to female multi pin plug (Cannon type)
- Made from corrosion resistant machined steel, zinc plated



E93605



LR61799

| Cat. # | Size | AN-MS Conn Shell Size | Thread Size | Unit Ctn | Std Pkg | WT/ 100 |
|--------------|------|--------------------------|--------------------|-------------|------------|------------|
| STR38807MSGT | 3/8" | | 20.5mm x 1.25mm | 10 | 50 | 10 |
| STR3814MSGT | 3/8" | 14, 14S | 3/4"-20 UNEF 2B | 10 | 50 | 10 |
| STR3818MSGT | 3/8" | 18 | 1"-20 UNEF 2B | 10 | 50 | 10 |
| STR5018MSGT | 1/2" | 18 | 1"-20 UNEF 2B | 10 | 50 | 14 |
| STR5020MSGT | 1/2" | 20, 22 | 1-3/16"-18 UNEF 2B | 5 | 25 | 16 |
| STR7520MSGT | 3/4" | 20, 22 | 1-3/16"-18 UNEF 2B | 5 | 25 | 18 |

Dimensional Table

| Cat. # | Mesh Length |
|--------------|-------------|
| STR38807MSGT | 6.00 |
| STR3814MSGT | 6.00 |
| STR3818MSGT | 5.25 |
| STR5018MSGT | 5.25 |
| STR5020MSGT | 6.80 |
| STR7520MSGT | 6.50 |



Since 1946

Deluxe Cord Grips with Stainless Steel Mesh

- Industrial specification grade screw machined steel, zinc plated
- UL rated Liquid Tight
- Multi-weave stainless steel mesh
- Indoor and outdoor use
- Color coded grommet to indicate cable diameter range and to insure an oil and watertight seal



Straight Connectors

| Cat. # | Color | Size | Cable Ranges | | Std Pkg | WT/ 100 |
|--------------|--------|------|--------------|-------|---------|---------|
| | | | Min. | Max. | | |
| CG50A250GT | Red | 1/2" | .150 | .250 | 5 | 10 |
| CG50A350GT | White | 1/2" | .250 | .350 | 5 | 10 |
| CG50A450GT | Blue | 1/2" | .350 | .450 | 5 | 10 |
| CG50A560GT | Green | 1/2" | .450 | .560 | 5 | 10 |
| CG50A650GT | Brown | 1/2" | .560 | .650 | 5 | 10 |
| CG75A250GT | Red | 3/4" | .150 | .250 | 5 | 15 |
| CG75A350GT | White | 3/4" | .250 | .350 | 5 | 15 |
| CG75A450GT | Blue | 3/4" | .350 | .450 | 5 | 15 |
| CG75A560GT | Green | 3/4" | .450 | .560 | 5 | 20 |
| CG75A650GT | Brown | 3/4" | .560 | .650 | 5 | 20 |
| CG75B750GT | Yellow | 3/4" | .650 | .750 | 5 | 20 |
| CG75B850GT | Purple | 3/4" | .750 | .850 | 5 | 25 |
| CG100B560GT | Green | 1" | .450 | .560 | 5 | 30 |
| CG100B650GT | Brown | 1" | .560 | .650 | 5 | 30 |
| CG100B750GT | Yellow | 1" | .650 | .750 | 5 | 30 |
| CG100B850GT | Purple | 1" | .750 | .850 | 5 | 35 |
| CG100C950GT | Grey | 1" | .850 | .950 | 5 | 35 |
| CG100C1050GT | Black | 1" | .950 | 1.050 | 5 | 40 |

Larger size cord grips with mesh available upon request



Deluxe Cord Grips with Stainless Steel Mesh

- Industrial specification grade screw machined steel, zinc plated
- UL rated Liquid Tight
- Multi-weave stainless steel mesh
- Indoor and outdoor use
- Color coded grommet to indicate cable diameter range and to insure an oil and watertight seal



Straight Connectors

| Cat. # | Color | Size | Cable Ranges Min. | Max. | Std Pkg | WT/ 100 |
|--------------|--------|--------|----------------------|-------|------------|------------|
| CG125C850GT | Purple | 1-1/4" | .750 | .850 | 5 | 48 |
| CG125C950GT | Grey | 1-1/4" | .850 | .950 | 5 | 48 |
| CG125D1050GT | Black | 1-1/4" | .950 | 1.050 | 5 | 48 |
| CG125D1150GT | Orange | 1-1/4" | 1.050 | 1.150 | 5 | 48 |
| CG125D1250GT | Red | 1-1/4" | 1.150 | 1.250 | 5 | 48 |
| CG125D1375GT | White | 1-1/4" | 1.250 | 1.375 | 5 | 48 |
| CG150D1050GT | Black | 1-1/2" | .950 | 1.050 | 2 | 90 |
| CG150D1150GT | Orange | 1-1/2" | 1.050 | 1.150 | 2 | 90 |
| CG150D1250GT | Red | 1-1/2" | 1.150 | 1.250 | 2 | 90 |
| CG150D1375GT | White | 1-1/2" | 1.250 | 1.375 | 2 | 90 |
| CG150E1500GT | Blue | 1-1/2" | 1.380 | 1.500 | 2 | 90 |
| CG150E1630GT | Green | 1-1/2" | 1.500 | 1.630 | 2 | 90 |
| CG150E1750GT | Brown | 1-1/2" | 1.630 | 1.750 | 2 | 90 |
| CG150E1880GT | Purple | 1-1/2" | 1.750 | 1.880 | 2 | 90 |
| CG200F1380GT | Red | 2" | 1.250 | 1.380 | 2 | 125 |
| CG200F1500GT | Blue | 2" | 1.380 | 1.500 | 2 | 125 |
| CG200F1630GT | Green | 2" | 1.500 | 1.630 | 2 | 125 |
| CG200F1750GT | Brown | 2" | 1.630 | 1.750 | 2 | 125 |
| CG200F1810GT | Yellow | 2" | 1.690 | 1.810 | 2 | 125 |
| CG200F1880GT | Purple | 2" | 1.750 | 1.880 | 2 | 125 |
| CG200F1940GT | White | 2" | 1.810 | 1.940 | 2 | 125 |
| CG200F2060GT | Orange | 2" | 1.940 | 2.060 | 2 | 125 |

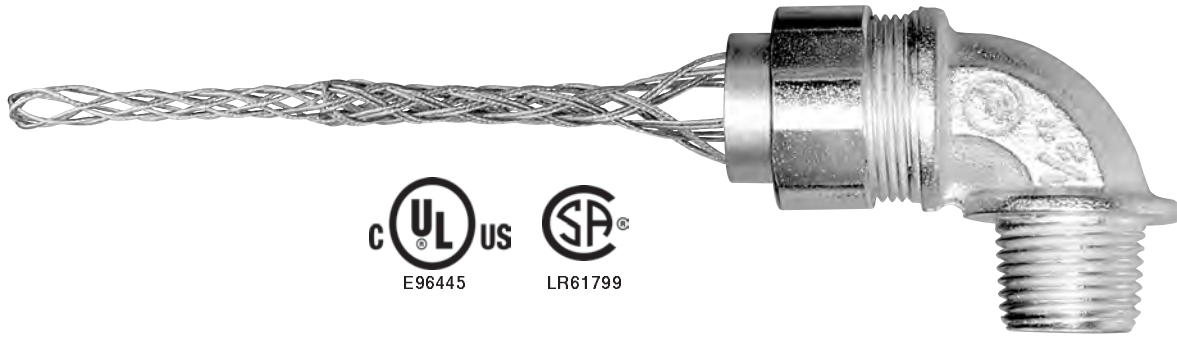
** Cable jacket may have to be stripped to pass through connector body



Since 1946

Deluxe Cord Grips with Stainless Steel Mesh

- Industrial specification grade steel, zinc plated
- UL rated Liquid Tight
- Multi-weave stainless steel mesh
- Indoor and outdoor use
- Color coded grommet to indicate cable diameter range and to insure an oil and watertight seal



90° Angle Connectors

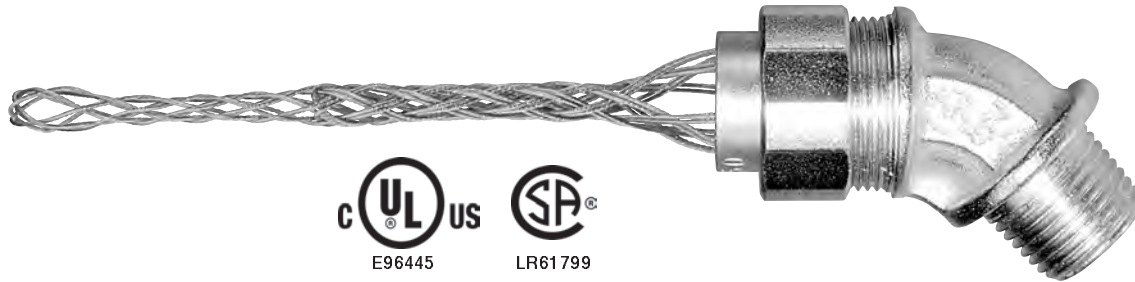
| Cat. # | Color | Size | Cable Ranges | | Std Pkg | WT/100 |
|----------------|--------|------|--------------|-------|---------|--------|
| | | | Min. | Max. | | |
| CG50A25090GT | Red | 1/2" | .150 | .250 | 5 | 25 |
| CG50A35090GT | White | 1/2" | .250 | .350 | 5 | 25 |
| CG50A45090GT | Blue | 1/2" | .350 | .450 | 5 | 25 |
| CG50A56090GT | Green | 1/2" | .450 | .560 | 5 | 25 |
| CG50A65090GT | Brown | 1/2" | .560 | .650 | 5 | 25 |
| CG75A25090GT | Red | 3/4" | .150 | .250 | 5 | 45 |
| CG75A35090GT | White | 3/4" | .250 | .350 | 5 | 45 |
| CG75A45090GT | Blue | 3/4" | .350 | .450 | 5 | 45 |
| CG75A56090GT | Green | 3/4" | .450 | .560 | 5 | 45 |
| CG75A65090GT | Brown | 3/4" | .560 | .650 | 5 | 45 |
| CG75B75090GT | Yellow | 3/4" | .650 | .750 | 5 | 45 |
| CG75B85090GT | Purple | 3/4" | .750 | .850 | 5 | 45 |
| CG100B56090GT | Green | 1" | .450 | .560 | 5 | 68 |
| CG100B65090GT | Brown | 1" | .560 | .650 | 5 | 68 |
| CG100B75090GT | Yellow | 1" | .650 | .750 | 5 | 68 |
| CG100B85090GT | Purple | 1" | .750 | .850 | 5 | 68 |
| CG100C95090GT | Grey | 1" | .860 | .950 | 5 | 68 |
| CG100C105090GT | Black | 1" | .950 | 1.050 | 5 | 68 |



Since 1946

Deluxe Cord Grips with Stainless Steel Mesh

- Industrial specification grade steel, zinc plated
- UL rated Liquid Tight
- Multi-weave stainless steel mesh
- Indoor and outdoor use
- Color coded grommet to indicate cable diameter range and to insure an oil and watertight seal



45° Angle Connectors

| Cat. # | Color | Size | Cable Ranges | | Std Pkg | WT/100 |
|----------------|--------|------|--------------|-------|---------|--------|
| | | | Min. | Max. | | |
| CG50A25045GT | Red | 1/2" | .150 | .250 | 5 | 25 |
| CG50A35045GT | White | 1/2" | .250 | .350 | 5 | 25 |
| CG50A45045GT | Blue | 1/2" | .350 | .450 | 5 | 25 |
| CG50A56045GT | Green | 1/2" | .450 | .560 | 5 | 25 |
| CG50A65045GT | Brown | 1/2" | .560 | .650 | 5 | 25 |
| CG75A25045GT | Red | 3/4" | .150 | .250 | 5 | 40 |
| CG75A35045GT | White | 3/4" | .250 | .350 | 5 | 40 |
| CG75A45045GT | Blue | 3/4" | .350 | .450 | 5 | 40 |
| CG75A56045GT | Green | 3/4" | .450 | .560 | 5 | 40 |
| CG75A65045GT | Brown | 3/4" | .560 | .650 | 5 | 40 |
| CG75B75045GT | Yellow | 3/4" | .650 | .750 | 5 | 40 |
| CG75B85045GT | Purple | 3/4" | .750 | .850 | 5 | 40 |
| CG100B56045GT | Green | 1" | .450 | .560 | 5 | 68 |
| CG100B65045GT | Brown | 1" | .560 | .650 | 5 | 68 |
| CG100B75045GT | Yellow | 1" | .650 | .750 | 5 | 68 |
| CG100B85045GT | Purple | 1" | .750 | .850 | 5 | 68 |
| CG100C95045GT | Grey | 1" | .850 | .950 | 5 | 68 |
| CG100C105045GT | Black | 1" | .950 | 1.050 | 5 | 68 |



Since 1946

Deluxe Aluminum Cord Grips with Stainless Steel Mesh

- Screw machined lightweight, durable aluminum
- Resistant to moisture and most normal and hazardous atmospheric conditions
- UL rated Liquid Tight
- Multi-weave stainless steel mesh
- Indoor and outdoor use
- Color coded grommet to indicate cable diameter range and to insure an oil and watertight seal



Straight Connectors

| Cat. # | Color | Size | Cable Ranges | | Std Pkg | WT/100 |
|----------|--------|------|--------------|------|---------|--------|
| | | | Min. | Max. | | |
| CG1ALGT | Red | 1/2" | .150 | .250 | 5 | 5 |
| CG2ALGT | White | 1/2" | .250 | .350 | 5 | 5 |
| CG3ALGT | Blue | 1/2" | .350 | .450 | 5 | 5 |
| CG4ALGT | Green | 1/2" | .450 | .560 | 5 | 5 |
| CG5ALGT | Brown | 1/2" | .560 | .650 | 5 | 5 |
| CG6ALGT | Red | 3/4" | .150 | .250 | 5 | 8 |
| CG7ALGT | White | 3/4" | .250 | .350 | 5 | 8 |
| CG8ALGT | Blue | 3/4" | .350 | .450 | 5 | 8 |
| CG9ALGT | Green | 3/4" | .450 | .560 | 5 | 10 |
| CG10ALGT | Brown | 3/4" | .560 | .650 | 5 | 10 |
| CG11ALGT | Yellow | 3/4" | .650 | .750 | 5 | 10 |
| CG12ALGT | Purple | 3/4" | .750 | .850 | 5 | 13 |



Wide Range Strain Relief Grips

- Galvanized steel mesh
- One piece convenience
- Aluminum body
- Dust proof
- Indoor use



| Cat. # | Size | Cable Ranges | | Mesh Length | Std Pkg | WT/100 |
|---------|---------------|--------------|------|-------------|---------|--------|
| | | Min. | Max. | | | |
| SR001 | 1/2" N.P.T. | .220 | .320 | 4.00 | 5 | 6 |
| SR002 | 1/2" N.P.T. | .300 | .430 | 5.25 | 10 | 6 |
| SR003 | 1/2" N.P.T. | .400 | .540 | 6.75 | 10 | 7 |
| SR004 | 3/4" N.P.T. | .520 | .730 | 8.63 | 10 | 10 |
| SR005 | 1" N.P.T. | .700 | .970 | 10.00 | 5 | 15 |
| SR006 | 1-1/4" N.P.T. | .940 | 1.20 | 13.00 | 5 | 28 |
| SRB008* | 1/2" N.P.S. | .220 | .320 | 4.50 | 5 | 6 |
| SRB009* | 1/2" N.P.S. | .300 | .430 | 5.25 | 10 | 6 |
| SRB010* | 1/2" N.P.S. | .400 | .540 | 6.75 | 10 | 7 |
| SRB011* | 3/4" N.P.S. | .520 | .730 | 8.62 | 10 | 10 |
| SRB012* | 1" N.P.S. | .700 | .970 | 10.00 | 5 | 17 |
| SRB013* | 1-1/4" N.P.S. | .940 | 1.25 | 13.00 | 5 | 32 |
| SRB014* | 1-1/2" N.P.S. | 1.20 | 1.50 | 15.50 | 5 | 35 |
| SRB015* | 2" N.P.S. | 1.40 | 1.75 | 18.00 | 2 | 57 |
| SRB016* | 2-1/2" N.P.S. | 1.62 | 2.00 | 20.50 | 2 | 90 |
| SRB017* | 2-1/2" N.P.S. | 2.00 | 2.45 | 22.00 | 2 | 92 |

*Includes insulating bushing

Bus Drop Supports

- Galvanized steel mesh
- Permanent support
- Relieves tension and absorbs vibration



| Cat. # | Cable Ranges | | Length Eye | Length Mesh | Std Pkg | WT/100 |
|-----------|--------------|------|------------|-------------|---------|--------|
| | Min. | Max. | | | | |
| BD032* | .220 | .32 | 3 | 4.50 | 5 | 2 |
| BD043* | .300 | .43 | 4 | 5.13 | 10 | 2 |
| BD056* | .410 | .56 | 6 | 6.38 | 10 | 4 |
| BD073* | .530 | .73 | 7 | 8.00 | 10 | 5 |
| BD085* | .700 | .85 | 7 | 10.00 | 5 | 9 |
| BD100* | .820 | 1.00 | 8 | 11.00 | 5 | 10 |
| BD125* | .960 | 1.25 | 9 | 14.00 | 5 | 13 |
| BD032UB** | .220 | .32 | 9 | 4.50 | 5 | 2 |
| BD043UB** | .300 | .43 | 10 | 5.13 | 10 | 2 |
| BD056UB** | .410 | .56 | 12 | 6.38 | 10 | 5 |
| BD073UB** | .530 | .73 | 13 | 8.00 | 10 | 6 |
| BD085UB** | .700 | .85 | 13 | 16.00 | 5 | 11 |
| BD100UB** | .820 | 1.00 | 14 | 11.00 | 5 | 13 |
| BD125UB** | .960 | 1.25 | 15 | 14.00 | 5 | 16 |

* Single eye ** Universal Bail

Junior Pulling Grips

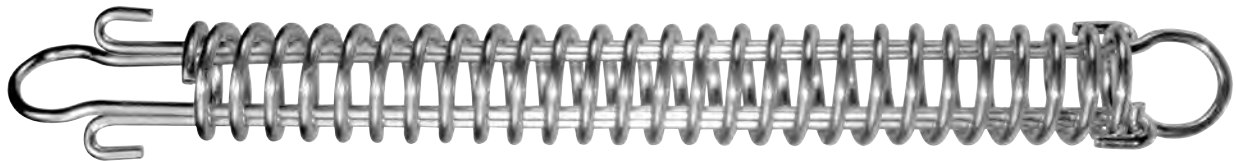
- Flexible eye
- High grade galvanized steel mesh
- Reusable



| Cat. # | Cable Ranges | | Length Eye | Length Mesh | Std Pkg | WT/100 |
|------------|--------------|------|------------|-------------|---------|--------|
| | Min. | Max. | | | | |
| PJ024 | .19 | .24 | 1/2" | 4.25 | 1 | 2 |
| PJ036 | .25 | .36 | 1/2" | 7.00 | 1 | 2 |
| PJ049 | .34 | .49 | 1/2" | 10.12 | 1 | 3 |
| PJ061 | .50 | .61 | 1/2" | 11.75 | 1 | 6 |
| PJ074 | .62 | .74 | 1/2" | 13.25 | 1 | 10 |
| PJ099 | .75 | .99 | 3/4" | 14.00 | 1 | 15 |
| PJ125 | 1.00 | 1.25 | 3/4" | 15.87 | 1 | 23 |
| PJK-1(KIT) | .25 | 1.25 | - | - | 1 | 85 |

Safety Springs

- High strength galvanized steel
- Available in 40 and 80 lb. test
- Used with single eye bus drops



| Cat. # | Lbs. | Length | Diameter | Std Pkg | WT/100 |
|--------|------|--------|----------|---------|--------|
| SS40 | 40 | 8.25 | .75 | 10 | 18 |
| SS80 | 80 | 8.25 | 1.00 | 10 | 32 |



Catalog Number Cross-Reference by Manufacturer

All Specifications are subject to change without prior notice.

Cut Sheets in the catalog may be obtained individually at www.americanfittingscorp.com.

All Parts, Materials, and/or Articles in this catalog in blue type meet and comply with the Buy American ACT and the Buy American Improvement ACT of 2005.

All Parts, Materials, and/or Articles in this catalog in black type may or may not comply with the Buy American ACT and the Buy American Improvement ACT of 2005, if necessary please check with the factory.

Federal Specifications: AMERICAN FITTINGS Corporation in most cases complies with W-F-406C (liquid tight) and W-F-408E, the general classification.

Copies of UL, CSA certifications can be obtained by contacting the factory.

All dimensions in this catalog are shown in inches unless otherwise stated.

All dimensions as shown are subject to Standard Industry tolerances.

Industry Cross References are provided as a reference to offer suitability in support of it, form, and functionality of parts, interchangeability of parts is not provided.

You may read our Full Terms and Conditions of Sale at the back of this catalog.

© 2008 Copyright American Fittings Corp., Westwood, NJ - All Rights Reserved.



For items displayed on page 62 and 67

| AMFICO | Bryant | Kellems | Pass & Seymour | Pyle National | Remke | Woodhead |
|--------------|---------|---------------|----------------|----------------|-----------------|------------|
| BD032 | BD524U | 73041276 | FC22 | | 7304001 | 36560 |
| BD043 | BD532U | 73041277 | FC30 | | 7304002 | 36562 |
| BD056 | BD543U | 73041278 | FC40 | | 7304003 | 36564 |
| BD073 | BD556U | 73041279 | FC52 | | 7304004 | 36567 |
| BD085 | BD573U | 73041280 | FC70 | | 7304005 | 36569 |
| BD100 | BD585U | 73041281 | | | 7304006 | 36571 |
| BD125 | BD5100U | 73041282 | FC94 | | 7304007 | 36574 |
| BD032UB | BD524L | 73041283 | FC22LB | | 7304009 | 36580 |
| BD043UB | BD532L | 73041284 | FC30LB | | 7304010 | 36582 |
| BD056UB | BD543L | 73041285 | FC40LB | | 7304011 | 36584 |
| BD073UB | BD556L | 73041286 | FC52LB | | 7304012 | 36587 |
| BD085UB | BD573L | 73041287 | FC70LB | | 7304013 | 36589 |
| BD100UB | BD585L | 73041288 | | | 7304014 | 36591 |
| BD125UB | BD5100L | 73041289 | FC94LB | | 7304015 | 36594 |
| CG50A250GT | DC1812 | 7401004 | | DBKM1205 | RSRS104E | 36250 |
| CG50A350GT | DC2512 | 7401006 | CG405, 406 | DBKM1205, 1026 | RSRS105E, 106E | 36251 |
| CG50A450GT | DC3712 | 7401008 | CG407 | DBKM1207, 1208 | RSRS107E | 36251, 254 |
| CG50A560GT | DC5012 | 07401008, 10 | CG408, 409 | DBKM1208, 1209 | RSRS108E, 109E | 36254, 256 |
| CG50A650GT | DC6212 | 7401010 | CG410, 411 | DBKM1210, 1311 | RSRS110E, 1211E | 36256, 245 |
| CG75A250GT | DC1834 | 7401011 | | DBKM2205 | | 36247 |
| CG75A350GT | DC2534 | 7401013 | CG606 | DBKM2205, 2206 | | 36257 |
| CG75A450GT | DC3734 | 7401015 | CG607 | DBKM2207, 2208 | RSRS208E | 36257, 259 |
| CG75A560GT | DC3734 | 07401015, 017 | CG608, 609 | DBKM2208, 2209 | RSRS209E | 36259, 261 |
| CG75A650GT | DC5034 | 07401017, 018 | CG610, 611 | DBKM2210, 2311 | RSRS210E, 211E | 36261, 263 |
| CG75B750GT | DC6234 | 7401018 | CG612 | DBKM2312 | RS5S212E | 36263 |
| CG75B850GT | DC7534 | 74011249 | | DBKM2514 | RSRS213E | 36248 |
| CG100B560GT | DC501 | 074011195, 19 | CG809 | DBKM3308, 3309 | RSRS309E | 36249, 275 |
| CG100B650GT | DC501 | 7401019 | CG810, 811 | DBKM3310, 3311 | RSRS310E, 311E | 36275, 265 |
| CG100B750GT | DC621 | 7401021 | CG812, 813 | DBKM3311, 3312 | RSRS312E, 313E | 36265 |
| CG100B850GT | DC751 | 07401023, 025 | CG814, 815 | DBKM3513, 3514 | RSRS314E, 315E | 36267 |
| CG100C950GT | DC871 | 7401025 | CG815, 816 | DBKM3515, 3516 | RSRS315E, 316E | 36267, 269 |
| CG100C1050GT | DC871 | 7401025 | CG816 | DBKM3516 | RSRS316E | 36269 |
| CG125C850GT | | 74011251 | | DBZM4714K | | 36277 |

Please Note: Comparisons are functional and parts may not be interchangeable

| AMFICO | Bryant | Kellems | Pass & Seymour | Pyle National | Remke | Woodhead |
|--------------|-----------------|---------------|----------------|----------------|-------|--------------|
| CG125C950GT | DC87114 | 7401026 | CG1016 | DBZM4716K | | 36271 |
| CG125D1050GT | DC87114 | 7401026 | CG1016 | DBZM4716K | | 36271 |
| CG125D1150GT | DC100114 | 7401027 | CG1018 | DBZM4718K | | 36272 |
| CG125D1250GT | DC112114 | 7401028 | CG1020 | DBZM4720K | | 36273 |
| CG125D1375GT | DC125114 | 74011178 | CG1022 | DBZM4722K | | 36274 |
| CG150D1050GT | DC87112 | 7401029 | | DBZM5716K | | 36475 |
| CG150D1150GT | DC100112 | 7401030 | CG218 | DBZM5718K | | 36476 |
| CG150D1250GT | DC112112 | 7401031 | CG1220 | DBZM5720K | | 36477 |
| CG150D1375GT | DC125112 | 7401032 | CG1222 | DBZM5722K | | 36478 |
| CG150E1500GT | DC131112,143112 | 74011253,254 | | DBZM5824K | | 36480 |
| CG150E1630GT | DC143112,156112 | 74011254,255 | | DBZM5826K | | 36481 |
| CG150E1750GT | DC156112,168112 | 74011255,256 | | DBZM5828K | | 36482 |
| CG150E1880GT | DC168112 | 74011256,257 | | | | 36483 |
| CG200F1380GT | DC1312 | 74011258 | | | | 36484 |
| CG200F1500GT | DC1312,1432 | 74011259 | | DBZM6824K | | 36279, 36485 |
| CG200F1630GT | DC1432,1562 | 7401033, 034 | | DBZM6826K | | 36486 |
| CG200F1750GT | DC1562,1682 | 7401034,035 | | DBZM6828K | | 36487 |
| CG200F1810GT | DC1682 | 07401035 | | DBZM6830K | | 36488 |
| CG200F1880GT | DC1752 | 074011260 | | DBZM6830K | | 36488 |
| CG200F1940GT | DC181X2 | 074011261 | | | | 36489 |
| CG200F2060GT | DC1932 | 74011262 | | | | 36816 |
| CG50A25090GT | DC18912 | 7401074 | | DBKL1205 | | 36340 |
| CG50A35090GT | DC25912 | 7401076 | GC40590, 690 | DBKL1205, 1206 | | 36342 |
| CG50A45090GT | DC37912 | 07401076, 078 | GC40790 | DBKL1207, 1208 | | 36344 |
| CG50A56090GT | DC50912 | 07401078, 080 | GC40890, 990 | DBKL1208, 1209 | | 36344, 46 |
| CG50A65090GT | | 7401080 | GC41090 | DBKL1210 | | 36346 |
| CG75A25090GT | | | | | | 36828 |
| CG75A35090GT | | | | DBKL2306 | | 36347 |

Please Note: Comparisons are functional and parts may not be interchangeable

Catalog Number Cross-Reference by Manufacturer

| AMFICO | Bryant | Kellems | Pass & Seymour | Pyle National | Remke | Woodhead |
|----------------|---------|-----------------|----------------|----------------|-------|-----------|
| CG75A45090GT | DC37934 | 7401081 | | DBKL2306, 2307 | | 36349 |
| CG75A56090GT | DC50934 | 7401081 | CG60890, 990 | DBKL2308, 2309 | | 36349, 51 |
| CG75A65090GT | DC50934 | 07401081, 083 | CG61090, 190 | DBKL2310 | | 36351 |
| CG75B75090GT | DC62934 | 07401083, 084 | CG61190, 290 | DBKL2311, 2312 | | 36353 |
| CG75B85090GT | | 7401084 | | | | |
| CG100B56090GT | DC5091 | 74011275 | | | | 36829, 30 |
| CG100B65090GT | DC5091 | 7401085 | | | | 36830 |
| CG100B75090GT | DC6291 | 7401085 | CG81390 | DBKL3513 | | 36355 |
| CG100B85090GT | DC7591 | 7401087 | CG81490 | DBKL3514 | | 36357 |
| CG100C95090GT | DC8791 | 7401089 | CG81590 | DBKL3515 | | 36359 |
| CG100C105090GT | DC8791 | 74011229 | CG81690 | DBKL3516 | | 36359 |
| CG50A25045GT | DC18412 | 74011235 | | DBKA1205 | | 36310 |
| CG50A35045GT | DC25412 | 74011236 | CG40545, 645 | DBKA1205, 1206 | | 36312 |
| CG50A45045GT | DC37412 | 074011236, 1021 | CG40745 | DBKA1207, 1208 | | 36314 |
| CG50A56045GT | DC50412 | 074011021, 1237 | CG40845, 945 | DBKA1208, 1209 | | 36314, 16 |
| CG50A65045GT | | 74011237 | CG41045 | DBKA1210 | | 36316 |
| CG75A25045GT | | | | | | 36825 |
| CG75A35045GT | | | | DBKA2306 | | 36317 |
| CG75A46045GT | DC37434 | 74011238 | | DBKA2306, 2307 | | 36319 |
| CG75A56045GT | DC50434 | 074011238, 1049 | CG60845, 945 | DBKA2308, 2309 | | 36319, 21 |
| CG75A65045GT | DC50434 | 074011049, 1051 | CG61045, 145 | DBKA2310 | | 36321 |
| CG75B75045GT | DC62434 | 74011051 | CG61145, 245 | DBKA2311, 2312 | | 36323 |
| CG75B85045GT | | 74011239 | | | | |
| CG100B56045GT | DC5041 | | | | | 36826, 27 |
| CG100B65045GT | DC5041 | 74011055 | | | | 36827 |
| CG100B75045GT | DC6241 | 74011055 | CG81345 | DBKA3513 | | 36326 |
| CG100B85045GT | DC7541 | 74011057 | CG81445 | DBKA3514 | | 36328 |
| CG100C95045GT | DC8741 | 74011199 | CG81545 | DBKA3515 | | 36330 |
| CG100C105045GT | DC8741 | 74011199 | CG81645 | DBKA3516 | | 36330 |

Please Note: Comparisons are functional and parts may not be interchangeable

| AMFICO | Appleton | Crouse Hinds | Dottie | Kellems | Madison | Neer | OZ Gedney | RACO | Remke | T & B |
|---------------|-----------------|-------------------------|---------------|----------------|----------------|-------------|------------------|-------------|------------------------|------------------|
| CG50A2222H | | | | | | | | | RSR10732-2/120732-2 | |
| CG50A2223H | | | | | | | | | RSR10732-3 | |
| CG50A250 | CG1250S | CGB114 | SR50A250 | SHC1021ZP | MCG50A250 | SRA350 | SR502 | 37021 | RSRS103/104 | 2520 |
| CG50A350 | CG1850S | CGB116 | SR50A350 | SHC1022ZP | MCG50A350 | SRA450 | SR503 | 37022 | RSRS105/106 | 2521 |
| CG50A450 | CG3150S | CGB117 | SR50A450 | SHC1023ZP | MCG50A450 | SRA450 | SR504 | 37023 | RSRS106/107/108 | 2522 |
| CG50A560 | CG3750S | CGB194 | SR50A560 | SHC1023ZP | MCG50A560 | SRA560 | SR505 | 37024 | RSRS108/109 | 2523 |
| CG50A650 | CG5050S | CGB195 | SR50A650 | SHC1024ZP | MCG50A650 | | SR506 | | RSRS110 | 2524 |
| CG75A2222H | | | | | | | | | RSR210732-2/20732-2 | |
| CG75A2223H | | | | | | | | | RSR210732-3 | |
| CG75A250 | CG1275S | CGB292 | SR75A250 | SHC1031ZP | MCG75A250 | | SR752 | | RSR2103/2104 ALUM | 2530 |
| CG75A350 | CG2575S | CGB293 | SR75A350 | SHC1032ZP | MCG75A350 | SRB350 | SR753 | 37031 | RSR2105/2106 ALUM | 2531 |
| CG75A450 | CG3775S | CGB294 | SR75A450 | SHC1033ZP | MCG75A450 | SRB450 | SR754 | 37032 | RSR2106/2107/2108 ALUM | 2532 |
| CG75A560 | CG3775S | CGB294 | SR75A560 | SHC1033ZP | MCG75A560 | SRB560 | SR755 | 37033 | RSRS209/210 | 2534 |
| CG75A650 | CG5075S | CGB295 | SR75A650 | SHC1034ZP | MCG75A650 | SRB650 | SR756 | | RSRS210/211 | |
| CG75B750 | CG6275S | CGB296 | SR75B750 | SHC1037ZP | MCG75B750 | | SR757 | 37036 | RSRS212 | 2535 |
| CG75B850 | CG7575S | CGB297 | SR75B850 | SHC1038ZP | MCG75B850 | | SR758 | 37035 | RSRS212/213 | 2536 |
| CG100B560 | CG37100S | CGB394 | | SHC1096ZP | MCG100B560 | | SR1005 | | RSRS309/310 | 2542 |
| CG100B650 | CG50100S | CGB395 | | SHC1097ZP | MCG100B650 | | SR1006 | 37041 | RSRS310/311 | 2544 |
| CG100B750 | CG62100S | CGB396 | SR100B750 | SHC1098ZP | MCG100B750 | SRC750 | SR1007 | 37042 | RSRS312/313 | 2545 |
| CG100B850 | CG75100S | CGB397 | SR100B850 | SHC1099ZP | MCG100B850 | SRC850 | SR1008 | 37042 | RSRS313/314 | 2546 |
| CG100C950 | CG87100S | CGB398 | SR100B950 | SHC1043ZP | MCG100C950 | SRC950 | SR1009 | 37043 | RSRS314/315 | 2547 |
| CG100C1050 | CG100100S | CGB399 | SR100C1050 | SHC1043ZP | MCG100C1050 | SRC1050 | SR10010 | 37043 | RSR3516/3518 ALUM | 2548 |

Please Note: Comparisons are functional and parts may not be interchangeable

Catalog Number Cross-Reference by Manufacturer

| AMFICO | Appleton | Crouse Hinds | Kellems | Madison | OZ Gedney | RACO | Remke | T & B |
|------------|-----------|-----------------|-----------|-------------|-----------|-------|-----------------------|-------|
| CG125C850 | CG75125S | | SHC1050AL | MCG125C850 | | | RSR414 ALUM | |
| CG125C950 | CG87125S | CGB498 | SHC1051AL | MCG125C950 | | 37051 | RSR414/416 ALUM | 2558 |
| CG125D1050 | | CGB498 | SHC1051AL | MCG125D1050 | SR12510 | 37051 | RSR416/418 ALUM | 2558 |
| CG125D1150 | CG100125S | CGB499 | SHC1052ZP | MCG125D1150 | SR12512 | 37052 | RSR418/420 ALUM | 2559 |
| CG125D1250 | CG112125S | | SHC1053ZP | MCG125D1250 | SR12512 | 37052 | RSR420 ALUM | 2556 |
| CG125D1375 | CG125125S | CGB4911 | SHC1054ZP | MCG125D1375 | SR12514 | 37053 | RSR422 ALUM | 2556 |
| CG150D1050 | | CGB598 | SHC1056AL | MCG150D1050 | | | RSR516/518 ALUM | |
| CG150D1150 | | CGB599 | SHC1057ZP | MCG150D1150 | SR15012 | 37061 | RSR518/520 ALUM | 2563 |
| CG150D1250 | CG115150S | CGB5911 | SHC1058ZP | MCG150D1250 | SR15012 | 37061 | RSR520 ALUM | 2564 |
| CG150D1375 | CG115150S | CGB5911 | SHC1059ZP | MCG150D1375 | SR15014 | 37062 | RSR522/5622 ALUM | 2564 |
| CG150E1500 | CG128150S | CGB5913 | SHC1061AL | | SR15014 | | RSR5625 ALUM | 2565 |
| CG150E1630 | | CGB5913 | SHC1062AL | | SR15016 | | RSR5625/5627 ALUM | 2565 |
| CG150E1750 | | CGB5915 | SHC1063AL | | SR15018 | | RSR5627/5629 ALUM | |
| CG150E1880 | | CGB5915 | SHC1064AL | | SR15018 | | RSR5629 ALUM | |
| CG200F1380 | | | SHC1065AL | | SR20014 | | RSR622 ALUM | 2573 |
| CG200F1500 | | CGB6913 | SHC1066AL | | SR20016 | | RSR625 ALUM | 2574 |
| CG200F1630 | | CGB6913 | SHC1067AL | | SR20016 | | RSR625/627 ALUM | 2574 |
| CG200F1750 | | | SHC1068AL | | SR20018 | | RSR627/629/6729 ALUM | 2575 |
| CG200F1810 | | CGB6915 | SHC1070AL | | SR20018 | | RSR629/6729 ALUM | 2575 |
| CG200F1880 | | CGB6915 | SHC1069AL | | SR20018 | | RSR629/6729/6731 ALUM | 2576 |
| CG200F1940 | | CGB6917 | SHC1071AL | | | | RSR6731 ALUM | 2576 |
| CG200F2060 | | CGB6917 | SHC1072AL | | | | RSR6733 ALUM | 2577 |

Please Note: Comparisons are functional and parts may not be interchangeable

| AMFICO | Appleton | Crouse Hinds | OZ Gedney | RACO | T & B |
|--------------|-------------|--------------|-----------|-------|-------|
| CG50A25090 | CG901250S | CGE192 | SR9502 | 37921 | 2267 |
| CG50A35090 | CG902550S | CGE193 | SR9503 | 37922 | 2268 |
| CG50A45090 | CG903750S | CGE194 | SR9504 | 37923 | 2269 |
| CG50A56090 | | | SR9505 | 37924 | 2270 |
| CG50A65090 | CG905050S | CGE195 | SR9506 | | 2250 |
| CG75A25090 | | CGE292 | SR9752 | | 2252 |
| CG75A35090 | CG902575S | CGE293 | SR9753 | 37931 | 2271 |
| CG75A45090 | CG903775S | CGE294 | SR9754 | 37932 | 2272 |
| CG75A56090 | | | SR9755 | 37933 | 2273 |
| CG75A65090 | CG905075S | CGE295 | SR9756 | | |
| CG75B75090 | CG906275S | CGE296 | SR9757 | 37936 | 2274 |
| CG75B85090 | CG907575S | CGE297 | SR9758 | 37935 | 2253 |
| CG100B56090 | | | SR91005 | | 2254 |
| CG100B65090 | | CGE395 | SR91006 | | 2255 |
| CG100B75090 | CG9062100S | CGE396 | SR91007 | | 2256 |
| CG100B85090 | CG9075100S | CGE397 | SR91008 | | 2275 |
| CG100C95090 | CG9087100S | CGE398 | SR91009 | | 2276 |
| CG100C105090 | CG90100100S | CGE399 | SR910010 | | 2257 |
| CG50A25045 | | CGD192 | SR4502 | | 2200 |
| CG50A35045 | | CGD193 | SR4503 | | 2201 |
| CG50A45045 | | CGD194 | SR4504 | | 2202 |
| CG50A56045 | | | SR4505 | | 2203 |
| CG50A65045 | | CGD195 | SR4506 | | 2204 |
| CG75A25045 | | CGD292 | SR4752 | | 2206 |
| CG75A35045 | | CGD293 | SR4753 | | 2207 |
| CG75A45045 | | CGD294 | SR4754 | | 2208 |
| CG75A56045 | | | SR4755 | | 2209 |
| CG75A65045 | | CGD295 | SR4756 | | |
| CG75B75045 | | CGD296 | SR4757 | | 2210 |
| CG75B85045 | | CGD297 | SR4758 | | 2211 |
| CG100B56045 | | | SR41005 | | 2213 |
| CG100B65045 | | CGD395 | SR41006 | | 2214 |
| CG100B75045 | | CGD396 | SR41007 | | 2215 |
| CG100B85045 | | CGD397 | SR41008 | | 2216 |
| CG100C95045 | | CGD398 | SR41009 | | 2217 |
| CG100C105045 | | CGD399 | SR410010 | | 2218 |

Please Note: Comparisons are functional and parts may not be interchangeable

Catalog Number Cross-Reference by Manufacturer

| AMFICO | Crouse Hinds | Kellems | OZ Gedney | AMFICO | Crouse Hinds | Kellems | OZ Gedney |
|--------|--------------|-----------|-----------|--------|--------------|--------------|------------|
| CG1 | CG50-250 | SHC1021ZP | SR50250 | CG590 | CG5090-650 | NHC1024ZP | SR950625 |
| CG2 | CG50-350 | SHC1022ZP | SR50375 | CG690 | CG7590-250 | | SR975250 |
| CG3 | CG50-450 | SHC1023ZP | SR50500 | CG790 | CG7590-350 | | SR975375 |
| CG4 | CG50-560 | SHC1023ZP | | CG890 | CG7590-450 | NHC1035ZP | SR975500 |
| CG5 | CG50-650 | SHC1024ZP | SR50625 | CG990 | CG7590-560 | | |
| CG6 | CG75-250 | SHC1031ZP | SR75250 | CG1090 | CG7590-650 | NHC1036ZP | SR975625 |
| CG7 | CG75-350 | SHC1032ZP | SR75375 | CG1190 | CG7590-750 | NHC1037ZP | SR975750 |
| CG8 | CG75-450 | SHC1033ZP | SR75500 | CG1290 | CG7590-850 | NHC1038ZP | SR975875 |
| CG9 | CG75-560 | SHC1033ZP | | CG1390 | | | |
| CG10 | CG75-650 | SHC1034ZP | SR75625 | CG1490 | | NHC1040ZP | |
| CG11 | CG75-750 | SHC1037ZP | SR75750 | CG1590 | | NHC1041ZP | |
| CG12 | CG75-850 | SHC1038ZP | SR75875 | CG1690 | | NHC1042ZP | SR9100875 |
| CG13 | CG100-560 | SHC1096ZP | | CG1790 | | | SR91001000 |
| CG14 | CG100-650 | SHC1097ZP | | CG1890 | | | |
| CG15 | CG100-750 | SHC1098ZP | SR100750 | CG145 | CG5045-250 | VHC1021ZP | |
| CG16 | CG100-850 | SHC1099ZP | SR100875 | CG245 | CG5045-350 | VHC1022ZP | |
| CG17 | CG100-950 | SHC1043ZP | SR1001000 | CG345 | CG5045-450 | VHC1023ZP | |
| CG18 | CG100-1050 | SHC1043ZP | | CG445 | CG5045-560 | | |
| CG19 | CG125-850 | | | CG545 | CG5045-650 | VHC1024ZP | |
| CG20 | CG125-950 | | SR1251000 | CG645 | CG7545-250 | | |
| CG21 | CG125-1050 | | | CG745 | CG7545-350 | | |
| CG22 | CG125-1150 | | | CG845 | CG7545-450 | VHC1035-ALUM | |
| CG23 | CG125-1250 | | | CG945 | CG7545-560 | | |
| CG24 | CG125-1375 | | | CG1045 | CG7545-650 | VHC1036-ALUM | |
| CG25 | CG150-1050 | | | CG1145 | CG7545-750 | VHC1037-ALUM | |
| CG26 | CG150-1150 | | | CG1245 | CG7545-850 | | |
| CG27 | CG150-1250 | | | CG1345 | | | |
| CG28 | CG150-1375 | | | CG1445 | | | |
| CG190 | CG5090-250 | NHC1021ZP | SR950250 | CG1545 | | VHC1041-ALUM | |
| CG290 | CG5090-350 | NHC1022ZP | SR950375 | CG1645 | | VHC1042-ALUM | |
| CG390 | CG5090-450 | NHC1023ZP | SR950500 | CG1745 | | | |
| CG490 | CG5090-560 | | | CG1845 | | | |

Please Note: Comparisons are functional and parts may not be interchangeable

| AMFICO | Appleton | OZ Gedney | Kellems | Pyle National | RACO | Remke | T & B | Woodhead |
|----------|---------------|-----------------|--------------|---------------|-------|------------------------|--------|------------|
| CG1AL | CG1250 | CGA50188, 250 | SHC1021 | DB7 | 48012 | RSR103, 104 | 2920AL | |
| CG2AL | CG1850 | CGA50312, 375 | SHC1022 | DB8 | 48014 | RSR105, 106 | 2920AL | |
| CG3AL | CG3150 | CGA50438 | SHC1023 | DB9 | 48015 | RSR106, 107, 108 | 2921AL | |
| CG4AL | CG3750 | CGA50500, 562 | SHC1023 | DB9916 | 48024 | RSR108, 109 | 2921AL | |
| CG5AL | CG5050 | CGA50625 | SHC1024 | DB10 | 48025 | RSR110 | 2922AL | |
| CG6AL | CG1275 | | SHC1031 | DB614 | 48032 | RSR2103, 2104 | 2930AL | |
| CG7AL | CG2575 | | SHC1032 | DB638 | 48033 | RSR2105, 2106 | 2930AL | |
| CG8AL | CG3775 | CGA75562 | SHC1033 | DB612 | 48034 | RSR2106, 2107, 2108 | 2931AL | |
| CG9AL | CG3775 | CGA75562, 625 | SHC1033 | DB6916 | 48034 | RSR2109, 2110 | 2931AL | |
| CG10AL | CG5075 | CGA75625, 688 | SHC1034 | DB6 | 48035 | RSR210, 211 | 2932AL | |
| CG11AL | CG6275 | CGA75750 | SHC1037 | DB11 | 48038 | RSR212 | 2932AL | |
| CG12AL | CG7575 | CGA75812 | SHC1038 | DB2514 | 48039 | RSR213 | | |
| CG1ALGT | CG1250/CGSR1 | CGA50250M | 7401004 | DBKM1205 | | RSR104E | | 36250 |
| CG2ALGT | CG1850/CGSR2 | CGA50312M, 375M | 7401006 | DBKM1206 | | RSR105E, 106E | | 36251 |
| CG3ALGT | CG3150/CGSR3 | CGA50375M, 438M | 7401008 | DBKM1208 | | RSR106E, 107E, 108E | | 36251, 254 |
| CG4ALGT | CG3750/CGSR6 | CGA50500M, 562M | 07401008, 10 | DBKM1209 | | RSR108E, 109E | | 36254, 256 |
| CG5ALGT | CG5050/CGSR7 | CGA50625M | 7401010 | DBKM1210 | | RSR110E | | 36256, 245 |
| CG6ALGT | CG1275/CGSR4 | | 7401011 | DBKM2205 | | RSR2104E | | 36247 |
| CG7ALGT | CG2575/CGSR5 | | 7401013 | DBKM2206 | | RSR2105E, 2106E | | 36257 |
| CG8ALGT | CG3775/CGSR6 | CGA75562M | 7401015 | DBKM2208 | | RSR2106E, 2107E, 2108E | | 36257, 259 |
| CG9ALGT | CG3775/CGSR6 | CGA75562M, 625M | 07401015, 17 | DBKM2209 | | RSR2109E, 2110E | | 36259, 261 |
| CG10ALGT | CG5075/CGSR7 | CGA75625M, 688M | 07401017, 18 | DBKM2210 | | RSR210E, 211E | | 36261, 263 |
| CG11ALGT | CG6275/CGSR12 | CGA75750M | 7401018 | DBKM2312 | | RSR212E | | 36263 |
| CG12ALGT | CG7575/CGSR13 | CGA75812M | 74011249 | DBKM2514 | | RSR213E | | 36248 |

Please Note: Comparisons are functional and parts may not be interchangeable

Catalog Number Cross-Reference by Manufacturer

For items displayed on page 25, 26, 29, 47 and 55

| AMFICO | Appleton | Crouse Hinds | Dottie | Kellems | Madison | Neer | OZ Gedney | RACO | Steel City | T & B | Topaz |
|--------|----------|-----------------|--------|---------|-----------|----------|------------|------|------------|--------|-------|
| CHB0 | H50WB | 2100 | 0B | PH50B | 0-WBA | CH-050-B | H-0WBS | 2052 | 6H0-B | 6H0-B | 601 |
| CHB1 | H75WB | 2110 | 1-B | PH75B | 1-WBA | CH-100-B | H-1WBS | 2053 | 6H1-B | 6H1-B | 602 |
| CHB2 | H100WB | 2120 | 2-B | PH100B | 2-WBA | CH-200-B | H-2WBS | 2054 | 6H2-B | 6H2-B | 603 |
| CHB25 | H125WB | 2125 | 21/2-B | PH110B | 2-1/2-WBA | CH-250-B | H-21/2-WBS | 2041 | 6H2d-b | 6H2d-b | 604 |
| CHB3 | H150WB | 2130 | 3-B | PH125B | 3-WBA | CH-300-B | H-3WBS | 2055 | 6H3-B | 6H3-B | 604A |
| CHB4 | H150WB | 2140 | 4-B | PH150B | 4-WBA | CH-400-B | H-4WBS | 2056 | 6H4-B | 6H4-B | 605 |
| CHB5 | H200WB | 2150 | 5-B | PH200B | 5-WBA | CH-500-B | H-5WBS | 2058 | 6H5-B | 6H5-B | 606 |
| CHB6 | H250WB | 2160 | 6-B | PH250B | 6-WBA | CH-600-B | H-6WBS | 2057 | 6H6-B | 6H6-B | 607 |
| CHB7 | H300WB | 2170 | 7-B | PH300B | 7-WBA | CH-700-B | H-7WBS | 2059 | 6H7-B | 6H7-B | 608 |
| CHB8 | H350WB | 2180 | 8-B | PH350B | 8-WBA | CH-800-B | H-8WBS | 2060 | 6H8-B | 6H8-B | 609 |
| CHB9 | H400WB | 2190 | 9-B | PH400B | 9-WBA | CH-900-B | H-9WBS | 2061 | 6H9-B | 6H9-B | 610 |
| CN50 | CN50 | 1102 | 50 | ML701 | ML701 | | 750 | | HA401 | 842TB | |
| CN75 | CN75 | 1103 | 51 | ML702 | ML702 | | 775 | | HA402 | 843TB | |
| CN100 | CN100 | 1104 | 52 | ML703 | ML703 | | 7100 | | HA403 | 844 | |
| ER50 | EC50 | 1121 | 190M | | MER50 | | 450 | 1502 | EK401 | 675 | 851 |
| ER75 | EC75 | 1122 | 191 | | MER75 | | 475 | 1503 | EK402 | 676 | 852 |
| ER100 | EC100 | 1123 | 192 | | MER100 | | 4100 | 1504 | EK403 | 677 | 853 |
| ER125 | EC125 | 1124 | 193 | | MER125 | TPC125 | 4125 | 1505 | EK404 | 678 | 854 |
| ER150 | EC150 | 1125 | 194 | | MER150 | TPC150 | 4150 | 1506 | EK405 | 679 | 855 |
| ER200 | EC200 | 1126 | 195 | | MER200 | TPC200 | 4200 | 1508 | EK406 | 680 | 856 |
| ER250M | EC250 | 1127 | 196 | | L506 | TPC250 | 4250 | 1510 | EK407 | 681 | 857 |
| ER300M | EC300 | 1128 | 197 | | L507 | TPC300 | 4300 | 1512 | EK408 | 682 | 858 |
| ER350M | EC350 | 1129 | 198 | | L508 | TPC350 | 4350 | 1514 | EK409 | 683 | 859 |
| ER400M | EC400 | 1130 | 199 | | L509 | TPC400 | 4400 | 1516 | EK410 | 684 | 860 |
| ETR50 | TWR50 | 290 | 690S | | | | ETR50 | 1352 | | 530 | |
| ETR75 | TWR75 | 291 | 691 | | | | ETR75 | 1353 | | 531 | |
| GLA4 | | | | | | | | | | | 810 |
| GLA0 | | | | | | | | | | | 811 |
| GLA250 | | | | | | | | | | | 812 |

Please Note: Comparisons are functional and parts may not be interchangeable

| AMFICO | Appleton | Arlington | Bridgeport | Hinds | Dottie | Madison | Neer | OZ Gedney | Regal | RACO | Steel City | T & B | Topaz |
|---------|----------|-----------|------------|--------|--------|---------|---------|-----------|-------|------|------------|--------|-------|
| CSE501 | TWCL-50 | 370 | 920-S | 200 | TW50-1 | 1701 | 1901 | 15-50S | 8301 | 2082 | TS-101 | TS-101 | 511 |
| CSE751 | TWCL-75 | 371 | 921-S | 201 | TW75 | 1702 | 1902 | 15-75S | 8302 | 2083 | TS-102 | TS-102 | 512 |
| CSE1001 | TWCL-100 | 372 | 922-S | 202 | TW100 | 1703 | 1903 | 15-100S | 8303 | 2084 | TS-103 | TS-103 | 513 |
| CSE1251 | TWCL-125 | 373 | 923-S | 203 | TW125 | 1704 | 1904 | 15-125S | 8304 | 2085 | TS-104 | TS-104 | 514 |
| CSE1501 | TWCL-150 | 374 | 924-S | 204 | TW150 | 1705 | 1905 | 15-150S | 8305 | 2086 | TS-105 | TS-105 | 515 |
| CSE2001 | TWCL-200 | 375 | 925-S | 205 | TW200 | 1706 | 1906 | 15-200S | 8306 | 2088 | TS-106 | TS-106 | 516 |
| CSR501 | CL-50 | 346 | 901 | 410 | HW50 | 701 | 1801 | 14-50S | 8321 | 1332 | HS-101 | 1211 | 531 |
| CSR751 | CL-75 | 347 | 902 | 411 | HW75 | 702 | 1802 | 14-75S | 8322 | 1333 | HS-102 | 1212 | 532 |
| CSR1001 | CL-100 | 348 | 903 | 412 | HW100 | 703 | 1803 | 14-100S | 8323 | 1334 | HS-103 | 1213 | 533 |
| CSR1251 | CL-125 | 349 | 904 | 413 | HW125 | 704 | 1804 | 14-125S | 8324 | 1335 | HS-104 | 1214 | 534 |
| CSR1501 | CL-150 | 340 | 905 | 414 | HW150 | 705 | 1805 | 14-150S | 8325 | 1336 | HS-105 | 1215 | 535 |
| CSR2001 | CL-200 | 341 | 906 | 415 | HW200 | 706 | 1806 | 14-200S | 8326 | 1337 | HS-106 | 1216 | 536 |
| CSE2501 | CL-250 | 342 | 907-S | 206 | TW250 | 1707 | 1807 | 14-250S | 8327 | 1338 | HS-107 | 1282 | 517 |
| CSE3001 | CL-300 | 343 | 908-S | 207 | TW300 | 1708 | 1808 | 14-300S | 8328 | 1339 | HS-108 | 1283 | 518 |
| CSE3501 | CL-350 | 344 | 909-S | 208 | TW350 | 1709 | 1809 | 14-350S | 8329 | 1340 | HS-109 | 1284 | 519 |
| CSE4001 | CL-400 | 345 | 910-S | 209 | TW400 | 1710 | 1810 | 14-400S | 8330 | 1341 | HS-110 | 1285 | 520 |
| CSE502 | TW2500 | 360 | 1920 | 497-1 | 301 | 1124 | TH-1901 | THTW-50S | 8311 | 2092 | TS-901 | TS-901 | 521 |
| CSE752 | TW2750 | 361 | 1921 | 497-2 | 302 | 1125 | TH-1902 | THTW-75S | 8312 | 2093 | TS-902 | TS-902 | 522 |
| CSE1002 | TW2100 | 362 | 1922 | 497-3 | 303 | 1126 | TH-1903 | THTW-100S | 8313 | 2094 | TS-903 | TS-903 | 523 |
| CSE1252 | TW2125 | 363 | 1923 | 497-4 | 304 | 1127 | TH-1904 | THTW-125S | 8314 | 2095 | TS-904 | TS-904 | 524 |
| CSE1502 | TW2150 | 364 | 1924 | 497-5 | 305 | 1128 | TH-1905 | THTW-150S | 8315 | 2096 | TS-905 | TS-905 | 525 |
| CSE2002 | TW2200 | 365 | 1925 | 497-6 | 306 | 1129 | TH-1906 | THTW-200S | 8316 | 2098 | TS-906 | TS-906 | 526 |
| CSR502 | CF-500 | 350 | 1901 | 496-3 | 401 | 124 | TH-1801 | THR-50S | 8341 | 2232 | HS-901 | HS-901 | 541 |
| CSR752 | CF-750 | 351 | 1902 | 496-4 | 402 | 125 | TH-1802 | THR-75S | 8342 | 2233 | HS-902 | HS-902 | 542 |
| CSR1002 | CF-100 | 352 | 1903 | 496-5 | 403 | 126 | TH-1803 | THR-100S | 8343 | 2234 | HS-903 | HS-903 | 543 |
| CSR1252 | CF-125 | 353 | 1904 | 496-6 | 404 | 127 | TH-1804 | THR-125S | 8344 | 2235 | HS-904 | HS-904 | 544 |
| CSR1502 | CF-150 | 354 | 1905 | 496-7 | 405 | 128 | TH-1805 | THR-150S | 8345 | 2236 | HS-905 | HS-905 | 545 |
| CSR2002 | CF-200 | 355 | 1906 | 496-8 | 406 | 129 | TH-1806 | THR-200S | 8346 | 2238 | HS-906 | HS-906 | 546 |
| CSE2502 | CF-250H | 356 | 1907 | 496-9 | 407 | 130 | TH-1807 | THR-250S | 8347 | 2239 | HS-907 | HS-907 | 527 |
| CSE3002 | CF-300H | 357 | 1908 | 496-10 | 408 | 131 | TH-1808 | THR-300S | 8348 | 2240 | HS-908 | HS-908 | 528 |
| CSE3502 | CF-350H | 358 | 1909 | 496-11 | 409 | 132 | TH-1809 | THR-350S | 8349 | 2241 | HS-909 | HS-909 | 529 |
| CSE4002 | CF-400H | 359 | 1910 | 496-12 | 410 | 133 | TH-1810 | THR-400S | 8350 | 2242 | HS-910 | HS-910 | 530 |

Please Note: Comparisons are functional and parts may not be interchangeable

For items displayed on pages 28 and 33

| AMFICO | Crouse | | | | | | | | | | Steel City | T & B | Topaz |
|--------|----------|------------|-------|--------|-----------|-----------|-----------|------|--|--------|------------|-------|-------|
| | Appleton | Bridgeport | Hinds | Dottie | Madison | Neer | OZ Gedney | RACO | | | | | |
| GRL50 | GL50 | 121 | GL-11 | | LNS-50-G | GL-100-D | 101 | 1242 | | LG-401 | 106 | 551 | |
| GRL75 | GL75 | 122 | GL-12 | | LNS-75-G | GL-200-D | 102 | 1243 | | LG-402 | 107 | 552 | |
| GRL100 | GL100 | 123 | GL-13 | | LNS-100-G | GL-300-D | 103 | 1244 | | LG-403 | 108 | 553 | |
| GRL125 | GL125 | 124 | GL-14 | | LNS-125-G | GL-400-D | 104 | 1245 | | LG-404 | 109 | 554 | |
| GRL150 | GL150 | 125 | GL-15 | | LNS-150-G | GL-500-D | 105 | 1246 | | LG-405 | 110 | 555 | |
| GRL200 | GL200 | 126 | GL-16 | | LNS-200-G | GL-600-D | 106 | 1248 | | LG-406 | 111 | 556 | |
| GRL250 | GL250 | 127 | GL-17 | | LNS-250-G | GL-700-D | 107 | 1250 | | LG-407 | 112 | 557 | |
| GRL300 | GL300 | 128 | GL-18 | | LNS-300-G | GL-800-D | 108 | 1252 | | LG-408 | 113 | 558 | |
| GRL350 | GL350 | 129 | GL-19 | | LNS-350-G | GL-900-D | 109 | 1254 | | LG-409 | 114 | 559 | |
| GRL400 | GL400 | 130 | GL-20 | | LNS-400-G | GL-1000-D | 110 | 1256 | | LG-410 | 115 | 560 | |
| KOS50 | S50 | 1691 | 335 | K050 | 150 | | K0-50-S | 1042 | | | | K050 | |
| KOS75 | S75 | 1692 | 336 | K075 | 151 | | K0-75-S | 1043 | | | | K051 | |
| KOS100 | S100 | 1693 | 337 | K0100 | 152 | | K0-100-S | 1044 | | | | K052 | |
| KOS125 | S125 | 1694 | 338 | K0125 | 153 | | K0-125-S | 1045 | | | | K053 | |
| KOS150 | S150 | 1695 | 339 | K0150 | 154 | | K0-150-S | 1046 | | | | K054 | |
| KOS200 | S200 | 1696 | 340 | K0200 | 155 | | K0-200-S | 1048 | | | | K055 | |

Please Note: Comparisons are functional and parts may not be interchangeable

For items displayed on pages 27

| AMFICO | Appleton | Bridgeport | Crouse Hinds | Dottie | Madison | Neer | OZ Gedney | RACO | Steel City | T & B | Topaz |
|--------|----------|------------|-----------------|--------|---------|-------|-----------|------|------------|-------|-------|
| LN50 | BL50 | 101-S | 11 | | | | 1-50S | 1002 | LN101 | 141 | |
| LN75 | BL75 | 102-S | 12 | | | | 1-75-S | 1003 | LN102 | 142 | |
| LN100 | BL100 | 103-S | 13 | | | | 1-100S | 1004 | LN103 | 143 | |
| LN125 | BL125 | 104-S | 14 | | | | 1-125S | 1005 | LN104 | 144 | |
| LN150 | BL150 | 105-S | 15 | | | | 1-150S | 1006 | LN105 | 145 | |
| LN200 | BL200 | 106-S | 16 | | | | 1-200S | 1008 | LN106 | 146 | |
| LN250 | BL250 | 107-S | 17X | LN250 | LNS250 | L700 | 1-250 | 1197 | LN107 | 147 | 287 |
| LN300 | BL300 | 108-S | 18X | LN300 | LNS300 | L800 | 1-300 | 1199 | LN108 | 148 | 288 |
| LN350 | BL350 | 109-S | 19X | LN350 | LNS350 | L900 | 1-350 | 1200 | LN109 | 149 | 289 |
| LN400 | BL400 | 110-S | 20X | LN400 | LNS400 | L1000 | 1-400 | 1201 | LN110 | 150 | 290 |
| LN500 | BL500 | 111-S | 22 | LN500 | | L1100 | 1-500 | 1020 | LN111 | 152 | 290A |
| LN600 | BL600 | 112-S | 23 | LN600 | | L1200 | 1-600 | 1024 | LN112 | 153 | 290B |
| LN50C | | | 11X | LN50 | LNS50 | L100 | | 1192 | | | 281 |
| LN75C | | | 12X | LN75 | LNS75 | L200 | | 1193 | | | 282 |
| LN100C | | | 13X | LN100 | LNS100 | L300 | | 1194 | | | 283 |
| LN125C | | | 14X | LN125 | LNS125 | L400 | | 1195 | | | 284 |
| LN150C | | | 15X | LN150 | LNS150 | L500 | | 1196 | | | 285 |
| LN200C | | | 16X | LN200 | LNS200 | L600 | | 1198 | | | 286 |

Please Note: Comparisons are functional and parts may not be interchangeable

For items displayed on pages 52

| | | Crouse | | | | | | | | | | | | |
|--------|--------|----------|------------|-------|--------|---------|------|-----------|-------|------|------------|-------|-------|--|
| AMFICO | AFC | Appleton | Bridgeport | Hinds | Dottie | Madison | Neer | OZ Gedney | Regal | RACO | Steel City | T & B | Topaz | |
| EC750 | CC50 | TW50CS | 250 | 650S | | MEC750 | | 7050S | 7601 | 2902 | TC111SC | 5121 | 651S | |
| EC751 | CC75 | TW75CS | 251 | 651S | | MEC751 | | 7075S | 7602 | 2903 | TC112SC | 5221 | 652S | |
| EC752 | CC100 | TW100CS | 252 | 652 | | MEC752 | | 7100S | 7603 | 2904 | TC113SC | 5321 | 653S | |
| EC753 | CC125 | TW125CS | 253 | 653 | | MEC753 | | 7125S | 7604 | 2905 | TC114SC | 5421 | 654S | |
| EC754 | CC150 | TW150CS | 254 | 654 | | MEC754 | | 7150S | 7605 | 2906 | TC115SC | 5521 | 655S | |
| EC755 | CC200 | TW200CS | 255 | 655 | | MEC755 | | 7200S | 7606 | 2908 | TC116SC | 5621 | 656S | |
| EC756 | CC250 | TW250CS | 256 | 656 | | MEC756 | | 7250S | 7607 | 2940 | TC117SC | | 657S | |
| EC757 | CC300 | TW300CS | 257 | 657 | | MEC757 | | 7300S | 7608 | 2942 | TC118SC | | 658S | |
| EC758 | CC350 | TW350CS | 258 | 658 | | MEC758 | | 7350S | 7609 | 2944 | TC119SC | | 659S | |
| EC759 | CC400 | TW400CS | 259 | 659 | | MEC759 | | 7400S | 7610 | 2946 | TC1110SC | | 660S | |
| EC750B | CC150 | TW50CSI | 250I | 1650 | | MEC750B | | 7050ST | 7601S | 2912 | TC711 | 5123 | 651Si | |
| EC751B | CC175 | TW75CSI | 251I | 1651 | | MEC751B | | 7075ST | 7602S | 2913 | TC712 | 5223 | 652Si | |
| EC752B | CC100 | TW100CSI | 252I | 1652 | | MEC752B | | 7100ST | 7603S | 2914 | TC713 | 5323 | 653Si | |
| EC753B | CC125 | TW125CSI | 253I | 1653 | | MEC753B | | 7125ST | 7604S | 2915 | TC714 | 5423 | 654Si | |
| EC754B | CC150 | TW150CSI | 254I | 1654 | | MEC754B | | 7150ST | 7605S | 2916 | TC715 | 5523 | 655Si | |
| EC755B | CC1200 | TW200CSI | 255I | 1655 | | MEC755B | | 7200ST | 7606S | 2918 | TC716 | 5623 | 656Si | |
| EC756B | CC1250 | TW250CSI | 256I | 1656 | | MEC756B | | 7250ST | 7607S | 2960 | TC717 | | 657Si | |
| EC757B | CC1300 | TW300CSI | 257I | 1657 | | MEC757B | | 7300ST | 7608S | 2962 | TC718 | | 658Si | |
| EC758B | CC1350 | TW350CSI | 258I | 1658 | | MEC758B | | 7350ST | 7609S | 2964 | TC719 | | 659Si | |
| EC759B | CC1400 | TW400CSI | 259I | 1659 | | MEC759B | | 7400ST | 7610S | 2966 | TC7110 | | 660Si | |
| EC760 | CK50 | TWC50CS | 260 | 660S | | MEC760 | | 6050S | 7611 | 2922 | TK111 | 5120 | 661S | |
| EC761 | CK75 | TWC75CS | 261 | 661S | | MEC761 | | 6075S | 7612 | 2923 | TK112 | 5220 | 662S | |
| EC762 | CK100 | TWC100CS | 262 | 662 | | MEC762 | | 6100S | 7613 | 2924 | TK113 | 5320 | 663S | |
| EC763 | CK125 | TWC125CS | 263 | 663 | | MEC763 | | 6125S | 7614 | 2925 | TK114 | 5420 | 664S | |
| EC764 | CK150 | TWC150CS | 264 | 664 | | MEC764 | | 6150S | 7615 | 2926 | TK115 | 5520 | 665S | |
| EC765 | CK200 | TWC200CS | 265 | 665 | | MEC765 | | 6200S | 7616 | 2928 | TK116 | 5620 | 666S | |
| EC766 | CK250 | TWC250CS | 266 | 666 | | MEC766 | | 6250S | 7617 | 2950 | TK117 | | 667S | |
| EC767 | CK300 | TWC300CS | 267 | 667 | | MEC767 | | 6300S | 7618 | 2952 | TK118 | | 668S | |
| EC768 | CK350 | TWC350CS | 268 | 668 | | MEC768 | | 6350S | 7619 | 2954 | TK119 | | 669S | |
| EC769 | CK400 | TWC400CS | 269 | 669 | | MEC769 | | 6400S | 7620 | 2956 | TK1110 | | 670S | |

Please Note: Comparisons are functional and parts may not be interchangeable

AMFICO **OZ Gedney**

| | |
|---------|---------|
| SS50US | 4050US |
| SS51US | 4075US |
| SS52US | 4100US |
| SS53US | 4125US |
| SS54US | 4150US |
| SS55US | 4200US |
| SS56US | 4250US |
| SS57US | 4300US |
| SS58US | 4350US |
| SS59US | 4400US |
| SS50BUS | 4050UST |
| SS51BUS | 4075UST |
| SS52BUS | 4100UST |
| SS53BUS | 4125UST |
| SS54BUS | 4150UST |
| SS55BUS | 4200UST |
| SS56BUS | 4250UST |
| SS57BUS | 4300UST |
| SS58BUS | 4350UST |
| SS59BUS | 4400UST |
| SS60US | 5050US |
| SS61US | 5075US |
| SS62US | 5100US |
| SS63US | 5125US |
| SS64US | 5150US |
| SS65US | 5200US |
| SS66US | 5250US |
| SS67US | 5300US |
| SS68US | 5350US |
| SS69US | 5400US |

AMFICO **OZ Gedney**

| | |
|----------|---------|
| EC750US | 7050US |
| EC751US | 7075US |
| EC752US | 7100US |
| EC753US | 7125US |
| EC754US | 7150US |
| EC755US | 7200US |
| EC756US | 7250US |
| EC757US | 7300US |
| EC758US | 7350US |
| EC759US | 7400US |
| EC750BUS | 7050UST |
| EC751BUS | 7075UST |
| EC752BUS | 7100UST |
| EC753BUS | 7125UST |
| EC754BUS | 7150UST |
| EC755BUS | 7200UST |
| EC756BUS | 7250UST |
| EC757BUS | 7300UST |
| EC758BUS | 7350UST |
| EC759BUS | 7400UST |
| EC760US | 6050US |
| EC761US | 6075US |
| EC762US | 6100US |
| EC763US | 6125US |
| EC764US | 6150US |
| EC765US | 6200US |
| EC766US | 6250US |
| EC767US | 6300US |
| EC768US | 6350US |
| EC769US | 6400US |

Please Note: Comparisons are functional and parts may not be interchangeable

Catalog Number Cross-Reference by Manufacturer

For items displayed on page 16, 32, 34 and 57

| AMFICO | Appleton | Arlington | Bridgeport | Crouse Hinds | Dottie | Madison | OZ Gedney | RACO | Steel City | T & B | Topaz |
|---------|----------|-----------|------------|-----------------|---------|---------|-----------|------------|---------------|---------------|----------|
| EIB50 | | EMT50 | TWB-51 | | | | | | | | 1661 |
| EIB75 | | EMT75 | TWB-52 | | | | | | | | 1662 |
| EIB100 | | EMT100 | TWB-53 | | | | | | | | 1663 |
| EIB125 | | EMT125 | TWB-54 | | | | | | | | 1664 |
| EIB150 | | EMT150 | TWB-55 | | | | | | | | 1665 |
| EIB200 | | EMT200 | TWB-56 | | | | | | | | 1666 |
| EIB250 | | EMT250 | TWB-57 | | | | | | | | 1667 |
| EIB300 | | EMT300 | TWB-58 | | | | | | | | 1668 |
| EIB350 | | EMT350 | TWB-59 | | | | | | | | 1669 |
| EIB400 | | EMT400 | TWB-60 | | | | | | | | 1670 |
| NKB50 | | 4400 | 9791 | | 1210D | 140 | | | | 3210 | SB87511 |
| NKB75 | | 4401 | 9792 | | 1211D | 141 | | | | 3211 | SB109313 |
| NKB100 | | 4402 | 9793 | | 1212D | 142 | | | | 3212 | SB137516 |
| NKB125 | | 4403 | 9794 | | 1213D | 143 | | | | 3213 | SB175022 |
| NKB150 | | 4404 | 9795 | | 1214D | 144 | | | | 3214 | SB200026 |
| NKB200 | | 4405 | 9796 | | 1215D | 145 | | | | 3215 | SB2.531 |
| NKB250 | | 4406 | | | 1216D | | | | | | |
| NMCG50 | | LPCG50 | | NCG50 50 | NSR12L | MNPT-50 | | 4702-3,4,5 | 2672,73 | 2672,73 | LTF-12 |
| NMCG75 | | LPCG75 | | NCG75 75 | NSR34L | MNPT-75 | | | 2694,74,75 | 2694,74,75 | LTF34 |
| NMCG100 | | | | NCG100 100 | NSR100L | | | | 2695,76,77,78 | 2695,76,77,78 | LTF1 |
| PIB50 | BBU50 | 440 | 321 | 931 | PB50 | CPB-50 | IB-50 | 1402 | BU-501 | 222-TB | 831 |
| PIB75 | BBU75 | 441 | 322 | 932 | PB75 | CPB-75 | IB-75 | 1403 | BU-502 | 223-TB | 832 |
| PIB100 | BBU100 | 442 | 323 | 933 | PB100 | CPB-100 | IB-100 | 1404 | BU-503 | 224 | 833 |
| PIB125 | BBU125 | 443 | 324 | 934 | PB125 | CPB-125 | IB-125 | 1405 | BU-504 | 225-TB | 834 |
| PIB150 | BBU150 | 444 | 325 | 935 | PB150 | CPB-150 | IB-150 | 1406 | BU-505 | 226 | 835 |
| PIB200 | BBU200 | 445 | 326 | 936 | PB200 | CPB-200 | IB-200 | 1408 | BU-506 | 227 | 836 |
| PIB250 | BBU250 | 446 | 327 | 937 | PB250 | CPB-250 | IB-250 | 1410 | BU-507 | 228-TB | 837 |
| PIB300 | BBU300 | 447 | 328 | 938 | PB300 | CPB-300 | IB-300 | 1412 | BU-508 | 229-TB | 838 |
| PIB350 | BBU350 | 448 | 329 | 939 | PB350 | CPB-350 | IB-350 | 1414 | BU-509 | 230-TB | 839 |
| PIB400 | BBU400 | 449 | 330 | 940 | PB400 | CPB-400 | IB-400 | 1416 | BU-510 | 231 | 840 |
| PIB500 | | 4491 | 331 | 941 | PB500 | | IB-500 | 1420 | BU-511 | 233 | 841 |
| PIB600 | | 4492 | 332 | 942 | PB600 | | IB-600 | 1424 | BU-512 | 234 | 842 |

Please Note: Comparisons are functional and parts may not be interchangeable

| AMFICO | Bridgeport | Dottie | Madison | Neer | Steel City | Topaz |
|-----------|------------|---------|---------|-------|------------|-------|
| LT C38 | 429LT2 | LT38 | LQA1038 | LMM01 | LT200 | 470 |
| LT C50 | 430LT2 | LT50 | LQA1050 | LMM11 | LT201 | 471 |
| LT C75 | 431LT2 | LT75 | LQA1075 | LMM21 | LT202 | 472 |
| LT C100 | 432LT2 | LT100 | LQA1100 | LMM31 | LT203 | 473 |
| LT C125 | 433LT2 | LT125 | LQA1125 | LMM41 | LT204 | 474 |
| LT C150 | 434LT2 | LT150 | LQA1150 | LMM51 | LT205 | 475 |
| LT C200 | 435LT2 | LT200 | LQA1200 | LMM61 | LT206 | 476 |
| LT C38B | 429LT2 | LT38 | LQA1038 | LMM02 | LT800 | 470 |
| LT C50B | 430LT2 | LT50 | LQA1050 | LMM12 | LT801 | 471 |
| LT C75B | 431LT2 | LT75 | LQA1075 | LMM22 | LT802 | 472 |
| LT C100B | 432LT2 | LT100 | LQA1100 | LMM32 | LT803 | 473 |
| LT C125B | 433LT2 | LT125 | LQA1125 | LMM42 | | 474 |
| LT C150B | 434LT2 | LT150 | LQA1150 | LMM52 | | 475 |
| LT C200B | 435LT2 | LT200 | LQA1200 | LMM62 | | 476 |
| LT C250B | 436LT2 | LT250 | LQA1250 | LMM72 | | |
| LT C300B | 437LT2 | LT300 | LQA1300 | LMM82 | | |
| LT C350B | 438LT2 | LT350 | LQA1350 | LMM86 | | |
| LT C400B | 439LT2 | LT400 | LQA1400 | LMM92 | | |
| LT C389 | 469LT2 | LT9038 | LQA9038 | LML01 | LT290 | 490 |
| LT C509 | 470LT2 | LT9050 | LQA9050 | LML11 | LT291 | 491 |
| LT C759 | 471LT2 | LT9075 | LQA9075 | LML21 | LT292 | 492 |
| LT C1009 | 472LT2 | LT90100 | LQA9100 | LML31 | LT293 | 493 |
| LT C1259 | 473LT2 | LT90125 | LQA9125 | LML41 | LT294 | 494 |
| LT C1509 | 474LT2 | LT90150 | LQA9150 | LML51 | LT295 | 495 |
| LT C2009 | 475LT2 | LT90200 | LQA9200 | LML61 | LT296 | 496 |
| LT C389B | 469LT2 | LT9038 | LQA9038 | LML02 | LT890 | 490 |
| LT C509B | 470LT2 | LT9050 | LQA9050 | LML12 | LT891 | 491 |
| LT C759B | 471LT2 | LT9075 | LQA9075 | LML22 | LT892 | 492 |
| LT C1009B | 472LT2 | LT90100 | LQA9100 | LML32 | LT893 | 493 |
| LT C1259B | 473LT2 | LT90125 | LQA9125 | LML42 | | 494 |
| LT C1509B | 474LT2 | LT90150 | LQA9150 | LML52 | | 495 |
| LT C2009B | 475LT2 | LT90200 | LQA9200 | LML62 | | 496 |
| LT C2509B | 476LT2 | LT90250 | LQA9250 | LML72 | | |
| LT C3009B | 477LT2 | LT90300 | LQA9300 | LML82 | | |
| LT C3509B | 478LT2 | LT90350 | LQA9350 | LML86 | | |
| LT C4009B | 479LT2 | LT90400 | LQA9400 | LML92 | | |

Please Note: Comparisons are functional and parts may not be interchangeable

Catalog Number Cross-Reference by Manufacturer

For items displayed on page 28, 35 and 43

Crouse

Bridgeport

Hinds

Appleton

AMFICO

Arlington

Dottie

Madison

Neer

OZ Gedney

Regal

RACO

Steel City

T & B

Topaz

| AMFICO | Appleton | Arlington | Bridgeport | Hinds | Dottie | Madison | Neer | OZ Gedney | Regal | RACO | Steel City | T & B | Topaz |
|----------|----------|-----------|------------|----------|----------|---------|----------|-----------|--------|------|------------|-------|-------|
| NML38 | NMM-01 | NMLT38 | 429-NMLT | NLT38 | NMLQ1038 | NMM-01 | 4Q-38P | 6701 | LT-500 | P470 | | | |
| NML50 | NMM-11 | NMLT50 | 430-NMLT | NLT50 | NMLQ1050 | NMM-11 | 4Q-50P | 6702 | LT-501 | P471 | | | |
| NML75 | NMM-21 | NMLT75 | 431-NMLT | NLT75 | NMLQ1075 | NMM-21 | 4Q-75P | 6703 | LT-502 | P472 | | | |
| NML100 | NMM-31 | NMLT100 | 432-NMLT | NLT100 | NMLQ1100 | NMM-31 | 4Q-100P | 6704 | LT-503 | P473 | | | |
| NML125 | | NMLT125 | 433-NMLT | NLT125 | NMLQ1125 | | 4Q-125P | 6705 | | P474 | | | |
| NML150 | | NMLT150 | 434-NMLT | NLT150 | NMLQ1150 | | 4Q-150P | 6706 | | P475 | | | |
| NML200 | | NMLT200 | 435-NMLT | NLT200 | NMLQ1200 | | 4Q-200P | 6708 | | P476 | | | |
| NML3890 | NML-01 | NMLT9038 | 469-NMLT | NLT9038 | NMLQ9038 | NML-01 | 4Q-938P | 4731 | LT-590 | P490 | | | |
| NML5090 | NML-11 | NMLT9050 | 470-NMLT | NLT9050 | NMLQ9050 | NML-11 | 4Q-950P | 4732 | LT-591 | P491 | | | |
| NML7590 | NML-21 | NMLT9075 | 471-NMLT | NLT9075 | NMLQ9075 | NML-21 | 4Q-975P | 4733 | LT-592 | P492 | | | |
| NML10090 | NML-31 | NMLT90100 | 472-NMLT | NLT90100 | NMLQ9100 | NML-31 | 4Q-9100P | 4734 | LT-593 | P493 | | | |
| NML12590 | | NMLT90125 | 473-NMLT | NLT90125 | NMLQ9125 | | | 4735 | | P494 | | | |
| NML15090 | | NMLT90150 | 474-NMLT | NLT90150 | NMLQ9150 | | | | | P495 | | | |
| NML20090 | | NMLT90200 | 475-NMLT | NLT90200 | NMLQ9200 | | | | | P496 | | | |
| SL1 | BLSG50 | SL50 | 141 | SL1 | LNS50 | LNS50I | LS100 | SLG50S | 801S | 1202 | LS101 | 141SL | 711 |
| SL2 | BLSG75 | SL75 | 142 | SL2 | LNS75 | LNS75I | LS200 | SLG75S | 802S | 1203 | LS102 | 142SL | 712 |
| SL3 | BLSG100 | SL100 | 143 | SL3 | LNS100 | LNS100I | LS300 | SLG100S | 803S | 1204 | LS103 | 143SL | 713 |
| SL4 | BLSG125 | SL125 | 144 | SL4 | LNS125 | LNS125I | LS400 | SLG125S | 804S | 1205 | LS104 | 144SL | 714 |
| SL5 | BLSG150 | SL150 | 145 | SL5 | LNS150 | LNS150I | LS500 | SLG150S | 805S | 1206 | LS105 | 145SL | 715 |
| SL6 | BLSG200 | SL200 | 146 | SL6 | LNS200 | LNS200I | LS600 | SLG200S | 806S | 1208 | LS106 | 146SL | 716 |
| SL7 | BLSG250 | SL250 | 147 | SL7 | LNS250 | LNS250I | LS700 | SLG250S | 807S | 1207 | LS107 | | 717 |
| SL8 | BLSG300 | SL300 | 148 | SL8 | LNS300 | LNS300I | LS800 | SLG300S | 808S | 1209 | LS108 | | 718 |
| SL9 | BLSG350 | SL350 | 149 | SL9 | LNS350 | LNS350I | LS900 | SLG350S | 809S | 1210 | LS109 | | 719 |
| SL10 | BLSG400 | SL400 | 150 | SL10 | LNS400 | LNS400I | LS1000 | SLG400S | 810S | 1211 | LS110 | | 720 |
| SL11 | BLSG500 | SL500 | | SL11 | | | | | 811S | | | | |
| SL12 | BLSG600 | SL600 | | SL12 | | | | | 812S | | | | |
| UF50 | SE015 | | | | MUF50 | UF50 | UF50 | SE501 | 2462 | | UF201 | 2116 | |
| UF5075 | | | | | | | | | | | | | |
| UF75 | SE016 | | | | MUF75 | UF75 | UF75 | SE752 | | | UF202 | 2237 | |

Please Note: Comparisons are functional and parts may not be interchangeable

| AMFICO | Appleton | Bridgeport | Crouse Hinds | Dottie | Madison | Neer | OZ Gedney | RACO | Steel City | T & B | Topaz |
|---------|----------|------------|-----------------|--------|----------|------|-----------|------|------------|-------|-------|
| NT2750 | NTC50 | 3000 | CPR1 | NT50 | MNT2750 | | 31050 | 1802 | HC401 | 8121 | 261 |
| NT2751 | NTC75 | 3001 | CPR2 | NT75 | MNT2751 | | 31075 | 1803 | HC402 | 8221 | 262 |
| NT2752 | NTC100 | 3002 | CPR3 | NT100 | MNT2752 | | 31100 | 1804 | HC403 | 8321 | 263 |
| NT2753 | NTC125 | 3003 | CPR4 | NT125 | MNT2753 | | 31125 | 1805 | HC404 | 8421 | 264 |
| NT2754 | NTC150 | 3004 | CPR5 | NT150 | MNT2754 | | 31150 | 1806 | HC405 | 8521 | 265 |
| NT2755 | NTC200 | 3005 | CPR6 | NT200 | MNT2755 | | 31200 | 1808 | HC406 | 8621 | 266 |
| NT2756 | NTC250 | | CPR7 | | | | 31250 | 1810 | HC407 | 8721 | |
| NT2757 | NTC300 | | CPR8 | | | | 31300 | 1812 | HC408 | 8821 | |
| NT2758 | NTC350 | | CPR9 | | | | 31350 | 1814 | HC409 | 8851 | |
| NT2759 | NTC400 | | CPR10 | | | | 31400 | 1816 | HC410 | 8971 | |
| NT2770 | | | | | | | 31500 | | | | |
| NT2750B | RNTC50 | 3000I | CPR11 | NT50I | MNT2750B | | 31050T | | | 8123 | |
| NT2751B | RNTC75 | 3001I | CPR12 | NT75I | MNT2751B | | 31075T | | | 8223 | |
| NT2752B | RNTC100 | 3002I | CPR13 | NT100I | MNT2752B | | 31100T | | | 8323 | |
| NT2753B | RNTC125 | 3003I | CPR14 | NT125I | MNT2753B | | 31125T | | | 8423 | |
| NT2754B | RNTC150 | 3004I | CPR15 | NT150I | MNT2754B | | 31150T | | | 8523 | |
| NT2755B | RNTC200 | 3005I | CPR16 | NT200I | MNT2755B | | 31200T | | | 8623 | |
| NT2756B | | | CPR17 | | | | 31250T | | | 8723 | |
| NT2757B | | | CPR18 | | | | 31300T | | | 8823 | |
| NT2758B | | | CPR19 | | | | 31350T | | | 8853 | |
| NT2759B | | | CPR20 | | | | 31400T | | | 8973 | |
| NT2770B | | | | | | | 31500T | | | | |
| NT2760 | NTCC50 | 3100 | CPR21 | NTC50 | MNT2760 | | 30050 | 1822 | HK401 | 8120 | 251 |
| NT2761 | NTCC75 | 3101 | CPR22 | NTC75 | MNT2761 | | 30075 | 1823 | HK402 | 8220 | 252 |
| NT2762 | NTCC100 | 3102 | CPR23 | NTC100 | MNT2762 | | 30100 | 1824 | HK403 | 8320 | 253 |
| NT2763 | NTCC125 | 3103 | CPR24 | NTC125 | MNT2763 | | 30125 | 1825 | HK404 | 8420 | 254 |
| NT2764 | NTCC150 | 3104 | CPR25 | NTC150 | MNT2764 | | 30150 | 1826 | HK405 | 8520 | 255 |
| NT2765 | NTCC200 | 3105 | CPR26 | NTC200 | MNT2765 | | 30200 | 1828 | HK406 | 8620 | 256 |
| NT2766 | NTCC250 | | CPR27 | | | | 30250 | 1830 | HK407 | 8720 | |
| NT2767 | NTCC300 | | CPR28 | | | | 30300 | 1832 | HK408 | 8820 | |
| NT2768 | NTCC350 | | CPR29 | | | | 30350 | 1834 | HK409 | 8850 | |
| NT2769 | NTCC400 | | CPR30 | | | | 30400 | 1836 | HK410 | 8970 | |
| NT2780 | | | | | | | 30600 | | | | |

Please Note: Comparisons are functional and parts may not be interchangeable

Catalog Number Cross-Reference by Manufacturer

For items displayed on page 67 and 68

| AMFICO | Bryant | Kellems | Pass & Seymour | Remke | Woodhead |
|------------|---------|-----------|----------------|----------|----------|
| PJ024 | PJ019 | 03305011 | | | |
| PJ036 | PJ025 | 03305001 | PJ25 | 3305002 | 35970 |
| PJ049 | PJ037 | 03305002 | PJ37 | 3305003 | 35971 |
| PJ061 | PJ050 | 03305003 | PJ50 | 3305004 | 35972 |
| PJ074 | PJ062 | 03305004 | PJ62 | 3305005 | 35973 |
| PJ099 | PJ075 | 03305005 | PJ75 | 3305006 | 35974 |
| PJ125 | PJ100 | 03309006 | PJ100 | 3305007 | 35975 |
| PJK-1(KIT) | | 033051114 | PJ1KIT | 3305008 | 35976 |
| SR001 | | | | | |
| SR002 | | 073031200 | BOX22 | 7303001 | |
| SR003 | | 073031201 | BOX30 | 7303002 | |
| SR004 | | 073031202 | BOX40 | 7303003 | |
| SR005 | | 073031203 | BOX52 | 7303004 | |
| SR006 | | 073031204 | BOX70 | 7303005 | |
| | | 073031205 | BOX94 | 7303006 | |
| SRB008 | BDSR24 | 073031206 | BOX22 | 7303008 | 36501 |
| SRB009 | BDSR32 | 073031207 | BOX30 | 7303009 | 36503 |
| SRB010 | BDSR43 | 073031208 | BOX40 | 7303010 | 36505 |
| SRB011 | BDSR54 | 073031209 | BOX52 | 7303011 | 36508 |
| SRB012 | BDSR73 | 073031210 | BOX70 | 7303012 | 36512 |
| SRB013 | BDSR97 | 073031211 | BOX94 | 7303013 | 36515 |
| SRB014 | BDSR125 | 073031212 | BOX120 | 7303014 | 36516 |
| SRB015 | BDSR150 | 073031213 | BOX140 | 7303015 | 36517 |
| SRB016 | BDSR170 | 073031214 | | 7303016 | 36518 |
| SRB017 | BDSR200 | 073031214 | | 7303017 | 36519 |
| SS40 | S40 | 20302001 | 20302001 | 20302001 | 36237 |
| SS80 | S80 | 20302002 | 20302002 | 20302002 | 36238 |

Please Note: Comparisons are functional and parts may not be interchangeable

| AMFICO | Appleton | Bridgeport | Crouse Hinds | Dottie | Madison | Neer | OZ Gedney | Regal | RACO | Steel City | T & B | Topaz |
|----------|----------|------------|-----------------|--------|---------|------|-----------|-------|------|------------|-------|-------|
| RB5038 | RB5038 | 1160 | | R351 | | | 320R | | 1141 | | 600TB | RB1 |
| RB7550 | RB7550 | 1161 | 251 | R352 | LRB2 | RB2 | 321R | 8401 | 1142 | RB121 | 601TB | RB2 |
| RB10050 | RB10050 | 1162 | 252 | R353 | LRB3 | RB3 | 323R | 8402 | 1143 | RB131 | 602TB | RB3 |
| RB10075 | RB10075 | 1163 | 260 | R354 | LRB4 | RB4 | 322R | 8403 | 1144 | RB132 | 603TB | RB4 |
| RB12550 | RB12550 | 1164 | 253 | R355 | LRB5 | RB5 | 324R | 8404 | 1145 | RB141 | 604TB | RB5 |
| RB12575 | RB12575 | 1165 | 261 | R356 | LRB6 | RB6 | 325R | 8405 | 1146 | RB142 | 605 | RB6 |
| RB125100 | RB125100 | 1166 | 268 | R357 | LRB7 | RB7 | 326R | 8406 | 1147 | RB143 | 606 | RB7 |
| RB15050 | RB15050 | 1167 | 254 | R358 | LRB8 | RB8 | 330R | 8407 | 1148 | RB151 | 607 | RB8 |
| RB15075 | RB15075 | 1168 | 262 | R359 | LRB9 | RB9 | 329R | 8408 | 1149 | RB152 | 608 | RB9 |
| RB150100 | RB150100 | 1169 | 269 | R360 | LRB10 | RB10 | 328R | 8409 | 1150 | RB153 | 609 | RB10 |
| RB150125 | RB150125 | 1170 | 275 | R361 | LRB11 | RB11 | 327R | 8410 | 1151 | RB154 | 610 | RB11 |
| RB20050 | RB20050 | 1171 | 255 | R362 | | RB12 | 335R | 8411 | 1152 | RB161 | 611 | RB12 |
| RB20075 | RB20075 | 1172 | 263 | R363 | | RB13 | 334R | 8412 | 1153 | RB162 | 612 | RB13 |
| RB200100 | RB200100 | 1173 | 270S | R364 | LRB14 | RB14 | 333R | 8413 | 1154 | RB163 | 613 | RB14 |
| RB200125 | RB200125 | 1174 | 276 | R365 | LRB15 | RB15 | 332R | 8414 | 1155 | RB164 | 614 | RB15 |
| RB200150 | RB200150 | 1175 | 281 | R366 | LRB16 | RB16 | 331R | 8415 | 1156 | RB165 | 615 | RB16 |
| RB250100 | RB250100 | | 282 | | | | 339R | | | | | RB17 |
| RB250125 | RB250125 | | 283 | | | | | | 1160 | | | RB18 |
| RB250150 | RB250150 | | | | LRB21 | | 337R | | 1161 | RB175 | | RB19 |
| RB250200 | RB250200 | 1176 | 285 | R367 | LRB22 | | 336R | | 1162 | RB176 | | RB20 |
| RB300125 | RB300125 | | | | | | | | | | | RB21 |
| RB300150 | RB300150 | | 288 | | | | 340R | | | | | RB22 |
| RB300200 | RB300200 | | 289 | R368 | LRB28 | | 341R | | 1168 | RB186 | | RB23 |
| RB300250 | RB300250 | 1179 | 290M | R369 | LRB29 | | 342R | | 1169 | RB187 | | RB24 |
| RB350150 | | | | | | | | | | | | RB25 |
| RB350200 | RB350200 | | 291 | R370 | | | | | 1175 | | | RB26 |
| RB350250 | RB350250 | | 292 | R371 | LRB32 | | 350R | | 1176 | | | RB27 |
| RB350300 | RB350300 | 1182 | 293 | R372 | LRB33 | | 349R | | 1177 | | | RB28 |
| RB400200 | RB400200 | | 294 | R373 | | | | | | | | RB29 |
| RB400250 | RB400250 | | 295 | R374 | | | 355R | | | | | RB30 |
| RB400300 | RB400300 | | 296 | R375 | LRB36 | | 356R | | 1185 | | | RB31 |
| RB400350 | RB400350 | 1185 | 297 | R376 | LRB37 | | 357R | | 1186 | | | RB32 |

Please Note: Comparisons are functional and parts may not be interchangeable

Catalog Number Cross-Reference by Manufacturer

For items displayed on page 23, 24 and 31

| AMFICO | Appleton | Crouse Hinds | OZ Gedney |
|--------|----------|--------------|-----------|
| RB21H | RB7550 | RE21 | RB321S |
| RB31H | RB10050 | RE31 | RB323S |
| RB32H | RB10075 | RE32 | RB322S |
| RB41H | RB12550 | RE41 | RB324S |
| RB42H | RB12575 | RE42 | RB325S |
| RB43H | RB125100 | RE43 | RB326S |
| RB51H | RB15050 | RE51 | RB330S |
| RB52H | RB15075 | RE52 | RB329S |
| RB53H | RB150100 | RE53 | RB328S |
| RB54H | RB150125 | RE54 | RB327S |
| RB61H | RB20050 | RE61 | RB335 |
| RB62H | RB20075 | RE62 | RB334 |
| RB63H | RB200100 | RE63 | RB333 |
| RB64H | RB200125 | RE64 | RB332 |
| RB65H | RB200150 | RE65 | RB331 |

| AMFICO | Appleton | Crouse Hinds | OZ Gedney |
|--------|-----------|--------------|-----------|
| RBA21H | RB7550A | RE21SA | RB321A |
| RBA31H | RB10050A | RE31SA | RB323A |
| RBA32H | RB10075A | RE32SA | RB322A |
| RBA41H | RB12550A | RE41SA | RB324A |
| RBA42H | RB12575A | RE42SA | RB325A |
| RBA43H | RB125100A | RE43SA | RB326A |
| RBA51H | RB15050A | RE51SA | RB330A |
| RBA52H | RB15075A | RE52SA | RB329A |
| RBA53H | RB150100A | RE53SA | RB328A |
| RBA54H | RB150125A | RE54SA | RB327A |
| RBA61H | RB20050A | RE61SA | RB335A |
| RBA62H | RB20075A | RE62SA | RB334A |
| RBA63H | RB200100A | RE63SA | RB333A |
| RBA64H | RB200125A | RE64SA | RB332A |
| RBA65H | RB200150A | RE65SA | RB331A |

| AMFICO | Appleton | Arlington Bridgeport | Crouse Hinds | Dottie | Madison Neer | OZ Gedney Regal | RACO | Steel City | T & B | Topaz | |
|----------|-----------|----------------------|--------------|--------|--------------|-----------------|--------|------------|-------|--------|-----|
| RW7550 | RW75-50 | RW1 | 1061 | RW21 | MR-2 | RWN-503 | RW-2S | 8120 | 1365 | WA-121 | 900 |
| RW10050 | RW100-50 | RW2 | 1062 | RW31 | MR-3 | RWN-504 | RW-3S | 8121 | 1366 | WA-131 | 901 |
| RW10075 | RW100-75 | RW3 | 1063 | RW32 | MR-4 | RWN-505 | RW-4S | 8122 | 1367 | WA-132 | 902 |
| RW12550 | RW125-50 | RW4 | 1064 | RW41 | MR-5 | RWN-506 | RW-5S | 8123 | 1368 | WA-141 | 903 |
| RW12575 | RW125-75 | RW5 | 1065 | RW42 | MR-6 | RWN-507 | RW-6S | 8124 | 1369 | WA-142 | 904 |
| RW125100 | RW125-100 | RW6 | 1066 | RW43 | MR-7 | RWN-508 | RW-7S | 8125 | 1370 | WA-143 | 905 |
| RW15050 | RW150-50 | RW7 | 1067 | RW51 | MR-8 | RWN-509 | RW-8S | 8126 | 1371 | WA-151 | 906 |
| RW15075 | RW150-75 | RW8 | 1068 | RW52 | MR-9 | RWN-510 | RW-9S | 8127 | 1372 | WA-152 | 907 |
| RW150100 | RW150-100 | RW9 | 1069 | RW53 | MR-10 | RWN-511 | RW-10S | 8128 | 1373 | WA-152 | 908 |
| RW150125 | RW150-125 | RW10 | 1070 | RW54 | MR-11 | RWN-512 | RW-11S | 8129 | 1374 | WA-154 | 909 |
| RW20050 | RW200-50 | RW11 | 1071 | RW61 | MR-12 | RWN-513 | RW-12S | 8130 | 1375 | WA-161 | 910 |
| RW20075 | RW200-75 | RW12 | 1072 | RW62 | MR-13 | RWN-514 | RW-13S | 8131 | 1376 | WA-162 | 911 |
| RW200100 | RW200-100 | RW13 | 1073 | RW63 | MR-14 | RWN-515 | RW-14S | 8132 | 1377 | WA-163 | 912 |
| RW200125 | RW200-125 | RW14 | 1074 | RW64 | MR-15 | RWN-516 | RW-15S | 8133 | 1378 | WA-164 | 913 |
| RW200150 | RW200-150 | RW15 | 1075 | RW65 | MR-16 | RWN-517 | RW-16S | 8134 | 1379 | WA-165 | 914 |

Please Note: Comparisons are functional and parts may not be interchangeable

AMFICO **Appleton** **Arlington** **Bridgeport** **Hinds** **Dottie** **Madison** **Neer** **OZ Gedney Regal** **RACO** **Steel City** **T & B** **Topaz**

| | | | | | | | | | | | | |
|----------|------|--------|------|-------|-------|--|--------|------|------|--------|--------|-----|
| RW25050 | RW16 | 1076 | 360 | RW71 | MR-17 | | RW-17S | 8135 | | WA-171 | WA-171 | 915 |
| RW25075 | RW17 | 1077 | 361 | RW72 | MR-18 | | RW-18S | 8136 | | WA-172 | WA-172 | 916 |
| RW250100 | RW18 | 1078 | 362 | RW73 | MR-19 | | RW-19S | 8137 | 1380 | WA-173 | WA-173 | 917 |
| RW250125 | RW19 | 1079 | 363 | RW74 | MR-20 | | RW-20S | 8138 | 1381 | WA-174 | WA-174 | 918 |
| RW250150 | RW20 | 1080 | 364 | RW75 | MR-21 | | RW-21S | 8139 | 1382 | WA-175 | WA-175 | 919 |
| RW250200 | RW21 | 1081 | 365 | RW76 | MR-22 | | RW-22S | 8140 | 1383 | WA-176 | WA-176 | 920 |
| RW30050 | RW22 | 1082 | | RW81 | MR-23 | | | 8141 | | WA-181 | WA-181 | 921 |
| RW30075 | RW23 | 1083 | | RW82 | MR-24 | | | 8142 | | WA-182 | WA-182 | 922 |
| RW300100 | RW24 | 1084 | 366 | RW83 | MR-25 | | RW-25S | 8143 | | WA-183 | WA-183 | 923 |
| RW300125 | RW25 | 1085 | 367 | RW84 | MR-26 | | RW-26S | 8144 | 1384 | WA-184 | WA-184 | 924 |
| RW300150 | RW26 | 1086 | 368 | RW85 | MR-27 | | RW-27S | 8145 | 1385 | WA-185 | WA-185 | 925 |
| RW300200 | RW27 | 1087 | 369 | RW86 | MR-28 | | RW-28S | 8146 | 1386 | WA-186 | WA-186 | 926 |
| RW300250 | RW28 | 1088 | 370S | RW87 | MR-29 | | RW-29S | 8147 | 1387 | WA-187 | WA-187 | 927 |
| RW35050 | RW29 | 1089-1 | | RW91 | | | | 8148 | | | | 928 |
| RW35075 | RW30 | 1089-2 | | RW92 | | | | 8149 | | | | 929 |
| RW350100 | RW31 | 1089-3 | | RW93 | | | | 8150 | | | | 930 |
| RW350125 | RW32 | 1089-4 | | RW94 | | | | 8151 | | | | 931 |
| RW350150 | RW33 | 1089-5 | 371 | RW95 | | | RW-34S | 8152 | | | | 932 |
| RW350200 | RW34 | 1089-6 | 372 | RW96 | MR-35 | | RW-35S | 8153 | 1389 | | | 933 |
| RW350250 | RW35 | 1089-7 | 373 | RW97 | MR-36 | | RW-36S | 8154 | 1390 | | | 934 |
| RW350300 | RW36 | 1089-8 | 374 | RW98 | MR-37 | | RW-37S | 8155 | 1391 | | | 935 |
| RW40050 | RW37 | 1090-1 | | RW101 | | | | 8156 | | | | 936 |
| RW40075 | RW38 | 1090-2 | | RW102 | | | | 8157 | | | | 937 |
| RW400100 | RW39 | 1090-3 | | RW103 | | | | 8158 | | | | 938 |
| RW400125 | RW40 | 1090-4 | | RW104 | | | | 8159 | | | | 939 |
| RW400150 | RW41 | 1090-5 | | RW105 | | | | 8160 | | | | 940 |
| RW400200 | RW42 | 1090-6 | 375 | RW106 | MR-43 | | RW-43S | 8161 | 1392 | | | 941 |
| RW400250 | RW43 | 1090-7 | 376 | RW107 | MR-44 | | RW-44S | 8162 | 1393 | | | 942 |
| RW400300 | RW44 | 1090-8 | 377 | RW108 | MR-45 | | RW-45S | 8163 | 1394 | | | 943 |
| RW400350 | RW45 | 1090-9 | 378 | RW109 | MR-46 | | RW-46S | 8164 | | | | 944 |

Please Note: Comparisons are functional and parts may not be interchangeable

Catalog Number Cross-Reference by Manufacturer

For items displayed on page 21

| AMFICO | AFC | Appleton | Bridgeport | Crouse Hinds | Dottie | Madison | Neer | OZ Gedney | Regal | RACO | Steel City | T & B | Topaz |
|----------|-----|----------|------------|-----------------|--------|---------|------|-----------|-------|------|------------|-------|-------|
| SNT1750 | | SNTC50 | 3500 | 150P | | | | 28050 | 3002 | | HC101 | | 671S |
| SNT1751 | | SNTC75 | 3501 | 151P | | | | 28075 | 3003 | | HC102 | | 672S |
| SNT1752 | | SNTC100 | 3502 | 152P | | | | 28100 | 3004 | | HC103 | | 673S |
| SNT1753 | | SNTC125 | 3503 | 153P | | | | 28125 | 3005 | | HC104 | | 674S |
| SNT1754 | | SNTC150 | 3504 | 154P | | | | 28150 | 3006 | | HC105 | | 675S |
| SNT1755 | | SNTC200 | 3505 | 155P | | | | 28200 | 3008 | | HC106 | | 676S |
| SNT1756 | | SNTC250 | | 156P | | | | 28250 | 2140 | | HC107 | | |
| SNT1757 | | SNTC300 | | 157P | | | | 28300 | 2142 | | HC108 | | |
| SNT1758 | | SNTC350 | | 158P | | | | 28350 | 2144 | | HC109 | | |
| SNT1759 | | SNTC400 | | 159P | | | | 28400 | 2146 | | HC110 | | |
| SNT1750B | | SRNTC50 | 3500I | 150S | | | | 28050T | | | | HC701 | 8125 |
| SNT1751B | | SRNTC75 | 3501I | 151 | | | | 28075T | | | | HC702 | 8225 |
| SNT1752B | | SRNTC100 | 3502I | 152 | | | | 28100T | | | | HC703 | 8325 |
| SNT1753B | | SRNTC125 | 3503I | 153 | | | | 28125T | | | | HC704 | 8425 |
| SNT1754B | | SRNTC150 | 3504I | 154 | | | | 28150T | | | | HC705 | 8525 |
| SNT1755B | | SRNTC200 | 3505I | 155 | | | | 28200T | | | | HC706 | 8625 |
| SNT1756B | | SRNTC250 | | 156 | | | | 28250T | 2160 | | HC707 | 8725 | |
| SNT1757B | | SRNTC300 | | 157 | | | | 28300T | 2162 | | HC708 | 8825 | |
| SNT1758B | | SRNTC350 | | 158 | | | | 28350T | 2164 | | | 8855 | |
| SNT1759B | | SRNTC400 | | 159 | | | | 28400T | 2166 | | | 8975 | |
| SNT1760 | | SNTCC50 | 3600 | 160 | | | | 29050 | 3022 | | HK101 | 8124 | 681S |
| SNT1761 | | SNTCC75 | 3601 | 161 | | | | 29075 | 3023 | | HK102 | 8224 | 682S |
| SNT1762 | | SNTCC100 | 3602 | 162 | | | | 29100 | 3024 | | HK103 | 8324 | 683S |
| SNT1763 | | SNTCC125 | 3603 | 163 | | | | 29125 | 3025 | | HK104 | 8424 | 684S |
| SNT1764 | | SNTCC150 | 3604 | 164 | | | | 29150 | 3026 | | HK105 | 8524 | 685S |
| SNT1765 | | SNTCC200 | 3605 | 165 | | | | 29200 | 3028 | | HK106 | 8624 | 686S |
| SNT1766 | | SNTCC250 | | 166 | | | | 29250 | 2150 | | HK107 | 8724 | |
| SNT1767 | | SNTCC300 | | 167 | | | | 29300 | 2152 | | HK108 | 8824 | |
| SNT1768 | | SNTCC350 | | 168 | | | | 29350 | 2154 | | HK109 | 8854 | |
| SNT1769 | | SNTCC400 | | 169 | | | | 29400 | 2156 | | HK110 | 8974 | |

Please Note: Comparisons are functional and parts may not be interchangeable

| AMFICO | AFC | Appleton | Bridgeport | Crouse Hinds | Dottie | Madison | Neer | OZ Gedney | Regal | RACO | Steel City | T & B | Topaz |
|--------|--------|----------|------------|-----------------|--------|---------|------|-----------|-------|------|------------|---------|-------|
| SS50 | SC50 | TW50S | 230 | 450S | | MES750 | | 4050S | 7701 | 2002 | TC121SC | TC121SC | 631S |
| SS51 | SC75 | TW75S | 231 | 451 | | MES751 | | 4075S | 7702 | 2003 | TC122SC | TC122 | 632S |
| SS52 | SC100 | TW100S | 232 | 452 | | MES752 | | 4100S | 7703 | 2004 | TC123SC | TC123SC | 633S |
| SS53 | SC125 | TW125S | 233 | 453 | | MES753 | | 4125S | 7704 | 2005 | TC124SC | TC124SC | 634S |
| SS54 | SC150 | TW150S | 234 | 454 | | MES754 | | 4150S | 7705 | 2006 | TC125SC | TC125SC | 635S |
| SS55 | SC200 | TW200S | 235 | 455 | | MES755 | | 4200S | 7706 | 2008 | TC126SC | TC126SC | 636S |
| SS56 | SC250 | TW250S | 236 | 456 | | MES756 | | 4250S | 7707 | 2140 | TC127SC | TC127 | 637S |
| SS57 | SC300 | TW300S | 237 | 457 | | MES757 | | 4300S | 7708 | 2142 | TC128SC | TC128SC | 638S |
| SS58 | SC350 | TW350S | 238 | 458 | | MES758 | | 4350S | 7709 | 2144 | TC129SC | TC129 | 639S |
| SS59 | SC400 | TW400S | 239 | 459 | | MES759 | | 4400S | 7710 | 2146 | TC1210SC | TC1210 | 640S |
| SS50B | SC150 | TW50SI | 230I | 1450 | | MES750B | | 4050ST | 7701S | 2122 | TC721 | TC721 | 631SI |
| SS51B | SC175 | TW75SI | 231I | 1451 | | MES751B | | 4075ST | 7702S | 2123 | TC722 | TC722 | 632SI |
| SS52B | SC1100 | TW100SI | 232I | 1452 | | MES752B | | 4100ST | 7703S | 2124 | TC723 | TC723 | 633SI |
| SS53B | SC1125 | TW125SI | 233I | 1453 | | MES753B | | 4125ST | 7704S | 2125 | TC724 | TC724 | 634SI |
| SS54B | SC1150 | TW150SI | 234I | 1454 | | MES754B | | 4150ST | 7705S | 2126 | TC725 | TC725 | 635SI |
| SS55B | SC1200 | TW200SI | 235I | 1455 | | MES755B | | 4200ST | 7706S | 2128 | TC726 | TC726 | 636SI |
| SS56B | SC1250 | TW250SI | 236I | 1456 | | MES756B | | 4250ST | 7707S | 2160 | TC727 | TC727 | 637SI |
| SS57B | SC1300 | TW300SI | 237I | 1457 | | MES757B | | 4300ST | 7708S | 2162 | TC728 | TC728 | 638SI |
| SS58B | SC1350 | TW350SI | 238I | 1458 | | MES758B | | 4350ST | 7709S | 2164 | TC729 | TC729 | 639SI |
| SS59B | SC1400 | TW400SI | 239I | 1459 | | MES759B | | 4400ST | 7710S | 2166 | TC7210 | TC7210 | 640SI |
| SS60 | SK50 | TWC50S | 240 | 460 | | MES760 | | 5050S | 7711 | 2022 | TK121 | TK121 | 641S |
| SS61 | SK75 | TWC75S | 241 | 461 | | MES761 | | 5075S | 7712 | 2023 | TK122 | TK122 | 642S |
| SS62 | SK100 | TWC100S | 242 | 462 | | MES762 | | 5100S | 7713 | 2024 | TK123 | TK123 | 643S |
| SS63 | SK125 | TWC125S | 243 | 463 | | MES763 | | 5125S | 7714 | 2025 | TK124 | TK124 | 644S |
| SS64 | SK150 | TWC150S | 244 | 464 | | MES764 | | 5150S | 7715 | 2026 | TK125 | TK125 | 645S |
| SS65 | SK200 | TWC200S | 245 | 465 | | MES765 | | 5200S | 7716 | 2028 | TK126 | TK126 | 646S |
| SS66 | SK250 | TWC250S | 246 | 466 | | MES766 | | 5250S | 7717 | 2150 | TK127 | TK127 | 647S |
| SS67 | SK300 | TWC300S | 247 | 467 | | MES767 | | 5300S | 7718 | 2152 | TK128 | TK128 | 648S |
| SS68 | SK350 | TWC350S | 248 | 468 | | MES768 | | 5350S | 7719 | 2154 | TK129 | TK129 | 649S |
| SS69 | SK400 | TWC400S | 249 | 469 | | MES769 | | 5400S | 7720 | 2156 | TK1210 | TK1210 | 650S |

Please Note: Comparisons are functional and parts may not be interchangeable

Catalog Number Cross-Reference by Manufacturer

For items displayed on pages 37 and 38

| AMFICO | AFC | Crouse | | | | | RACO | Steel City | T & B | Topaz | |
|----------|-------|----------|------------|---------|---------|-----------|--------|------------|-------|--------|------|
| | | Appleton | Bridgeport | Hinds | Dottie | Madison | | | | | |
| STR38 | LS38 | ST38 | 429SLT | LT38 | SL38 | MSTR38 | 4038 | 5800 | 3401 | LT100 | 5231 |
| STR50 | LS50 | ST50 | 430SLT | LT50 | SL50 | MSTR50 | 4050 | 5801 | 3402 | LT101 | 5232 |
| STR75 | LS75 | ST75 | 431SLT | LT75 | SL75 | MSTR75 | 4075 | 5802 | 3403 | LT102 | 5233 |
| STR100 | LS100 | ST100 | 432SLT | LT100 | SL100 | MSTR100 | 40100 | 5803 | 3404 | LT103 | 5234 |
| STR125 | LS125 | ST125 | 433SLT | LT125 | SL125 | MSTR125 | 40125 | 5804 | 3405 | LT104 | 5235 |
| STR150 | LS150 | ST150 | 434SLT | LT150 | SL150 | MSTR150 | 40150 | 5805 | 3406 | LT105 | 5236 |
| STR200 | LS200 | ST200 | 435SLT | LT200 | SL200 | MSTR200 | 40200 | 5806 | 3408 | LT106 | 5237 |
| STR250 | LS250 | ST250 | | LT250 | | | 40250 | | 3410 | LT107 | 5238 |
| STR300 | LS300 | ST300 | | LT300 | | | 40300 | | 3412 | LT108 | 5239 |
| STR350 | LS350 | ST350 | | LT350 | | | 40350 | | 3414 | | |
| STR400 | LS400 | ST400 | | LT400 | | | 40400 | | 3416 | LT1010 | 5240 |
| STR500 | LS500 | ST500 | | LT500 | | | 40500 | | | | 5285 |
| STR38B | LS38 | STB38 | 429SLTI | LTB38 | SL38I | MSTR38B | 4038T | 5800S | 3511 | LT700 | 5331 |
| STR50B | LS50 | STB50 | 430SLTI | LTB50 | SL50I | MSTR50B | 4050T | 5801S | 3512 | LT701 | 5332 |
| STR75B | LS75 | STB75 | 431SLTI | LTB75 | SL75I | MSTR75B | 4075T | 5802S | 3513 | LT702 | 5333 |
| STR100B | LS100 | STB100 | 432SLTI | LTB100 | SL100I | MSTR100B | 40100T | 5803S | 3514 | LT703 | 5334 |
| STR125B | LS125 | STB125 | 433SLTI | LTB125 | SL125I | MSTR125B | 40125T | 5804S | 3515 | LT704 | 5335 |
| STR150B | LS150 | STB150 | 434SLTI | LTB150 | SL150I | MSTR150B | 40150T | 5805S | 3516 | LT705 | 5336 |
| STR200B | LS200 | STB200 | 435SLTI | LTB200 | SL200I | MSTR200B | 40200T | 5806S | 3518 | LT706 | 5337 |
| STR250B | LS250 | STB250 | | LTB250 | | MSTR250B | 40250T | | 3520 | LT707 | 5338 |
| STR300B | LS300 | STB300 | | LTB300 | | MSTR300B | 40300T | | 3522 | LT708 | 5339 |
| STR350B | LS350 | STB350 | | LTB350 | | MSTR350B | 40350T | | 3524 | | 479S |
| STR400B | LS400 | STB400 | | LTB400 | | MSTR400B | 40400T | | 3526 | LT7010 | 5340 |
| STR500B | | STB500 | | LTB500 | | | 40500T | | | | 5385 |
| STR3890 | L938 | ST9038 | 469SLT | LT3890 | SL9038 | MSTR3890 | 40938 | 5840 | 3421 | LT490 | 5251 |
| STR5090 | L950 | ST9050 | 470SLT | LT5090 | SL9050 | MSTR5090 | 40950 | 5841 | 3422 | LT491 | 5252 |
| STR7590 | L975 | ST9075 | 471SLT | LT7590 | SL9075 | MSTR7590 | 40975 | 5842 | 3423 | LT492 | 5253 |
| STR10090 | L9100 | ST90100 | 472SLT | LT10090 | SL90100 | MSTR10090 | 409100 | 5843 | 3424 | LT493 | 5254 |
| STR12590 | L9125 | ST90125 | 473SLT | LT12590 | SL90125 | MSTR12590 | 409125 | 5844 | 3425 | LT494 | 5255 |
| STR15090 | L9150 | ST90150 | 474SLT | LT15090 | SL90150 | MSTR15090 | 409150 | 5845 | 3426 | LT495 | 5256 |
| STR20090 | L9200 | ST90200 | 475SLT | LT20090 | SL90200 | MSTR20090 | 409200 | 5846 | 3428 | LT496 | 5257 |
| STR25090 | L9250 | ST90250 | | LT25090 | | | 409250 | | 3430 | LT497 | 5258 |
| STR30090 | L9300 | ST90300 | | LT30090 | | | 409300 | | 3432 | LT498 | 5259 |
| STR35090 | | | | LT35090 | | | | | | | |
| STR40090 | L9400 | ST90400 | | LT40090 | | | 409400 | | 3436 | LT4910 | 5260 |

Please Note: Comparisons are functional and parts may not be interchangeable

| AMFICO | AFC | Appleton | Bridgeport | Crouse Hinds | Dottie | Madison | OZ Gedney | Regal | RACO | Steel City | T & B | Topaz |
|-----------|--------|----------|------------|-----------------|----------|------------|-----------|-------|------|------------|-------|-------|
| STR3890B | L1938 | STB9038 | 469SLJI | LTB3890 | SL9038I | MSTR3890B | 4Q938T | 5840S | 3541 | LT990 | 5351 | 490S |
| STR5090B | L1950 | STB9050 | 470SLJI | LTB5090 | SL9050I | MSTR5090B | 4Q950T | 5841S | 3542 | LT991 | 5352 | 491S |
| STR7590B | L1975 | STB9075 | 471SLJI | LTB7590 | SL9075I | MSTR7590B | 4Q975T | 5842S | 3543 | LT992 | 5353 | 492S |
| STR10090B | L19100 | STB90100 | 472SLJI | LTB10090 | SL90100I | MSTR10090B | 4Q9100T | 5843S | 3544 | LT993 | 5354 | 493S |
| STR12590B | L19125 | STB90125 | 473SLJI | LTB12590 | SL90125I | MSTR12590B | 4Q9125T | 5844S | 3545 | LT994 | 5355 | 494S |
| STR15090B | L19150 | STB90150 | 474SLJI | LTB15090 | SL90150I | MSTR15090B | 4Q9150T | 5845S | 3546 | LT995 | 5356 | 495S |
| STR20090B | L19200 | STB90200 | 475SLJI | LTB20090 | SL90200I | MSTR20090B | 4Q9200T | 5846S | 3548 | LT996 | 5357 | 496S |
| STR25090B | L19250 | STB90250 | | LTB25090 | | MSTR25090B | 4Q9250T | | 3550 | LT997 | 5358 | 497S |
| STR30090B | L19300 | STB90300 | | LTB30090 | | MSTR30090B | 4Q9300T | | 3552 | LT998 | 5359 | 498S |
| STR35090B | | | | LTB35090 | | MSTR35090B | | | | | | |
| STR40090B | L19400 | STB90400 | | LTB40090 | | MSTR40090B | 4Q9400T | | 3556 | LT9910 | 5360 | 500S |
| STR3845 | L438 | ST4538 | 449SLJI | L73845 | SL4538 | MSTR3845 | 4Q438 | 5820 | 3441 | LT450 | 5241 | |
| STR5045 | L450 | ST4550 | 450SLJI | L75045 | SL4550 | MSTR5045 | 4Q450 | 5821 | 3442 | LT451 | 5242 | |
| STR7545 | L475 | ST4575 | 451SLJI | L77545 | SL4575 | MSTR7545 | 4Q475 | 5822 | 3443 | LT452 | 5243 | |
| STR10045 | L4100 | ST45100 | | L710045 | SL45100 | MSTR10045 | 4Q4100 | 5823 | 3444 | LT453 | 5244 | |
| STR12545 | L4125 | ST45125 | | L712545 | SL45125 | MSTR12545 | 4Q4125 | 5824 | 3445 | LT454 | 5245 | |
| STR15045 | L4150 | ST45150 | | L715045 | SL45150 | MSTR15045 | 4Q4150 | 5825 | 3446 | LT455 | 5246 | |
| STR20045 | L4200 | ST45200 | | L720045 | SL45200 | MSTR20045 | 4Q4200 | 5826 | 3448 | LT456 | 5247 | |
| STR25045 | L4250 | ST45250 | | L725045 | | | 4Q4250 | | | | 5248 | |
| STR30045 | L4300 | ST45300 | | L730045 | | | 4Q4300 | | | | 5249 | |
| STR35045 | | | | L735045 | | | | | | | | |
| STR40045 | L4400 | ST45400 | | L740045 | | | 4Q4400 | | | | 5250 | |
| STR3845B | L1438 | STB4538 | 449SLJI | L7B3845 | SL4538I | MSTR3845B | 4Q438T | 5820S | 3561 | LT950 | 5341 | 230S |
| STR5045B | L1450 | STB4550 | 450SLJI | L7B5045 | SL4550I | MSTR5045B | 4Q450T | 5821S | 3562 | LT951 | 5342 | 231S |
| STR7545B | L1475 | STB4575 | 451SLJI | L7B7545 | SL4575I | MSTR7545B | 4Q475T | 5822S | 3563 | LT952 | 5343 | 232S |
| STR10045B | L14100 | STB45100 | | L7B10045 | SL45100I | MSTR10045B | 4Q4100T | 5823S | 3564 | LT953 | 5344 | 233S |
| STR12545B | L14125 | STB45125 | | L7B12545 | SL45125I | MSTR12545B | 4Q4125T | 5824S | 3565 | LT954 | 5345 | 234S |
| STR15045B | L14150 | STB45150 | | L7B15045 | SL45150I | MSTR15045B | 4Q4150T | 5825S | 3566 | LT955 | 5346 | 235S |
| STR20045B | L14200 | STB45200 | | L7B20045 | SL45200I | MSTR20045B | 4Q4200T | 5826S | 3568 | LT956 | 5347 | 236S |
| STR25045B | L14250 | STB45250 | | L7B25045 | | MSTR25045B | 4Q4250T | | | | 5348 | 237S |
| STR30045B | L14300 | STB45300 | | L7B30045 | | MSTR30045B | 4Q4300T | | | | 5349 | 238S |
| STR35045B | | | | L7B35045 | | MSTR35045B | | | | | | |
| STR40045B | L14400 | STB45400 | | L7B40045 | | MSTR40045B | 4Q4400T | | | | 5350 | 240S |

Please Note: Comparisons are functional and parts may not be interchangeable

Catalog Number Cross-Reference by Manufacturer

For items displayed on pages 40 and 41

| AMFICO | Appleton | Crouse Hinds | OZ Gedney | RACO | T & B |
|------------|----------|-----------------|-----------|--------|--------|
| STR38GL | ST38L | LT38G | 4Q38L | | 5231GR |
| STR50GL | ST50L | LT50G | 4Q50L | | 5232GR |
| STR75GL | ST75L | LT75G | 4Q75L | | 5233GR |
| STR100GL | ST100L | LT100G | 4Q100L | | 5234GR |
| STR125GL | ST125L | LT125G | 4Q125L | | 5235GR |
| STR150GL | ST150L | LT150G | 4Q150L | | 5236GR |
| STR200GL | ST200L | LT200G | 4Q200L | | 5237GR |
| STR250GL | ST250L | LT250G | 4Q250L | | 5238GR |
| STR300GL | ST300L | LT300G | 4Q300L | | 5239GR |
| STR350GL | ST350L | LT350G | 4Q350L | | |
| STR400GL | ST400L | LT400G | 4Q400L | | 5240GR |
| STR38BGL | STB38L | LTB38G | 4Q38LT | 3511-3 | 5331GR |
| STR50BGL | STB50L | LTB50G | 4Q50LT | 3512-3 | 5332GR |
| STR75BGL | STB75L | LTB75G | 4Q75LT | 3513-3 | 5333GR |
| STR100BGL | STB100L | LTB100G | 4Q100LT | 3514-3 | 5334GR |
| STR125BGL | STB125L | LTB125G | 4Q125LT | 3515-3 | 5335GR |
| STR150BGL | STB150L | LTB150G | 4Q150LT | 3516-3 | 5336GR |
| STR200BGL | STB200L | LTB200G | 4Q200LT | 3518-3 | 5337GR |
| STR250BGL | STB250L | LTB250G | 4Q250LT | 3520-3 | 5338GR |
| STR300BGL | STB300L | LTB300G | 4Q300LT | 3522-3 | 5339GR |
| STR350BGL | STB350L | LTB350G | 4Q350LT | 3524-3 | |
| STR400BGL | STB400L | LTB400G | 4Q400LT | 3526-3 | 5340GR |
| STR3890GL | ST9038L | LT3890G | 4Q938L | | 5251GR |
| STR5090GL | ST9050L | LT5090G | 4Q950L | | 5252GR |
| STR7590GL | ST9075L | LT7590G | 4Q975L | | 5253GR |
| STR10090GL | ST90100L | LT10090G | 4Q9100L | | 5254GR |
| STR12590GL | ST90125L | LT12590G | 4Q9125L | | 5255GR |
| STR15090GL | ST90150L | LT15090G | 4Q9150L | | 5256GR |
| STR20090GL | ST90200L | LT20090G | 4Q9200L | | 5257GR |
| STR25090GL | ST90250L | LT25090G | 4Q9250L | | 5258GR |
| STR30090GL | ST90300L | LT30090G | 4Q9300L | | 5259GR |
| STR35090GL | | LT35090G | | | |
| STR40090GL | ST90400L | LT40090G | 4Q9400L | | 5260GR |

Please Note: Comparisons are functional and parts may not be interchangeable

For items displayed on pages 41 and 42

| AMFICO | Appleton | Crouse Hinds | OZ Gedney | RACO | T & B |
|-------------|-----------|-----------------|-----------|--------|--------|
| STR3890BGL | STB9038L | LTB3890G | 4Q938LT | 3541-3 | 5351GR |
| STR5090BGL | STB9050L | LTB5090G | 4Q950LT | 3542-3 | 5352GR |
| STR7590BGL | STB9075L | LTB7590G | 4Q975LT | 3543-3 | 5353GR |
| STR10090BGL | STB90100L | LTB10090G | 4Q9100LT | 3544-3 | 5354GR |
| STR12590BGL | STB90125L | LTB12590G | 4Q9125LT | 3545-3 | 5355GR |
| STR15090BGL | STB90150L | LTB15090G | 4Q9150LT | 3546-3 | 5356GR |
| STR20090BGL | STB90200L | LTB20090G | 4Q9200LT | 3548-3 | 5357GR |
| STR25090BGL | STB90250L | LTB25090G | 4Q9250LT | 3550-3 | 5358GR |
| STR30090BGL | STB90300L | LTB30090G | 4Q9300LT | 3552-3 | 5359GR |
| STR35090BGL | | LTB35090G | | | |
| STR40090BGL | STB90400L | LTB40090G | 4Q9400LT | 3556-3 | 5360GR |
| STR3845GL | ST4538L | LT3845G | 4Q438L | | 5241GR |
| STR5045GL | ST4550L | LT5045G | 4Q450L | | 5242GR |
| STR7545GL | ST4575L | LT7545G | 4Q475L | | 5243GR |
| STR10045GL | ST45100L | LT10045G | 4Q4100L | | 5244GR |
| STR12545GL | ST45125L | LT12545G | 4Q4125L | | 5245GR |
| STR15045GL | ST45150L | LT15045G | 4Q4150L | | 5246GR |
| STR20045GL | ST45200L | LT20045G | 4Q4200L | | 5247GR |
| STR25045GL | ST45250L | LT25045G | 4Q4250L | | 5248GR |
| STR30045GL | ST45300L | LT30045G | 4Q4300L | | 5249GR |
| STR35045GL | | LT35045G | | | |
| STR40045GL | ST45400L | LT40045G | 4Q4400L | | 5250GR |
| STR3845BGL | STB4538L | LTB3845G | 4Q438LT | 3561-3 | 5341GR |
| STR5045BGL | STB4550L | LTB5045G | 4Q450LT | 3562-3 | 5342GR |
| STR7545BGL | STB4575L | LTB7545G | 4Q475LT | 3563-3 | 5343GR |
| STR10045BGL | STB45100L | LTB10045G | 4Q4100LT | 3564-3 | 5344GR |
| STR12545BGL | STB45125L | LTB12545G | 4Q4125LT | 3565-3 | 5345GR |
| STR15045BGL | STB45150L | LTB15045G | 4Q4150LT | 3566-3 | 5346GR |
| STR20045BGL | STB45200L | LTB20045G | 4Q4200LT | 3568-3 | 5347GR |
| STR25045BGL | STB45250L | LTB25045G | 4Q4250LT | | 5348GR |
| STR30045BGL | STB45300L | LTB30045G | 4Q4300LT | | 5349GR |
| STR35045BGL | | LTB35045G | | | |
| STR40045BGL | STB45400L | LTB40045G | 4Q4400LT | | 5350GR |

Please Note: Comparisons are functional and parts may not be interchangeable

For items displayed on pages 59 and 60

| AMFICO | Appleton | Bryant | Kellems | RACO | Remke | Pass & Seymour | Woodhead |
|------------|------------|-----------|----------|--------|--------|----------------|----------|
| STR38GT | STB38SR | FC38IT | 74093511 | 3511-2 | LMM02E | STB38SF | 36440 |
| STR50GT | STB50SR | FC50IT | 74093512 | 3512-2 | LMM12E | STB50SF | 36370 |
| STR75GT | STB75SR | FC75IT | 74093513 | 3513-2 | LMM22E | STB75SF | 36371 |
| STR100GT | STB100SR | FC100IT | 74093514 | 3514-2 | LMM32E | STB100SF | 36372 |
| STR125GT | STB125SR | FC125IT | 74093515 | 3515-2 | LMM42E | STB125SF | 36373 |
| STR150GT | STB150SR | FC150IT | 74093516 | 3516-2 | LMM52E | STB150SF | 36374 |
| STR200GT | STB200SR | FC200IT | 74093518 | 3518-2 | LMM62E | STB200SF | 36375 |
| STR3890GT | STB9038SR | FC3890IT | 74093541 | 3541-2 | LML02E | STB9038SF | 36443 |
| STR5090GT | STB9050SR | FC5090IT | 74093542 | 3542-2 | LML12E | STB9050SF | 36400 |
| STR7590GT | STB9075SR | FC7590IT | 74093543 | 3543-2 | LML22E | STB9075SF | 36401 |
| STR10090GT | STB90100SR | FC10090IT | 74093544 | 3544-2 | LML32E | STB90100SF | 36402 |
| STR12590GT | STB90125SR | FC12590IT | 74093545 | 3545-2 | LML42E | STB90125SF | 36403 |
| STR15090GT | STB90150SR | FC15090IT | 74093546 | 3546-2 | LML52E | STB90150SF | 36404 |
| STR20090GT | STB90200SR | FC20090IT | 74093548 | 3548-2 | LML62E | STB90200SF | 36405 |
| STR3845GT | STB4538SR | FC3845IT | 74093561 | 3561-2 | LMA02E | STB4538SF | 36442 |
| STR5045GT | STB4550SR | FC5045IT | 74093562 | 3562-2 | LMA12E | STB4550SF | 36390 |
| STR7545GT | STB4575SR | FC7545IT | 74093563 | 3563-2 | LMA22E | STB4575SF | 36391 |
| STR10045GT | STB45100SR | FC10045IT | 74093564 | 3564-2 | LMA32E | STB45100SF | 36392 |
| STR12545GT | STB45125SR | FC12545IT | 74093565 | 3565-2 | LMA42E | STB45125SF | 36393 |
| STR15045GT | STB45150SR | FC15045IT | 74093566 | 3566-2 | LMA52E | STB45150SF | 36394 |
| STR20045GT | STB45200SR | FC20045IT | 74093568 | 3568-2 | LMA62E | STB45200SF | 36395 |

Please Note: Comparisons are functional and parts may not be interchangeable

For items displayed on pages 46, 47 and 48

| AMFICO | Appleton | Crouse Hinds | Dottie | Madison | OZ Gedney | Steel City | T & B | Topaz |
|------------|----------|--------------|--------|-----------|-----------|------------|----------|-------|
| STR38F | | FE38 | | | | | | |
| STR50F | | FE50 | | | | | | |
| STR75F | | FE75 | | | | | | |
| STR100F | | FE100 | | | | | | |
| STR125F | | FE125 | | | | | | |
| STR150F | | FE150 | | | | | | |
| STR200F | | FE200 | | | | | | |
| STR250F | | FE250 | | | | | | |
| STR300F | | FE300 | | | | | | |
| STR350F | | FE350 | | | | | | |
| STR400F | | FE400 | | | | | | |
| STR38FR | ST38F | | | | | | 5271 | |
| STR50FR | ST50F | | | | | | 5272 | |
| STR75FR | ST75F | | | | | | 5273 | |
| STR100FR | ST100F | | | | | | 5274 | |
| STR38807MS | | | | | | | | |
| STR3814MS | | | | | | | CNA03814 | |
| STR3818MS | | | | | | | CNA05018 | |
| STR5018MS | | | | | | | CNA05018 | |
| STR5020MS | | | | | | | CNA07520 | |
| STR7520MS | | | | | | | CNA07520 | |
| STREMT50 | | | CF1 | MLTEMT50 | | LTT111 | LTT111 | 271 |
| STREMT75 | | | CF2 | MLTEMT75 | | LTT112 | LTT112 | 272 |
| STREMT100 | | | CF3 | MLTEMT100 | | LTT113 | LTT113 | 273 |
| STRNT50 | | LTR50 | | MLTNT50 | 4Q50FM | LTH111 | LTH111 | |

Please Note: Comparisons are functional and parts may not be interchangeable

Catalog Index 18

| Catalog Number | Page | Catalog Number | Page | Catalog Number | Page | Catalog Number | Page | Catalog Number | Page | Catalog Number | Page | Catalog Number | Page |
|----------------|------|----------------|------|----------------|------|----------------|------|----------------|------|----------------|------|----------------|------|
| BD032 | 67 | CG100B850 | 8 | CG125C950GT | 63 | CG150E1630GT | 63 | CG200F1750 | 9 | CG30G | 17 | CG200F1750GT | 63 |
| BD032UB | 67 | CG100B85045 | 11 | CG125D1050 | 9 | CG150E1750 | 9 | CG200F1750GT | 63 | CG31G | 17 | CG200F1810 | 9 |
| BD043 | 67 | CG100B85045GT | 65 | CG125D1050GT | 63 | CG150E1750GT | 63 | CG200F1810GT | 63 | CG32G | 17 | CG200F1810GT | 63 |
| BD043UB | 67 | CG100B85090 | 10 | CG125D1150 | 9 | CG150E1880 | 9 | CG200F1810GT | 63 | CG33G | 17 | CG200F1880 | 9 |
| BD056 | 67 | CG100B85090GT | 64 | CG125D1150GT | 63 | CG150E1880 | 63 | CG200F1880 | 9 | CG34G | 17 | CG200F1880GT | 63 |
| BD056UB | 67 | CG100B850GT | 62 | CG125D1250 | 9 | CG1545 | 4 | CG200F1880GT | 63 | CG35G | 17 | CG200F1940 | 9 |
| BD073 | 67 | CG100C1050 | 8 | CG125D1250GT | 63 | CG1590 | 4 | CG200F1940 | 9 | CG36G | 17 | CG200F1940GT | 63 |
| BD073UB | 67 | CG100C105045 | 11 | CG125D1375 | 9 | CG15G | 17 | CG200F1940GT | 63 | CG37G | 17 | CG200F2060 | 9 |
| BD085 | 67 | CG100C105045GT | 65 | CG125D1375GT | 63 | CG16 | 3 | CG200F2060 | 9 | CG38G | 17 | CG200F2060GT | 63 |
| BD085UB | 67 | CG100C105090 | 10 | CG1290 | 4 | CG1645 | 4 | CG200F2060GT | 63 | CG39G | 17 | CG200F2060GT | 63 |
| BD100 | 67 | CG100C105090GT | 64 | CG12AL | 5 | CG1690 | 4 | CG20G | 17 | CG40G | 17 | CG20G | 17 |
| BD100UB | 67 | CG100C1050GT | 62 | CG12ALGT | 66 | CG16G | 17 | CG21 | 3 | CG445 | 4 | CG21 | 3 |
| BD125 | 67 | CG100C950 | 8 | CG12G | 17 | CG17 | 3 | CG21G | 17 | CG490 | 4 | CG21G | 17 |
| BD125UB | 67 | CG100C95045 | 11 | CG13 | 3 | CG1745 | 4 | CG22 | 3 | CG490 | 4 | CG22 | 3 |
| CG1 | 3 | CG100C95045GT | 65 | CG1345 | 4 | CG1790 | 4 | CG22G | 17 | CG4AL | 5 | CG22G | 17 |
| CG10 | 3 | CG100C95090 | 10 | CG1390 | 4 | CG17G | 17 | CG23 | 3 | CG4ALGT | 66 | CG23 | 3 |
| CG100B560 | 8 | CG100C95090GT | 64 | CG13G | 17 | CG18 | 3 | CG23G | 17 | CG4G | 17 | CG23G | 17 |
| CG100B56045 | 11 | CG100C950GT | 62 | CG14 | 3 | CG1845 | 4 | CG24 | 3 | CG5 | 3 | CG24 | 3 |
| CG100B56045GT | 65 | CG1045 | 4 | CG1445 | 4 | CG1890 | 4 | CG245 | 4 | CG50A222H | 18 | CG245 | 4 |
| CG100B56090 | 10 | CG1090 | 4 | CG145 | 4 | CG18G | 17 | CG24G | 17 | CG50A223H | 18 | CG24G | 17 |
| CG100B56090GT | 64 | CG10AL | 5 | CG1490 | 4 | CG19 | 3 | CG25 | 3 | CG50A250 | 8 | CG25 | 3 |
| CG100B560GT | 62 | CG10ALGT | 66 | CG14G | 17 | CG190 | 4 | CG25G | 17 | CG50A25045 | 11 | CG25G | 17 |
| CG100B650 | 8 | CG10G | 17 | CG15 | 3 | CG19G | 17 | CG26 | 3 | CG50A25045GT | 65 | CG26 | 3 |
| CG100B65045 | 11 | CG11 | 3 | CG150D1050 | 9 | CG1AL | 5 | CG26G | 17 | CG50A25090 | 10 | CG26G | 17 |
| CG100B65045GT | 65 | CG1145 | 4 | CG150D1050GT | 63 | CG1ALGT | 66 | CG27 | 3 | CG50A25090GT | 64 | CG27 | 3 |
| CG100B65090 | 10 | CG1190 | 4 | CG150D1150 | 9 | CG1G | 17 | CG27G | 17 | CG50A250GT | 62 | CG27G | 17 |
| CG100B65090GT | 64 | CG11AL | 5 | CG150D1150GT | 63 | CG2 | 3 | CG28 | 3 | CG50A350 | 8 | CG28 | 3 |
| CG100B650GT | 62 | CG11ALGT | 66 | CG150D1250 | 9 | CG20 | 3 | CG28G | 17 | CG50A35045 | 11 | CG28G | 17 |
| CG100B750 | 8 | CG11G | 17 | CG150D1250GT | 63 | CG200F1380 | 9 | CG290 | 4 | CG50A35045GT | 65 | CG290 | 4 |
| CG100B75045 | 11 | CG12 | 3 | CG150D1375 | 9 | CG200F1380GT | 63 | CG29G | 17 | CG50A35045GT | 65 | CG29G | 17 |
| CG100B75045GT | 65 | CG1245 | 4 | CG150D1375GT | 63 | CG200F1500 | 9 | CG2AL | 5 | CG50A35045GT | 65 | CG200F1500 | 9 |
| CG100B75090 | 10 | CG125C850 | 9 | CG150E1500 | 9 | CG200F1500GT | 63 | CG2ALGT | 66 | CG50A35045GT | 65 | CG200F1500GT | 63 |
| CG100B75090GT | 64 | CG125C850GT | 63 | CG150D1500GT | 63 | CG200F1630 | 9 | CG2G | 17 | CG50A35045GT | 65 | CG200F1630 | 9 |
| CG100B750GT | 62 | CG125C950 | 9 | CG150E1630 | 9 | CG200F1630GT | 63 | CG3 | 3 | CG50A35045GT | 65 | CG200F1630GT | 63 |

Please Note: Comparisons are functional and parts may not be interchangeable

| Catalog Number | Page | Catalog Number | Page | Catalog Number | Page | Catalog Number | Page | Catalog Number | Page | Catalog Number | Page |
|----------------|------|----------------|------|----------------|-------|----------------|-------|----------------|------|----------------|------|
| CG50A35090 | 10 | CG75A222H | 18 | CG75B75045GT | 65 | CHB7 | 29,55 | CSR2002 | 30 | EC754BUSRT | 51 |
| CG50A35090GT | 64 | CG75A223H | 18 | CG75B75090 | 10 | CHB8 | 29,55 | CSR251 | 30 | EC754US | 50 |
| CG50A350GT | 62 | CG75A250 | 8 | CG75B75090GT | 64 | CHB9 | 29,55 | CSR371 | 30 | EC754USRT | 51 |
| CG50A450 | 8 | CG75A25045 | 11 | CG75B750GT | 62 | CN100 | 26 | CSR501 | 30 | EC755 | 52 |
| CG50A45045 | 11 | CG75A25045GT | 65 | CG75B850 | 8 | CN50 | 26 | CSR502 | 30 | EC755B | 47 |
| CG50A45045GT | 65 | CG75A25090 | 10 | CG75B85045 | 11 | CN75 | 26 | CSR751 | 30 | EC755BUS | 50 |
| CG50A45090 | 10 | CG75A25090GT | 64 | CG75B85045GT | 65 | CSBX381 | 30,56 | CSR752 | 30 | EC755BUSRT | 51 |
| CG50A45090GT | 64 | CG75A250GT | 62 | CG75B85090 | 10 | CSE1001 | 56 | EC750 | 52 | EC755US | 50 |
| CG50A450GT | 62 | CG75A350 | 8 | CG75B85090GT | 64 | CSE1002 | 56 | EC750B | 52 | EC755USRT | 51 |
| CG50A560 | 8 | CG75A35045 | 11 | CG75B850GT | 62 | CSE1251 | 56 | EC750BUS | 50 | EC756 | 52 |
| CG50A56045 | 11 | CG75A35045GT | 65 | CG790 | 4 | CSE1252 | 56 | EC750BUSRT | 51 | EC756B | 52 |
| CG50A56045GT | 65 | CG75A35090 | 10 | CG7AL | 5 | CSE1501 | 56 | EC750US | 50 | EC756BUS | 50 |
| CG50A56090 | 10 | CG75A35090GT | 64 | CG7ALGT | 66 | CSE1502 | 56 | EC750USRT | 51 | EC756US | 50 |
| CG50A56090GT | 64 | CG75A350GT | 62 | CG7G | 17 | CSE2001 | 56 | EC751 | 52 | EC757 | 52 |
| CG50A560GT | 62 | CG75A450 | 8 | CG8 | 3 | CSE2002 | 56 | EC751B | 52 | EC757B | 52 |
| CG50A650 | 8 | CG75A45045 | 11 | CG845 | 4 | CSE501 | 56 | EC751BUS | 50 | EC757BUS | 50 |
| CG50A65045 | 11 | CG75A45045GT | 65 | CG890 | 4 | CSE502 | 56 | EC751BUSRT | 51 | EC757US | 50 |
| CG50A65045GT | 65 | CG75A45090 | 10 | CG8AL | 5 | CSE751 | 56 | EC751US | 50 | EC7578 | 52 |
| CG50A65090 | 10 | CG75A45090GT | 64 | CG8ALGT | 66 | CSE752 | 56 | EC751USRT | 51 | EC7578B | 52 |
| CG50A65090GT | 64 | CG75A450GT | 62 | CG8G | 17 | CSER2501 | 30,56 | EC752 | 52 | EC7578BUS | 50 |
| CG50A650GT | 62 | CG75A560 | 8 | CG9 | 3 | CSER2502 | 30,56 | EC752B | 52 | EC758US | 50 |
| CG545 | 4 | CG75A56045 | 11 | CG945 | 4 | CSER3001 | 30,56 | EC752BUS | 50 | EC759 | 52 |
| CG590 | 4 | CG75A56045GT | 65 | CG990 | 4 | CSER3002 | 30,56 | EC752BUSRT | 51 | EC759B | 52 |
| CG5AL | 5 | CG75A56090 | 10 | CG9AL | 5 | CSER3501 | 30,56 | EC752US | 50 | EC759BUS | 50 |
| CG5ALGT | 66 | CG75A56090GT | 64 | CG9ALGT | 66 | CSER3502 | 30,56 | EC752USRT | 51 | EC759US | 50 |
| CG5G | 17 | CG75A560GT | 62 | CG9G | 17 | CSER4001 | 30,56 | EC753 | 52 | EC760 | 52 |
| CG6 | 3 | CG75A650 | 8 | CHB0 | 29,55 | CSER4002 | 30,56 | EC753B | 52 | EC760US | 50 |
| CG645 | 4 | CG75A65045 | 11 | CHB1 | 29,55 | CSR1001 | 30 | EC753BUS | 50 | EC760USRT | 51 |
| CG690 | 4 | CG75A65045GT | 65 | CHB2 | 29,55 | CSR1002 | 30 | EC753BUSRT | 51 | EC761 | 52 |
| CG6AL | 5 | CG75A65090 | 10 | CHB25 | 29,55 | CSR1251 | 30 | EC753US | 50 | EC761US | 50 |
| CG6ALGT | 66 | CG75A65090GT | 64 | CHB3 | 29,55 | CSR1252 | 30 | EC753USRT | 51 | EC761USRT | 51 |
| CG6G | 17 | CG75A650GT | 62 | CHB4 | 29,55 | CSR1501 | 30 | EC754 | 52 | EC762 | 52 |
| CG7 | 3 | CG75B750 | 8 | CHB5 | 29,55 | CSR1502 | 30 | EC754B | 52 | EC762US | 50 |
| CG745 | 4 | CG75B75045 | 11 | CHB6 | 29,55 | CSR2001 | 30 | EC754BUS | 50 | EC762USRT | 51 |

Please Note: Comparisons are functional and parts may not be interchangeable

Catalog Index

| Catalog Number | Page | Catalog Number | Page | Catalog Number | Page | Catalog Number | Page | Catalog Number | Page | | |
|----------------|------|----------------|------|----------------|------|----------------|------|----------------|------|----------|----|
| EC763 | 52 | ER200M | 25 | LN150 | 27 | LTC75 | 44 | NT2752B | 20 | PIB300 | 32 |
| EC763US | 50 | ER250M | 25 | LN150C | 27 | LTC759 | 45 | NT2753 | 20 | PIB350 | 32 |
| EC763USRT | 51 | ER300M | 25 | LN200 | 27 | LTC759B | 45 | NT2753B | 20 | PIB400 | 32 |
| EC764 | 52 | ER350M | 25 | LN200C | 27 | LTC75B | 44 | NT2754 | 20 | PIB500 | 32 |
| EC764US | 50 | ER400M | 25 | LN250 | 27 | NKB50 | 34 | NT2754B | 20 | PIB600 | 32 |
| EC764USRT | 51 | ER50 | 25 | LN300 | 27 | NKB100 | 34 | NT2755 | 20 | PJ024 | 68 |
| EC765 | 52 | ER50M | 25 | LN350 | 27 | NKB125 | 34 | NT2755B | 20 | PJ036 | 68 |
| EC765US | 50 | ER75 | 25 | LN400 | 27 | NKB150 | 34 | NT2756 | 20 | PJ049 | 68 |
| EC765USRT | 51 | ER75M | 25 | LN50 | 27 | NKB200 | 34 | NT2756B | 20 | PJ061 | 68 |
| EC766 | 52 | ETR50 | 26 | LN500 | 27 | NKB250 | 34 | NT2757 | 20 | PJ074 | 68 |
| EC766US | 50 | ETR75 | 26 | LN50C | 27 | NKB75 | 34 | NT2757B | 20 | PJ099 | 68 |
| EC767 | 51 | GLA0 | 47 | LN600 | 27 | NML100 | 34 | NT2758 | 20 | PJ125 | 68 |
| EC767US | 50 | GLA250 | 47 | LN75 | 27 | NMCG100 | 16 | NT2758B | 20 | PJK-1 | 68 |
| EC768 | 52 | GLA4 | 47 | LN75C | 27 | NMCG50 | 16 | NT2759 | 20 | RB10050 | 22 |
| EC768US | 50 | GRL100 | 28 | LTC100 | 44 | NMCG75 | 16 | NT2759B | 20 | RB10075 | 22 |
| EC769 | 52 | GRL125 | 28 | LTC1009 | 45 | NML100 | 43 | NT2760 | 20 | RB125100 | 22 |
| EC769US | 50 | GRL150 | 28 | LTC2009B | 45 | NML10090 | 43 | NT2761 | 20 | RB12550 | 22 |
| EIB50 | 57 | GRL200 | 28 | LTC200B | 44 | NML125 | 43 | NT2762 | 20 | RB12575 | 22 |
| EIB75 | 57 | GRL250 | 28 | LTC2509B | 45 | NML12590 | 43 | NT2763 | 20 | RB150100 | 22 |
| EIB100 | 57 | GRL300 | 28 | LTC250B | 44 | NML150 | 43 | NT2764 | 20 | RB150125 | 22 |
| EIB125 | 57 | GRL350 | 28 | LTC3009B | 45 | NML15090 | 43 | NT2765 | 20 | RB15050 | 22 |
| EIB150 | 57 | GRL400 | 28 | LTC300B | 44 | NML200 | 43 | NT2766 | 20 | RB15075 | 22 |
| EIB200 | 57 | GRL50 | 28 | LTC3509B | 45 | NML20090 | 43 | NT2767 | 20 | RB200100 | 22 |
| EIB250 | 57 | GRL75 | 28 | LTC350B | 44 | NML38 | 43 | NT2768 | 20 | RB200125 | 22 |
| EIB300 | 57 | KOS100 | 33 | LTC38 | 44 | NML3890 | 43 | NT2769 | 20 | RB200150 | 22 |
| EIB350 | 57 | KOS125 | 33 | LTC389 | 45 | NML50 | 43 | NT2770 | 20 | RB20050 | 22 |
| EIB400 | 57 | KOS150 | 33 | LTC389B | 45 | NML5090 | 43 | NT2780 | 20 | RB20075 | 22 |
| ER100 | 25 | KOS200 | 33 | LTC38B | 44 | NML75 | 43 | PIB50 | 32 | RB21H | 23 |
| ER100M | 25 | KOS50 | 33 | LTC4009B | 45 | NML7590 | 43 | PIB75 | 32 | RB250100 | 22 |
| ER125 | 25 | KOS75 | 33 | LTC400B | 44 | NT2750 | 20 | PIB100 | 32 | RB250125 | 22 |
| ER125M | 25 | LN100 | 27 | LTC50 | 44 | NT2750B | 20 | PIB125 | 32 | RB250150 | 22 |
| ER150 | 25 | LN100C | 27 | LTC509 | 45 | NT2751 | 20 | PIB150 | 32 | RB250200 | 22 |
| ER150M | 25 | LN125 | 27 | LTC509B | 45 | NT2751B | 20 | PIB200 | 32 | RB300125 | 22 |
| ER200 | 25 | LN125C | 27 | LTC50B | 44 | NT2752 | 20 | PIB250 | 32 | RB300150 | 22 |

Please Note: Comparisons are functional and parts may not be interchangeable

| Catalog Number | Page | Catalog Number | Page | Catalog Number | Page | Catalog Number | Page | Catalog Number | Page | Catalog Number | Page |
|----------------|------|----------------|------|----------------|------|----------------|------|----------------|------|----------------|------|
| RB300200 | 22 | RBA53H | 24 | RW350125 | 28 | SNT1752B | 21 | SRB011 | 67 | SS56BUS | 53 |
| RB300250 | 22 | RBA61H | 24 | RW350150 | 28 | SNT1753 | 21 | SRB012 | 67 | SS56US | 53 |
| RB31H | 23 | RBA62H | 24 | RW350200 | 28 | SNT1753B | 21 | SBR013 | 67 | SS57 | 54 |
| RB32H | 23 | RBA63H | 24 | RW350250 | 28 | SNT1754 | 21 | SRB014 | 67 | SS57B | 54 |
| RB350150 | 22 | RBA64H | 24 | RW350300 | 31 | SNT1754B | 21 | SRB015 | 67 | SS57BUS | 53 |
| RB350200 | 22 | RBA65H | 24 | RW35050 | 31 | SNT1755 | 21 | SRB016 | 67 | SS57US | 53 |
| RB350250 | 22 | RW10050 | 31 | RW35075 | 31 | SNT1755B | 21 | SRB017 | 67 | SS58 | 54 |
| RB350300 | 22 | RW10075 | 31 | RW400100 | 31 | SNT1756 | 21 | SS40 | 68 | SS58B | 54 |
| RB400200 | 22 | RW125100 | 31 | RW400125 | 31 | SNT1756B | 21 | SS50 | 54 | SS58BUS | 53 |
| RB400250 | 22 | RW12550 | 31 | RW400150 | 31 | SNT1757 | 21 | SS50B | 54 | SS58US | 53 |
| RB400300 | 22 | RW12575 | 31 | RW400200 | 31 | SNT1757B | 21 | SS50BUS | 53 | SS59 | 54 |
| RB400350 | 22 | RW150100 | 31 | RW400250 | 31 | SNT1758 | 21 | SS50US | 53 | SS59B | 54 |
| RB41H | 23 | RW150125 | 31 | RW400300 | 31 | SNT1758B | 21 | SS51 | 54 | SS59BUS | 53 |
| RB42H | 23 | RW15050 | 31 | RW400350 | 31 | SNT1759 | 21 | SS51B | 54 | SS59US | 53 |
| RB43H | 23 | RW15075 | 31 | RW40050 | 31 | SNT1759B | 21 | SS51BUS | 53 | SS60 | 54 |
| RB5038 | 22 | RW200100 | 31 | RW40075 | 31 | SNT1760 | 21 | SS51US | 53 | SS60US | 53 |
| RB51H | 23 | RW200125 | 31 | RW7550 | 31 | SNT1761 | 21 | SS52 | 54 | SS61 | 54 |
| RB52H | 23 | RW200150 | 31 | SL1 | 28 | SNT1762 | 21 | SS52B | 54 | SS61US | 53 |
| RB53H | 23 | RW20050 | 31 | SL10 | 28 | SNT1763 | 21 | SS52BUS | 53 | SS62 | 54 |
| RB54H | 23 | RW20075 | 31 | SL11 | 28 | SNT1764 | 21 | SS52US | 53 | SS62US | 53 |
| RB61H | 23 | RW250100 | 31 | SL12 | 28 | SNT1765 | 21 | SS53 | 54 | SS63 | 54 |
| RB62H | 23 | RW250125 | 31 | SL2 | 28 | SNT1766 | 21 | SS53B | 54 | SS63US | 53 |
| RB63H | 23 | RW250150 | 31 | SL3 | 28 | SNT1767 | 21 | SS53BUS | 53 | SS64 | 54 |
| RB64H | 23 | RW250200 | 31 | SL4 | 28 | SNT1768 | 21 | SS53US | 53 | SS64US | 53 |
| RB65H | 23 | RW25050 | 31 | SL5 | 28 | SNT1769 | 21 | SS54 | 54 | SS65 | 54 |
| RB7550 | 22 | RW25075 | 31 | SL6 | 28 | SR001 | 67 | SS54B | 54 | SS65US | 53 |
| RBA21H | 24 | RW300100 | 31 | SL7 | 28 | SR002 | 67 | SS54BUS | 53 | SS66 | 54 |
| RBA31H | 24 | RW300125 | 31 | SL8 | 28 | SR003 | 67 | SS54US | 53 | SS66US | 53 |
| RBA32H | 24 | RW300150 | 28 | SL9 | 28 | SR004 | 67 | SS55 | 54 | SS67 | 54 |
| RBA41H | 24 | RW300200 | 28 | SNT1750 | 21 | SR005 | 67 | SS55B | 54 | SS67US | 53 |
| RBA42H | 24 | RW300250 | 28 | SNT1750B | 21 | SR006 | 67 | SS55BUS | 53 | SS68 | 54 |
| RBA43H | 24 | RW30050 | 28 | SNT1751 | 21 | SRB008 | 67 | SS55US | 53 | SS68US | 53 |
| RBA51H | 24 | RW30075 | 28 | SNT1751B | 21 | SRB009 | 67 | SS56 | 54 | SS69 | 54 |
| RBA52H | 24 | RW350100 | 28 | SNT1752 | 21 | SRB010 | 67 | SS56B | 54 | SS69US | 53 |

Please Note: Comparisons are functional and parts may not be interchangeable

Catalog Index

| Catalog Number | Page | Catalog Number | Page | Catalog Number | Page | Catalog Number | Page | Catalog Number | Page | Catalog Number | Page |
|----------------|------|----------------|------|----------------|------|----------------|------|----------------|------|----------------|------|
| SS80 | 68 | STR150 | 32 | STR25045B | 39 | STR350GL | 40 | STR400BGL | 40 | STR7590B | 38 |
| STR100 | 37 | STR15045 | 34 | STR25045BGL | 42 | STR38 | 37 | STR400F | 47 | STR7590BGL | 41 |
| STR10045 | 39 | STR15045B | 34 | STR25045GL | 42 | STR3814MS | 48 | STR400GL | 40 | STR7590GL | 41 |
| STR10045B | 39 | STR15045BGL | 42 | STR25090BGL | 41 | STR3814MSGT | 61 | STR50 | 37 | STR7590GT | 60 |
| STR10045BGL | 42 | STR15045GL | 42 | STR25090GL | 41 | STR3818MS | 48 | STR500 | 37 | STR75B | 37 |
| STR10045GL | 42 | STR15045GT | 60 | STR250B | 37 | STR3818MSGT | 61 | STR5018MS | 48 | STR75BGL | 40 |
| STR10045GT | 60 | STR15090 | 38 | STR250BGL | 40 | STR3845 | 39 | STR5018MSGT | 61 | STR75F | 47 |
| STR10090 | 38 | STR15090B | 38 | STR250F | 47 | STR3845B | 39 | STR5020MS | 48 | STR75FR | 48 |
| STR10090B | 38 | STR15090BGL | 41 | STR250GL | 40 | STR3845BGL | 42 | STR5020MSGT | 61 | STR75GL | 40 |
| STR10090BGL | 41 | STR15090GL | 41 | STR300 | 37 | STR3845GL | 42 | STR5045 | 39 | STR75GT | 59 |
| STR10090GL | 41 | STR15090GT | 60 | STR30045 | 39 | STR3845GT | 60 | STR5045B | 39 | STREMT10 | 46 |
| STR10090GT | 60 | STR150B | 37 | STR30045B | 39 | STR38807MS | 48 | STR5045BGL | 42 | STREMT50 | 46 |
| STR100B | 37 | STR150BGL | 40 | STR30045BGL | 42 | STR38807MSGT | 61 | STR5045GL | 42 | STREMT75 | 46 |
| STR100BGL | 40 | STR150F | 47 | STR30045GL | 42 | STR3890 | 38 | STR5045GT | 60 | STRNT50 | 46 |
| STR100F | 47 | STR150GL | 40 | STR30090 | 38 | STR3890B | 38 | STR5090 | 38 | SW100 | 46 |
| STR100FR | 48 | STR150GT | 59 | STR30090B | 38 | STR3890BGL | 41 | STR5090B | 38 | SW125 | 46 |
| STR100GL | 40 | STR200 | 37 | STR30090BGL | 41 | STR3890GL | 41 | STR5090BGL | 41 | SW150 | 46 |
| STR100GT | 59 | STR20045 | 39 | STR30090GL | 41 | STR3890GT | 60 | STR5090GL | 41 | SW200 | 46 |
| STR125 | 37 | STR20045B | 39 | STR300B | 37 | STR38B | 37 | STR5090GT | 60 | SW250 | 46 |
| STR12545 | 39 | STR20045BGL | 42 | STR300BGL | 40 | STR38BGL | 40 | STR50B | 37 | SW300 | 46 |
| STR12545B | 39 | STR20045GL | 42 | STR300F | 47 | STR38F | 47 | STR50BGL | 40 | SW350 | 46 |
| STR12545BGL | 42 | STR20045GT | 60 | STR300GL | 40 | STR38FR | 48 | STR50F | 47 | SW400 | 46 |
| STR12545GL | 42 | STR20090 | 38 | STR350 | 37 | STR38GL | 40 | STR50FR | 48 | SW50 | 46 |
| STR12545GT | 60 | STR20090B | 38 | STR35045 | 39 | STR38GT | 59 | STR50GL | 40 | SW75 | 41 |
| STR12590 | 38 | STR20090BGL | 41 | STR35045B | 39 | STR400 | 37 | STR50GT | 59 | UF50 | 30 |
| STR12590B | 38 | STR20090GL | 41 | STR35045BGL | 42 | STR40045 | 39 | STR75 | 37 | UF5075 | 30 |
| STR12590BGL | 41 | STR20090GT | 60 | STR35045GL | 42 | STR40045B | 39 | STR7520MS | 48 | UF75 | 30 |
| STR12590GL | 41 | STR200B | 37 | STR35090 | 38 | STR40045BGL | 42 | STR7520MSGT | 61 | | |
| STR12590GT | 60 | STR200BGL | 40 | STR35090B | 38 | STR40045GL | 42 | STR7545 | 39 | | |
| STR125B | 37 | STR200F | 47 | STR35090BGL | 41 | STR40090 | 38 | STR7545B | 39 | | |
| STR125BGL | 35 | STR200GL | 40 | STR35090GL | 41 | STR40090B | 38 | STR7545BGL | 42 | | |
| STR125F | 42 | STR200GT | 59 | STR350B | 37 | STR40090BGL | 41 | STR7545GL | 42 | | |
| STR125GL | 35 | STR250 | 37 | STR350BGL | 40 | STR40090GL | 41 | STR7545GT | 60 | | |
| STR125GT | 54 | STR25045 | 39 | STR350F | 47 | STR400B | 37 | STR7590 | 38 | | |