

# Meter Mounting Equipment

Central Hudson Service Area  
New York State Electric & Gas Service Area  
National Grid NY Service Area  
Rochester Gas & Electric Service Area



**MILBANK®**





*Charles A. Milbank*  
1879-1966



*Bill Martin*  
1916-1998



*Robert F. Waldrop*  
1922-2002



*Robert F. Waldrop, II*  
Chairman



*Katrina Waldrop Henke*  
Vice Chairman

## Milbank: Quality Metering Products for 80+ Years

**M**ilbank Manufacturing Company was established in 1927 by Charles A. Milbank. Originally, the company manufactured high voltage switches; however, by 1941 Milbank devoted itself primarily to the manufacture of sheet metal enclosures and related equipment for the electrical generation and distribution industry. Today we are an industry leader in the manufacture of electrical meter sockets. Through a national network of manufacturer's representatives we provide wholesale electrical distributors with quality electrical products for the utility, contractor, industrial and OEM markets.

As the meter standards have changed, Milbank has been successful in adapting its product line to these changes. Our full scale engineering department designs products to meet customer specifications and satisfy all utility requirements. Milbank's employee base of over 1,000 workers, along with our

five manufacturing facilities comprising almost 550,000 square feet give us the flexibility to schedule, produce, and ship orders quickly. Currently, Milbank manufactures over 10,000 different catalog items, and this list continues to grow. Our unique product offering includes: Residential & Commercial Meter Sockets; Residential & Commercial Meter Pedestals; RV/MH Power Outlets, Service Pedestals, and Transformers; Commercial & Industrial Electrical Enclosures; Circuit Breakers; Disconnects & Safety Switches; Safety Sockets; Utility & Residential Secondary Pedestals; Hubs, and related accessories. If you don't find a unit in this catalog to service your needs, send us your specifications and we will be happy to work with you.

Our success has come from a loyal customer base that can rely on us to build quality products at a fair price in a timely manner. Our willingness and ability to design and produce new products

to meet our customer demands is an important factor to remain competitive in today's electrical market.

Milbank has been serving the electric utility & wholesale distribution industries for more than 80 years with innovative, quality engineered products. So remember us for all of your meter mounting and related requirements, and we will be happy to serve you as we have in the past—with dependable service and quality products!

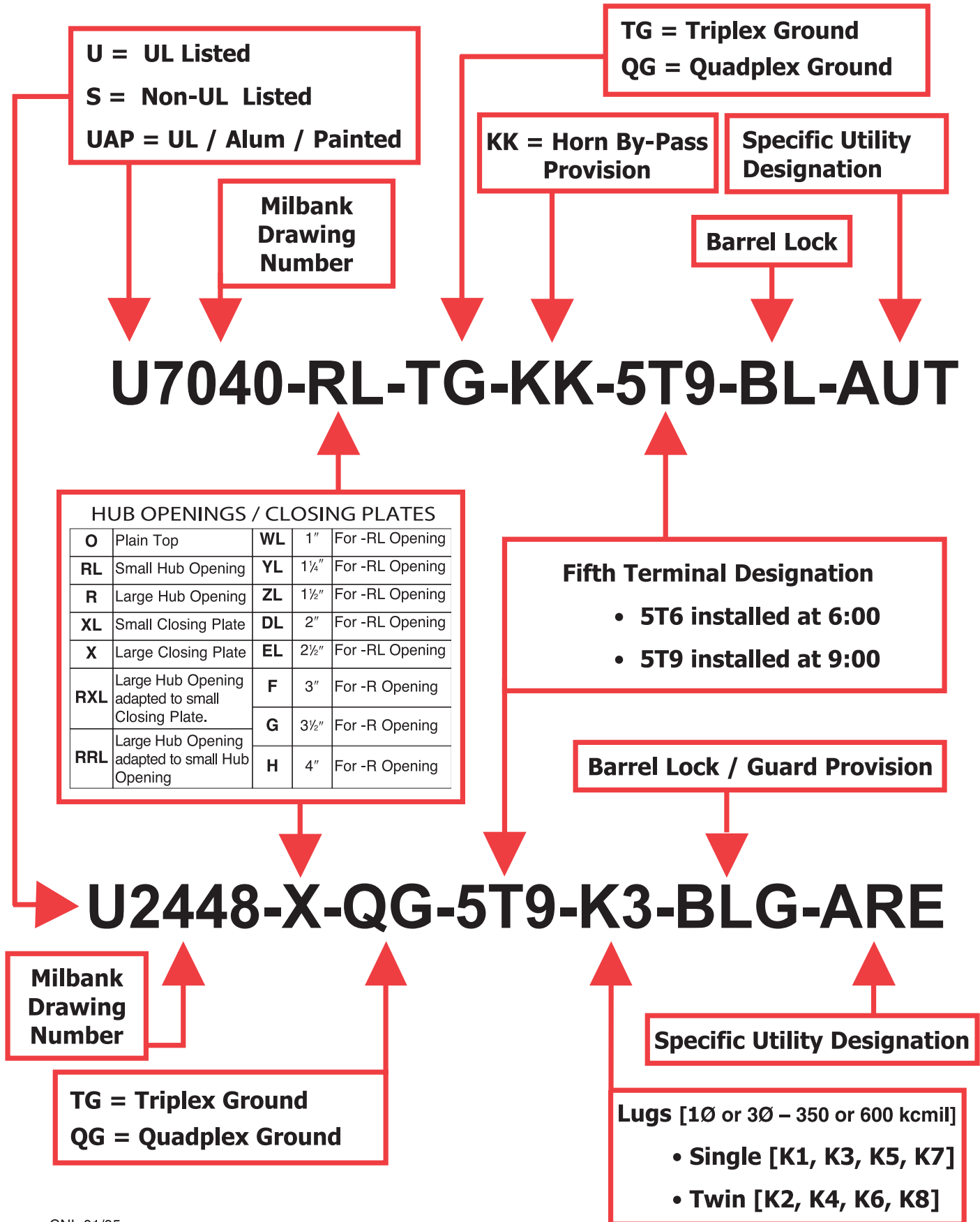
We take great pride in being one of the few family-owned businesses left in our industry. We are a third generation run business and truly believe that...

**FAMILY MAKES A  
DIFFERENCE!**



|  |  |        |
|--|--|--------|
| Catalog Number Logic .....                     | 4  |        |
| <b>DISCONNECTS</b>                             |  |        |
| U3802, U3832, U3860 .....                      | .30 & 60 Amp, Fusible / Non-Fusible AC Disconnect .....                            | 5      |
| U3822-20GWR .....                              | .60 Amp Non-Fused AC Disconnect / 20 Amp GFCI Receptacle .....                     | 6      |
| U4881-O .....                                  | Spa Box with Breaker Provision & GFCI Protection .....                             | 6      |
| U4881-O-50GB, U4881-O-60GB .....               | .50 & 60 Amp Spa Boxes with GFCI Protection .....                                  | 6      |
| <b>COMMERCIAL METER PEDESTALS</b>              |  |        |
| Overview .....                                 | 7  |        |
| Applications & Accessories .....               | 8  |        |
| <b>SINGLE POSITION</b>                         |  |        |
| U4175-RL-BLG .....                             | .100 Amp, 4 Terminal, Load Control Socket .....                                    | 9      |
| U7487-RL-TG-KK .....                           | .125 Amp, 4 Terminal, OH/UG, Horn Bypass .....                                     | 10     |
| U7040-RL-TG-KK-RGE .....                       | .200 Amp, 4 Terminal, OH/UG, Horn Bypass .....                                     | 10     |
| U7021-RL-TG-KK-RGE .....                       | .200 Amp, 4 Terminal, OH, Horn Bypass .....  | 10     |
| U9090-O .....                                  | .200 Amp, 4 Terminal, UG .....   | 11     |
| U5168/5268 Series .....                        | .100-200 Amp, 4 Terminal Meter Main, OH/UG, Horn Bypass .....                      | 12     |
| <b>SINGLE POSITION HEAVY DUTY LEVER BYPASS</b> |  |        |
| U9801-R .....                                  | .200 Amp, 4 Terminal, 1Ø3W, OH/UG .....  | 13     |
| U9551-RXL .....                                | .200 Amp, 5 Terminal, 1Ø3W or 3Ø3W, OH/UG .....                                    | 13     |
| U9551-RL .....                                 | .200 Amp, 5 Terminal, 1Ø3W or 3Ø3W, OH/UG .....                                    | 13     |
| U2048-RL .....                                 | .200 Amp, 5 Terminal, OH .....   | 13, 14 |
| U2047-O .....                                  | .200 Amp, 5 Terminal, UG .....   | 14     |
| U2049-RL .....                                 | .200 Amp, 7 Terminal, OH .....   | 14     |
| U2046-O .....                                  | .200 Amp, 7 Terminal, UG .....   | 14     |
| U9701-R .....                                  | .200 Amp, 7 Terminal, OH/UG, 3Ø4W .....  | 14     |
| U2448-X-RGE .....                              | .320 Amp, 4 Terminal, OH/UG, Side Wireway .....                                    | 15     |
| U5161-X .....                                  | .320 Amp, 4 Terminal, OH/UG, Side Wireway .....                                    | 15     |
| U2594-X .....                                  | .320 Amp, 7 Terminal, OH/UG, 3Ø4W, Side Wireway .....                              | 15     |
| U4013-X .....                                  | .320 Amp, 7 Terminal, OH/UG, 3Ø4W, Side Wireway .....                              | 15     |
| <b>CONDOMINIUM METER BANKS</b>                 |  |        |
| U2852-U2856 .....                              | .125 Amp/Position, 4 Terminal, 200 & 400 Amp Main Bus Ratings .....                | 16     |
| U2862-U2866 .....                              | .200 Amp/Position, 4 Terminal, 250, 300, 400 & 600 Amp Main Bus Ratings .....      | 16     |
| <b>MULTIPLE POSITION (HORIZONTAL GANGS)</b>    |  |        |
| U1252-R-KK-RGE .....                           | .2 Position, 200 Amp / Pos., 4 Terminal, 1Ø3W, OH/UG, Horn Bypass .....            | 17     |
| U1253-R-KK-RGE .....                           | .3 Position, 200 Amp / Pos., 4 Terminal, 1Ø3W, OH/UG, Horn Bypass .....            | 17     |
| U1254-R-KK-EX-RGE .....                        | .4 Position, 200 Amp / Pos., 4 Terminal, 1Ø3W, OH/UG, Horn Bypass .....            | 17     |
| U1255-R-KK-EX-RGE .....                        | .5 Position, 200 Amp / Pos., 4 Terminal, 1Ø3W, OH/UG, Horn Bypass .....            | 17     |
| U1256-R-KK-EX-RGE .....                        | .6 Position, 200 Amp / Pos., 4 Terminal, 1Ø3W, OH/UG, Horn Bypass .....            | 17     |
| U2872-XT .....                                 | .2 Position, 200 Amp / Pos., 5 Terminal, 1Ø3W, OH/UG HD Lever Bypass .....         | 18     |
| U2873-XT .....                                 | .3 Position, 200 Amp / Pos., 5 Terminal, 1Ø3W, OH/UG HD Lever Bypass .....         | 18     |
| U2874-XT .....                                 | .4 Position, 200 Amp / Pos., 5 Terminal, 1Ø3W, OH/UG HD Lever Bypass .....         | 18     |
| U2875-XT .....                                 | .5 Position, 200 Amp / Pos., 5 Terminal, 1Ø3W, OH/UG HD Lever Bypass .....         | 18     |
| U2876-XT .....                                 | .6 Position, 200 Amp / Pos., 5 Terminal, 1Ø3W, OH/UG HD Lever Bypass .....         | 18     |
| U2732-XT .....                                 | .2 Position, 200 Amp / Pos., 7 Terminal, 3Ø4W, OH/UG HD Lever Bypass .....         | 18     |
| U2733-XT .....                                 | .3 Position, 200 Amp / Pos., 7 Terminal, 3Ø4W, OH/UG HD Lever Bypass .....         | 18     |
| U2734-XT .....                                 | .4 Position, 200 Amp / Pos., 7 Terminal, 3Ø4W, OH/UG HD Lever Bypass .....         | 18     |
| U2735-XT .....                                 | .5 Position, 200 Amp / Pos., 7 Terminal, 3Ø4W, OH/UG HD Lever Bypass .....         | 18     |
| U2736-XT .....                                 | .6 Position, 200 Amp / Pos., 7 Terminal, 3Ø4W, OH/UG HD Lever Bypass .....         | 18     |
| <b>MOBILE HOME</b>                             |  |        |
| U4093N-O .....                                 | .1 Position Pedestal, 200 Amp / Pos., 4 Terminal, Circuit Breaker Provisions ..... | 19     |
| U5136 Series & Accessories .....               | .1 Position Pedestal, 100 & 200 Amp, 4 Terminal, Circuit Breaker Provisions .....  | 20, 21 |
| <b>CT ENCLOSURES AND SOCKETS</b>               |  |        |
| U4493-XL .....                                 | .80 Amp, 13 Terminal CT Rated Socket, OH/UG, Lever Bypass .....                    | 22     |
| S1855-O .....                                  | .Current Transformer Enclosure – 400-800 Amp .....                                 | 23     |
| S1856-O .....                                  | .Current Transformer Enclosure – 800-1200 Amp .....                                | 23     |
| CT3R Series & Panels .....                     | .Current Transformer Enclosures & P Series Steel Back Panels .....                 | 24     |
| 363610-TC3R-H-BP-SP .....                      | .Current Transformer Enclosure – National Grid Approved .....                      | 25     |
| <b>ACCESSORIES</b> .....                       | 26, 27   |        |
| <b>MISCELLANEOUS</b>                           |  |        |
| Conduit & Ampacity Information .....           | 28   |        |
| Energization of Electrical Equipment .....     | 29   |        |
| Materials and Finishes .....                   | 30   |        |
| Meter Forms .....                              | 31   |        |
| Index / Utility Approval Matrix .....          | 32   |        |
| Other Milbank Products .....                   | 33   |        |
| Commercial Pedestal Worksheet .....            | 34   |        |

# Catalog Number Logic





U3802



U3832

### PROFILE

Milbank's air conditioner disconnect has a removable hinged cover which makes wiring a breeze. Our compact design meets all wire bending space requirements in the NEC and, also, complies with article 440-14 in the NEC. To insure the safest conditions, we designed our disconnect pullers to be removable or they may be reinstalled in the off position. Another safety feature is the padlock provision on the front cover. As with all Milbank products, our enclosure is constructed of G90U galvanized steel and finished with an attractive, light gray, baked powder coating. Our state of the art finish combines epoxy and polyester hybrid resins into a hybrid powder coating which is then electrostatically applied. This offers a durable, nonfading finish.

### TECHNICAL INFORMATION

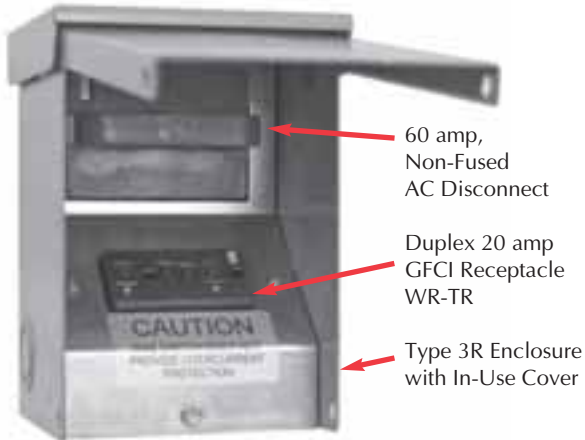
| AMP | TYPE        | CATALOG NUMBER | MAX H.P. | WT. @ # | LINE & LOAD WIRE RANGE |            | GROUND WIRE RANGE | DIMENSIONS |    |       | WIRE RATING |         |
|-----|-------------|----------------|----------|---------|------------------------|------------|-------------------|------------|----|-------|-------------|---------|
|     |             |                |          |         | CU                     | AL         | CU/AL             | D"         | W" | H"    | CU °C       | AL °C   |
| 60  | NON FUSIBLE | <b>U3802</b>   | 10       | 3.25    | #14-#2 AWG             | #12-#2 AWG | #14-4 AWG         | 2-1/2      | 5  | 7-1/2 | 60°/75°     | 60°/75° |
| 30  | FUSIBLE     | <b>U3832</b>   | 3        | 2.5     | #14-#3 AWG             | #14-#3 AWG | #14-3 AWG         | 2-1/8      | 5  | 7     | 60°/75°     | 60°     |
| 60  | FUSIBLE     | <b>U3860</b>   | 10       | 3.3     | #14-#3 AWG             | #14-#3 AWG | #14-3 AWG         | 3          | 5  | 9-1/4 | 60°/75°     | 60°/75° |

- ✓ UL Listed as Enclosed Pullout Switch
  - ✓ 1Ø, 240 VAC
  - ✓ Type 3R Rainproof
- ✓ One-inch concentric knockouts

*Utility requirements for this equipment may vary. Always consult the serving utility for their requirements before ordering or installing equipment in this catalog.*



## Combination AC Disconnect / 20 Amp GFCI Receptacle—Together in 1 Box



U3822-20GWR

- Meets NEC #210.63 Requirements\*
- UL Listed as Power Outlet
- Type 3R Enclosure
- In-Use Cover\*\*
- Duplex Ground Connector
- 1" Concentric Knockouts

### AC DISCONNECT

- 1Ø, 240 Volt
- 60 amp, Non-Fused

### GFCI RECEPTACLE

- 20 amp
- Reset/Test Button
- Weather Resistant/Tamper Resistant
- Meets NEC #406.8 Requirements\*

\* NEC® #210.63 Heating, Air-Conditioning and Refrigeration Equipment Outlet.  
 ...The receptacle shall be located on the same level and within 7.5 m (25 ft.) of the heating, air-conditioning and refrigeration equipment.

\* NEC® #210.68 Ground-Fault Circuit – Interruptor protection for personnel.

\* NEC® #406.8 receptacles in damp or wet locations.

| AMP | TYPE       | CATALOG NUMBER | MAX H.P. | WT. @ # | LINE & LOAD CONNECTOR WIRE RANGE |            | GROUND CONNECTOR WIRE RANGE | DIMENSIONS |      |     | WIRE RATING |         |
|-----|------------|----------------|----------|---------|----------------------------------|------------|-----------------------------|------------|------|-----|-------------|---------|
|     |            |                |          |         | CU                               | AL         | CU/AL                       | D"         | W"   | H"  | CU °C       | AL °C   |
| 60  | NONFUSIBLE | U3822-20GWR    | 10       | 6       | #14-#2 AWG                       | #12-#2 AWG | #14-4 AWG                   | 4.8        | 5.25 | 7.4 | 60°/75°     | 60°/75° |

To ensure the safest conditions, Milbank disconnect pullers are designed to be reversible so they may be reinstalled in the OFF position. All units are designed with a padlock provision on the cover for security.

**\*\*Note: U3822-20GWR** cover rated as *IN-USE COVER* (Cover may be closed with cords plugged into receptacle). Units supplied with WRTR receptacle.

\*Reprinted with permission from NFPA 70-2002, *National Electrical Code*®, Copyright 2001, National Fire Protection Association, Quincy, MA 02269. This reprinted material is not the complete and official position of the NFPA on the referenced subject, which is represented only by the standard in its entirety. National Electrical Code® and NEC® are registered trademarks of the National Fire Protection Association, Quincy, MA.

## Hot Tub Disconnect or Sub Panel Breaker Enclosure—Type 3R

### Spa Box with GFCI Protection



U4881-O-50GB

- 240 Volt ground fault protection
- UL listed, Type 3R rainproof
- Milbank reliability
- Easy installation
- 2 pole, 50 amp GFCI breaker protection
- Compact size:  
8-1/2" H x 7-1/2" W x 3-3/4" D
- 3 or 4 wire installation
- 1Ø, 120 / 240 VAC
- Standard package of 12
- 2 extra one-pole breaker spaces
- 100 amp overall rating

### Sub Panel Breaker Enclosure

- Use as a 100 amp, 4 circuit sub pane enclosure
- U4881-O has provision for (2) 2-pole or (4) 1-pole small frame breakers



| AMP | TYPE              | CATALOG NUMBER | WT. @ # | LINE & LOAD CONNECTOR WIRE RANGE |         | GROUND CONNECTOR WIRE RANGE | DIMENSIONS |       |       |
|-----|-------------------|----------------|---------|----------------------------------|---------|-----------------------------|------------|-------|-------|
|     |                   |                |         | CU                               | AL      | CU/AL                       | D"         | W"    | H"    |
| —   | BREAKER PROVISION | U4881-O        | 7       | #14-1/0                          | #14-1/0 | #14-1/0                     | 3 3/4      | 7 1/2 | 8 1/2 |
| 50  | BREAKER           | U4881-O-50GB   | 8       | #14-1/0                          | #14-1/0 | #14-1/0                     | 3 3/4      | 7 1/2 | 8 1/2 |
| 60  | BREAKER           | U4881-O-60GB   | 8       | #14-1/0                          | #14-1/0 | #14-1/0                     | 3 3/4      | 7 1/2 | 8 1/2 |





# Commercial Pedestals

- *Attractive*
- *Easy to install*
- *Secure*
- *Cost effective*

**Un-Strut  
Your  
Stuff...**

Milbank Commercial Pedestals are pad-mounted, weatherproof electrical enclosures consisting of a utility pull section with optional meter socket, and a customer section containing distribution and control equipment. Milbank Commercial Pedestals are an attractive, secure, easy to install and cost-effective solution when underground remote site power distribution and control equipment is required, replacing unsightly and inefficient strut and backboard structures.



Strut and backboard design



Commercial Pedestal

UL Listed as Industrial Control Equipment (File E113855).

## STANDARD FEATURES –COMMERCIAL PEDESTALS

- Type 3R rainproof, vandal-resistant cabinet of polyurethane powder-coated steel (aluminum or stainless steel also available)
- UL listed as enclosed industrial control equipment (UL508)
- Isolated, lockable & sealable utility metering & lug landing sections
- Lockable customer section for distribution & control equipment with internal deadfront
- Print pocket inside customer section door contains wiring schematics and installation instructions
- Most load centers are UL listed for use with various manufacturers' circuit breakers
- All stainless steel external hardware (screws, bolts, hinges, handles, hasps and sealing screws)
- Meets EUSERC 308 and other utility standards.



Ringless Socket



Ring-type Socket



Utility Lug Landing



Customer Interior



*Utility requirements for this equipment may vary. Always consult the serving utility for their requirements before ordering or installing equipment in this catalog.*

## APPLICATIONS

These units are ideal for controlling and metering:

- Traffic signals
- Street lighting
- Irrigation / sprinkler systems
- Cell towers / telephone vaults
- Pump stations
- Temporary power for fairgrounds, swap meets, outdoor markets, portable offices, holiday lights, etc.
- Outdoor lighting for athletic fields, tennis and basketball courts, parking lots, landscaping and subdivision entrances, etc.



## AVAILABLE FACTORY-INSTALLED OPTIONS

- Meter sockets – ring type or **ringless**, to 400 amp (unmetered pedestals also available)
- Main and branch breakers or T fuses
- Distribution – copper load centers & panel boards
- Clocks / timers / relays
- Photoelectric cells and controls
- Power receptacles – pin & sleeve, twist lock or straight blade
- Contactors – definite purpose, electrical or mechanically held, IEC and mercury types
- Surge protection & lightning arrestors
- Reserve inlet generator receptacle with interlocked circuit breakers
- Motor starters, relays
- Push button controls
- Thermostat controls, fans and heating strips
- Power blocks and terminal blocks
- Steel, aluminum and plywood back boards
- Transformers
- Interlock devices for circuit breakers
- Available in steel, aluminum (raw painted or anodized) or stainless steel construction with powder-coated finish available in 8 standard colors or special ordered RAL colors.
- Available for applications up to 400 amp, 120V, 208V, 240V, 277V, 480V – 1Ø or 3Ø.

## ACCESSORIES



**K3865**  
Fifth terminal kit for use with ringless meter sockets

### 105J

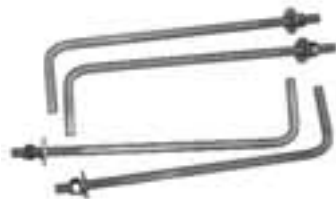
Fifth terminal kit for use with ring-type meter sockets



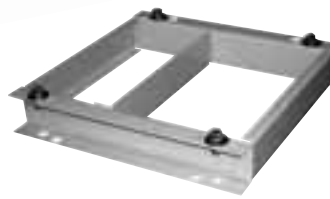
**CP-TC7D** 7-day time clock kit

**CP-TC24H** 24-hour time clock kit

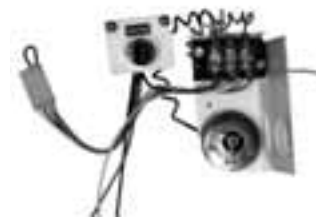
**CP-TCWIRE** Male four-pin connector and wiring harness for use with time clocks other than shown



**CP-ABK5/8**  
Anchor bolt kit (includes four 5/8 - 13 x 18" anchor bolts)



**CP-16PDMNT-CALT**  
Pedestal mounting base for 16" pedestal  
**CP-24PDMNT-CALT**  
Pedestal mounting base for 24" pedestal (includes mounting hardware)



**CP-PE-HOA-3POS**  
HOA switch – for field installation

Use the Commercial Pedestal Worksheet found on Page 33 to request a quote.

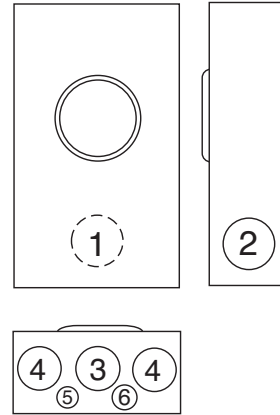
*Utility requirements for this equipment may vary. Always consult the serving utility for their requirements before ordering or installing equipment in this catalog.*



SEE INDEX ON PAGE 32 FOR UTILITY APPROVALS

NATIONAL GRID NY SERVICE AREA APPROVED

100 AMP-4 TERMINAL-LOAD CONTROL SOCKET-600 VAC



U4175-RL-BLG

100 AMP-4 TERMINAL-LOAD CONTROL SOCKET-RINGLESS\*

| CATALOG NUMBER | UTILITY NUMBER | HUB  | CONNECTORS<br>CU/AL | BY-PASS | DIMENSIONS                     |    |                                | CONCENTRIC K.O.'S             |                               |   |                               |   |                               |
|----------------|----------------|------|---------------------|---------|--------------------------------|----|--------------------------------|-------------------------------|-------------------------------|---|-------------------------------|---|-------------------------------|
|                |                |      |                     |         | D"                             | W" | H"                             | 1                             | 2                             | 3 | 4                             | 5 | 6                             |
| U4175-RL-BLG   | M-361          | H.O. | #12-#1 AWG          | NONE    | 3 <sup>5</sup> / <sub>16</sub> | 8  | 11 <sup>1</sup> / <sub>2</sub> | 1 <sup>1</sup> / <sub>2</sub> | 1 <sup>1</sup> / <sub>2</sub> | 2 | 1 <sup>1</sup> / <sub>4</sub> | — | 1 <sup>1</sup> / <sub>4</sub> |

**HUB:** For proper hub selection, see the hub suffix chart on the accessory page.

**\*APPLICATION:** For use on CATV Power Supply Service, Billboard Lighting Service, Traffic Signal Service.

Utility requirements for this equipment may vary. Always consult the serving utility for their requirements before ordering or installing equipment in this catalog.

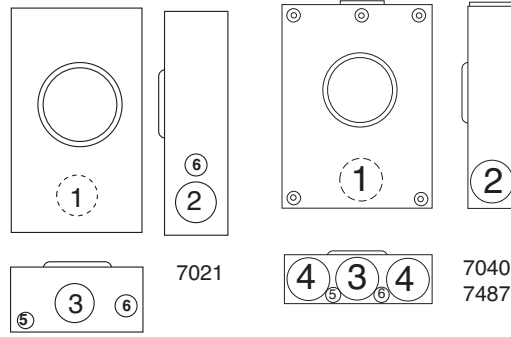


SEE INDEX ON PAGE 32 FOR UTILITY APPROVALS

125 / 200 AMP-4 TERMINAL-600V



U7487-RL-TG-KK  
(APPROVED FOR NYSEG & CENTRAL HUDSON)



U7040-RL-TG-KK-RGE  
(APPROVED FOR NYSEG, RGE & CENTRAL HUDSON)



U7021-RL-TG-KK-RGE  
(APPROVED FOR NYSEG, RGE & NATIONAL GRID NY SERVICE AREAS)

125 AMP-4 TERMINAL-RINGLESS

| CENTRAL HUDSON CODE # | SVC.  | CATALOG NUMBER | HUB  | CONNECTORS CU/AL |        | BY-PASS | DIMENSIONS                     |    |                                | CONCENTRIC K.O.'S             |                               |   |                               |   |                               |
|-----------------------|-------|----------------|------|------------------|--------|---------|--------------------------------|----|--------------------------------|-------------------------------|-------------------------------|---|-------------------------------|---|-------------------------------|
|                       |       |                |      | LINE             | LOAD   |         | D"                             | W" | H"                             | 1                             | 2                             | 3 | 4                             | 5 | 6                             |
| CH-063                | OH/UG | U7487-RL-TG-KK | H.O. | #6-2/0           | #6-2/0 | HORN    | 3 <sup>5</sup> / <sub>16</sub> | 8  | 11 <sup>1</sup> / <sub>2</sub> | 1 <sup>1</sup> / <sub>2</sub> | 1 <sup>1</sup> / <sub>2</sub> | 2 | 1 <sup>1</sup> / <sub>4</sub> | — | 1 <sup>1</sup> / <sub>4</sub> |

200 AMP-4 TERMINAL-RINGLESS

| CENTRAL HUDSON CODE # | SVC. | CATALOG NUMBER       | HUB  | CONNECTORS CU/AL |              | BY-PASS | DIMENSIONS                    |    |                                | CONCENTRIC K.O.'S             |                               |                               |                               |   |   |
|-----------------------|------|----------------------|------|------------------|--------------|---------|-------------------------------|----|--------------------------------|-------------------------------|-------------------------------|-------------------------------|-------------------------------|---|---|
|                       |      |                      |      | LINE             | LOAD         |         | D"                            | W" | H"                             | 1                             | 2                             | 3                             | 4                             | 5   | 6   |
| CH-069                | OH   | U7040-RL-TG-KK-RGE * | H.O. | #6-350 kcmil     | #6-350 kcmil | HORN    | 4 <sup>1</sup> / <sub>8</sub> | 11 | 15 <sup>1</sup> / <sub>2</sub> | 2 <sup>1</sup> / <sub>2</sub> | 2 <sup>1</sup> / <sub>2</sub> | 2 <sup>1</sup> / <sub>2</sub> | 2 <sup>1</sup> / <sub>2</sub> | 1 <sup>1</sup> / <sub>4</sub> , 1 <sup>1</sup> / <sub>2</sub> | 1 <sup>1</sup> / <sub>4</sub>                                 |
| CH-081                | UG   |                      |      |                  |              |         |                               |    |                                | 2 <sup>1</sup> / <sub>2</sub> | 2 <sup>1</sup> / <sub>2</sub> | 2 <sup>1</sup> / <sub>2</sub> | —                             | 1 <sup>1</sup> / <sub>4</sub>                                 | 1 <sup>1</sup> / <sub>4</sub> , 1 <sup>1</sup> / <sub>2</sub> |
| —                     | OH   | U7021-RL-TG-KK-RGE   | H.O. | #6-350 kcmil     | #6-350 kcmil | HORN    | 4 <sup>1</sup> / <sub>8</sub> | 8  | 15 <sup>1</sup> / <sub>2</sub> | 2 <sup>1</sup> / <sub>2</sub> | 2 <sup>1</sup> / <sub>2</sub> | 2 <sup>1</sup> / <sub>2</sub> | —                             | 1 <sup>1</sup> / <sub>4</sub>                                 | 1 <sup>1</sup> / <sub>4</sub> , 1 <sup>1</sup> / <sub>2</sub> |

**FIFTH TERMINAL:** For field mounted fifth terminal order catalog number **5T8K2** for 100 amp unit. For 200 amp units, order **K5T**.

**CONNECTORS:** Extruded aluminum connectors are tin plated. Units are supplied with duplex neutral.

**BYPASS:** Horn type bypass is provided.

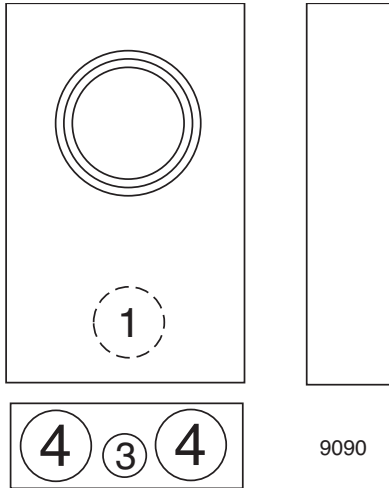
**\*UNDERGROUND SERVICE:** A closing plate must be used when the **U7040-RL-TG-KK-RGE** is designated for underground service. Order closing plate catalog number **A7551** as extra.



Utility requirements for this equipment may vary. Always consult the serving utility for their requirements before ordering or installing equipment in this catalog.

SEE INDEX ON PAGE 32 FOR UTILITY APPROVALS

NATIONAL GRID NY SERVICE AREA APPROVED



U9090-O

200 AMP-4 TERMINAL-RINGLESS

| SERVICE | CATALOG NUMBER | UTILITY NUMBER | HUB   | CONNECTORS<br>CU/AL |              | BY-PASS | DIMENSIONS                    |    |                                | CONCENTRIC K.O.'S             |   |          |                               |   |
|---------|----------------|----------------|-------|---------------------|--------------|---------|-------------------------------|----|--------------------------------|-------------------------------|---|----------|-------------------------------|---|
|         |                |                |       | LINE                | LOAD         |         | D"                            | W" | H"                             | 1                             | 2 | 3        | 4                             | 5 |
| UG      | U9090-O        | M-301          | BLANK | 3/8"-16<br>STUD     | #6-350 kcmil | NONE    | 4 <sup>1</sup> / <sub>2</sub> | 9  | 20 <sup>3</sup> / <sub>4</sub> | 2 <sup>1</sup> / <sub>2</sub> | — | 1/4, 1/2 | 2 <sup>1</sup> / <sub>2</sub> | — |

**FIFTH TERMINAL:** For the field mounted fifth terminal, order as extra catalog number **K5T**.

**\*CONNECTORS:** Line and neutral service is supplied with 3/8"-16 studs with hex head nuts and captive Belleville washers. One hole compression lugs per National Grid NY standards are to be supplied by the contractor. Loadside is supplied with 350 kcmil, lay-in type connectors.

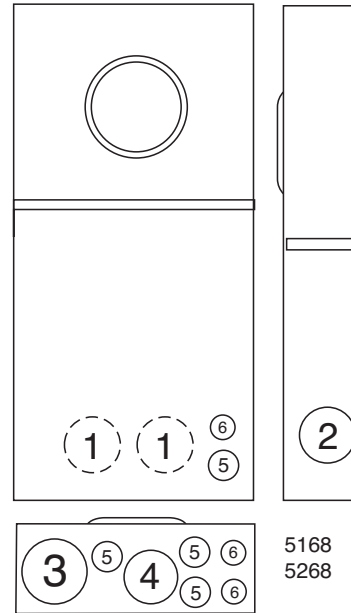
Utility requirements for this equipment may vary. Always consult the serving utility for their requirements before ordering or installing equipment in this catalog.



SEE INDEX ON PAGE 32 FOR UTILITY APPROVALS



U5168-XTL-200



5168  
5268

100, 150 & 200 AMP-4 TERMINAL-METER MAIN-OVERHEAD/UNDERGROUND-22K AIC-1Ø3W

| AMPS | NO. OF CIRCUITS | CATALOG NUMBER        | HUB  | CONNECTORS   | BY-PASS | DIMENSIONS |        |    | CONCENTRIC K.O.'S |   |   |       |               |            |
|------|-----------------|-----------------------|------|--------------|---------|------------|--------|----|-------------------|---|---|-------|---------------|------------|
|      |                 |                       |      |              |         | D"         | W"     | H" | 1                 | 2 | 3 | 4     | 5             | 6          |
| 100  | 8               | U5168-XTL-100-KK      | C.P. | #6-350 kcmil | HORN    | 4 1/2      | 14 1/8 | 32 | 2                 | 2 | 3 | 2 1/2 | 1 1/2, 3/4, 1 | 1 1/2, 3/4 |
| 150  | 8               | U5168-XTL-150-KK      | C.P. | #6-350 kcmil | HORN    | 4 1/2      | 14 1/8 | 32 | 2                 | 2 | 3 | 2 1/2 | 1 1/2, 3/4, 1 | 1 1/2, 3/4 |
| 200  | 8               | U5168-XTL-200-KK      | C.P. | #6-350 kcmil | HORN    | 4 1/2      | 14 1/8 | 32 | 2                 | 2 | 3 | 2 1/2 | 1 1/2, 3/4, 1 | 1 1/2, 3/4 |
| 150  | 20              | U5268-XTL-150-KK      | C.P. | #6-350 kcmil | HORN    | 4 1/2      | 14 1/8 | 32 | 2                 | 2 | 3 | 2 1/2 | 1 1/2, 3/4, 1 | 1 1/2, 3/4 |
| 200  | 20              | U5268-XTL-200-KK      | C.P. | #6-350 kcmil | HORN    | 4 1/2      | 14 1/8 | 32 | 2                 | 2 | 3 | 2 1/2 | 1 1/2, 3/4, 1 | 1 1/2, 3/4 |
| 100  | 8               | U5168-XTL-100-KK-PL** | C.P. | #6-350 kcmil | HORN    | 4 1/2      | 14 1/8 | 32 | 2                 | 2 | 3 | 2 1/2 | 1 1/2, 3/4, 1 | 1 1/2, 3/4 |
| 200  | 8               | U5168-XTL-200-KK-PL** | C.P. | #6-350 kcmil | HORN    | 4 1/2      | 14 1/8 | 32 | 2                 | 2 | 3 | 2 1/2 | 1 1/2, 3/4, 1 | 1 1/2, 3/4 |

**HUB:** Supplied with (2) closing plates packed inside. Order hubs as a separate item. See accessory page for hub options.

**INTERIOR:** U5168 units have 8 circuit interior; U5268 units have 20 circuit interior.

**FIFTH TERMINAL:** Order K5T and field install in the 9 o'clock position only.

**BREAKERS:** Rated 22K AIC with QNR2200H main installed.

**INTERLOCK KIT:** For generator auxiliary circuit breaker interlock, order K5815 for large QN with small frame Q; order K5820 for large frame QN with large frame QN.

**\*SUB-FEED LUGS:** #6-350 kcmil sub-feed lugs provided on 8 circuit interior. Not available on 20 circuit interior.

**\*\*National Grid NY Service Area –** for overhead and underground when underground service is a complete cable-in-conduit system.

PLUG-IN BREAKER COMPATIBILITY CHART

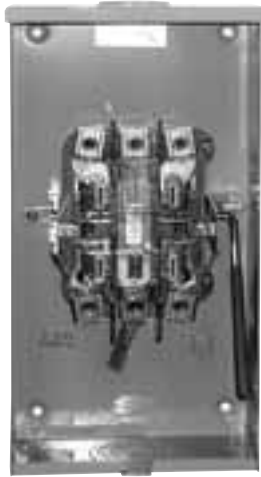
| AMPS    | CUTLER-HAMMER (WESTINGHOUSE) | SIEMENS (ITE) | SIEMENS MURRAY / CROUSE-HINDS | G.E. | SQ-D     |
|---------|------------------------------|---------------|-------------------------------|------|----------|
| 125-200 | HQP / BR / WBJ               | QN            | MD                            | THQ  | —        |
| ≤ 100   | QP / BR / HQP                | QP            | MP                            | THQ  | HOMELINE |

MAIN CIRCUIT BREAKER CHART

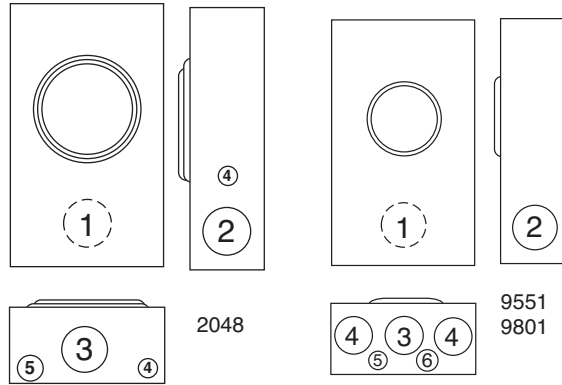
| Amperage    | 100    | 150      | 200      |
|-------------|--------|----------|----------|
| Catalog No. | Q2100H | QN2150RH | QN2200RH |

Utility requirements for this equipment may vary. Always consult the serving utility for their requirements before ordering or installing equipment in this catalog.



**SEE INDEX ON PAGE 32 FOR UTILITY APPROVALS**


U2048-RL



U9551-RXL

200 AMP-4 &amp; 5 TERMINAL-HEAVY DUTY LEVER BYPASS-600 VAC

**200 AMP-4 TERMINAL-RINGLESS-1Ø3W-CENTRAL HUDSON APPROVED**

| CENTRAL HUDSON CODE | SERVICE | CATALOG NUMBER | HUB  | CONNECTORS<br>CU/AL |              | BY-PASS | DIMENSIONS                    |    |    | CONCENTRIC K.O.'S |                               |   |   |                               |   |
|---------------------|---------|----------------|------|---------------------|--------------|---------|-------------------------------|----|----|-------------------|-------------------------------|---|---|-------------------------------|---|
|                     |         |                |      | LINE                | LOAD         |         | D"                            | W" | H" | 1                 | 2                             | 3 | 4 | 5                             | 6   |
| CH-065              | OH/UG   | <b>U9801-R</b> | H.O. | #6-350 kcmil        | #6-350 kcmil | LEVER   | 4 <sup>7</sup> / <sub>8</sub> | 13 | 19 | 3                 | 2 <sup>1</sup> / <sub>2</sub> | 3 | 3 | 1 <sup>1</sup> / <sub>4</sub> | 1 <sup>1</sup> / <sub>4</sub> , 1 <sup>1</sup> / <sub>2</sub> |

**FIFTH TERMINAL:** For field mounted fifth terminal, order as extra **K3866**.

**BYPASS:** Lever supplies clamping action on meter spades and also operates bypass device.

**CONNECTORS:** Units are supplied with extruded aluminum connectors, bonded neutral and a grounding stud.

**200 AMP-5 TERMINAL-RINGLESS-1Ø3W OR 3Ø3W-CENTRAL HUDSON APPROVED**

| CENTRAL HUDSON CODE | SERVICE | CATALOG NUMBER   | HUB  | CONNECTORS<br>CU/AL |              | BY-PASS | DIMENSIONS                    |    |                                | CONCENTRIC K.O.'S |                               |   |                               |   |   |
|---------------------|---------|------------------|------|---------------------|--------------|---------|-------------------------------|----|--------------------------------|-------------------|-------------------------------|---|-------------------------------|---|---|
|                     |         |                  |      | LINE                | LOAD         |         | D"                            | W" | H"                             | 1                 | 2                             | 3 | 4                             | 5   | 6   |
| CH-116              | OH      | <b>U2048-RL</b>  | H.O. | #6-350 kcmil        | #6-350 kcmil | LEVER   | 4 <sup>7</sup> / <sub>8</sub> | 10 | 18 <sup>1</sup> / <sub>2</sub> | 3                 | 2 <sup>1</sup> / <sub>2</sub> | 3 | 3 <sup>3</sup> / <sub>4</sub> | 1 <sup>1</sup> / <sub>4</sub> , 1 <sup>1</sup> / <sub>2</sub> | -   |
| CH-117              | OH/UG   | <b>U9551-RXL</b> | C.P. | #6-350 kcmil        | #6-350 kcmil | LEVER   | 4 <sup>7</sup> / <sub>8</sub> | 13 | 19                             | 3                 | 2 <sup>1</sup> / <sub>2</sub> | 3 | 3                             | 1 <sup>1</sup> / <sub>4</sub>                                 | 1 <sup>1</sup> / <sub>4</sub> , 1 <sup>1</sup> / <sub>2</sub> |

**RGE APPROVED**

| RGE NO. | SERVICE | CATALOG NUMBER  | HUB  | CONNECTORS<br>CU/AL |              | BY-PASS | DIMENSIONS                    |    |    | CONCENTRIC K.O.'S |                               |   |   |                               |   |
|---------|---------|-----------------|------|---------------------|--------------|---------|-------------------------------|----|----|-------------------|-------------------------------|---|---|-------------------------------|---|
|         |         |                 |      | LINE                | LOAD         |         | D"                            | W" | H" | 1                 | 2                             | 3 | 4 | 5                             | 6   |
| R1121   | OH/UG   | <b>U9551-RL</b> | H.O. | #6-350 kcmil        | #6-350 kcmil | LEVER   | 4 <sup>7</sup> / <sub>8</sub> | 13 | 19 | 3                 | 2 <sup>1</sup> / <sub>2</sub> | 3 | 3 | 1 <sup>1</sup> / <sub>4</sub> | 1 <sup>1</sup> / <sub>4</sub> , 1 <sup>1</sup> / <sub>2</sub> |

**HUBS:** For proper hub selection see the hub suffix chart on the accessory page.

**BYPASS:** Lever supplies clamping action on meter spades and also operates bypass device.

**CONNECTORS:** Units supplied with extruded aluminum connectors, a bonded neutral and a grounding stud.

**FIFTH TERMINAL:** Fifth terminal is supplied in the 6 o'clock position. For factory installed fifth terminal in the 9 o'clock position add the suffix **-5T9** to the catalog number. Fifth terminal can be changed in the field from 6 o'clock to 9 o'clock position.

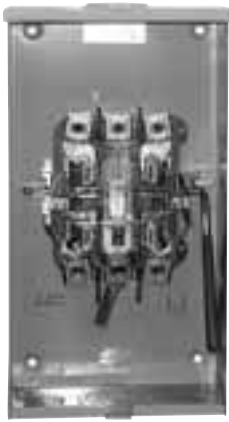
*Utility requirements for this equipment may vary. Always consult the serving utility for their requirements before ordering or installing equipment in this catalog.*





SEE INDEX ON PAGE 32 FOR UTILITY APPROVALS

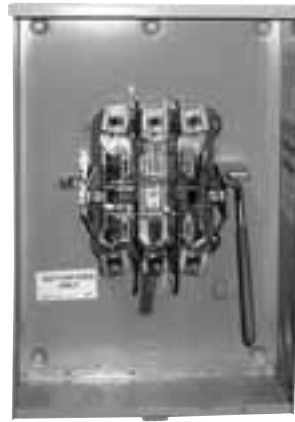
200 AMP-5 & 7 TERMINAL-HEAVY DUTY LEVER BYPASS-600 VAC



U2048-RL



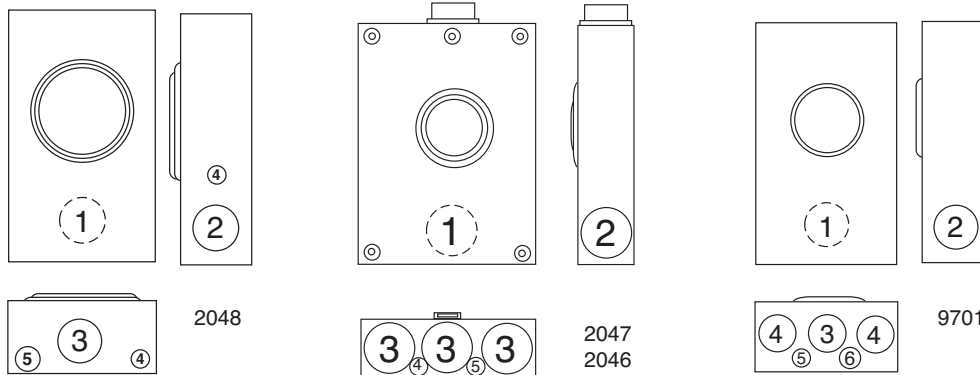
U2046-O



U2047-O



U9701-R



200 AMP-5 & 7 TERMINAL-RINGLESS-LEVER BYPASS

| UTILITY        | TERMS | CATALOG NUMBER | UTILITY NUMBER | SERVICE | HUB   | CONNECTORS<br>CU/AL | BY-PASS | DIMENSIONS                    |    |                                | CONCENTRIC K.O.'S |                               |   |     |          |
|----------------|-------|----------------|----------------|---------|-------|---------------------|---------|-------------------------------|----|--------------------------------|-------------------|-------------------------------|---|-----|----------|
|                |       |                |                |         |       |                     |         | D"                            | W" | H"                             | 1                 | 2                             | 3 | 4   | 5        |
| NATIONAL GRID  | 5     | U2048-RL       | M-089          | OH      | H.O.  | #6-350 kcmil        | LEVER   | 4 <sup>7</sup> / <sub>8</sub> | 10 | 18 <sup>1</sup> / <sub>2</sub> | 3                 | 2 <sup>1</sup> / <sub>2</sub> | 3 | 3/4 | 1/4, 1/2 |
| NATIONAL GRID  | 5     | U2047-O        | M-090          | UG      | BLANK | #6-350 kcmil        | LEVER   | 4 <sup>7</sup> / <sub>8</sub> | 13 | 19                             | 3                 | 2 <sup>1</sup> / <sub>2</sub> | 3 | 1/4 | 1/4, 1/2 |
| NATIONAL GRID  | 7     | U2049-RL       | M-101          | OH      | H.O.  | #6-350 kcmil        | LEVER   | 4 <sup>7</sup> / <sub>8</sub> | 10 | 18 <sup>1</sup> / <sub>2</sub> | 3                 | 2 <sup>1</sup> / <sub>2</sub> | 3 | 3/4 | 1/4, 1/2 |
| NATIONAL GRID  | 7     | U2046-O        | M-094          | UG      | BLANK | #6-350 kcmil        | LEVER   | 4 <sup>7</sup> / <sub>8</sub> | 13 | 19                             | 3                 | 2 <sup>1</sup> / <sub>2</sub> | 3 | 1/4 | 1/4, 1/2 |
| CENTRAL HUDSON | 7     | U9701-R        | CH-118         | OH/UG   | H.O.  | #6-350 kcmil        | LEVER   | 4 <sup>7</sup> / <sub>8</sub> | 13 | 19                             | 3                 | 2 <sup>1</sup> / <sub>2</sub> | 3 | 1/4 | 1/4, 1/2 |

**HUB:** For proper hub selection, see the hub suffix chart on the accessory page.

**LEVER BYPASS:** Lever supplies clamping action on meter spades and also operates bypass device.

**CONNECTORS:** Units supplied with extruded aluminum connectors and bonded triplex ground.

**ISOLATED NEUTRAL:** For field installed isolated neutral, order kit number K1047.

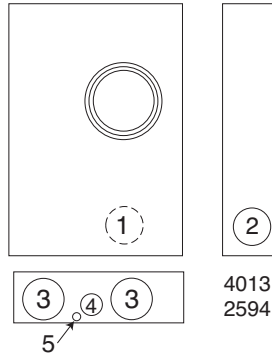
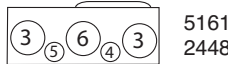
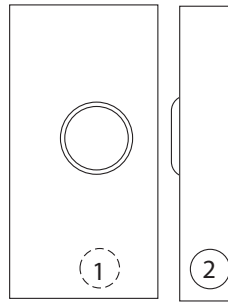


Utility requirements for this equipment may vary. Always consult the serving utility for their requirements before ordering or installing equipment in this catalog.

## SEE INDEX ON PAGE 32 FOR UTILITY APPROVALS



U4013-X


 4013  
2594

 5161  
2448


U2448-X-RGE

320 AMP CONTINUOUS-4 &amp; 7 TERMINAL-HEAVY DUTY LEVER BYPASS-600 VAC

## 320 AMP-4 TERMINAL-SIDE WIREWAY-RINGLESS-OH/UG

| TERMS | CATALOG NUMBER | PHASE | HUB  | CONNECTORS      | FIFTH TERM. KITS | BY-PASS | DIMENSIONS                    |                                |                                | CONCENTRIC K.O.'S |   |   |     |     |   |
|-------|----------------|-------|------|-----------------|------------------|---------|-------------------------------|--------------------------------|--------------------------------|-------------------|---|---|-----|-----|---|
|       |                |       |      | CU/AL           |                  |         | D"                            | W"                             | H"                             | 1                 | 2 | 3 | 4   | 5   | 6 |
| 4     | U5161-X        | 1     | C.P. | 3/8"-16<br>STUD | K3865            | LEVER   | 4 <sup>7</sup> / <sub>8</sub> | 15                             | 31 <sup>1</sup> / <sub>2</sub> | 3                 | 3 | 3 | 1/2 | 1/4 | 3 |
| 4     | U2448-X-RGE    | 1     | C.P. | 3/8"-16<br>STUD | K3865            | LEVER   | 6 <sup>1</sup> / <sub>2</sub> | 17 <sup>3</sup> / <sub>4</sub> | 34 <sup>1</sup> / <sub>8</sub> | 3                 | 3 | 4 | 1   | 1/4 | — |

## 320 AMP-7 TERMINAL-SIDE WIREWAY-RINGLESS-OH/UG

| TERMS | CATALOG NUMBER | PHASE | HUB  | CONNECTORS      | BY-PASS | DIMENSIONS                    |                                |                                | CONCENTRIC K.O.'S |   |   |   |     |   |
|-------|----------------|-------|------|-----------------|---------|-------------------------------|--------------------------------|--------------------------------|-------------------|---|---|---|-----|---|
|       |                |       |      | CU/AL           |         | D"                            | W"                             | H"                             | 1                 | 2 | 3 | 4 | 5   | 6 |
| 7     | U4013-X        | 3Ø4W  | C.P. | 3/8"-16<br>STUD | LEVER   | 6 <sup>1</sup> / <sub>2</sub> | 17 <sup>3</sup> / <sub>4</sub> | 40 <sup>1</sup> / <sub>2</sub> | 4                 | 3 | 4 | 1 | 1/4 | — |
| 7     | U2594-X        | 3Ø4W  | C.P. | 3/8"-16<br>STUD | LEVER   | 6 <sup>1</sup> / <sub>2</sub> | 19                             | 34 <sup>1</sup> / <sub>8</sub> | —                 | 3 | 4 | 1 | 1/4 | — |

**HUBS:** For proper hub selection see the hub suffix chart on the accessory page.

**BYPASS:** The lever supplies clamping action on meter spades and also operates bypass device.

**CONNECTORS:** Stud type units supplied with 3/8"-16 hex head nuts with Belleville washers. For 1Ø connector kits, order as extra: **K1539** (350 kcmil) or **K1540** (600 kcmil). For twin lug connectors order as extra: **K1350** (350 kcmil). For 3Ø connector kits, order as extra: **K3082** (350 kcmil) or **K3441** (600 kcmil). For twin lug connectors, order as extra: **K3441** (#4-600 kcmil or (2) 1/0-250 kcmil). Separate kits are required for both line and load.

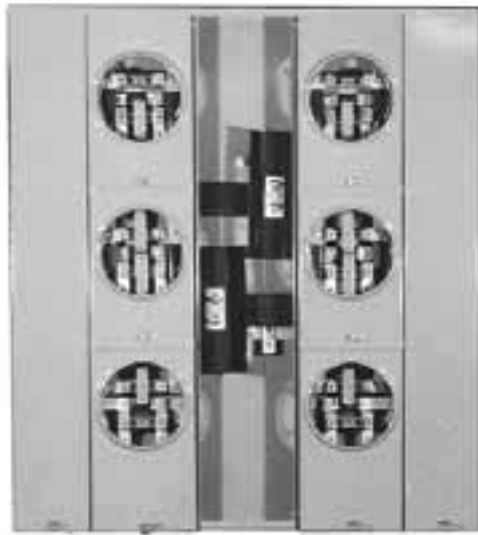
**FIFTH TERMINAL:** **U2448-X-RGE**—for factory installed fifth terminal in the 6 o'clock position add the suffix **-5T6** to the catalog number. For factory installed fifth terminal in the 9 o'clock position at the suffix **-5T9** to the catalog number. Catalog number **K3865** is available for field install.

**NATIONAL GRID NY PART NOS.:** **U5161-X**, **U2448-X-RGE** (M-116), **U4013-X**, **U2594-X** (M-117). One hole compression lugs per National Grid NY standards to be supplied by contractor.

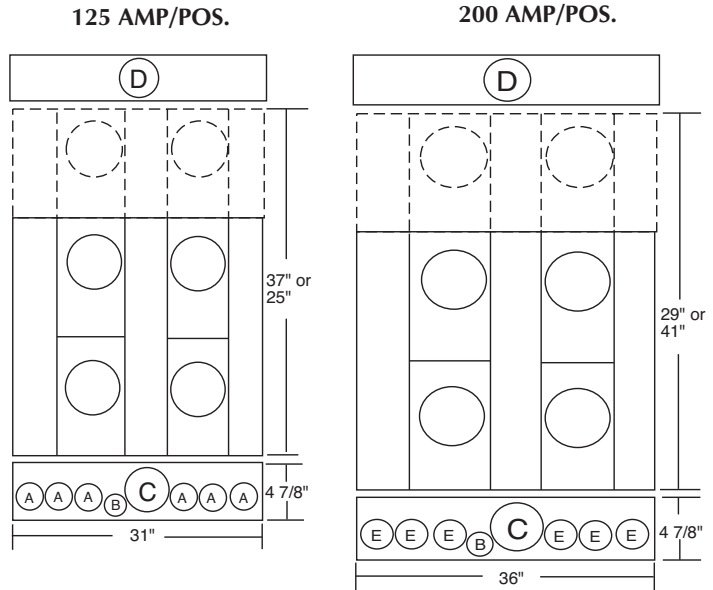
*Utility requirements for this equipment may vary. Always consult the serving utility for their requirements before ordering or installing equipment in this catalog.*



SEE INDEX ON PAGE 32 FOR UTILITY APPROVALS



U2866-X



**125 AMP/POSITION**  
(NATIONAL GRID NY SERVICE AREA ONLY)

| NO. OF POS. | CATALOG NUMBER | MAIN BUS RATING | LINE CONNECTOR SIZE |
|-------------|----------------|-----------------|---------------------|
| 2           | U2852-X        | 200 AMP         | *3/8"-16 STUD       |
| 3           | U2853-X        | 200 AMP         | *3/8"-16 STUD       |
| 4           | U2854-X        | 400 AMP         | *3/8"-16 STUD       |
| 5           | U2855-X        | 400 AMP         | *3/8"-16 STUD       |
| 6           | U2856-X        | 400 AMP         | *3/8"-16 STUD       |

**200 AMP/POSITION**  
(NATIONAL GRID NY SERVICE AREA, RGE APPROVED)

| NO. OF POS. | CATALOG NUMBER | MAIN BUS RATING | LINE CONNECTOR SIZE |
|-------------|----------------|-----------------|---------------------|
| 2           | U2862-X        | 250 AMP         | *3/8"-16 STUD       |
| 3           | U2863-X        | 300 AMP         | *3/8"-16 STUD       |
| 4           | U2864-X        | 400 AMP         | *3/8"-16 STUD       |
| 5           | U2865-X        | 600 AMP         | *3/8"-16 STUD       |
| 6           | U2866-X        | 600 AMP         | *3/8"-16 STUD       |

| FIG. | DIMENSIONS                |
|------|---------------------------|
| A    | 1 1/4" CONCENTRIC K.O.    |
| B    | 1/4, 1/2" CONCENTRIC K.O. |
| C    | 3" CONCENTRIC K.O.        |
| D    | 4" HUB OPENING            |
| E    | 2" CONCENTRIC K.O.        |

**PLUG-IN BREAKER COMPATIBILITY CHART**

| AMPS    | CUTLER-HAMMER       | SIEMENS | SIEMENS/MURRAY | G.E.   | SQ-D     |
|---------|---------------------|---------|----------------|--------|----------|
| 125-200 | BR, BJ              | QN      | MD             | Q LINE | —        |
| ≤ 100   | QUICKLAG P, BR, HQP | QP      | MP             | Q LINE | HOMELINE |

**\*CONNECTORS:** For line wire connector kits, order separately. See page 26.

**FIFTH TERMINALS:** For field mounted fifth terminal order catalog number **K2381**. Order one per meter position.

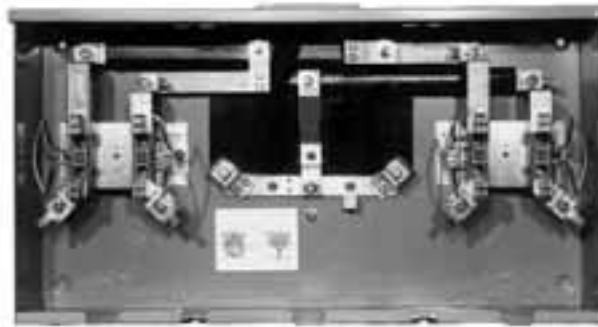
**BREAKERS:** Units have provision for one double pole main per meter position. Breakers not included. Order as extra.



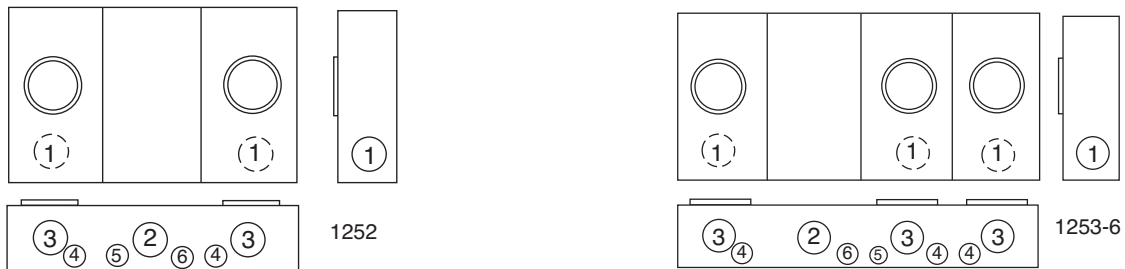
Utility requirements for this equipment may vary. Always consult the serving utility for their requirements before ordering or installing equipment in this catalog.

SEE INDEX ON PAGE 32 FOR UTILITY APPROVALS

CENTRAL HUDSON, NY STATE ELECTRIC & GAS,  
NATIONAL GRID NY SERVICE AREA & RGE APPROVED



U1252-R-KK-RGE



200 AMP / POSITION-4 TERMINAL-RINGLESS-1Ø3W-OH/UG\*

| AMPS | NO. OF POS. | CATALOG NUMBER    | HUB  | CONNECTOR CU/AL |                 | BY-PASS | DIMENSIONS |         |    | CONCENTRIC K.O.'S |   |       |     |     |   |
|------|-------------|-------------------|------|-----------------|-----------------|---------|------------|---------|----|-------------------|---|-------|-----|-----|---|
|      |             |                   |      | LINE            | LOAD            |         | D"         | W"      | H" | 1                 | 2 | 3     | 4   | 5   | 6 |
| 200  | 2           | U1252-R-KK-RGE    | H.O. | 3/8"-16<br>STUD | #6-350<br>kcmil | HORN    | 5 1/8      | 26 1/2  | 14 | 2 1/2             | 3 | 2 1/2 | 1/2 | 1/4 | 1 |
| 200  | 3           | U1253-R-KK-RGE    | H.O. | 3/8"-16<br>STUD | #6-350<br>kcmil | HORN    | 5 1/8      | 34 3/4  | 14 | 2 1/2             | 3 | 2 1/2 | 1/2 | 1/4 | 1 |
| 200  | 4           | U1254-R-KK-EX-RGE | H.O. | 3/8"-16<br>STUD | #6-350<br>kcmil | HORN    | 5 1/8      | 42 7/8  | 16 | 2 1/2             | 3 | 2 1/2 | 1/2 | 1/4 | 1 |
| 200  | 5           | U1255-R-KK-EX-RGE | H.O. | 3/8"-16<br>STUD | #6-350<br>kcmil | HORN    | 5 1/8      | 54 7/8  | 16 | 2 1/2             | 3 | 2 1/2 | 1/2 | 1/4 | 1 |
| 200  | 6           | U1256-R-KK-EX-RGE | H.O. | 3/8"-16<br>STUD | #6-350<br>kcmil | HORN    | 5 1/8      | 63 1/16 | 18 | 2 1/2             | 3 | 2 1/2 | 1/2 | 1/4 | 1 |

**HUB:** For proper hub selection refer to the hub suffix chart on the accessory page. Two hub openings are supplied and the extra opening is closed with a closing plate as standard on the 5 and 6 position units.

**FIFTH TERMINAL:** For factory installed fifth terminal in the 9 o'clock position, add the suffix **-5T**. For field mounted fifth terminal, order catalog number **K5T** (1 kit per meter position).

**CONNECTORS:** Extruded aluminum connectors are tin plated. See page 26 for connectors.

**BUSSING:** Bussing is 5/16" x 1" aluminum on the **U1252-1253**. On the **U1254-6** gangs the bussing is 3/8" x 1" aluminum. Refer to general engineering section of the Standard Catalog for information on ampacity of bussing.

Utility requirements for this equipment may vary. Always consult the serving utility for their requirements before ordering or installing equipment in this catalog.

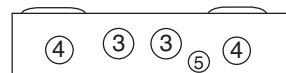
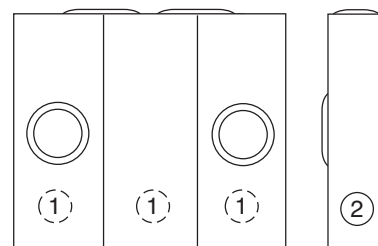


SEE INDEX ON PAGE 32 FOR UTILITY APPROVALS

NATIONAL GRID NY SERVICE AREA APPROVED



U2732-XT



2872-6  
2732-6

CENTER WIREWAY

200 AMP -5 TERMINAL-RINGLESS-1Ø3W-OVERHEAD / UNDERGROUND\*

| AMPS | SERV. | NO. OF POS. | CATALOG NUMBER | HUB     | CONNECTOR CU/AL |              | BY-PASS | DIMENSIONS |                                 |                                | CONCENTRIC K.O.'S             |                               |   |                               |   |
|------|-------|-------------|----------------|---------|-----------------|--------------|---------|------------|---------------------------------|--------------------------------|-------------------------------|-------------------------------|---|-------------------------------|---|
|      |       |             |                |         | LINE            | LOAD         |         | D"         | W"                              | H"                             | 1                             | 2                             | 3 | 4                             | 5   |
| 200  | OH/UG | 2           | U2872-XT       | (2)C.P. | 3/8"-16 STUD    | #6-350 kcmil | LEVER   | 6          | 32 <sup>1</sup> / <sub>8</sub>  | 25 <sup>1</sup> / <sub>4</sub> | 2 <sup>1</sup> / <sub>2</sub> | 2 <sup>1</sup> / <sub>2</sub> | 4 | 2 <sup>1</sup> / <sub>2</sub> | 1 <sup>1</sup> / <sub>4</sub> , 1 <sup>1</sup> / <sub>2</sub> |
| 200  | OH/UG | 3           | U2873-XT       | (2)C.P. | 3/8"-16 STUD    | #6-350 kcmil | LEVER   | 6          | 42 <sup>3</sup> / <sub>16</sub> | 25 <sup>1</sup> / <sub>4</sub> | 2 <sup>1</sup> / <sub>2</sub> | 2 <sup>1</sup> / <sub>2</sub> | 4 | 2 <sup>1</sup> / <sub>2</sub> | 1 <sup>1</sup> / <sub>4</sub> , 1 <sup>1</sup> / <sub>2</sub> |
| 200  | OH/UG | 4           | U2874-XT       | (2)C.P. | 3/8"-16 STUD    | #6-350 kcmil | LEVER   | 6          | 52 <sup>1</sup> / <sub>4</sub>  | 25 <sup>1</sup> / <sub>4</sub> | 2 <sup>1</sup> / <sub>2</sub> | 2 <sup>1</sup> / <sub>2</sub> | 4 | 2 <sup>1</sup> / <sub>2</sub> | 1 <sup>1</sup> / <sub>4</sub> , 1 <sup>1</sup> / <sub>2</sub> |
| 200  | OH/UG | 5           | U2875-XT       | (2)C.P. | 3/8"-16 STUD    | #6-350 kcmil | LEVER   | 6          | 62 <sup>5</sup> / <sub>16</sub> | 25 <sup>1</sup> / <sub>4</sub> | 2 <sup>1</sup> / <sub>2</sub> | 2 <sup>1</sup> / <sub>2</sub> | 4 | 2 <sup>1</sup> / <sub>2</sub> | 1 <sup>1</sup> / <sub>4</sub> , 1 <sup>1</sup> / <sub>2</sub> |
| 200  | OH/UG | 6           | U2876-XT       | (2)C.P. | 3/8"-16 STUD    | #6-350 kcmil | LEVER   | 6          | 72 <sup>3</sup> / <sub>8</sub>  | 31 <sup>1</sup> / <sub>4</sub> | 2 <sup>1</sup> / <sub>2</sub> | 2 <sup>1</sup> / <sub>2</sub> | 4 | 2 <sup>1</sup> / <sub>2</sub> | 1 <sup>1</sup> / <sub>4</sub> , 1 <sup>1</sup> / <sub>2</sub> |

200 AMP -7 TERMINAL-RINGLESS-3Ø4W-OVERHEAD / UNDERGROUND\*

| AMPS | SERV. | NO. OF POS. | CATALOG NUMBER | HUB     | CONNECTOR CU/AL |              | BY-PASS | DIMENSIONS |                                 |                                | CONCENTRIC K.O.'S             |                               |   |                               |   |
|------|-------|-------------|----------------|---------|-----------------|--------------|---------|------------|---------------------------------|--------------------------------|-------------------------------|-------------------------------|---|-------------------------------|---|
|      |       |             |                |         | LINE            | LOAD         |         | D"         | W"                              | H"                             | 1                             | 2                             | 3 | 4                             | 5   |
| 200  | OH/UG | 2           | U2732-XT       | (2)C.P. | 3/8"-16 STUD    | #6-350 kcmil | LEVER   | 6          | 32 <sup>1</sup> / <sub>8</sub>  | 25 <sup>1</sup> / <sub>4</sub> | 2 <sup>1</sup> / <sub>2</sub> | 2 <sup>1</sup> / <sub>2</sub> | 4 | 2 <sup>1</sup> / <sub>2</sub> | 1 <sup>1</sup> / <sub>4</sub> , 1 <sup>1</sup> / <sub>2</sub> |
| 200  | OH/UG | 3           | U2733-XT       | (2)C.P. | 3/8"-16 STUD    | #6-350 kcmil | LEVER   | 6          | 42 <sup>3</sup> / <sub>16</sub> | 25 <sup>1</sup> / <sub>4</sub> | 2 <sup>1</sup> / <sub>2</sub> | 2 <sup>1</sup> / <sub>2</sub> | 4 | 2 <sup>1</sup> / <sub>2</sub> | 1 <sup>1</sup> / <sub>4</sub> , 1 <sup>1</sup> / <sub>2</sub> |
| 200  | OH/UG | 4           | U2734-XT       | (2)C.P. | 3/8"-16 STUD    | #6-350 kcmil | LEVER   | 6          | 52 <sup>1</sup> / <sub>4</sub>  | 25 <sup>1</sup> / <sub>4</sub> | 2 <sup>1</sup> / <sub>2</sub> | 2 <sup>1</sup> / <sub>2</sub> | 4 | 2 <sup>1</sup> / <sub>2</sub> | 1 <sup>1</sup> / <sub>4</sub> , 1 <sup>1</sup> / <sub>2</sub> |
| 200  | OH/UG | 5           | U2735-XT       | (2)C.P. | 3/8"-16 STUD    | #6-350 kcmil | LEVER   | 6          | 62 <sup>5</sup> / <sub>16</sub> | 25 <sup>1</sup> / <sub>4</sub> | 2 <sup>1</sup> / <sub>2</sub> | 2 <sup>1</sup> / <sub>2</sub> | 4 | 2 <sup>1</sup> / <sub>2</sub> | 1 <sup>1</sup> / <sub>4</sub> , 1 <sup>1</sup> / <sub>2</sub> |
| 200  | OH/UG | 6           | U2736-XT       | (2)C.P. | 3/8"-16 STUD    | #6-350 kcmil | LEVER   | 6          | 72 <sup>3</sup> / <sub>8</sub>  | 31 <sup>1</sup> / <sub>4</sub> | 2 <sup>1</sup> / <sub>2</sub> | 2 <sup>1</sup> / <sub>2</sub> | 4 | 2 <sup>1</sup> / <sub>2</sub> | 1 <sup>1</sup> / <sub>4</sub> , 1 <sup>1</sup> / <sub>2</sub> |

**HUBS:** Units supplied with two closing plates. To order hubs as extra refer to the hub suffix chart on the accessory page.

**BYPASS:** Lever supplies clamping action on meter spades and also operates bypass device.

**\*CONNECTOR KITS:** Line wire sections supplied with studs. For connector kits for the **U2872-6** units, order as extra: **K1539** (350 kcmil), **K1350** (twin 350 kcmil), **K1540** (600 kcmil) or **K1541** (twin 600 kcmil). For **U2732-6** units, order **K3082** (350 kcmil), **K3442** (twin 350 kcmil), **K3441** (600 kcmil) or **K3083** (twin 600 kcmil). Line connectors can be reversed to change from "OH" to "UG" service.

**BUSSING:** Bussing is 3/8" x 1" aluminum. Refer to the conduit & ampacity information page for information on ampacity of bussing.

Utility requirements for this equipment may vary. Always consult the serving utility for their requirements before ordering or installing equipment in this catalog.



200 AMP / POSITION-5 & 7 TERMINAL-HORIZONTAL GANGS-HEAVY DUTY LEVER BYPASS-600 VAC

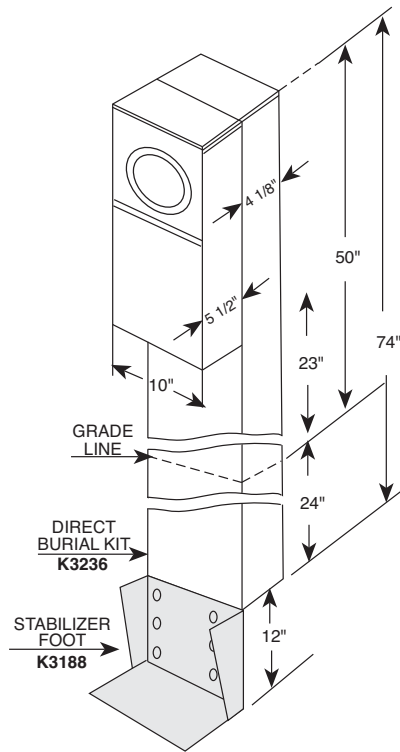


SEE INDEX ON PAGE 32 FOR UTILITY APPROVALS

200 AMP–MOBILE HOME METER PEDESTALS–4 TERMINAL–120 / 240 VAC



U4093N-O



MAIN BREAKERS  
(SERIES WIRED)

| CATALOG NUMBER | AMPS |
|----------------|------|
| UQFP-M-100     | 100  |
| UQFP-M-125     | 125  |
| UQFP-M-150     | 150  |
| UQFP-M-200     | 200  |

BRANCH BREAKERS

| AMPS        | MILBANK | CUTTLER-HAMMER / WESTINGHOUSE | SIEMENS / ITE | MURRAY / CROUSE-HINDS | G.E. | SQ-D      |
|-------------|---------|-------------------------------|---------------|-----------------------|------|-----------|
| 125 OR LESS | Q       | QUICKLAG P BR / HQP           | QP            | MP-T                  | THQ  | HOME LINE |

200 AMP–4 TERMINAL–RINGLESS

| CATALOG NUMBER | METER POSITIONS | MOUNTING TYPE | LINE CONNECTOR CU/AL | CIRCUIT PROV. | LBS. | DESCRIPTION  |
|----------------|-----------------|---------------|----------------------|---------------|------|--|
| U4093N-O       | SINGLE          | POST          | 3/8" - 16 STUD       | 6             | 100# | Provisions for Main with Branch or Parallel Breakers |

**APPLICATION:** Pedestals are suitable for use as mobile home service equipment. These units are in stock, wired as parallel, without breaker. They have provisions for one double, and two single circuit branch breakers in addition to the main. Order breakers separately (see chart above.) Quadplex style breakers may be used in accordance to the NEC. For main style breakers (series wired), order **UQFP-M**, plus kit **K4714** (includes wire assemblies, hardware, instructions and label).

**REQUIRED ACCESSORIES:** Pedestal must be used with Direct Burial Kit **K3236 / K3188** (22 lbs.) which is furnished as part of unit and is included in price. Pad Mount Sleeve **K3237** (6 lbs.) can be ordered as an extra option, and is required if unit is to be pad-mounted.

**22K AIC—CONSULT FACTORY**

**FIFTH TERMINAL:** For field installed fifth terminal, use **K5T** in the 9 o'clock position.

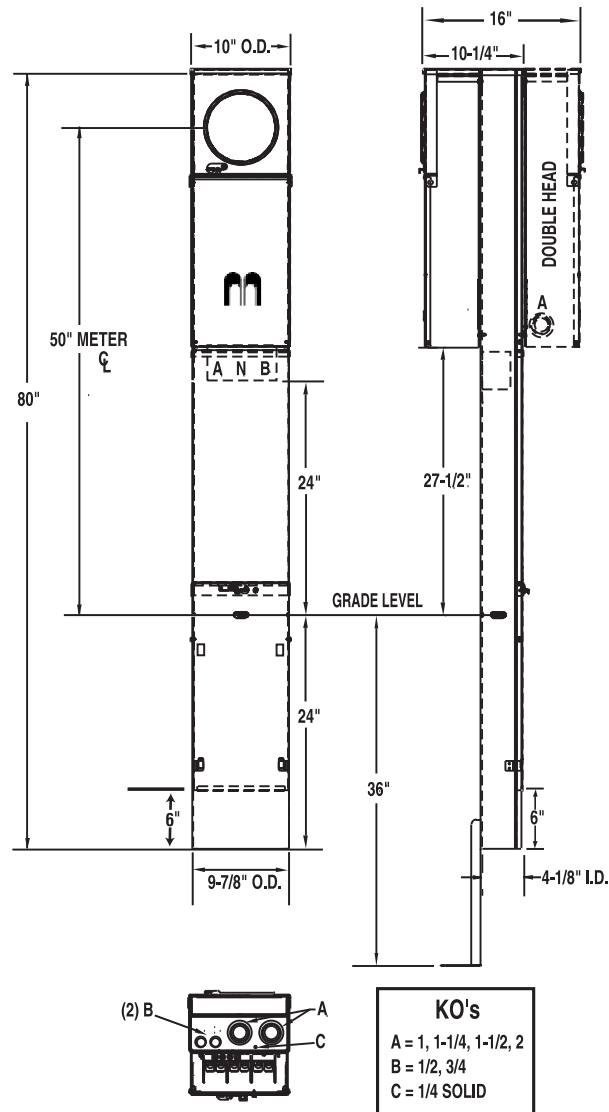
Utility requirements for this equipment may vary. Always consult the serving utility for their requirements before ordering or installing equipment in this catalog.



SEE INDEX ON PAGE 32 FOR UTILITY APPROVALS



**U5136-O-200S**  
with series wired main



**SPECIFICATIONS**

- UL listed File E90945
- 200 amp maximum, 120/240 volt, single phase, three wire meter socket
- Ringless meter socket with horn bypass and stainless steel latch
- Short circuit withstand rating 22K AIC
- Type 3R construction for durable outdoor use, one piece post – lockable and sealable
- Milbank grey polyester powder coat finish
- Wire terminations accept copper or aluminum conductors
- Line & Neutral: (2) #6-350 kcmil per phase
- Line Ground: (4) #14-1/0
- Load (CB): 2/0 to 300 kcmil per pole
- Load Neutral: (1) #6-350 kcmil
- Load Ground: (2) #14-1/0, (4) #14/6
- Milbank plug-in main circuit breaker. Available in 100, 125, 150 & 200 amp. Type UQFPH-M.
- Four-circuit plated copper interior accepts (2) 2-pole or (4) 1-pole standard plug-in type circuit breakers up to a total of 125 amps maximum. Acceptable manufacturers: Cutler-Hammer, GE or Siemens
- Factory or field installable receptacle bridge and receptacle / circuit breaker kits available. See accessories.

*Utility requirements for this equipment may vary. Always consult the serving utility for their requirements before ordering or installing equipment in this catalog.*



**SEE INDEX ON PAGE 32 FOR UTILITY APPROVALS**
**SINGLE PEDESTAL (Direct Burial)**

| CATALOG NUMBER             | MAIN BREAKER                 | MAIN CB | BRANCH    | WEIGHT (lbs) |
|----------------------------|------------------------------|---------|-----------|--------------|
| ◆ U5136-O-100S             | ◆ UQFPH-M-100                | 100     | 4 Circuit | 82           |
| ◆ U5136-O-200S             | ◆ UQFPH-M-200                | 200     | 4 Circuit | 82           |
| ◆ U5136-O (parallel wired) | provision for UQFPH-M Series | —       | 4 Circuit | 80           |
| ◆ U5701-O-5T9              | UQFP-M-(AMP)                 | 100     | 4 Circuit | 89           |

**SINGLE PEDESTAL (Pad Mount)**

|                          |                              |     |           |    |
|--------------------------|------------------------------|-----|-----------|----|
| U5138-O-200S             | UQFPH-M-200                  | 200 | 4 Circuit | 82 |
| U5138-O (parallel wired) | provision for UQFPH-M Series | —   | 4 Circuit | 80 |

**DOUBLE PEDESTAL (Direct Burial)**

|                            |                                  |     |           |     |
|----------------------------|----------------------------------|-----|-----------|-----|
| ◆ U5137-O-100S             | (2) UQFPH-M-100                  | 100 | 4 Circuit | 115 |
| ◆ U5137-O-200S             | (2) UQFPH-M-200                  | 200 | 4 Circuit | 115 |
| ◆ U5137-O (parallel wired) | provision for (2) UQFPH-M Series | —   | 4 Circuit | 111 |
| ◆ U5702-O-5T9              | UQFP-M-(AMP)                     | 100 | 4 Circuit | 94  |

**RECEPTACLE / CIRCUIT BREAKER KITS AND ACCESSORIES (order separately)**

| CATALOG NUMBER      | DESCRIPTION  |
|---------------------|--|
| ◆ K5400-BRIDGE-2POS | Self-grounded two position receptacle bridge with hardware                   |
| ◆ K5415             | Stabilizer Foot with hardware  |
| ◆ K5035             | Pad Mount Kit with hardware for <b>U5242/43</b> pad mount pedestals required |
| ◆ K5T               | 5th Terminal for 208y / 120 volt 3-wire service                              |
| ◆ K5193             | Bus kit to convert series-wired main breaker to parallel                     |
| ◆ K5194             | Wire kit to convert parallel-wired main breaker to series                    |
| ◆ K3450             | Telephone / CATV mounting bracket (mounts left or right)                     |
| ◆ K5039             | Penta bolt utility cover   |
| ◆ Z708080-MO        | 20A duplex GFI receptacle, NEMA type 520                                     |
| ◆ 701776-MO         | 30A receptacle, NEMA type TT30R  |
| ◆ Z708767-MO        | 50A receptacle, NEMA Type 14-50R   |
| ◆ Q120              | 20A 1P circuit breaker   |
| ◆ Q130              | 30A 1P circuit breaker   |
| ◆ Q250              | 50A 2P circuit breaker   |
| ◆ K5935-10GR        | Receptacle plate; 10, 10GR configurations                                    |
| ◆ K5935-11GR        | Receptacle plate; 11GR, 11GB, 55GBGB configurations                          |
| ◆ K5935-36GR        | Receptacle plate; 36GR, 36GBGR configurations                                |
| ◆ K5935-41          | Receptacle plate; 41, 41GB, 41GBGB 55, 55GB, 55GBGR, 55GR configurations     |
| ◆ K5935-54          | Receptacle plate; 54, 30 configurations                                      |
| ◆ K5935-2/1450      | Receptacle plate; 2/1450 configuration                                       |
| ◆ Z819294-SC        | U5136, U5240, U5701 dead front with opening for two receptacles - MH product |
| ◆ 1148210           | U5136, U5240, U5701 dead front with opening for three receptacles            |

- Up to two receptacle / circuit breaker kits can be field-installed in each powerhead. Order mounting bridge and receptacle kits separately from above. For three receptacles or factory-installed kits, contact factory.
- Receptacle / circuit breaker kits include receptacle, circuit breaker, connected wire, cover plate and mounting screws. Other receptacle / circuit breaker kits available.
- **K5415** Stabilizer Foot sold separately. Recommended for double pedestals.
- Pad mount pedestals require **K5035** pad mount kit. Order separately.

◆ Stock item – availability subject to prior sale. Non-stock items – minimum order quantity required.

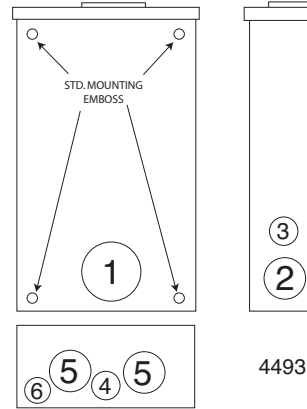
**Utility requirements for this equipment may vary. Always consult the serving utility for their requirements before ordering or installing equipment in this catalog.**



**CENTRAL HUDSON APPROVED ONLY**



U4493-XL



4493

**80 AMP TRANSFORMER RATED-13 TERMINAL-LEVER BYPASS-RINGLESS**

| SERVICE | CATALOG NUMBER | HUB  | CONNECTORS CU | BY-PASS | DIMENSIONS                    |    |                                | CONCENTRIC K.O.'S |                               |                             |                             |                               |                             |
|---------|----------------|------|---------------|---------|-------------------------------|----|--------------------------------|-------------------|-------------------------------|-----------------------------|-----------------------------|-------------------------------|-----------------------------|
|         |                |      |               |         | D"                            | W" | H"                             | 1                 | 2                             | 3                           | 4                           | 5                             | 6                           |
| OH / UG | U4493-XL       | C.P. | #14 - #4 MAX  | LEVER   | 4 <sup>7</sup> / <sub>8</sub> | 10 | 18 <sup>1</sup> / <sub>2</sub> | 3                 | 1 <sup>1</sup> / <sub>2</sub> | <sup>3</sup> / <sub>4</sub> | <sup>3</sup> / <sub>4</sub> | 1 <sup>1</sup> / <sub>2</sub> | <sup>1</sup> / <sub>4</sub> |

**HUBS:** For proper hub selection see the hub suffix chart.

**BY-PASS:** Lever operates current bypass device and also supplies clamping action on current meter spades.

**CONNECTORS:** Units are supplied with mechanical type connectors (#4 max.)



*Utility requirements for this equipment may vary. Always consult the serving utility for their requirements before ordering or installing equipment in this catalog.*

**SEE INDEX ON PAGE 32 FOR UTILITY APPROVALS**  
**CENTRAL HUDSON APPROVED ONLY**



S1855-O

These enclosures have three point locking handles, lift off hinges with stainless steel pins and two doors.

**CURRENT TRANSFORMER ENCLOSURE-NOT UL LISTED**  
**CENTRAL HUDSON APPROVED ONLY**

| AMPERAGE RATING | CATALOG NUMBER | HUB   | GAUGE STEEL | CONNECTORS CU/AL       | DIMENSIONS |    |    |
|-----------------|----------------|-------|-------------|------------------------|------------|----|----|
|                 |                |       |             |                        | D"         | W" | H" |
| 400-800         | <b>S1855-O</b> | BLANK | 12          | #3-750 kcmil PER PHASE | 12         | 36 | 36 |
| 800-1200        | <b>S1856-O</b> | BLANK | 12          | #5-750 kcmil PER PHASE | 12         | 48 | 48 |

CT ENCLOSURES / CT RATED SOCKETS-600 VAC-CT3R-CURRENT TRANSFORMER CABINET / PANEL ENCLOSURE-TYPE 3R

*Utility requirements for this equipment may vary. Always consult the serving utility for their requirements before ordering or installing equipment in this catalog.*



SEE INDEX ON PAGE 32 FOR UTILITY APPROVALS



**Industry Standards**

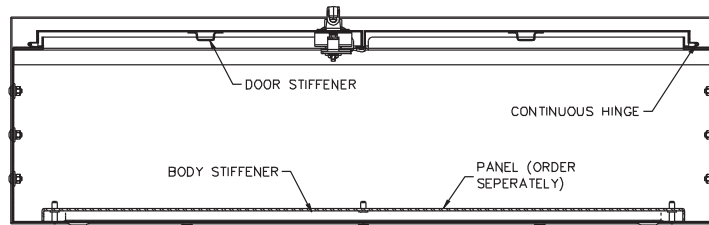
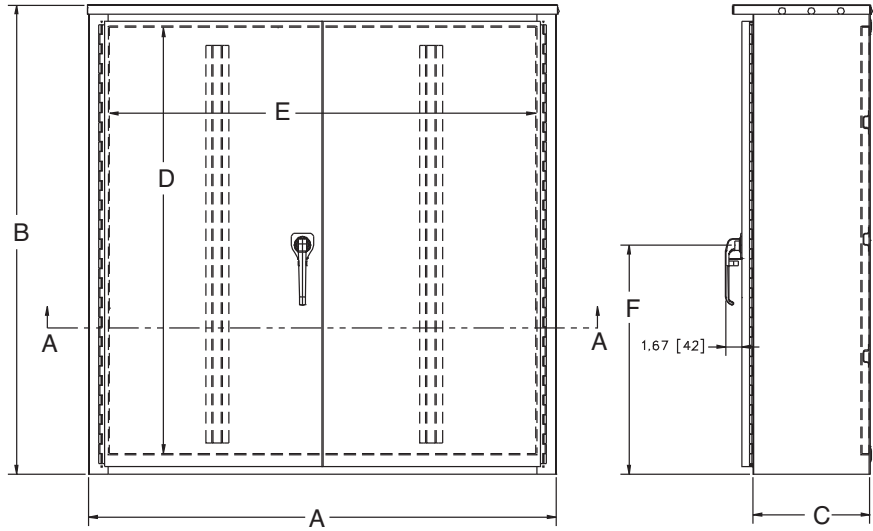
- NEMA—Type 3R
- UL 50—Type 3R
- CUL—Type 3R (Equivalent to CSA)

**Application**

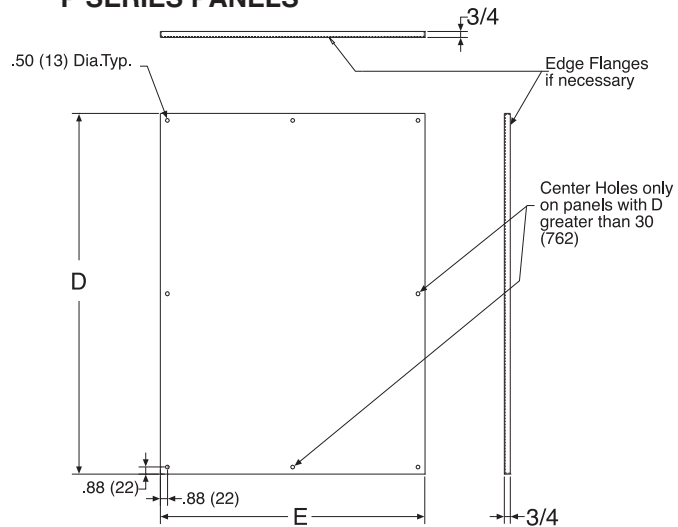
- Designed for use as a current transformer cabinet or panel enclosure
- For outdoor use to provide protection against rain, sleet, and snow, or indoor use to protect against dripping water

**Construction**

- Enclosure and cover manufactured from 16 or 14 gauge G90U galvanized steel, panels are 10 or 12 gauge, painted white
- The doors are overlapping with no center post
- Continuous door hinge with stainless steel hinge pins
- Three point pad-lockable handle
- Panel mounting studs provided for optional back panels
- Drip shield top and seam free sides, front and back



**P SERIES PANELS**



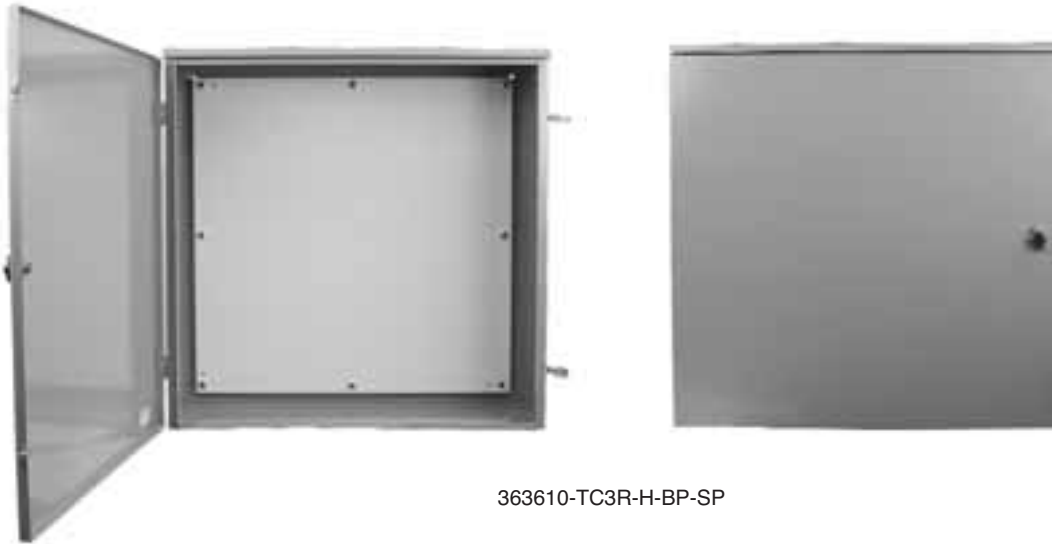
| CATALOG NO. | W X H X D    | P SERIES PANEL CATALOG NO. | PANEL SIZE |
|-------------|--------------|----------------------------|------------|
| 363010-CT3R | 36 x 30 x 10 | A-36P30                    | 36 x 30    |
| 363016-CT3R | 36 x 30 x 16 | A-36P30                    | 36 x 30    |
| 363610-CT3R | 36 x 36 x 10 | A-36P36                    | 36 x 36    |
| 363612-CT3R | 36 x 36 x 12 | A-36P36                    | 36 x 36    |
| 363616-CT3R | 36 x 36 x 16 | A-36P36                    | 36 x 36    |
| 483616-CT3R | 48 x 36 x 16 | A-48P36                    | 48 x 36    |
| 484812-CT3R | 48 x 48 x 12 | A-48P48                    | 48 x 48    |
| 606013-CT3R | 60 x 60 x 13 | A-60P60                    | 60 x 60    |

Utility requirements for this equipment may vary. Always consult the serving utility for their requirements before ordering or installing equipment in this catalog.



**SEE INDEX ON PAGE 32 FOR UTILITY APPROVALS  
NATIONAL GRID APPROVED ONLY**

CURRENT TRANSFORMER ENCLOSURE – NATIONAL GRID APPROVED



**CURRENT TRANSFORMER ENCLOSURE  
NATIONAL GRID APPROVED ONLY**

**120/240 VOLT SINGLE PHASE–208Y/120 VOLT & 480/277 VOLT THREE-PHASE**

| AMPERAGE RATING | CATALOG NUMBER             | HUB   | GAUGE STEEL | STEEL BACK PANEL | DIMENSIONS |    |    |
|-----------------|----------------------------|-------|-------------|------------------|------------|----|----|
|                 |                            |       |             |                  | D"         | W" | H" |
| 400-800         | <b>363610-TC3R-H-BP-SP</b> | BLANK | 16          | INSTALLED        | 10         | 36 | 36 |

*Utility requirements for this equipment may vary. Always consult the serving utility for their requirements before ordering or installing equipment in this catalog.*



### INTERCHANGEABLE UNIT HUBS



**HUB ADAPTER PLATE**  
(Converts 4" opening to 2½")  
**S8324**



**SMALL "RL" OPENING (STANDARD)**

| SUFFIX | SIZE | MILBANK NO. |
|--------|------|-------------|
| WL     | 1"   | A7514       |
| YL     | 1¼"  | A7515       |
| ZL     | 1½"  | A7516       |
| DL     | 2"   | A7517       |
| EL     | 2½"  | A7518       |



**REMOVABLE HUB CLOSING PLATE**

**LARGE "R" OPENING (HEAVY DUTY)**

| SUFFIX | SIZE | MILBANK NO. |
|--------|------|-------------|
| F      | 3"   | A8110       |
| G      | 3½"  | A8111       |
| H      | 4"   | A8112       |

| DESCRIPTION                | SUFFIX | CAT. # |
|----------------------------|--------|--------|
| STANDARD (for -RL opening) | -XL    | A7551  |
| LARGE (for -R opening)     | -X     | A9064  |

### CLOSING COVERS



**METER CLOSING PLATE**  
(Ring type / Ringless)  
**6003** (Gray Plastic)  
**6116** (Clear Plastic)



**METAL CLOSING PLATE**  
(For Ringless sockets)  
**CP-21**

### HUB SUFFIX CHART

|            |  |           |     |                 |
|------------|--|-----------|-----|-----------------|
| <b>O</b>   | Plain Top  | <b>WL</b> | 1"  | For -RL Opening |
| <b>RL</b>  | Small Hub Opening                                | <b>YL</b> | 1¼" | For -RL Opening |
| <b>R</b>   | Large Hub Opening                                | <b>ZL</b> | 1½" | For -RL Opening |
| <b>XL</b>  | Small Closing Plate                              | <b>DL</b> | 2"  | For -RL Opening |
| <b>X</b>   | Large Closing Plate                              | <b>EL</b> | 2½" | For -RL Opening |
| <b>RXL</b> | Large Hub Opening adapted to small Closing Plate | <b>F</b>  | 3"  | For -R Opening  |
|            |  | <b>G</b>  | 3½" | For -R Opening  |
| <b>RRL</b> | Large Hub Opening adapted to small Hub Opening   | <b>H</b>  | 4"  | For -R Opening  |

### CONNECTOR KITS



**SINGLE**

For use with 3/8"-16 stud type units only

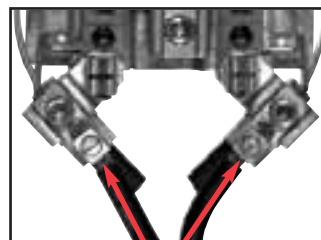
| SUFFIX | CATALOG #     | (3 per set) - 1 Ø                             |
|--------|---------------|---|
| K1     | <b>K1539</b>  | 6-350 kcmil                                   |
| K3     | <b>K1540</b>  | 4-600 kcmil or (2) 1/0-250 kcmil              |
| K3L    | <b>K1540L</b> | 4-600 kcmil or (2) 1/0-250 kcmil Non-rotating |
| SUFFIX | CATALOG #     | (4 per set) - 3 Ø                             |
| K5     | <b>K3082</b>  | 6-350 kcmil                                   |
| K7     | <b>K3441</b>  | 4-600 kcmil or (2) 1/0-250 kcmil              |



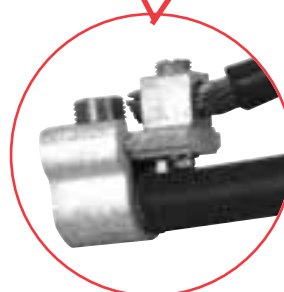
**TWIN**

| SUFFIX | CATALOG #     | (3 per set) - 1 Ø        |
|--------|---------------|--------------------------|
| K2     | <b>K1350</b>  | 6-350 kcmil              |
| K2L    | <b>K1350L</b> | 6-350 kcmil Non-rotating |
| K4     | <b>K1541</b>  | 4-600 kcmil              |
| SUFFIX | CATALOG #     | (4 per set) - 3 Ø        |
| K6     | <b>K3442</b>  | 6-350 kcmil              |
| K8     | <b>K3083</b>  | 4-600 kcmil              |

### TAP CONNECTORS (3 per set)



Replaces the **line or load-side** slide-in nut assembly on Milbank 200 amp sockets. Allows for a 100 amp tap location in addition to the #6-350 kcmil load-side connector. **K5022** Includes Safety Barrier Extensions- for applications over 300 VAC.



- K4977-INT**
- INTERNAL HEX
- K5022-INT**
- INTERNAL HEX

*Utility requirements for this equipment may vary. Always consult the serving utility for their requirements before ordering or installing equipment in this catalog.*

**FIFTH TERMINALS**

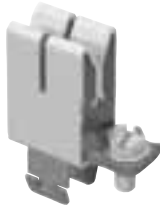
Consult factory for 5th terminal selection



**100-200 amp  
"PLUG-IN" FIFTH TERMINAL  
5T8K2**



**HEAVY DUTY JAW  
CLAMPING  
K3865  
(K3866 w/out neutral wire)**



**200 amp  
FIFTH TERMINAL  
K5T  
(New style block with square hole)**



**FOR CONDO  
METERING BANKS  
(125-200 amp)  
K2381**

**ANTI-INVERSION CLIP**



**K4802**

**BYPASS LINK**



**K8180  
(Bypass links sold in pairs)**

**DISCONNECT SLEEVE \***

M5-144  
(\*NOT TO BE USED WITH LEVER  
BYPASS SOCKETS)



**SEALING RINGS**



**SNAP ACTION  
MR-2**

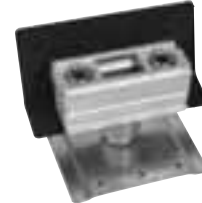


**SCREW TYPE  
(Stainless Steel)  
MR-4**

**STAINLESS STEEL  
MR2-SS**

**ISOLATED NEUTRAL KIT**

**K1047**



**TRIPLEX GROUND**



**K1190  
(For factory installed triplex  
ground add suffix "-TG" to the  
catalog number.)**

**PLUG-IN BREAKER COMPATIBILITY CHART**

| AMPS    | MILBANK | CUTLER-HAMMER<br>(WESTINGHOUSE) | SIEMENS<br>(ITE) | SIEMENS<br>MURRAY /<br>CROUSE-HINDS | G.E. | SQ-D     |
|---------|---------|---------------------------------|------------------|-------------------------------------|------|----------|
| 125-200 | Q / QN  | HQP / BR / WBJ                  | Q / QN           | MD                                  | THQ  | —        |
| ≤ 100   | Q       | QP / BR / HQP                   | QP               | MP                                  | THQ  | HOMELINE |

*Utility requirements for this equipment may vary. Always consult the serving utility for their requirements before ordering or installing equipment in this catalog.*

**MAXIMUM NUMBER OF CONDUCTORS IN CONDUIT ♦**

Table from 2008 NEC Code Reference: Rigid Metal Conduit

| TYPE                     | CONDUCTOR SIZE<br>(AWG / kcmil) | CONDUIT TRADE SIZES (INCHES) |     |    |       |       |     |       |     |       |     |
|--------------------------|---------------------------------|------------------------------|-----|----|-------|-------|-----|-------|-----|-------|-----|
|                          |                                 | 1/2                          | 3/4 | 1  | 1 1/4 | 1 1/2 | 2   | 2 1/2 | 3   | 3 1/2 | 4   |
| THHN,<br>THWN,<br>THWN-2 | 12                              | 9                            | 16  | 26 | 46    | 62    | 102 | 146   | 225 | 301   | 387 |
|                          | 10                              | 6                            | 10  | 17 | 29    | 39    | 64  | 92    | 142 | 189   | 244 |
|                          | 8                               | 3                            | 6   | 9  | 16    | 22    | 37  | 53    | 82  | 109   | 140 |
|                          | 6                               | 2                            | 4   | 7  | 12    | 16    | 27  | 38    | 59  | 79    | 101 |
|                          | 4                               | 1                            | 2   | 4  | 7     | 10    | 16  | 23    | 36  | 48    | 62  |
|                          | 3                               | 1                            | 1   | 3  | 6     | 8     | 14  | 20    | 31  | 41    | 53  |
|                          | 2                               | 1                            | 1   | 3  | 5     | 7     | 11  | 17    | 26  | 34    | 44  |
|                          | 1                               | 1                            | 1   | 1  | 4     | 5     | 8   | 12    | 19  | 25    | 33  |
|                          | 1/0                             | 1                            | 1   | 1  | 3     | 4     | 7   | 10    | 16  | 21    | 27  |
|                          | 2/0                             | 0                            | 1   | 1  | 2     | 3     | 6   | 8     | 13  | 18    | 23  |
| 3/0                      | 0                               | 1                            | 1   | 1  | 3     | 5     | 7   | 11    | 15  | 19    |     |
| 4/0                      | 0                               | 1                            | 1   | 1  | 2     | 4     | 6   | 9     | 12  | 16    |     |
| XHH,<br>XHHW,<br>XHHW-2  | 4                               | 1                            | 2   | 4  | 7     | 10    | 16  | 24    | 37  | 49    | 63  |
|                          | 2                               | 1                            | 1   | 3  | 5     | 7     | 12  | 17    | 26  | 35    | 45  |
|                          | 1/0                             | 1                            | 1   | 1  | 3     | 4     | 7   | 10    | 16  | 22    | 28  |
|                          | 2/0                             | 0                            | 1   | 1  | 2     | 3     | 6   | 9     | 13  | 18    | 23  |
|                          | 4/0                             | 0                            | 1   | 1  | 1     | 2     | 4   | 6     | 9   | 12    | 16  |
|                          | 250                             | 0                            | 0   | 1  | 1     | 1     | 3   | 5     | 7   | 10    | 13  |
|                          | 350                             | 0                            | 0   | 1  | 1     | 1     | 2   | 3     | 6   | 7     | 10  |
| 500                      | 0                               | 0                            | 0   | 1  | 1     | 1     | 2   | 4     | 5   | 7     |     |
| 750                      | 0                               | 0                            | 0   | 0  | 1     | 1     | 1   | 3     | 4   | 5     |     |

♦ This table is for concentric stranded conductors only. For cables with compact conductors refer to NEC. Refer to latest NEC Code or Local Codes for updated requirements.

**\* ALLOWABLE AMPACITIES OF INSULATED COPPER & \*\* ALUMINUM CONDUCTORS (3W IN CONDUIT) 75°C (167°F)**

| *CU |     | AL or **Cu-Clad AL |     |
|-----|-----|--------------------|-----|
| A   | B   | A                  | C   |
| 18  | -   | -                  | -   |
| 16  | -   | -                  | -   |
| 14  | 20† | -                  | -   |
| 12  | 25† | 12                 | 20† |
| 10  | 35† | 10                 | 30† |
| 8   | 50  | 8                  | 40  |
| 6   | 65  | 6                  | 50  |
| 4   | 85  | 4                  | 65  |
| 3   | 100 | 3                  | 75  |
| 2   | 115 | 2                  | 90  |
| 1   | 130 | 1                  | 100 |
| 1/0 | 150 | 1/0                | 120 |
| 2/0 | 175 | 2/0                | 135 |
| 3/0 | 200 | 3/0                | 155 |
| 4/0 | 230 | 4/0                | 180 |
| 250 | 255 | 250                | 205 |
| 300 | 285 | 300                | 230 |
| 350 | 310 | 350                | 250 |
| 400 | 335 | 400                | 270 |
| 500 | 380 | 500                | 310 |
| 600 | 420 | 600                | 340 |
| 700 | 460 | 700                | 375 |
| 750 | 475 | 750                | 385 |

**A** = Size: AWG/MCM  
**\*B** = Ampere Rating for Insulation Types: **FEPW, RH, RHW, THW, THWN, XHHW, USE, 2W.**  
**\*\*C** = Ampere Rating for Insulation Types: **RH, RHW, THW, THWN, XHHW, USE**  
 (Per NEC table 310-16)

**AMPACITY CORRECTION FACTORS**

| AMBIENT TEMP. C° | CORRECTION FACTOR | AMBIENT TEMP. F° |
|------------------|-------------------|------------------|
| 21 - 25          | 1.05              | 70 - 77          |
| 26 - 30          | 1.00              | 78 - 86          |
| 31 - 35          | .94               | 87 - 95          |
| 36 - 40          | .88               | 96 - 104         |
| 41 - 45          | .82               | 105 - 113        |
| 46 - 50          | .75               | 114 - 122        |
| 51 - 55          | .67               | 123 - 131        |
| 56 - 60          | .58               | 132 - 140        |
| 61 - 65          | .33               | 141 - 158        |

Overall ampere ratings of U/L listed Milbank multiple position meter sockets are based on **2008 N.E.C. Handbook Article 220-84** and **ANSI / UL-414** (except where restricted by line connector size.) These requirements provide for a diversity factor / demand factor being utilized in determining the overall (main bus / lug) rating of a gang socket. All Milbank U/L listed gang sockets meet or exceed these diversity factor/demand factor requirements. Standard overall ampacity ratings for U/L listed and non U/L listed gang sockets are as shown in the chart below. Ampere ratings of meter sockets are based on the meter socket being wired with 75° C insulated wire conductor, sized in accordance with **Table 310-16** of the **National Electric Code**.

**GANG SOCKET OVERALL AMPACITIES**

| NO. OF METER POSITIONS | 100A / POS. AMPACITY | 125A / POS. AMPACITY | 150A / POS. AMPACITY | 200A / POS. AMPACITY |
|------------------------|----------------------|----------------------|----------------------|----------------------|
| 2                      | 200A                 | 200A                 | 200A                 | 400A                 |
| 3                      | 200A                 | 225A                 | 225A                 | 270A                 |
| 4                      | 200A                 | 250A                 | 270A                 | 360A                 |
| 5                      | 225A                 | 285A                 | 338A                 | 450A                 |
| 6                      | 270A                 | 330A                 | 396A                 | 528A                 |

† Unless otherwise permitted elsewhere in the Code, the overcurrent protection for conductor types marked with an obelisk (†) shall not exceed 15 amps for 14 AWG, 20 amps for 12 AWG, and 30 amps for 10 AWG copper; or 15 amps for 12 AWG and 25 amps for 10 AWG aluminum and copper-clad aluminum after any correction factors for ambient temperature and number of conductors have been applied.

## IMPORTANT NOTE

In addition to national and local electrical codes, many utilities have specific requirements for metering equipment. Always consult the serving utility for their specifications and requirements prior to ordering or installing Milbank meter mounting equipment.

## BEFORE ENERGIZING

- A. Give equipment a thorough visual examination to determine that:
  - 1) No shipping or installation damage exists.
  - 2) Proper clearances have been maintained.
  - 3) All connections have been made.
  - 4) Equipment is clean and dry.
- B. Make a thorough examination to:
  - 1) Verify tightness of all bolted connections (see table below).
  - 2) Manually operate all circuit breakers, switches, relays, etc.
  - 3) Check rigidity of all mountings, bus bars and components.
  - 4) Use test equipment to check continuity of circuitry and integrity of insulation.
- C. All switches and circuit breakers should be in the “off” position.
- D. Verify that manual meter bypass (if applicable) is in non-bypass position.
- E. Install cover and/or close doors.
- F. If installation is not being energized at this time, follow “after-energizing” steps listed below. These steps will secure the installation in case of accidental energization.

## WHEN ENERGIZING

- A. Use caution and follow established safety procedures:
  - 1) Wear safety apparel.
  - 2) Use safety equipment.
  - 3) Take action to prevent injury to yourself and others in the event of failure of the installation.
  - 4) Take action to prevent/decrease damage to property in the event of failure of the installation.
  - 5) If you are unsure how to safely energize the installation, get someone who is knowledgeable to do it.

## AFTER ENERGIZING

- A. Secure the installation:
  - 1) To prevent accidental contact with energized parts, cover all openings with approved filler devices.
  - 2) To prevent unauthorized access, secure all covers and/or doors with approved security devices.
  - 3) Attach/post information to advise others of potential hazards associated with the installation.

### RECOMMENDED TORQUE FOR GENERAL APPLICATIONS\*

| NOMINAL SIZE | JOINT DESCRIPTION |   | HEAD TYPE | TORQUE ( INCH LBS. ) |
|--------------|-------------------|---|-----------|----------------------|
|              | SCREW             | NUT                                       |           |                      |
| 10           | BRASS             | Brass Nut or Extruded Hole                | ALL       | 20-25 in. lbs.       |
| 10           | STEEL             | CU or AL Busbar $\leq 1/8"$               | ALL       | 25-30 in. lbs.       |
| 10           | STEEL             | Steel Nut or EH; CU or AL Busbar $> 1/8"$ | ALL       | 30-35 in. lbs.       |
| 12           | STEEL             | Aluminum Extruded Hole                    | ALL       | 30-35 in. lbs.       |
| 12           | STEEL             | Steel Nut or Extruded Hole                | ALL       | 40-50 in. lbs.       |
| 1/4          | STEEL             | Aluminum Extruded Hole                    | ALL       | 40-50 in. lbs.       |
| 1/4          | STEEL             | Steel Nut or EH; CU or AL Busbar          | ALL       | 50-60 in. lbs.       |
| 5/16         | STEEL             | Aluminum Extruded Hole                    | HEX       | 60-70 in. lbs.       |
| 5/16         | STEEL             | Steel Nut or EH; CU or AL Busbar          | HEX       | 100-150 in. lbs.     |
| 3/8          | STEEL             | Steel Nut                                 | HEX       | 150-200 in. lbs.     |
| 1/2          | STEEL             | Steel Nut                                 | HEX       | 200-250 in. lbs.     |

\*Interior labels typically indicate the required torque for wire connectors and studs, and should be referenced first.

**EH:** Extruded Hole

**CU:** Copper

**AL:** Aluminum



## MATERIALS

### STEEL QUALITY

The meter equipment listed in this catalog is made of galvanized steel (AISI\* G90) to afford the best possible weather proofing. \*American Iron and Steel Institute.

### STEEL SHEET

16 gauge, galvanized, sheet: 0.90 oz./sq.ft. class zinc-coated.  
(AISI G90)  
14 gauge, galvanized, sheet: 0.90 oz./sq.ft. class zinc-coated.

### ALUMINUM EXTRUSION

Wire-Terminals: Alloy; 6061-T6, Tin-plated for CU/AL wire.  
Bus Bar: Alloy; 6101-o & 6063-O

### ALUMINUM SHEET

3000 series aluminum sheet, H14, or 5052 series aluminum sheet, H32. Where applicable thicknesses range from .064 — .125

### COPPER SHEET & BUS

Electrolytic copper with tin plating in most applications.

### INSULATING MATERIALS

- In most units, support bases for current-carrying components are molded from fiberglass reinforced high-strength, track resistant, thermoset polyester molding compounds.
- Clear or black safety shields and polarity barriers are molded from high-strength, track resistant, polycarbonate molding compounds.
- Various sheet insulating materials, as appropriate for the application are utilized in the fabrication of flat, formed and punched component parts and barriers.

## FINISH

### PROCESS

Light gray "state of the art" electrostatically applied powder paint offers a durable, non-fading finish. For further information concerning the chemical analysis of the weather resistant finish, please contact the factory.

### METAL FASTENERS

Zinc-coated with a chromate dip.

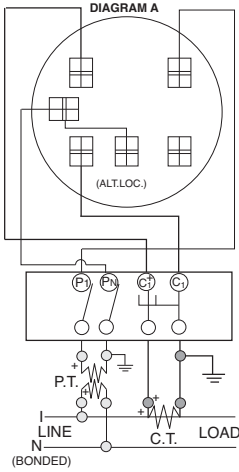
## RATING

### NEMA RATING

All Milbank meter sockets, CT cans and meter socket / breaker units have a type 3R rating.

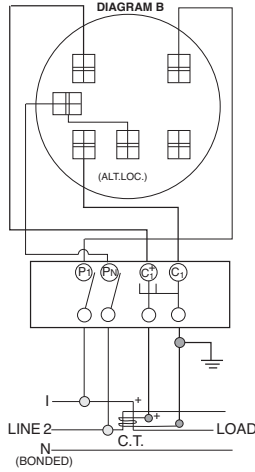
**DIAGRAM A**

1 $\emptyset$ 2W with 1 P.T. & 1 C.T.  
Single Stator Meter(2W1 $\emptyset$ ) - Form 3S  
5T Socket, Test Switch #TS04-0101



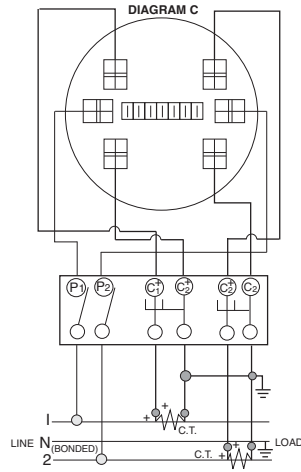
**DIAGRAM B**

1 $\emptyset$ 3W with 1 C.T.  
Single Stator Meter(2W1 $\emptyset$ ) - Form 3S  
5T Socket, Test Switch #TS04-0101



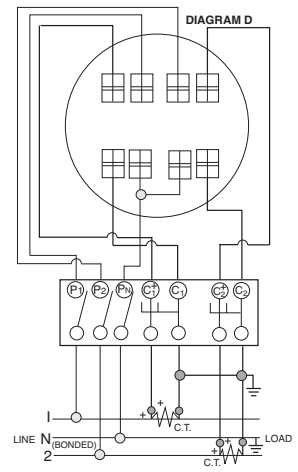
**DIAGRAM C**

1 $\emptyset$ 3W with 2 C.T.'s  
Single Stator Meter(3W1 $\emptyset$ ) - Form 4S  
6T Socket, Test Switch #TS07-0105



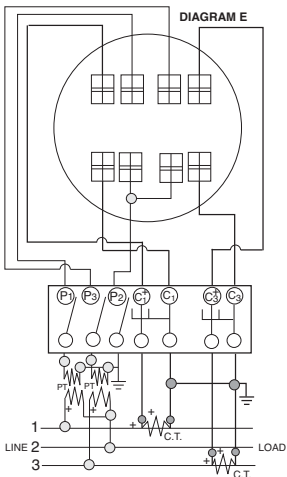
**DIAGRAM D**

1 $\emptyset$ 3W or 3W Network with 2 C.T.'s  
2 Stator Meter - Form 5S  
8T Socket, Test Switch #TS07-0105



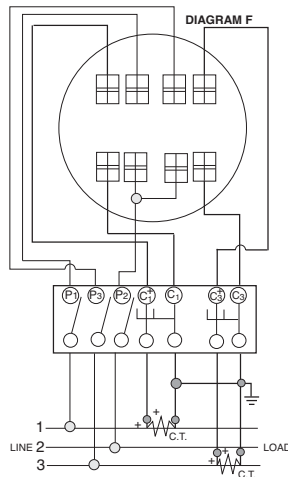
**DIAGRAM E**

3 $\emptyset$ 3W "A" with 2 P.T.'s & 2 C.T.'s  
2 Stator Meter - Form 5S  
8T Socket, Test Switch #TS07-0105



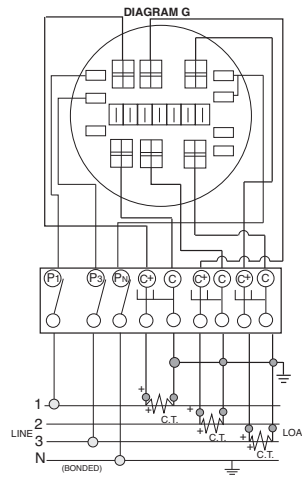
**DIAGRAM F**

3 $\emptyset$ 3W "A" with 2 C.T.'s  
2 Stator Meter - Form 5S  
8T Socket, Test Switch #TS07-0105



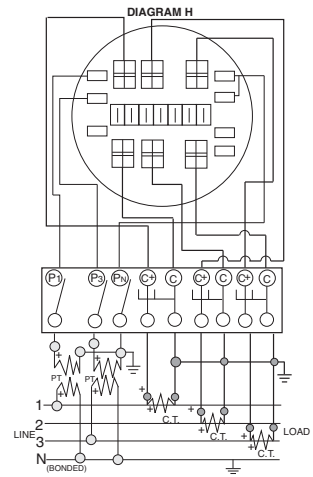
**DIAGRAM G**

3 $\emptyset$ 4W "Y" with 3 C.T.'s  
2 1/2 Stator Meter - Form 6S  
13T Socket, Test Switch #TS10-0109



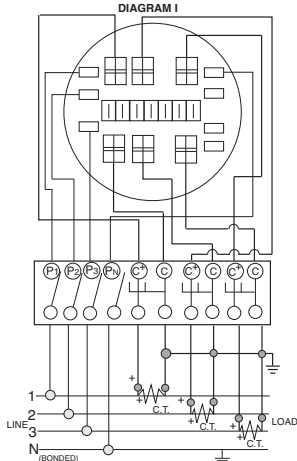
**DIAGRAM H**

3 $\emptyset$ 4W "Y" with 2 P.T.'s & 3 C.T.'s  
2 1/2 Stator Meter - Form 6S  
13T Socket, Test Switch #TS10-0109



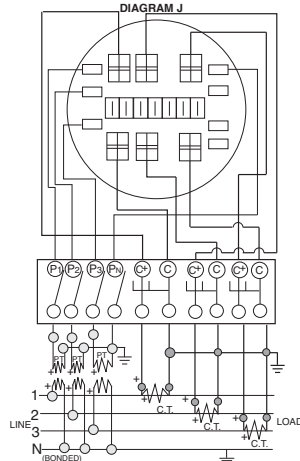
**DIAGRAM I**

3 $\emptyset$ 4W "Y" or "A" with 3 C.T.'s  
"Y" 3 Stator Meter - Form 9S  
"A" 2 Stator Meter - Form 8S  
13T Socket, Test Switch #TS10-0109



**DIAGRAM J**

3 $\emptyset$ 4W "Y" with 3 P.T.'s & 3 C.T.'s  
3 Stator Meter - Form 9S  
13T Socket, Test Switch #TS10-0109



**PREWIRING:** If standard factory prewiring is required, refer to wiring diagrams on this page. Determine appropriate diagram and send a copy with order. If custom factory prewiring is required, specify on order. Be sure to include meter socket catalog number, test switch make and catalog number, meter form number and provide a copy of your wiring diagram.

| CAT. NO              | C.H. | NYS EG | Nat'l. Grid NY | RGE | PG#    | CAT. NO             | C.H. | NYS EG | Nat'l. Grid NY | RGE | PG# |
|----------------------|------|--------|----------------|-----|--------|---------------------|------|--------|----------------|-----|-----|
| U4175-RL-BLG         |      |        | •              |     | 9      | U2863-X             |      |        | •              | •   | 16  |
| U7021-RL-TG-KK-RGE   |      | •      | •              | •   | 10     | U2864-X             |      |        | •              | •   | 16  |
| U7040-RL-TG-KK-RGE   | •    | •      |                | •   | 10     | U2865-X             |      |        | •              | •   | 16  |
| U7487-RL-TG-KK       | •    | •      |                |     | 10     | U2866-X             |      |        | •              | •   | 16  |
| U9090-O              |      |        | •              |     | 11     | U1252-R-KK-RGE      | •    | •      | •              | •   | 17  |
| U5168-XTL-100-KK-PL* | •    | •      | •              | •   | 12     | U1253-R-KK-RGE      | •    | •      | •              | •   | 17  |
| U5168-XTL-200-KK-PL* | •    | •      | •              | •   | 12     | U1254-R-KK-EX-RGE   | •    | •      | •              | •   | 17  |
| U9551-RXL            | •    |        |                |     | 13     | U1255-R-KK-EX-RGE   | •    | •      | •              | •   | 17  |
| U9801-R              | •    |        |                |     | 13     | U1256-R-KK-EX-RGE   | •    | •      | •              | •   | 17  |
| U9551-RL             |      |        |                | •   | 13     | U2732-XT            |      |        | •              |     | 18  |
| U2046-O              |      |        | •              |     | 14     | U2733-XT            |      |        | •              |     | 18  |
| U2047-O              |      |        | •              |     | 14     | U2734-XT            |      |        | •              |     | 18  |
| U2048-RL             | •    |        |                |     | 13, 14 | U2735-XT            |      |        | •              |     | 18  |
| U2049-RL             |      |        | •              |     | 14     | U2736-XT            |      |        | •              |     | 18  |
| U9701-R              | •    |        |                |     | 14     | U2872-XT            |      |        | •              |     | 18  |
| U2448-X-RGE          | •    |        | •              | •   | 15     | U2873-XT            |      |        | •              |     | 18  |
| U2594-X              | •    |        | •              | •   | 15     | U2874-XT            |      |        | •              |     | 18  |
| U4013-X              |      |        | •              | •   | 15     | U2875-XT            |      |        | •              |     | 18  |
| U5161-X              |      |        | •              | •   | 15     | U2876-XT            |      |        | •              |     | 18  |
| U2852-X              |      |        | •              |     | 16     | U4093N-O            |      |        | •              | •   | 19  |
| U2853-X              |      |        | •              |     | 16     | U5136-O             |      |        | •              |     | 20  |
| U2854-X              |      |        | •              |     | 16     | U4493-XL            | •    |        |                |     | 22  |
| U2855-X              |      |        | •              |     | 16     | S1855-O             | •    |        |                |     | 23  |
| U2856-X              |      |        | •              |     | 16     | S1856-O             | •    |        |                |     | 23  |
| U2862-X              |      |        | •              | •   | 16     | 363610-TC3R-H-BP-SP |      |        | •              |     | 25  |

| Cat. No.            | Pg. No. | Cat. No.          | Pg. No. | Cat. No.            | Pg. No. |
|---------------------|---------|-------------------|---------|---------------------|---------|
| 363010-CT3R         | 24      | K3082             | 26      | U2856-X             | 16      |
| 363010-TC3R-H-BP-SP | 25      | K3083             | 26      | U2864-X             | 16      |
| 363016-CT3R         | 24      | K3441             | 26      | U2865-X             | 16      |
| 363610-CT3R         | 24      | K3442             | 26      | U2866-X             | 16      |
| 363612-CT3R         | 24      | K3865             | 8, 27   | U2872-XT            | 18      |
| 363616-CT3R         | 24      | K3866             | 27      | U2873-XT            | 18      |
| 483616-CT3R         | 24      | K4802             | 27      | U2874-XT            | 18      |
| 484812-CT3R         | 24      | K4977-INT         | 26      | U2875-XT            | 18      |
| 5T8K2               | 27      | K5022-INT         | 26      | U2876-XT            | 18      |
| 6003                | 26      | K5035             | 21      | U3802               | 5       |
| 606013-CT3R         | 24      | K5193             | 21      | U3832               | 5       |
| 6116                | 26      | K5400-1450        | 21      | U3860               | 5       |
| A-36P30             | 24      | K5400-520         | 21      | U3822-20GWR         | 6       |
| A-36P36             | 24      | K5400-520GR       | 21      | U4013-X             | 15      |
| A-48P36             | 24      | K5400-BRIDGE-1POS | 21      | U4093N-O            | 19      |
| A-48P48             | 24      | K5400-BRIDGE-2POS | 21      | U4175-RL-BLG        | 9       |
| A-60P69             | 24      | K5400-TT30        | 21      | U4493-XL            | 22      |
| A7514               | 26      | K5415             | 21      | U4881-O             | 6       |
| A7515               | 26      | K5T               | 27      | U4881-O-50GB        | 6       |
| A7516               | 26      | K8180             | 27      | U4881-O-60GB        | 6       |
| A7517               | 26      | M5-144            | 27      | U5136-O-100S        | 20, 21  |
| A7518               | 26      | MCP               | 26      | U5136-O-200S        | 20, 21  |
| A7551               | 26      | MR-2              | 27      | U5137-O-100S        | 20, 21  |
| A8110               | 26      | MR-2SS            | 27      | U5137-O-200S        | 20, 21  |
| A8111               | 26      | MR-4              | 27      | U5161-X             | 15      |
| A8112               | 26      | S1855-O           | 23      | U5168-XTL-100-KK    | 12      |
| A9064               | 26      | S1856-O           | 23      | U5168-XTL-150-KK    | 12      |
| CP-21               | 26      | U1252-R-KK-RGE    | 17      | U5168-XTL-200-KK    | 12      |
| CP-ABK5/8           | 8       | U1253-R-KK-RGE    | 17      | U5168-XTL-100-KK-PL | 12      |
| CP-TC7D             | 8       | U1254-R-KK-EX-RGE | 17      | U5168-XTL-200-KK-PL | 12      |
| CP-TC24H            | 8       | U1255-R-KK-EX-RGE | 17      | U5268-XTL-150-KK    | 12      |
| CP-TCWIRE           | 8       | U1256-R-KK-EX-RGE | 17      | U5268-XTL-200-KK    | 12      |
| CP-16PDMNT-CALT     | 8       | U2046-O           | 14      | U7021-RL-TG-KK-RGE  | 10      |
| CP-24PDMNT-CALT     | 8       | U2047-O           | 14      | U7040-RL-TG-KK-RGE  | 10      |
| CP-PE-HOA-3POS      | 8       | U2048-RL          | 13, 14  | U7487-RL-TG-KK      | 10      |
| K1047               | 27      | U2049-RL          | 14      | U9090-O             | 11      |
| K1190               | 27      | U2448-X-RGE       | 15      | U9551-RL            | 13      |
| K1350               | 26      | U2594-X           | 15      | U9551-RXL           | 13      |
| K1350L              | 26      | U2732-XT          | 18      | U9701-R             | 14      |
| K1539               | 26      | U2733-XT          | 18      | U9801-R             | 13      |
| K1540               | 26      | U2734-XT          | 18      |                     |         |
| K1540L              | 26      | U2735-XT          | 18      |                     |         |
| K1541               | 26      | U2736-XT          | 18      |                     |         |
| K2381               | 27      | U2855-X           | 16      |                     |         |

\* Approved for National Grid NY Service area – for overhead and underground when underground service is a complete cable-in-conduit system.

**Other quality products available from Milbank**

**Commercial Pedestals**

- Attractive
- Easy to install
- Secure
- Cost effective




**Un-Strut Your Stuff...**

816.483.5314 phone  
816.483.6357 fax  
www.milbankmfg.com  
ComPed 2/09 (7.5K)

**MILBANK**  
USA

**Milbank® Commercial and Industrial Products**



**MILBANK**  
USA

**Recreational Vehicle Park Electrical Products & Accessories**  
Voyager Series  
Millennium Series



**MILBANK**  
USA

*In addition to your local utility's meter mounting equipment, Milbank also manufactures supporting products, such as...*

- Air Conditioner Disconnects**
- Hot Tub Disconnects**
- RV/Mobile Home Power Outlets**
- Terminal Boxes**
- Temporary Power Outlets**
- Commercial Pedestals**
- Commercial Enclosures**
- CT Enclosures**
- Circuit Breakers**
- Enclosed Circuit Breakers**
- Safety Switches**
- Test Switches**

*Contact your local distributor or go to [www.milbankmfg.com](http://www.milbankmfg.com) to find additional product literature.*



### Commercial Pedestal Worksheet

Phone (816)483-5314 • Fax (816)483-6357

Please answer all of the questions as best as you can. Additional comments as to application and future requirements will help Milbank will determine the best product for your job.

Distributor: \_\_\_\_\_ Phone: \_\_\_\_\_ Fax: \_\_\_\_\_

Contact Name: \_\_\_\_\_ Application: \_\_\_\_\_

Milbank Representative: \_\_\_\_\_ Salesmen: \_\_\_\_\_

Job Name & Location: \_\_\_\_\_

Agency Specifications: (DOT-City-Other) \_\_\_\_\_

Unit Amperage: \_\_\_\_\_ Voltage: \_\_\_\_\_ Phase: \_\_\_\_\_ Wire: \_\_\_\_\_

Meter socket (200 Amp) RING-TYPE RINGLESS Fifth Terminal? NO YES (at \_\_\_\_\_ o'clock)

Meter socket (200 Amp) RING-TYPE RINGLESS Fifth Terminal? NO YES (at \_\_\_\_\_ o'clock)

Main breaker requirements: Amp: \_\_\_\_\_ Poles: \_\_\_\_\_ KAIC: \_\_\_\_\_

Main breaker requirements: Amp: \_\_\_\_\_ Poles: \_\_\_\_\_ KAIC: \_\_\_\_\_

Interior #1 0-42 circuits \_\_\_\_\_ Load center \_\_\_\_\_ Panel board \_\_\_\_\_ Metered? YES NO

Interior #2 0-42 circuits \_\_\_\_\_ Load center \_\_\_\_\_ Panel board \_\_\_\_\_ Metered? YES NO

Branch breakers: Amps: Poles: KAIC: Label & Special requirements:

Qty \_\_\_\_\_ Breakers \_\_\_\_\_

Qty \_\_\_\_\_ Breakers \_\_\_\_\_

Qty \_\_\_\_\_ Breakers \_\_\_\_\_

Qty \_\_\_\_\_ Breakers \_\_\_\_\_

Qty \_\_\_\_\_ Breakers \_\_\_\_\_

Qty \_\_\_\_\_ Breakers \_\_\_\_\_

**Controls:**

Qty \_\_\_\_\_ Time Clock: 24 Hr \_\_\_\_\_ 7 Day \_\_\_\_\_ 365 Day Astro \_\_\_\_\_ Description: \_\_\_\_\_

Qty \_\_\_\_\_ Photo Electric Control Receptacle

Qty \_\_\_\_\_ Test switch: 2 Pos. \_\_\_\_\_ 3 Pos. \_\_\_\_\_ HOA Type \_\_\_\_\_ Other \_\_\_\_\_

Qty \_\_\_\_\_ Control Transformer \_\_\_\_\_ Voltage \_\_\_\_\_ VA Size (required for all 277/480v)

**Contactors:**

Type: Lighting - **LT** / Definite Purpose - **DP** / Mechanical Held - **MH** / Mercury - **MV** / IEC - **IC**

Qty \_\_\_\_\_ Type \_\_\_\_\_ Amps \_\_\_\_\_ Poles \_\_\_\_\_ Coil voltage \_\_\_\_\_ Other \_\_\_\_\_

Qty \_\_\_\_\_ Type \_\_\_\_\_ Amps \_\_\_\_\_ Poles \_\_\_\_\_ Coil voltage \_\_\_\_\_ Other \_\_\_\_\_

Qty \_\_\_\_\_ Type \_\_\_\_\_ Amps \_\_\_\_\_ Poles \_\_\_\_\_ Coil voltage \_\_\_\_\_ Other \_\_\_\_\_

**Cabinet / Finish requirements:** Alum – Untreated = **AO** / Alum Anodized = **AL** / Stainless Steel = **SS**

Aluminum – Painted = **A** / GALVANIZED STEEL PAINTED (STANDARD) \_\_\_\_\_ (specify paint below)

MINT GREEN (STANDARD) = **G** / Pine Green = **PG** / Dark Green = **DG** / Black = **BK** / Desert Tan = **DT**

White = **W** / Gray = **P** / Summerland Gray = **SG** / Other (RAL finish number) \_\_\_\_\_

Other Requirements: \_\_\_\_\_

Please send any drawings, plans, specifications, and load/panel board schedules with worksheet

---

---

---

---

---

---

---

---

---

---

---

---

---

---

---

---

---

---

---

---

---

---

---

---

---

---



# Meter Mounting Equipment & More!

**Commercial Electrical Enclosures**

**Residential & Commercial Metering**

**Commercial Meter Pedestals**

**Disconnect Devices**

**Current Transformer Enclosures**

**RV/MH Pedestals**

**Temporary Power Outlets**

**Circuit Breakers**

**Distribution Unit Substations**

**Enclosed Circuit Breakers**

**Safety Switches**

**Test Switches**



## **R.D. WRIGHT, INC.**

P.O. Box 130

Greenville, N.Y. 12083

Tel: 518-966-5980

Fax: 518-966-5985

## **MILBANK MFG. CO.**

PO Box 419028

Kansas City, MO 64141-0028

Tel: 816-483-5314 Fax: 816-483-6357

Toll Free: 877-483-5314

[www.milbankmfg.com](http://www.milbankmfg.com)

**MILBANK®**



[www.milbankmfg.com](http://www.milbankmfg.com)

**UNY 12/10 (1.5K)**