

In This Section...

Red•Dot®

Red•Dot® Weatherproof Boxes and Covers

Weatherproof Boxes and Covers — Overview	D-2
Code Keeper® Weatherproof Covers — Overview	D-3–D-4
Code Keeper® Weatherproof Covers	D-5–D-6
Weatherproof Covers	D-7–D-8
Swimming Pool Junction Boxes	D-9
Universal Boxes and Covers	D-10–D-17
Industrial Grade Weatherproof Covers	D-18–D-25
Round Boxes, Extensions and Covers	D-26–D-27
Lampholders, Garden Lights and Accessories	D-28–D-32
SiteLight® Landscape Lights	D-33–D-47
Industrial Vaportight Lighting	D-48–D-51
Vaporproof Fixtures	D-52–D-53
Industry Cross Reference	D-54–D-55
Merchandising System for D-PAK® Products	D-56–D-58
Kits	D-59
Steel City® Weatherproof to Red•Dot® Cross Reference	D-60–D-61
Rigid/Aluminum Conduit Bodies, Gaskets and Covers	D-62–D-67
Mogul Pulling Elbow/Service Entrance Bodies	D-68–D-69
Service Entrance Fittings	D-70
Zinc Concrete Slab Inserts, Elbows and Plugs	D-71–D-72

Red•Dot® Weatherproof Boxes and Covers

Thomas & Betts

United States
Tel: 901.252.8000
Fax: 901.252.1354

Canada
Tel: 450.347.5318
Fax: 450.347.1976

Customer Service
Tel: 800.816.7809

Technical Services
Tel: 888.862.3289

Thomas & Betts

www.tnb.com

Weatherproof Boxes and Covers — Overview

Weatherproof Boxes, Covers and Lighting Products

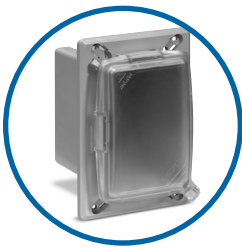
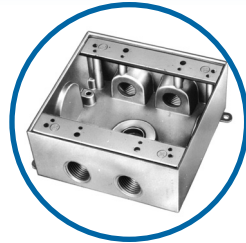
The industry's preferred choice for more than 50 years — Red•Dot® Weatherproof Boxes and Covers withstand the harshest elements and ensure trouble-free installation and performance.



Red•Dot® Weatherproof Boxes and Covers

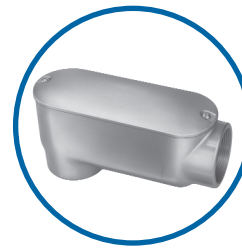
Boxes

Red•Dot® boxes are made from durable die-cast aluminum and available in single and double gang rectangular as well as round configurations — with a variety of hub sizes to meet all needs.



While in Use

Red•Dot® offers a wide variety of both metallic and non-metallic while-in-use covers. All of these covers help ensure that you meet the requirements of the National Electrical Code.



Conduit Bodies

Red•Dot® offers a large selection of die-cast aluminum general purpose conduit bodies in sizes up to 4".

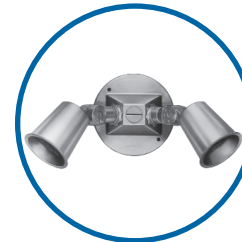
Covers

Red•Dot® die-cast flip-lid weatherproof covers protect any outdoor receptacle from the elements. Constructed from rugged die-cast zinc, these covers will last a lifetime.



D-PAK®

With a descriptive, easy-to-read label and display-ready packaging, the display packs make it quick and easy to put Red•Dot® out for customers to see.



Lighting

Red•Dot® has a complete lighting package for both general purpose outdoor lighting as well as decorative garden lights. All lighting products run off line voltage, providing more flexibility and brighter lighting than low-voltage or solar-powered sets, plus no additional transformers are required.



Merchandisers

With your choice of various stock displays or a customized display to fit your needs, Red•Dot® makes it easy to increase your counter sales.

Wet or Dry, All Outlets Can Go Undercover with Code Keeper®

Code Keeper® While-In-Use Applications

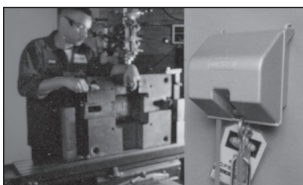
Code Keeper® weatherproof covers are required by the National Electric Code anyplace where water may come in contact with electrical outlets when a plug is in use. Code Keeper® covers are also ideal anywhere to prevent accidental disconnects, reduce tampering and to provide a lockable cover that meets OSHA requirements.

Suggested Applications:



Residential — holiday and landscape lighting, wells and sump pumps, sprinkler systems, plug-in timers, garages, patios.

Commercial — vending machines, car washes, outdoor signs, restaurant kitchens, greenhouses and nurseries, marinas, garages, lumberyards.



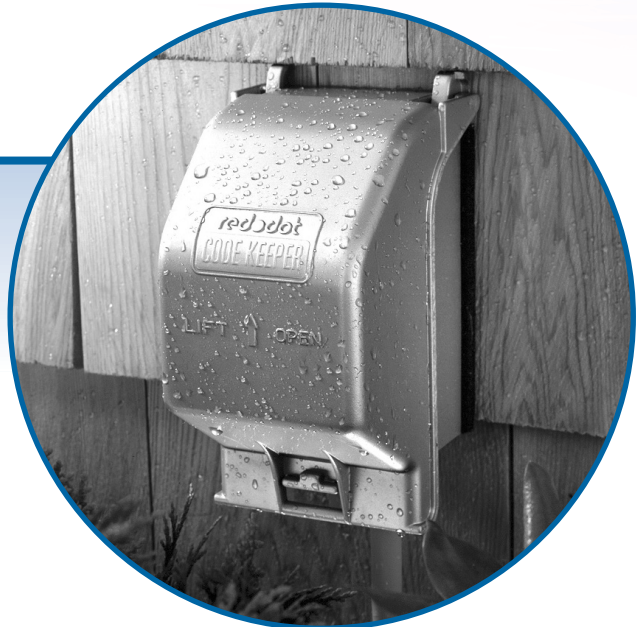
Industrial — manufacturing areas, food processing, water treatment plants, security cameras, laboratories, washdown areas, loading docks.

Recreational — pools and spas, parks, playgrounds, zoos, RV connections, athletic fields, ball parks, stadiums, outdoor stages, amphitheaters, golf courses.



National Electrical Code Article: 406.8(B):

(1) 15- and 20- Ampere, 125- and 250-volt receptacles installed outdoors in a wet location shall have an enclosure that is weatherproof whether or not the attachment plug cap is inserted.



The electrical code is the reason you need a wet location cover, but the reasons to buy Code Keeper® covers are simple: aluminum construction; easy installation with instructions in English, Spanish and French; and a lifetime warranty from a manufacturer that has defined reliability in electrical construction materials for over half of a century.

Cover the code with protection that lasts a lifetime with Code Keeper® covers.

The National Electrical Code requires you to cover outdoor or other wet location receptacles any time they are in use to ensure the safety of anyone who may come in contact with them.

Code Keeper® covers are corrosion-resistant, aluminum wet location covers that meet the requirements of the National Electric Code and are backed by a lifetime warranty.

Red•Dot's Code Keeper® wet location cover is NEMA 3R rated, UL® Listed and CSA certified and meets all the requirements of NEC Article 406.8(B). Code Keeper® covers are rugged, corrosion-resistant metal construction that provide long-lasting durability and are not subject to cracking or breaking. Made with the same Red•Dot® quality that contractors know and trust, Code Keeper® covers offer a lifetime of use and safety.

Code Keeper® Weatherproof Covers — Overview

Code Keeper® While-in-Use Applications

Applications:

- Protects receptacles, switches and plugs for single gang and two gang configurations in dry and wet locations
- Provides a lockable cover that complies with OSHA lockout/tagout requirements
- Prevents accidental equipment disconnects, reduces tampering and deters theft and equipment removal

Features/Benefits:

- Alloy A360 copper-free* aluminum provides increased corrosion resistance
- Die cast, metal construction provides long lasting durability
- NEMA 3R rating ensures protection against falling rain, sleet and external ice formation when used with appropriate device boxes
- Clear UL® and CSA markings speed approval by inspectors
- Wide range of cover depths and receptacle configurations accommodate almost every common plug and cord size when combined with included adapter plates
- Combination box or device mounting design provides flexibility in installation
- Trilingual instructions help to make installation easy for everyone

Standard Materials:

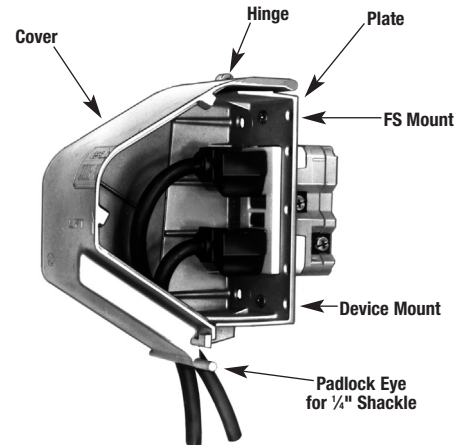
- Covers and Plates: Die cast aluminum alloy A360 with less than .004 copper content (copper-free)
- Gaskets: Closed-cell foam

Standard Finish:

- Powder coated finish

Compliances:

- NEC Article 406.8(B)
- UL® Listed
- CSA Certified



Sample Specifications:

- Code Keeper covers shall comply with NEC Article 406.8(B) and be die cast copper-free* aluminum alloy A360. Covers shall be finished powder coated paint.

Red•Dot® Catalog No. _____

**Less than .004 copper content.*

All 15- and 20-Ampere, 125- and 250-volt receptacles installed outdoors in a wet location must have an enclosure that is weatherproof whether or not the attachment plug is inserted.

Code-Keeper® is required by the National Electrical Code Article 406.8 (B) for unattended in-use plugs in wet locations.

- Die Cast A360 aluminum alloy (less than .004 copper content)
- NEMA 3R Rating
- Clear UL and CSA markings
- Wide range of cover depths and receptacle configurations
- Sturdy lockable cover tab compiles with OSHA lockout/tagout requirements
- Combination box or device mount design (for most styles)
- Powder coated finish



Single Gang
Medium Horizontal



Single Gang
Small Vertical



Single Gang
Medium Vertical



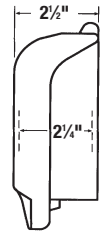
Single Gang
Large Vertical



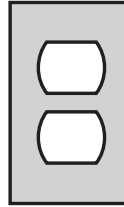
Two Gang

Code Keeper® Single-Gang Covers

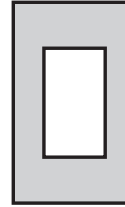
CKSUV — Small Vertical Cover 2 1/4" Internal Depth



Accepts most



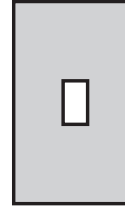
Duplex



GFCI



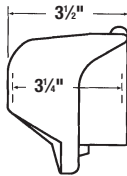
Single Receptacle



Switch

NOTE: Dry-tite® covers packed with gasket and screws.

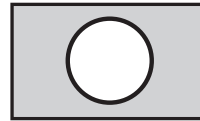
CKMU — Medium Horizontal Cover 2 1/4" Internal Depth



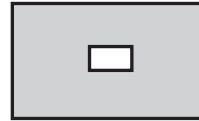
Duplex



GFCI



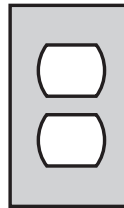
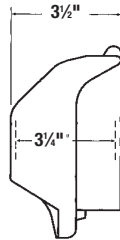
Single Receptacle



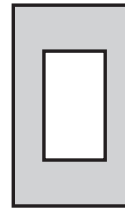
Switch

NOTE: Dry-tite® covers packed with gasket and screws.

CKMUV — Medium Vertical Cover 3 1/4" Internal Depth



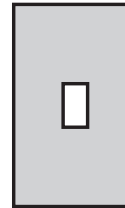
Duplex



GFCI



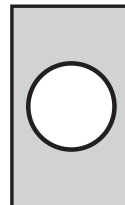
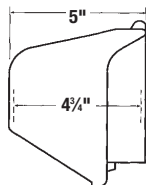
Single Receptacle



Switch

NOTE: Dry-tite® covers packed with gasket and screws.

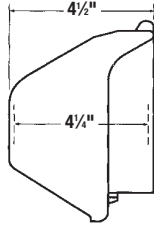
CKLSUV — Large Vertical Cover 4 3/4" Internal Depth



Single Receptacle

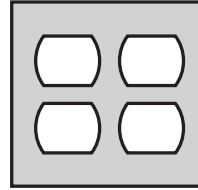
NOTE: Dry-tite® covers packed with gasket and screws.

Code Keeper® Two Gang Covers 2CKU — Regular Cover 4¼" Internal Depth

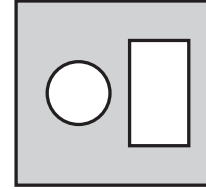


NOTE: Dry-tite® covers packed with gasket and screws.

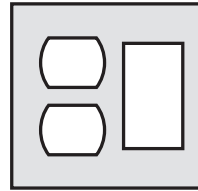
* Can be used to cover one receptacle with an oversized wall opening.



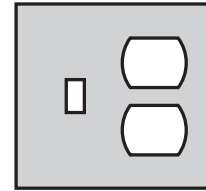
Two duplex receptacle cover



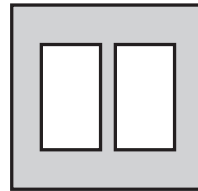
Single (1.438") and GFCI receptacle cover



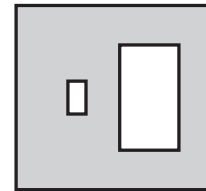
Duplex and GFCI receptacle cover



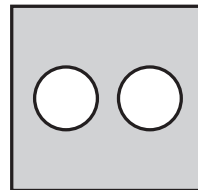
Toggle and duplex receptacle cover



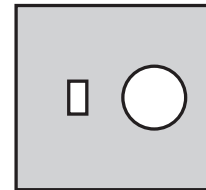
Two GFCI receptacle cover



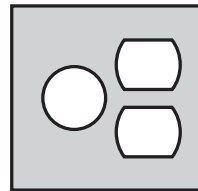
Toggle and GFCI receptacle cover



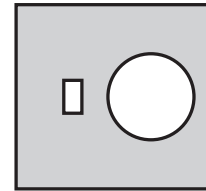
Two single (1.438") receptacle cover



Toggle and single (1.438") receptacle cover



Single (1.438") and duplex receptacle cover



Toggle and single (1.745") receptacle cover

Universal Recessed Box and Cover

T&B's Universal Recessed Box and Cover finally solves the problem of needing a While-In-Use cover, but not wanting to have a bulky cover on the outside of your home or building. The universal design means that the cover will accommodate a GFCI, duplex, switch or single receptacle up to 1 $\frac{5}{16}$ " making it the perfect choice for all outdoor outlets.



- Horizontal or vertical orientation
- Easily install in new work and old work applications
- Meets NEC 406.8(B) code requirements
- Lockable cover design for added security using external locking device*
- Accommodates GFCI, duplex, toggle switch and single receptacles up to 1 $\frac{5}{16}$ " when combined with included inserts**
- High impact UV resistant polycarbonate cover
- All installation screws included

Universal Recessed Box and Cover



CAT. NO.	DESCRIPTION	STD. CTN.
CKRU-G8	Gray box with a gray cover, bulk packaging	8
CKRU-WH8	White box with a white cover, bulk packaging	8
CKRU-8	Gray box with a clear cover, bulk packaging	8

UL® Listed.

CSA Certified.

* External locking device (such as a padlock) not supplied.

**Cover fits GFCI, the industry's most commonly used receptacle without the use of any inserts.

Universal While-In-Use Covers

T&B's Universal While-In-Use covers keep out moisture and take the hassle and cost out of installation. Single or two-gang kits accommodate up to eight configurations each, and every cover is designed with a method to secure using an external locking device.* Perfect for all outdoor outlets including landscape lighting, lawn equipment, pool/hot tub pumps and holiday lighting.



- Saves you time — no inserts to slow you down, no labor intensive cutouts
- Horizontal or vertical orientation
- Meets NEC 406.8(B) code requirements
- Lockable cover design for added security using external locking device.
- High impact UV-resistant polycarbonate base construction
- Weatherproof, thermoplastic cover with transparent finish
- Accommodates GFCI, single and duplex receptacles, toggle switches and single receptacles up to 1.59" diameter
- Mounts to a box or the device. All installation screws included
- Great for retrofit applications. Device holes are keyed, so just back out the existing device screws and slip the cover over previously installed screws

Universal Non-Metallic While-In-Use Cover



CAT. NO.	DESCRIPTION	STD. CTN.
CKNM	Single gang duplex/GFCI/switch/single 1.59 — horizontal or vertical — pad lockable	6
2CKNM	Two gang duplex/GFCI/switch/single 1.59 — horizontal or vertical — pad lockable	4
CKNMD	Deep single gang duplex/GFCI/switch/single 1.59 — horizontal or vertical — pad lockable, 4 $\frac{1}{4}$ " deep	4
2CKNMD	Deep two gang duplex/GFCI/switch/single 1.59 — horizontal or vertical — pad lockable, 4 $\frac{1}{4}$ " deep	4

UL® Listed.

CSA Certified.

Cover ships as a vertical GFCI, the industry's most commonly used version.

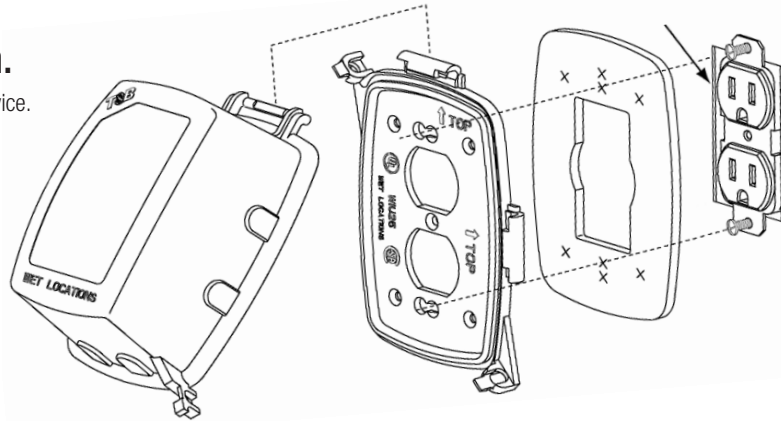
* External locking device (such as a padlock) not supplied.

Red•Dot® Weatherproof Boxes and Covers

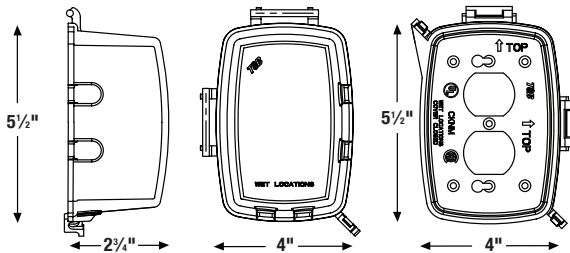
Universal While-in-Use Covers (continued)

Fast and Easy Installation.

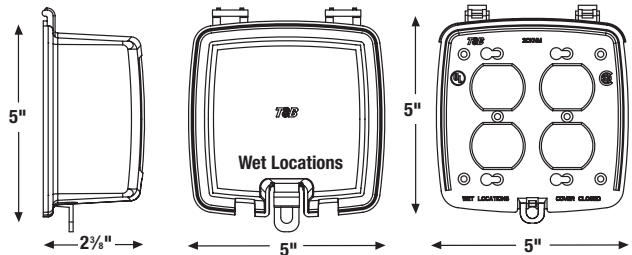
Choose your base plate and secure to the device. Then snap on the lid, and you're done!



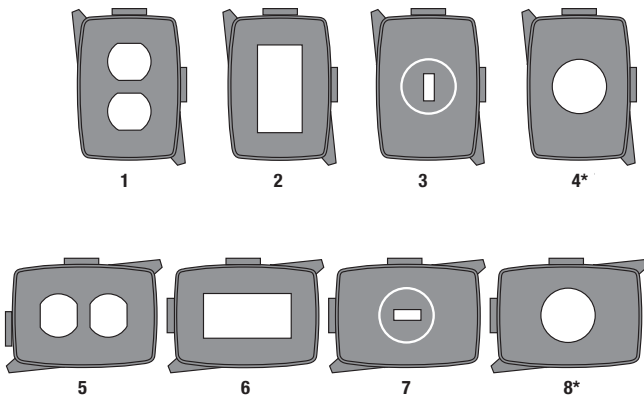
Single-Gang (CKNM) — Dimensions



Two-Gang (2CKNM) — Dimensions

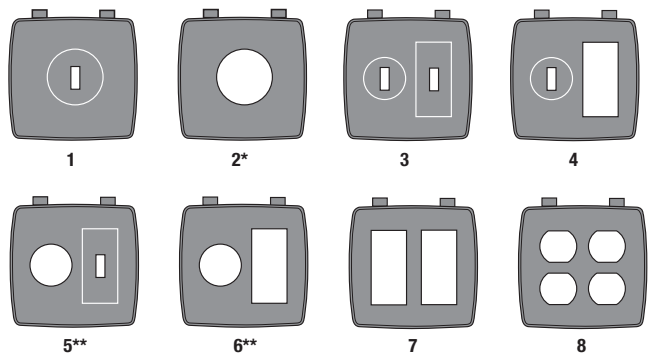


Single-Gang Base Options



*1.59" diameter fits up to 30 Amp twist lock receptacle.

Two-Gang Base Options

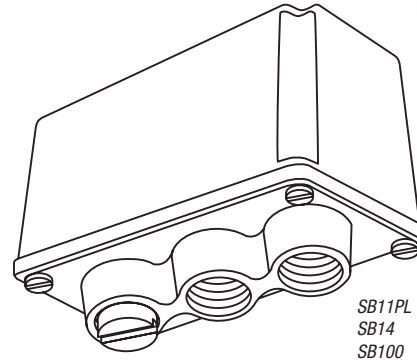
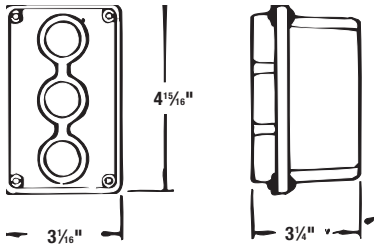


*2.125" Diameter
**1.59" Diameter

Used for Making Wiring Connections to Underwater Pool Lighting, Line or Low voltage.

Swimming Pool Junction Boxes

- Black LEXAN® cover, die cast solid brass base
- Supplied with brass closure plugs, four ground screws, sealing gasket and mounting hardware
- 3 1/16" x 4 3/16" x 3 1/4" deep



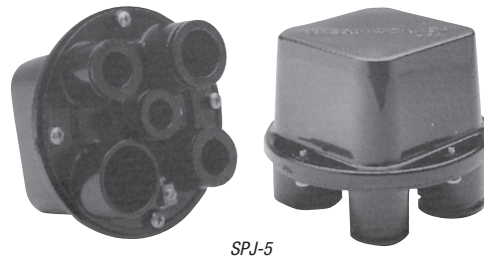
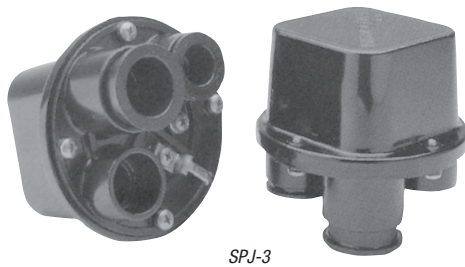
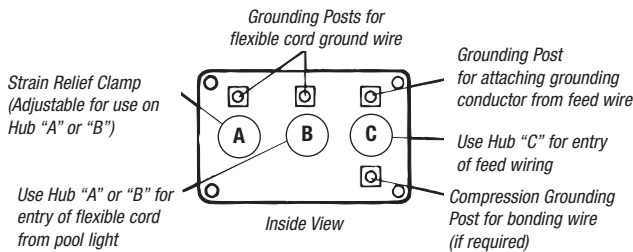
SB Series

CAT. NO.	CUBIC IN.	NO. OF PLUGS	DESCRIPTION CONDUIT HUB SIZE			PACKAGING	
			A	B	C	BOX	STD. CTN.
SB11PL	22.0	1	1/2"	1/2"	1/2"	1	10
SB14	22.0	1	3/4"	3/4"	3/4"	1	10
SB100	22.0	1	3/4"	1"	3/4"	1	10

UL® Listed E-63648.

Weatherproof.

LEXAN is a registered trademark of GE Plastics.



SPJ Series

CAT. NO.	NO. OF PLUGS	HUB SIZE	PACKAGING STD. CTN.
SPJ-3	3	(2) 1/2" and (1) 1"	24
SPJ-5	5	(1) 1/2", (2) 3/4" and (2) 1"	24
SPJ-MB	—	Mounting brackets	24
SPJ-SR	—	Rod	24

Red•Dot® Weatherproof Boxes and Covers

Universal Boxes and Covers

Applications:

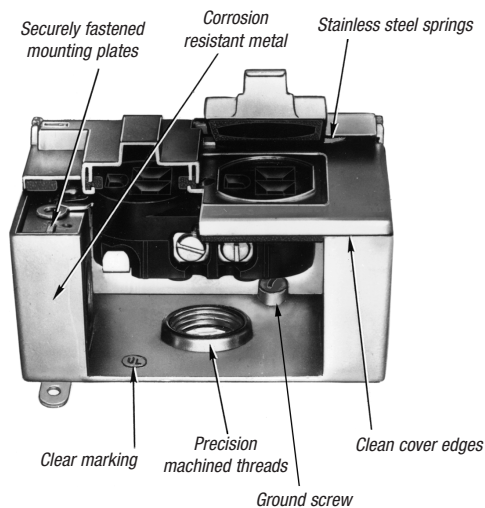
- Dry-tite® boxes and covers protect wiring devices, switches, electronic components, and terminal blocks in dry, damp and wet locations
- Accessible wiring chamber provides a convenient location to maintain or change a system, pull conductors and make splices
- Junction box for branch conduits

Features/Benefits:

- Alloy A380 aluminum, certified zinc alloy, and stainless steel springs provide increased corrosion resistance
- Die cast construction and industrial design combine to produce a rugged protective enclosure for devices on many applications
- Clean cover edges provide good gasket sealing
- Precision cast and machined surfaces permit safer wire pulling
- Clear UL® and cubic content markings speed approval by inspectors
- Convenient mounting lugs for a variety of mounting methods
- Securely fastened mounting plates reduce costly call backs

Standard Materials:

- Boxes: Die cast aluminum alloy A380
- Cover Plates: Stamped aluminum alloy or certified die cast zinc alloy ZAMAK 3
- Cover Lids: Certified die cast zinc alloy ZAMAK 3



Standard Finish:

- Powder coated finish

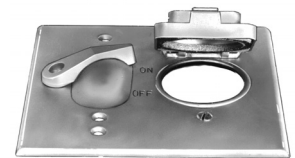
Compliances:

- UL Listed. UL File No. E-2969
- Boxes: CSA Certified with factory installed ground screw**
- Covers: CSA Certified
- Covers suitable for use in wet locations with covers closed
- CCB and CCT series covers suitable for use in wet locations
- Federal Spec. W-C-586
- NEMA 3R Rated

Sample Specifications:

- Universal device boxes and covers shall be of aluminum alloy A380 and certified zinc alloy. All conduit stops shall be free of rough edges. Covers shall have stainless steel springs. Covers shall be finished with powder coated paint. Universal device boxes and covers shall be Red•Dot® Catalog No. _____

**Consult factory for lead time and minimum quantity.



2CCTS



2IH5-1



CCD

Accessible wiring chamber provides a convenient location to pull conductors and make splices in dry, damp or wet locations.

- Maximum cubic capacity
- Securely fastened mounting plates
- Corrosion resistant materials
- Powder coated finish
- Ground screw included
- Precision machined threads
- Clear UL and cubic volume marking



IH3-1-LM

Universal Boxes and Covers

Single Gang

	CAT. NO.	HUB SIZE	COLOR	OUTLETS
--	----------	----------	-------	---------

Three Outlets



IH3-1	½"	Silver	Top	1
IH3-2	¾"	Silver	Bottom	1
IH3-1-LM•	½"	Silver	Back	1
IH3-2-LM•	¾"	Silver	Total	3

D-PAK® *

DIH3-1-LM•	½"	Silver		
DIH3-1-LM-BR•	½"	Bronze		
DIH3-1-LM-WH•	½"	White		
DIH3-2-LM•	¾"	Silver		
DIH3-3-LM	1"	Silver		

Four Outlets



IH4-1	½"	Silver	Top	2
IH4-2	¾"	Silver	Bottom	1
IH4-1-LM•	½"	Silver	Back	1
IH4-2-LM•	¾"	Silver	Total	4

D-PAK® *

DIH4-1-LM•	½"	Silver		
DIH4-1-LM-BR•	½"	Bronze		
DIH4-1-LM-WH•	½"	White		
DIH4-2-LM•	¾"	Silver		

Five Outlets



IH5-1	½"	Silver	Top	2
IH5-2	¾"	Silver	Bottom	2
IH5-1-LM•	½"	Silver	Back	1
IH5-2-LM•	¾"	Silver	Total	5

D-PAK® *

DIH5-1-LM•	½"	Silver		
DIH5-2-LM•	¾"	Silver		

Five Outlets (2 Side)



IH5S2-1•	½"	Silver	Top	1
IH5S2-2•	¾"	Silver	Bottom	1
			Side	1
			Side	1
			Back	1
			Total	5

Six Outlets (3 Side)



IH6S2-1•	½"	Silver	Top	1
IH6S2-2•	¾"	Silver	Bottom	1
			Side	2
			Side	1
			Back	1
			Total	6

NOTE: Raintight when used with appropriate Red•Dot® covers. Boxes supplied with 2 closure plugs and ground screw.

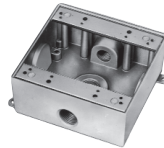
• With mounting lugs

* See pages D-56–D-58 for complete D-PAK™ assortment.

Two Gang

	CAT. NO.	HUB SIZE	OUTLETS
--	----------	----------	---------

Three Outlets

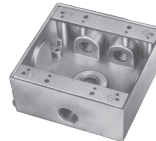


2IH3-1•	½"	Top	1
2IH3-2•	¾"	Bottom	1
		Back	1
		Total	3

D-PAK® *

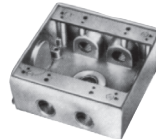
D2IH3-1	½"		
---------	----	--	--

Four Outlets



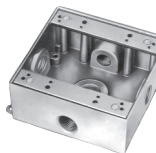
2IH4-1•	½"	Top	2
2IH4-2•	¾"	Bottom	1
		Back	1
		Total	4

Five Outlets



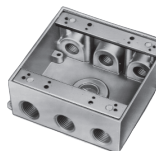
2IH5-1•	½"	Top	2
2IH5-2•	¾"	Bottom	2
		Back	1
		Total	5

Five Outlets (2 Side)



2IH5S2-1•	½"	Top	1
2IH5S2-2•	¾"	Bottom	1
		Side	1
		Side	1
		Back	1
		Total	5

Seven Outlets



2IH7-1•	½"	Top	3
2IH7-2•	¾"	Bottom	3
		Back	1
		Total	7

Seven Outlets (2 side)



2IH7S2-1•	½"	Top	2
2IH7S2-2•	¾"	Bottom	2
		Side	1
		Side	1
		Back	1
		Total	7





NOTE: Raintight when used with appropriate Red•Dot® covers. Boxes supplied with 2 closure plugs and ground screw.

• With mounting lugs





* See pages D-56–D-58 for complete D-PAK™ assortment.

Universal Boxes and Covers


Deep Boxes — Single Gang

	CAT. NO.	HUB SIZE	OUTLETS
Three Outlets			
	IHD3-1•	1/2"	Top 1
	IHD3-2•	3/4"	Bottom 1
	IHD3-3•	1"	Back 1
	Total		3
Four Outlets			
	IHD4-1•	1/2"	Top 2
	IHD4-2•	3/4"	Bottom 1 Back 1
	Total		4
Two-Gang Five Outlets			
	2IHD5-1•	1/2"	Top 2 Bottom 2 Back 1
	2IHD5-2•	3/4"	
	2IHD5-3•	1"	
	Total		5
Three-Gang Seven Outlets			
	3IHD7-2•	3/4"	Top 3
	3IHD7-3•	1"	Bottom 3 Back 1
	Total		7


Extensions — Single Gang

	CAT. NO.	HUB SIZE	OUTLETS	DESCRIPTION
No Outlets — 1" Deep				
	IHE	N/A	0	Extension ring for one gang box with gasket and screws
Four Outlets — 1 3/8" Deep				
	IHE4-1	1/2"	Top 2	4-hole extension ring for one gang box with 4 plugs, gasket and screws
			Bottom 2	
	Total		4	
Two Outlets, Flanged — 1 1/8" Deep				
	IHEF2-1	1/2"	Top 1	2-hole flanged box extension adapter with 1 plug gasket and screws
			IHEF2-2	
	Total		2	
Six Outlets, Flanged — 1 1/8" Deep				
	IHEF6S2-1	1/2"	Top 2	6-hole flanged box extension Adapter with 4 plug gasket and screws
	IHEF6S2-2	3/4"	Bottom 2	
	LTX100-5	1"	Side 1	
	Total		6	

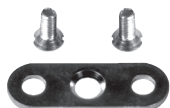
Two Gang

	CAT. NO.	HUB SIZE	OUTLETS	DESCRIPTION
No Outlets — 1" Deep				
	2IHE	N/A	0	Extension ring for two gang boxes with gasket and screws

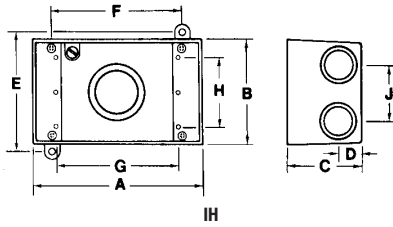
Round

	CAT. NO.	HUB SIZE	OUTLETS	DESCRIPTION
Four Outlets — 1 5/8" Deep				
	SE-47	1/2"	4	Round extension with gasket and screws
	SE-48	3/4"	4	

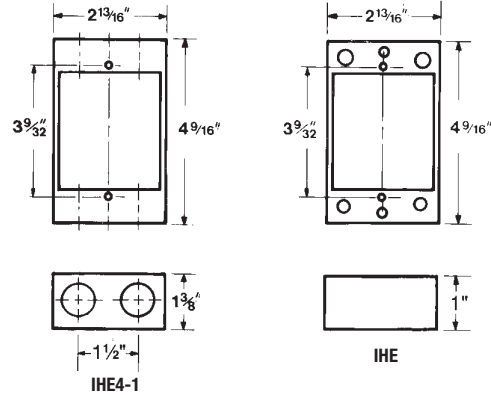
Mounting Lugs

	CAT. NO.	DESCRIPTION
	LM	2 mounting lugs with self tapping screws. For LM boxes only

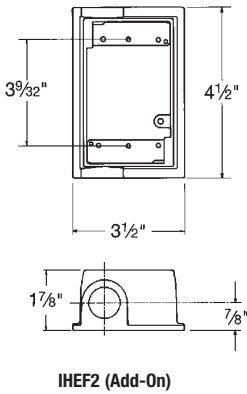
Single-Gang Boxes



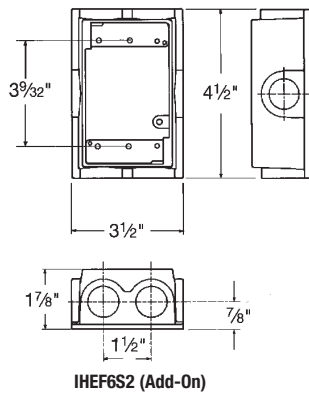
Single -Gang Extension Rings



Two-Hole Flanged Box Extension Adapter



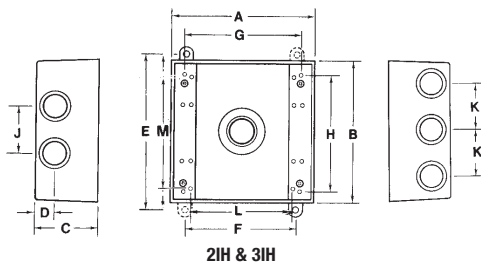
Six-Hole Flanged Box Extension Adapter



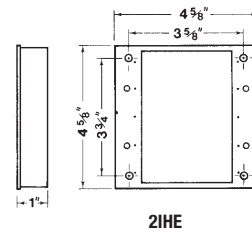
Single-Gang Boxes

CAT. NO.	HUB SIZE	A	B	C	D	E	F	G	H	J	CI
IH-1	1/2"	4 9/16	2 13/16	2	5/8	—	—	3/4	1 1/8	1 1/2	17.3
IH-2	3/4"	4 9/16	2 13/16	2	5/8	—	—	3/4	1 1/8	1 1/2	17.0
IH-LM-1	1/2"	4 9/16	2 13/16	2	5/8	3 13/16	3 1/2	3/4	1 1/8	1 1/2	17.3
IH-LM-2	3/4"	4 9/16	2 13/16	2	5/8	3 13/16	3 1/2	3/4	1 1/8	1 1/2	17.0
IH-S-1	1/2"	4 9/16	2 13/16	2	5/8	3 13/16	3 1/2	3/4	1 1/8	1 1/2	17.0
IH-S-2	3/4"	4 9/16	2 13/16	2	5/8	3 13/16	3 1/2	3/4	1 1/8	1 1/2	17.0
IHD-1	1/2"	4 9/16	2 13/16	2 5/8	5/8	3 13/16	3 1/2	3/4	1 1/8	1 1/2	24.8
IHD-2	3/4"	4 9/16	2 13/16	2 5/8	5/8	3 13/16	3 1/2	3/4	1 1/8	1 1/2	24.8
IHD-3	1"	4 9/16	2 13/16	2 5/8	3/4	3 13/16	3 1/2	3/4	1 1/8	1 1/2	23.5

Two and Three-Gang Boxes



Two-Gang Extension Ring



Two and Three-Gang Boxes

CAT. NO.	A	B	C	D	E	F	G	H	J	K	L	M	CI
2IH3	4 9/16	4 9/16	2 1/16	5/8	5	3 1/2	3 17/32	3 3/4	—	—	3/4	3 3/16	31.8
2IH4	4 9/16	4 9/16	2 1/16	5/8	5	3 1/2	3 17/32	3 3/4	1 1/2	—	3/4	3 3/16	31.8
2IH5	4 9/16	4 9/16	2 1/16	5/8	5	3 1/2	3 17/32	3 3/4	1 1/2	—	3/4	3 3/16	31.8
2IH5S2	4 9/16	4 9/16	2 1/16	5/8	5	3 1/2	3 17/32	3 3/4	—	—	3/4	3 3/16	31.8
2IH7	4 9/16	4 9/16	2 1/16	5/8	5	3 1/2	3 17/32	3 3/4	—	1 1/2	3/4	3 3/16	30.3
2IH7S2	4 9/16	4 9/16	2 1/16	5/8	5	3 1/2	3 17/32	3 3/4	1 1/2	—	3/4	3 3/16	32.0
2IHD5	4 9/16	4 9/16	2 17/32	3/4	5	3 1/2	3 17/32	3 3/4	1 1/16	—	3/4	3 3/16	40.3
3IHD7	4 9/16	6 1/16	2 17/32	1 1/16	6 13/16	3 1/2	3 3/4	5 5/8	—	1 1/16	3/4	3 3/16	54.8

Universal Design Installs in Both Horizontal and Vertical Applications.

Universal Flip Lid Weatherproof Cover

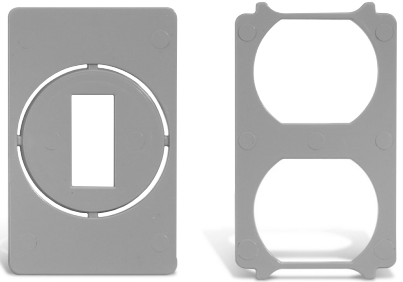


New Red Dot Universal Flip-Lip Weatherproof Covers save you time and money by reducing the number of items you have to inventory to complete a job. Capable of mounting either vertically or horizontally, the covers provide added versatility with innovative adapter plates to support all of the most common installation configurations — 12 with the single-gang cover and 25 with the 2-gang cover. Choose among silver, bronze and white covers.

Features

- Included adapter plates offer 12 installation options with single-gang cover and 25 installation options with 2-gang cover
- Keyhole openings on back enable easy installation on an existing outlet
- Durable, die-cast zinc-alloy construction
- Suitable for use in wet locations with cover closed
- Available in silver, bronze and white
- Lockable for security when not in use
- Easy access to outlet with 130° opening
- Preconfigured for GFCI — the industry's most common outdoor application

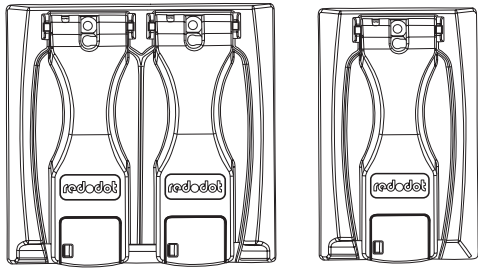
Accommodates Multiple Outlet Configurations (outlets not included)



Includes Two Adapter Plates



GFCI Duplex Single Receptacle Switch



Universal Flip-Lid Weatherproof Covers



CAT. NUMBER	DESCRIPTION	STD. PKG. QTY.
CCU	Single-Gang Cover (installs vertically or horizontally) — Silver	50
DCCU	D-PAK™ — Silver	25
DCCU-BR	D-PAK™ — Bronze	25
DCCU-WH	D-PAK™ — White	25
2CCU	2-Gang Cover — Silver	10
2CCU-BR	2-Gang Cover — Bronze	10
2CCU-WH	2-Gang Cover — White	10

Single-Gang Device Covers

- All covers packed with gasket and screws.



CCD

CAT. NO.	COLOR	DESCRIPTION
Duplex Receptacle Cover, Horizontal		
CCD	Silver	Device mount
CCD-L	Silver	Device mount with lock option
CCD-FS	Silver	Box mount
WR81-CN	Natural	Cover, stay open lid
WRH80-C	Gray	Cover, self-closing lids

D-PAK® *

DCCD-P	Silver	Plastic device mount
DCCD	Silver	Device mount
DCCD-BR	Bronze	Device mount
DCCD-WH	White	Device mount
DCCDSO	Silver	Device mount stay open
DCCDSO-BR	Bronze	Device mount stay open
DCCDSO-WH	White	Device mount stay open

Duplex Receptacle Cover, Vertical



CCDV

CCDV	Silver	Device mount
CCDV-L	Silver	Device mount with lock option

D-PAK® *

DCCDV	Silver	Device mount
DCCDV-BR	Bronze	Device mount
DCCDV-WH	White	Device mount

GFCI Receptacle Cover, Horizontal



CCG

CCG	Silver	Device mount
CCG-FS	Silver	Box mount

D-PAK® *

DCCG	Silver	Device mount
DCCG-BR	Bronze	Device mount
DCCG-WH	White	Device mount

GFCI Receptacle Cover, Vertical



CCGV

CCGV	Silver	Device mount
CCGV-L	Silver	Device mount with lock option

D-PAK® *

DCCGV	Silver	Device mount
DCCGV-BR	Bronze	Device mount
DCCGV-WH	White	Device mount



CCS

CAT. NO.	COLOR	DESCRIPTION
Single Receptacle Cover, Horizontal — 1.485" Diameter Opening		
CCS	Silver	Device mount



CCSV

Single Receptacle Cover, Vertical — 1.59" Diameter Opening		
CCSV	Silver	Device mount
CCSV-L	Silver	Device mount with lock option
CCPO	Silver	Power outlet cover with 2.156" Diameter opening, box mount
CCPO-L	Silver	Box mount with lock option



CCSV-TL

Single Receptacle Cover, Vertical — 1.59" Opening

CCSV-TL	Silver	Device mount integral locking hasp
---------	--------	------------------------------------

Motor Base Plug and Cover, Horizontal

CCMB	Silver	Device mount 15A-125V motor base plug
------	--------	---------------------------------------

Switch Cover Only

CCT	Silver	Device mount switch cover only, Packed with spacers and screws
-----	--------	--

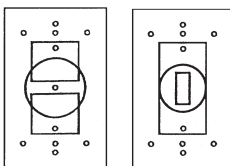
Switch Cover with Switch

CCT-1	Silver	Single pole 15A, 125V
CCT-1-20	Silver	Single pole 20A, 120-277V
SW20-2	Silver	Double pole 20A, 120-277V All with spacers and screws
CCT-3	Silver	3-Way switch 15A, 125V

NOTE: Raintight when used with appropriate Red•Dot® boxes. * See Pages D-56-D-58 for complete D-PAK® assortment.

SW1	Silver	One gang cover with 10A, 125V single-pole switch
SW2	Silver	One gang cover with 10A, 125V double-pole switch
SW20-1/710	Silver	One gang cover with 20A, 102/277V single-pole switch (special oil and gas resistant gasket)
SW20-2	Silver	One gang cover with 20A, 102/277V double-pole switch
SW20-2/710	Silver	One gang cover with 20A, 102/277V double-pole switch (special oil and gas resistant gasket)


UL® Listed E-18407
CSA Certified LR-18685





Single-Gang Gaskets


CAT. NO.	COLOR	DESCRIPTION
CCK	Black	Neoprene
CCSK	Black	Neoprene


Two-Gang Device Covers


	CAT. NO.	DESCRIPTION
	2CCD	Device mount
	2CCD-L	Device mount with lock option
	WR281-CBR	Cover, self-closing lids
	WR281-C-WH	Cover, self-closing lids

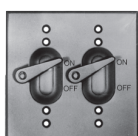
	CAT. NO.	DESCRIPTION
	2CCG	Device mount


	CAT. NO.	DESCRIPTION
	2CCDG	Device mount


	CAT. NO.	DESCRIPTION
	2CCS	Device mount
	2CCS-L	Device mount with lock option

	CAT. NO.	DESCRIPTION
	2CCSD	Device mount

	CAT. NO.	DESCRIPTION
	2CCSG	Device mount
	2CCSG-L	Device mount with lock option
	WR74-81-C	Cover, self-closing lids, opening diameter

	CAT. NO.	Description
	2CCT	Cover only, packed with spacers
	2CCT-1	Cover with two single pole 15A, 125V switches and spacers


	CAT. NO.	DESCRIPTION
	2CCTD	Cover only, packed with spacers
	2CCTD-1	Cover with One switch Single pole 15A, 125V and one duplex receptacle and spacers

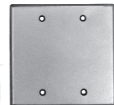
	CAT. NO.	DESCRIPTION
	2CCTG	Device mount cover only with spacers


NOTE: Raintight when used with appropriate Red•Dot® boxes.

- All covers packed with gasket and screws

Blank Covers

	CAT. NO.	COLOR	DESCRIPTION
	CCB	Silver	Device mount
	CCB-FS	Silver	Box mount
	<i>D-PAK™ *</i>		
	DCCB	Silver	Device mount
	DCCB-BR	Bronze	
	DCCB-WH	White	

	CAT. NO.	COLOR	DESCRIPTION
	2CCB	Silver	Device mount
	2CCB-FS	Silver	Box mount
	<i>D-PAK™ *</i>		
	D2CCB	Silver	Device mount

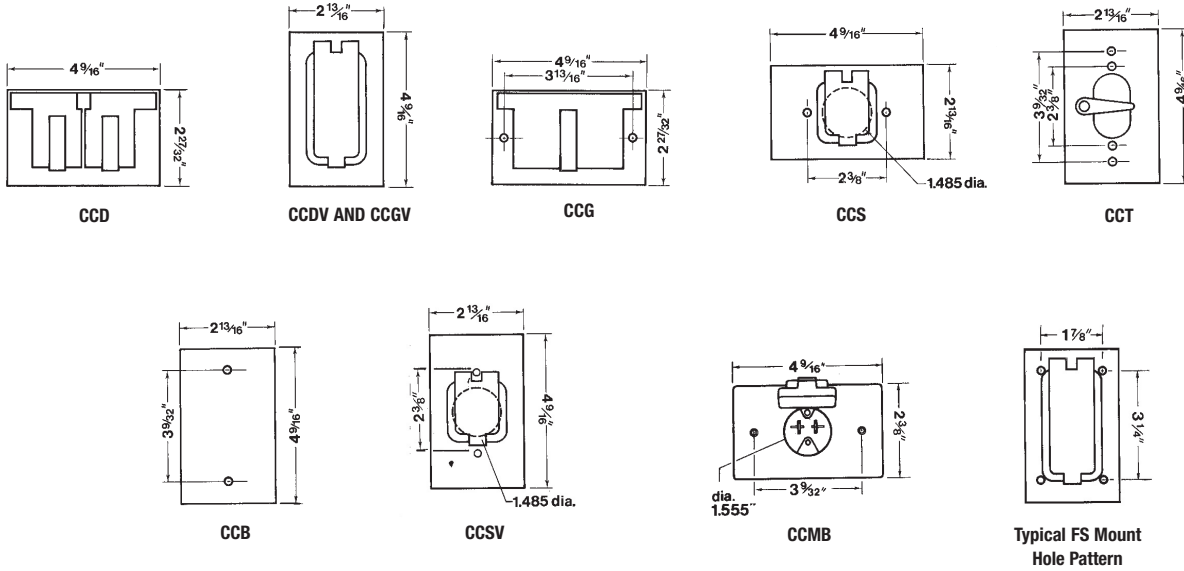
	CAT. NO.	COLOR	DESCRIPTION
	3CCB	Silver	Box mount

NOTE: Raintight when used with appropriate Red•Dot® boxes.

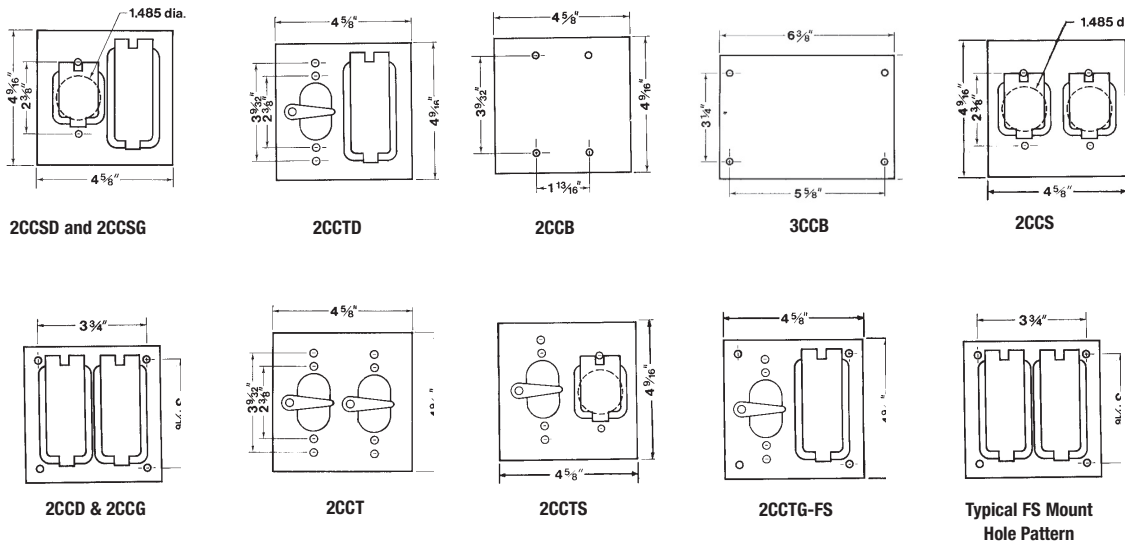
* See pages D-56–D-58 for complete D-PAK® assortment.

- All covers packed with gasket and screws

Single-Gang Covers



Two and Three-Gang Covers



Red-Dot® Weatherproof Boxes and Covers

FS/FD Aluminum Device Boxes and Covers

Application

- Industrial grade FS device boxes and raintight covers protect wiring devices, switches, electronic components, and terminal blocks in dry, damp and wet locations
- Spacious, accessible wiring chamber provides a convenient location to maintain or change a system, pull conductors and make splices
- Junction for branch conduits
- Aluminum boxes can be used with steel rigid conduit

Features/Benefits

- Copper-free* aluminum, stainless steel cover springs and hinge pins provide increased corrosion resistance
- Die cast construction, boxes with securely fastened mounting plates and industrial designed covers combine to produce a rugged protective enclosure for devices on industrial and OEM applications
- Clean cover edges provide good gasket sealing
- Precision NPT threaded hubs allow trouble-free field installation for rigid or IMC conduit
- Clear UL, CSA and cubic content markings speed approval by inspectors
- Boxes — external hub design provides increased wiring room

Standard Materials

- Die cast aluminum alloy A360 with less than .004 copper content (copper-free)
- Cover hinge pins and springs: Stainless steel

Standard Finish

- Powder coated finish

Compliances:

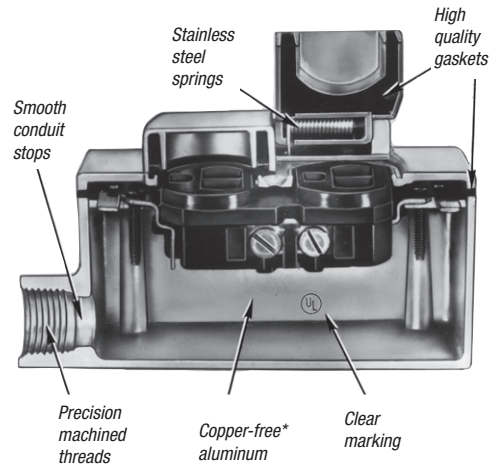
- UL® Listed — File # E23688
- Boxes CSA Certified with factory installed ground screw**
- Covers CSA Certified
- Federal Spec. W-C-586

Sample Specifications

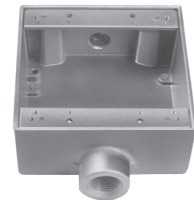
- Industrial grade FS device boxes and covers shall be die cast copper-free* aluminum alloy A360. All conduit stops shall be coined and free of rough edges. Raintight covers shall have stainless steel springs and hinge pins and are suitable for use in wet locations with cover closed (CFSB, CFST and CFSTF suitable for wet locations). Industrial grade FS device boxes and covers shall be finished with powder coated gray. Industrial grade FS device boxes and covers shall be Thomas & Betts Catalog No. _____

*Less than .004 copper content.

**Consult factory for lead time and minimum quantity.



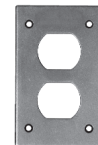
AFS



2AFSC



CWP-G

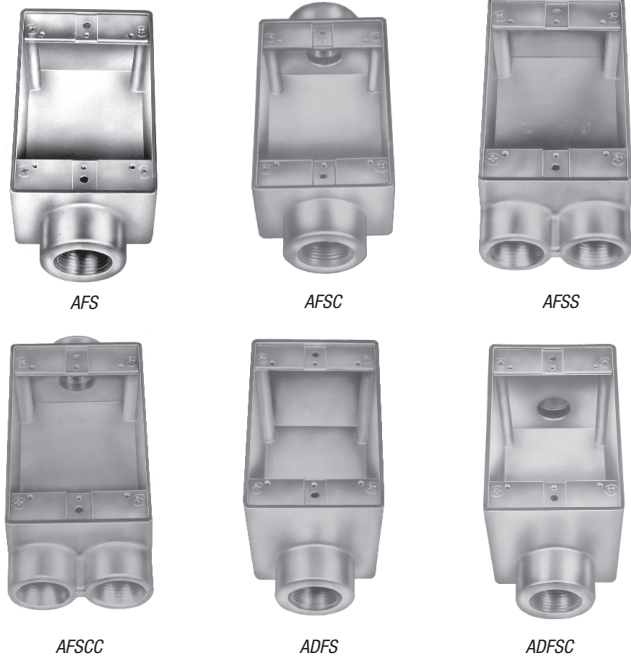


CDR

Single-Gang Boxes Raintight*

CAT. NO.	HUB SIZE	UNIT QTY.	STD. CTN.	WT. LBS. PER 100
Standard, 1 – Hole Box, Dead End				
* AFS-1	½"	5	25	68
* AFS-2	¾"	5	25	74
* AFS-3	1"	5	25	72
Standard, 2 – Hole Box, Through Feed				
* AFSC-1	½"	5	25	72
* AFSC-2	¾"	5	25	88
* AFSC-3	1"	5	25	79
Standard, 2 – Hole Box, Dead End				
* AFSS-1	½"	5	25	80
* AFSS-2	¾"	5	25	76
Standard, 3 – Hole Box, Through Feed				
* AFSCC-1	½"	5	25	88
* AFSCC-2	¾"	5	25	80
Deep, 1 – Hole Box, Dead End				
* ADFS-1	½"	5	74	
* ADFS-2	¾"	5	78	
* ADFS-3	1"	5	80	
Deep, 2 – Hole Box, Through Feed				
* ADFSC-1	½"	5	76	
* ADFSC-2	¾"	5	90	
* ADFSC-3	1"	5	90	

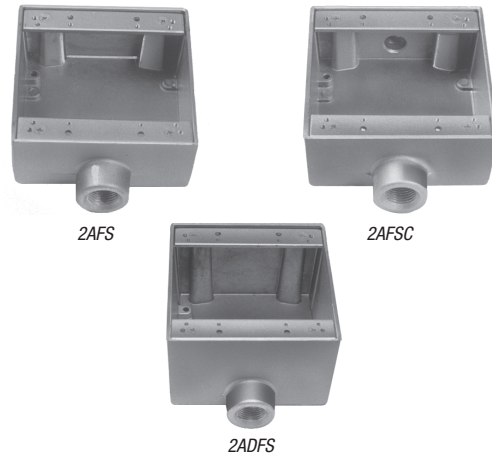
*Raintight when used with appropriate Red•Dot® covers.



Two-Gang Boxes Raintight*

CAT. NO.	HUB SIZE	UNIT QTY.	STD. CTN.	WT. LBS. PER 100
Standard, 1 Hole Box, Dead End				
* 2AFS-1	½"	2	10	115
* 2AFS-2	¾"	2	10	95
* 2AFS-3	1"	2	10	90
Standard, 2 Hole Box, Through Feed				
* 2AFSC-1	½"	2	10	104
* 2AFSC-2	¾"	2	10	102
Deep, 1 Hole Box, Dead End				
* 2ADFS-1	½"	3	128	
* 2ADFS-2	¾"	3	143	

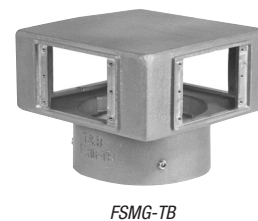
*Raintight when used with appropriate Red•Dot® covers.



Multi-Gang Boxes Raintight*

CAT. NO.	HUB SIZE	UNIT QTY.	STD. CTNG.	WT. LBS. PER 100
FSMG-TB	4" threadless conduit	1	242	—

*Raintight when used with appropriate Red•Dot® covers.



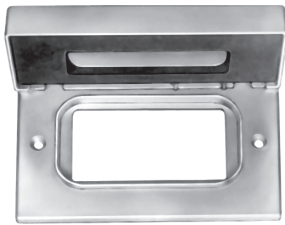
Red•Dot® Weatherproof Boxes and Covers



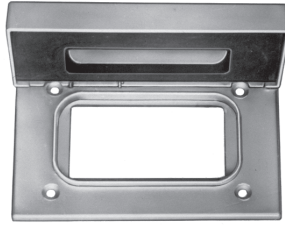
CWPDR



CWPDR-FS



CWPV-G



CFSH-G



CFSDR



CWPV-G



CFSR-G



CFSR Series

Single-Gang Covers Complete with Gasket and Screws Raintight*

CAT. NO.	DESCRIPTION	UNIT QTY.	STD. CTN.	WT. LBS. PER 100
For Duplex Receptacles, Horizontal				
* CWPDR	Duplex receptacle cover with 2 spring doors, device mount	1	25	40
* CWPDR-FS	Box mount	1	25	40
For Duplex Receptacles, Vertical				
* CFSDR	Box mount	1	25	38
For GFCI Receptacles, Horizontal				
* CFSH-G	Box mount	1	25	40
For GFCI Receptacles, Vertical				
* CWPV-G	GFCI receptacle cover 2 ¹ / ₂ " x 1 ¹ / ₂ " rectangular opening device mount	1	25	40
* CFSR-G	Box mount	1	25	40

*Raintight when used with appropriate Thomas & Betts boxes.

Single-Gang Covers Complete with Gasket and Screws Raintight*

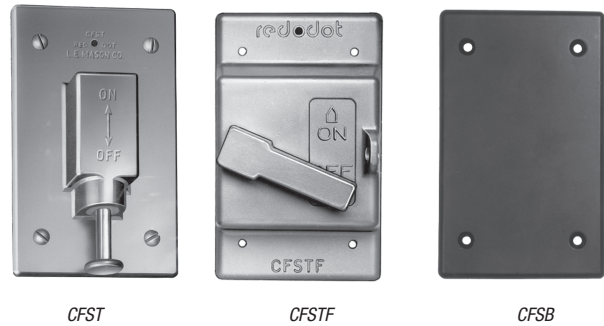
CAT. NO.	NOMINAL SIZE	MAX. DEVICE FACE DIA.	UNIT QTY.	STD. CTN.	WT. LBS PER 100
For Single Receptacles Vertical (Box Mount Only)					
* CFSR-L	1 ⁹ / ₁₆ "	1.600"	1	25	40
* CFSR-S	1 ³ / ₈ "	1.395"	1	25	40
* CFSR-X	1 ⁷ / ₃₂ "	1.865"	1	25	40
* CFSR-XL	2 ¹ / ₈ "	2.145"	1	25	40
* CFSR-Y	1 ³ / ₄ "	1.750"	1	25	40

*Raintight when used with appropriate Thomas & Betts boxes.

Single-Gang Covers Complete with Gasket and Screws Raintight*

CAT. NO.	DESCRIPTION	UNIT QTY.	STD. CTN.	WT. LBS. PER 100
Switch Cover				
* CFST	Plunger style, switch Cover, box mount NEMA 3R	1	25	40
Switch Cover				
* CFSTF	Front lever, switch cover, Box mount NEMA 4	1	25	40
Blank Cover				
* CFSB	Blank cover, box mount, NEMA 3R	20	100	14

*Raintight when used with appropriate Thomas & Betts boxes.



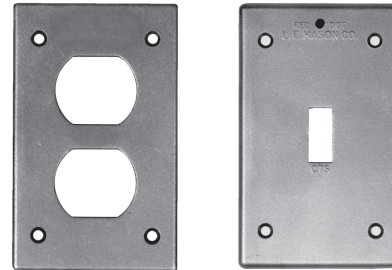
CFST

CFSTF

CFSB

Single-Gang Covers Complete with Gasket and Screws

CAT. NO.	DESCRIPTION	UNIT QTY.	STD. CTN.	WT. LBS. PER 100
For Duplex Receptacle				
CDR	Duplex receptacle cover, box mount	20	100	11
For Switches				
CTS	Switch cover, box mount	20	100	14



CDR

CTS

Single-Gang Covers Complete with Gasket and Screws

CAT. NO.	NOMINAL SIZE	MAX. DEVICE FACE DIA.	UNIT QTY.	STD. CTN.	WT. LBS. PER 100
For Single Receptacles (Box Mount Only)					
CRL	1 1/8"	1.600"	20	100	12
CRS	1 3/8"	1.395"	20	100	12
CRX-L	2 1/8"	2.145"	20	100	12



CR Series

Gasket for Single-Gang Covers

CAT. NO.	DESCRIPTION	STD. CTN.	WT. LBS. PER 100
Gasket			
FS-GKV	Composition gasket	100	2



FS-GKV

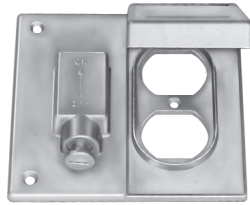
Red-Dot® Weatherproof Boxes and Covers

Industrial Grade Weatherproof Covers

Red•Dot® Weatherproof Boxes and Covers



2CWPRM



2CWTPDR



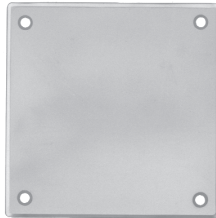
2CWPR-M



2CFSR-M



2CFST



2CFSB



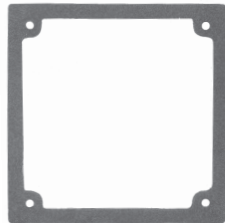
2CDR



2CTS



2CTDR



2FS-GKV

Two-Gang Covers Complete with Gasket and Screws Raintight*

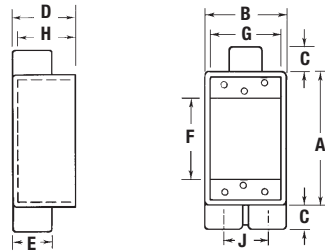
CAT. NO.	DESCRIPTION	UNIT QTY.	STD. CTN.	WT. LBS. PER 100
Duplex Receptacles				
* 2CWTPDR	Two duplex receptacle cover with 2 spring doors, device mount	1	10	48
For Switch and Duplex Receptacle				
* 2CWTPDR	Switch and duplex receptacle cover, box/device mount	1	10	48
For Single Receptacle				
* 2CWPR-M	Single receptacle cover, hole dia. 2 1/4", device mount	1	10	48
* 2CFSR-M	Single receptacle cover, hole dia. 2 1/4", box mount	1	10	48
For Two Switches				
* 2CFST	Plunger style switch cover, box mount	1	10	26
Blank				
* 2CFSB	Blank cover, box mount	10	50	25

*Raintight when used with appropriate Thomas & Betts boxes.

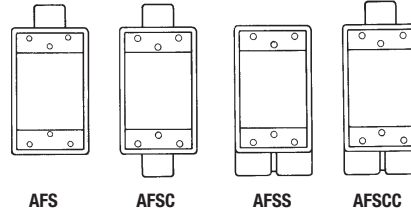
Two-Gang Covers Complete with Gasket and Screws

CAT. NO.	DESCRIPTION	UNIT QTY.	STD. CTN.	WT. LBS. PER 100
For Two Duplex Receptacles				
2CDR	Two duplex receptacle cover, device mount	10	50	24
For Two Switches				
2CTS	Switch cover, device mount	10	50	24
For Switch and Duplex Receptacles				
2CTDR	Switch and duplex receptacle cover, device mount	10	50	24
Gasket				
2FS-GKV	Composition gasket		50	3

Dimensions and Cubic Inches — (CI) Single-Gang Boxes



AFS, AFSC, AFSS, AFSCC



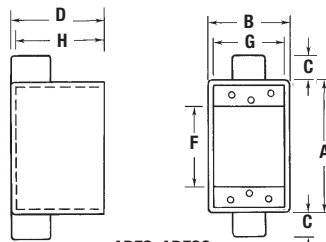
AFS

AFSC

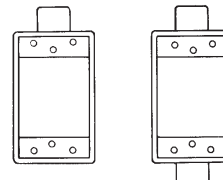
AFSS

AFSCC

CAT. NO.	HUB SIZE	A	B	C	D	E	F	G	H	J	CI
AFS-1	1/2"	4 9/16	2 13/16	1 3/16	2 1/16	1 1/8	2 7/8	2 5/16	1 15/16	—	21.6
AFS-2	3/4"	4 9/16	2 13/16	1 3/16	2 1/16	1 11/16	2 7/8	2 5/16	1 15/16	—	21.6
AFS-3	1"	4 9/16	2 13/16	1 3/16	2 1/16	1 11/16	2 7/8	2 5/16	1 15/16	—	21.6
AFSC-1	1/2"	4 9/16	2 13/16	1 3/16	2 1/16	1 1/8	2 7/8	2 5/16	1 15/16	—	21.6
AFSC-2	3/4"	4 9/16	2 13/16	1 3/16	2 1/16	1 11/16	2 7/8	2 5/16	1 15/16	—	21.6
AFSC-3	1"	4 9/16	2 13/16	1 3/16	2 1/16	1 11/16	2 7/8	2 5/16	1 15/16	—	21.6
AFSS-1	1 1/2"	4 9/16	2 13/16	1 3/16	2 1/16	1 3/8	2 7/8	2 5/16	1 15/16	1 1/2	21.6
AFSS-2	3/4"	4 9/16	2 13/16	1 3/16	2 1/16	1 3/8	2 7/8	2 5/16	1 15/16	1 1/2	21.6
AFSCC-1	1/2"	4 9/16	2 13/16	1 3/16	2 1/16	1 3/8	2 7/8	2 5/16	1 15/16	1 1/2	21.6
AFSCC-2	3/4"	4 9/16	2 13/16	1 3/16	2 1/16	1 3/8	2 7/8	2 5/16	1 15/16	1 1/2	21.6



ADFS, ADFSC



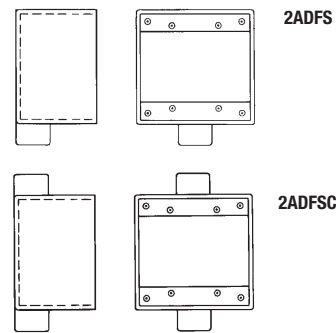
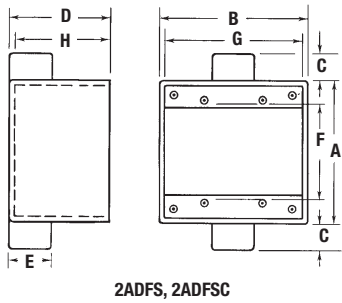
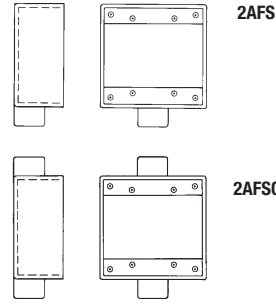
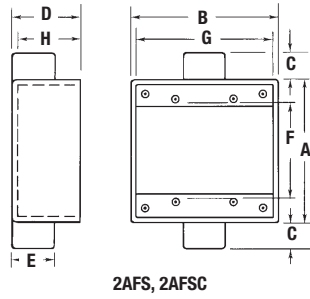
ADFS

ADFSC

CAT. NO.	HUB SIZE	A	B	C	D	E	F	G	H	CI
ADFS-1	1/2"	4 9/16	2 13/16	7/8	3 3/16	1 1/8	2 7/8	2 5/16	2 15/16	31.3
ADFS-2	3/4"	4 9/16	2 13/16	7/8	3 3/16	1 11/16	2 7/8	2 5/16	2 15/16	31.3
ADFS-3	1"	4 9/16	2 13/16	7/8	3 3/16	1 11/16	2 7/8	2 5/16	2 15/16	31.3
ADFSC-1	1 1/2"	4 9/16	2 13/16	7/8	3 3/16	1 1/8	2 7/8	2 5/16	2 15/16	31.3
ADFSC-2	3/4"	4 9/16	2 13/16	7/8	3 3/16	1 11/16	2 7/8	2 5/16	2 15/16	31.3
ADFSC-3	1"	4 9/16	2 13/16	7/8	3 3/16	1 11/16	2 7/8	2 5/16	2 15/16	31.3

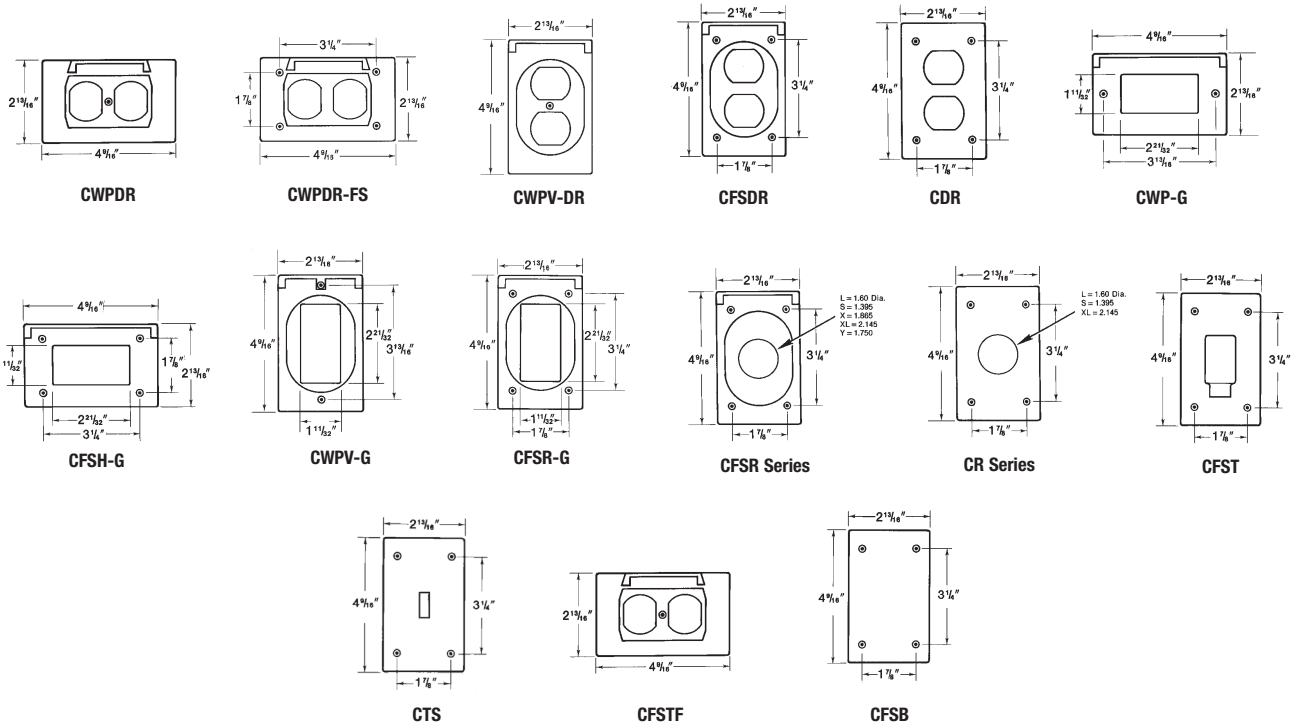
Dimensions and Cubic Inches (CI) — Two-Gang Boxes

Red•Dot® Weatherproof Boxes and Covers

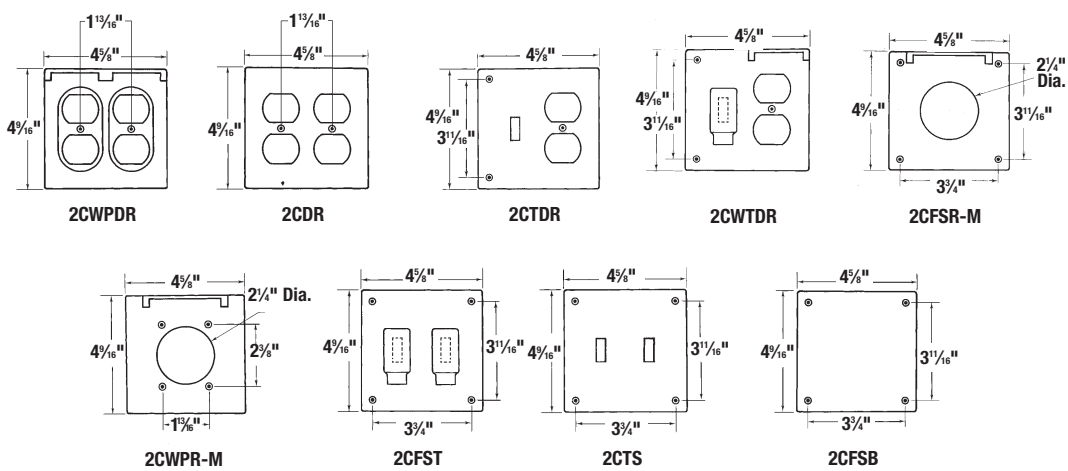


CAT. NO.	HUB SIZE	A	B	C	D	E	F	G	H	CI
2AFS-1	1/2"	4 1/16	4 5/8	1 3/16	2 1/16	1 3/8	2 7/8	4 3/8	1 1/16	36.0
2AFS-2	3/4"	4 1/16	4 5/8	1 3/16	2 1/16	1 3/8	2 7/8	4 3/8	1 1/16	36.0
2AFS-3	1"	4 1/16	4 5/8	7/8	2 1/16	1 11/16	2 7/8	4 3/8	1 1/16	36.0
2AFSC-1	1/2"	4 1/16	4 5/8	1 3/16	2 1/16	1 3/8	2 7/8	4 3/8	1 1/16	36.0
2AFSC-2	3/4"	4 1/16	4 5/8	1 3/16	2 1/16	1 3/8	2 7/8	4 3/8	1 1/16	36.0
2ADFS-1	1/2"	4 1/16	4 5/8	1 3/16	3 3/32	1 3/8	2 7/8	4 3/8	20	54.0
2ADFS-2	3/4"	4 1/16	4 5/8	1 3/16	3 3/32	1 3/8	2 7/8	4 3/8	20	54.0
2ADFS-3	1"	4 1/16	4 5/8	7/8	3 3/32	1 11/16	2 7/8	4 3/8	20	54.0
2ADFSC-2	3/4"	4 1/16	4 5/8	1 3/16	3 3/32	1 3/8	2 7/8	4 3/8	20	54.0
2ADFSC-3	1"	4 1/16	4 5/8	7/8	3 3/32	1 11/16	2 7/8	4 3/8	20	54.0

Dimensions — Single-Gang Covers



Dimensions — Two-Gang Covers



Round Boxes, Extensions and Covers

Applications:

- Junction for branch conduits
- Spacious, accessible wiring chamber provides a convenient location to maintain or change a system, pull conductors and make splices

Features/Benefits:

- Copper-free* aluminum provides increased corrosion resistance
- Precision cast and machined surfaces permit safer wire pulling
- Clean cover edges provide good gasket sealing.
- Precision NPT threads allow trouble-free field installation for rigid, IMC or EMT conduit
- Deep-slotted stainless steel cover screws for faster installation
- Clear UL® and cubic content markings speed approval by inspectors

Standard Materials:

- S Boxes — Die cast aluminum alloy A380
- SS-B Cover — Stamped aluminum
- Gaskets: Composition

Standard Finish:

- Powder coated finish

Compliances:

- UL Listed
- Federal Spec. W-C-586B

Sample Specifications:

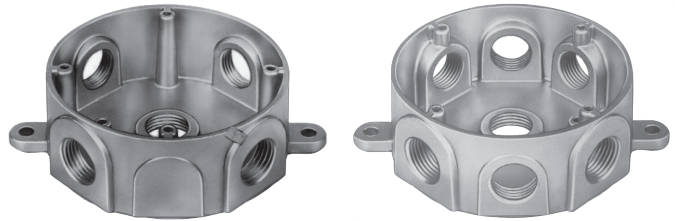
- Outlet boxes and covers shall be die cast copper-free* aluminum alloy A380 ("S"). Outlet boxes and covers shall be finished with powder coated paint

Outlet boxes and covers shall be Red•Dot®.

Catalog No. _____

* Less than .004 copper content.

** S Boxes — Die cast aluminum alloy A380.



Boxes

CAT. NO.	COLOR	HUB SIZE	DESCRIPTION
Five Outlets, 4 1/8" Diameter			
S-47	Silver	1/2"	5 outlets, cast
S-47-CFB	Silver	1/2"	Ceiling fan box and cover rated for 50 lb. fixture or 35 lb fan
S-48	Silver	3/4"	Mounting lugs, 4 closure plugs
S-48-CFB	Silver	3/4"	Ceiling fan box and cover rated for 50 lb. fixture or 35 lb fan
D-PAK™ *			
DS-47	Silver	1/2"	
DS-47-BR	Bronze	1/2"	
DS-47-WH	White	1/2"	
DS-48	Silver	3/4"	
DS-48-BR	Bronze	3/4"	
DS-48-WH	White	3/4"	
DS-47-B		1/2"	With blank cover
DS-48-B		3/4"	With blank cover
Seven Outlets, 4 1/8" Diameter			
S-71	Silver	1/2"	7 outlets, cast mounting lugs, 4 closure plugs

4 1/2" Round Extensions



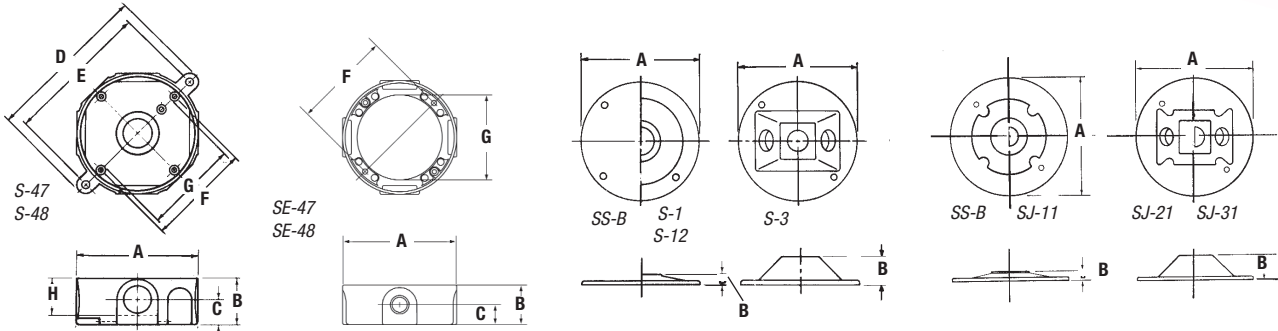
CAT. NO.	COLOR	HUB SIZE	DESCRIPTION
Four Outlets, 4 1/8" Diameter, 1 5/8" Deep			
SE-47	Silver	1/2"	4 outlets
SE-48	Silver	3/4"	4 closure plugs, gasket and screws

NOTE: Boxes are Raintight when used with appropriate Red•Dot® boxes.

All covers packed with gasket and screws.

*See pages D-56–D-58 for complete D-PAK™ assortment.

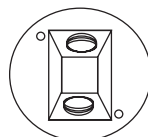
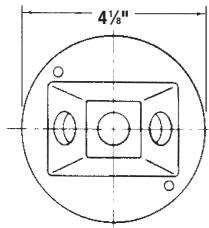
Outlet Boxes, Extensions



CAT. NO.	HUB SIZE	A	B	C	D	E	F	G	H	CI
S-47	1/2"	4 1/8	1 1/8	3/4	5 1/16	4 15/16	3 1/2	3 3/8	1 1/4	17.0
SE-47	1/2"	4 1/8	1 1/8	1 1/16	—	—	3 1/2	3 1/16	—	18.3
S-71	1/2"	4 1/8	1 1/8	3/4	5 9/16	4 15/16	3 1/2	3 3/8	1 1/4	16.3
S-48	3/4"	4 1/8	1 1/8	7/8	5 9/16	4 15/16	3 1/2	3 3/8	1 1/4	17.0
SE-48	3/4"	4 1/8	1 5/8	1 1/16	—	—	3 1/2	3 1/16	—	18.3
SS-B	—	4 1/8	3/64	—	—	—	—	—	—	—
S-1	1/2"	4 1/8	1 3/32	—	—	—	—	—	—	—
S-12	3/4"	4 1/8	3/8	—	—	—	—	—	—	—
S-3	1/2"	4 1/8	1 1/16	—	—	—	—	—	—	—
SS-B	—	4 1/2	3/8	—	—	—	—	—	—	—
SJ-11	1/2"	4 1/2	3/8	—	—	—	—	—	—	—
SJ-21	1/2"	4 1/2	1	—	—	—	—	—	—	—
SJ-31	1/2"	4 1/2	1	—	—	—	—	—	—	—

Round Lampholder Covers

- Heavy-duty die cast construction
- Powder Coat finish in silver gray, bronze or white
- Three-hole cover is supplied with a 1/2" closure plug
- Supplied with sealing gasket and cover screw



Y2

CAT. NO.	NO. OF OUTLET HOLES	FINISH	STD. CTN.
S-1-RD	1	Silver gray	25
DSS-1-BR	1	Bronze	25
DSS-1-WH	1	White	25
Y2-PL	2	Silver gray	25
S-3-RD	3	Silver gray	25
DSS-3-BR	3	Bronze	25
DSS-3-WH	3	White	25

UL® Listed E-51763.

CSA Certified LR-18685.

Round Blank Covers



CAT. NO.	COLOR	DESCRIPTION
4 1/8" Diameter		
SS-B	Silver	Weatherproof cover with gasket and screws
5" Diameter		
CCRSB	White	Mounting holes 2 3/4" on center (not raintight)
CCRB	White	Mounting holes 3 1/2" on center (not raintight)
D-PAK™ *		
DCCRB	White	

NOTE: Boxes are raintight when used with appropriate Red•Dot® boxes.

All covers packed with gasket and screws.

* See pages D-56-D-58 for complete D-PAK® assortment.

Lampholders, Garden Lights and Accessories

Applications:

- Security and general outdoor lighting fixture for residential and commercial applications
- Accent lighting fixture for highlighting outdoor signs and architectural details
- Compact outdoor lighting fixture which can be mounted easily in most places and can be aimed in any direction

Features/Benefits:

- Clean lines and precision manufacturing result in a fixture which will enhance any application
- High-quality replaceable porcelain socket with high-temperature leads allow for easy field maintenance
- Positive locking mounting arm keeps fixture in aimed position to reduce costly call-backs
- Ground screw boss in arm

Standard Materials:

- Fixture: Certified die cast zinc alloy ZAMAK 3
- Gasket: Heat resistant composition or high-temperature silicone
- Socket: Center contact, porcelain, medium base

Standard Finish:

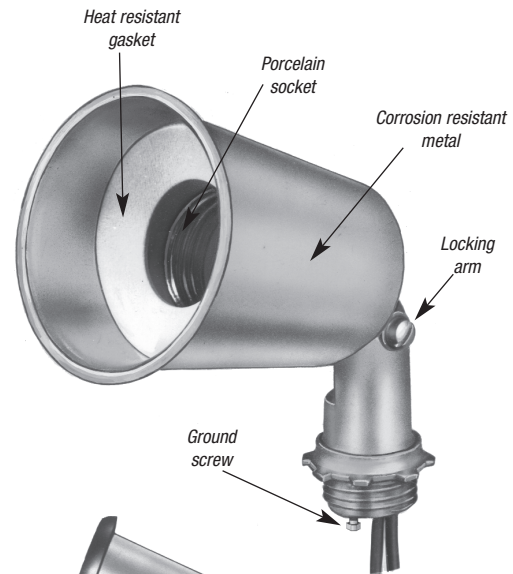
- Powder coated finish
- Chrome plated zinc

Compliances

- UL® Listed
- Suitable for use in wet locations

Sample Specifications:

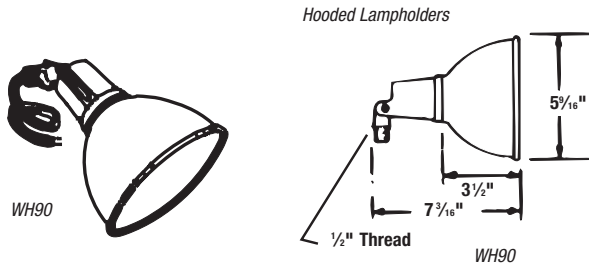
Lampholders shall be certified die cast zinc alloy ZAMAK 3. Lampholder will have positive locking mounting arm and replaceable socket. Fixture shall be Red•Dot® Dry-tite®. Catalog No. _____ for use with _____ watt incandescent lamp.



Use with Medium Base Par Lamps to 150 Watts.

Lampholders and Assemblies

Hooded Lampholders



- Heavy-duty die cast zinc lampholder
- Corrosion resistant aluminum hood
- Factory provided with a 3-wire, 8" prestripped lead

CAT. NO.	DESCRIPTION	STD. CTN.
WH90	Silver gray, 5 1/2" diameter hood	6
WH90-WH	White, 5 1/2" diameter hood	6

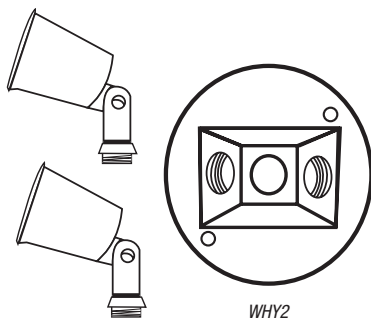
Universal Lampholders

- Heavy-duty die cast zinc construction
- Supplied with captive lamp sealing gasket
- Current carrying components are copper or copper alloy materials and sockets are porcelain
- Factory provided with a 2-wire, 8" prestripped lead
- Swivel arm has grounding boss
- Ground screw supplied

CAT. NO.	DESCRIPTION	COLOR	STD. CTN.
WHG-1	Weathershed series with heat resistant sealing gasket	Silver gray	36
WHUP-1	Inside gasket and ground screw	"Natural" color	36

UL® Listed E-42680

Lampholder Assemblies

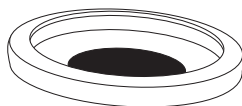


- Heavy-duty die cast zinc construction
- Powder coat finish in silver gray
- Completely factory assembled and factory prewired
- Surface mount to any 3" or 4" round outdoor box or flush mount to existing box

CAT. NO.	DESCRIPTION	STD. CTN.
WHY2	Two silver lamps, silver-gray cover	5

UL® Listed E-42680.

Gasket



CAT. NO.	DESCRIPTION	STD. CTN.
G1	Heat-resistant sealing gasket	100

Adapters

- Heavy-duty die cast construction
- Natural cast finish



CAT. NO.	DESCRIPTION	STD. CTN.
AD11-2	"Y" adaptor — converts one outlet to two — 1/2" threads	10

UL® Listed E-51763.

Round Lampholder Covers

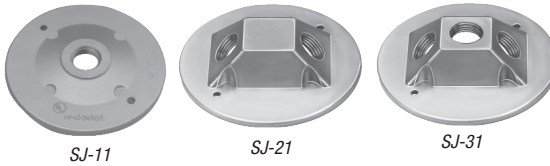
Standard Covers



CAT. NO.	COLOR	HUB SIZE	DESCRIPTION
Gasket and Screws, 4 1/4" Diameter			
S-1-RD	Silver	1/2"	One tapped hole
S-12	Silver	3/4"	One tapped hole
S-3-RD	Silver	1/2"	Three tapped holes
D-PAK® *			
DSS-1	Silver	1/2"	One tapped hole
DSS-1-BR	Bronze	1/2"	One tapped hole
DSS-1-WH	White	1/2"	One tapped hole
DSS-3	Silver	1/2"	Three tapped holes
DSS-3-BR	Bronze	1/2"	Three tapped holes
DSS-3-WH	White	1/2"	Three tapped holes
S-621-E			Universal gasket

* See pages D-56–D-58 for complete D-PAK® assortment.

Jumbo Covers

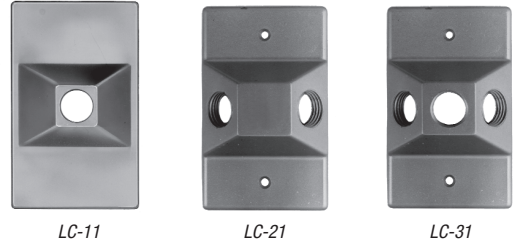


CAT. NO.	COLOR	HUB SIZE	DESCRIPTION
Gasket and Screws, 4 1/2" Diameter			
SJ-11	Silver	1/2"	One tapped hole
SJ-21	Silver	1/2"	Two tapped holes
SJ-31	Silver	1/2"	Three tapped holes

NOTE: Boxes are raintight when used with appropriate Red•Dot® boxes.

All covers packed with gasket and screws.

Single Gang Lampholder Covers



CAT. NO.	CAT. NO.	SIZE	DESCRIPTION
Standard (2 13/16" x 4 1/2")		Jumbo (3 1/8" x 5 1/8")	
LC-11	LF11	1/2"	One hole device mount
LC-21	—	1/2"	Two hole device mount
LC-31	LF31	1/2"	Three hole device mount
D-PAK® *			
DLC-31	Silver	1/2"	Three hole device mount
DLC-31-BR	Bronze	1/2"	Three hole device mount
DLC-31-WH	White	1/2"	Three hole device mount

Lampholders, Die Cast Zinc Zamak 3



CAT. NO.	COLOR	LAMP MAX.	DESCRIPTION
Standard			
L-80	Silver	150W • PAR 38 or R40	Inside gasket and ground screw
WHUP-1	Natural	150W • PAR 38 or R40	Inside gasket and ground screw
D-PAK® *			
DL-80	Silver		
DL-80-BR	Bronze		
DL-80-WH	White		
Gasketed			
L-80-D	Silver	150W • PAR 38 or R40	Heavy-duty slip-on gasket and ground screw
Deep-Shielded			
L-800		150W • PAR 38 or R40	Inside gasket and ground screw
Wireguard			
LG-80			Mounts to L-80 Series lampholder

* See pages D-56-D-58 for complete D-PAK® assortment.

Decorative Floodlight



CAT. NO.	COLOR	LAMP MAX.	DESCRIPTION
2L80D2	White	150W • PAR 38	Two lampholders round cover, or R40 inside ground screws
D-PAK® *			
D2L80S3	Silver		

* See pages D-56-D-58 for complete D-PAK® assortment.

Spike Lights

Portable Mount

For use with 150 Watt Lamp

- Lampholders heavy-duty die cast construction
- Lampholders Powder Coat silver gray finish
- Current carrying components are copper or copper alloy and sockets are porcelain
- Factory wired

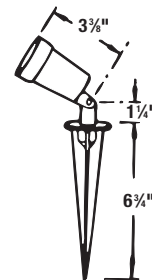
CAT. NO.	DESCRIPTION	STD. CTN.
WLS-10	Spike light with 10' cord	10

UL® Listed E-42680.

Portable Spotlights



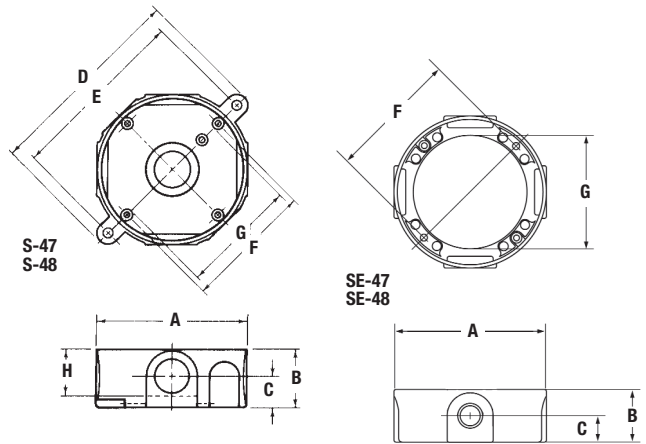
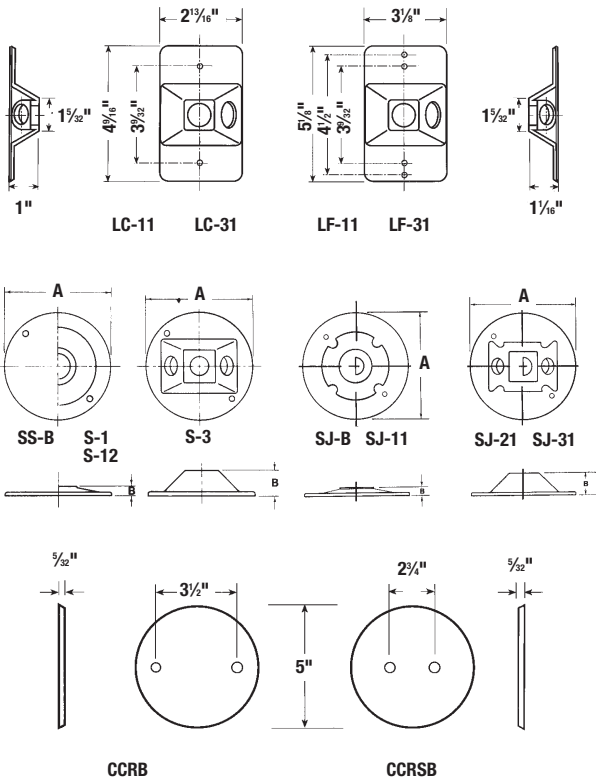
WLS-10



WLS-10

CAT. NO.	COLOR	LAMP MAX.	DESCRIPTION
K702	Silver	150W • PAR 38 or R40	Standard lampholder, ground spike, wall bracket, gasket, and screws
K780	Silver	150W • PAR 38 or R40	Deep-shielded lampholder, ground spike, wall bracket, gasket, and screws
K780BR	Bronze	150W • PAR 38 or R40	Standard lampholder, ground spike, wall bracket, gasket, and screws

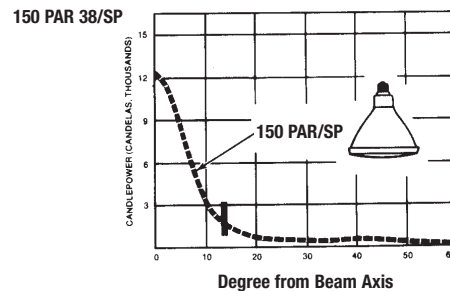
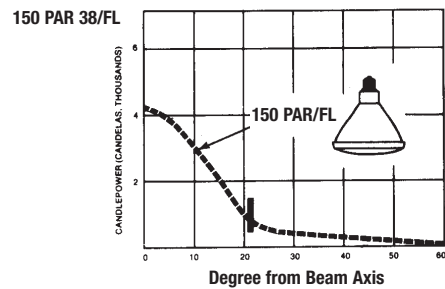
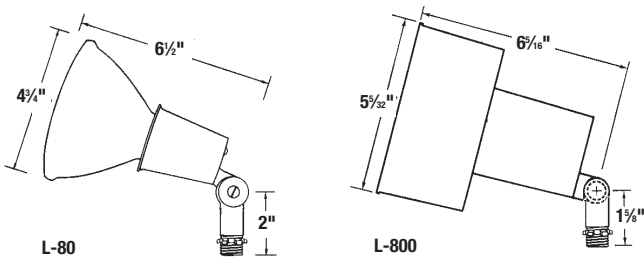
Dimensions in Inches



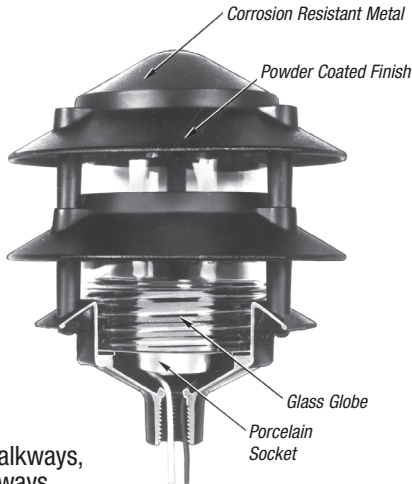
CAT. NO.	HUB SIZE	A	B	C	D	E	F	G	H	CI
S-47	1/2"	4 1/4	1 1/8	3/4	5 5/16	4 15/16	3 1/2	3 3/8	1 1/4	16.0
SE-47	1/2"	4 1/4	1 1/8	1	—	—	3 1/2	3 1/8	—	18.3
S-71	1/2"	4 1/4	1 1/8	3/4	5 5/16	4 15/16	3 1/2	3 3/8	1 1/4	16.0
S-48	3/4"	4 1/4	1 1/8	7/8	5 5/16	4 15/16	3 1/2	3 3/8	1 1/4	16.0
SE-48	3/4"	4 1/4	1 1/8	1 1/16	—	—	3 1/2	3 1/8	—	18.3
SS-B	—	4 1/4	3/16	—	—	—	—	—	—	—
S-1	1/2"	4 1/4	3/8	—	—	—	—	—	—	—
S-12	3/4"	4 1/4	3/8	—	—	—	—	—	—	—
S-3	1/2"	4 1/4	1	—	—	—	—	—	—	—
SJ-B	—	4 1/2	3/8	—	—	—	—	—	—	—
SJ-11	1/2"	4 1/2	3/8	—	—	—	—	—	—	—
SJ-21	1/2"	4 1/2	1	—	—	—	—	—	—	—
SJ-31	1/2"	4 1/2	1	—	—	—	—	—	—	—

Photometrics

Photometrics are strictly a function of the lamp used.



SiteLight® Landscape Lights



Applications

- Lighting for walkways, paths or driveways
- Accent lighting for garden and terrace areas
- Ground level security lighting

Features/Benefits

- Certified zinc alloy provides increased corrosion resistance
- High-quality replaceable porcelain socket with high-temperature leads enables for easy field maintenance

Standard Materials

- Fixture: Die cast zinc alloy ZAMAK 3
- Globe: Lime crystal glass
- Socket: Center contact, porcelain, medium base

Standard Finish

- Green powder coated finish
- Bronze powder coated finish

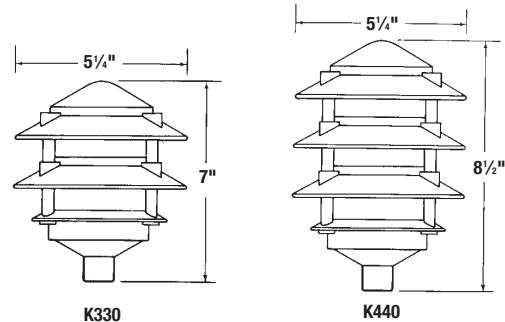
Compliances

- UL Listed
- Suitable for use in wet locations

Sample Specifications

Fixture shall be certified die cast zinc alloy ZAMAK 3. Socket shall be porcelain, center contact and replaceable. Socket shall have extended leads for easy wiring. Fixture shall be Red•Dot® Dry-tite.®

Catalog No. _____

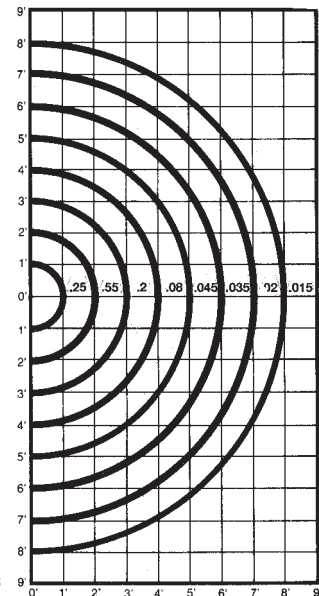


Photometrics:

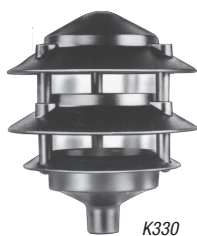
Based on lamp center
24" above ground

Based on 100 Watt A-19
inside frosted 1750 lumen
lamp. For other wattage
see table below.

Wattage	Multiplier
100	1.0
75	.68
60	.44
50	.27
40	.26
25	.13



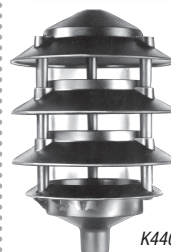
Three Tier



K330

CAT. NO.	COLOR	LAMP MAX.	DESCRIPTION
K330	Green	75W•	12" extended leads, gasket and ground
K330BR	Bronze		and ground screw globe
VGL-075			

Four Tier



K440

CAT. NO.	COLOR	LAMP MAX.	DESCRIPTION
K440	Green	100W•	12" extended leads, gasket and ground
K440BR	Bronze		and ground screw globe
VGL-01			

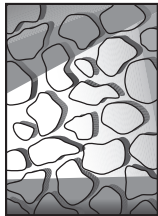
- Lamp not included

Step Up to SiteLight® Line Voltage Outdoor Lighting.

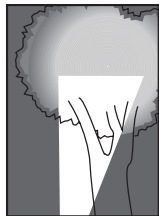
Planning your Outdoor Lighting

On graph paper outline your home and grounds. Indicate key features you wish to highlight such as stairways, statuary, shrubbery or flowering plants. SiteLight **Spot Lights** and **Swivel Lights** provide focused illumination to showcase these areas.

The diagrams below show how you can achieve three special lighting effects with SiteLight **Spot Lights** and **Swivel Lights**.



Grazing
from side or bottom
to show texture



Uplighting
from below makes
details stand out



Silhouetting
from behind
provides drama

For decks, **Post Sconce Lights** mounted on deck posts provide glare-free perimeter lighting and mid-stair lighting. **Post Top Lights** are ideal for lighting stairs and rails.

Use SiteLight **Path Lights** and **Swivel Lights** for pathways, driveways and general garden lighting. The chart below will help you determine fixture spacing.

BRIGHT & EVEN	MEDIUM DAPPLED	SOFT MOOD
8'-10'	12'-18'	Over 20'

SiteLights are permanent, all metal fixtures guaranteed for a lifetime.

SiteLight® Line Voltage Outdoor Lighting

For outdoor lighting, nothing compares to the full power (120V) and beauty of SiteLight. SiteLight uses regular household voltage and standard bulbs that are readily available. There are no expensive transformers to purchase or replace. With SiteLight, you can add fixtures when and where you want them and still enjoy lighting that is up to five times brighter than low voltage.

Use SiteLight to highlight gardens, statuary, shrubbery and to effectively light decks, stairs, pathways, pools and driveways. SiteLight meets every outdoor lighting need... from soft, indirect deck lighting, to brilliant, focused spot lighting. Use SiteLight to beautify your property while enhancing safety and security.

Step up to SiteLight line voltage outdoor lighting and add permanent value to your home.



Compare SiteLight to Low Voltage Sets

- SiteLight is up to 5 times brighter than low-voltage — more light with fewer fixtures than with low-voltage sets.
- SiteLight gives you flexibility in spacing, the number of fixtures and the length of run. Light where you need it. Low-voltage sets have a fixed limit on length of run and the number of fixtures
- SiteLight uses regular household current — no expensive low-voltage transformer to purchase or replace
- SiteLight uses readily available, standard bulbs. Low-voltage bulbs are often found only where sets are sold
- SiteLight lets you add on fixtures by tapping into run. Low-voltage sets will generate even less light if transformers are at capacity

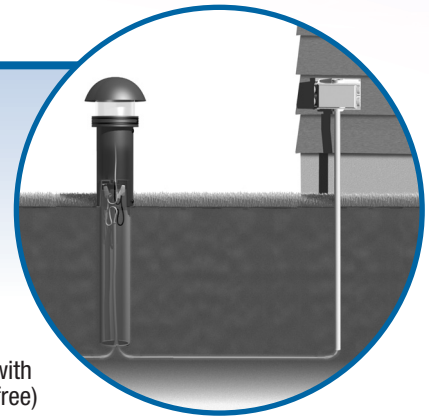
SiteLight Meets Every Outdoor Lighting Need

- From soft, indirect deck lighting to brilliant, focused spot lighting, use SiteLight to beautify any property while enhancing safety and security
- Lighting for walkways, pathways, and driveways
- Stairway, perimeter, and task lighting for decks
- Accent and ambient lighting for pool/patio and garden areas
- Highlighting to emphasize landscape details or specific objects
- Ground level safety/security lighting to illuminate dark areas

We've Made Installation Easy.

Everything you need is included in the SiteLight® Kit, except a bulb, supply cable and tools (screwdriver, wire strippers, etc.). Only three connections are required to wire each fixture to the supply cable. With SiteLight's PVC in-ground mounting tube, there is no need to pour concrete to secure the fixtures. Just position the tube and pack dirt around it. Attach your SiteLight to the mounting tube and your installation is complete.

SiteLights are designed for a lifetime of trouble-free use. SiteLight is high quality, permanent lighting built to add value and beauty to your home.



Red•Dot® Weatherproof Boxes and Covers

Applications

- Lighting for walkways, pathways and driveways
- Stairway, perimeter, and task lighting for decks
- Accent and ambient lighting for pool/patio and garden areas
- Highlighting to emphasize land-scape details or specific objects
- Ground level safety/security lighting to illuminate dark areas

Features/Benefits

- Copper-free* aluminum construction provides increased corrosion resistance
- Sturdy die cast aluminum construction provides durability
- Architectural bronze color blends into landscape and deck areas
- High quality, replaceable porcelain socket with brass screw shell (except K851BR, K852BR)
- Aluminum mounting tube cap houses and protects wire connection (ground installed fixtures)
- PVC ground tube provides an innovative installation method saving costly labor and traditional installation materials (ground installed fixtures)
- Wire connectors and ground wire allow safe, easy power connections
- Tempered glass lens and silicon gaskets keep socket dry (K831BR, CS841BR, K861BR)
- Positive locking arm can be adjusted to the desired position (K831BR, CS841BR, K861BR)
- Fixtures use regular household voltage (120V)

Standard Materials

- Fixture: Die cast aluminum alloy A360 with less than .004 copper content (copper free)
- Lens: Tempered glass (K831BR, CS841BR, K861BR)
- Lens: Polycarbonate (K811BR, K812BR, K821BR, K822BR, K851BR)
- Socket: Porcelain, center contact, brass screw shell, medium base (K811BR, K812BR, K821BR, K822BR, K831BR, CS841BR, K861BR), molded plastic socket with candelabra base (K851BR and K852BR)
- Mounting Tube: Gray PVC, schedule 40 (ground installed fixtures)

Standard Finish

- Bronze powder coated finish

Compliances

- UL® Listed
- Suitable for use in wet locations
- Ground mounting (suitable for use 4' or less above grade level) except K852BR and K861BR

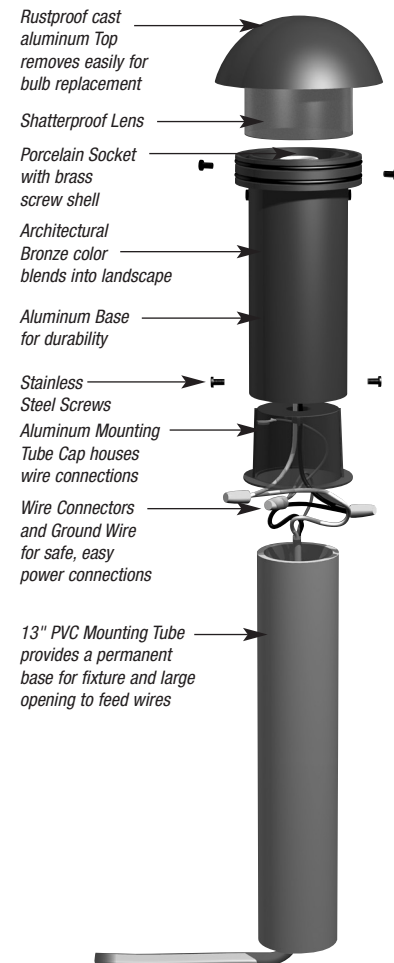
Sample Specifications

- Fixture shall be die cast copper-free* aluminum alloy A360, with bronze powder coated finish. Sockets shall be porcelain, center contact, brass screw shell-medium base for K811BR, K812BR, K821BR, K822BR, K831BR, K841BR and K861BR fixtures. Sockets shall be molded plastic with candelabra screw base for K851BR and K852BR fixtures. All sockets shall have extended leads for easy wiring
- * Less than .004 copper content.

Easy to Install

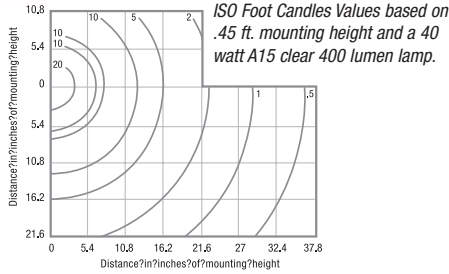
- Only 3 wire connections per fixture are required
- No need to pour concrete
- All connections are made above ground

Quality Construction

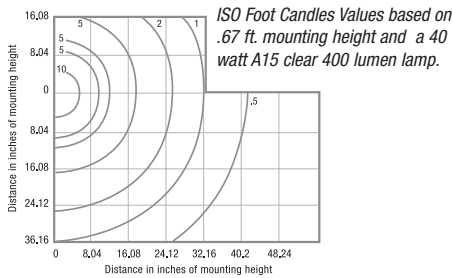




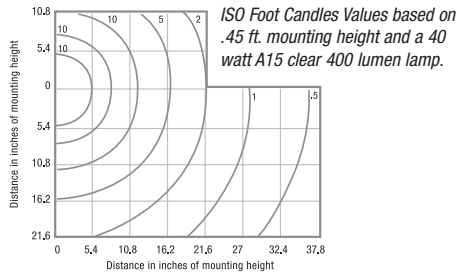
K811BR



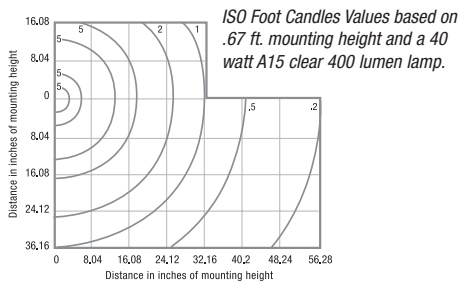
K812BR



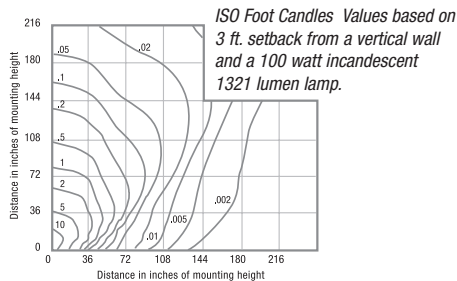
K821BR



K822BR



CS841BR



7.5" Path Light

See page D-38 for specifications

CAT. NO.	DESCRIPTION	LAMP REQUIRED	SPACING
K811BR	7.5" Path light with 13" x 2" schedule 40 PVC mounting tube	A15 40W (max.)/ 120V medium base	8'-10' Apart: bright and even, 12'-18' apart: medium dappled 20' or more: soft mood

10" Path Light

See page D-39 for specifications

CAT. NO.	DESCRIPTION	LAMP REQUIRED	SPACING
K812BR	10" Path light with 13" x 2" schedule 40 PVC mounting tube	A15 40W (max.)/ 120V medium base	8'-10' Apart: bright and even, 12'-18' apart: medium dappled 20' or more: soft mood

7.5" Path Light

See page D-40 for specifications

CAT. NO.	DESCRIPTION	LAMP REQUIRED	SPACING
K821BR	7.5" Path light with 13" x 2" schedule 40 PVC mounting tube	A15 40W (max.)/ 120V medium base	8'-10' Apart: bright and even, 12'-18' apart: medium dappled 20' or more: soft mood

10" Path Light

See page D-41 for specifications

CAT. NO.	DESCRIPTION	LAMP REQUIRED	SPACING
K822BR	7.5" Path light with 13" x 2" schedule 40 PVC mounting tube	A15 40W (max.)/ 120V medium base	8'-10' Apart: bright and even, 12'-18' apart: medium dappled 20' or more: soft mood

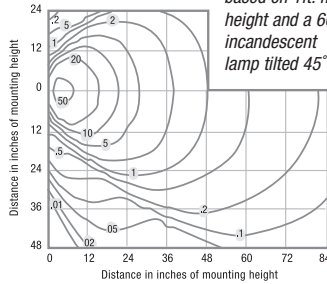
Ground Spot Light

See page D-44 for specifications

CAT. NO.	DESCRIPTION	LAMP REQUIRED	SPACING
CS841BR	Ground spot light with 13" x 2" schedule 40 PVC mounting tube	R20 100W (max.)/ 120V medium base	One to two for each object to be highlighted or as required for special lighting effects



K831BR



ISO Foot Candles Values based on 1ft. mounting height and a 60 watt A15 incandescent 740 lumen lamp tilted 45° degrees.

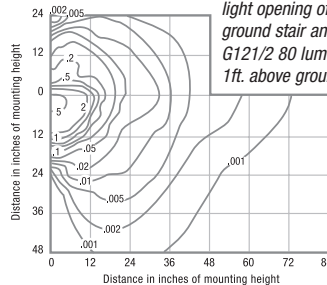
17.5" Swivel Light

See page D-42 for specifications

CAT. NO.	DESCRIPTION	LAMP REQUIRED	SPACING
K831BR	17.5" Swivel light with 13" x 2" schedule 40 PVC mounting tube	General lighting: A15 60W (max.)/ 120V medium base spot lighting: R16 60W (max.)/ 120V medium base	General lighting: 8'-10' apart: bright and even, 12'-18' apart: medium dappled 20' or more: soft mood. spot lighting: one to two for each object to be highlighted



K851BR



ISO Foot Candles Values based on 1-ft. mounting height from light opening of luminaire to ground stair and a 10 watt G121/2 80 lumen lamp on lens 1ft. above ground or stair.

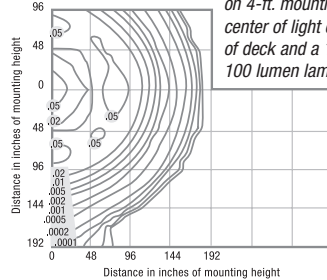
Post Sconce Light

See page D-45 for specifications

CAT. NO.	DESCRIPTION	LAMP REQUIRED	SPACING
K851BR	Post sconce light with metal back plate and mounting hardware	G12½ 10W (max.)/ 120V candelabra base	On each post or every other post depending on desired brightness. mounts to standard 4 x 4 post



K852BR



ISO Foot Candles Values based on 4-ft. mounting height from center of light opening to base of deck and a 15 watt G161/2 100 lumen lamp.

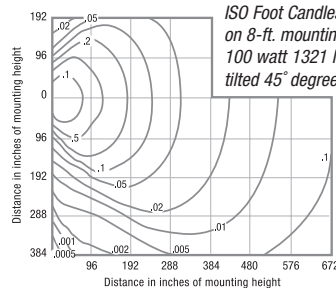
Post Top Light

See page D-46 for specifications

CAT. NO.	DESCRIPTION	LAMP REQUIRED	SPACING
K852BR	Post top light with metal back plate and mounting hardware	G12d 10W (ma.x)/ 120V candelabra base	On each post or every other post depending on desired brightness. mounts to standard 4 x 4 post



K861BR



ISO Foot Candles Values based on 8-ft. mounting height and a 100 watt 1321 lumen lamp tilted 45° degrees.

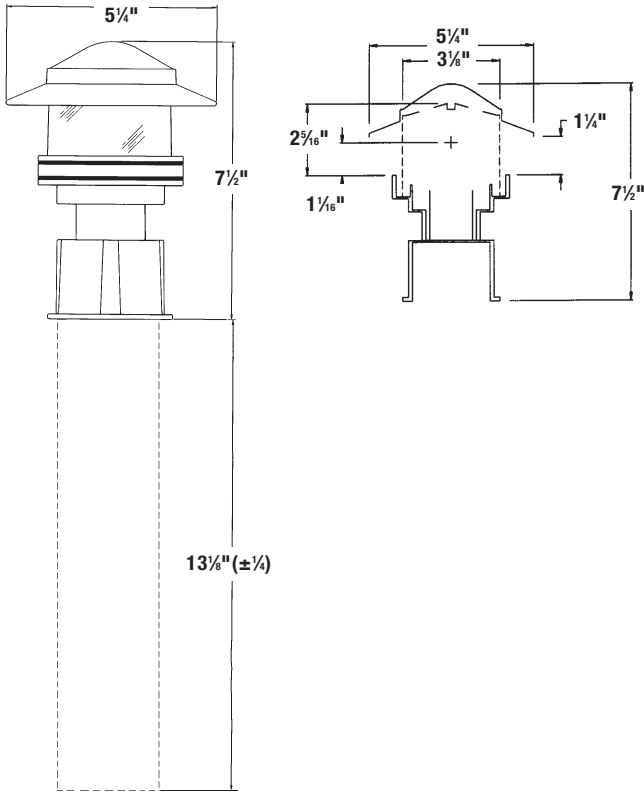
Wall Spot

See page D-43 for specifications

CAT. NO.	DESCRIPTION	LAMP REQUIRED	SPACING
K861BR	Wall spot with cover (box not included)	R20 100W (max.)/ 120V medium base	One to two on most average size decks or exterior walls

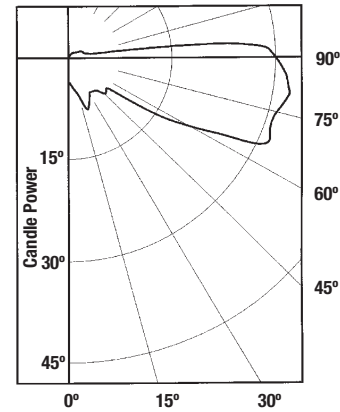
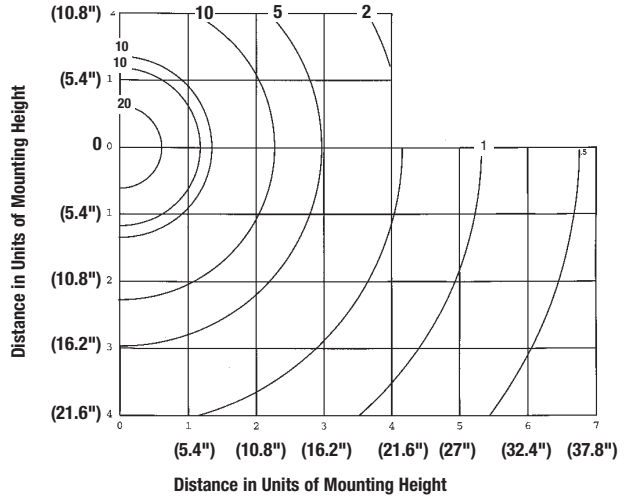
K811BR Specifications

Red•Dot® Weatherproof Boxes and Covers



ISO Foot Candles

Values based on .45 (5.4") foot mounting height and a 40 watt A15 clear 400 lumen lamp.



Zonal Lumen Summary

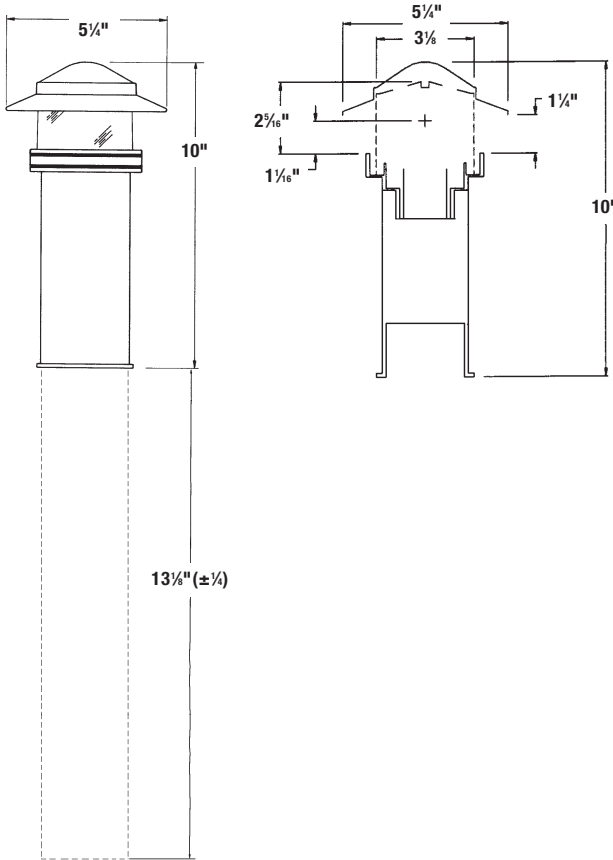
ZONE DEG.	LUMENS	% OF LAMP OUTPUT BASED ON 400 LUMENS	% OF TOTAL OUTPUT
0-30	5	1.4	3.6
0-40	9	2.3	6.2
0-60	26	6.4	17.1
0-90	121	30.2	80.7
90-120	26	6.5	17.4
90-130	27	6.8	18.3
90-150	29	7.2	19.3
90-180	29	7.2	19.3
0-180	150	37.4	100.0

Total Luminaire Efficiency = 37.4%

DEG	CANDELA	LUMENS
0	4	—
5	4	0
15	6	2
25	7	3
35	6	4
45	7	5
55	11	11
65	30	28
75	31	33
85	32	34

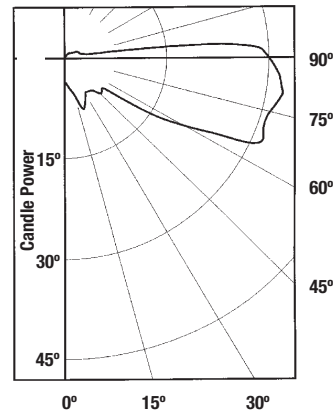
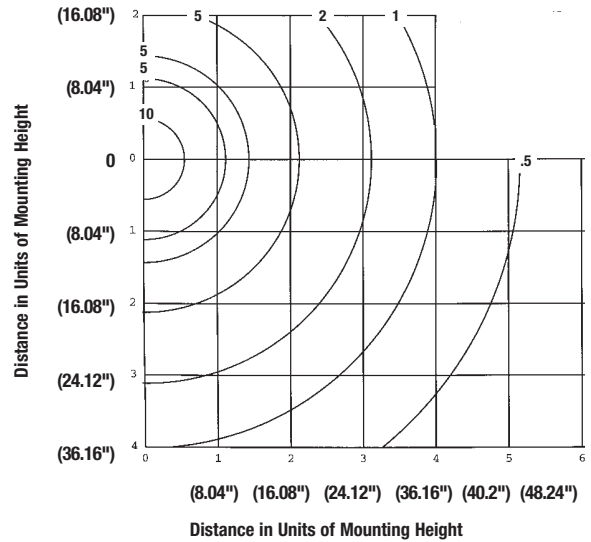
DEG	CANDELA	LUMENS
90	30	—
95	24	21
105	3	3
115	2	2
125	2	1
135	1	1
145	1	1
155	0	0
165	0	0
175	0	0
180	0	—

K812BR Specifications



ISO Foot Candles

Values based on .67 (8.04") foot mounting height and a 40 watt A15 clear 400 lumen lamp.



Zonal Lumen Summary

ZONE DEG.	LUMENS	% OF LAMP OUTPUT BASED ON 400 LUMENS	% OF TOTAL OUTPUT
0-30	5	1.4	3.6
0-40	9	2.3	6.2
0-60	26	6.4	17.1
0-90	121	30.2	80.7
90-120	26	6.5	17.4
90-130	27	6.8	18.3
90-150	29	7.2	19.3
90-180	29	7.2	19.3
0-180	150	37.4	100.0

Total Luminaire Efficiency = 37.4%

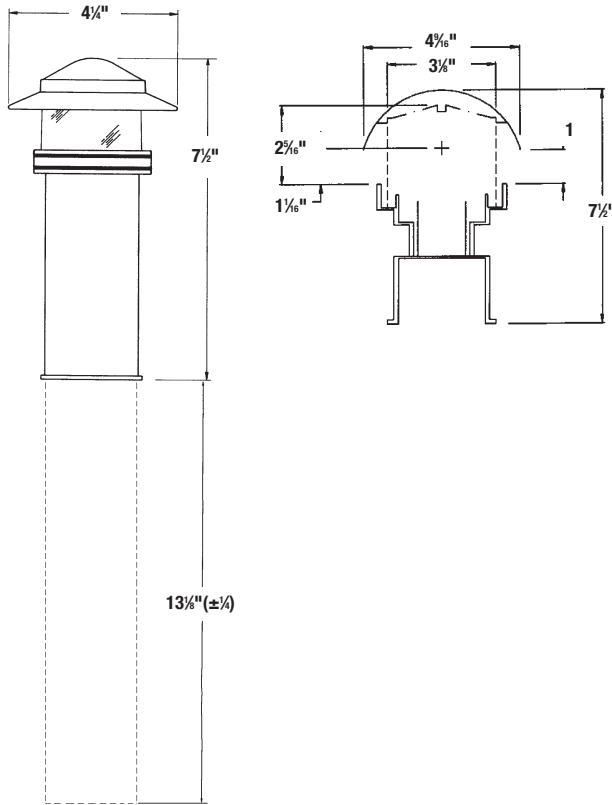
DEG.	CANDELA	LUMENS
0	4	—
5	4	0
15	6	2
25	7	3
35	6	4
45	7	5
55	11	11
65	30	28
75	31	33
85	32	34

DEG.	CANDELA	LUMENS
90	30	—
95	24	21
105	3	3
115	2	2
125	2	1
135	1	1
145	1	1
155	0	0
165	0	0
175	0	0
180	0	—

Red-Dot® Weatherproof Boxes and Covers

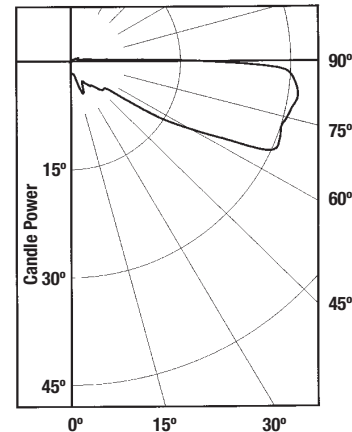
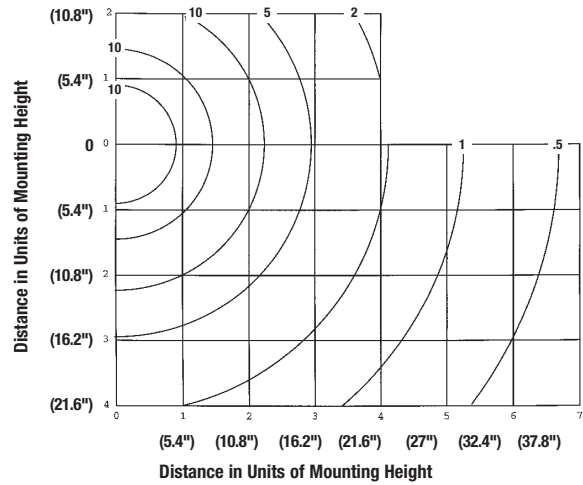
K821BR Specifications

Red•Dot® Weatherproof Boxes and Covers



ISO Foot Candles

Values based on .45 (5.4") foot mounting height and a 40 watt A15 clear 400 lumen lamp.



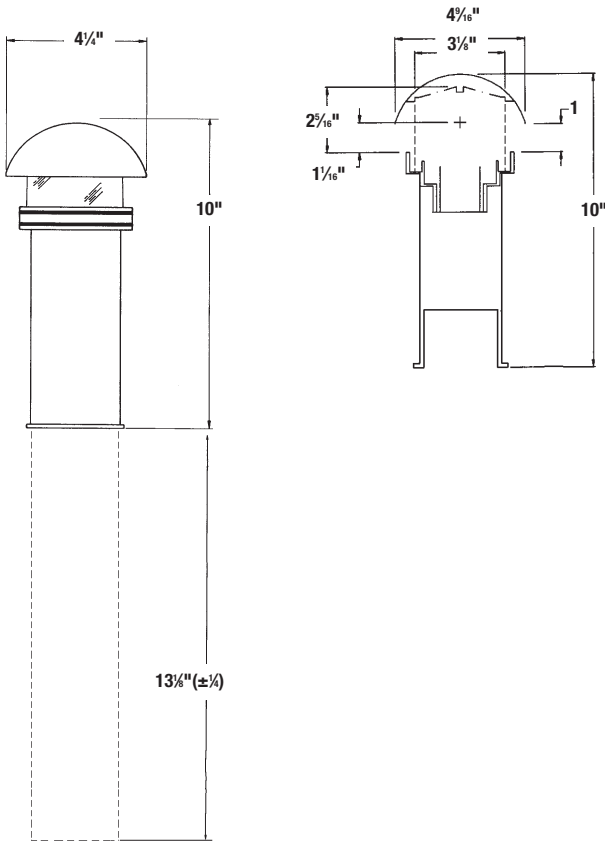
Zonal Lumen Summary

ZONE DEG.	LUMENS	% OF LAMP OUTPUT BASED ON 400 LUMENS	% OF TOTAL OUTPUT
0-30	3	0.7	2.4
0-40	5	1.3	4.5
0-60	19	4.8	16.3
0-90	111	27.8	94.6
90-120	6	1.5	5.2
90-130	6	1.6	5.4
90-150	6	1.6	5.4
90-180	6	1.6	5.4
0-180	118	29.4	100.0

Total Luminaire Efficiency = 29.4%

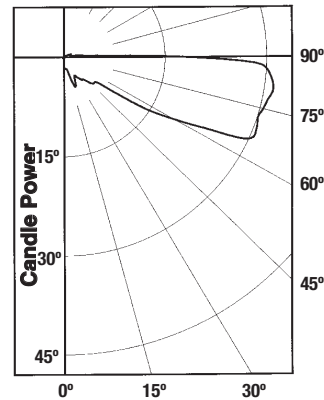
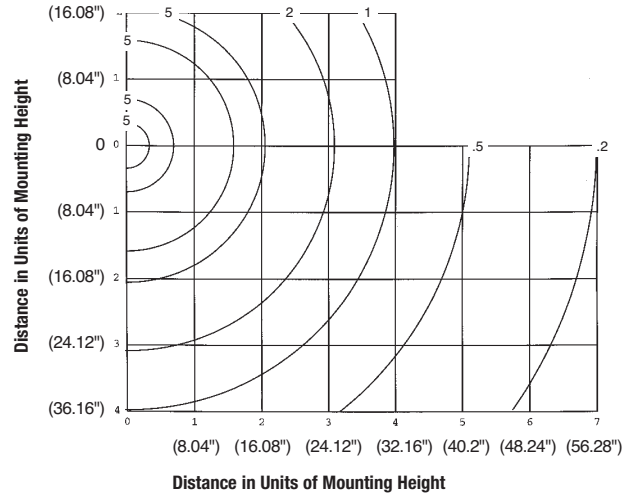
DEG.	CANDELA	LUMENS	DEG.	CANDELA	LUMENS
0	2	—	90	22	—
5	2	0	95	3	4
15	3	1	105	1	1
25	4	2	115	1	1
35	4	2	125	0	0
45	6	4	135	0	0
55	10	10	145	0	0
65	29	27	155	0	0
75	31	32	165	0	0
85	31	33	175	0	0
			180	0	—

K822BR Specifications



ISO Foot Candles

Values based on .67 (8.04") foot mounting height and a 40 watt A15 clear 400 lumen lamp.



Zonal Lumen Summary

ZONE DEG.	LUMENS	% OF LAMP OUTPUT BASED ON 400 LUMENS	% OF TOTAL OUTPUT
0-30	3	0.7	2.4
0-40	5	1.3	4.5
0-60	19	4.8	16.3
0-90	111	27.8	94.6
90-120	6	1.5	5.2
90-130	6	1.6	5.4
90-150	6	1.6	5.4
90-180	6	1.6	5.4
0-180	118	29.4	100.0

Total Luminaire Efficiency = 29.4%

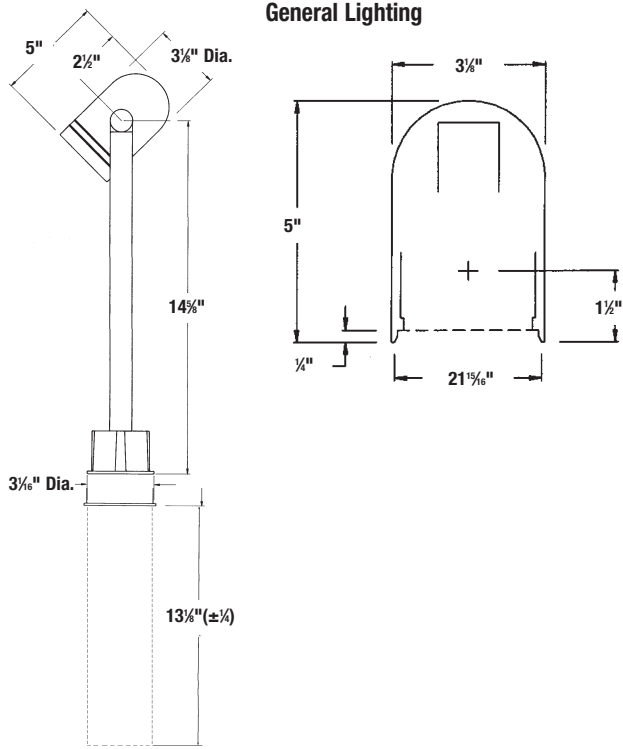
DEG	CANDELA	LUMENS
0	2	—
5	2	0
15	3	1
25	4	2
35	4	2
45	6	4
55	10	10
65	29	27
75	31	32
85	31	33

DEG	CANDELA	LUMENS
90	22	—
95	3	4
105	1	1
115	1	1
125	0	0
135	0	0
145	0	0
155	0	0
165	0	0
175	0	0
180	0	—

Red•Dot® Weatherproof Boxes and Covers

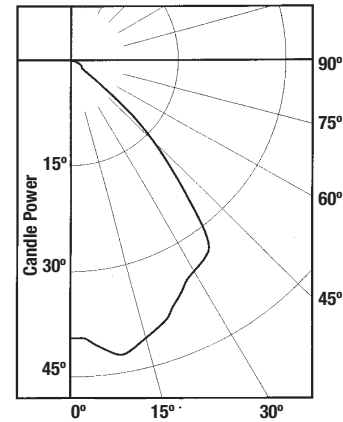
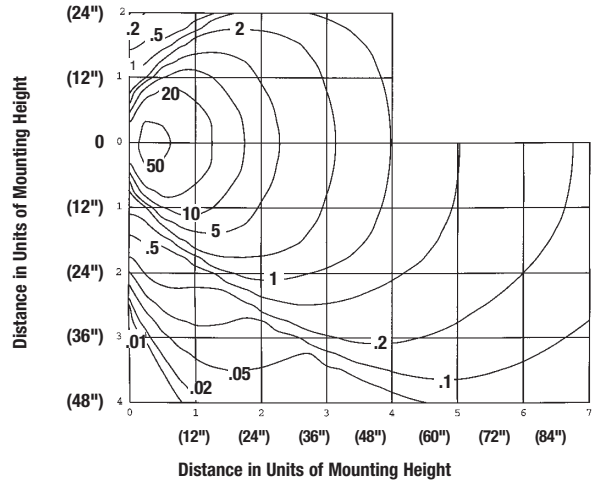
K831BR Specifications

Red•Dot® Weatherproof Boxes and Covers



ISO Foot Candles

Values based on 1 (12") foot mounting height and a 60 watt A15 incandescent 740 lumen lamp tilted 45°.



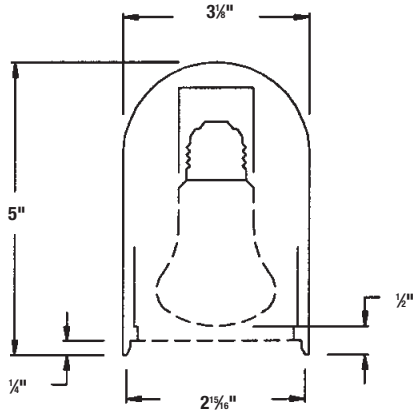
Zonal Lumen Summary

ZONE DEG.	LUMENS	% OF LAMP OUTPUT BASED ON 740 LUMENS	% OF TOTAL OUTPUT
0-30	65	8.7	47.2
0-40	105	14.2	77.0
0-60	134	18.1	97.7
0-90	137	18.5	100.0
90-180	0	0.0	0.0
0-180	137	18.5	100.0

Total Luminaire Efficiency = 18.5%

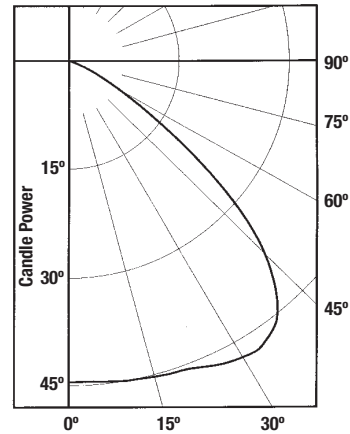
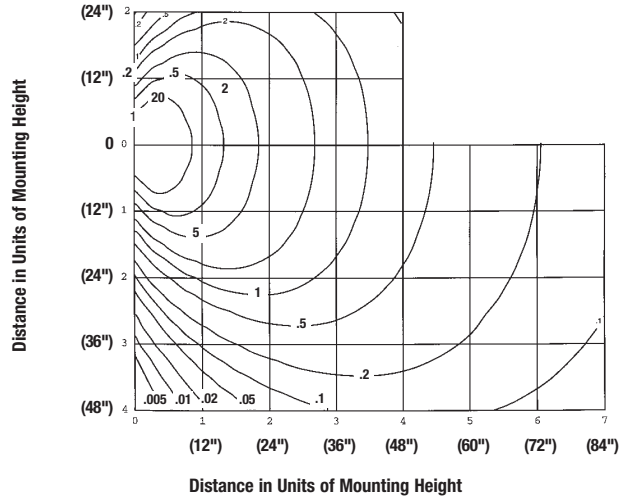
DEG	CANDELA	LUMENS
0	79	—
5	81	8
15	82	23
25	73	34
35	67	41
45	33	25
55	4	3
65	3	3
75	0	0
85	0	0
90	0	—

K861BR Specifications



ISO Foot Candles

Values based on 1 (12") foot mounting height and a 40 watt R16 incandescent 299 lumen lamp tilted 45°.



Zonal Lumen Summary

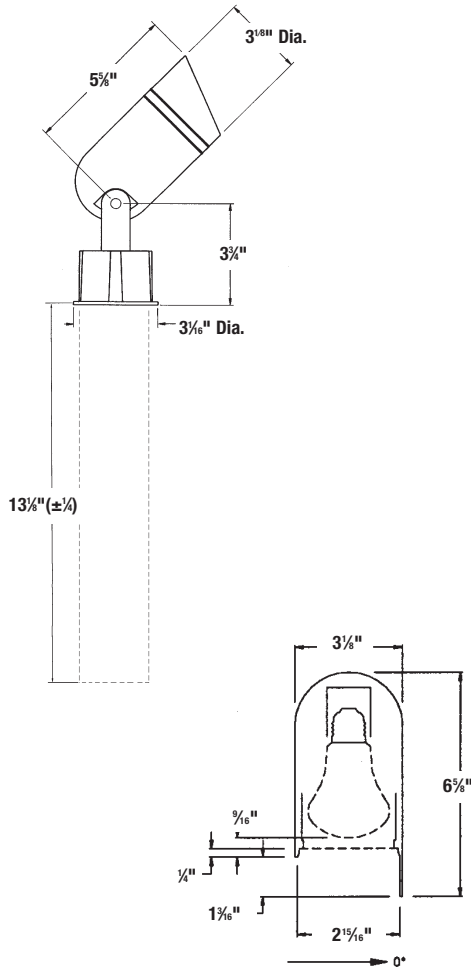
ZONE DEG.	LUMENS	% OF LAMP OUTPUT BASED ON 299 LUMENS	% OF TOTAL OUTPUT
0-30	39	12.9	33.5
0-40	68	22.8	58.9
0-60	111	37.2	96.2
0-90	116	38.7	100.0
90-180	0	0.0	0.0
0-180	116	38.7	100.0

Total Luminaire Efficiency = 38.7%

DEG	CANDELA	LUMENS
0	45	—
5	45	4
15	45	13
25	47	22
35	47	29
45	38	29
55	16	14
65	4	4
75	0	0
85	0	0
90	0	—

CS841BR Specifications

Red•Dot® Weatherproof Boxes and Covers



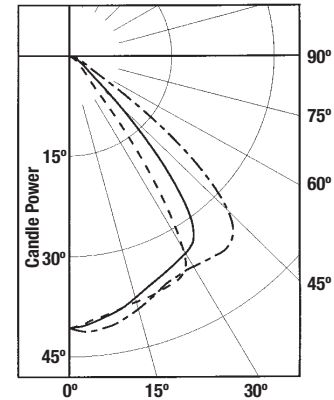
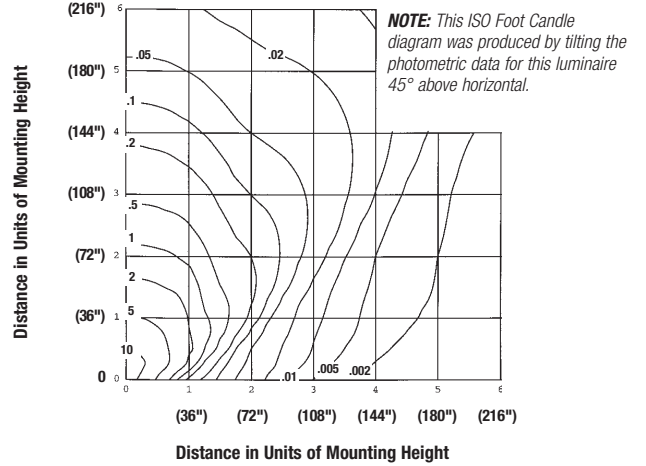
Zonal Lumen Summary

ZONE DEG.	LUMENS	% OF LAMP OUTPUT BASED ON 1321 LUMENS	% OF TOTAL OUTPUT
0-30	104	7.9	47.7
0-40	165	12.5	75.3
0-60	214	16.2	97.7
0-90	219	16.6	100.0
90-120	0	0.0	0.0
90-130	0	0.0	0.0
90-150	0	0.0	0.0
90-180	0	0.0	0.0
0-180	219	16.6	100.0

Total Luminaire Efficiency = 16.6%.

ISO Foot Candles

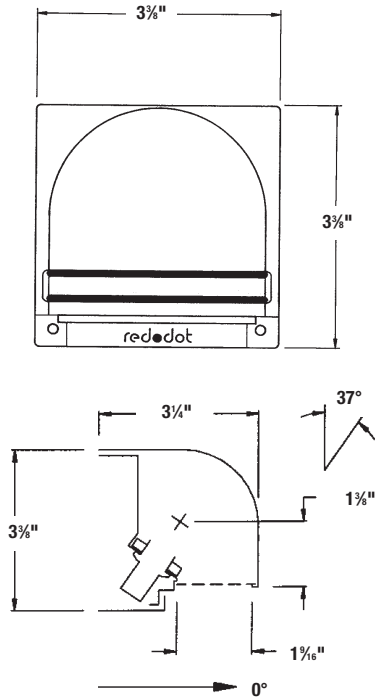
Values based on 3 (36") foot setback from a vertical wall and a 100 watt incandescent 1321 lumen lamp.



Legend
 0-Deg:
 90-Deg: _____
 180-Deg: - - - - -

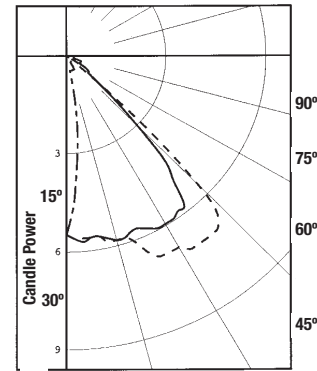
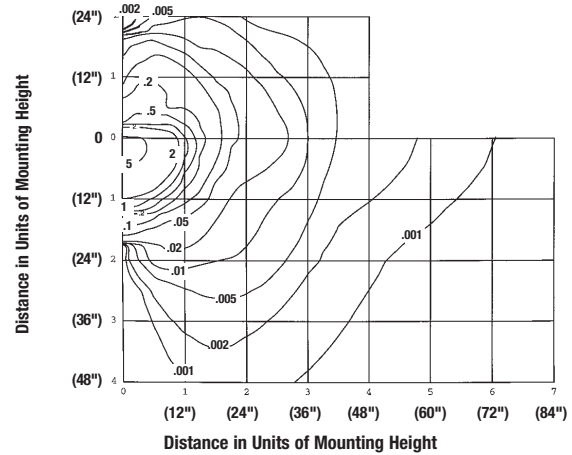
Vertical Degrees	CANDELA DISTRIBUTION HORIZONTAL DEGREES					FLUX
	0.0	45.0	90.0	135.0	180.0	
0	136	136	136	136	136	—
5	132	132	133	136	138	13
15	127	124	125	128	131	36
25	124	121	117	126	122	56
35	58	77	106	125	122	61
45	9	12	35	93	109	37
55	5	6	9	14	31	11
65	0	1	4	6	8	4
75	0	0	0	2	3	1
85	0	0	0	0	1	0
90	0	0	0	0	1	—

K851BR



ISO Foot Candles

Values based on 1 (12") foot mounting height from light opening of luminaire to ground stair and a 10 watt G121/2 80 lumen lamp on lens 1 foot above ground or stair.



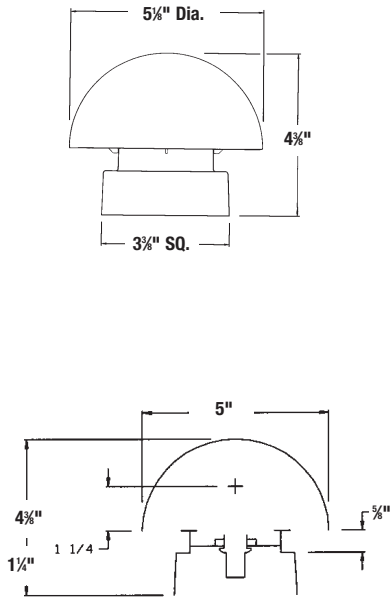
Zonal Lumen Summary

ZONE DEG.	LUMENS	% OF LAMP OUTPUT BASED ON 80 LUMENS	% OF TOTAL OUTPUT
0-30	4	4.5	38.7
0-40	6	7.7	66.3
0-60	9	11.0	94.3
0-90	9	11.6	100.0
90-180	0	0.0	0.0
0-180	9	11.6	100.0

Total Luminaire Efficiency = 11.6%.

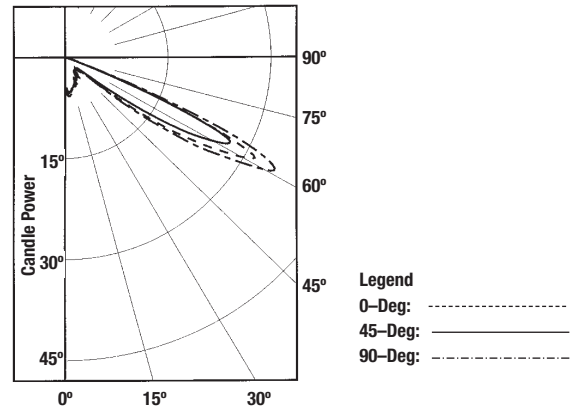
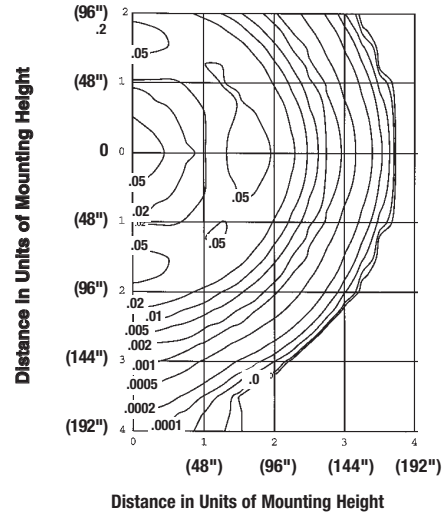
Vertical Degrees	CANDELA DISTRIBUTION HORIZONTAL DEGREES					FLUX
	0.0	45.0	90.0	135.0	180.0	
0	5	5	5	5	5	-
5	6	6	6	5	3	0
15	6	6	6	2	0	1
25	7	7	6	1	0	2
35	7	7	6	1	0	3
45	6	5	3	1	0	2
55	0	1	1	1	0	1
65	0	0	0	0	0	0
75	0	0	0	0	0	0
85	0	0	0	0	0	0
90	0	0	0	0	0	—

K852BR Specifications



ISO Foot Candles

Values based on 4 (48") foot mounting height from center of light opening to base of deck and a 15 watt G161/2 100 lumen lamp.



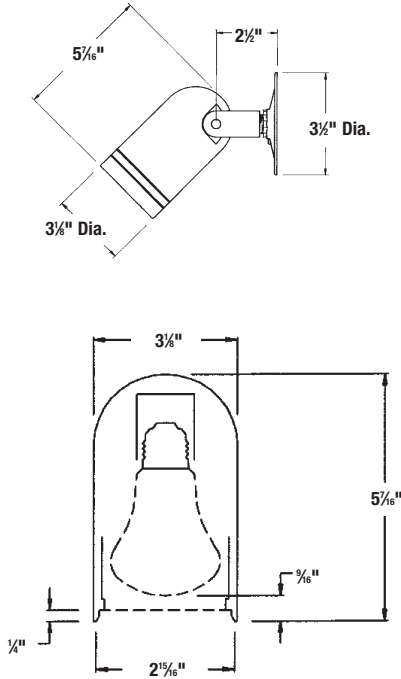
Zonal Lumen Summary

ZONE DEG.	LUMENS	% OF LAMP OUTPUT BASED ON 100 LUMENS	% OF TOTAL OUTPUT
0-30	1	0.9	8.7
0-40	1	1.3	12.8
0-60	5	5.5	52.7
0-90	10	10.4	100.0
90-180	0	0.0	0.0
0-180	10	10.4	100.0

Total Luminaire Efficiency = 10.4%.

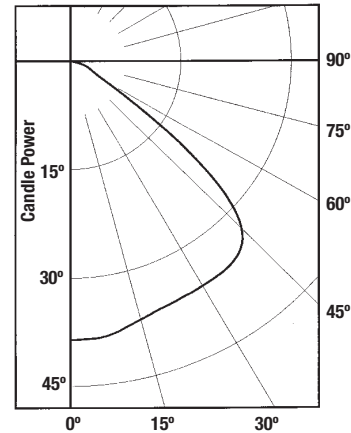
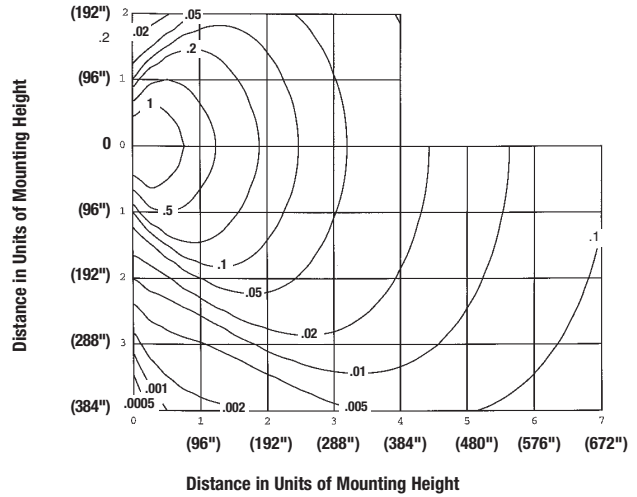
Vertical Degrees	CANDELA DISTRIBUTION HORIZONTAL DEGREES					FLUX
	0.0	45.0	90.0	135.0	180.0	
0	1	1	1	1	1	—
5	2	1	1	1	1	0
15	1	1	1	1	1	0
25	1	1	1	1	1	0
35	1	1	1	1	1	0
45	1	1	1	1	1	1
55	5	3	3	4	6	4
65	6	5	5	5	7	5
75	0	0	0	0	0	0
85	0	0	0	0	0	0
90	0	0	0	0	0	—

K861BR Specifications



ISO Foot Candles

Values based on 8 (96") foot mounting height and a 100 watt 1321 lumen lamp tilted 45°.



Zonal Lumen Summary

ZONE DEG.	LUMENS	% OF LAMP OUTPUT BASED ON 1321 LUMENS	% OF TOTAL OUTPUT
0-30	103	7.8	32.4
0-40	177	13.4	56.0
0-60	301	22.8	94.9
0-90	317	24.0	100.0
90-180	0	0.0	0.0
0-180	317	24.0	100.0

Total Luminaire Efficiency = 24.0%.

DEG.	CANDELA	LUMENS
0	128	—
5	128	12
15	123	35
25	120	56
35	119	75
45	109	83
55	44	41
65	11	11
75	5	5
85	0	0
90	0	—

Red-Dot® Weatherproof Boxes and Covers

Industrial Vaportight Lighting

Applications

- Low maintenance indoor/outdoor lighting where moisture, dirt, dust, corrosion and rough service are problems
- Low profile fixture design for where low ceiling height presents a lighting problem
- To light cold storage facilities, walkways, bridges, tunnels and security locations
- Used with colored globes as warning, caution or directional lights. For 100 or 200 watt medium base incandescent lamps

Features/Benefits

- Copper-free* aluminum and stainless steel screws provide increased corrosion resistance
- Precision cast and machined surfaces permit safer wire pulling
- Fully threaded glass globes prevent cross threading assuring a tight seal
- High quality replaceable porcelain socket with high temperature leads result in a long-lasting fixture
- Five mounting configurations packaged three different ways to suit all customer requirements
- Colored, heat resistant and shatterproof LEXAN® globes available

Standard Materials

- Fixture and guards: Die cast aluminum alloy A360 with less than .004 copper content (copper-free), and stainless steel screw
- Globe: Lime crystal glass
- Socket: Center contact, porcelain, medium base

Standard Finish

- Powder coated finish

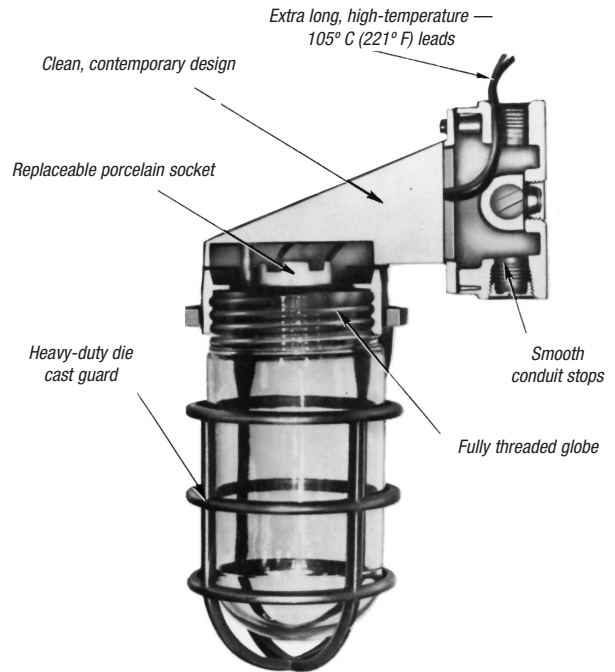
Compliances

- UL® Listed
- Suitable for use in wet locations only when oriented as shown. (mounted with lamp base up and guard/globe down)

Sample Specifications

- Fixture shall be die cast copper-free* aluminum alloy A360. All conduit stops shall be coined and free of rough edges. LEXAN® globes shall have full threads. Sockets shall be porcelain. Fixtures shall be finished with powder coated paint. Fixtures shall be Red•Dot® Catalog No. _____

* Less than .004 copper content.



VAG-C



VKG-C



VWG-C



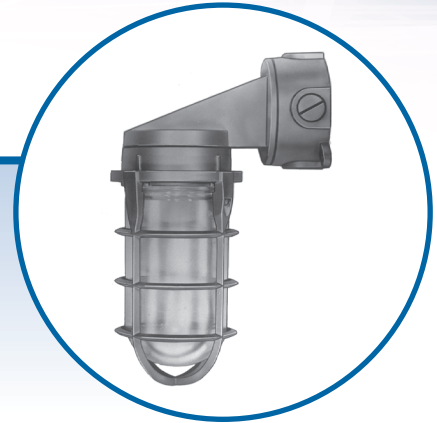
VXG-C



VXWG-C

Low Maintenance Indoor Lighting where Moisture, Dirt, Dust, Corrosion and Rough Service are a Problem.

- Compatible with incandescent and most self-ballasted compact fluorescent bulbs
- For indoor or outdoor use
- Fixture and guard die cast copper-free aluminum, less than .004 copper content
- Available in components or complete fixture
- Low silhouette incandescent vaportight
- Variety of mounting configurations
- UL® Listed

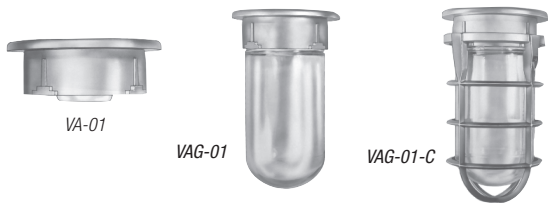


Pendant Mount



CAT. NO.	HUB SIZE	MAX. WATT	DESCRIPTION
VK-11	½"	100	Pendant cap with socket screw terminals, gasket and screws
VK-21	¾"	100	
VK-12	½"	200	Pendant cap with socket screw terminals, gasket screws and globe
VK-22	¾"	200	
VKG-11	½"	100	Pendant cap with socket screw terminals, gasket screws and globe
VKG-21	¾"	100	
VKG-12	½"	200	Pendant cap with socket screw terminals, gasket screws, globe and cast guard
VKG-22	¾"	200	
VKG-11-C	½"	100	Pendant cap with socket screw terminals, gasket screws, globe and cast guard
VKG-21-C	¾"	100	
VKG-12-C	½"	200	
VKG-22-C	¾"	200	

Ceiling Mount with Adapter Plate



CAT. NO.	HUB SIZE	MAX. WATT	DESCRIPTION
VA-01	—	100	Ceiling outlet box cap with socket with leads, gasket and screws
VA-02	—	200	
VAG-01	—	100	Ceiling outlet box cap with socket with leads, gasket, screws, and globe
VAG-02	—	200	
VAG-01-C	—	100	Ceiling outlet box cap with socket with leads, gasket, screws, globe and cast guard
VAG-02-C	—	200	

Ceiling Mount Cross Feed (5 Tapped Holes)



CAT. NO.	HUB SIZE	MAX. WATT	DESCRIPTION
VX-11	½"	100	Ceiling-cross feed box with gaskets, socket with leads, screws, 4 closure plugs and cast mounting lugs
VX-21	¾"	100	
VX-12	½"	200	
VX-22	¾"	200	Ceiling-cross feed box with gaskets, socket with leads, screws, 4 closure plugs and cast mounting lugs and globe
VXG-11	½"	100	
VXG-21	¾"	100	
VXG-12	½"	200	Ceiling-cross feed box with gaskets, socket with leads, screws, 4 closure plugs, cast mounting lugs, globe and cast guard
VXG-22	¾"	200	
VXG-11-C	½"	100	
VXG-21-C	¾"	100	
VXG-12-C	½"	200	
VXG-22-C	¾"	200	

NOTE: For upright mounting only. Caution: In ordering Lexan Globe, wattage is rated 75% of standard globe size i.e. VGLL-02 is for use on 200 watt fixtures, but only rated for 150 watt lamps.

Industrial Vaportight Lighting

Wall Mount with Adapter Plate



CAT. NO.	MAX. WATT	DESCRIPTION
VW-01	100	Wall mount unit with socket with leads, gaskets, and screws
VW-02	200	
VWG-01	100	Wall mount unit with socket with leads, gaskets, screws and globe
VWG-02	200	
VWG-01-C	100	Wall mount unit with socket with leads, gaskets, globe, screws and cast guard
VWG-02-C	200	

Wall Mount Cross Feed (5 Tapped Holes)



CAT. NO.	HUB SIZE	MAX. WATT	DESCRIPTION
VXW-11	1/2"	100	Wall mount cross feed with socket with leads, gaskets, screws, 4 closure plugs and cast mounting lugs
VXW-21	3/4"	100	
VXW-12	1/2"	200	
VXW-22	3/4"	200	
VXWG-11	1/2"	100	Wall mount cross feed with socket with leads, gaskets, screws, 4 closure lugs and globe
VXWG-21	3/4"	100	
VXWG-12	1/2"	200	
VXWG-22	3/4"	200	
VXWG-11-C	1/2"	100	Wall mount cross feed with socket with leads, gaskets, screws, 4 closure plugs, cast mounting lugs, globe and cast guard
VXWG-21-C	3/4"	100	
VXWG-12-C	1/2"	200	
VXWG-22-C	3/4"	200	

Globes



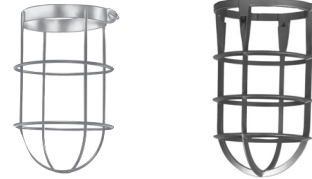
CAT. NO.	MAX. WATT	DESCRIPTION
Glass		
VGL-01	100	Clear
VGLA-01	100	Amber
VGLB-01	100	Blue
VGLG-01	100	Green
VGLR-01	100	Red
VGLH-01	150	Clear heat resistant
VGL-02	200	Clear
VGLR-02	200	Red
VGLH-02	300	Clear heat resistant

Lexan		
VGLL-01	75	Clear Prismatic
VGLL-02	150	Clear Prismatic
VGLA-A1	75	Amber
VGLA-R1	75	Red

Not for use with guards.

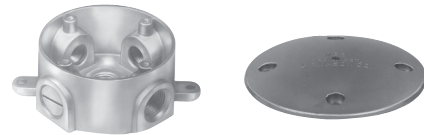
NOTE: For upright mounting only. Caution: In ordering Lexan Globe, wattage is rated 75% of standard globe size i.e. VGLL-02 is for use on 200 watt fixtures, but only rated for 150 watt lamps.

Guards

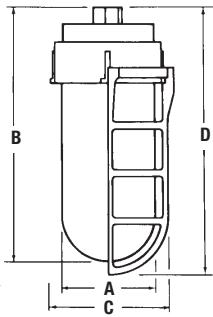


CAT. NO.	MAX. WATT	DESCRIPTION
Wire		
VGW-01	100	
VGW-02	200	Clamp on plated steel guards
Die Cast		
VGD-01	100	Die cast aluminum guards with positive locking screws
VGD-02	200	

Vaportight Boxes and Covers



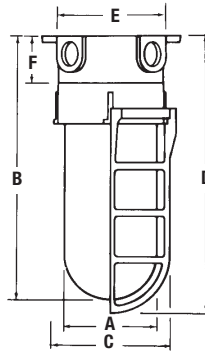
CAT. NO.	MAX. WATT	DESCRIPTION
Boxes		
LVX-1	1/2"	Box, 3/2" diameter, 1 1/4" deep, 5 tapped holes, 12.08 cu. in. 4 closure plugs with cast mounting lugs
LVX-2	3/4"	
Cover		
V-B	None	Blank cover 3 1/2" diameter



Pendant Mount (VKG)

VKG

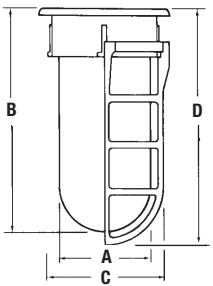
CAT. NO.	A	B
VKG-11	3 ³ / ₁₆	8 ³ / ₁₆
VKG-21	3 ³ / ₁₆	8 ³ / ₁₆
VKG-12	4 ³ / ₁₆	10 ³ / ₁₆
VKG-22	4 ³ / ₁₆	10 ³ / ₁₆
	C	D
VKG-11-C	4 ¹ / ₁₆	8 ³ / ₄
VKG-21-C	4 ¹ / ₁₆	8 ³ / ₄
VKG-12-C	5 ¹ / ₄	10 ³ / ₁₆
VKG-22-C	5 ¹ / ₄	10 ³ / ₁₆



Ceiling Mount Cross Feed (VXG)

VXG

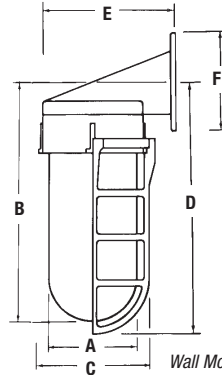
CAT. NO.	A	B	E	F
VXG-11	3 ³ / ₁₆	8 ¹ / ₁₆	3 ¹ / ₂	1 ¹ / ₁₆
VXG-21	3 ³ / ₁₆	8 ¹ / ₁₆	3 ¹ / ₂	1 ¹ / ₁₆
VXG-12	4 ³ / ₁₆	10 ³ / ₁₆	3 ¹ / ₂	1 ¹ / ₁₆
VXG-22	4 ³ / ₁₆	10 ³ / ₁₆	3 ¹ / ₂	1 ¹ / ₁₆
	C	D		
VXG-11-C	4 ¹ / ₁₆	9 ⁹ / ₁₆		
VXG-21-C	4 ¹ / ₁₆	9 ⁹ / ₁₆		
VXG-12-C	5 ¹ / ₄	11 ³ / ₁₆		
VXG-22-C	5 ¹ / ₄	11 ³ / ₁₆		



Ceiling Mount (VAG)

VAG

CAT. NO.	A	B
VAG-01	3 ³ / ₁₆	7 ¹ / ₁₆
VAG-02	4 ³ / ₁₆	9 ³ / ₁₆
	C	D
VAG-01-C	4 ¹ / ₁₆	7 ¹⁵ / ₁₆
VAG-02-C	5 ¹ / ₄	9 ³ / ₁₆

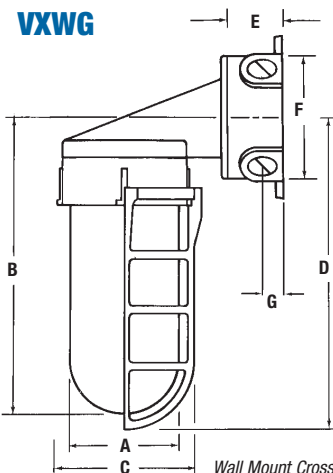


Wall Mount (VWG)

VWG

CAT. NO.	A	B	E	F
VWG-01	3 ³ / ₁₆	8 ⁷ / ₁₆	4 ³ / ₄	3 ¹ / ₂
VWG-02	4 ³ / ₁₆	10 ³ / ₁₆	5 ³ / ₄	3 ¹ / ₂
	C	D		
VWG-01-C	4 ¹ / ₁₆	8 ¹⁵ / ₁₆		
VWG-02-C	5 ¹ / ₄	10 ³ / ₁₆		

VXWG



Wall Mount Cross Feed (VXWG)

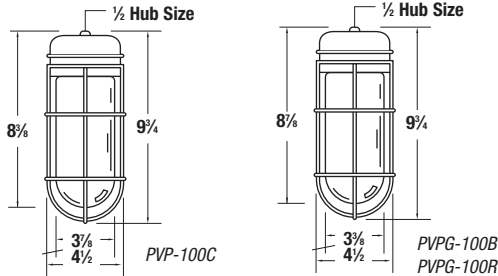
CAT. NO.	A	B	C	D	E	F	G	H	I	J	CI
VXWG-11	3 ³ / ₁₆	8 ⁷ / ₁₆	—	—	1 ¹ / ₁₆	3 ¹ / ₂	—	—	—	—	—
VXWG-21	3 ³ / ₁₆	8 ⁷ / ₁₆	—	—	1 ¹ / ₁₆	3 ¹ / ₂	—	—	—	—	—
VXWG-12	4 ³ / ₁₆	10 ³ / ₁₆	—	—	1 ¹ / ₁₆	3 ¹ / ₂	—	—	—	—	—
VXWG-22	4 ³ / ₁₆	10 ³ / ₁₆	—	—	1 ¹ / ₁₆	3 ¹ / ₂	—	—	—	—	—
VXWG-11-C	3 ³ / ₁₆	8 ⁷ / ₁₆	4 ¹ / ₁₆	8 ¹⁵ / ₁₆	1 ¹ / ₁₆	3 ¹ / ₂	—	—	—	—	—
VXWG-21-C	3 ³ / ₁₆	8 ⁷ / ₁₆	4 ¹ / ₁₆	8 ¹⁵ / ₁₆	1 ¹ / ₁₆	3 ¹ / ₂	—	—	—	—	—
VXWG-12-C	4 ³ / ₁₆	10 ³ / ₁₆	5 ³ / ₁₆	10 ³ / ₁₆	1 ¹ / ₁₆	3 ¹ / ₂	—	—	—	—	—
VXWG-22-C	4 ³ / ₁₆	10 ³ / ₁₆	5 ³ / ₁₆	10 ³ / ₁₆	1 ¹ / ₁₆	3 ¹ / ₂	—	—	—	—	—
LVX-1	—	—	—	—	1 ¹ / ₁₆	3 ¹ / ₂	5 ³ / ₁₆	5	4 ¹ / ₁₆	2 ¹³ / ₁₆	10.3
LVX-2	—	—	—	—	1 ¹ / ₁₆	3 ¹ / ₂	5 ³ / ₁₆	5	4 ¹ / ₁₆	2 ¹³ / ₁₆	10.3

Vaporproof Fixtures

Red•Dot® Vaporproof Fixtures — UL® Listed for Non-Explosive Vapors.

Pendant Fixtures

- Rugged aluminum die cast construction
- Corrosion resistant, natural cast finish
- All current carrying components are copper or copper alloy porcelain socket
- Fixtures supplied with heat-resistant glass globes or high impact LEXAN® globes
- Amber, clear, red and white LEXAN® globes can be ordered separately
- Mount with diffuser facing down



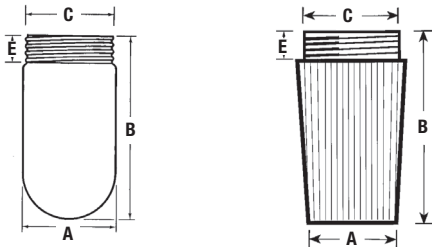
CAT. NO.	DESCRIPTION	MAX. WATTS	PACKAGING	
			BOX	STD. CTN.
PVP-100C	Fixture and clear LEXAN globe	100	1	12
PVPG-100B	Fixture, blue LEXAN Globe, guard	100	1	12
PVPG-100R	Fixture, red LEXAN Globe, guard	100	1	12

UL Listed.

* CSA Certified LR-95792.

LEXAN® is a registered trademark of GE Plastics.

VGL



Threaded Glass Globe (VGL)

Threaded Glass Plastic Globe (VGL, VGLL)

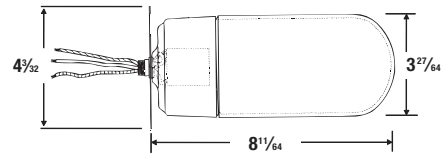
CAT. NO.	A	B	C	D	E	I.D
VGL-01 SERIES	3 3/8	6 1/32	3 7/16	1	—	2 1 1/16
VGL-02 SERIES	4 3/8	8 3/8	4 7/16	1	—	3 1 3/16
VGLL-01	3 7/32	5 15/16	3 3/8	—	7/8	2 3/8
VGLL-02	4 17/32	8 1/4	4 3/8	—	7/8	3 3/8
VGLA-A1	3 7/32	5 15/16	3 3/8	—	7/8	2 3/8
VGLA-R1	3 7/32	5 15/16	3 3/8	—	7/8	2 3/8

For Indoor Lighting. Universal Economy Fixture

- Heavy-duty sheet metal construction
- Thermoset protective gray finish
- Up to 75 watt lamp
- Includes glass globes
- Mounts on 4" box
- 3 color-coded, prestripped, copper wire leads
- (2) 1/4" diameter mounting holes



BL-100

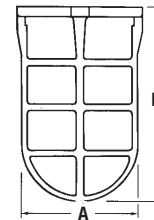


CAT. NO.	DESCRIPTION	MAX. WATTS	STD. CTN.
BL-100	Fixture and glass globe	75	10

Replacement Parts

CAT. NO.	DESCRIPTION	PACKAGING	
		BOX	STD. CTN.
Sockets			
R122	Socket for all vapor-proof fixtures	—	250

VGD, VGW

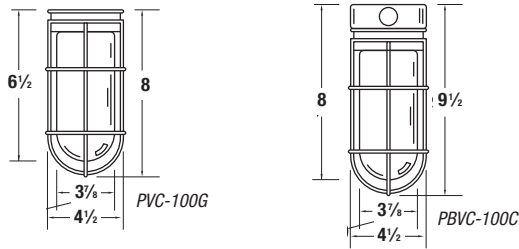


Guards (VGD, VGW)

CAT. NO.	A	B
VGD-01	4 1/16	7
VGD-02	5 5/16	8 5/8
VGW-01	4 1/8	6 41/64
VGW-02	5 1/16	8 37/64

Red•Dot® Vaporproof Fixtures — UL® Listed for Non-Explosive Vapors.

Surface Fixtures



- Rugged aluminum die cast construction
- Corrosion resistant, natural cast finish
- All current carrying components are copper or copper alloy porcelain socket
- Fixtures supplied with heat-resistant glass globes or high impact LEXAN® globes
- Amber, clear, red and white Lexan globes can be ordered separately
- Mount with diffuser facing down

CAT. NO.	DESCRIPTION	MAX. WATTS	PACKAGING	
			BOX	STD. CTN.
PVC-100C	Fixture and clear LEXAN® globe	100	1	12
PBVC-100C	Fixture, box and clear Lexan globe	100	1	12

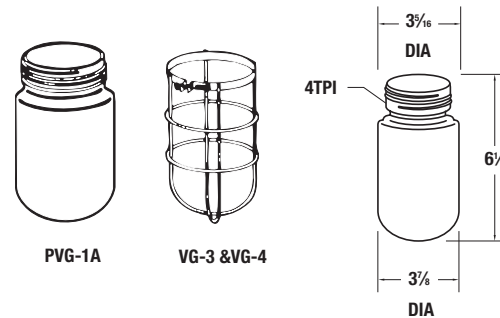
Fits all 3" and 4" Round or Octagon Boxes

* UL® Listed E-77360.
 CSA Certified LR-95792.
 LEXAN® is a registered trademark of GE Plastics.

Vaporproof Fixtures — Globes and Guards.

Vaporproof Fixture Globes and Guards Replacements

- Heat-resistant glass globes or high impact LEXAN®
- Amber, clear, red and white LEXAN globes can be ordered separately



CAT. NO.	DESCRIPTION	PACKAGING	
		BOX	STD. CTN.
PVG-1A*	Amber LEXAN® globe for 100 watt fixtures	1	12
PVG-1C*	Clear LEXAN globe for 100 watt fixtures	1	12
PVG-1R*	Red LEXAN globe for 100 watt fixtures	1	12
PVG-1W*	White LEXAN globe for 100 watt fixtures	1	12
VG-3	Guard for 100 watt fixtures	1	12
VG-4	Guard for 200 watt fixtures	1	6

* UL® Listed E-77360
 LEXAN® is a registered trademark of GE Plastics.

Red•Dot® Weatherproof Boxes and Covers

Ceiling Mount

RED•DOT®	STONCO	KILLARK	APPLETON	CROUSE HINDS
VA-01	VK1	VFC-100	JB1-A	VXH15
VA-02	VK2	VFC-200	JB1-A	VXH12
VAG-01	VK1K	VOB-100	JB10-A	—
VAG-02	VK2K	VOB-200	JB20-A	—
VAG-01-C	VK1GC	VOBG-100	JB10G-A	VXH15GP
VAG-02-C	VK2GC	VOBG-200	JB20G-A	VXH12GP

Ceiling Mount Cross-Feed

RED•DOT®	STONCO	KILLARK	APPLETON	CROUSE HINDS
VX-11	VCXL11	VXA-1 VGX-1	VXHA50-A VC50-A V50-A	VXHF15 V175 VC175
VX-21	VK1+VXL13	VXA-2 VGX-2	VXHA75-A VC75-A V75-A	VXHF25 V275 VC275
VX-12	VCXL21	VXA-1 VGX-1	VXHA50-A VC50-A V50-A	VXHF12
VX-22	VK2+VXL13	VXA2 VGX-2	VXHA75-A VC75-A V75-A	VXHF22
VXG-11	VCXL11K	VXAG-110 VUXV-1-100 VUCG-1-100 VUHJ-1-100	VXHA1050-A VC1050-A V1050-A	—
VXG-21	VK1K+VXL13	VXAG-210 VUXG-2-100 VUCG-2-100 VUHJ-2-100	VXHA1075-A VC1075-A V1075-A	—
VXG-12	VCXL21K	VXAG-120 VUXG-1-200 VUCG-1-200 VUHJ-1-200	VXHA2050-A VC2050-A V2050-A	—
VXG-22	VK2K+VXL13	VXAG-220 VUXG-2-200 VUCG-2-200 VUHJ-2-200	VXHA2075-A VC2075-A V2075-A	—
VXG-11-C	VCXL11GC	VXAGG-110 VUXGG-1-100 VUCGG-1-100 VUHGG-1-100	VXHA1050G-A VC1050G-A V1050G-A	VXHF15GP V1759 VC1759
VXG-21-C	VK1GC+VXL13	VXAGG-210 VUXGG-2-100 VUCGG-2-100 VUHGG-2-100	VXHA1075G-A VC1075G-A V1075G-A	VXHF25GP V2759 VC2759
VXG-12-C	VCXL21GC	VXAGG-120 VUXGG-1-200 VUCGG-1-200 VUHGG-1-200	VXHA2075G-A VC2050G-A V2050G-A	VXHF12GP
VXG-22-C	VK2GC+VXL13	VXAGG-220 VUXGG-2-200 VUCGG-2-200 VUHGG-2-200	VXHA2075G-A VC2075G-A V2075G-A	VXHF22GP

Pendant Mount

RED•DOT®	STONCO	KILLARK	APPLETON	CROUSE HINDS
VK-11	VP-11	VGA-1	VA50-A	VDA15, VDA175
VK-21	—	VGA-2	VA75-A	VDA25, VDA275
VK-12	VP21	VGA-1	VA50-A	VDA12
VK-22	—	VGA-2	VA75-A	VDA22
VKG-11	VP11K	VUAG-1-100	VA1050-A	—
VKG-21	—	VUAG-2-100	VA1075-A	—
VKG-12	VP21K	VUAG-1-200	VA2050-A	—
VKG-22	—	VUAG-2-200	VA2075-A	—
VKG-11-C	VP11GC	VUAGG-1-100	VA1050-G-A	VDA15GP
VKG-21-C	—	VUAGG-2-100	VA1075-G-A	VDA25GP
VKG-12-C	VP21GC	VUAGG-1-200	VA2050-G-A	VDA12GP
VKG-22-C	—	VUAGG-2-200	VA2075-G-A	VDA22GP

Wall Mount

RED•DOT®	STONCO	KILLARK	APPLETON	CROUSE HINDS
VW-01	VW1	VB-1	JBW1-A	VG175, VXHB15
VW-02	VW2	VB-2	JBW1-A	VXHB12
VWG-01	VW1K	VOBL-100	JBW10-A	—
VWG-02	VW2K	VOBL-200	JBW20-A	—
VWG-01-C	VW1GC	VOBLG-100	JBW10G-A	VG1759, VXHB15GP
VWG-02-C	VW2GC	VOBLG-200	JBW20G-A	VXHB12GP

Wall Mount Cross-Feed

RED•DOT®	STONCO	KILLARK	APPLETON	CROUSE HINDS
VXW-11	VWXL11	VB-1+VBC-1	—	VJ175, VXHF15
VXW-21	VW1+VXL13	VB-2+VBC-2	VGAT75-A	VJ275, VXHF25
VXW-12	VWXL21	VB-1+VBC-1	—	VXHF12
VXW-22	VW2+VXL13	VB-2+VBC-2	VGAT75-A	VXHF22
VXWG-11	VWXL11K	VOBL-100+VBC-1	—	—
VXWG-21	VW1K+VXL13	VOBL-200+VBC-2	VGAT1075-A	—
VXWG-12	VWXL21K	VOBL-100+VBC-1	—	—
VXWG-22	VW2K+VXL13	VOBL-200+VBC-2	VGAT2075-A	—
VXWG-11-C	VWXL11GC	VOBLG-100+VBC-1	—	VJ1759, VXHBF15GP
VXWG-21-C	VW1GC+VXL13	VOBLG-200+VBC-2	VGAT1075G-A	VJ2759, VXHBF25GP
VXWG-12-C	VWXL21GC	VOBLG-100+VBC-1	—	VXHBF12GP
VXWG-22-C	VW2GC+VXL13	VOBLG-200+VBC-2	VGAT2075G-A	VXHBF22GP



Accessories

RED•DOT®	STONCO	KILLARK	APPLETON	CROUSE HINDS
LVX-1	VXL1	VGH-1, VBC-1	JBX50L-A	VXFT10
	—	VGX-1	—	VXF10
	—	VLJSX-1	—	—
	—	VGC-1	—	—
LVX-2	VXL13	VGH-2, VBC-2	JBX75L-A	VXFT20
	—	VGC-2	—	VXF20
	—	VLJSX-2	—	—
	—	VGC-2	—	—
V-B	—	—	JBK-1B-CA	GRF10
V-1	—	—	JBK-50-A	GRF11
V-2	—	VG-2	—	GRF12
VGD-01	V131	VAG-100	VGU-1	V910, V911, P50
VGD-02	V132	VAG-200	VGU-2	P21
VGD-01	VGC100	VCG-100	VGL-1CL	G54
VGD-02	VGC200	VCG-200	VGL-2CL	G24
VGLA-01	VGA100	VAMG-100	VGL-1AM	VN76, G58
VGLA-02	VGA200	VAMG-200	VGL-2AM	G28
VGLB-01	VGB100	VBG-100	VGL-1BL	VN73, G56
VGLB-02	VGB200	VBG-200	VGL-2BL	G26
VGLG-01	VGG100	VGG-100	VGL-1GR	VN72, G55
VGLG-02	VGG200	VGG-200	VGL-2GR	G25
VGLH-01	VGCH100	VCGP-100	VGL-1HR	V63, V183, G34, G251
VGLH-02	VGCH200	VCGP-200	VGL-2HR	V93
VGLR-01	VGR100	VRG-100	VGL-1RE	VN85, VN75, G57
VGLR-02	VGR200	VRG-200	VGL-2RE	G27
VGLL-01	VPRC5	VPLCG-100	—	V470
VGLL-02	VPRC10	VPLCG-200	—	G63
VGLA-A1	—	—	—	G65
VGLA-R1	—	—	—	V475, G67
VGW-01	V127	—	VWG-1	—
VGW-02	V128	—	VWG-2	—

Red•Dot® Weatherproof Boxes and Covers

Merchandising System for D-PAK® Products

Applications

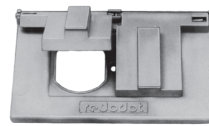
- Dry-tite® boxes and covers protect wiring devices, switches, electronic components and terminal blocks in Dry, Damp and Wet Locations
- Junction for branch conduits
 - “A” Series bodies for Rigid and Intermediate Metal Conduit (IMC) conduit maintain a weather resistant conduit system when used with covers and gaskets
 - “B” Series bodies for thin wall conduit Electrical Metallic Tubing (EMT) saves cost of connector and labor in indoor applications
- Accessible wiring chamber provides a convenient location to maintain or change a system, pull conductors and make splices



DIH3-1-LM



DALB



DCCD



D2L80S3

Features/Benefits

- Combination packaging of conduit body, cover and gasket reduces handling and inventory costs
- Selection of colored finishes — silver, bronze and white — match most widely used finishes in commercial and residential construction
- Reduced quantities in easy-to-store cartons. Saves labor and handling, reduces error and handling costs
- Bar coding on carton and product
- See-through wrapper provides instant identification and protects product on job site
- Easy to read labels speeds selection, handling and storage.

Standard Materials

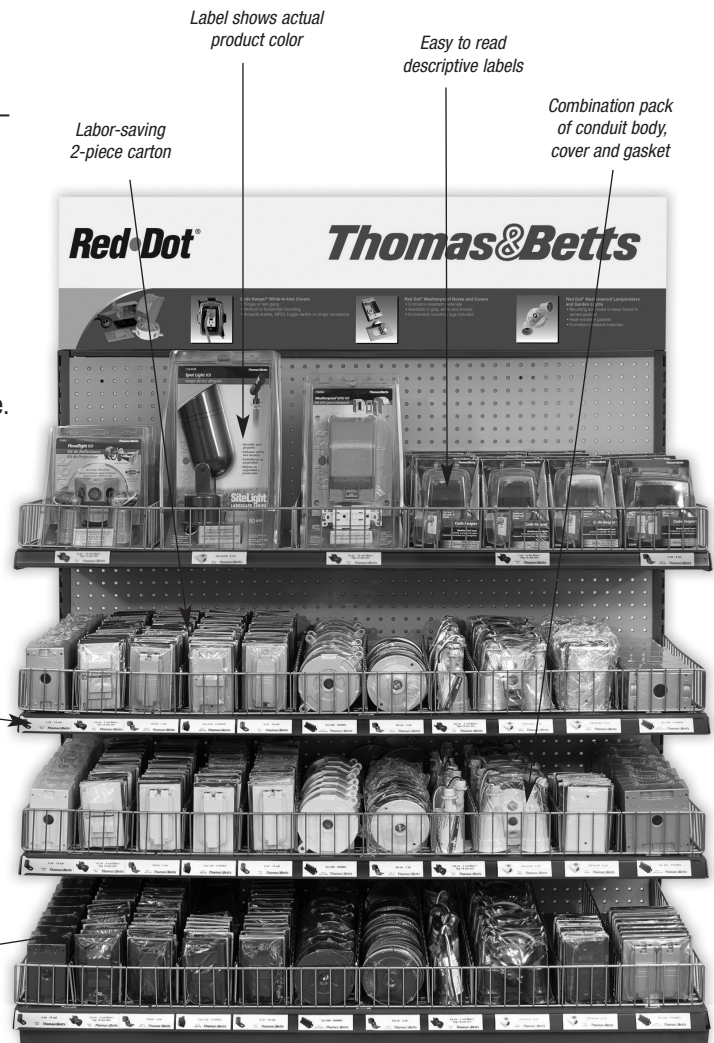
- Refer to appropriate section in this catalog

Standard Finish

- Powder coated finish
- Colors — Silver, Bronze & White

Compliances

- UL® Listed
- CSA Certified
- Federal Spec. W-C-586








The Merchandising System for D-PAK® Products Attracts Attention with Bold Graphics and Encourages Self-Service with Clean, Easy-to-Read Labels.

- Bold red, black, and white descriptive merchandising labels
- Labor saving 2-piece carton
- Combination pack of conduit body, cover and gasket
- Choice of finish: silver, bronze or white
- English, Spanish and French instructions
- Protective see-through wrap




Conduit Bodies with Covers and Gaskets




	CAT. NO.	CAT. NO.	HUB SIZE
Through Feed			
	RIGID IMC (RAINTIGHT)	EMT	
	DAC-1-CG	—	1/2"
	DAC-2-CG	—	3/4"
	DAC-3-CG	—	1"
Back Opening			
	DALB-1-CG	DBLB-1-C•	1/2"
	DALB-2-CG	DBLB-2-C•	3/4"
	DALB-3-CG	DBLB-3-C•	1"
	DALB-4-CG	—	1 1/4"
	DALB-5-CG	—	1 1/2"
	DALB-6-CG	—	2"
Left Side Opening			
	DALL-1-CG	—	1/2"
	DALL-2-CG	—	3/4"
	DALL-3-CG	—	1"
Right Side Opening			
	DALR-1-CG	—	1/2"
	DALR-2-CG	—	3/4"
	DALR-3-CG	—	1"
T-Style			
	DAT-1-CG	—	1/2"
	DAT-2-CG	—	3/4"
	DAT-3-CG	—	1"

- Body and cover only


Service Entrance Bodies

	CAT. NO.	HUB SIZE
Back Opening		
	DASLB-1	1/2"
	DASLB-2	3/4"
	DASLB-3	1"


Boxes

	CAT. NO.	HUB SIZE	COLOR	OUTLETS
Single Gang — with Mounting Lugs, 2 Plugs and Ground Screw				
Three Outlets				
	DIH3-1-LM	1/2"	Silver	Top 1
	DIH3-1-LM-BR	1/2"	Bronze	Bottom 1
	DIH3-1-LM-WH	1/2"	White	Back 1
	DIH3-2-LM	3/4"	Silver	
	DIH3-3-LM	1"	Silver	Total 3
Four Outlets				
	DIH4-2-LM	1/2"	Silver	Top 2
	DIH4-1-LM-BR	1/2"	Bronze	Bottom 1
	DIH4-1-LM-WH	1/2"	White	Back 1
	DIH4-2-LM	3/4"	Silver	Total 4
Five Outlets				
	DIH5-1-LM	1/2"	Silver	Top 2
	DIH5-2-LM	3/4"	Silver	Bottom 2
				Back 1
			Total 5	


Four Outlets

	DIH4-2-LM	1/2"	Silver	Top 2
	DIH4-1-LM-BR	1/2"	Bronze	Bottom 1
	DIH4-1-LM-WH	1/2"	White	Back 1
	DIH4-2-LM	3/4"	Silver	Total 4


Five Outlets

	DIH5-1-LM	1/2"	Silver	Top 2
	DIH5-2-LM	3/4"	Silver	Bottom 2
				Back 1
			Total 5	

Two Gang — with Mounting Lugs, 2 Plugs and Ground Screw

Three Outlets				
	D2IH3-1	1/2"	Silver	Top 1
				Bottom 1
				Back 1
				Total 3

Round — with Cast Mounting Lugs, 4 Plugs and Ground Screw

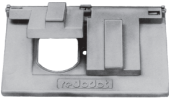
Five Outlets				
	DS-47	1/2"	Silver	Side 4
	DS-47-BR	1/2"	Bronze	Bottom 1
	DS-47-WH	1/2"	White	
	DS-48	3/4"	Silver	
	DS-48-BR	3/4"	Bronze	
DS-48-WH	3/4"	White	Total 5	

- Body and cover only.

Device Covers

CAT. NO.	COLOR	DESCRIPTION
----------	-------	-------------

Duplex Receptacle Cover, Horizontal



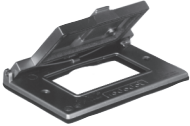
DCCD	Silver	Device mount
DCCD-BR	Bronze	
DCCD-WH	White	

Duplex Receptacle Cover, Vertical



DCCDV	Silver	Device mount
DCCDV-BR	Bronze	
DCCDV-WH	White	

GFCI Receptacle Cover, Horizontal



DCCG	Silver	Device mount
DCCG-BR	Bronze	
DCCG-WH	White	

GFCI Receptacle Cover, Vertical



DCCGV	Silver	Device mount
DCCGV-BR	Bronze	
DCCGV-WH	White	

Blank Covers

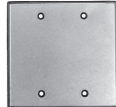
CAT. NO.	COLOR	DESCRIPTION
----------	-------	-------------

Single Gang



DCCB	Silver	Device mount
DCCB-BR	Bronze	
DCCB-WH	White	

Two Gang



D2CCB	Silver	Device mount
-------	--------	--------------

Round



DCCRB	White	5" round cover with mounting holes 3½" on center (not Raintight)
-------	-------	--

Lampholders

CAT. NO.	COLOR	DESCRIPTION
----------	-------	-------------

Standard



DL-80	Silver	Inside gasket and ground screw, 150W PAR 38 Max. lamp
DL-80-BR	Bronze	
DL-80-WH	White	

Floodlight

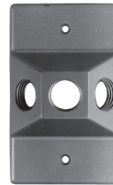


D2L80S3	Silver	Two lampholders and cover with three ½" holes, gasket, screws and plug
---------	--------	--

Lampholder Cover

CAT. NO.	HUB SIZE	COLOR	DESCRIPTION
----------	----------	-------	-------------

Single Gang



DLC-31	½"	Silver	Three ½" holes, supplied with gasket, screws and plug
DLC-31-BR	½"	Bronze	
DLC-31-WH	½"	White	

Round



DSS-1	½"	Silver	Device mount with gasket, screws and plug
DSS-1-BR	½"	Bronze	
DSS-1-WH	½"	White	
DSS-3	½"	Silver	
DSS-3-BR	½"	Bronze	
DSS-3-WH	½"	White	

Plugs

CAT. NO.	HUB SIZE	COLOR
----------	----------	-------



DPLG-1	½"	Silver
DPLG-1-BR	½"	Bronze
DPLG-1-WH	½"	White
DPLG-2	¾"	Silver

Traditional 2 Lamp Round Box Kit



CS212

CAT. NO.	COLOR
CS212	Silver
CS212BR	Bronze
CS212WH	White

Contemporary 2 Lamp Round Box Kit



CS228

CAT. NO.	COLOR
CS228	Silver
CS228BR	Bronze
CS228WH	White

Duplex Weatherproof Outlet Device Kit



CS312

CAT. NO.	COLOR
CS312	Silver
CS312BR	Bronze
CS312WH	White

GFCI Weatherproof Outlet Device Kit



CS315

CAT. NO.	COLOR
CS315	Silver

Contemporary Stake Light with Cord



CS780BR

CAT. NO.	COLOR
CS780BR	Bronze

Traditional 2 Lamp, Round Box with Photocell Kit



CS902

CAT. NO.	COLOR
CS902	Silver
CS902BR	Bronze
CS902WH	White

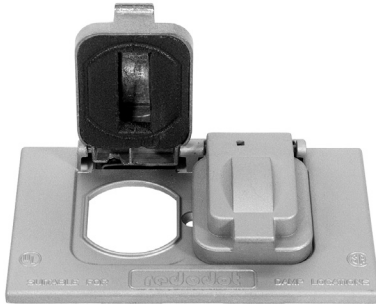
D-PAK® Kits not shown

CAT. NO.	DESCRIPTION	COLOR
CSNMG	Single gang, non-metallic, while-in-use weatherproof kit includes CKNM cover, box and GFCI receptacle	Clear Cover
CSMGV	Single gang, metallic, vertical GFCI, while-in-use. Weatherproof kit includes CKMGV cover, box and GFCI receptacle	Silver

Red•Dot® Weatherproof Boxes and Covers

Steel City® Weatherproof to Red•Dot® Cross Reference

Weatherproof Covers — Device Mounted



STEEL CITY® PART #	RED•DOT® PART #	STEEL CITY® PART #	RED•DOT® PART #
R103	*	WR100-CWH	DCCD-WH
R104	*	WR104-C	CCS
SP411-G	2CCB	WR104-CV	CCSV
SP41-G	CCB	WR181-C	CCDV
SP41-GBR	DCCB-BR	WR274-C	2CCS
SP41-GWH	DCCB-WH	WR281-C	2CCD
SW1	*	WR281-CBR	*
SW1-2C	2CCT	WR281-C-WH	*
SW1-C	CCT	WR50-C	CCPO
SW2	*	WR60-C	2CCPOX
SW20-1	CCT-1-20	WR74-81C	*
SW20-2	*	WR74-C	CCSSO
SW3	CCT-3	WR74-CN	*
TRC	SS-B	WR81-C	DCCDSO
WDGF100-C	2CCDG	WR81-CBR	DCCDSO-BR
WGF100-C	CCG	WR81-CN	*
WGF100-CBR	DCCG-BR	WR81-CWH	DCCDSO-WH
WGF100-CV	CCGV	WRH80-C	*
WGF100-CVBR	DCCGV-BR	WRL181-C	CCDV-L
WGF100-CVWH	DCCGV-WH	WRL281-C	2CCD-L
WGF100-CWH	DCCG-WH	WRL50-C	CCPO-L
WGF200-C	2CCG	WRL60-C	2CCPOX-L
WGFL100-CV	CCGV-L	WRMB-87	*
WR100-C	CCD	WSGF100-C	2CCSG
WR100-CBR	DCCD-BR	WSR81-C	2CCTD
WR100-CP	DCCDP	WSSL1-C	CCSV-L

* Items without a Red•Dot® equivalent will remain available under the Steel City part number.

Weatherproof Boxes

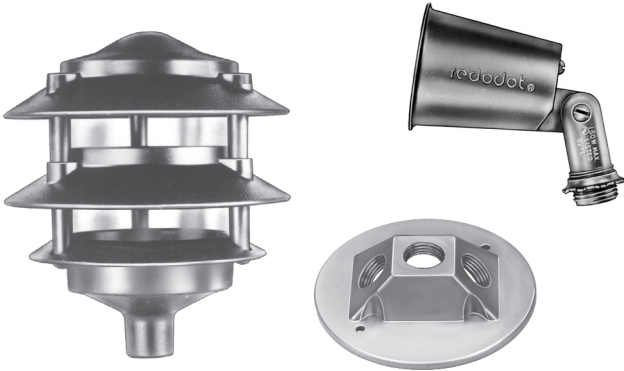


STEEL CITY® PART #	RED•DOT® PART #	STEEL CITY® PART #	RED•DOT® PART #
CF5	CCRB	PC-1-PL	PLG-3-RD
CF525	CCRSB	PC-3/4-PL	DPLG-2
ET11-22	IHE4-1	T100	DIH3-3-LM
ET1-PL	IHE	T11	IH3-1-LM
ETF11-22	IHEF6S2-1	T11-2	IH4-1-LM
ETL-1	2IHE	T11-22	IH5-1-LM
LT11	2IH3-1	T11-BR	DIH3-1-LM-BR
LT11-2	2IH4-1	T11-WH	DIH3-1-LM-WH
LT11-3	2IH5-1	T14-2	IH4-2-LM
LT11-33	2IH7-1	T14-22	IH5-2-LM
LT14	2IH3-2	T14-PL	IH3-2-LM
LT14-2	2IH4-2	TD11-2	IHD4-1
LT14-3	2IH5-2	TD14-2	IHD4-2
LT14-33	2IH7-2	TR11-4	S-47
LTD11-22	2IHD5-1	TR11-4B	DS-47B
LTD14-22	2IHD5-2	TR11-4BR	DS-47-BR
LTX100-5	*	TR11-4WH	DS-47-WH
LTX11-5	2IH5S2-1	TR14-4	S-48
LTX11-7	2IH7S2-1	TX11-5	IH5S2-1
LTX14-5	2IH5S2-2	TX11-6	IH6S2-1
LTX14-7	2IH7S2-2	TX14-5	IH5S2-2
PC-1/2-BR	DPLG-1-BR	TX14-6	IH6S2-2
PC-1/2-PL	DPLG-1	B100-G	VWG-01
PC-1/2-WH	DPLG-1-WH		

* Items without a Red•Dot® equivalent will remain available under the Steel City® part number.

Steel City® Weatherproof to Red•Dot® Cross Reference

Weatherproof Lighting — Lights, Lampholders, & Covers



STEEL CITY® PART #	RED•DOT® PART #	STEEL CITY® PART #	RED•DOT® PART #
300-PL	K330	WH1	DL-80
400-PL	K440	WH1-BR	DL-80-BR
AD11-2	*	WH1-WH	DL-80-WH
C1-PL	LC-11	WHUP-1	*
C2-PL	LC-21	WH90	*
C3-BR	DLC-31-BR	WH90-WH	*
C3-PL	DLC-31	WHG1	*
C3-WH	DLC-31-WH	WHY2	*
G1	*	Y1-BR	DSS-1-BR
PAR22-3	K702	Y1PL	S-1-RD
R100	L-80K	Y1-WH	DSS-1-WH
R125	*	Y2PL	*
S2	2L80D2	Y3-BR	DSS-3-BR
VG-1	VGL-01	Y3PL	S-3-RD
WA20	*	Y3-WH	DSS-3-WH
WG10	LG-80		

* Items without a Red•Dot® equivalent will remain available under the Steel City® part number.

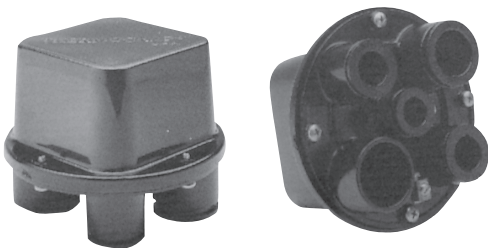
Vaporproof Lighting



STEEL CITY® PART #	RED•DOT® PART #	STEEL CITY® PART #	RED•DOT® PART #
B100-GG	VWG-01-C	R122	*
B100-PL	VW-01	TBGG-100	VXWG-11-C
BL-100	*	VC-100	VAG-01
BVC-100	VXG-11	VC-200	VAG-02
BVC-200	VXG-12	VCG-100	VAG-01-C
BVCG-100	VXG-11-C	VCG-200	VAG-02-C
BVCG-200	VXG-12-C	VG-1	VGL-01
PBVC-100C	*	VG-2	VGL-02
PVC-100C	*	VG-3	*
PVG1-A	*	VG-4	*
PVG-1C	*	VGL-01	VGL-01
PVG-1R	*	VP-100	VKG-11
PVG-1W	*	VP-200	VKG-12
PVP-100C	*	VPG-100	VKGA-11-C
PVPG-100B	*	VPG-200	VKG-12-C
PVPG-100R	*		

* Items without a Red•Dot® equivalent will remain available under the Steel City® part number.

Swimming Pool Junction Boxes



STEEL CITY PART #	RED•DOT PART #
SB100	*
SB11PL	*
SB14	*
SPJ-3	*
SPJ-5	*
SPJ-MB	*
SPJ-SR	*

* Items without a Red•Dot equivalent will remain available under the Steel City part number.

Red•Dot® Weatherproof Boxes and Covers

Rigid/Aluminum Conduit Bodies, Gaskets and Covers

Conduit Bodies, Covers and Gaskets

Applications

- Junction for branch conduits — “A” Series bodies for Rigid and IMC conduit maintain a weather resistant conduit system when used with covers and gaskets
- “B” Series bodies for thin wall conduit (EMT) saves cost of connector and labor in indoor applications
- Spacious, accessible wiring chamber provides a convenient location to pull conductors and make splices
- Aluminum conduit bodies can be used with steel rigid conduit — NEC 346-1, and Steel EMT, NEC 348-1

Features/Benefits

- Copper-free* aluminum provides increased corrosion resistance
- Precision cast and machined surfaces permit safer wire pulling
- Clean cover edges provide good gasket sealing
- Precision NPT threaded and set screw hubs allow trouble-free field installation for rigid, IMC or EMT conduit
- Retained deep slotted stainless steel cover screws for faster installation
- Clear UL, CSA and cubic content markings speed approval by inspectors

Standard Finish

- Conduit bodies and die cast covers: powder coated
- Stamped covers: Natural

Standard Materials

- Conduit Bodies: Die cast aluminum alloy A360 with less than .004 copper content (copper-free)
- Covers: (CV Series) Die cast aluminum alloy A360 with less than .004 copper content (copper-free), and stainless steel screws
- Covers: (SCV Series) Stamped aluminum alloy with less than .004 copper content (copper-free), and stainless steel screws
- Gaskets: (GKN Series) Neoprene
- Gaskets: (GKV Series) Composition

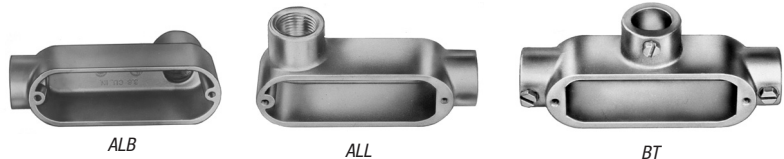
Compliances

- UL Listed
- CSA Certified
- Federal Spec. W-C-586
- NEC Article 370-28

Sample Specifications

- Conduit bodies shall be die cast copper-free* aluminum alloy A360. All conduit stops shall be free of rough edges. Conduit bodies shall be finished with powder coated paint. Conduit bodies shall be Red•Dot® Catalog No. _____

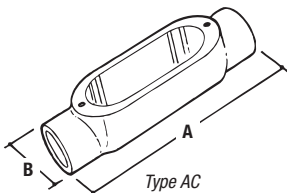
*Less than .004 copper content



Conduit Bodies, Covers and Gaskets — A Series

C Style

- Fittings, covers and gaskets are interchangeable with those produced by other leading manufacturers.
- Finish: Powder coated urethane.



CAT. NO.	TRADE SIZE	A	B	STD. CTN.
AC-1-RD	1/2"	3/8	1 21/64	50
AC-2-RD	3/4"	4 5/8	1 17/32	50
AC-3	1"	5 5/8	1 3/4	25
AC-4-RD	1 1/4"	7 1/4	2 1/2	10
AC-5	1 1/2"	7 1/4	2 5/8	10
AC-6-RD	2"	9 1/2	3 1/2	5
AC-7*	2 1/2"	12 1/4	4 1/2	1
AC-8*	3"	12 1/4	4 1/2	1
AC-9*	3 1/2"	15	5 1/2	1
AC-10-RD*	4"	15	5 1/2	1

CAT. NO.	HUB SIZE	STD. CTN.
D-PAK™ *		
DAC-1-CG	1/2"	12
DAC-2-CG	3/4"	15
DAC-3-CG	1"	8
DAC-4-CG	1 1/4"	6
DAC-5-CG	1 1/2"	5
DAC-6-CG	2"	2
DAC-7-CG	2 1/2"	2
DAC-8-CG	3"	2
DAC-9-CG	3 1/2"	2
DAC-10-CG	4"	2

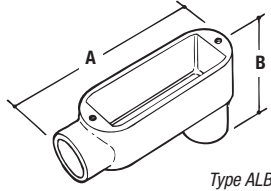
* Shipped with cover. Price includes cost of cover and body. UL File No. E-28688.



Rigid/Aluminum Conduit Bodies, Gaskets and Covers

Conduit Bodies, Covers and Gaskets — A Series (continued)

LB Style



CAT. NO.	TRADE SIZE	A	B	STD. CTN.
ALB-1	½"	3⅞	2⅛	50
ALB-2	¾"	4⅞	2⅛	50
ALB-3	1"	5⅞	2¾	25
ALB-4	1¼"	7¼	3⅞	10
ALB-5	1½"	7¼	3⅞	10
ALB-6	2"	9½	4½	5
ALB-7*	2½"	12¼	5½	1
ALB-8*	3"	12¼	5⅞	1
ALB-9*	3½"	15	6⅞	1
ALB-10*	4"	15	6⅞	1

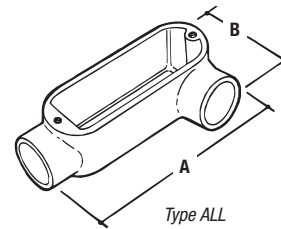
CAT. NO.	HUB SIZE	STD. CTN.
D-PAK® *		
DALB-1-CG	½"	25
DALB-2-CG	¾"	16
DALB-3-CG	1"	6
DALB-4-CG	1¼"	5
DALB-5-C	1½"	5
DALB-6-CG	2"	2
DALB-7-CG	2½"	2
DALB-8-CG	3"	2
DALB-9-CG	3½"	2
DALB-10-CG	4"	2

* Shipped with cover. Price includes cost of cover and body.

UL File No. E-28688.

LL Style

- Die cast copper-free aluminum construction.
- Provide access for pulling, splicing and maintenance.
- For rigid conduit/IMC applications.
- UL Listed.



CAT. NO.	TRADE SIZE	A	B	STD. CTN.
ALL-1	½"	3⅞	2	50
ALL-2	¾"	4⅞	2⅛	50
ALL-3	1"	5⅞	2½	25
ALL-4	1¼"	7¼	3⅞	10
ALL-5	1½"	7¼	3⅞	10
ALL-6	2"	9½	3⅞	5
ALL-7*	2½"	12¼	5½	1
ALL-8*	3"	12¼	5½	1
ALL-9*	3½"	15	6⅞	1
ALL-10*	4"	15	6⅞	1

CAT. NO.	HUB SIZE	STD. CTN.
D-PAK™ *		
DALL-1-CG	½"	12
DALL-2-CG	¾"	15
DALL-3-CG	1"	5
DALL-4-CG	1¼"	4
DALL-5-CG	1½"	5
DALL-6-CG	2"	2
DALL-7-CG	2½"	2
DALL-8-CG	3"	2
DALL-9-CG	3½"	2
DALL-10-CG	4"	2

* Shipped with cover. Price includes cost of cover and body.

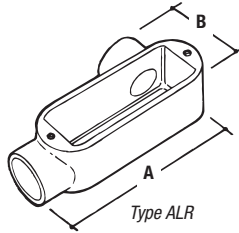
UL File No. E-28688.

Red•Dot® Weatherproof Boxes and Covers

Conduit Bodies, Covers and Gaskets — A Series (continued)

LR Style

- Die cast copper-free aluminum construction
- Provide access for pulling, splicing and maintenance
- For rigid conduit/IMC applications
- Fittings, covers and gaskets are interchangeable with those produced by other leading manufacturers
- Finish: Powder coated urethane



CAT. NO.	TRADE SIZE	A	B	STD. CTN.
ALR-1	1/2"	3/8"	2	50
ALR-2	3/4"	4 5/8"	2 1/16"	50
ALR-3	1"	5 3/8"	2 1/2"	25
ALR-4	1 1/4"	7 1/4"	3 3/8"	10
ALR-5	1 1/2"	7 3/4"	3 3/8"	10
ALR-6	2"	9 1/2"	3 15/16"	5
ALR-7*	2 1/2"	12 1/4"	5 1/2"	1
ALR-8*	3"	12 1/4"	5 1/2"	1
ALR-9*	3 1/2"	15	6 1/2"	1
ALR-10*	4"	15	6 1/2"	1

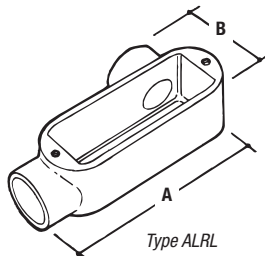
* Threaded shipped with cover. Price includes cost of cover and body.

UL® File No. E-28688.

CAT. NO.	HUB SIZE	STD. CTN.
D-PAK® *		
DALR-1-CG	1/2"	12
DALR-2-CG	3/4"	15
DALR-3-CG	1"	5
DALR-4-CG	1 1/4"	4
DALR-5-CG	1 1/2"	4
DALR-6-CG	2"	2
DALR-7-CG	2 1/2"	2
DALR-8-CG	3"	2
DALR-9-CG	3 1/2"	2
DALR-10-CG	4"	2

UL® Listed.

LRL Style

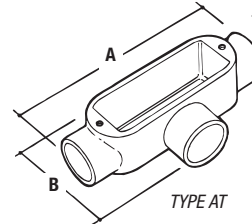


CAT. NO.	TRADE SIZE	A	B	STD. CTN.
ALRL-1	1/2"	3/8"	2	50
ALRL-2	3/4"	4 5/8"	2 1/16"	50
ALRL-3	1"	5 3/8"	2 1/2"	25
ALRL-4	1 1/4"	7 1/4"	3 3/8"	10
ALRL-5	1 1/2"	7 3/4"	3 3/8"	10
ALRL-6	2"	9 1/2"	3 15/16"	5

Shipped with cover. Price includes cost of cover and body.

UL® File No. E-28688.

T Style



CAT. NO.	TRADE SIZE	A	B	STD. CTN.
AT-1	1/2"	3/8"	2 1/16"	50
AT-2	3/4"	4 5/8"	2 1 1/2"	50
AT-3	1"	5 3/8"	2 5/8"	25
AT-4	1 1/4"	7 1/4"	3 1 1/2"	10
AT-5	1 1/2"	7 3/4"	3 3 1/2"	10
AT-6	2"	9 1/2"	4	5
AT-7*	2 1/2"	12 1/4"	5 25/32"	1
AT-8*	3"	12 1/4"	5 25/32"	1
AT-9*	3 1/2"	15	6 1 1/8"	1
AT-10*	4"	15	6 1 1/8"	1

CAT. NO.	HUB SIZE	STD. CTN.
D-PAK® *		
DAT-1-CG	1/2"	12
DAT-2-CG	3/4"	14
DAT-3-CG	1"	5
DAT-4-CG	1 1/4"	5
DAT-5-CG	1 1/2"	5
DAT-6-CG	2"	2
DAT-7-CG	2 1/2"	2
DAT-8-CG	3"	2
DAT-9-CG	3 1/2"	2
DAT-10-CG	4"	2

* Shipped with cover. Price includes cost of cover and body.

UL® File No. E-28688.

Dead End

- Retained stainless steel cover screws
- Cubic capacity UL and CSA clearly shown
- Smooth throats for easy wire pulling
- Ultra-high pressure die cast copper-free aluminum
- UL Listed, CSA Certified

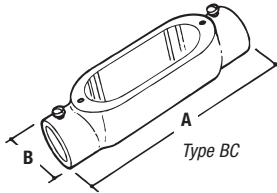


CAT. NO.	HUB SIZE
AE-1	1/2"
AE-2	3/4"

Rigid/Aluminum Conduit Bodies, Gaskets and Covers

Aluminum Conduit Bodies, Covers and Gaskets — B Series

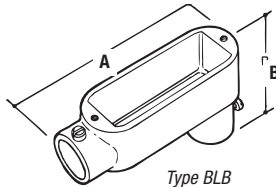
C Style



CAT. NO.	TRADE SIZE	A	B	STD. CTN.
BC-1-RD	½"	3⅞	1⅞	50
BC-2-RD	¾"	4⅞	1⅞	50
BC-3	1"	5⅞	1⅞	25
BC-4	1¼"	7⅞	2⅞	10
BC-5	1½"	7⅞	2⅞	10
BC-6	2"	9⅞	3⅞	5

UL® File No. E-28688.

LB Style



CAT. NO.	TRADE SIZE	A	B	STD. CTN.
BLB-1	½"	3⅞	2⅞	50
BLB-2	¾"	4⅞	2⅞	50
BLB-3	1"	5⅞	2⅞	25
BLB-4	1¼"	7⅞	3⅞	10
BLB-5	1½"	7⅞	3⅞	10
BLB-6	2"	9⅞	4⅞	5
BLB-7*	2½"	12⅞	5⅞	1
BLB-8*	3"	12⅞	5⅞	1
BLB-9*	3½"	15	6⅞	1
BLB-10*	4"	15	6⅞	1

D-PAK® *

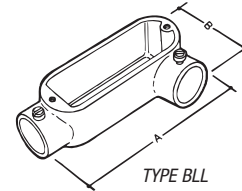
CAT. NO.	TRADE SIZE	STD. CTN.
DBLB-1-C*	½"	25
DBLB-2-C*	¾"	16
DBLB-3-C*	1"	6

* Threaded Hubs shipped with cover.

Price includes cost of cover and body.

UL® File No. E-28688.

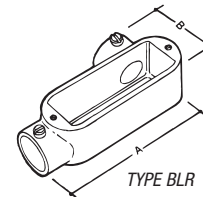
LL Style



CAT. NO.	TRADE SIZE	A	B	STD. CTN.
BLL-1	½"	3⅞	2	50
BLL-2	¾"	4⅞	2⅞	50
BLL-3	1"	5⅞	2⅞	25

UL® File No. E-28688

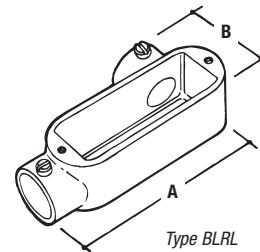
LR Style



CAT. NO.	TRADE SIZE	A	B	STD. CTN.
BLR-1	½"	3⅞	2	50
BLR-2	¾"	4⅞	2⅞	50
BLR-3	1"	5⅞	2⅞	25

UL® File No. E-28688

LRL Style



CAT. NO.	TRADE SIZE	A	B	STD. CTN.
BLRL-1	½"	3⅞	2	50
BLRL-2	¾"	4⅞	2⅞	50
BLRL-3	1"	5⅞	2⅞	25
BLRL-4	1¼"	7⅞	3⅞	10
BLRL-5	1½"	7⅞	3⅞	10
BLRL-6	2"	9⅞	3⅞	5

Shipped with cover.

Price includes cost of cover and body.

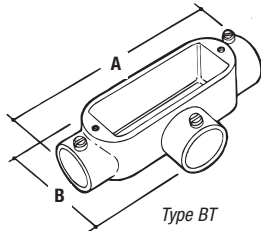
UL® File No. E-28688.

Red•Dot® Weatherproof Boxes and Covers

Rigid/Aluminum Conduit Bodies, Gaskets and Covers

Aluminum Conduit Bodies, Covers and Gaskets — B Series (continued)

T Style



CAT. NO.	TRADE SIZE	A	B	STD. CTN.
BT-1	½"	3¾"	2⅞"	50
BT-2	¾"	4¾"	2⅞"	50
BT-3	1"	5¾"	2¾"	25
BT-4	1½"	7¼"	3⅞"	10
BT-5	1½"	7¼"	3⅞"	10
BT-6	2"	9½"	4"	5
BT-7*	2½"	12¼"	5⅞"	1
BT-8*	3"	12¼"	5⅞"	1
BT-9*	3½"	15"	6⅞"	1
BT-10*	4"	15"	6⅞"	1

* Threaded Hubs shipped with cover.

Price includes cost of cover and body.

UL® File No. E-28688.

Aluminum Covers with Stainless Steel Screws

- SCV = Stamped aluminum
- CV = Die cast aluminum
- Steel zinc plated screws



CAT. NO.	CONDUIT SIZE	STD. CTN.
CV-1	½"	250
CV-2	¾"	250
CV-3	1"	250
CV-4	1¼"-1½"	50
CV-5	2"	25
CV-6	2½"-3"	5
CV-7	3½"-4"	5
SCV-1	½"	250
SCV-2	¾"	250
SCV-3	1"	250
SCV-4	1¼"-1½"	250
SCV-5	2"	100

UL® File No. E-28688.

Gaskets — Composition



Fiber Gasket

CAT. NO.	CONDUIT SIZE	STD. CTN.
GKV-1	½"	100
GKV-2	¾"	50
GKV-3	1"	25
GKV-4	1¼"-1½"	25
GKV-5	2"	25
GKV-6	2½"-3"	5
GKV-7	3½"-4"	5

Gaskets — Neoprene

- Fiber or neoprene material

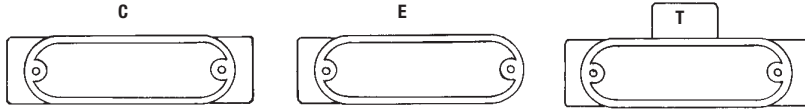


Neoprene Gasket

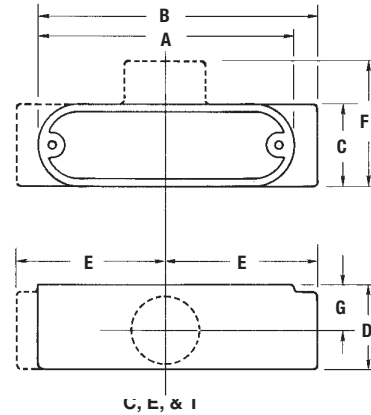
CAT. NO.	CONDUIT SIZE	STD. CTN.
GKN-1	½"	100
GKN-2	¾"	50
GKN-3	1"	25
GKN-4	1¼"-1½"	25
GKN-5	2"	25
GKN-6	2½"-3"	5
GKN-7	3½"-4"	5

Rigid/Aluminum Conduit Bodies, Gaskets and Covers

C, E and T

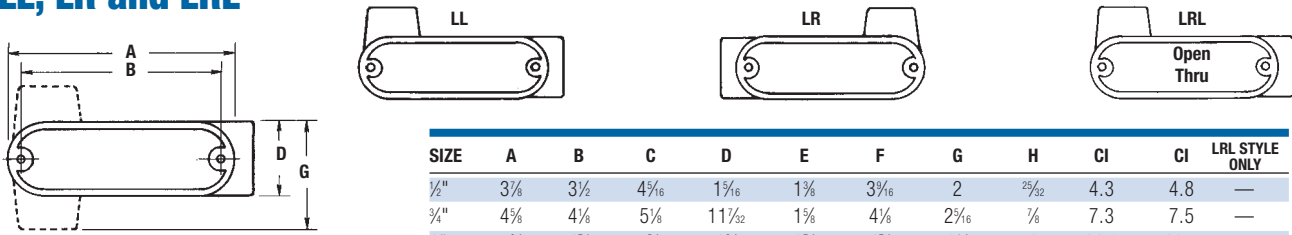


SIZE	A	B	C	D	E	F	G	CI
1/2"	3 7/8	4 3/8	1 1/8	1 3/8	2 13/32	2 1/16	1 3/16	4.3
3/4"	4 1/8	5 1/8	1 1/2	1 5/8	2 29/32	2 1/32	1 5/16	7.3
1"	5 1/8	5 15/16	1 3/4	1 7/8	3 1/2	2 3/8	1	11.8
1 1/4"	7 1/4	7 7/8	2 1/2	2 1/2	4 3/16	3 17/32	1 3/8	32.0
1 1/2"	7 3/4	7 7/8	2 1/2	2 3/4	4 3/8	3 11/32	1 1/2	32.0
2"	9 1/2	10 1/16	3 3/8	3 3/16	5 1/2	4	1 3/4	69.5
2 1/2"	12 1/4	13	4 1/2	4 1/2	6 3/8	5 25/32	2 1/16	190.0
3"	12 1/4	13	4 1/2	4 1/2	6 3/8	5 25/32	2 1/16	190.0
3 1/2"	15	16 3/16	5 1/2	5 1/16	8 1/8	6 1/16	3	366.0
4"	15	16 3/16	5 1/2	5 1/16	8 1/8	6 1/16	3	366.0



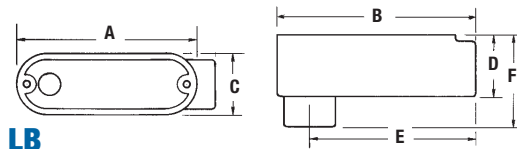
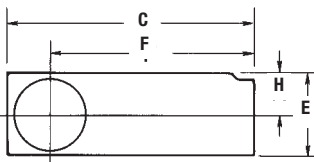
C, E, & I

LL, LR and LRL



SIZE	A	B	C	D	E	F	G	H	CI	CI	LRL STYLE ONLY
1/2"	3 7/8	3 1/2	4 3/16	1 5/16	1 3/8	3 3/16	2	2 5/32	4.3	4.8	—
3/4"	4 1/8	4 3/8	5 1/8	1 11/32	1 3/8	4 1/8	2 1/16	7/8	7.3	7.5	—
1"	5 1/8	4 3/4	5 5/16	1 1/2	1 3/4	4 3/8	2 1/2	1	11.8	12.5	—
1 1/4"	7 1/4	6 1/2	7 7/8	2 1/2	2 3/4	6 3/16	3 3/8	1 1/2	32.0	36.5	—
1 1/2"	7 3/4	6 1/2	7 7/8	2 1/2	2 3/4	6 3/16	3 3/8	1 1/2	32.0	36.5	—
2"	9 1/2	8 9/16	10 1/16	3 3/8	3 3/16	8 3/16	3 15/16	1 15/16	69.5	73.8	—
2 1/2"	12 1/4	11 1/4	13	4 1/2	4 1/2	10 1/4	5 1/2	2 3/8	190.0	—	—
3"	12 1/4	11 1/4	13	4 1/2	4 1/2	10 1/4	5 1/2	2 3/8	190.0	—	—
3 1/2"	15	14 3/16	16 1/4	5 1/2	5 1/2	12 1/4	6 1/2	3	366.0	—	—
4"	15	14 3/16	16 1/4	5 1/2	5 1/2	12 1/4	6 1/2	3	366.0	—	—

LL, LR, & LRL



LB

SIZE	A	B	C	D	E	F	CI
1/2"	3 3/8	4 3/32	1 3/16	1 1/16	3 1/2	2 1/16	4.3
3/4"	4 1/8	5 1/8	1 11/32	1 3/8	4 1/4	2 1/16	7.3
1"	5 1/8	5 15/16	1 3/4	1 7/8	4 15/16	2 3/4	11.8
1 1/4"	7 1/4	7 7/8	2 1/2	2 1/2	6 1/2	3 3/16	32.0
1 1/2"	7 3/4	7 7/8	2 1/2	2 3/4	6 3/8	3 1/16	32.0
2"	9 1/2	9 15/16	3 3/8	3 3/16	8	4 1/2	69.5
2 1/2"	12 1/4	13	4 1/2	4 3/8	10 27/32	5 1/4	190.0
3"	12 1/4	13	4 1/2	4 1/2	10 1/2	5 1/8	190.0
3 1/2"	15	16 3/16	5 1/2	5 1/16	13 1/2	6 15/16	366.0
4"	15	16 3/16	5 1/2	5 1/16	13 1/2	6 15/16	366.0

Conduit Body Wiring Table* — Style of Fitting

TRADE SIZE	LB	C	T	LL, LR, LRL
3/4"	#6	#6	#6	#6
1"	#4	#4	#4	#4
1 1/4"	#2	#2	#2	#2
1 1/2"	1/0	1/0	#1	1/0
2"	4/0	2/0	1/0	4/0
2 1/2"	300 MCM	250 MCM	2/0	300 MCM
3"	400 MCM	250 MCM	2/0	500 MCM
3 1/2"	500 MCM	350 MCM	250 MCM	500 MCM
4"	500 MCM	350 MCM	250 MCM	500 MCM

*The Maximum number and size of wire that can be safely pulled is based on three type XHHW wires or equal.

Red-Dot® Weatherproof Boxes and Covers

Mogul Pulling Elbow/Service Entrance Bodies

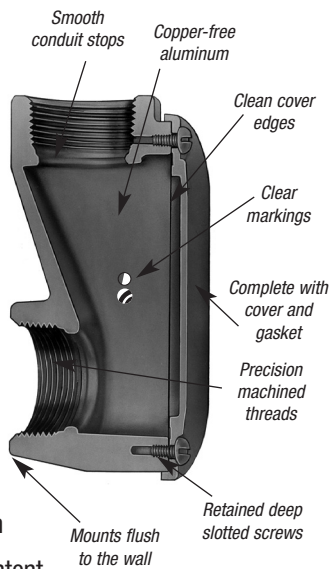
Mogul Pulling Elbow/Service Entrance Bodies

Applications

- Raintight junction for bringing electrical service into a location
- Accessible wiring chamber provides a convenient location to pull conductors and make splices

Features/Benefits

- Copper-free* aluminum provides increased corrosion resistance
- Precision cast and machined surfaces permit safer wire pulling
- Clean cover edges provide good gasket sealing
- Precision NPT threaded hubs enable trouble-free field installation for rigid and IMC conduit
- Retained deep slotted stainless steel cover screws for faster installation
- Clear UL, CSA and cubic content markings speed approval by inspectors



Standard Materials

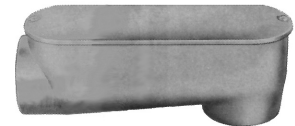
- Service Entrance Bodies: Die cast aluminum alloy A360 with less than .004 copper content (copper-free)
- Covers 1/2" and 3/4": Stamped aluminum alloy, and stainless steel screws
- Covers 1" through 4": Die cast aluminum alloy A360 with less than .004 copper content (copper-free), and stainless steel screws
- Gaskets: Composition

Standard Finish

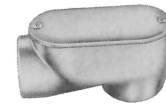
- Powder Coated Gray

Compliances

- UL® Listed
- CSA Certified
- Federal Spec. W-C-586
- NEC Article 370-5 and 370-28



ASLB-XL



ASLB

Sample Specifications

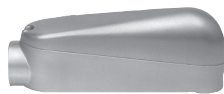
- Service Entrance Fittings shall be die cast copper-free* aluminum alloy A360. All conduit stops shall be free of rough edges. Service Entrance Fittings shall be finished with aluminum lacquer. Service Entrance Fittings shall be Red•Dot® Catalog No. _____

*Less than .004 copper content

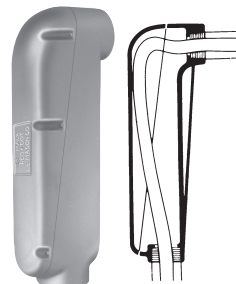
Bodies with Covers and Gaskets

Spacious, accessible wiring chamber for pulling conductors, making splices and bringing electrical service into a location

- Dome cover — extra bending room
- Deep slotted stainless steel cover screws
- "I" beam construction adds strength
- Smooth throats for easy wire pulling
- Extra wiring room
- Meets NEC Article 370-28
- Ultra-high pressure die cast aluminum
- UL Listed, CSA Certified
- Copper-free aluminum, less than .004 copper content



MALB-6



CAT. NO.	HUB SIZE	COVER ONLY
MALB-3	1"	MALB34CV
MALB-4	1¼"	MALB34CV
MALB-5	1½"	MALB-56CV
MALB-6	2"	MALB-56CV
MALB-7	2½"	MALB-78CV
MALB-8	3"	MALB-78CV
MALB-9	3½"	MALB-90CV
MALB-10	4"	MALB-90CV

Composition Gasket



CAT. NO.	HUB SIZE
MGKV-4	1 or 1¼"
MGKV-5	1½" or 2"
MGKV-6	2½" or 3"
MGKV-7	3½" or 4"

Mogul Pulling Elbow/Service Entrance Bodies

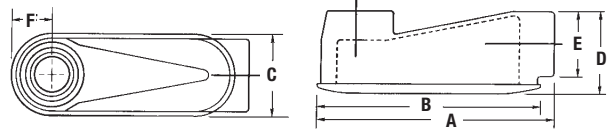
1/2"–2" Bodies with Covers and Gaskets

Accessible junctions for bringing electrical service into a location.

- Mounts flush to wall
- Standard and extra-long configurations
- Retained deep slotted stainless steel cover screws
- Smooth throats for easy wire pulling
- Ultra-high pressure die cast aluminum
- Meets NEC Article 370-28
- UL® listed, CSA Certified
- Copper-free aluminum, less than .004 copper content



ASLB and ASLB-XL



ASLB & ASLB-XL

SIZE	A	B	C	D	E	F	CI
ASLB							
1/2"	3 1/16	2 3/4	1 1/4	1 1/16	1 1/8	1 1/16	2.0
3/4"	3 15/16	3 1/4	1 1/2	1 3/4	1 3/8	3/4	3.0
1"	4 1/4	3 3/8	1 3/4	2 1/16	1 3/4	1 1/16	5.5
1 1/4"	5 1/2	5 1/4	2 3/8	3	2 3/16	1 1/4	13.0
1 1/2"	6 1/4	6	2 7/16	3 3/4	2 7/16	1 1/2	18.8
2"	6 3/4	6 1/2	3 3/8	4	2 7/8	1 5/8	38.8
ASLB-XL							
1 1/4"	8	7 1/2	2 1/2	2 3/4	2 7/32	1 5/16	24.5
2"	9 15/16	9 3/4	3 3/8	3 3/4	2 15/16	1 5/8	58.0

CAT. NO.	HUB SIZE	COVER ONLY
ASLB-1	1/2"	ASLB1CV
ASLB-2	3/4"	ASLB2CV
ASLB-3	1"	ASLB3CV
ASLB-4	1 1/4"	ASLB4CV
ASLB-5	1 1/2"	ASLB5CV
ASLB-6	2"	ASLB6CV

D-PAK® *

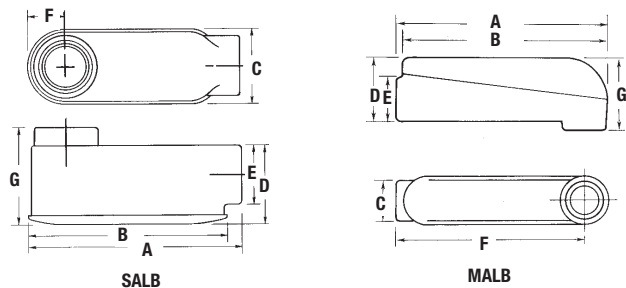
CAT. NO.	HUB SIZE
DASLB-1	1/2"
DASLB-2	3/4"
DASLB-3	1"

2 1/2"–4" Bodies with Covers and Gaskets



CAT. NO.	HUB SIZE
SALB-7	2 1/2"
SALB-8	3"
SALB-9	3 1/2"
SALB-10	4"

SALB and MALB



SIZE	A	B	C	D	E	F	G	CI
SALB								
2 1/2"	13	12 3/8	4 13/16	4 1/2	3 3/8	2 1/4	5 7/8	190
3"	13	12 3/8	4 1/2	5 1/4	4 1/8	2 1/16	6 1/16	190
3 1/2"	16 1/2	15 3/8	5 1/2	6 1/4	5 1/8	2 3/4	7 7/16	366
4"	16 1/2	15 3/8	5 1/2	6 1/4	5 1/8	2 3/4	7 7/16	366
MALB								
1"	9 9/8	9 1/16	2 1/2	2 1/4	2 1/16	8 1/2	3 3/8	40
1 1/4"	9 3/8	9 1/16	2 1/2	2 3/4	2 1/16	8 1/2	3 3/8	40
1 1/2"	14 17/32	14 1/4	2 3/4	4	2 13/16	13	5 5/32	128
2"	14 17/32	14 1/4	2 3/4	4	2 13/16	13	5 5/32	128
2 1/2"	21 17/32	21 19/32	4 1/2	5 3/8	4 1/8	18	7 23/32	398
3"	21 17/32	21 19/32	4 1/2	5 3/8	4 1/8	18	7 23/32	398
3 1/2"	28 3/8	28 7/32	5 1/2	6 1/2	5 1/8	24	9 23/32	766.7
4"	28 3/8	28 7/32	5 1/2	6 1/2	5 1/8	24	9 23/32	766.7

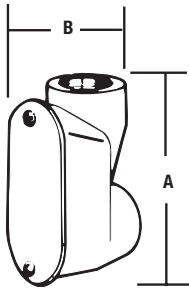
Extra Long Bodies with Covers and Gaskets

CAT. NO.	HUB SIZE	COVER ONLY
ASLB-XL4	1 1/4"	ASLBXL4CV*
ASLB-XL6	2"	ASLBXL6CV*

NOTE: Raintight when used with appropriate Red•Dot® covers.

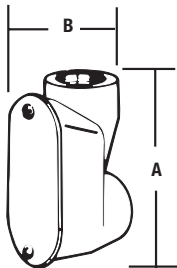
* Cover only.

Service Entrance Fittings



CAT. NO.	TRADE SIZE	A	B	STD. CTN.
ASLB-1	1/2"	3 1/16	1 1/16	50
ASLB-2	3/4"	3 9/16	1 3/4	50
ASLB-3	1"	4 1/4	2 3/16	25
ASLB-4	1 1/4"	5 1/2	3	10
ASLB-5	1 1/2"	6 1/4	3 1/4	10
ASLB-6	2"	6 3/4	4	5
DASLB-1	1/2"	3 1/16	1 1/16	24
DASLB-2	3/4"	3 9/16	1 3/4	20
DASLB-3	1"	4 1/4	2 3/16	8

Service Entrance Fittings — Standard 2 1/2"–4"

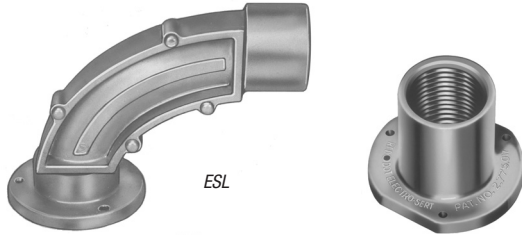


TYPE LB

CAT. NO.	TRADE SIZE	A	B	STD. CTN.
SALB-7	2 1/2"	3 1/16	1 1/16	50
SALB-8	3"	3 9/16	1 3/4	50
SALB-9	3 1/2"	4 1/4	2 3/16	25
SALB-10	4"	5 1/2	3	10

Zinc Concrete Slab Inserts, Elbows and Plugs

Zinc Concrete Slab Inserts, Elbows and Plugs



Applications

- Permits in-slab ceiling drops and floor mounts in poured concrete
- Provides flush threaded conduit hub for mounting, pulling and future access to conduit systems
- Design permits prefabrication of in-slab conduit system

Features/Benefits

- Flush design leaves no broken or bent stubs for easy removal of undamaged forms
- Flush design permits simplified in-slab work
- Flush design leaves a neat, uncluttered job
- Offered in straight ES configuration for straight-through conduit runs and mounting of floor boxes in slabs over 6" thick
- Offered in ESL configuration to eliminate bending of conduit in slabs over 4" thick
- Precision cast and machined surfaces permit safer wire pulling
- ZAMAK 3 Zinc can be embedded in concrete

Standard Material

- Die cast zinc alloy ZAMAK 3. Certified by the Certified Zinc Alloy Plan (CZAP)

Standard Finish

- Natural

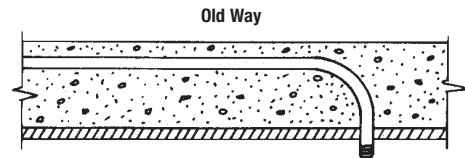
Compliances

- UL Listed
- CSA Certified

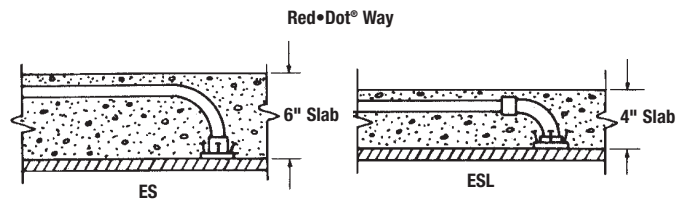
Sample Specifications

- Concrete Slab Inserts shall be die cast Zinc Alloy* ZAMAK 3. All conduit stops shall be coined and free of rough edges. Service Entrance Fittings shall be Red•Dot® Catalog No. _____

* Certified by the American Die Casting Institute



Conduit running in a cement slab is bent 90° to run through a hole drilled in the form. Drilling takes time and damages the form. Stripping form often damages conduit stubs. Varying length of stubs requires individual measuring and cutting of conduit drops.

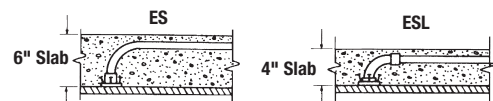
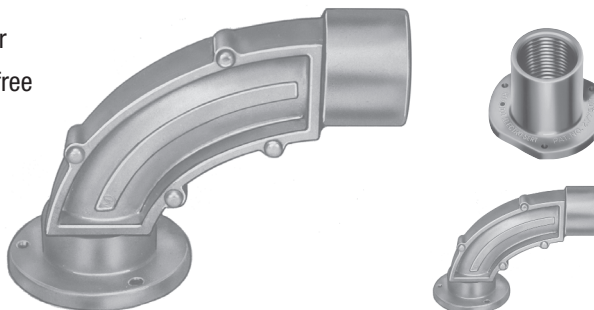


Conduit running in a cement slab is attached to a 90° concrete slab insert, or conduit is bent 90° and is threaded to a straight insert. Nail or screw fitting to wood or metal forms. After concrete is poured and forms stripped, conduit drops quickly into fittings from floor below. Drops are easily measured from ceiling line to switch or outlet height and cut in uniform lengths.

Threaded Rigid/IMC Conduit Inserts

Concrete slab inserts permit in-slab ceiling drops and floor mounts in poured concrete.

- For Rigid and IMC
- Slab insert is nailed to form prior to pour
- Removable seal keeps threads cement free
- ESL eliminates:
 - Bends in 4" concrete slabs
 - Damage to form
 - Cutting off conduit stubs
- UL® Listed, CSA Certified



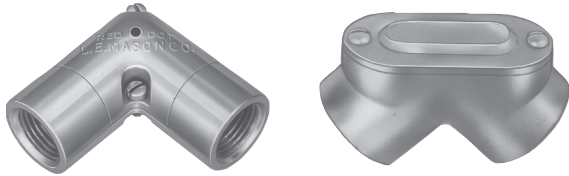
CAT. NO.	HUB SIZE
Straight	
ES-1	½"
ES-2	¾"
ES-3	1"
90°	
ESL-1	½"
ESL-2	¾"
ESL-3	1"

Zinc Concrete Slab Inserts, Elbows and Plugs

Red•Dot® Weatherproof Boxes and Covers

Elbows and Plugs

Female to Female Aluminum Elbows



CAT. NO.	CAT. NO.	HUB SIZE	CAT. NO.	CAT. NO.	HUB SIZE
Corner					
<i>Rigid IMC</i>					
ACE-1	BCE-1	½"	APEF-1	BPEF-1	½"
ACE-2	BCE-2	¾"	APEF-2	BPEF-2	¾"
Pulling					
<i>Rigid IMC</i>					
APEF-1	BPEF-1	½"	APEF-2	BPEF-2	¾"

Close Up Plugs — Zinc

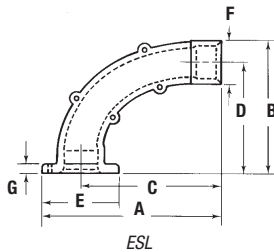


CAT. NO.	COLOR	HUB SIZE
PLG-1-RD	Silver	½"
PLG-2-RD	Silver	¾"
PLG-3-RD	Silver	1"

D-PAK®*

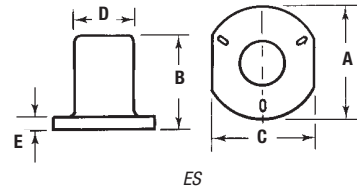
CAT. NO.	COLOR	HUB SIZE
DPLG-1	Silver	½"
DPLG-1-BR	Bronze	½"
DPLG-1-WH	White	½"
DPLG-2	Silver	¾"

ESL



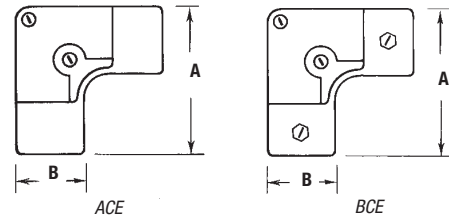
CAT. NO.	SIZE	A	B	C	D	E	F	G
ESL-1	½"	4 ²⁷ / ₃₂	3 ⁵ / ₆₄	3 ²⁹ / ₃₂	3 ³ / ₁₆	1 ¹ / ₈	1 ¹ / ₃₂	¼
ESL-2	¾"	5 ¹¹ / ₁₆	3 ²³ / ₃₂	4 ¹ / ₈	3 ³ / ₃₂	2 ¹ / ₈	1 ¹ / ₄	¼
ESL-3	1"	5 ⁵ / ₃₂	3 ³ / ₄	3 ¹⁵ / ₁₆	2 ⁶³ / ₆₄	2 ⁷ / ₁₆	1 ¹⁷ / ₃₂	¼

ES



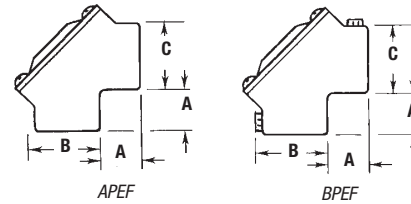
CAT. NO.	SIZE	A	B	C	D	E
ES-1	½"	1 ¹⁹ / ₁₆	1 ¹ / ₁₆	1 ²³ / ₃₂	1 ¹ / ₃₂	¼
ES-2	¾"	2 ¹ / ₆₄	1 ⁵ / ₈	1 ³ / ₃₂	1 ¹ / ₄	¼
ES-3	1"	2 ⁷ / ₁₆	2	2 ⁵ / ₁₆	1 ¹⁷ / ₃₂	¼

ACE and BCE



SIZE	A	B
½"	2 ⁵ / ₈	1 ¹ / ₈
¾"	2 ²¹ / ₃₂	1 ¹ / ₁₆

APEF and BPEF



SIZE	A	B	C
½"	1 ¹ / ₁₆	7 ¹ / ₃₂	1 ¹ / ₈
¾"	1 ¹ / ₁₆	9 ¹ / ₁₆	1 ²³ / ₆₄