



Table of Contents

.....

Floor Boxes Selection Guide.....	C2
Poke-Through and AFM Selection Guide.....	C3
Floor Boxes.....	C4–C5
Flush Service Floor Boxes.....	C6–C9, C16–C37, C44–C45
Residential Floor Boxes.....	C10–C11
Rectangular Floor Boxes.....	C12–C13
Rectangular Floor Box Covers Nonmetallic.....	C14
Rectangular Floor Box Covers Brass and Stainless Steel.....	C15
Round Floor Boxes.....	C38–C41
Recessed Service Floor Boxes.....	C42–C43
Concealed Service Floor Boxes.....	C46–C59
Poke-Through Systems.....	C60–C61
Modular Poke-Through System.....	C62
Flush Power and Communications.....	C63–C68, C74
Furniture Feed.....	C69–C72
Above-Floor Pedestal.....	C73
Access Floor Modules.....	C75–C85
Above-Floor Service Fittings.....	C86
Recessed Service Floor Fittings.....	C87
Keystone / Data Accessories.....	C88
Replacement Parts and Accessories.....	C89–C90
Floor Box Selection Chart.....	C91–C92
Floor Box Cover Selection Chart.....	C93

Floor Boxes Selection Guide

Flush Service Floor Boxes – Outlets at Floor Level

600 Series

Round, Cast Iron

- Tile flange included
- P60 Series Carpet flanges
- P60 Series Covers



(see pages C17 to C19)

68 Series

Round, Stamped Steel

- Tile flange included
- P60 Series Carpet flanges
- P60 Series Covers



(see pages C16 to C19)

68HP Series

Round PVC Floor Box

- 4 Power, 6 Data
- 3 Compartments 1-1/2 in. and 1 in. in-line hubs
- Slide latch cover — No tools required
- Lids lay flat on the floor while-in-use
- Solid brass or aluminum cover

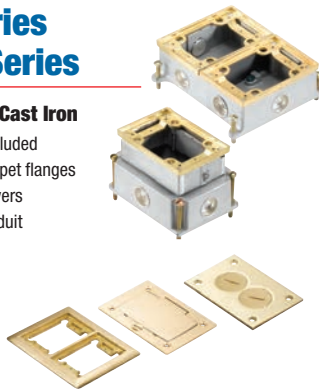


(see pages C32 to C33)

640 Series & 840 Series

Rectangular, Cast Iron

- Tile flanges included
- P64 Series Carpet flanges
- P64 Series Covers
- Up to 2 in. conduit
- Up to 4-gang



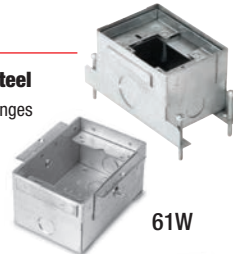
(see pages C24 to C26)

740 Series

Rectangular, Stamped Steel

- 640P Series Tile & Carpet flanges
- P64 Series Covers
- Up to 3-gang

(see pages C28 to C31)



61W

60 Series

Rectangular, Stamped Steel

- For wood sub-floors
- P64 Series Carpet flanges
- P64 Series Covers



62W

(see pages C6 to C8)

640P Series

Rectangular, Nonmetallic

- 640P Series Tile & Carpet flanges
- P64 Series Covers
- Up to 3-gang



(see pages C44 to C44)

Concealed Service Floor Boxes – Outlets Below Floor Level

663 Series

2 Compartments

- P62-TAR adjusting ring & tile flange
- P60 Series Carpet flanges
- P60-3B & P62 Series Covers



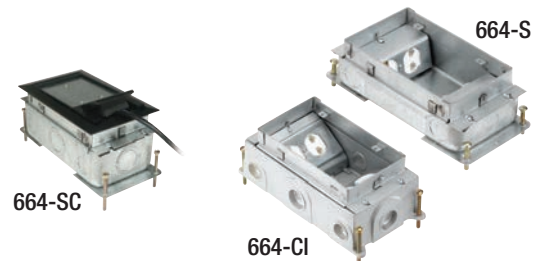
663-SC

(see pages C46 to C47)

664 Series

2 Compartments

- 664 Series Covers (tile & carpet)
- 664-CI: Cast iron
- 664-S: Shallow 2-7/8 in. height



664-SC

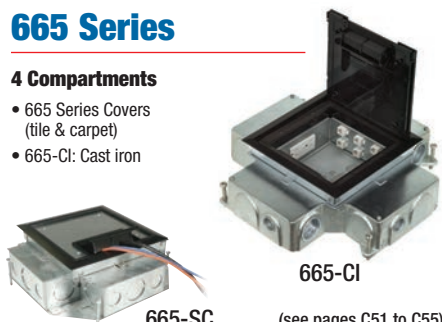
664-CI

(see pages C48 to C50)

665 Series

4 Compartments

- 665 Series Covers (tile & carpet)
- 665-CI: Cast iron



665-SC

(see pages C51 to C55)

668 Series

4 Compartments

- 668 Series Covers (tile & carpet)
- 668 Series Tile flanges
- Shallow 2-1/2 in. height



668-S

(see pages C58 to C59)

667 Series

4 Compartments

- 667 Series Covers (tile & carpet)
- 1 Compartment = 2 Gangs



667-SC

(see pages C56 to C57)

Poke-Through and AFM Selection Guide

Poke-Through Systems

Flush Service



(see pages C62 to C65)

FPT4 Series

- 4 in. Core drill dia.
- 4 Power + 4 communication outlets
- Also 2 power + 6 or 8 communication outlets
- Brass or aluminum cover



(see page C66)

FPT3 Series

- 3 in. Core drill dia.
- Duplex receptacle + 2 communication outlets
- Brass or aluminum cover



(see page C67)

RPT6 Series

- 6 in. Core drill dia.
- Greater capacity than typical 3 in. and 4 in. core poke-throughs
- Configurable compartment bottom junction box includes a cover with 1-1/4 in., 1-1/2 in. or 2 in. KO



(see page C68)

FPT Series

- 3 in. Core drill dia.
- Duplex receptacle
- Brass, aluminum or nonmetallic cover



(see page C69)

FFPT4 Series

- 4 in. Core drill dia.
- 3/4 in. Hub for power & 1-1/4 in. Hub for communication
- Brass or aluminum cover



(see page C70)

FFPT3 Series

- 3 in. Core drill dia.
- Concentric 2 in. & 1-1/4 in. Hubs for power or communication
- Brass or aluminum cover



(see page C71)

FFPT6 Series

- 6 in. Core drill dia.
- Power and/or communication connections: 3/4 in., 1-1/4 in. or 2 in. threaded hubs



(see page C72)

FPT Series

- 3 in. Core drill dia.
- (2) 1/2 in. Hubs & (1) 3/4 in. Hub for power and/or communication
- Nonmetallic cover

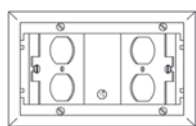
Access Floor Modules (AFM) for Raised Floors

AFM-2 Series

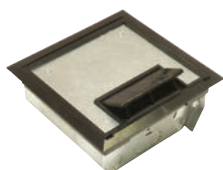


(see pages C74 – C75)

- 2 Compartments

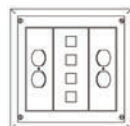


AFM-4 Series

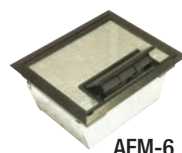


(see pages C76 – C77)

- 3 Compartments

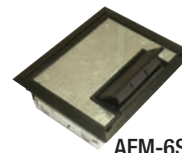
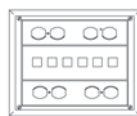


AFM-6 Series



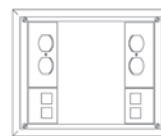
AFM-6

- 3 Compartments

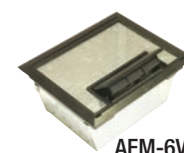


AFM-6S2

- 4 Compartments
- 2-1/2 in. depth for shallow raised plates

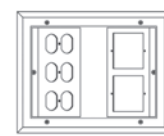


(see pages C78 to C81)



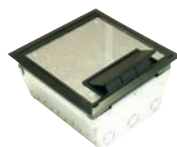
AFM-6V

- 3 Compartments
- Accepts standard wall plates for data jacks

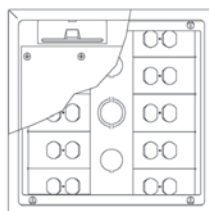


AFM-8 Series

- 10 Compartments



(see page C82)



GAB Series

- GAB-8: Stamped steel
- For use with AFM-8 in concrete applications



GAB-8

(see page C83)

Floor Boxes Systems



665-SC



840, 640 Series —
Flush Multiple Service

The aesthetic and technical needs of today's buildings are as diverse as the equipment that fills them. Small wonder, then, that floor boxes can continue to solve the needs of today and the future as they did in the early 1900's when they were invented.

They are still a contemporary, capable and cost-effective wire management system. Steel City®, a pioneer in both the design and applications of floor boxes since 1904, invites you to discover, or rediscover, the possibilities.

Three Levels of Service



664 Series

Concealed Service

All power, communications and data devices are hidden below the finished floor level.



P60 Series — Power Application



P60 Series — Communication/Data Application



600 Series

Flush Service

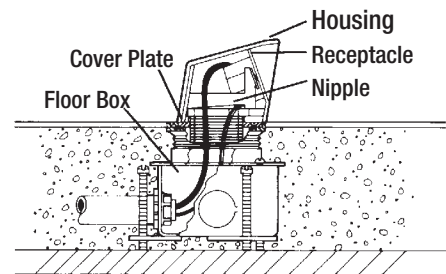
All power devices are mounted at the finished floor level.



SFH-40 Series

Above Floor Service

All power devices are mounted in a service fitting head above the finished floor.



Multiple Service Capabilities: Power, Communication and Data in One Unit



665-SC



AFM-6



665-SC

Building Design Flexibility

Floor Boxes Designed for the Following Applications:



71W Series
(complete kit)



664-SC
Slab on Grade
Steel Deck with
Concrete Pour



664-S
Slab on Grade
Steel Deck with
Concrete Pour



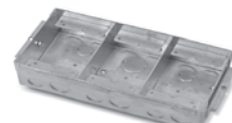
664-CI
Two Pour
Concrete



61-W
Wood Floor



62-W
Wood Floor



63-W
Wood Floor



672
Wood Floor

New Construction or Retrofit Applications



Flush Service Floor Boxes

60W Series Floor Boxes

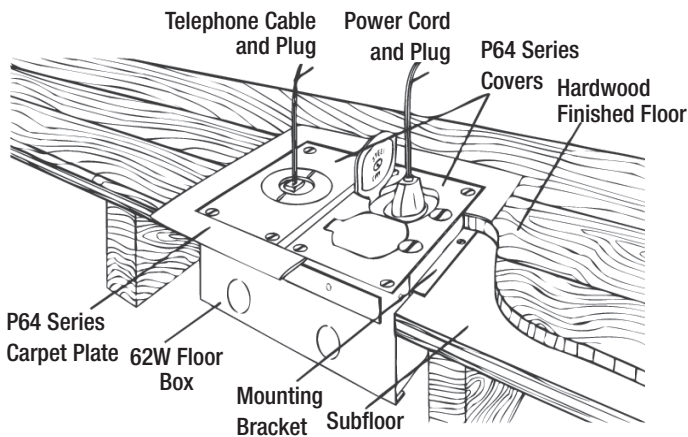


For Wood Subfloors!

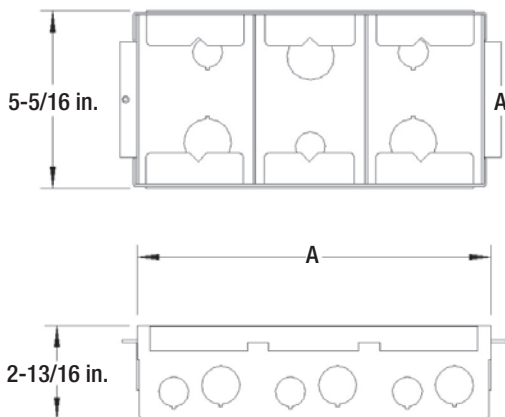
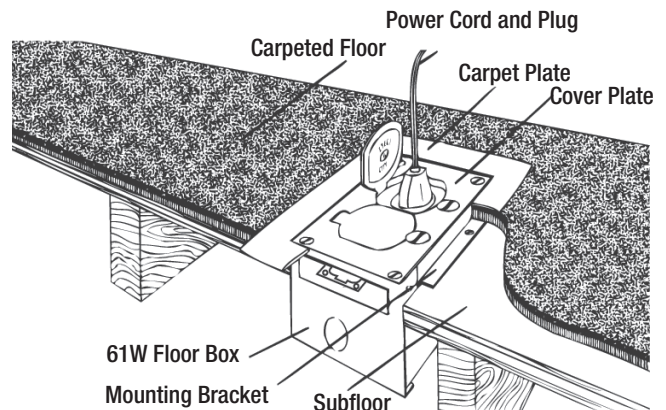
Steel City® 60W Series Floor Boxes provide single – and multi-gang solutions for wood subfloor applications.

- NEW! Three-gang configuration for high-capacity, multi-service installations.
- NEW! Larger KOs (3/4 in. & 1 in.) have been added to each gang for application flexibility.
- Adjustable mounting brackets allow for various finished floor-material heights (**hardwoods, tile or carpet**).

New Construction



Retrofit Construction (Old Work)



60W Series Floor Boxes



Cat. No.	Trade Size (in.)	Capacity	Std. Ctn.
61W	1-Gang Floor Box 3-11/16 in. Ends: (2) 1/2 in., (2) 3/4 in. Bottom: (1) 1/2 in., (1) 1 in.	31 cu. in.	1
62W	2-Gang Floor Box 7-1/16 in. Ends: (4) 1/2 in., (4) 3/4 in. Bottom: (2) 1/2 in., (2) 1 in.	60 cu. in.	
63W	3-Gang Floor Box 10-1/4 in. Ends: (6) 1/2 in., (6) 3/4 in. Bottom: (3) 1/2 in., (3) 1 in.	90 cu. in.	

New

Flush Service Floor Boxes

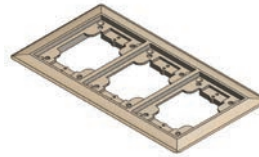
Metallic Carpet Plates for 60W Series



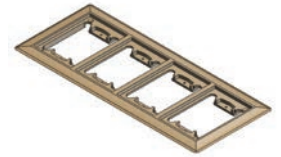
P64-CP



P64-2G-CP



P64-3G-CP



P64-4G-CP

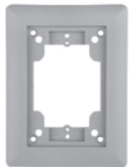


Cat. No.	Number of Gangs	Outside Dimension (in.)	Material	Std. Ctn.
P64-CP	1	4-5/8 x 6-1/8	Brass	4
P64-CP-AL			Aluminum	
P64-2G-CP	2	7-5/8 x 6-1/8	Brass	
P64-2G-CP-AL			Aluminum	
P64-3G-CP	3	10-5/8 x 6-1/8	Brass	
P64-3G-CP-AL			Aluminum	
P64-4G-CP	4	13-5/8 x 6-1/8	Brass	
P64-4G-CP-AL			Aluminum	

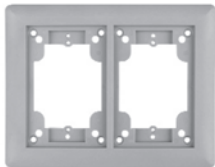
Nonmetallic Carpet Plates for 60W Series

- Translucent polycarbonate material
- Textured finish

- To install LCP Series Plates, remove trim ring and place inside. Replace trim ring on box.



P64P-CP



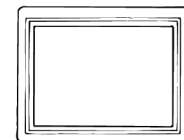
P64P-2G-CP



P64P-3G-CP



P64-LCP



P64-2LCP



P64-3LCP



Cat. No.	Number of Gangs	Description	Finish	Std. Ctn.
P64P-CP-BLK*	1	Single Gang Carpet Plate	Black	4
P64P-CP-GRY*			Grey	
P64P-CP-BGE*			Beige	
P64P-2G-CP-BLK	2	Two Gang Carpet Plate	Black	
P64P-2G-CP-GRY			Grey	
P64P-2G-CP-BGE			Beige	
P64P-3G-CP-BLK	3	Three Gang Carpet Plate	Black	
P64P-3G-CP-GRY			Grey	
P64P-3G-CP-BGE			Beige	
P64-LCP	1	Single Gang Carpet Plate	Clear	
P64-2LCP	2	Two Gang Carpet Plate		
P64-3LCP	3	Three Gang Carpet Plate		

* Not CSA Certified

Flush Service Floor Boxes

MopTite™ Cover Plates for 60W Series

- Polished-brass finish
- Furnished complete with sealing gasket and #8-32 x 7/16 in. brass screws
- 3 in. x 4-1/2 in. outside dimension

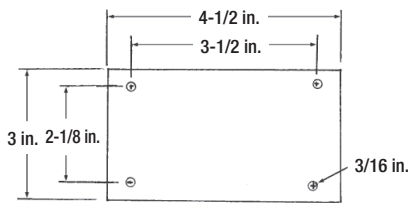


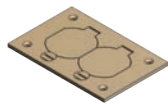
Plate Dimensions



P-64-3/4-AL
3/4 in. & 2 in. dia. plugs



P-64-2-5/8
2-5/8 in. dia. plug



P-64-DS
Duplex Lift Lids



P-64-DU
Duplex 1-7/16 in. plug



P-64-GFCI
Cover Plate GFCI
Flip Lid



P-64-1/2
1/2 in. N.P.S. plug



P-64-3/4
3/4 in. N.P.S. plug



P-64-1
1 in. N.P.S. plug



P-64-1-1/4
1-1/4 in. N.P.S. plug



P-64-2
2 in. dia. plug



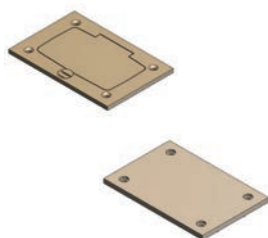
P-64-1/2-2
1/2 in. & 2 in. dia.
plugs

Cat. No.	Description	Finish	Std. Ctn.
P-64-1/2	Cover Plate 1/2 in. N.P.S. Plug	Brass	4
P-64-1/2-AL		Aluminum	
P-64-3/4	Cover Plate 3/4 in. N.P.S. Plug	Brass	
P-64-3/4-AL		Aluminum	
P-64-1	Cover Plate 1 in. N.P.S. Plug	Brass	
P-64-1-AL		Aluminum	
P-64-1-1/4	Cover Plate 1-1/4 in. N.P.S. Plug	Brass	
P-64-1-1/4-AL		Aluminum	
P-64-2	Cover Plate 2 in. UN Plug	Brass	
P-64-2-AL		Aluminum	
P-64-1/2-2	Cover Plate 1/2 in. & 2 in. UN Plugs	Brass	
P-64-1/2-2-AL		Aluminum	
P-64-3/4-2	Cover Plate 3/4 in. & 2 in. UN Plugs	Brass	
P-64-3/4-2-AL		Aluminum	
P-64-2-5/8	Cover Plate 2-5/8 in. UN Plug	Brass	
P-64-2-5/8-AL		Aluminum	
P-64-DU	Cover Plate Duplex 1-7/16 in. Plug	Brass	
P-64-DU-AL		Aluminum	
P-64-DS	Cover Plate Duplex Lift Lid	Brass	
P-64-DS-AL		Aluminum	
P-64-GFCI	Cover Plate GFCI Flip Lid	Brass	
P-64-GFCI-AL		Aluminum	

New MopTite™ Covers exceeds UL Scrub-water exclusion requirements.

MopTite™ Nonmetallic Covers for 60W Series

- Furnished complete with sealing gasket and #8-32 x 7/16 in. screws
- 3 in. x 4-1/2 in. outside dimension



Cat. No.	Description	Finish	Std. Ctn.
P-64-P-URC-BLK	Universal Cover	Black	4
P-64-P-URC-GRY		Grey	
P-64-P-URC-BGE		Beige	
P-64-P-URC-BRN		Brown	
P-64-P-BP-BLK*	Blank Cover	Black	
P-64-P-BP-GRY*		Grey	
P-64-P-BP-BGE*		Beige	

*Not CSA Certified

New MopTite™ Covers exceeds UL Scrub-water exclusion requirements.

Flush Service Floor Boxes

Steel City® Single-Gang Residential Floor Box Kit



Brass finish with duplex receptacle



Nickel finish with GFCI receptacle



Single-Gang Residential Floor Box Kit for Wood Floors

Tired of tripping over extension cords? Look no further than the Steel City® Single-Gang Residential Floor Box Kit from Thomas & Betts. This affordable and conveniently packaged kit for the residential market provides power right where you need it most

- Kit includes switch box, cover, flange and tamper resistant receptacle
- Durable metallic covers and flanges are available in aesthetic brass or nickel finishes
- Available with duplex or GFCI tamper resistant receptacle
- MopTite™ covers meet scrub-water requirements for wood, tile and carpet
- 3 in. x 2 in. Switch Box is 3-1/2 in. deep with 18 cu. in. capacity
- Box includes integral nonmetallic sheathed cable clamps



Technical Specifications

- Material: Box – Galvanized Steel/Cover – Brass or Nickel plated Aluminum/Flange – Die-cast Zinc with Brass or Nickel finish



Cat. No.	Description	Finish	Std. Ctn.
71W-DS-C	Duplex Receptacle	Brass	4
71W-DS-N-C		Nickel	
71W-GFCI-C	GFCI Receptacle	Brass	
71W-GFCI-N-C		Nickel	

Residential Floor Boxes

Drop-In Floor Box



Features

- Single hole installation
- Solid brass cover has a light lacquer finish to resist wear – Ideal for high traffic areas
- Accommodates high and low voltage applications
- Includes single gang grounded* receptacle, low voltage telephone/cable plate (data jacks not included) and blank plate for custom installations
- Available with or without a hole saw
- 11.8 inch cubic capacity
- For wood floor installations
- Ideal for residential and home offices
- Eliminates the need for extension cords
- Superior aesthetics – Ideal for home offices and entertainment rooms
- cULus Listed floor box
- 2.25 in. installation hole diameter

*Tamper-resistant

The Carlon® Drop-In Floor Box with Brass Cover combines many of the same features of our existing Floor Box line with the strength, durability and style necessary to accommodate today's residential electrical/telecommunication needs.

The Carlon Drop-in-Floor Box is the easiest way for contractors to put a floor socket anywhere they need it! It's designed to accommodate high and low voltage applications and comes complete with everything needed for installation – Floor box, Brass Cover, hole saw, wired receptacle, two-hole low voltage plate, blank plate, mounting screws and wire connectors.

Note: The Drop-In Floor Box is available with or without a hole saw.

Installed



Specifications



Cat. No.	Cover	Description	Std. Ctn. Qty.	Std. Ctn. Wt. (lb.)
E971FBDI-2	Brass	With Hole Saw	5	6.5
E971FBDIB-2		Without Hole Saw	20	17.6
E971FADI-2	Aluminum	With Hole Saw	5	6.5
E971FADIB-2		Without Hole Saw	20	17.6

Residential Floor Boxes

Installation

Warning: De-energize system prior to installation



1. Cut a 2-3/8 in. hole through carpeting before using hole saw.



2. Drill hole in floor using hole saw.



3. Pull cable through floor.



4. Connect receptacle wires to cable. Be sure to match wire colour(s).



5. Secure wire clamp on bottom of tube.



6. Brass cover snaps into place. Use a small screwdriver to pry open brass cover to plug in appliance.



7. Align the three latches on the low voltage plate with the three latch holes in the round floor box tube.



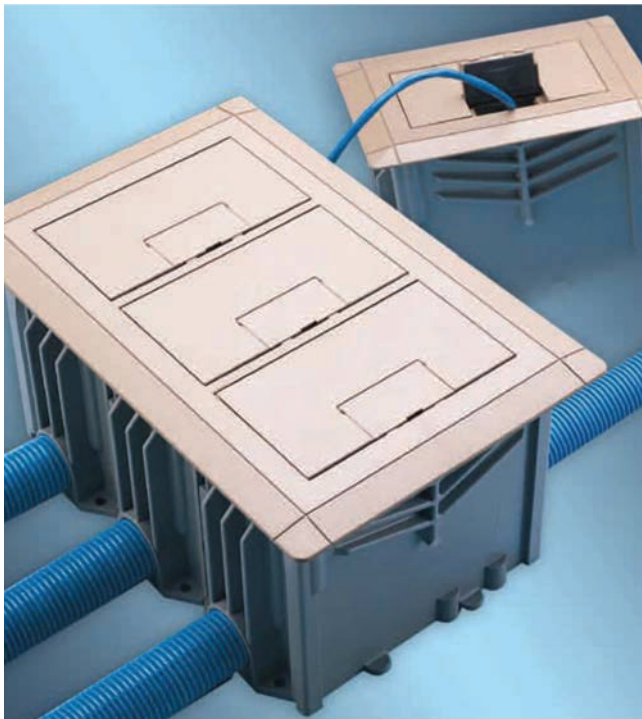
8. Remove receptacle by pressing three tabs located on side of tube.

Rectangular Floor Boxes

1-, 2- and 3-Gang

Features

- Covers require no adjusting collar. Two screws assure a flush, secure installation.
- Nonmetallic PVC construction, watertight gasket and corrosion-resistant hardware assure long life and reliable performance even in harsh and/or corrosive environments
- One consistent box depth simplifies ordering time and reduces inventory
- Saves time and money on installations with simple saw cut to floor level
- Concrete tight and suitable for any on grade/below grade application; concrete or wood sub-floor construction approved
- Convenient cubic inch capacity markings on inside allow for easy inspection
- PVC molded hubs and reducer plugs included
- Accepts 1/2 in., 3/4 in. and 1 in. conduit tubing or raceway
- Rectangular sides are drillable
- For tile and carpet applications
- Cover options include solid brass, stainless steel and nonmetallic (brown, slate and caramel)
- UL scrub water tested, approved for all types of finished flooring



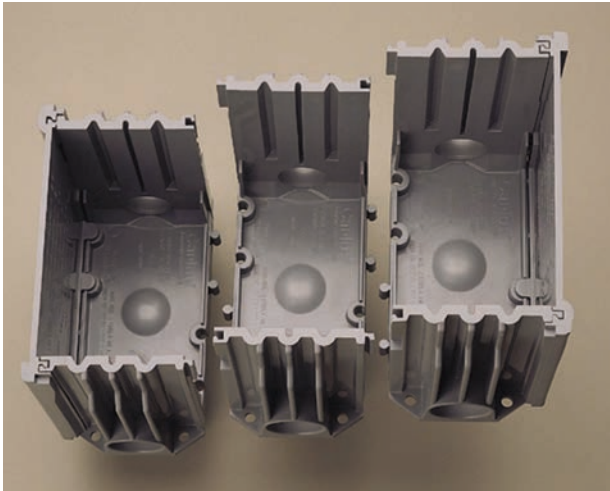
Carlton® Rectangular Floor Box Systems – two-way, data and communications plus easy double or triple ganging, too.

Two-in-one data and communications capability cuts installation time and cost even more, while simple two- and three-gang modularity gives you the flexibility, installation ease and cost-savings no other nonmetallic boxes can.

The covers attach without the use of fasteners, providing a professional, clean installation as well as preserving the aesthetic look of the product. Take a close look at what our rectangular floor box systems can offer you.

Rectangular Floor Boxes

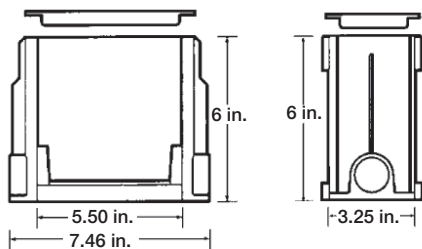
Installation



With our rectangular boxes, one SKU is all you ever need. Simply remove appropriate sides and slide boxes together to create two- or three-gang boxes for on-the-job flexibility no competitor offers.

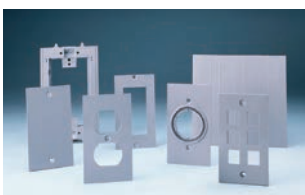
Specifications

Rectangular Floor Box



Cat. No.	Material	Number of gangs	Internal Volume (cu. in.)	Min. Concrete Depth (in.)	Hubs	Reducer Plugs	Std. Ctn. Qty.	Std. Ctn. Wt. lb.
E976RFB	PVC	1	97.4 (16.8 per inch of depth)	3-1/2	(2) 1 in.	(2) 1 in. x 3/4 in. (2) 3/4 in. x 1/2 in.	3	6.92

Activation Kit



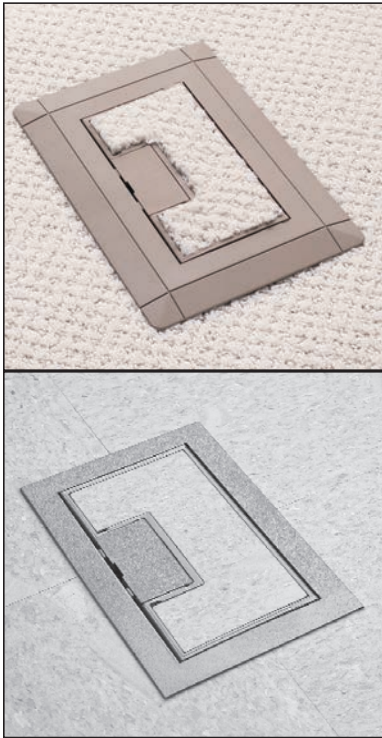
Activation kit provides components to accommodate all data and communications devices plus a divider.



Cat. No.	Material	Std. Ctn. Qty.	Std. Ctn. Wt. lb.
E976AK2	PVC	3	2.47

Rectangular Floor Box Covers Nonmetallic

1-, 2- and 3-Gang



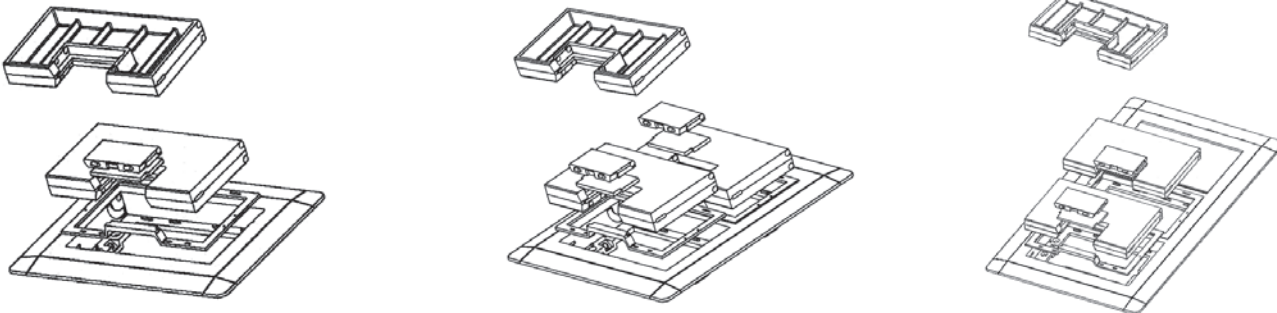
Features

- High impact resistant thermoplastic
- Field reversible for tile or carpet
- Gasketed for a watertight seal
- Double door design
- For tile and carpet applications
- Scrub water tested

On-the-job flexibility extends to our rectangular box covers. Each one-, two or three-gang cover is suitable for any wiring application and can be used with **any floor surface**. Nonmetallic covers are even field reversible for tile or carpet. Double door feature allows easy access to the device and helps keep stray cords organized.

Carlton® Rectangular Floor box covers do not require a separate carpet flange. The carpet flange is part of the cover and may be removed for tile application.

Specifications



Cat. No.	Number of gangs	Colour	Carpet Flange	Dimensions (W x L) (in.)	Std. Ctn. Qty.	Std. Ctn. Wt. (lb.)
E9761B	1	Brown	Included	7.13 x 5.00	3	1.7
E9762B	2			7.13 x 8.25	9	8.5
E9763B	3			7.13 x 11.50	6	7.5
E9761C	1	Caramel		7.13 x 5.00	3	1.7
E9762C	2			7.13 x 8.25	9	8.5
E9763C	3			7.13 x 11.50	6	7.5
E9761S	1	Slate		7.13 x 5.00	3	1.7
E9762S	2			7.13 x 8.25	9	8.5
E9763S	3			7.13 x 11.50	6	7.5

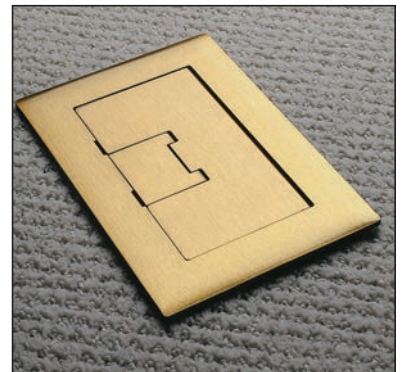
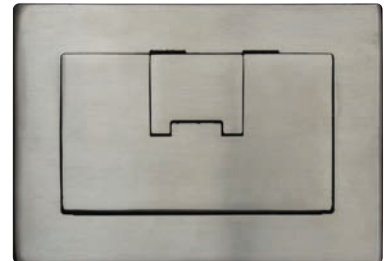
Rectangular Floor Box Covers Brass and Stainless Steel

1-, 2- and 3-Gang

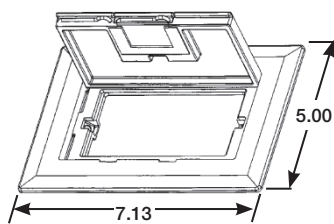
Features

- Rugged construction
- Coated with a light lacquer finish for extra protection
- Covers include a cord door
- Gasketed for watertight applications
- Scrub water tested

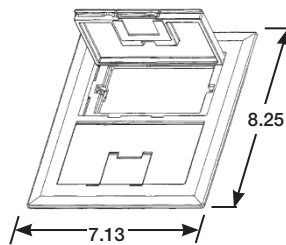
Carlton® Brass and Stainless Steel rectangular Floor Box Covers add a classic touch to all floor box installations and are particularly suited for use in high-traffic areas because of the resistance to wear. The gasket gives a watertight seal and the light lacquer finish provides extra protection.



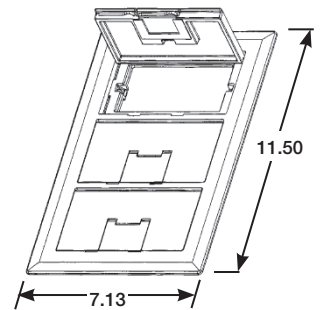
Specifications



One-Gang



Two-Gang



Three-Gang



Cat. No.	Number of gangs	Material	Std. Ctn. Qty.	Std. Ctn. Wt. (lb.)
E9761BR	1	Brass	3	6.8
E9762BR	2		3	9.9
E9763BR	3		3	12.1
E9761SS	1	Stainless Steel	3	7.4
E9762SS	2		3	11.6
E9763SS	3		3	17.2

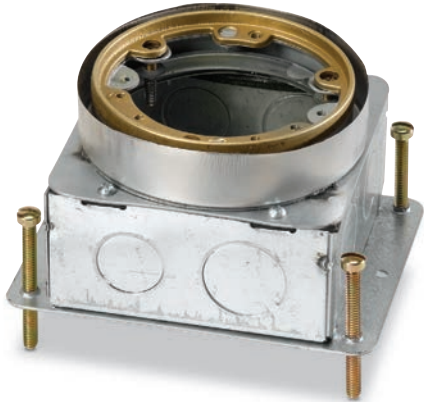
Cat. No.	Description	Std. Ctn. Qty.	Std. Ctn. Wt. (lb.)
E976AK2	Rectangular Floor Box Activation Kit	3	2.47

Flush Service Floor Boxes

Round Floor Boxes for Power or Communications: 68 Series

Features

- Stamped steel, concrete-tight, fully adjustable
- Electro-galvanized body and hardware
- Interior and exterior leveling screws permit adjustment to meet finished floor
- Shipped complete with expendable cap to prevent ingress of concrete during pour
- 1/2 in., 3/4 in. and 1 in. knockouts – all bottom knockouts are accessible
- Uses P60 Series MopTite™ covers and carpet plate
- For brushed aluminum, add AL after catalogue number

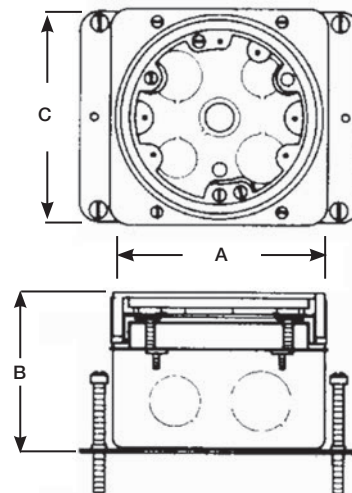


68 Series Floor Boxes provide flush service for power or communications/data.
68 Series Floor Boxes can be used for **carpet or tile applications**.

68 Series — Stamped Steel



Cat. No.	Description	Std. Ctn
68-D	Deep	4
68-D-AL	Aluminum Deep	
68-S	Shallow	
68-S-AL	Aluminum Shallow	



Engineering Data — 68 Series



Cat. No.	Dimensions (in.)			Before Pour Adj. (in.)	After Pour Adj. (in.)	Maximum Capacity (cu. in.)	KOS (in.)	
	A	B	C				Sides	Bottom
68-D	4-1/4	3-5/8	4-11/16	2-1/2	1/2	60	(4) 3/4	(2) 1/2
68-S		2-3/4					(4) 1	(2) 3/4

Use P-60 Series covers and carpet plates. Wiring Device: Duplex, single or voice/data plates

Flush Service Floor Boxes

Round Floor Boxes for Power or Communications: 600 Series

Features

- Cast iron, watertight body, fully adjustable
- Painted silver enamel inside and out for additional corrosion resistance
- Interior and exterior leveling screws permit adjustment to meet finished floor
- Shipped complete with expendable cap to prevent ingress of concrete during pour
- 3/4 in. threaded conduit openings are standard
- Uses P60 Series MopTite™ covers and carpet plate
- For brushed aluminum, add AL after catalogue number

600 Series Floor Boxes provide flush service for power or communications/data. 600 Series Floor Boxes can be used **for carpet or tile applications.**



600 Series — Cast Iron

Cat. No.	Description	Std. Ctn.
600-SC	3/4 in. Conduit Tapping	4
600-AL-SC	Aluminum Trim Ring	
600-1-SC	1 in. Conduit Tapping	
600-2-SC	2 in. Conduit Tapping	
601-1/2-SC	1/2 in. Conduit Tapping	
601-SC	3/4 in. Conduit Tapping	
601-1	1 in. Conduit Tapping	
601-1-1/4	1-1/4 in. Conduit Tapping	
602-SC	3/4 in. Conduit Tapping	
603-SC	3/4 in. Conduit Tapping	
603-AL-SC	3/4 in. Conduit Tapping with Aluminum Trim Ring	
604-SC	3/4 in. Conduit Tapping	
604-AL-SC	3/4 in. Conduit Tapping with Aluminum Trim Ring	

P-60 Covers sold separately

Engineering Data — 600 Series

Cat. No.	Dimensions (in.)			Before Pour Adj. (in.)	After Pour Adj. (in.)	Maximum Capacity (cu. in.)	Standard Conduit Tapping (in.)	Maximum Conduit Tapping (in.)		KOS (in.)	
	A	B	C					w/Bushing	w/o Bushing	Sides	Bottom
600-SC	4-1/4	4-1/4	5-1/8	2-1/2	15/16	64	3/4	1-1/2	2	(4) 3/4	(2) 3/4
600-1-SC							1	1	1		
600-1-1/4							1-1/4	1-1/4	1-1/4		
600-2-SC							2	1-1/2	2		
601-SC	4-1/4	3-9/16	4	2-1/2	15/16	56	3/4	1	1-1/4	-	-
601-1							1	1	1		
601-1-1/4							1-1/4	1-1/4	1-1/4		
602-SC	4-1/4	3-1/32	4	2-1/2	11/16	36	3/4	3/4	1	-	-
603-SC		2-1/2							3/4		
604-SC		2							1-1/2		

Use P-60 Series covers and carpet plates. Wiring Device: Duplex, single or voice/data plates

Flush Service Floor Boxes

MopTite™ Carpet Plates for 68 and 600 Series



P-60-3/4-2-CACP

- Polished brass finish
- Carpet plate with 3/4 in. and 2 in. plugs
- Furnished complete with sealing gasket and 8-32 x 1 in. brass screws
- 5-3/4 in. outside diameter



P-60-CP

- Polished brass finish
- Furnished complete with 8-32 x 1 in. brass screws
- For brushed aluminum, add AL after catalogue number



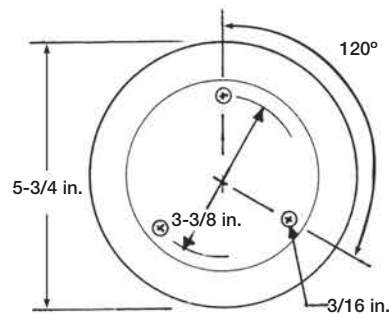
P-60-LCP

- Translucent polycarbonate
- Textured finish



P-60-CACP

- Polished brass finish
- Carpet plate with duplex hinged lift lids
- Furnished complete with sealing gasket and 8-32 x 1 in. brass screws
- 5-3/4 in. outside diameter



P-60-CACP-GFCI

- Polished brass finish
- Carpet plate with GFCI lift lids
- Furnished complete with sealing gasket and 8-32 x 1 in. brass screws
- 5-3/4 in. outside diameter

Cat. No.	Description	Finish	Std. Ctn.
P-60-CP	Carpet Plate, 5-11/16 in. diameter	Brass	4
P-60-CP-AL	Carpet Plate	Aluminum	
P-60-LCP	Carpet Plate, 5-3/8 in. diameter	Brass	
P-60-CACP	One-Piece Carpet Cover Plate	Brass	
P-60-CACP-AL	One-Piece Carpet Cover Plate	Aluminum	
P-60-3/4-2-CACP	One-Piece Carpet Plate with 3/4 in. – 2 in. Plugs	Polycarbonate	
P-60-3/4-2-CACP-AL	One-Piece Carpet Plate with 3/4 in. – 2 in. Plugs	Aluminum	
P-60-CACP-GFCI	One-Piece Carpet Plate for GFCI Devices	Brass	
P-60-CACP-GFI-AL	One-Piece Carpet Plate for GFCI Devices	Aluminum	

For replacement parts, please refer to pages C89 – C90.

Flush Service Floor Boxes

MopTite™ Carpet Plates for 68 and 600 Series

- Polished brass finish
- Furnished complete with sealing gasket and 8-32 x 7/16 in. brass screws
- 4 in. outside diameter



P-60-DS*
Hinged Lift Lids



P-60-DU*
Duplex 1-7/16 in. Lid



Cat. No.	Description	Finish	Std. Ctn.
P-60-1/2	1/2 in. N.P.S. Plug Size	Brass	4
P-60-1/2-AL		Aluminum	
P-60-3/4	3/4 in. N.P.S. Plug Size	Brass	
P-60-3/4-AL		Aluminum	
P-60-1	1 in. N.P.S. Plug Size	Brass	
P-60-1-AL		Aluminum	
P-60-1-1/4	1-1/4 in. N.P.S. Plug Size	Brass	
P-60-1-1/4-AL		Aluminum	
P-60-2	2 in. Diameter Plug Size	Brass	
P-60-2-AL		Aluminum	
P-60-2-5/8	2-5/8 in. Diameter Plug Size	Brass	
P-60-2-5/8-AL		Aluminum	
P-60-1/2-2	1/2 – 2 in. Diameter Plug Size	Brass	
P-60-1/2-2-AL		Aluminum	
P-60-3/4-2	3/4 – 2 in. Diameter Plug Size	Brass	
P-60-3/4-2-AL		Aluminum	
P-60-DR	With Duplex Lift Lid	Brass	
P-60-DS	For Duplex with Individual Lift Lids	Brass	
P-60-DS-AL		Aluminum	
P-60-DU	With Two 1-7/16 in. Plugs for Duplex	Brass	
P-60-DU-AL		Aluminum	
P-60-GFCI	For GFCI Devices	Brass	
P-60-GFCI-AL		Aluminum	

68P-FL or 68P-FL-AL required to attach cover plates to 68-P floor box
 New MopTite™ Covers exceed UL watertight requirements for 514A, 514C
 For replacement parts please refer to pages C89 – C90.



P-60-1/2
1/2 in. N.P.S. plug



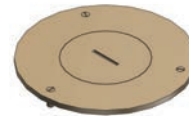
P-60-3/4
3/4 in. N.P.S. plug



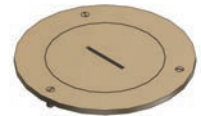
P-60-1
1 in. N.P.S. plug



P-60-1-1/4
1-1/4 in. N.P.S. plug



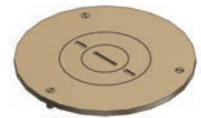
P-60-2*
2 in. dia. plug



P-60-2-5/8*
2-5/8 in. dia. plug



P-60-1/2-2*
1/2 in. & 2 in. dia. plugs



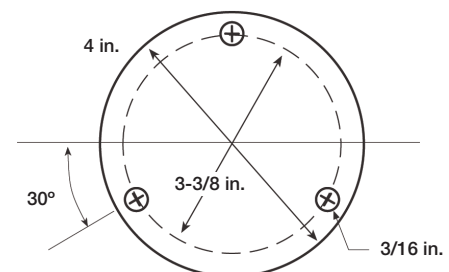
P-60-3/4-2*
3/4 in. & 2 in. dia. plugs



P-60-DR*
Duplex lift lid



P-60-GFCI*
For GFCI Devices



*Also includes steel seating plate for receptacles

Flush Service Floor Boxes

Floor Boxes for Single Short-Strap Receptacle or Communications

Features — 78 Series

- Cast iron, watertight body, semi-adjustable
- Painted silver enamel inside and out for additional corrosion resistance
- Exterior leveling screws and threaded vertical adjusting ring permit adjustment to meet finished floor
- Shipped complete with expendable cap to prevent ingress of concrete during pour
- 3/4 in. threaded conduit openings
- Uses P90 Series MopTite™ covers and carpet plate

Features — 88 Series

- Stamped steel, concrete-tight, semi-adjustable
- Electro-galvanized body and hardware
- Exterior leveling screws and threaded vertical adjusting ring permit adjustment to meet finished floor
- Shipped complete with expendable cap to prevent ingress of concrete during pour
- 1/2 in. and 3/4 in. knockouts – all bottom knockouts accessible
- Uses P90 Series MopTite™ covers and carpet plate

Service Fitting Application

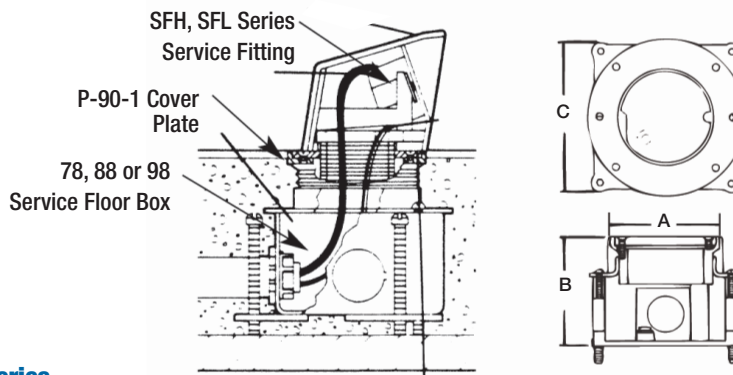
78 and 88 Series Floor Boxes provide flush service for power or communications and data. They can be used for either **carpet or tile applications**.



78 and 88 Series Floor Boxes



Cat. No.	Description	Std. Ctn.
78-SC	Cast-Iron Floor Box with 3/4 in. Conduit Tapping	4
78-S	Cast-Iron Floor Box (shallow)	
88-S	Shallow Version Stamped Steel	



Engineering Data — 78 and 88 Series



Cat. No.	Dimensions (in.)			Before Pour Adj. (in.)	After Pour Adj. (in.)	Maximum Capacity (cu. in.)	Standard Conduit Tapping (in.)	Maximum Conduit Tapping (in.)		KOS (in.)		Covers and Carpet Plates	Wiring Device
	A	B	C					w/Bushing	w/o Bushing	Sides	Bottom		
78-SC	3	2-13/16	3-7/8	2-1/2	3/4	24	3/4	1	-	-	P90 Series	Sing. Short, Strap rec.	
78-S		2-5/8		1-1/2		20							
88-S		2-3/4	5-3/4	1-1/2		23							-
									(2) 3/4	(2) 3/4			

Flush Service Floor Boxes

MopTite™ Cover Plates for 78 and 88 Series

- Polished brass finish
- Furnished complete with sealing gasket and 6-32 x 1/2 in. brass screws
- 2-13/16 in. outside diameter
- For brushed aluminum, add AL after catalogue number



P-90-1/2
1/2 in. N.P.S. plug



P-90-3/4
3/4 in. N.P.S. plug



P-90-1
1 in. N.P.S. plug



P-90-1-1/4
1-1/4 in. N.P.S. plug



P-90-2*
2 in. dia. plug



P-90-1/2-2*
1/2 in. & 2 in. dia. plugs



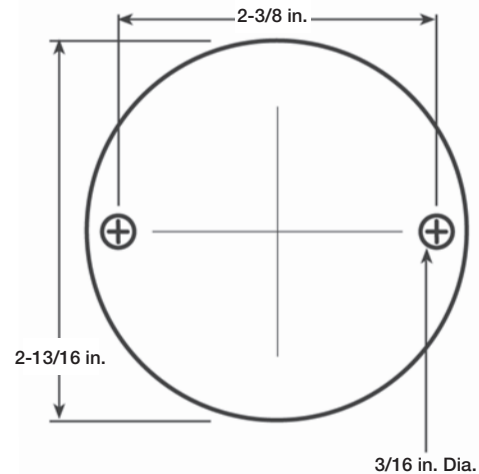
P-90-3/4-2*
3/4 in. & 2 in. dia. plugs

* Also includes steel seating plates for receptacles



Cat. No.	Cover Plate Description	Finish	Std. Ctn.
P-90-1/2	1/2 in. N.P.S. Plug Size	Brass	4
P-90-3/4	3/4 in. N.P.S. Plug Size		
P-90-3/4-AL			
P-90-1	1 in. N.P.S. Plug Size	Brass	
P-90-1-AL			
P-90-1-1/4	1-1/4 in. N.P.S. Plug Size	Brass	
P-90-1-1/4-AL			
P-90-2	2 in. Diameter Plug Size	Brass	
P-90-2-AL			
P-90-1/2-2	1/2 in. – 2 in. Diameter Plug Size	Brass	
P-90-3/4-2			
P-90-3/4-2-AL			

New MopTite™ Covers exceed UL watertight requirements for 514A, 514C
For above-floor service fittings for 78, 88 and 98 Series floor boxes, see page C84.



Accessories for 78 and 88 Series Floor Boxes



478-G-12

- 15 Amp, 125 Volt, NEMA grounding type
- Mounted on Steel Seating Plate
- For use with 2 in. diameter opening floor plate



8805-E

- Extends vertical adjusting ring 1-1/8 in.
- 7 cubic inch capacity



Cat. No.	Description	Std. Ctn.
8805-E	Extension Adjusting Ring	4
478-G-12	15 Amp 125 Volt NEMA Grounding Receptacle	

Will not accept P90 covers. Will accept 694 threaded plug

Carpet Plate for 78 and 88 Series Floor Boxes

- Polished brass finish
- Furnished complete with 6-32 in. x 1 in. brass flathead screws and gasket
- Threaded 2-20-UN-2B to accept 694 plug
- 3-3/8 in. O.D. with 5/8 in. flange
- For brushed aluminum, add AL after catalogue number



P-90-CP



Cat. No.	Description	Finish	Std. Ctn.
P-90-CP	Carpet Plate	Brass	4
P-90-CP-AL		Aluminum	

Flush Service Floor Boxes

Floor Boxes for single Short-Strap Receptable or Communications



672

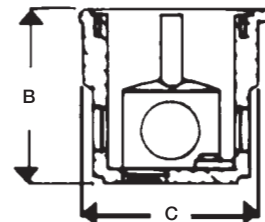
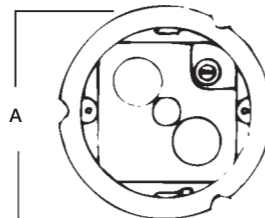


671SC

671 and 672 Floor Boxes

671 and 672 Series Floor Boxes provide flush service for power, communications and data. They can be used in either wood or concrete floors and are suitable **for carpet, tile or wood applications.**

- Cast iron, watertight body, non-adjustable
- Painted silver enamel inside and out for additional corrosion resistance
- For use in wood or concrete floors
- 1/2 in. and 3/4 in. threaded conduit openings; uses P67 Series covers
- Cat. No. 672 is the 671 floor box with factory-mounted 15 ampere, 125 Volt, NEMA grounding receptacle and P67-2 MopTite™ cover plate



Engineering Data — 671 and 672 Series

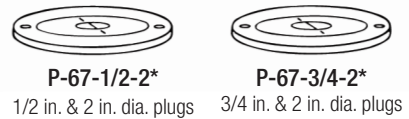
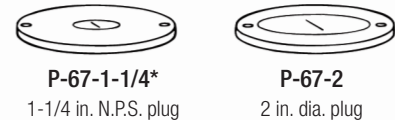
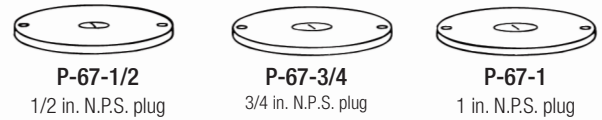
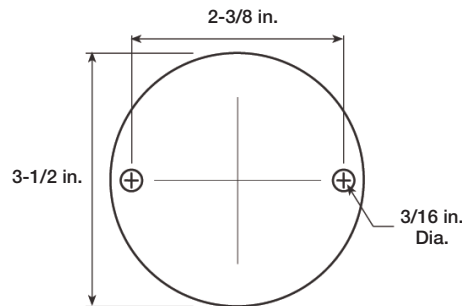


Cat. No.	Dimensions (in.)			Maximum Capacity (cu. in.)	Maximum Conduit Tapping (in.)		Conduit KO's (in.)		Wiring Device	Std. Ctn.
	A	B	C		Tapping	w/o Bushing	Sides	Bottom		
671 SC	3-1/2	3	2-31/32	13	3/4	3/4	2 - 1/2	2 - 1/2	Sing. Short Strap rec.	4
672		3-3/16					2 - 3/4			

Flush Service Floor Boxes

MopTite™ Cover Plates for 671 and 672 Series

- Polished brass finish
- Furnished complete with sealing gasket and 6-32 x 1/2 in. brass screws
- 3-1/2 in. outside diameter



*Also includes seating plate for receptacle



Cat. No.	Description	Finish	Std. Ctn.
P-67-1/2	Cover Plate with 1/2 in. N.P.S. Plug	Brass	4
P-67-3/4*	Cover Plate with 3/4 in. N.P.S. Plug		
P-67-3/4-AL	Cover Plate with 3/4 in. N.P.S. Plug	Aluminum	
P-67-1*	Cover Plate with 1 in. N.P.S. Plug	Brass	
P-67-1-AL*	Cover Plate with 1 in. N.P.S. Plug	Aluminum	
P-67-1-1/4	Cover Plate with 1-1/4 in. N.P.S. Plug	Brass	
P-67-2	Cover Plate with 2 in. UN Threaded Plug	Aluminum	
P-67-2-AL	Cover Plate with 2 in. UN Threaded Plug		
P-67-1/2-2*	Cover Plate with 1/2 in. & 2 in. Plug	Brass	
P-67-3/4-2	Cover Plate with 3/4 in. & 2 in. Plug		

* Not CSA Certified

Accessories for 671 and 672 Series Floor Boxes



478-G-12

- 15 Amp, 125 Volt, NEMA grounding type
- Mounted on steel seating plate
- For use with 2 in. diameter opening floor plate



P-67-F

- Use brass edge ring for neat appearance when non-adjustable floor box is installed in concrete
- Edge ring has 3-3/4 in. OD and adds 3/8 in. to floor box height



Cat. No.	Description	Std. Ctn.
P-67-F	Edge Ring	4
478-G-12	15 Amp 125 Volt NEMA Grounding Receptacle	

Carpet Plate for 671 and 672 Series Floor Boxes

- Polished brass finish
- Furnished complete with 6-32 in. x 1 in. brass flathead screws and gasket
- 3-3/8 in. O.D. with 5/8 in. flange
- For brushed aluminum, add AL after catalogue number



P-90-CP



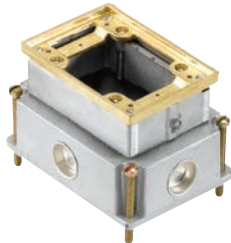
Cat. No.	Description	Finish	Std. Ctn.
P-90-CP	Carpet Plate	Brass	4
P-90-CP-AL		Aluminum	

Flush Service Floor Boxes

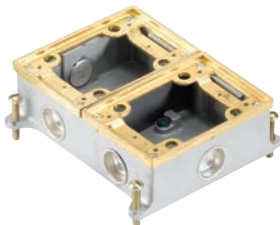
Multi-Gang Floor Boxes for Power and Communications

Features — 640 Series

- Cast iron, watertight body, fully adjustable
- Painted silver enamel inside and out for additional corrosion resistance
- Interior and exterior leveling screws permit adjustment to meet finished floor
- Removable partitions for large capacity requirements on 2-, 3- and 4- gang
- Shipped complete with expendable cap to prevent ingress of concrete during pour
- 3/4 in. threaded conduit openings are standard
- Uses P64 Series MopTite™ covers (one cover per gang)
- For brushed aluminum, add AL after catalogue number



641



842SC

Features — 840 Series (shallow)

- Cast iron, watertight body, fully adjustable
- Painted silver enamel inside and out for additional corrosion resistance
- Exterior leveling screws for adjustment to finished floor
- Removable partitions for large capacity requirements on 2- and 3- gang
- Shipped complete with expendable cap to prevent ingress of concrete during pour
- 3/4 in. threaded conduit openings are standard
- Uses P64 Series MopTite™ covers (one cover per gang)
- For brushed aluminum, add AL after catalogue number

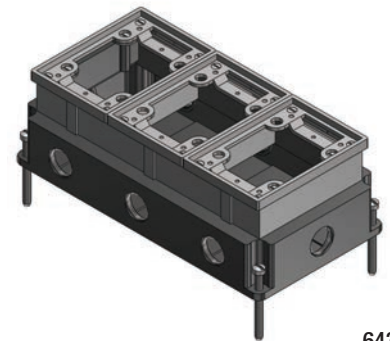


640 and 840 Series Floor Boxes provide flush service for power, communications and data. Multiple-gang boxes enable the user to place high- and low-voltage in a single floor box. Floor boxes up to four-gangs are available. 640 and 840 Series boxes can be used for either **carpet or tile applications**.

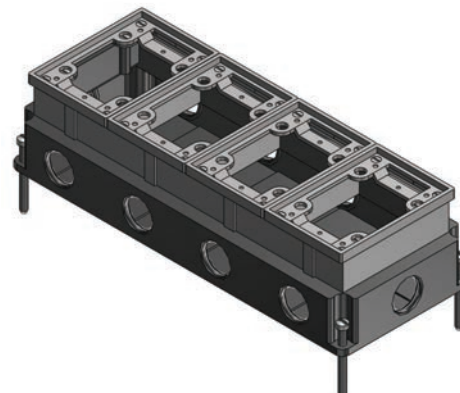
Cat. No.	Description	Std. Ctn.
641	Single-Gang Floor Box with 3/4 in. Conduit Tapping	4
641-1	Single-Gang Floor Box with 1 in. Conduit Tapping	
641-AL	Single-Gang with Aluminum Trim	
SP-641-1-AL*	Single-Gang Floor Box with 1 in. Conduit Tapping and Aluminum Tile Trim	
642	Two-Gang Floor Box with 3/4 in. Conduit Tapping	2
642-1	Two-Gang Floor Box with 1 in. Conduit Tapping	
642-AL	Two-Gang with Aluminum Trim	
SP-642-1-AL*	Two-Gang Floor Box with 1 in. Conduit Tapping and Aluminum Tile Trim	
643	Three-Gang Floor Box with 3/4 in. Conduit Tapping	1
643-1	Three-Gang Floor Box with 1 in. Conduit Tapping	
643-AL	Three-Gang Floor Box with Aluminum Trim	
SP-643-1-AL*	Three-Gang Floor Box with 1 in. Conduit Tapping and Aluminum Tile Trim	
644	Four-Gang Floor Box with 3/4 in. Conduit Tapping	4
644-AL	Four-Gang Floor Box with Aluminum Trim	
841-SC	Single-Gang Floor Box with 3/4 in. Conduit Tapping	
841-AL	Single-Gang Floor Box with Aluminum Trim	
842-SC	Two-Gang Floor Box with 3/4 in. Conduit Tapping	2
842-AL-SC	Two-Gang Floor Box with Aluminum Trim	
843-SC	Three-Gang Floor Box with 3/4 in. Conduit Tapping	1
843-AL-SC	Three-Gang Floor Box with Aluminum Trim	

* Not CSA Certified

Boxes supplied with brass tile trim unless otherwise specified



643



644

Flush Service Floor Boxes

MopTite™ Cover Plates for 640 and 840 Series

- Polished brass finish
- Furnished complete with sealing gasket and 8-32 x 7/16 in. brass screws
- 3 in. x 4-1/2 in. outside dimensions
- For brushed aluminum, add AL after catalogue number

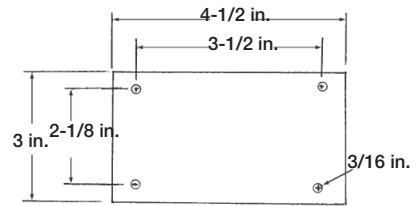
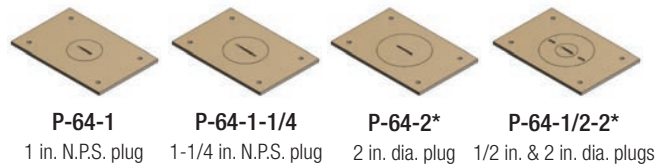
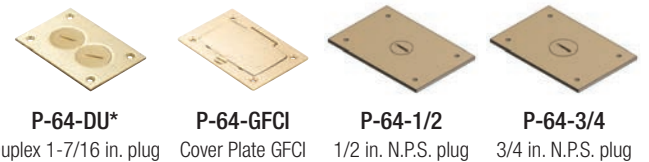
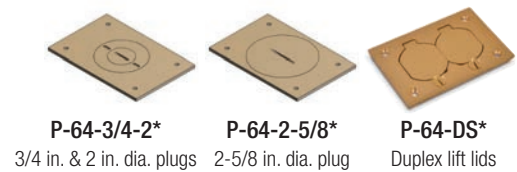
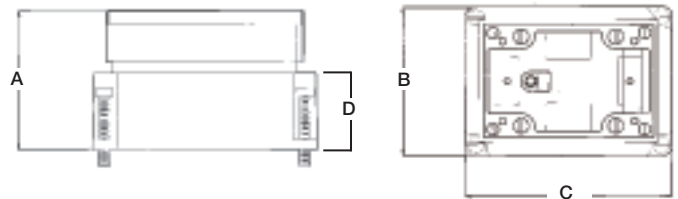


Plate Dimensions

Cat. No.	Description	Finish	Std. Ctn.
P-64-1/2	Cover Plate 1/2 in. N.P.S. Plug	Brass	4
P-64-1/2-AL		Aluminum	
P-64-3/4	Cover Plate 3/4 in. N.P.S. Plug	Brass	
P-64-3/4-AL		Aluminum	
P-64-1	Cover Plate 1 in. N.P.S. Plug	Brass	
P-64-1-AL		Aluminum	
P-64-1-1/4	Cover Plate 1-1/4 in. N.P.S. Plug	Brass	
P-64-1-1/4-AL		Aluminum	
P-64-2	Cover Plate 2 in. UN Plug	Brass	
P-64-2-AL		Aluminum	
P-64-1/2-2	Cover Plate 1/2 & 2 in. UN Plug	Brass	
P-64-1/2-2-AL		Aluminum	
P-64-3/4-2	Cover Plate 3/4 & 2 in. UN Plug	Brass	
P-64-3/4-2-AL		Aluminum	
P-64-2-5/8	Cover Plate 2-5/8 in. UN Plug	Brass	
P-64-2-5/8-AL		Aluminum	
P-64-DU	Cover Plate Duplex 1-7/16 in. Plugs	Brass	
P-64-DU-AL		Aluminum	
P-64-DS	Cover Plate Duplex Lift Lid	Brass	
P-64-DS-AL		Aluminum	
P-64-GFCI	Cover Plate GFCI Flip Lid	Brass	
P-64-GFCI-AL		Aluminum	



*Also includes seating plate for receptacle like others



New MopTite™ Covers exceeds UL scrub-water exclusion requirements for 514A, 514C

Engineering Data — 640 and 840 Series



Cat. No.	Dimensions (in.)				Before Pour Adj. (in.)	After Pour Adj. (in.)	Number of Gangs	Maximum Capacity KOS (cu. in.)	Standard Conduit Tapping (in.)	Maximum Conduit Tapping (in.)	
	A	B	C	D						w/Bushing	w/o Bushing
641	3-5/8	4	5-1/2	1-7/8	2-1/2	5/8	1	35	3/4	1	1-1/4
642		7					2	37 per gang			
643		10					3	37 per gang			
644	1/2	12-15/16	1-11/16	1-1/2	-	-	4	37 per gang	3/4	3/4	3/4
841-SC	2	4					1	15			
842-SC		7					2	16.5 per gang			
843-SC		10	3	16.5 per gang							

For replacement parts, please refer to pages C89 – C90
Use P64 Series covers and carpet plates. Wiring Device: Duplex, single or voice/data plates

Flush Service Floor Boxes

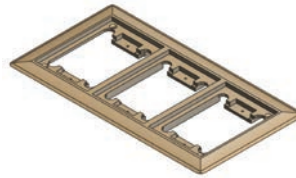
Metallic Carpet Plates for 640 and 840 Series



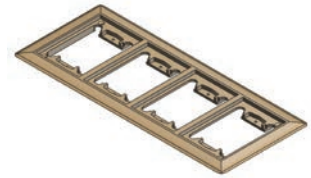
P64-CP



P64-2G-CP



P64-3G-CP



P64-4G-CP



Cat. No.	Number of Gangs	Outside Dimension (in.)	Finish	Std. Ctn.
P64-CP	1	4-5/8 x 6-1/8	Brass	4
P64-CP-AL	1		Aluminum	
P64-2G-CP	2	7-5/8 x 6-1/8	Brass	
P64-2G-CP-AL	2		Aluminum	
P64-3G-CP	3	10-5/8 x 6-1/8	Brass	
P64-3G-CP-AL	3		Aluminum	
P64-4G-CP	4	13-5/8 x 6-1/8	Brass	
P64-4G-CP-AL	4		Aluminum	

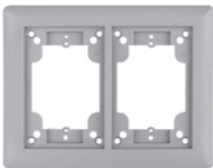
Nonmetallic Carpet Plates for 640 and 840 Series

- Translucent polycarbonate material
- Textured finish

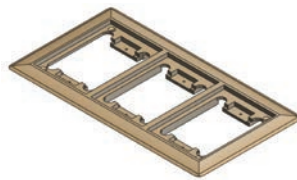
- To install LCP Series Plates, remove trim ring and place inside. Replace trim ring on box.



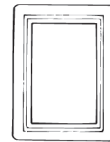
P64P-CP



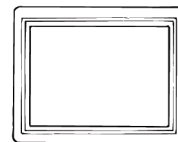
P64P-2G-CP



P64P-3G-CP



P64-LCP



P64-2LCP



P64-3LCP



Cat. No.	Number of Gangs	Description	Colour	Std. Ctn.
P64-CP-BLK*	1	Single Gang Carpet Plate	Black	4
P64-CP-GRY*			Grey	
P64-2G-BGE*			Beige	
P64P-2G-CP-BLK	2	Two Gang Carpet Plate	Black	
P64P-2G-CP-GRY			Grey	
P64P-2G-CP-BGE			Beige	
P64P-3G-CP-BLK	3	Three Gang Carpet Plate	Black	
P64P-3G-CP-GRY			Grey	
P64P-3G-CP-BGE			Beige	
P64-LCP	1	Single Gang Carpet Plate	Clear	
P64-2LCP	2	Two Gang Carpet Plate		
P64-3LCP	3	Three Gang Carpet Plate		

*Not CSA Certified
For replacement parts please refer to pages C89 – C90

Flush Service Floor Boxes

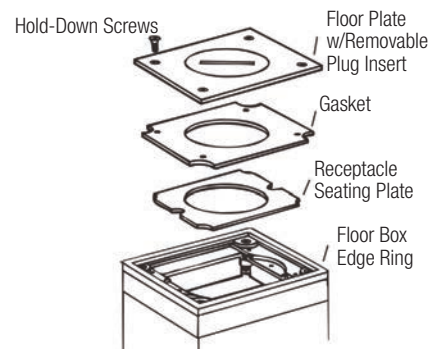
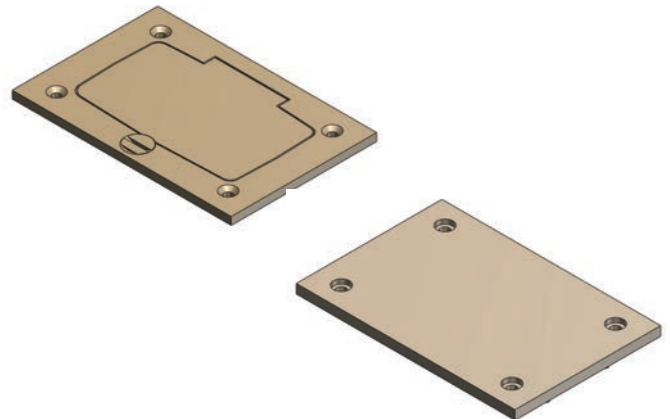
MopTite™ Cover Plates for 60W Series

- Furnished complete with sealing gasket and #8-32 x 7/16 in. brass screws
- 3 in. x 4-1/2 in. outside dimension



Cat. No.	Description	Colour	Std. Ctn.
P-64-P-URC-BLK	Universal Cover	Black	4
P-64-P-URC-GRY		Grey	
P-64-P-URC-BGE		Beige	
P-64-P-BP-BLK*	Blank Cover	Black	
P-64-P-BP-GRY*		Grey	
P-64-P-BP-BGE*		Beige	

*Not CSA Certified
New MopTite™ Covers exceed UL scrub-water exclusion requirements



Floor Plate Plug Inserts



Cat. No.	Description	Std. Ctn.
690-SC	1/2 in. – 14 N.P.S. Thread	4
691-SC	3/4 in. – 14 N.P.S. Thread	
692-SC	1 in. – 11-1/2 N.P.S. Thread	
693-SC	1-1/4 in. – 11-1/2 N.P.S. Thread	
694	2 in. – 20 UN Thread	
695	1/2 in. – 2 in.	
696-SC	3/4 in. – 2 in.	
697*	2-5/8 in. – 20 UN Thread	
698*	1-7/16 in. for Duplex Plug	

*CSA not applicable. Catalogue numbers are for brass.
For aluminum, add AL after catalogue number



692-SC



695

Gaskets for Floor Plate Assemblies



Cat. No.	Description	Std. Ctn.
SP650*	P-64 Series Floor Plate Assemblies	4
SP651*	P-64 DU Floor Plate Assemblies	10
SP-P64-DS-P2	P-64 DS Floor Plate Assemblies	4

*CSA not applicable



Flush Service Floor Boxes

740 Series – Multiple-Gang Floor Boxes for Power and Communications



Features

- Available in shallow (2-5/8 in. and deep 3-5/8 in.) versions
- Available in one-, two- and three-gang versions
- Two- and three-gang boxes are supplied with customer-installed dividers
- 16 ga. pre-galvanized steel construction
- Adjustable with four exterior leveling legs capable of 2 in. pre-pour adjustment and an interior leveling ring capable of 1-1/4 in. after pour adjustment
- Made with a variety of KOs ranging from 1/2 in. to 1-1/4 in.
- Boxes utilize the 640P Series metallic and nonmetallic floor box accessories with the unique one-step installation method
- Shipped with expendable steel cap to prevent ingress of concrete at installation

The new 740 Series line of stamped-steel floor boxes are an extension of T&B's industry-leading 640 and 840 Series cast-iron floor boxes. The new boxes provide flush service for power, communications and data. Multiple-gang boxes allow the user to place high- and low-voltage in a single floor box. The 740 Series can be used for **carpet or tile applications**.



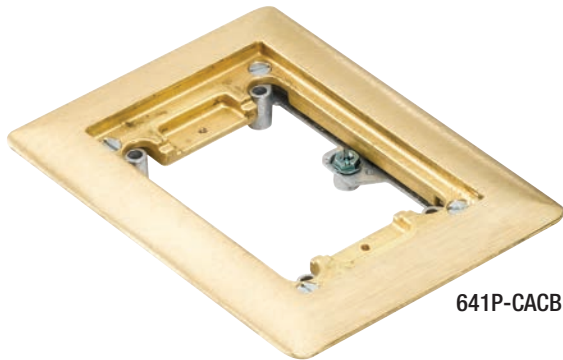
Cat. No.	Description	Std. Ctn.
741-S	Shallow One-Gang	4
742-S	Shallow Two-Gang	1
743-S	Shallow Three-Gang	1
741-D	Deep One-gang	4
742-D	Deep Two-gang	1
743-D	Deep Three-gang	1

Engineering Data — 740 Series

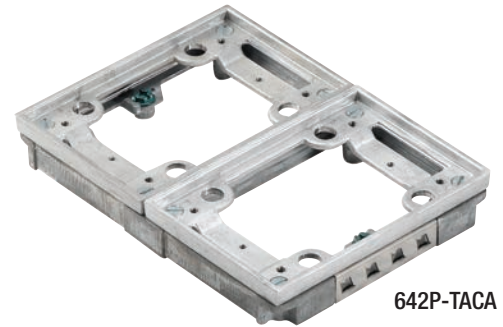
Cat. No.	Dimensions (in.)			Before Pour Adj. (in.)	After Pour Adj. (in.)	Capacity per Gang	Maximum Conduit Tapping (in.)		
	A	B	C				Sides	Ends	Bottom
741-S	4	5-1/2	2-5/8	2	1-1/2	29 cu. in.	(2) 3/4	(2) 1/2	(1) 1/2 and (1) 3/4
742-S	7-1/4					26 cu. in.	(4) 3/4	(2) 1/2	(2) 1/2 and (2) 3/4
743-S	10-1/4					26 cu. in.	(6) 3/4	(2) 1/2	(3) 1/2 and (3) 3/4
741-D	4		3-5/8			48 cu. in.	(2) 3/4	(2) 1-1/4	(1) 3/4 and (1) 3/4
742-D	7-1/4					41 cu. in.	(4) 3/4	(2) 1-1/4	(2) 3/4 and (2) 3/4
743-D	10-1/4					41 cu. in.	(6) 3/4	(2) 1-1/4	(3) 3/4 and (3) 3/4

Flush Service Floor Boxes

Carpet and Tile Activations for 740 Series



641P-CACB



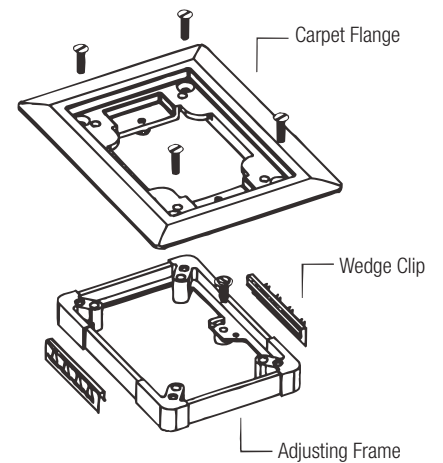
642P-TACA



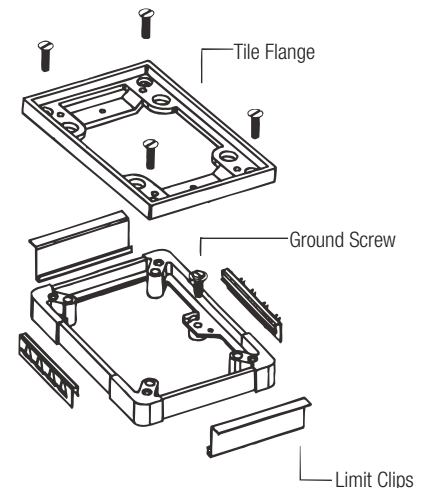
Cat. No.	Description	Finish	Std. Ctn.
Carpet Activations for 740 Series			
641P-CACA	One-Gang	Aluminum	4
641P-CACB		Brass	
641P-CAC-BGE		Beige	
641P-CAC-BLK		Black	
641P-CAC-GRY		Grey	
641P-CAC-BRN		Brown	
642P-CACA	Two-Gang	Aluminum	
642P-CACB		Brass	
642P-CAC-BGE		Beige	
642P-CAC-BLK	Two-Gang, Nonmetallic	Black	
642P-CAC-GRY		Grey	
643P-CACA	Three-Gang	Aluminum	
643P-CACB		Brass	
643P-CAC-BGE		Beige	
643P-CAC-BLK		Black	
643P-CAC-GRY		Grey	
Tile Activations for 740 Series			
641P-TACA	One-Gang	Aluminum	4
641P-TACB		Brass	
641P-TAC-BGE		Beige	
641P-TAC-BLK		Black	
641P-TAC-GRY		Grey	
642P-TACA	Two-Gang	Aluminum	
642P-TACB		Brass	
642P-TAC-BGE		Beige	
642P-TAC-BLK	Two-Gang, Nonmetallic	Black	
642P-TAC-GRY		Grey	
643P-TACA	Three-Gang	Aluminum	
643P-TACB		Brass	
643P-TAC-BGE		Beige	
643P-TAC-BLK		Black	
643P-TAC-GRY		Grey	

For replacement parts please refer to pages C89 – C90

Carpet Activation Kit



Tile Activation Kit



Flush Service Floor Boxes

MopTite™ Cover Plates for 740 Series

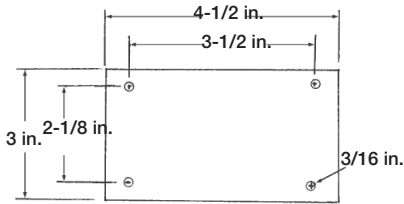


Plate Dimensions

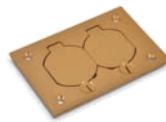
- Polished brass finish
- Furnished complete with sealing gasket and 8-32 x 7/16 in. brass screws
- 3 in. x 4-1/2 in. outside diameter



P-64-3/4-2*
3/4 in. & 2 dia. plugs



P-64-2-5/8*
2-5/8 in. dia. plug



P-64-DS*
Duplex Lift Lids



P-64-DU*
Duplex 1-7/16 in. plug



P-64-GFCI
Cover Plate GFCI
Flip Lid



P-64-1/2
1/2 in. N.P.S. plug



P-64-3/4
3/4 in. N.P.S. plug



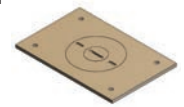
P-64-1
1 in. N.P.S. plug



P-64-1-1/4
1-1/4 in. N.P.S. plug



P-64-2*
2 in. dia. plug



P-64-1/2-2*
1/2 & 2 in. dia. plugs

*Also includes seating plate for receptacle



Cat. No.	Description	Finish	Std. Ctn.
P-64-1/2	1/2 in. N.P.S. Plug	Brass	4
P-64-1/2-AL		Aluminum	
P-64-3/4	3/4 in. N.P.S. Plug	Brass	
P-64-3/4-AL		Aluminum	
P-64-1	1 in. N.P.S. Plug	Brass	
P-64-1-AL		Aluminum	
P-64-1-1/4	1-1/4 in. N.P.S. Plug	Brass	
P-64-1-1/4-AL		Aluminum	
P-64-2	2 in. UN Plug	Brass	
P-64-2-AL		Aluminum	
P-64-1/2-2	1/2 & 2 in. UN Plug	Brass	
P-64-1/2-2-AL		Aluminum	
P-64-3/4-2	3/4 & 2 in. UN Plug	Brass	
P-64-3/4-2-AL		Aluminum	
P-64-2-5/8	2-5/8 in. Plugs	Brass	
P-64-2-5/8-AL		Aluminum	
P-64-DU	Duplex 1-7/16 in. Plugs	Brass	
P-64-DU-AL		Aluminum	
P-64-DS	Duplex Lift Lid	Brass	
P-64-DS-AL		Aluminum	
P-64-GFCI	GFCI Flip Lid	Brass	
P-64-GFCI-AL		Aluminum	

New MopTite™ Covers exceeds UL scrub-water exclusion requirements for 514A, 514C
For replacement parts, please refer to pages C89 – C90

Flush Service Floor Boxes

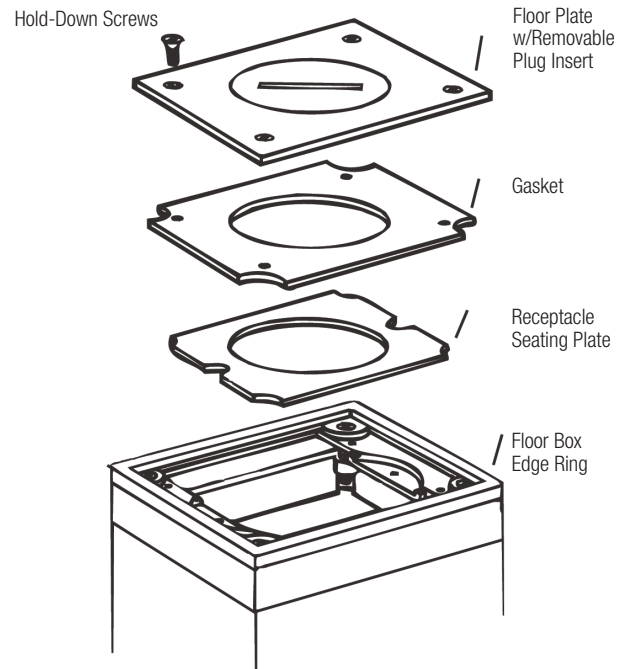
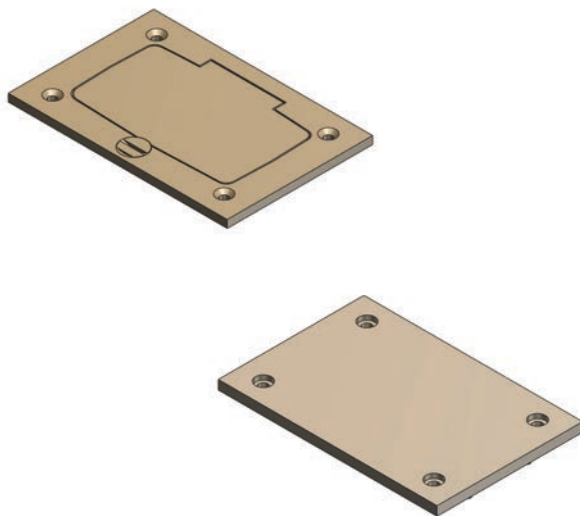
MopTite™ Nonmetallic Covers for 740 Series

- Furnished complete with sealing gasket and 8-32 x 7/16 in. brass screws
- 3 in. x 4-1/2 in. outside dimension



Cat. No.	Description	Finish	Std. Ctn.
P-64-P-URC-BLK	Universal Cover	Black	4
P-64-P-URC-GRY		Grey	
P-64-P-URC-BGE		Beige	
P-64-P-BP-BLK*	Blank Cover	Black	
P-64-P-BP-GRY*		Grey	
P-64-P-BP-BGE*		Beige	

* Not CSA Certified
 New MopTite™ Covers exceed UL scrub-water exclusion requirements



Flush Service Floor Boxes

Round Floor Boxes for Power and Communications: 68-HP Series

Innovative 3-Gang Round Floor Box for Power, Data and AV

LARGEST IN THE INDUSTRY

Unmatched flexibility to configure any combination of power and communications devices.

- Accepts standard devices from any manufacturer, including duplex, GFCI, locking, hospital grade or isolated ground receptacles
- Accommodates a wide variety of multi-media devices through the use of rectangular adapters

Combines the **Capacity** of a 3-gang box with the **Affordability** of a round nonmetallic floor box.

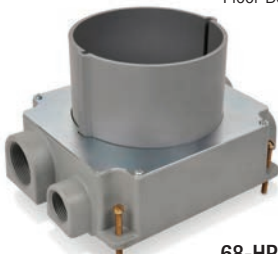
- 6 in. diameter round nonmetallic floor box — the largest in the industry
- Large inline hubs for power and data wiring: 1 in. for power, 1-1/2 in. for data



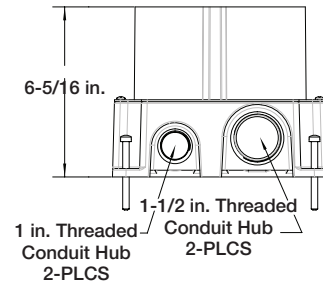
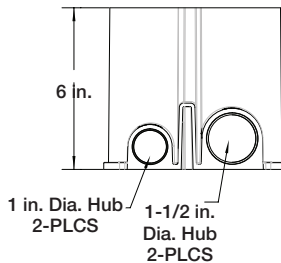
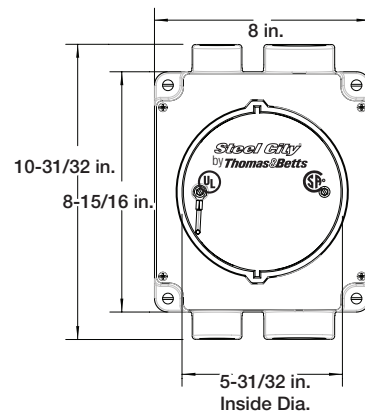
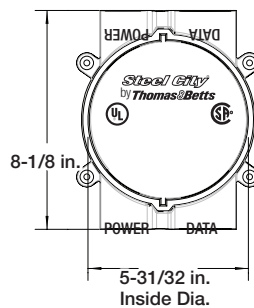
68-HP Floor Boxes



68-HP
6 in. Round Nonmetallic Floor Box



68-HP-CI
Cast Iron Floor Box with 6 in. Round Nonmetallic Collar



Cat. No.	Description	Minimum Concrete Depth		Std. Ctn.
		Flush (in.)	Furniture Feed (in.)	
68-HP	6 in. Round Nonmetallic Floor Box	4	3-1/2	4
68-HP-CI	Cast Iron Floor Box with 6 in. Round Nonmetallic Collar	4-1/2	4	1

Flush Service Floor Boxes

Flush Covers for 68-HP Series

68-HP-FC-BRS

- Slide latch for tool-less access to devices
- Lid lies flat when box is in use
- Requires Flush Mounting Kit (Cat. No. 68-HP-FMK) to mount cover

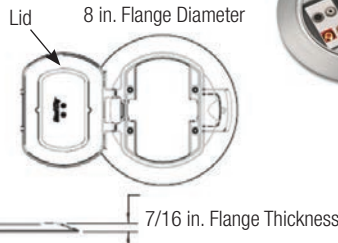


68-HP-FC-ALM

Solid aluminum cover with brushed finish

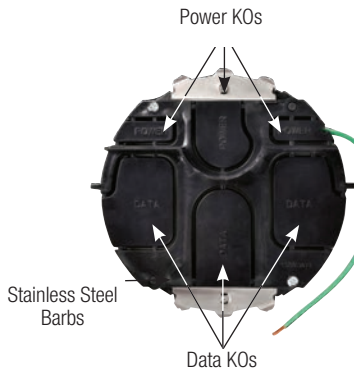


68-HP-FC-BLK



Cat. No.	Description	Std. Ctn.
68-HP-FC-ALM	Flush Cover — Solid Aluminum with Brushed Finish, 1,000 lb. Load Rating	4
68-HP-FC-BRS	Flush Cover — Solid Brass with Brushed Finish, 1,500 lb. Load Rating	
68-HP-FC-BLK	Flush Cover — Solid Aluminum with Black Powder-Coated Finish, 1,000 lb. Load Rating	

Flush Mounting Kit for 68-HP Series and Accessories



Kit includes:

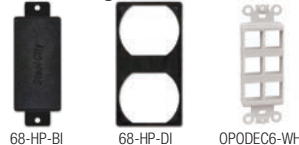
- Mounting Frame
- Voltage Divider
- (3) Device Plates
 - (1) Center Plate: GFCI/Rectangular
 - (2) Side Plates: Rectangular
- (3) Duplex Inserts

Optional Accessories

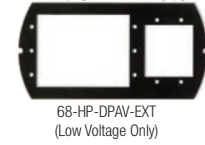
Device Plates



Regular Inserts



Extron® AV Plate



Cat. No.	Description	Std. Ctn.
68-HP-FMK	Mounting Kit for Flush Covers	4
68-HP-DPC-GFCI	Center Device Plate – GFCI/Rectangular Receptacle	10
68-HP-DPS-DEC	Side Device Plate – Rectangular Receptacle	
68-HP-DPC-R	Center Device Plate – Single Round Receptacle, 1-5/8 in. Opening	
68-HP-DPC-2MAAP	Center Device Plate – 2 Extron® MAAP Plates*	
68-HP-DPS-2MAAP	Side Device Plate – 2 Extron® MAAP Plates*	
68-HP-BI	Rectangular Insert – Blank (for unused compartments)	5
68-HP-DI	Rectangular Insert – Duplex Receptacle	
OPODEC6-WH	Rectangular Adapter for GFCI/Rectangular Device Plate – 6 Port Data, Keystone, White**	5
68-HP-DPAV-EXT	Extron® AV Plate – 3 AAP Plates, 2 MAAP Plates*	1

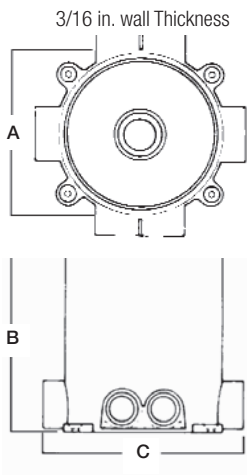
*Extron® MAAP Plates purchased from an authorized Extron® distributor. Extron® is a registered trademark of RGB Systems, Incorporated
 ** Additional rectangular adapters available for low voltage applications

Flush Service Floor Boxes

68-P – Round Nonmetallic Floor Box

The 68-P floor box provides flush service for power, communications and data. The nonmetallic floor box is used in concrete floors and is suitable for **carpet, tile or wood applications**.

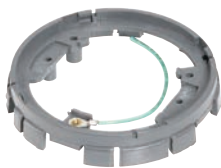
- High-strength rigid PVC construction, non-corrosive
- Easy installation with no leveling required – just cut the box level with the concrete after the pour
- Compatible with standard-schedule PVC conduit (1 in., 3/4 in. and 1/2 in. reducers included)
- Pre-packaged with concrete cap and six hub plugs



Cat. No.	Dimensions (in.)			After Pour Adj. (in.)	Maximum Capacity (cu. in.)	Standard Conduit Tapping (in.)	Covers and Carpet Plates	Wiring Device	Std. Ctn.
	A	B	C						
68-P	5-5/32	6	6-3/8	None	100	(4) 3/4 (2) 1	P60 P68 Series	Single Duplex or data/voice	8

Minimum pour 3 inches
Cubic in. capacity is 17 cubic inches per inch of box height
Note: must use 68-PAR to attach cover plates to 68-P floor box

Adjusting Ring for 68-P Floor Box



Cat. No.	Description	Std. Ctn.
68-PAR	Nonmetallic Adjusting Ring	8

Nonmetallic adjusting ring includes pigtail and clips
Required to mount P60 and P68 Series covers to 68P floor box (not needed for dual-voltage kits)

Metallic Tile Trims for 68-P Floor Box

- Tile trim rings are available in brass or aluminum for flush installation of metallic plates in linoleum, wood or carpeted floors. Must be used to mount P60 Series plates (Not required for P68 covers, P60-CACP, P60-CACP-AL or P60-3/4-2-CACP)



Cat. No.	Description	Std. Ctn.
68P-FL	Metallic Tile Trims	8

Required to attach P60 cover plates to 68-P floor box

Flush Service Floor Boxes

MopTite™ Metallic Carpet Plates for 68-P Series

- Polished brass finish
- Furnished complete with 8-32 x 1 in. brass screws
- For brushed aluminum, add AL after catalogue number



P-60-CACP



P-60-3/4-2-CACP

One-piece solid-brass communications carpet plate. 4-3/4 in. O.D. Mounting holes 3-3/8 in. dia.



P-60-CACP-GFCI



P-60-CP



Cat. No.	Description	Finish	Std. Ctn.
P-60-CP•	Carpet Plate, 5-11/16 in. diameter	Brass	4
P-60-CP-AL•	Carpet Plate	Aluminum	
P-60-CACP	One-Piece Carpet Plate	Brass	
P-60-CACP-AL		Aluminum	
P-60-3/4-2-CACP	One-Piece Carpet Plate with 3/4 in. - 2 in. Plugs	Brass	
P-60-3/4-2-CACP-AL		Aluminum	
P-60-CACP-GFCI•	One-Piece Carpet Plate for GFCI Devices	Brass	
P60-CACP-GFI-AL•		Aluminum	

• Requires 68P-FL or 68P-FL-AL to attach covers to 68-P Floor Box
New MopTite™ Covers exceed UL watertight requirements for 514A, 514C

MopTite™ Nonmetallic Carpet Plates for 68-P Series

Nonmetallic, single receptacle plate (SRC) with matching carpet plate and cover. 6 in. O.D.



1-13/32 in. Dia. Opening

Nonmetallic floor service cover (FSC) with 1 in. screw plug accommodates most above-floor service fittings with matching carpet plate. 6 in. O.D.



Nonmetallic, duplex/voice data receptacle plates (DRC) with matching carpet plate and cover. 6 in. O.D.



Cat. No.	Description	Colour	Std. Ctn.
P-68-SRC-GRY	For Single Receptacle	Grey	4
P-68-SRC-BRN		Brown	
P-68-SRC-BGE		Beige	
P-68-SRC-BLK		Black	
P-68-FSC-GRY	With 1 in. N.P.S. Screw Plug	Grey	
P-68-FSC-BRN		Brown	

Cat. No.	Description	Colour	Std. Ctn.
P-68-FSC-BGE	With 1 in. N.P.S. Screw Plug	Beige	4
P-68-FSC-BLK		Black	
P-68-DRC-GRY	For Duplex Receptacle	Grey	
P-68-DRC-BRN		Brown	
P-68-DRC-BGE		Beige	
P-68-DRC-BLK		Black	

New MopTite™ Covers exceed UL watertight requirements for 514A, 514C

Flush Service Floor Boxes

MopTite™ Cover Plates for 68 and 600 Series

- Polished brass finish
- Furnished complete with sealing gasket and 8-32 x 7/16 in. brass screws
- 4 in. outside diameter



P-60-1/2
1/2 in. N.P.S. plug



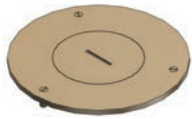
P-60-3/4
3/4 in. N.P.S. plug



P-60-1
1 in. N.P.S. plug



P-60-1-1/4
1-1/4 in. N.P.S. plug



P-60-2*
2 in. dia. plug



P-60-2-5/8*
2-5/8 in. dia. plug



P-60-1/2-2*
1/2 in. & 2 in. dia. plugs



P-60-3/4-2*
3/4 in. & 2 in. dia. plugs



P-60-DR*
Duplex lift lid



P-60-GFCI*
For GFCI Devices



P-60-DS*
Hinged lift lids

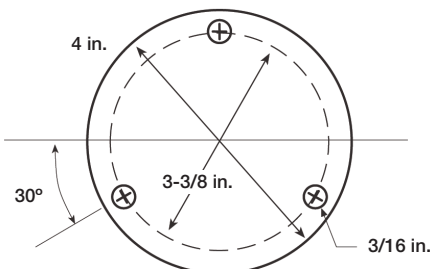


P-60-DU*
Duplex 1-7/16 in. lid



Cat. No.	Description	Finish	Std. Ctn.
P-60-1/2	1/2 in. N.P.S. Plug Size	Brass	4
P-60-1/2-AL		Aluminum	
P-60-3/4	3/4 in. N.P.S. Plug Size	Brass	
P-60-3/4-AL		Aluminum	
P-60-1	1 in. N.P.S. Plug Size	Brass	
P-60-1-AL		Aluminum	
P-60-1-1/4	1-1/4 in. N.P.S. Plug Size	Brass	
P-60-1-1/4-AL		Aluminum	
P-60-2	2 in. Diameter Plug Size	Brass	
P-60-2-AL		Aluminum	
P-60-2-5/8	2-5/8 in. Diameter Plug Size	Brass	
P-60-2-5/8-AL		Aluminum	
P-60-1/2-2	1/2 – 2 in. Diameter Plug Size	Brass	
P-60-1/2-2-AL		Aluminum	
P-60-3/4-2	3/4 – 2 in. Diameter Plug Size	Brass	
P-60-3/4-2-AL		Aluminum	
P-60-DR	With Duplex Lift Lid	Brass	
P-60-DS	For Duplex with Individual Lift Lids	Brass	
P-60-DS-AL		Aluminum	
P-60-DU	With Two 1-7/16 in. Plugs for Duplex	Brass	
P-60-DU-AL		Aluminum	
P-60-GFCI	For GFCI Devices	Brass	
P-60-GFCI-AL		Aluminum	

68P-FL or 68P-FL-AL required to attach cover plates to 68-P floor box
 New MopTite™ Covers exceed UL watertight requirements for 514A, 514C
 For replacement parts, please refer to pages C89 – C90



*Also includes steel seating plate for receptacles

Flush Service Floor Boxes

Dual-Voltage Kits for 68-P Nonmetallic Series



- Voltage divider has easy-cut score lines to accommodate concrete depths of 3 to 6 inches
- Faceplate has removable data plates and can accommodate GFCI or standard duplex receptacles
- Kit comes equipped with 4 standard keystone-size openings in the data plates. Other styles available include openings sized for Ortronics, Avaya, Panduit and Hubbell®
- MopTite™ cover uses a “Snap-Lock” to close the lid. No screws to turn... just push down the lid and it snaps in place. The cover uses a factory-installed gasket and exceeds all UL scrub-water exclusion requirements for carpet, wood and tile floors
- MopTite™ cover available in solid brass or aluminum
- Includes everything required for a standard installation (68P floor box, data jacks and receptacles not included)



Cat. No.	Description	Std. Ctn.
68P-DV-KIT-BRS	With Brass Cover	1
68P-DV-KIT-AL	With Aluminum Cover	
68P-DV-DP-ORT*	Ortronics Data Plate to Accommodate 2 Jacks	10
68P-DV-DP-PAN*	PANDUIT Data Plate to Accommodate 2 Jacks	
68P-DV-DP	Standard Data Plate to Accommodate 4 Keystone Jacks	

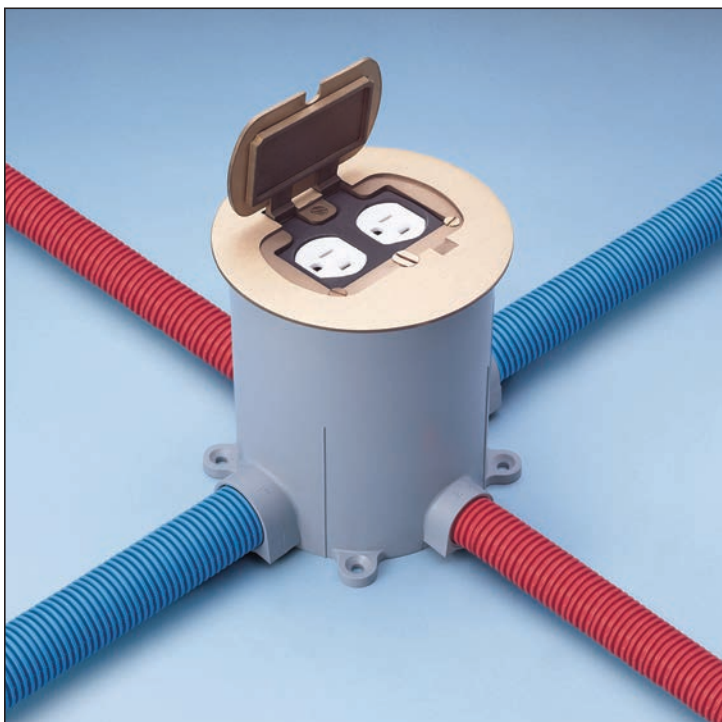
*CSA not Certified. Keystone data plates come standard with the kit. Other style data plates are available from T&B and can be ordered separately

Round Floor Boxes

Round Floor Box System

Features

- Nonmetallic PVC construction, watertight gasket and corrosion-resistant hardware assure long life and reliable performance even in harsh and/or corrosive environments
- Covers are available for a variety of applications
- The same box depth simplifies ordering and reduces inventory
- For carpet and tile applications
- Cover options include: Brass, Stainless Steel and Nonmetallic (Ivory, Caramel, Taupe, Slate and Brown)
- Concrete tight and suitable for any on-grade/below grade application; concrete or wood floor construction approved
- Y-connector (E972Y) allows you to feed parallel runs of 3/4 in. conduit or to feed in/out from the same side for increased wiring and faster installation
- PVC molded hubs and reducer plugs included
- Accepts 1/2 in., 3/4 in. and 1 in. conduit, tubing or raceway
- UL scrub-water tested, approved for all types of finished flooring



Three-way versatility for power, data and communications

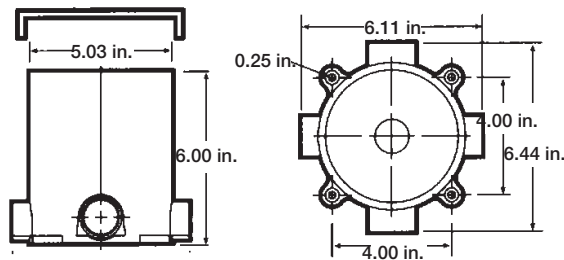
Carlton® Round Floor Boxes give you the same cost-saving advantages over metal boxes as our rectangular boxes. By letting you combine power, data and communications in the same box, you can dramatically reduce your installation time and cost compared to other nonmetallic boxes.

In addition, multi-use covers mean fewer SKUs to deal with and greater jobsite flexibility to increase your savings further. Take a closer look at all the advantages for yourself.

Flush Service Floor Boxes

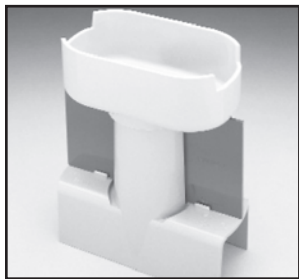
Features


- Carlton® round Floor Boxes allow for various thickness of concrete pours. Trim out is easy – just use a handsaw to cut off box at desired height to accommodate carpet, tile or other flooring
- Carlton leveling ring guarantees a level top every time, even if the box is tipped slightly during the pouring process



Accessories


Multi-Service Divider Kit





Cat. No.	Internal Volume (cu. in.)	Min. Concrete Depth (in.)	Hubs	Reducer Plugs	Std. Ctn. Qty.	Std. Ctn. Wt. (lb.)
E971FB	90.0 (15.5 per inch of depth)	3-1/2	(2) 1 in. and (2) 3/4 in.	(2) 1 in. x 3/4 in. and (2) 3/4 x 1/2 in.	10	15.6

Multi-Service divider kit for separate power, data and communications compartments provides unbeatable flexibility and money-saving installation speed. For use with nonmetallic boxes only.




Cat. No.	Std. Ctn. Qty.	Std. Ctn. Wt. (lb.)
E973K	10	3

3/4 in. Y Fitting

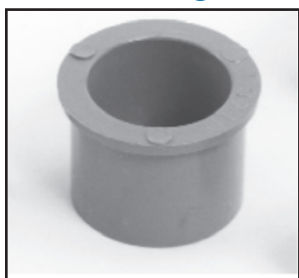



The 3/4 in. Y Fitting provides for in and out service from a single 1 in. port and allows for two 3/4 in. parallel conduit runs to adapt into a single conduit body port.



Cat. No.	Std. Ctn. Qty.	Std. Ctn. Wt. (lb.)
E972Y	10	2.1

Reducer Plugs

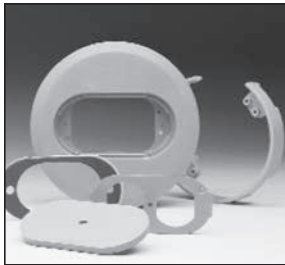




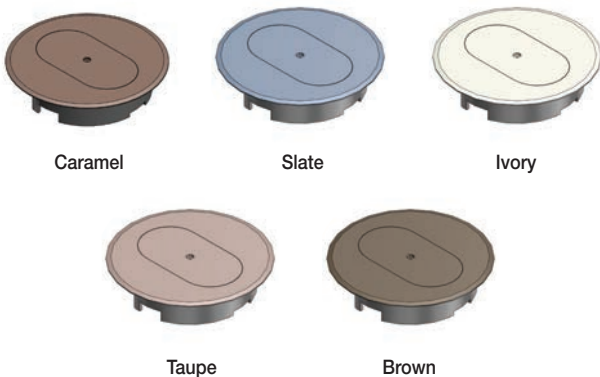
Cat. No.	Size (in.)	Std. Ctn. Qty.	Std. Ctn. Wt. (lb.)
E971C	3/4 x 1/2	100	2.1
E971D	1 x 3/4	100	3.2

Round Floor Boxes

Nonmetallic Covers



- High impact-resistant thermoplastic
- Compatible with standard NEMA Duplex and 1-1/4 in. N.P.S. receptacles
- Drill points (3/8 in.) provided for low-voltage cable pass throughs
- 1-1/4 in. N.P.S. plugs may be modified to accept smaller fittings (3/8 in., 1/2 in. and 3/4 in.)
- **For carpet and tile applications**
- Scrub-water tested
- Approved for all types of finished flooring



Duplex Covers



Cat. No.	Colour	Std. Ctn. Qty.	Std. Ctn. Wt. (lb.)
E97DSI	Ivory	10	5.2
E97DSC	Caramel		5.7
E97DST	Taupe		5.7
E97DSS	Slate		5.6
E97DSB	Brown		5.8

1-1/4 in. N.P.S. Covers



Cat. No.	Colour	Std. Ctn. Qty.	Std. Ctn. Wt. (lb.)
E97SSRB	Brown	10	3.8
E97SSRC	Caramel		
E97SSRS	Slate		

Clear Cover Carpet Ring



Cat. No.	Colour	Std. Ctn. Qty.	Std. Ctn. Wt. (lb.)
E97CCR*	Clear	10	1.2

*Not CSA applicable

Round Floor Boxes

Features

- Screws concealed under doors
- Rugged construction
- Coated with a light lacquer finish for extra protection
- Resistance to wear – suited for high traffic areas
- Gasketed for watertight applications
- Available in four styles – Single Door, Two Door, N.P.S. opening and Two Door Dual Service
- **For carpet and tile applications**
- Scrub-water tested

NOTE: Carlton® metal cover adapter ring (E97ABR2) is required with these covers (sold separately)



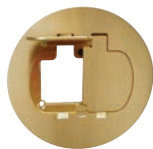
Two Door Dual Service

(Divider Kit included)



Cat. No.	Material	Devices	Std. Ctn. Qty.	Std. Ctn. Wt. (lb.)
E97BR2D	Brass	Duplex and two Data Ports	5	9.2
E97SS2D	Stainless Steel			

Two Door



Cat. No.	Material	Devices	Std. Ctn. Qty.	Std. Ctn. Wt. (lb.)
E97BR2	Brass	Duplex	5	7
E97SS2	Stainless Steel			7.7

Single Door



Cat. No.	Material	Devices	Std. Ctn. Qty.	Std. Ctn. Wt. (lb.)
E97BR	Brass	GFCI and Duplex	5	7
E97SS	Stainless Steel			7.9

N.P.S. Opening



Cat. No.	Material	Devices	Std. Ctn. Qty.	Std. Ctn. Wt. (lb.)
E97BRG	Brass	1-1/4 in. Outlet and Single Receptacle	5	7.5
E97SSG	Stainless Steel			8.1

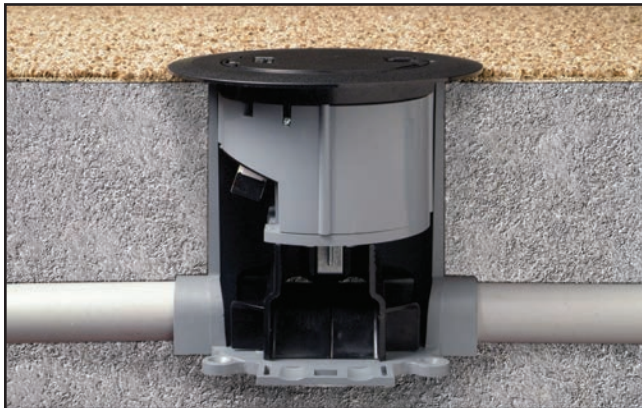
Metal Cover Adapter Ring



Cat. No.	Description	Std. Ctn. Qty.	Std. Ctn. Wt. (lb.)
E97ABR2	One-Piece Metal Cover Adapter	10	3.3

Recessed Service Floor Boxes

68R Recessed Covers



Concrete applications



Wood sub-floor/raised floor applications

Use an appropriate Iberville®
3 in. x 2 in. Metal Switch Box with mounting ears



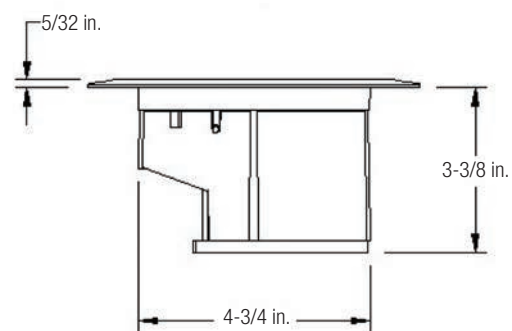
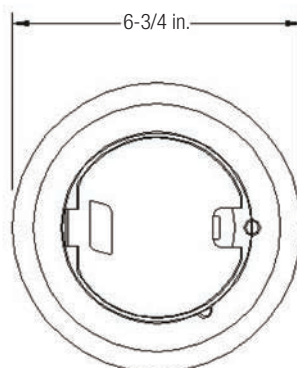
Lid closes flush with the floor, even with cords plugged in

Plug in power and communication cords and then close the lid to hide unsightly plugs and receptacles below the floor!

- Unique cover provides aesthetic recessed service with cost-effective box options for **concrete, wood sub-floor and raised-floor applications**
- Lid can be rotated to expose a small opening for cords, enabling the lid to close flush with the floor while in use
- Cover accepts one duplex or GFCI receptacle – no special device plates required (receptacle purchased separately)
- Cover accepts up to two communications jacks – includes one 2-port keystone data plate and one blank data plate for custom cut-outs or power-only applications (communications jacks purchased separately)
- Nonmetallic covers are available in black, grey, beige and brown
Black covers are available with an optional brass or aluminum flange
- Two set screws lock the cover in place – no gluing required

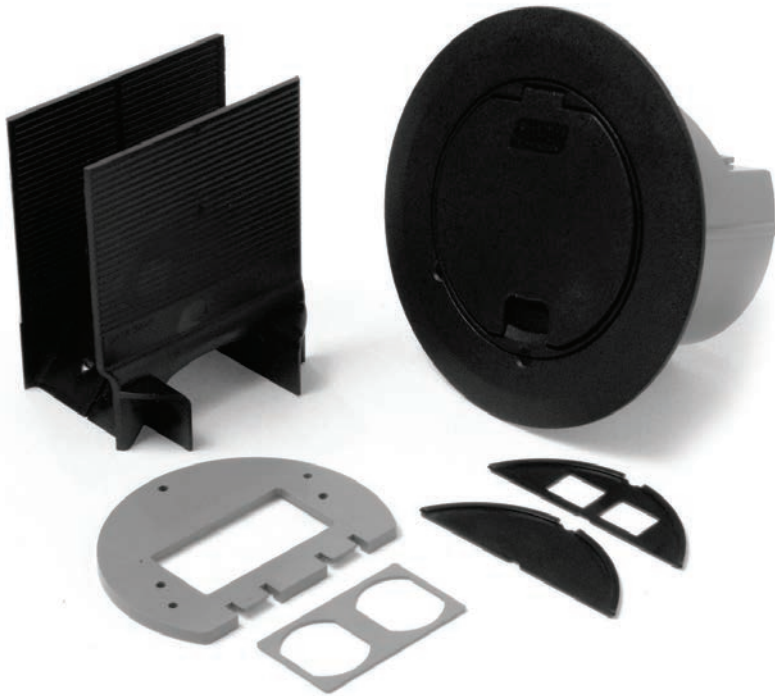


Use a Steel City®
Round PVC Floor Box,
catalogue number 68-P
(purchased separately)



Recessed Service Floor Boxes

68R Recessed Covers (cont'd)



Cover kit includes:

- Cover assembly
- Receptacle mounting plate
- Duplex receptacle insert
- 2-port keystone data plate
- Blank data plate
- Voltage divider

Technical Specifications



Important Application Note:

When using the 68R Recessed Cover with the 68-P floor box for concrete applications, the entire box depth (6 in.) is required. Prior to concrete pour, level the top of the box with the screed line of the concrete.



Cat. No.	Finish	Std. Ctn.
68R-CST-BLK	Black	4
68R-CST-GRY	Grey	
68R-CST-BGE	Beige	
68R-CST-BRN	Brown	
68R-CST-BRS	Black with Brass Flange	
68R-CST-ALM	Black with Aluminum Flange	



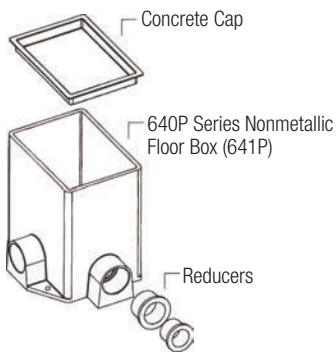
Power and Communications

Flush Service Floor Boxes

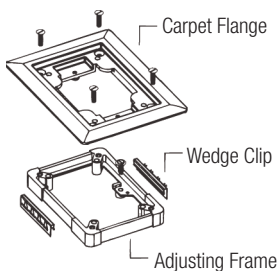
Multi-Gang Floor Boxes for Power and Communications

Features – 640P Series Nonmetallic Floor Boxes

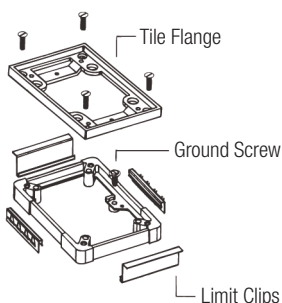
- Significant savings over metal boxes
- Die-cast adjusting frame with unique “Snap-On” feature which eliminates gluing
- Reduced installation time; no leveling required
- Compatibility with standard-schedule PVC conduit : 1 in., 3/4 in. and 1/2 in.
- Removable adjusting frame accepts wide variety of service accessories
- One-piece housing unit with premolded conduit holes
- Molded from a high-grade polymer material which is fully compatible with standard-schedule PVC conduit
- 640P Series Floor Boxes utilize both plastic and brass covers (P64 Series)
- Available in one-, two- and three-gang versions. Two- and three-gang boxes provided with partitions in corresponding activation kits.
- Min. concrete pour 2-1/2 in.



Carpet Activation Kit for 640P Series



Tile Activation Kit for 640P Series



Cat. No.	Description	Dimensions (in.)			Max. Volume	Std. Ctn.
		A	B	C		
641P	One-gang Box	4	5-3/8	6	85.0 cu. in.	1
642P	Two-gang Box	7				
643P	Three-gang Box	10-3/8	85.5 cu. in.*			

*Per gang



Carpet Activations Cat. No.	Tile Activations Cat. No.	Description	Finish	Std. Ctn.
641P-CACA	641P-TACA	One-Gang	Aluminum	4
641P-CACB	641P-TACB		Brass	
641-CAC-BGE*	641-TAC-BGE	One-Gang, Nonmetallic	Beige	
641-CAC-BLK	641-TAC-BLK		Black	
641P-CAC-GRY	641P-TAC-GRY		Grey	
642P-CACA	642P-TACA	Two-Gang	Aluminum	
642P-CACB	642P-TACB		Brass	
642-CAC-BGE*	642-TAC-BGE	Two-Gang, Nonmetallic	Beige	
642-CAC-BLK	642-TAC-BLK		Black	
642P-CAC-GRY	642P-TAC-GRY		Grey	
643P-CACA	643P-TACA	Three-Gang	Aluminum	
643P-CACB	643P-TACB		Brass	
643-CAC-BGE*	643-TAC-BGE	Three-Gang, Nonmetallic	Beige	
643-CAC-BLK	643-TAC-BLK		Black	
643P-CAC-GRY	643P-TAC-GRY	Three-Gang, Nonmetallic	Grey	

* Not CSA Certified

Flush Service Floor Boxes

MopTite™ Cover Plates for 640 Series

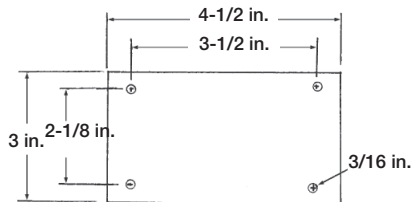


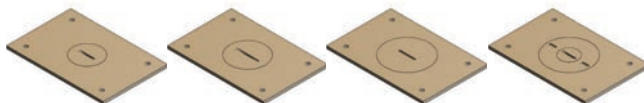
Plate Dimensions



P-64-3/4-AL 3/4 in. & 2 in. dia. plugs
P-64-2-5/8 2-5/8 in. dia. plug
P-64-2-5/8-AL 2-5/8 in. dia. plug



P-64-DU Duplex 1-7/16 in. plug
P-64-GFCI Cover Plate GFCI Flip Lid
P-64-1/2 1/2 in. N.P.S. plug
P-64-3/4 3/4 in. N.P.S. plug

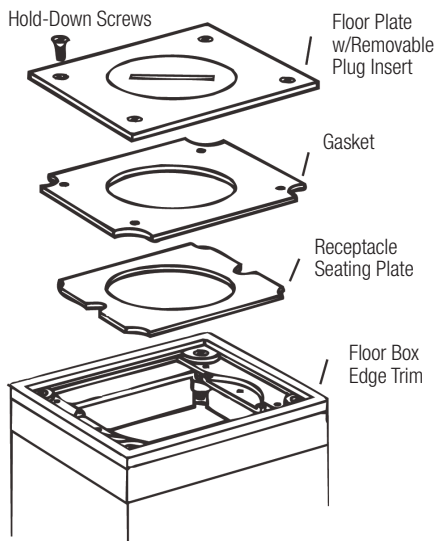


P-64-1 1 in. N.P.S. plug
P-64-1-1/4 1-1/4 in. N.P.S. plug
P-64-2 2 in. dia. plug
P-64-1/2-2 1/2 in. & 2 in. dia. plugs

Cat. No.	Description	Finish	Std. Ctn.
P-64-1/2	1/2 in. N.P.S. Plug	Brass	4
P-64-1/2-AL		Aluminum	
P-64-3/4	3/4 in. N.P.S. Plug	Brass	
P-64-3/4-AL		Aluminum	
P-64-1	1 in. N.P.S. Plug	Brass	
P-64-1-AL		Aluminum	
P-64-1-1/4	1-1/4 in. N.P.S. Plug	Brass	
P-64-1-1/4-AL		Aluminum	
P-64-2	2 in. UN Plug	Brass	
P-64-2-AL		Aluminum	
P-64-1/2-2	1/2 & 2 in. UN Plug	Brass	
P-64-1/2-2-AL		Aluminum	
P-64-3/4-2	3/4 & 2 in. UN Plug	Brass	
P-64-3/4-2-AL		Aluminum	
P-64-2-5/8	2-5/8 in. UN Plug	Brass	
P-64-2-5/8-AL		Aluminum	
P-64-DU	Duplex 1-7/16 in. Plugs	Brass	
P-64-DU-AL		Aluminum	
P-64-DS	Duplex Lift Lid	Brass	
P-64-DS-AL		Aluminum	
P-64-GFCI	GFCI Flip Lid	Brass	
P-64-GFCI-AL		Aluminum	

New MopTite™ Covers exceeds UL Scrub-water exclusion requirements

MopTite™ Nonmetallic Covers for 640 Series



- Polished brass finish
- Furnished complete with sealing gasket and # 8-32 x 7/16 in. screws
- 3 in. x 4-1/2 in. outside dimension

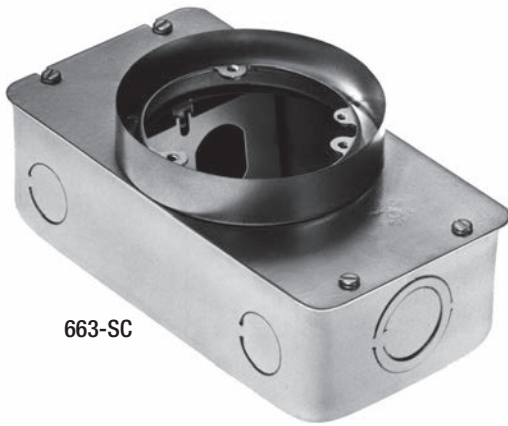


Cat. No.	Description	Colour	Std. Ctn.	
P-64-P-URC-BLK	Universal	Black	4	
P-64-P-URC-GRY		Grey		
P-64-P-URC-BGE		Beige		
P-64-P-BP-BLK*	Blank	Black		4
P-64-P-BP-GRY*	Blank	Grey		
P-64-P-BP-BGE*	Blank	Beige		

*Not CSA Certified
 New MopTite™ Covers exceeds UL scrub-water exclusion requirements

Concealed Service Floor Boxes

663 Series Floor Box



663-SC

- Multiple service floor box that delivers power, communications and data from standard conduit with no exposed service fitting
- Result: Open office planning flexibility
- Ideal for workstations that require power, communications and data service
- Stamped steel, concrete-tight, semi-adjustable
- Electro-galvanized body and hardware
- Shipped complete with expendable cap to prevent ingress of concrete
- Blank- and duplex-face plates can be mounted at either end of the box
- Does not include duplex faceplate; faceplate is included with P-62-CP and P-60-3B cover plates
- Use P-62 and P-60 Series covers*

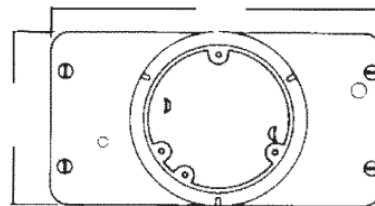
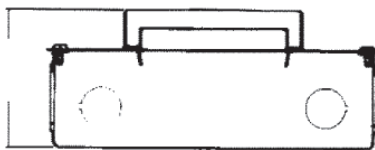
Engineering Data — 663 Series



Cat. No.	Dimensions (in.)			Before Pour Adj. (in.)	After Pour Adj. (in.)	Maximum Capacity (cu. in.)	Covers and carpet Plates	Maximum Conduit KO's (in.)		Wiring Device	Std. Ctn.
	A	B	C					Sides	Bottom		
663-SC	3-5/8	4-11/16	8-13/16	None	3/4	25 per Gang 90 Total	P-62 Series P-60 Series	(2) 1-1/4 (3) 3/4	None	Duplex and/or Data/Voice	4

*P-62-TAR is required when using P-60 Series covers

Caution: to abandon 663 you must use a P-60 Series brass cover plate



Faces Plates for 663 Floor Box



Cat. No.	Description	Std. Ctn.
P-60-Q	Duplex receptacle plate for 663 floor box	4
P-60-QB	Blank plate for 663 floor box	

Concealed Service Floor Boxes

Covers, Carpet Plates and Adjusting Rings for 663 Floor Box



P-60-3B

- Polished brass finish with nonmetallic bronze insert.
- Plastic insert has one 7/8 in. cut-out and two 1/2 in. cut-outs.
- Furnished complete with sealing gasket, 8-32 x 7/16 in. brass screws and one P-60-Q device plates.
- Split cover sections have access notch for screwdriver lift.



P-60-CP

- Polished brass finish
- Furnished complete with 8-32 x 1 in. brass screws
- P-62-TAR is required when used on 663 floor box
- 5-11/16 in. outside diameter



P-62-TAR

- Gives 3/4 in. adjustment when mounted on 663 floor box
- Accepts P-60-3B, P-60-CP and all P-60 Series cover plates



Cat. No.	Description	Finish	Std. Ctn.
P-60-3B ^{*1}	Cover Plate – Includes 1 - P-60-Q	Brass	4
P-60-CP		Polished Brass	
P-60-CP-AL	Carpet plate	Aluminum	
P-62-TAR	Flange and adjusting ring for 663	Polished Brass	
P-62-TAR-AL*		Aluminum	

* Not CSA Certified

• For use as cover only when box in service

¹ When not in use replace P-60-3B Cover Plate with 697 Plug

Caution: These covers are not to be used in high traffic areas



P-62-CP-BRN

- High strength polycarbonate
- Molded support ribs for extra strength
- Furnished with one 7/8 in. cut-out and two 1/2 in. cut-outs and P-60-Q device plate
- 5-5/8 in. outside diameter
- Furnished with 3-12-24 x 1 in. screws



Cat. No.	Description	Colour	Std. Ctn.
P-62-CP-AS ^{*2}	Polycarbonate cover and carpet plate – Includes 1 - P-60-Q	Charcoal	4
P-62-CP-BRN ^{*2}		Brown	
P-62-CP-G ^{*2}		Gold	

* Not CSA Certified

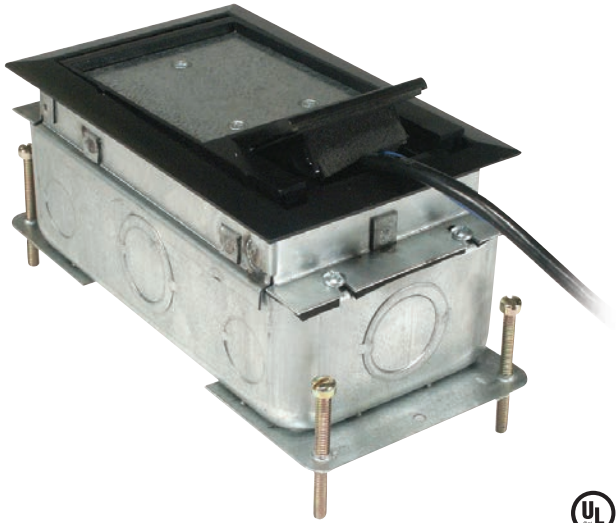
• For use as cover only when box in service

² When not in use the P62CP Series cover should be replaced by P60CP, P60 and P62 Series covers

Caution: These covers are not to be used in high traffic areas

Recessed Service Floor Boxes

664 Series Floor Box



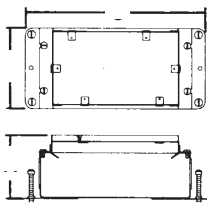
Multiple-Service Floor Boxes for Power, Communications and Data

Multiple-service floor boxes deliver power, communications and data from standard conduit with no exposed service fittings. Result: Open office planning flexibility. Ideal for the modern office with workstations that have power, communications and data equipment. Power receptacles and low-voltage connections can be enclosed underfloor in either steel or cast-iron bodies. Galvanized 14-gauge steel boxes are provided with knockouts from 3/4 in. to 1-1/4 in. Cast-iron bodies have threaded openings for 3/4 in. and 1 in. conduit.

- Two-compartment boxes are available in three types: stamped steel (664-SC), shallow (664-S) and cast iron (664-CI)
- Durable nonmetallic covers include a steel reinforcement plate for added strength
- New! Metallic covers in solid brass and aluminum provide aesthetics and durability
- Four leveling screws enable quick leveling to desired **concrete** depth
- Cover flange self-levels with the finished floor for easy installation

Cat. No.	Description	Std. Ctn.
664-SC	Stamped-Steel Box which Accepts Two Plates, One Duplex Plate Provided	4
664-CI	Cast-Iron Box which Accepts Two Plates, One Duplex Plate Provided	
664-S	Shallow Stamped-Steel Box which Accepts Two Plates, One Duplex Plate Provided	

When ordering a 664 Series box, the cover must be ordered separately, see page C50
For communications accessories, see page C85



664-CI



664-SC



664-S

Engineering Data — 664 Series

Cat. No.	Dimensions (in.)			Before Pour Adj. (in.)	After Pour Adj. (in.)	Maximum Capacity (cu. in.)	Standard Conduit Tapping	Maximum Conduit Tapping (in.)		Conduit KOS		Covers
	A	B	C					W/Bushing	W/O Bushing	Sides	Bottom	
664-SC	3-3/4	4-11/16	10-1/4	2-1/2	3/4	24 per gang 90 total	—	—	—	(4) 1in. – 1-1/4 in. (4) 3/4	None	664-CST Series
664-CI	3-3/4	5-3/32	9-15/16	2-1/2	3/4	24 per gang 90 total	(4) 3/4 in. (4) 1 in.	1	1-1/2	—	—	664-CST Series
664-S	2-7/8	4-11/18	10-1/4	1-1/2	3/4	16.5 per gang 70 total	—	—	—	(6) 3/4 in.	None	664-CST Series

Caution: When using the center side KOs, Catalogue Number 664-RP must be assembled to the box prior to installing the conduit

Recessed Service Floor Boxes

Metallic Covers for 664 Series Floor Boxes



664-CST-M-BRS
Solid Brass



664-CST-M-ALM
Solid Aluminum



664-CST-M-BLK
Solid Black



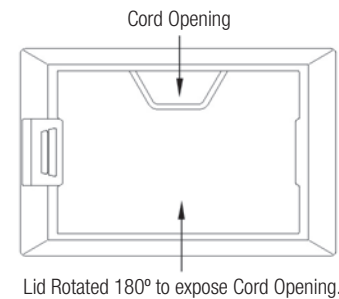
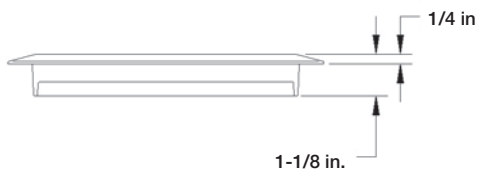
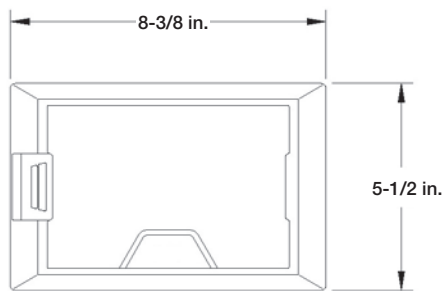
664-CI
Cast Iron for Slab or Grade Applications



664-S
For Shallow Concrete Applications



664-SC
Stamped Steel for General Purpose



MopTite™ Covers meet UL scrub-water exclusion requirements for carpet, tile and wood



Cat. No.	Finish	Load Rating (lb.)	Std. Ctn.
664-CST-M-BRS	Solid Brass	2,250	1
664-CST-M-ALM	Solid Aluminum	2,250	1
664-CST-M-BLK	Solid Black	2,250	1

Recessed Service Floor Boxes

Nonmetallic Covers for 664 Series Floor Boxes

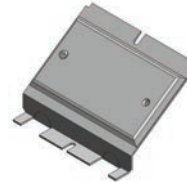
- Duplex receptacle face plate for 664 Series floor box for additional power service
- Does not include duplex



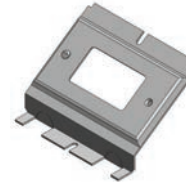
664-CST-SW-BLK



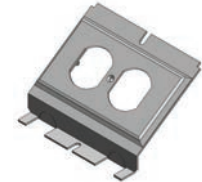
664-CST-SW-BRN



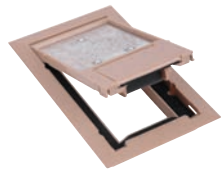
664-BP



664-GP



664-RP



664-CST-SW-BGE



664-CST-SW-GRY

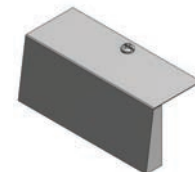
Cat. No.	Description	Std. Ctn.
664-BP	Blank Plate	4
664-GP	GFCI Receptacle Plate	
664-RP	Duplex Receptacle Plate	

Caution: When using the center side KO's, all 664 plates must be assembled to the box prior to installing the conduit

Device Plates – 664-S



664-S-RP



664-S-BP



Cat. No.	Description	Std. Ctn.
664-S-RP	Duplex Receptacle Plate	4
664-S-BP	Blank Plate	

Wire Tunnel for 664 Series

- Wire tunnel for protecting electrical connections between the two duplex receptacles when the box is used for power/power application



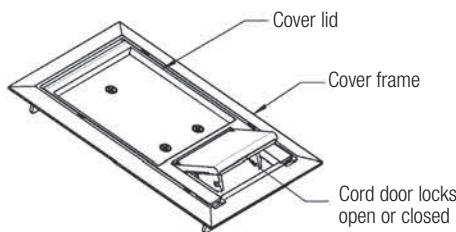
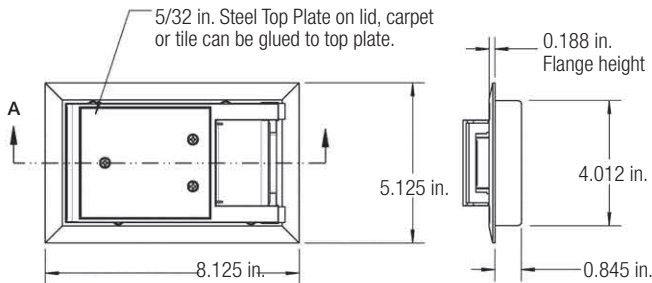
664-WT



664-S-WT



Cat. No.	For Use With	Std. Ctn.
664-WT	664 and 664-CI Floor Boxes	4
664-S-WT	664-S Floor Box	4



MopTite™ covers meet UL scrub-water exclusion requirements for carpet, tile and wood

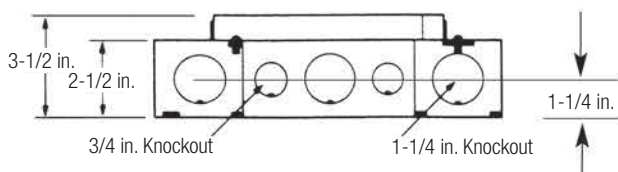
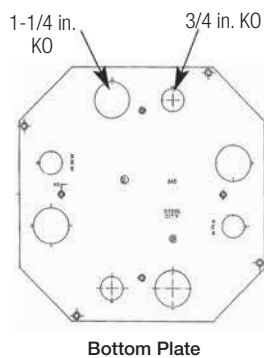
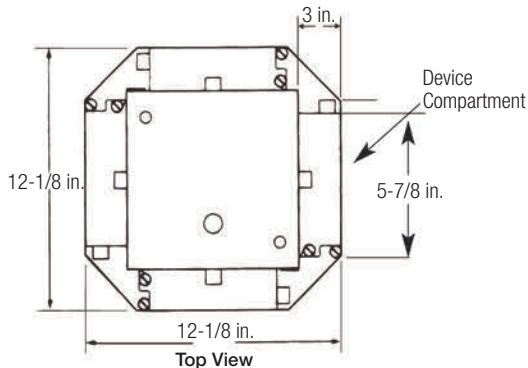
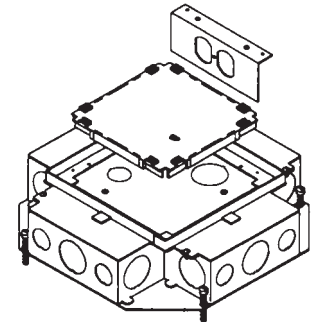
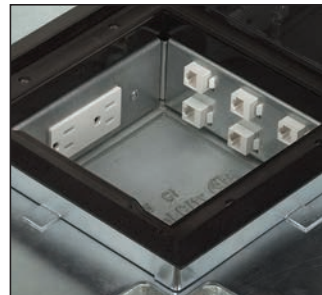


Cat. No.	Colour	Load Rating (lb.)	Std. Ctn.
664-CST-SW-GRY	Grey	1,500	1
664-CST-SW-BRN	Brown	1,500	1
664-CST-SW-BGE	Beige	1,500	1
664-CST-SW-BLK	Black	1,500	1

Material: Polycarbonate with 5/32 in. steel plate (see page C49 for metallic cover options)

Recessed Service Floor Boxes

665 Series Floor Boxes: 665SC



- **For concrete application**
- The 665 line is an extension of the industry-leading 664 Series; our concealed service line now allows the customer to install up to four device panels in one box
- Through the use of a unique nonmetallic wire tunnel, the installer can easily partition the power, voice/data requirements
- Four (4) device compartments can accommodate any combination of devices. For example: (3) duplex power devices and (1) duplex telephone device, or (2) voice and data connectors and (1) GFCI device and (1) blank, etc.
- Overall height of 3-1/2 in. allows for shallow pours when needed
- High-Strength polycarbonate cover with a 5/32 in. steel plate assures structural integrity
- Metallic Covers also available in solid brass and aluminum
- Four-side feed-through allows installer to feed through power or data/com service from any orientation
- Nonmetallic wire tunnels aesthetically clean. Full-width tunnel provides maximum feed-through capacity; nonmetallic material prevents conductor damage
- Total access area of 126 cu. in. allows for friendly installation of workstation cables
- Contains 28 knockouts (16 – 1-1/4 in. and 12 – 3/4 in. KOs) that provide increased flexibility when installed
- This CSA Listed, stamped-steel floor box can be installed with Thomas & Betts voice and data connector products
- Four 2-1/2 in. levelling screws provided with all boxes
- Device panels ordered separately



Cat. No.	Device Compartments (in.)				Device Access Area	Std. Ctn.
	Length	Width	Height	Area		
665-SC	5-3/4	2-3/4	2-1/2	40 cu. in.	126 cu. in.	1

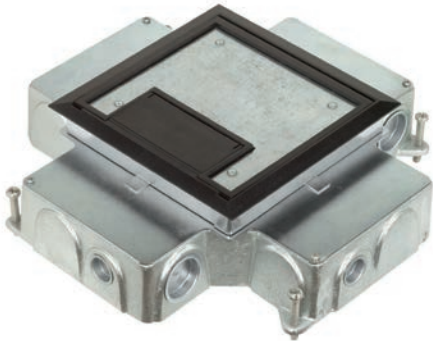
665-SC floor box does not include device plates or covers. Order separately
Material: Pre-Galvanized Steel

Recessed Service Floor Boxes

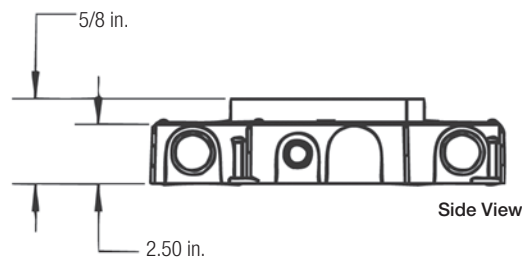
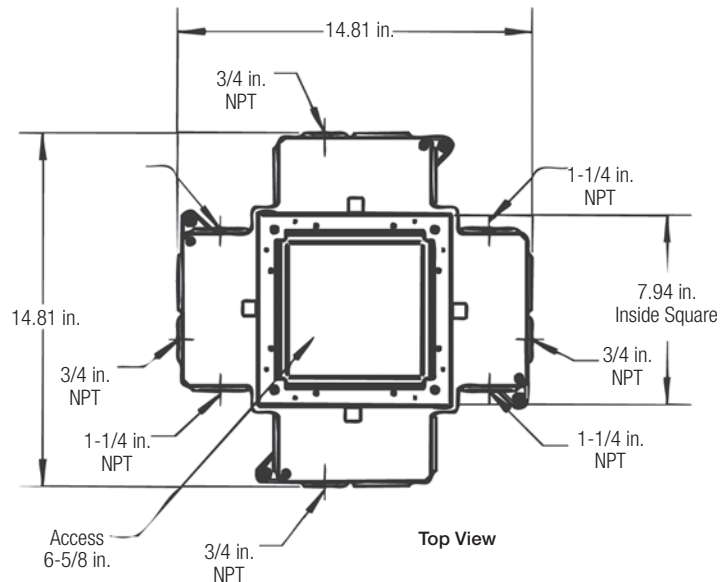
665 Series Floor Boxes: 665-CI

Cast Iron for Slab-On-Grade Applications

The new Steel City® 665 Cast Iron Floor Box provides a high-capacity power and data solution for ground-floor installations. This 4-gang recessed-service floor box is ideal for **concrete slab-on-grade applications**. Removable voltage dividers enable users to customize wiring configurations by feeding two or more adjacent compartments with a single conduit. Aesthetic covers feature a recess to accept floor covering to match the surrounding floor.



- 4-gang, recessed service for a high-capacity aesthetic floor-box solution
- Removable voltage dividers between compartments enable a single conduit to feed two or more adjacent compartments
- Heavy-duty, nonmetallic covers with steel reinforcement plates are available in a wide variety of colours to match any decor (black, grey, brown and beige)
- Metallic Covers.
- Separate cord door in the cover latches firmly in the open position to prevent damage to cables
- MopTite™ covers meet UL scrub-water exclusion requirements for carpet, tile and wood
- Largest cubic-inch capacity of any cast iron recessed 4-gang floor box
- Inline 1-1/4 in. hubs allow high-capacity straight runs for communication wiring



Specifications

- Material: Box – Cast Iron Cover – Polycarbonate with steel reinforcement plate
- Listing: CSA and UL Listed



Cat. No.	Device Compartments (in.)				Device Access Area	Std. Ctn.
	Length	Width	Height	Area		
665-CI	5-3/4	2-3/4	2-1/2	40 cu. in.	126 cu. in.	1

665-SC floor box does not include device plates or covers. Order separately

Recessed Service Floor Boxes

665 Series Floor Boxes: 665-AV2



Decora® Adapters and Keystone Inserts for GFCI Device Plates. (Not included)

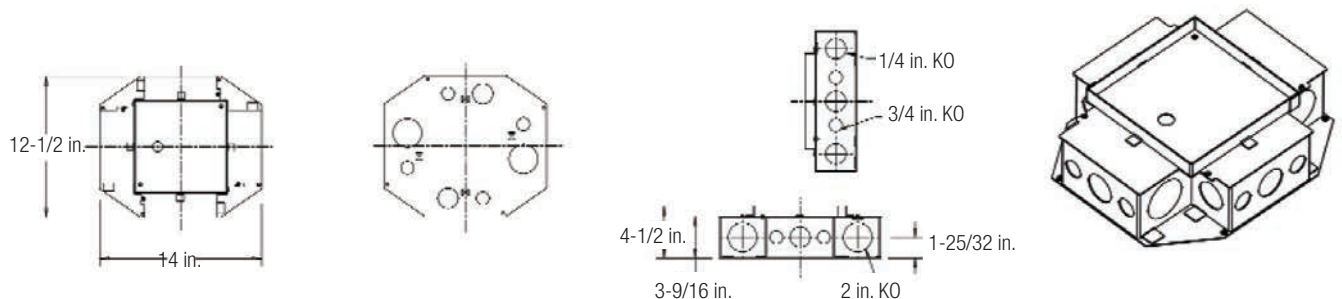
2 KOs for Audio Visual Applications

- For concrete application
- 2 KOs enable pre-terminated AV cables and connectors to be pulled directly through the conduit
- Accepts standard 665 Series covers and device plates for power, voice, data and audio visual connections
- Decora® style adapters allow voice, data and AV connectors to be mounted in a standard GFCI device plate
- Keystone style voice, data and AV connectors meet a wide range of low-voltage applications. All connectors are recessed for flush mounting in floor box applications.
- Device plates are available that accept Extron® MAAP plates to accommodate any AV requirements (Extron® MAAP plates purchased from an authorized Extron distributor)
- Metallic covers provide a durable, aesthetic installation, including industry-exclusive solid brass covers (not painted or plated, aluminum also available)



Cat. No.	Description	Std. Ctn.
665-AV2	4-Compartment Recessed Service Floor Box with 2 in. KOs for AV Applications	1

665-AV2 floor box does not include device plates or cover. Order separately. (see page C64)
 Decora® is a registered trademark of Leviton Manufacturing Co., Inc.
 Extron® is a registered trademark of RGB System, Inc.
 For communication accessories, see page C85



Engineering Data — 665-AV2

Cat. No.	Before Pour Adj. (in.)	After Pour Adj. (in.)	Compartment Size & Capacity (Qty. = 4)				Conduit KOs (in.)	
			Length (in.)	Width (in.)	Height (in.)	Volume	Sides	Bottom
665-AV2	2-1/2	3/4	5-3/4 5-3/4	3-3/4 2-3/4	3-3/8 3-3/8	72 cu. in. 52 cu. in.	(4) 2 (8) 1-1/4 (8) 3/4	(2) 2 (2) 1-1/4 (4) 3/4

Recessed Service Floor Boxes

Metallic Covers for 665 Series Floor Boxes



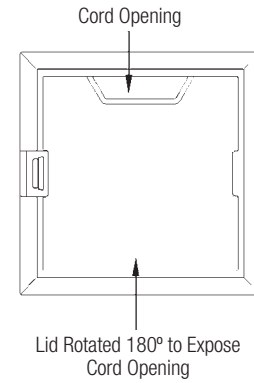
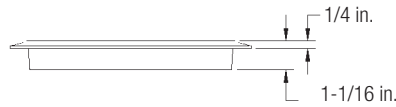
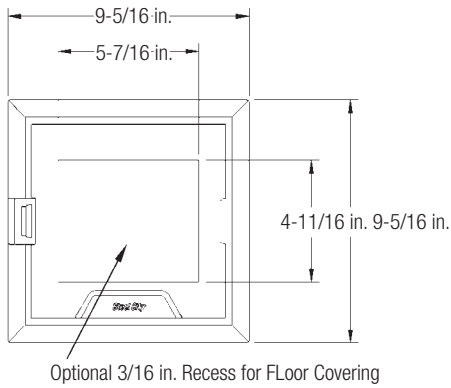
665-CST-M-BRS
Solid Brass



665-CST-M-ALM
Solid Aluminum



665-CST-M-BLK
Solid Black



Cat. No.	Description	Load Rating (lb.)	Std. Ctn.
665-CST-M-BRS	Solid Brass	1,500	1
665-CST-M-ALM	Solid Aluminum		
665-CST-M-BLK	Solid Black		

Recessed Service Floor Boxes

Nonmetallic Covers for 665 Series Floor Boxes



665-CST-SW-BLK
Black Nonmetallic Cover



665-CST-SW-GRY
Grey Nonmetallic Cover

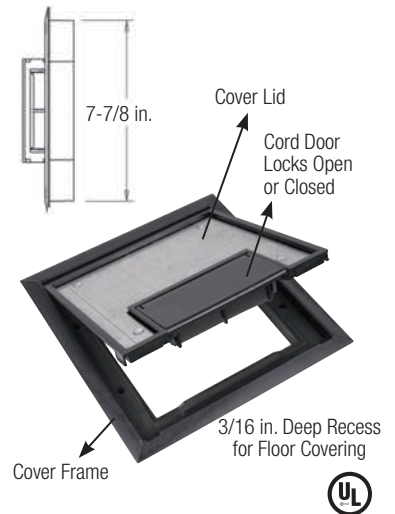
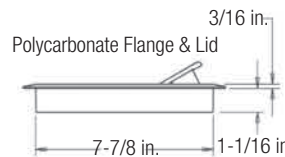
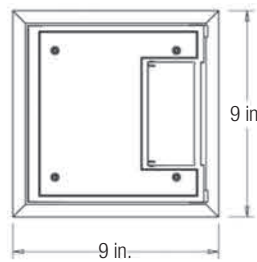


665-CST-SW-BGE
Beige Nonmetallic Cover



665-CST-SW-BRN
Brown Nonmetallic Cover

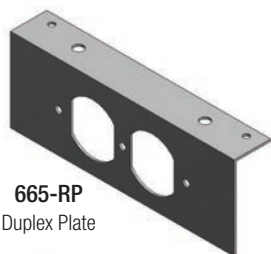
5/32 in. Steel Top Plate on Lid. Carpet or Tile can be glued to Top Plate



Cat. No.	Colour	Description	Std. Ctn.
665-CST-SW-BLK	Black	Nonmetallic Cover for 665 Series Floor Boxes	1
665-CST-SW-GRY	Grey		
665-CST-SW-BGE	Beige		
665-CST-SW-BRN	Brown		

Material: Polycarbonate with 5/32 in. steel plate
Furnished with (4) #8-32 x 5/8 in. mounting screws

Devices Plates and Accessories for 665 Series Floor Boxes



665-RP
Duplex Plate



665-GP
GFCI Plate



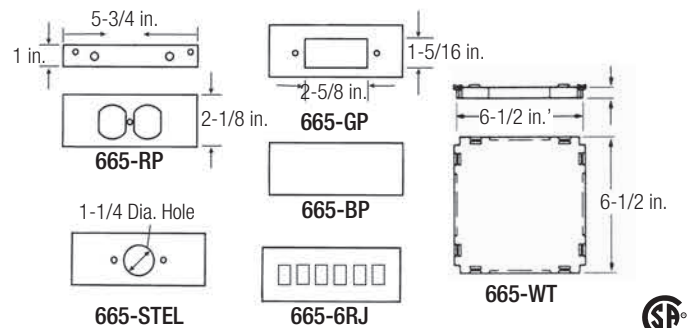
665-BP
Blank Plate



665-6RJ
Data Plate for 6
Keystone Jacks



665-WT
Wire Tunnel for 665-AV2 feeds multiple compartments from a single conduit (one included with each 665-AV2)

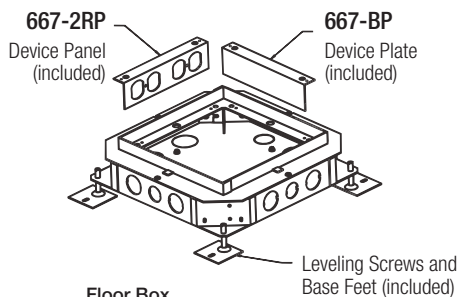
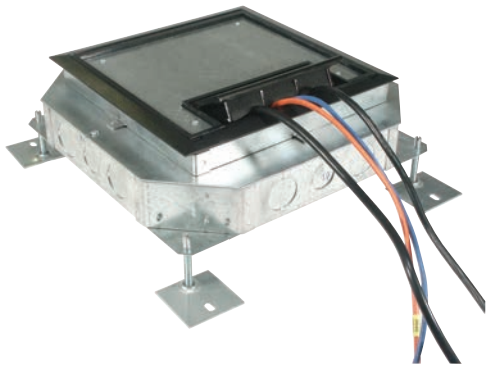


Cat. No.	Description	Std. Ctn.
665-RP	Duplex Plate for 665 Series	4
665-GP	GFCI Plate for 665 Series	
665-BP	Blank Plate for 665 Series	
665-6RJ	Data plate for 665 Series, Accepts 6 Keystone Jacks	
665-WT	Replacement Wire Tunnel for 665-SC & 665-AV2	
665-STEL*	Telephone/data Plate for 665	

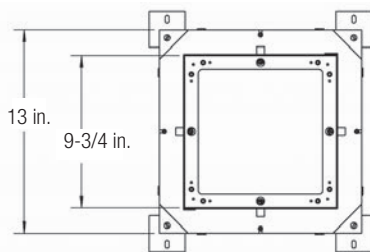
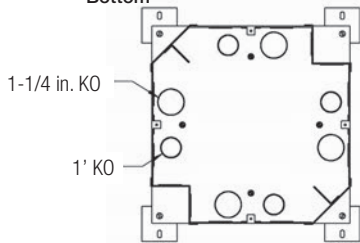
*Not CSA applicable
Each box requires (4) device plates. Material: Pre-galvanized steel.

Recessed Service Floor Boxes

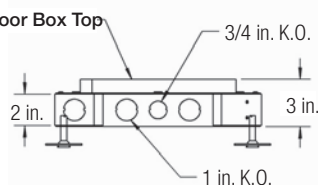
667-SC Floor Box



Floor Box Bottom



Floor Box Top



- **For concrete application**
- Largest capacity concealed-service floor box on the market.
 - Four “double-gangs” allow for two duplex receptacles per gang, for a total of eight receptacles per box
 - Each gang has 40 cu. in. of capacity
 - Box interior has 128 cu. in. of capacity
- Standard box configuration is for up to eight power and/or low-voltage devices
 - Box design allows for feed-through cabling for power and low-voltage conductors
- Shallow design
 - 3 in. overall height is ideal for renovations and upper level floor installations
- Full line of low-profile covers
 - Utilizes same quality cover as AFM-8 Access Floor Module
 - High-strength polycarbonate
 - Steel reinforced for added durability
 - Two receptacle cable exit ports
 - 64 sq. in. opening provides easy access to device panels
 - 1/4 in. recess for carpet/tile insert
 - Available in grey, black, brown and beige
- Box is manufactured with (1) 3/4 in., (3) 1 in. and (1) 1-1/4 in. KOs per gang.– This includes a 1 in. and 1-1/4 KO located in the bottom
- Full complement of device panels
 - Device panels available with one or two duplex openings, one or two GFCI openings, six standard “keystone” with Omni 110 bezels and blanks
- Provided with leveling legs and base feet
 - Base feet can be attached to form preventing box movement during concrete pour.
 - Leveling legs provide up to 1-1/2 in. pre-pour adjustment
- Manufactured from 14-gauge pre-galvanized steel
 - Quality construction provides added durability and rust protection
- MopTite™ covers meet UL scrub-water exclusion requirements for carpet, tile and wood

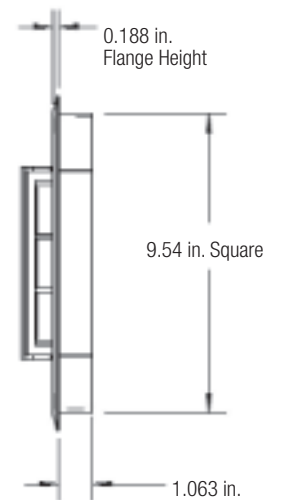
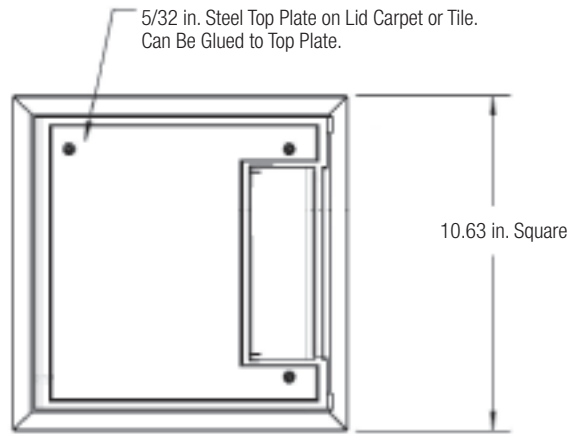
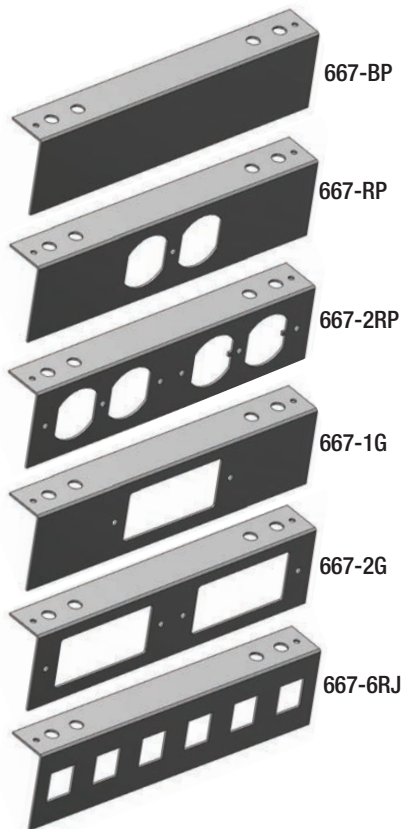


Cat. No.	Description	Std. Ctn.
667-SC	Four-Gang Recessed Floor Box	4

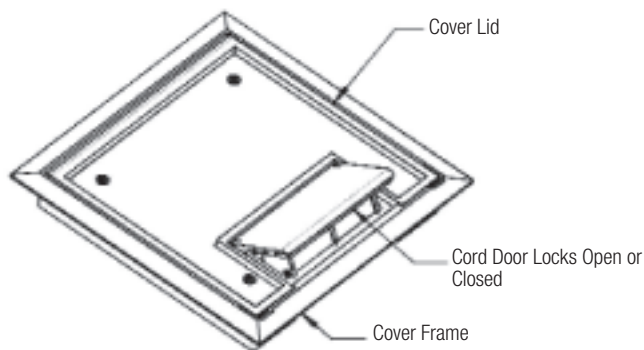
Supplied with (1) 667-2RP for 2 duplex receptacles and (1) 667-BP Blank Plate. For covers and other device plates, see page C57. For communications accessories, see page C85

Recessed Service Floor Boxes

667-SC Floor Box



667-CST-SW-XXX



Cat. No.	Description	Std. Ctn.
667-BP*	Blank Device Panel	4
667-RP*	Single Duplex Receptacle Plate	
667-2RP*	Device Panel for 2 Duplex Receptacles with Duplex KOs	
667-1G	Device Panel for 1 GFCI Receptacle	
667-2G	Device Panel for 2 GFCI Receptacles	
667-6RJ**	Device Panel for 6 Keystone Data Jacks	
667-CST-SW-GRY*	Cover and Flange – Grey	
667-CST-SW-BLK*	Cover and Flange – Black	
667-CST-SW-BRN*	Cover and Flange – Brown	
667-CST-SW-BGE*	Cover and Flange – Beige	

* Not CSA Certified

** For data connectors and adapters, see pages C89 – C90

New MopTite™ Covers exceed UL scrub-water exclusion requirements

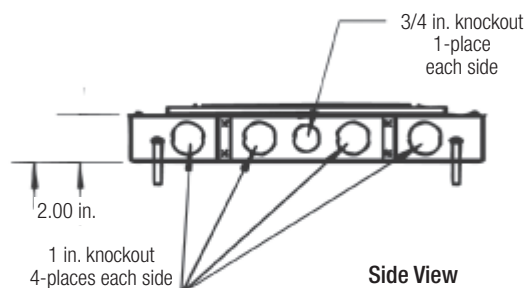
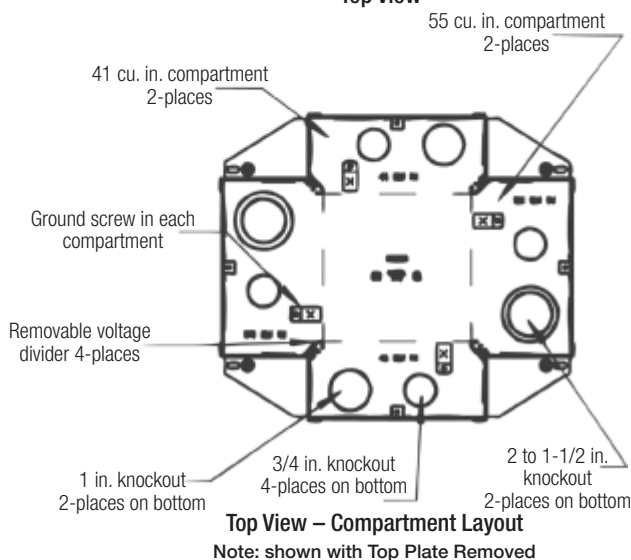
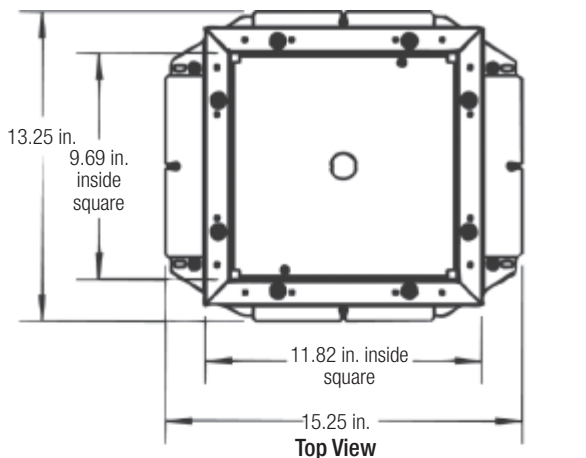
Recessed Service Floor Boxes

668-S Ultra-Shallow Floor Box



The 668-S Ultra-Shallow Floor Box from Thomas & Betts provides a high-capacity power and data solution for shallow **concrete floors**. The low-profile 4-gang box is constructed of galvanized stamped steel. Removable voltage dividers enable users to customize wiring configurations by feeding two or more adjacent compartments with a single conduit. Metallic covers with durable powder-coat finish are designed to match any decor, while optional edge trims enable covers to be mounted completely flush with the floor in tile or wood floor applications.

- Low profile (2-1/2 in. height) for shallow concrete pours
- 4-gang, recessed service for a high-capacity, aesthetic floor box solution
- Stamped-steel box construction
- Removable voltage dividers between compartments enable a single conduit to feed two or more adjacent compartments
- Metallic covers feature durable powder-coat paint to match any decor (black, grey, brown and beige)
- Heavy-duty cord door in the cover latches firmly in the open position to prevent damage to cables
- Optional tile trim enables flush mounting for tile and wood floor applications
- MopTite™ covers meet UL scrub-water exclusion requirements for carpet, tile and wood
- Largest cubic-inch capacity of any shallow, recessed 4-gang floor box
- Additional KOs (up to 2 in.) on the bottom of the box enable installation flexibility
- Custom device panels are available – contact your Regional Sales Office about these offerings



Specifications

- Material: Box – Galvanized Steel Cover – Die-Cast Zinc
- Listing: CSA and UL Listed



Cat. No.	Description	Std. Ctn.
668-S	Shallow, concealed service Floor Boxes	4

For covers and other device plates, see page C69
For communications accessories, see page C85

Recessed Service Floor Boxes

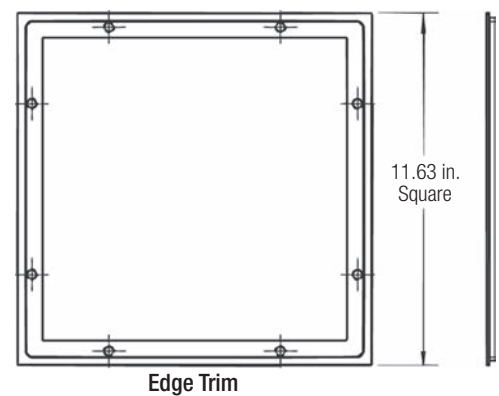
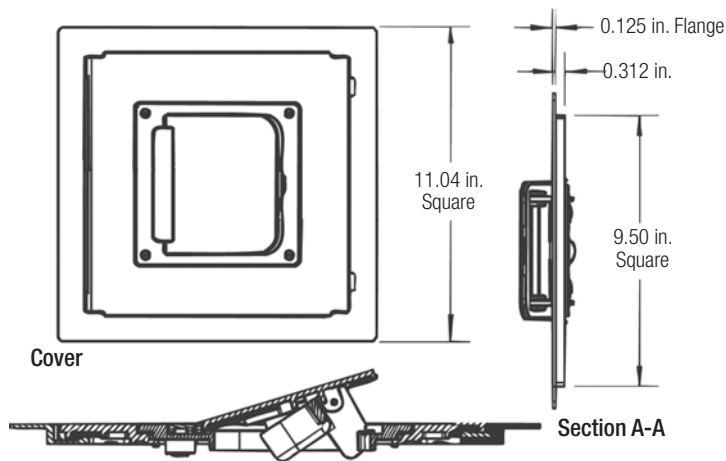
Covers & Tile Trims for 668-S Floor Box



Standard mounting configuration: Flange on cover overlaps carpet, tile or wood floors.



Flush mounting configuration. Optional trim ring allows cover to be mounted flush with tile or wood floors.



Cat. No.	Description	Std. Ctn.
668-CST-ALM	Metal Cover – Aluminum Powder Coat	1
668-CST-BRS	Metal Cover – Brass Powder Coat	
668-CST-BLK	Metal Cover – Black Powder Coat	
668-CST-BRN	Metal Cover – Brown Powder Coat	
668-CST-BGE	Metal Cover – Beige Powder Coat	

Cat. No.	Description	Std. Ctn.
668-TRIM-ALM	Edge Trim – Aluminum Powder Coat	4
668-TRIM-BRS	Edge Trim – Brass Powder Coat	
668-TRIM-BLK	Edge Trim – Black Powder Coat	
668-TRIM-BRN	Edge Trim – Brown Powder Coat	
668-TRIM-BGE	Edge Trim – Beige Powder Coat	

CSA non applicable

Device Plates for 668-S Floor Box



Cat. No.	Description	Std. Ctn.
668-S-1RP	Single-Gang Duplex Plate	1
668-S-1G	Single-Gang GFCI Plate	
668-S-BP	Blank Plate	



Cat. No.	Description	Std. Ctn.
668-S-6RJ	Data Plate – 6 Keystone Jacks	1
668-S-6PAN	Data Plate – 6 Panduit® Jacks	
668-S-6ORT	Data Plate – 6 Ortonics® Jacks	4
668-S-6AVA	Data Plate – 6 Avaya® Jacks	

CSA non applicable

Poke-Through Systems

Fire-Rated Poke-Through Systems

Capacity, Durability, Flexibility —
Everything You've Been Looking for in a Poke-Through.



FPT4

FFPT4

Poke-Through Systems

Fire-Rated Poke-Through Systems

Flush Power & Communications



FPT4 Series

- Maximum capacity and flexibility for flush-mounted power and communications devices, including the popular 4 x 4 configuration (4 power outlets, 4 communications devices)
- Core Drill Size: 4 in.



RPT6 Series

- Core Drill Size: 6 in.
- Greater capacity than typical 3 in. and 4 in. core poke-throughs
- Configurable compartment bottom junction box includes a cover with 1-1/4 in., 1-1/2 in. or 2 in. KO



FPT Flush Series

- Accepts 1 duplex receptacle
- Core Drill Size: 3 in.



FPT3 Series

- Accommodates 1 duplex receptacle and 2 data jacks
- Core Drill Size: 3 in.

Furniture Feed



FFPT4 Series

- 2 Conduits Hubs: 3/4 in. for power and 1-1/4 in. for communications
- Core Drill Size: 4 in.



FFPT6 Series

- Core Drill Size: 6 in.
- Power and/or communication connections: 3/4 in., 1-1/4 in. or 2 in. threaded hubs



FFPT3 Series

- Concentric 2 in. and 1-1/4 in. hub for power and communications
- Core Drill Size: 3 in.



FPT Furniture Feed Series

- 3 Conduit Hubs: (2) 1/2 in. and (1) 3/4 in. for power and communications
- Core Drill Size: 3 in.

Above Floor Pedestal



FPT Above-Floor Pedestals

- Available in 2 compartment and 4 compartment for power and communications
- Core Drill Size: 3 in.

Modular Poke-Through System

FPT4 Series – Flush Power and Communications

The FPT4 Series provides everything you look for in a flush poke-through — Capacity, Durability, Flexibility, Accessibility and Aesthetics

NEW COVER DESIGN



Capacity

- Four standard configurations:
 - 4 power receptacles + 4 communications devices (4 x 4)
 - 2 power receptacles + 6 communications devices
 - 8 communications devices
 - 1 locking receptacle + communications devices
- Core Drill Size: 4 in.

Durability

- Solid brass or aluminum covers protect devices from damage and debris when not in use – no exposed plastic components!
- Patented latching lid eliminates easily damaged, hard-to-use locking screws.

Accessibility

- Full access to communications compartment through the cover without exposing power compartments – even after it's installed in the floor!
- “Straight-through” wiring of communications cabling for easy installation and changes.

Flexibility

- Configurable design to meet any project requirements:
 - 4 standard configurations for power and communications devices
 - 20A receptacles can be wired as isolated ground (orange labels provided)
 - Communications plates available to accommodate data jacks from manufacturers
 - Accepts Extron® MAAP plates for AV components
- Threaded conduit hubs enable all communications cabling to be enclosed in a single conduit:
 - Integral 1 in. hub on the 4 x 4 – no extra parts needed!
 - Optional hubs available for other configurations
- Junction box features (5) 1/2 in. and (5) 3/4 in. knockouts (27 cubic inch capacity)

Aesthetics

- The only 4 in. core poke-through for power and communications with the entire cover made of solid brass – features an aesthetic brushed finish!
- Solid aluminum covers also available with brushed finish or powder-coated finishes in black, grey, brown and beige to match any décor – the most colours in the industry!

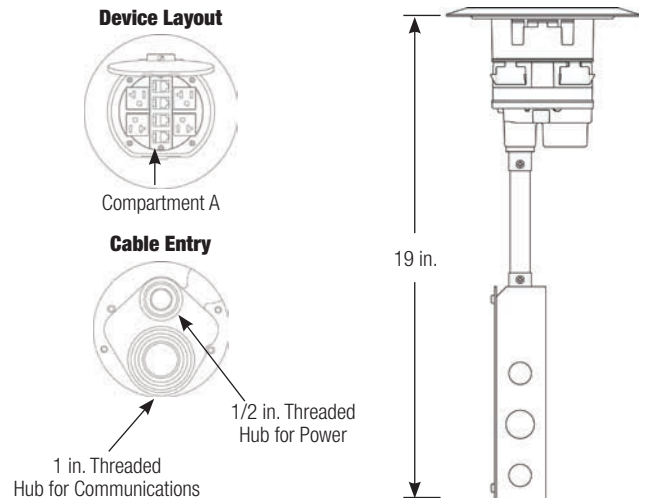
Flush Power and Communications

FPT4 Series – Poke-Through: 4 Power and Communications

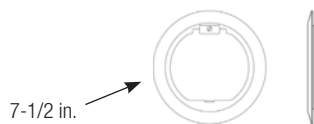
- Four 20A Receptacles, two circuits, six 12 AWG wires, prewired, pigtail ends in junction box (can be wired as isolated, labels provided)
- Keystone Communications Device Plate with four Keystone Category 5e Data Jacks – see page C65 for optional Communications Device Plates for Compartment A
- Integral 1 in. threaded conduit hub for communication wiring (cast iron)



Cat. No.	Description	Std. Ctn.
FPT4-4P-4C-TBRS	Brass Cover	1
FPT4-4P-4C-TALM	Aluminum Cover	
FPT4-4P-4C-TBLK	Black Cover	
FPT4-4P-4C	Poke-Through Base (cover purchased separately)	



FPT4 Series – Poke-Through: Covers



Cat. No.	Description	Std. Ctn.
FPT4-CVR-TBRS	Brushed Brass	4
FPT4-CVR-TALM	Brushed Aluminum	
FPT4-CVR-TBLK	Aluminum with Black Powder Coat Finish	
FPT4-CVR-TBGE	Aluminum with Beige Powder Coat Finish	
FPT4-CVR-TBRN	Aluminum with Brown Powder Coat Finish	

Forged solid brass and aluminum covers.
Patented latching lid closes easily without the need for locking screws

Brushed-Metal Finishes

Powder-Coat Finishes

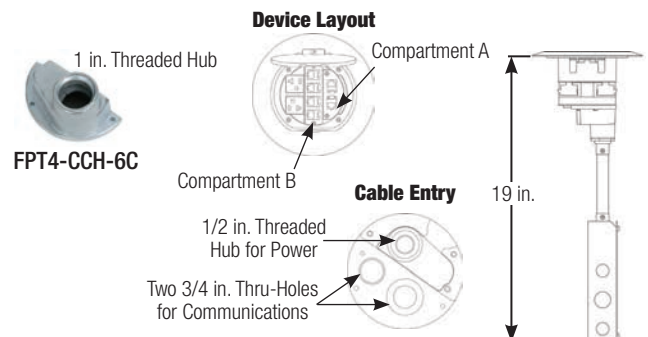


FPT4 Series – Poke-Through: 2 Power and 6 Communications

- Four 20A Receptacles, two circuits, six 12 AWG wires, prewired, pigtail ends in junction box (can be wired as isolated, labels provided)
- Includes Keystone Communications Device Plate with six Keystone Category 5e Data Jacks – see page C65 for optional Communications Device Plates for Compartment A and Compartment B

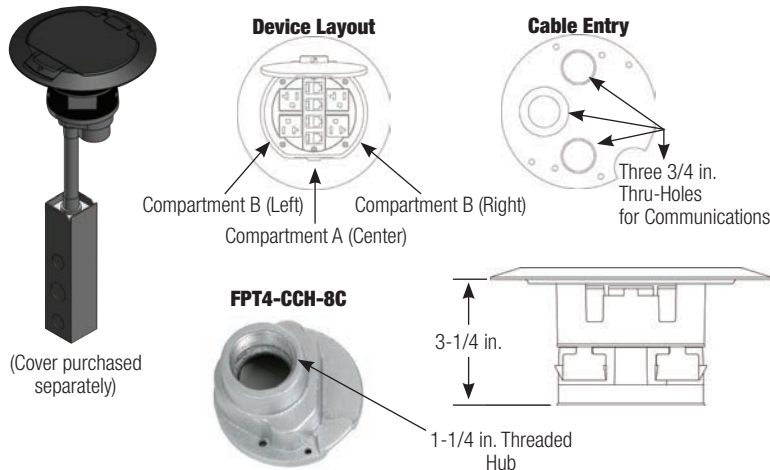


Cat. No.	Description	Std. Ctn.
FPT4-2P-6C	Poke-Through Base Unit Only (cover purchased separately)	1
FPT4-CCH-6C	Optional 1 in. Threaded Conduit Hub for communications Wiring (cast iron)	



Flush Power and Communications

FPT4 Series – Poke-Through: 8 Communications

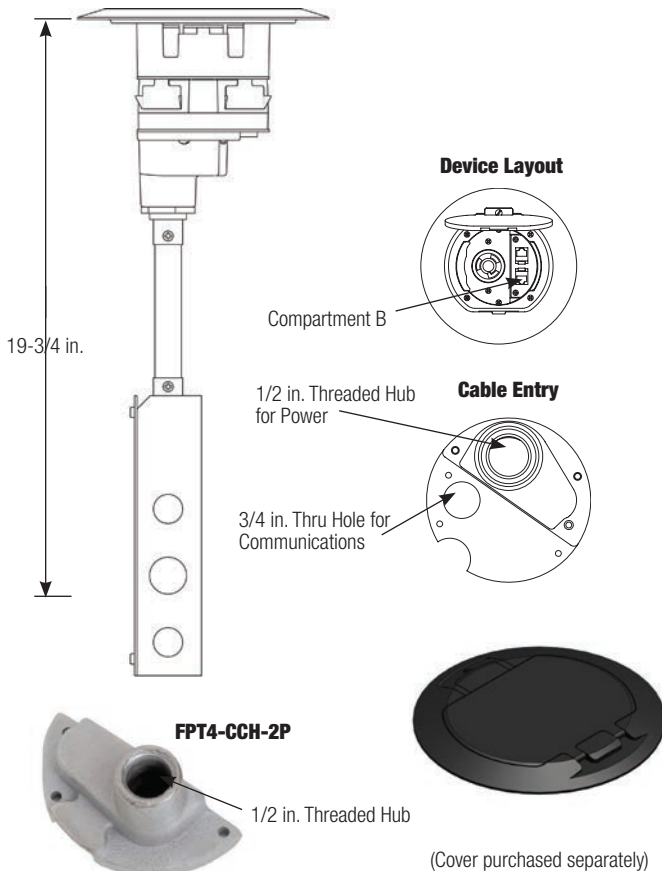


- Keystone Communications Device Plates with eight Keystone Category 5e Data Jacks – see page C65 for optional Communications Device Plates for Compartment A and Compartment B
- No Junction Box



Cat. No.	Description	Std. Ctn.
FPT4-8C	Poke-Through Base (cover purchased separately)	1
FPT4-CCH-8C	Optional 1-1/4 in. Threaded Conduit Hub for communications Wiring (cast iron)	4

FPT4 Series – Poke-Through: 1 Locking Receptacle and 2 Communications



- 20A Receptacle: pre-wired, three 12 AWG wires, pigtail ends in junction box
- 30A Receptacle: pre-wired, three 10 AWG wires, pigtail ends in junction box
- Cover purchased separately
- Includes Keystone Communications Device Plates with two Keystone Category 5e Data Jacks – see page C65 for optional Communications Device Plates for Compartment B

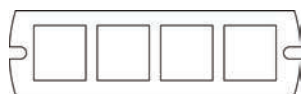


Cat. No.	Description	Std. Ctn.
FPT4-1TL21-2C	Poke-Through Base, NEMA L5-20R, 20A/125V Locking Receptacle, 2 Communications Receptacles	1
FPT4-1TL22-2C	Poke-Through Base, NEMA L6-20R, 20A/250V Locking Receptacle, 2 Communications Receptacles	
FPT4-1TL31-2C	Poke-Through Base, NEMA L5-30R, 30A/125V Locking Receptacle, 2 Communications Receptacles	
FPT4-1TL32-2C	Poke-Through Base, NEMA L6-30R, 30A/250V Locking Receptacle, 2 Communications Receptacles	
FPT4-CCH-2P	Optional 1/2 in. Threaded Conduit Hub for communications Wiring (cast iron)	4

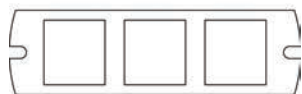
Flush Power and Communications

FPT4 Series – Optional Communications Device Plates

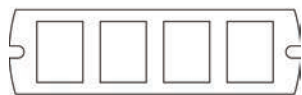
**Compartment A
Plates**



FPT4-CPA-4SYS



FPT4-CPA-3PAN**



FPT4-CPA-4KEY



FPT4-CPA-1MAAP

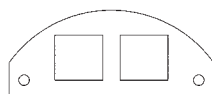


FPT4-CPA-4ORT

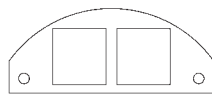


FPT4-CPA-BLANK

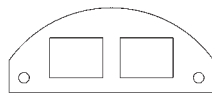
**Compartment B
Plates**



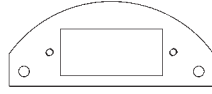
FPT4-CPB-2SYS



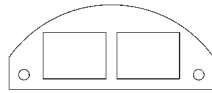
FPT4-CPB-2PAN**



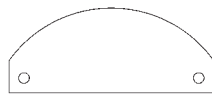
FPT4-CPB-2KEY



FPT4-CPB-1MAAP

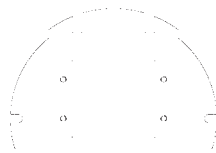


FPT4-CPB-2ORT

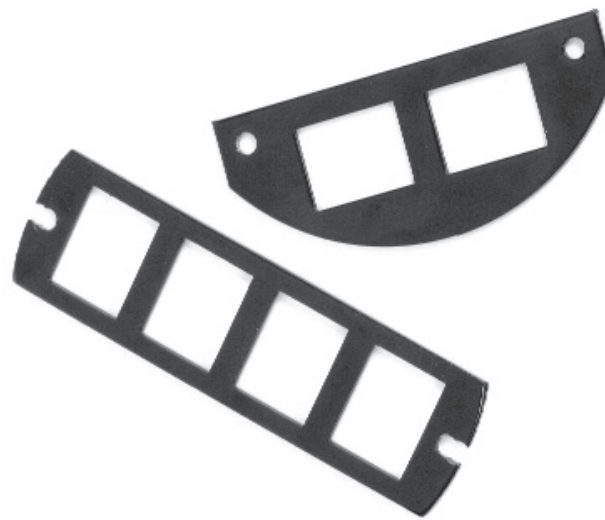


FPT4-CPB-BLANK

**Compartment
A-B Plate*****



FPT4-CPAB-2MAAP



Cat. No.	Description	Std. Ctn.
FPT4-CPA-4KEY	For 4 Keystone Jacks – Compartment A*	4
FPT4-CPA-4SYS	For 4 Systemax® Jacks – Compartment A	
FPT4-CPA-3PAN**	For 3 PANDUIT Jacks – Compartment A**	
FPT4-CPA-1MAAP	For Extron® MAAP Plate, Single Space – Compartment A	
FPT4-CPA-4ORT	For 4 Ortronics® Jacks – Compartment A	
FPT4-CPA-BLANK	Blank – Compartment A	
FPT4-CPB-2KEY	For 2 Keystone Jacks – Compartment B*	
FPT4-CPB-2SYS	For 2 Systemax® Jacks – Compartment B	
FPT4-CPB-2PAN**	For 2 PANDUIT Jacks – Compartment B**	
FPT4-CPB-1MAAP	For Extron® MAAP Plate, Single Space – Compartment B	
FPT4-CPB-2ORT	For 2 Ortronics® Jacks – Compartment B	
FPT4-CPB-BLANK	Blank – Compartment B	
FPT4-CPAB-2MAAP	For Extron® MAAP Plate, Double Space – Compartment A-B	

CSA not applicable

Device Plate Only – no jacks included

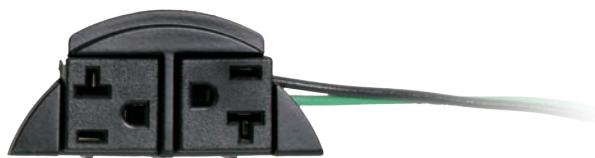
* Keystone plates also accept Leviton® and Hubbell® devices

** Requires CMNZABL-X adapter from PANDUIT® to mount PANDUIT® MiniCom jacks

*** For use with FPT4-2P-6C and FPT4-8C Series only; replaces one Compartment A plate and one Compartment B plate

Listed trademarks are owned by their respective companies.

FPT4 Series – Replacement Power Insert – 2 Receptacles



- For use with FPT4-4P-4C and FPT4-2P-6C Series Poke-Through Systems

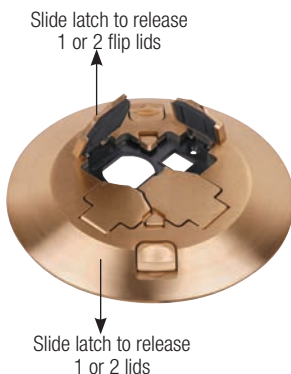
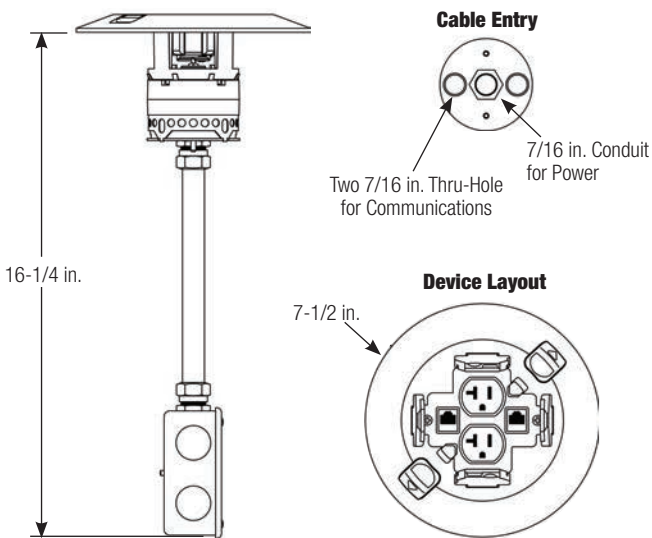
Cat. No.	Description	Std. Ctn.
FPT4-2P-RPL	Replacement Power Insert with 18 in. Wire Whip – Two 20A Receptacles	4

Flush Power and Communications

FPT3 Series – Poke-Through: 2 Power and 2 Communications

This aesthetic, easy-to-use Poke-Through provides an ideal power and data solution – great for new construction for upgrading existing 3 in. core installations.

- Capacity: 1 duplex receptacle and 2 data jacks (included)
- Core Drill Size 3 in.
- Durable solid brass or aluminum covers protect devices from damage and debris when not in use – no exposed plastic components
- Powder-coated aluminum covers are available in black, grey, brown and beige to match any décor – the most colours in the industry
- Brushed brass and aluminum finishes provide superior aesthetics
- Slide latches enable tool-less access to individual receptacles – eliminates the need for hard-to-use locking screws
- Accepts Keystone, Leviton® or Hubbell® data jacks
- Junction box features (3) 1/2 in. and (4) 3/4 in. knockouts (13 cubic inch capacity)
- Includes (1) 20A duplex receptacle, pre-wired, pigtail ends in junction box
- Includes (2) Leviton CAT 5e data jacks



Cat. No.	Description	Std. Ctn.
Poke-Through Base Unit		
FPT3-2P-2C-BRS	Brushed-Brass Cover	4
FPT3-2P-2C-ALM	Brushed-Aluminum Cover	
FPT3-2P-2C-BLK	Black Powder-Coat Cover	
FPT3-2P-2C	FPT3 Series Poke-Through Base Unit Only: (Cover purchased separately)	
Poke-Through Covers		
FPT3-CVR-BRS	Solid Brass, Brushed Finish	4
FPT3-CVR-ALM	Solid Aluminum, Brushed Finish	
FPT3-CVR-BLK	Aluminum with Black Powder-Coat Finish	
FPT3-CVR-GRY	Aluminum with Grey Powder-Coat Finish	
FPT3-CVR-BGE	Aluminum with Beige Powder-Coat Finish	
FPT3-CVR-BRN	Aluminum with Brown Powder-Coat Finish	

See page C67 to view brushed metal and powder coat finishes

Flush Power and Communications

RPT6 Series – Recessed Poke-Through

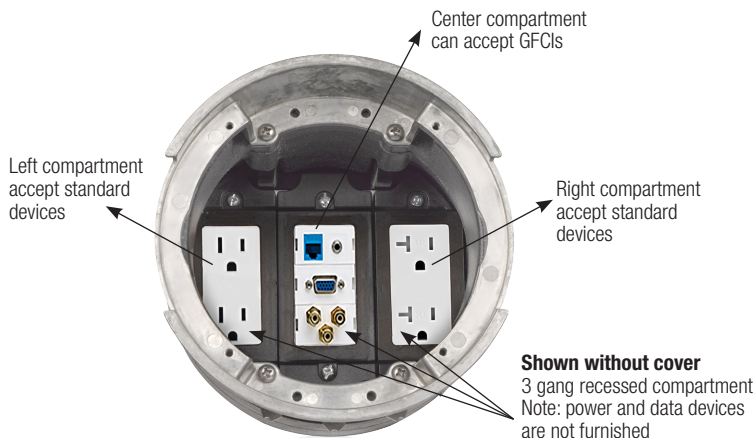
Given the limitations on the number of holes that can be drilled in a floor, it is important to maximize the capacity of each location.

The RPT6 series offers a configurable solution that provides high capacity for both power wiring and communications cabling in a single-core drill location.

- Greater capacity than typical 3 in. and 4 in. core poke-throughs
- Core drill size: 6 in.
- Solid brass, black and brushed aluminum finishes provide superior aesthetics and durability
- Customer can use off-the-shelf wiring devices
- Center compartment can accept GFCIs
- Recessed service conceals devices below floor level
- Configurable compartment bottom junction box includes a cover with 1-1/4 in., 1-1/2 in. or 2 in. knockouts
- UL 263 – 2-hour fire test



The **new interactive 3D** view of the RPT6 is available online under www.tnb.ca



Cat. No.	Description	Std. Ctn.
RPT6-3G-BRS	RPT6 series poke-through Assembly: Base unit with solid brass cover	1
RPT6-3G-BLK	RPT6 series poke-through Assembly: Base unit with black cover	
RPT6-3G-ALM	RPT6 series poke-through Assembly: Base unit with brushed aluminum cover	

RPT6 Series – Recessed Poke-Through Covers

Cat. No.	Description	Std. Ctn.
RPT6-CVR-BRS	Solid brass cover	1
RPT6-CVR-BLK	Black cover	
RPT6-CVR-ALM	Brushed aluminum cover	



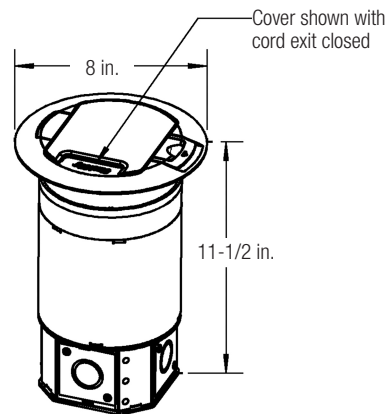
Solid Brass



Black



Brushed Aluminum



Flush Power and Communications

FPT Flush Series – Poke-Through: 2 Power

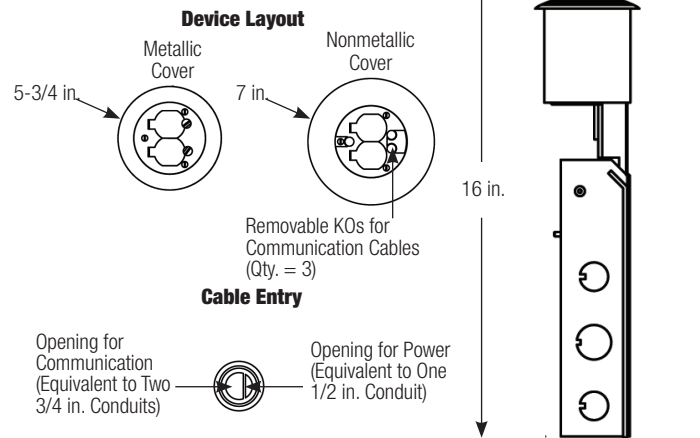


The Steel City® FPT Poke-Through Series provides an economical solution for installing a duplex receptacle in an existing floor – right where you need it.

- Capacity: 1 duplex receptacle
- Core Drill Size 3 in.
- Brushed brass and aluminum covers provide superior aesthetics and durability
- Nonmetallic covers are available in black, grey, beige and brown
- Nonmetallic covers include openings for 3 communications cables
- Integral junction box features (5) 1/2 in. and (5) 3/4 in. knockouts (27 cubic inch capacity)
- Assembled units include (1) 20A duplex receptacle, pre-wired with pigtail ends in junction box



Cat. No.	Description	Std. Ctn.
FPT-449	With Solid Brass Cover	1
FPT-450	With Solid Aluminum Cover	
FPT-445-SW-BLK	With Black Nonmetallic Cover	
FPT-445-SW-GRY	With Grey Nonmetallic Cover	
FPT-445-SW-BGE	With Beige Nonmetallic Cover	
FPT-445-SW-BRN	With Brown Nonmetallic Cover	
FPT-445-SW-BRS	With Brass Cover	
FPT-400B	FPT Poke-Through Base Unit Only (no duplex) (Cover purchased separately)	



FPT Flush Series – Poke-Through Covers

- Nonmetallic covers feature openings for 3 communication cables



Cat. No.	Description	Std. Ctn.
FPT-CACP	Solid Brass, Brushed Finish, 5-3/4 in. Diameter	10
FPT-CACP-AL	Solid Aluminum, Brushed Finish, 5-3/4 in. Diameter	
FPT-441-SW-BLK*	Black, Nonmetallic, 7 in. Diameter	
FPT-441-SW-GRY*	Grey, Nonmetallic, 7 in. Diameter	
FPT-441-SW-BGE*	Beige, Nonmetallic, 7 in. Diameter	
FPT-441-SW-BRN*	Brown, Nonmetallic, 7 in. Diameter	

*Not CSA Certified

Brushed-Metal Finishes



FPT-CACP
Solid Brass



FPT-CACP-AL
Solid Aluminum

Nonmetallic Colours and Finishes



FPT-441-SW-BLK
Black



FPT-441-SW-BGE
Beige



FPT-441-SW-GRY
Grey



FPT-441-SW-BRN
Brown

Furniture Feed

FFPT4 Series Poke-Through

With limitations on the number of holes that can be drilled in a floor, it is important to maximize the capacity of each location. The FFPT4 Series provides high capacity for both power wiring and communications cabling when feeding modular furniture — in a single-core drill location!

- Capacity: 3/4 in. hub for power wiring and 1-1/4 in. hub communications cabling (plugs included)
- Core Drill Size 4 in.
- Solid brass and aluminum finishes provide superior aesthetics and durability
- Powder-coated aluminum covers are available in black, grey, brown and beige to match any décor – the most colours in the industry
- Integral junction box features (5) 1/2 in. and (5) 3/4 in. knockouts (27 cubic inch capacity)



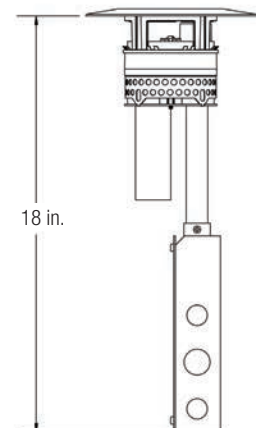
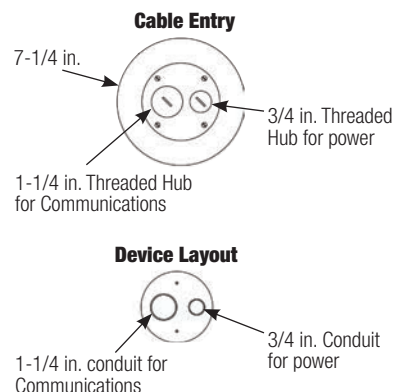
Cat. No.	Description	Std. Ctn.
FFPT4-BRS	With Brushed-Brass Cover	1
FFPT4-ALM	With Brushed-Aluminum Cover	
FFPT4-BLK	With Black Powder-Coat Cover	
FFPT4	FFPT4 Series Poke-Through Base Unit Only (Cover purchased separately)	



Cat. No.	Description	Std. Ctn.
FFPT4-CVR-BRS	Solid Brass, Brushed Finish	4
FFPT4-CVR-ALM	Solid Aluminum, Brushed Finish	
FFPT4-CVR-BLK	Aluminum with Black Powder-Coat Finish	
FFPT4-CVR-GRY	Aluminum with Grey Powder-Coat Finish	
FFPT4-CVR-BGE	Aluminum with Beige Powder-Coat Finish	
FFPT4-CVR-BRN	Aluminum with Brown Powder-Coat Finish	

Cat. No.	Description	Std. Ctn.
FFPT4-RPK-BRS	Solid Brass, Brushed Finish	4
FFPT4-RPK-ALM	Solid Aluminum, Brushed Finish	
FFPT4-RPK-BLK	Aluminum with Black Powder-Coat Finish	
FFPT4-RPK-GRY	Aluminum with Grey Powder-Coat Finish	
FFPT4-RPK-BGE	Aluminum with Beige Powder-Coat Finish	
FFPT4-RPK-BRN	Aluminum with Brown Powder-Coat Finish	

CSA not applicable



FFPT4 Series – Poke-Through Covers



FFPT4 Series – Replacement Plug Kits

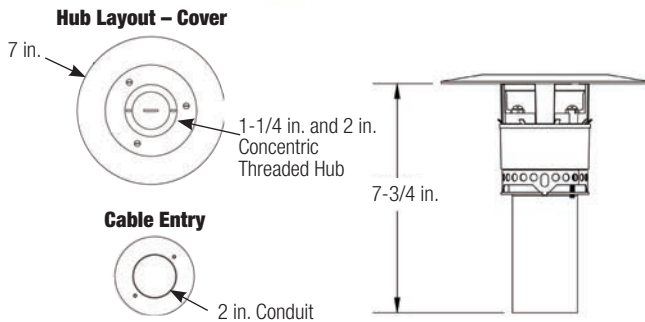
- Replacement plug kit includes (1) 3/4 in. and (1) 1-1/4 in. plugs

Furniture Feed

FFPT3 Series Poke-Through

When feeding large bundles of communications cables through a fire-rated floor, the FFPT3 Series provides a high-capacity, straight-through wiring solution. It can also be used for power wiring.

- Capacity: Concentric 1-1/4 in. and 2 in. hub for power or communications wiring (plugs included)
- Core Drill Size 3 in.
- Solid brass and aluminum covers provide superior aesthetics and durability
- Powder-coated aluminum covers are available in black, grey, brown and beige to match any décor – the most colours in the industry
- Junction box not included



Cat. No.	Description	Std. Ctn.
FFPT3-BRS	With Brushed-Brass Cover	1
FFPT3-ALM	With Brushed-Aluminum Cover	
FFPT3-BLK	With Black Powder-Coat Cover	
FFPT3	FFPT3 Series Poke-Through Base Unit Only (Cover purchased separately)	

FFPT3 Series – Poke-Through Covers



Cat. No.	Description	Std. Ctn.
FFPT3-CVR-BRS	Solid Brass, Brushed Finish	4
FFPT3-CVR-ALM	Solid Aluminum, Brushed Finish	
FFPT3-CVR-BLK	Aluminum with Black Powder-Coat Finish	
FFPT3-CVR-GRY	Aluminum with Grey Powder-Coat Finish	
FFPT3-CVR-BGE	Aluminum with Beige Powder-Coat Finish	
FFPT3-CVR-BRN	Aluminum with Brown Powder-Coat Finish	

FFPT3 Series – Replacement Plug Kits

- Replacement plug kit includes 1-1/4 in. concentric and 2 in. plug

Cat. No.	Description	Std. Ctn.
FFPT3-RPK-BRS	Solid Brass, Brushed Finish	4
FFPT3-RPK-ALM	Solid Aluminum, Brushed Finish	
FFPT3-RPK-BLK	Aluminum with Black Powder-Coat Finish	
FFPT3-RPK-GRY	Aluminum with Grey Powder-Coat Finish	
FFPT3-RPK-BGE	Aluminum with Beige Powder-Coat Finish	
FFPT3-RPK-BRN	Aluminum with Brown Powder-Coat Finish	

CSA not applicable

Furniture Feed

FFPT6 Series Furniture Feed Poke-Through

Given the limitations on the number of holes that can be drilled in a floor, it is important to maximize the capacity of each location.

The FFPT6 series provides high capacity for both power wiring and communications cabling when feeding modular furniture in a single-core drill location!

- Power and/or communication connections: 3/4 in., 1-1/4 in. or 2 in. threaded hubs
- Core drill size: 6 in.
- Solid brass, black and brushed aluminum cover finishes provide superior aesthetics and durability
- Integral junction box features five 1/2 in. and five 3/4 in. knockouts, with 27 in³ capacity (443 cm³)
- UL 263 – 2-hour fire test



Cat. No.	Description	Std. Ctn.
FFPT6-BRS	FFPT6 series poke-through Assembly: Base unit with solid brass cover	1
FFPT6-BLK	FFPT6 series poke-through Assembly: Base unit with black cover	
FFPT6-ALM	FFPT6 series poke-through Assembly: Base unit with brushed aluminum cover	



FFPT6 Series – Furniture Feed Poke-Through Covers

Cat. No.	Description	Std. Ctn.
FFPT6-CVR-BRS	Solid brass cover	1
FFPT6-CVR-BLK	Black cover	
FFPT6-CVR-ALM	Brushed aluminum cover	



Solid Brass



Black



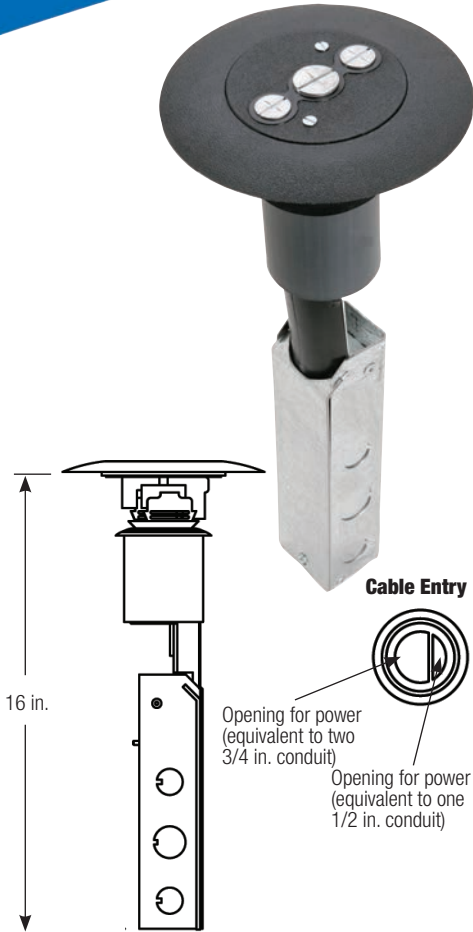
Brushed Aluminum

Furniture Feed

FPT Furniture Feed Series

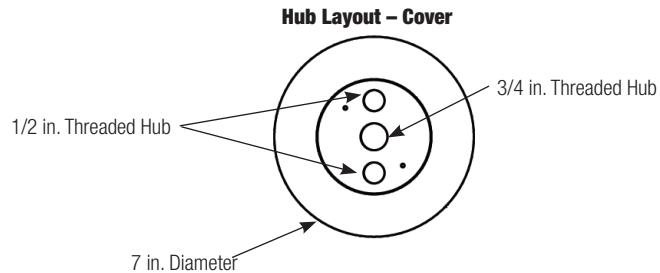
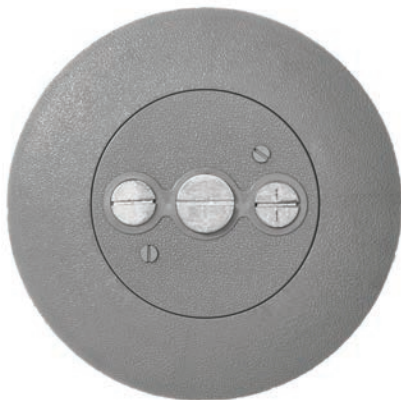
With three conduit hubs for power and communications and an integral junction box, the FPT Series provides a flexible, cost effective furniture feed solution.

- Capacity: (2) 1/2 in. hubs and (1) 3/4 in. hub for power and data (plugs included)
- Core Drill Size 3 in.
- Nonmetallic covers are available in black, grey, beige and brown
- Provided with Steel City® die cast fittings for flexible metal conduit: (2) 1/2 in. and (1) 3/4 in.
- Integral junction box features (5) 1/2 in. and (5) 3/4 in. knockouts (27 cubic inch capacity)



Cat. No.	Description	Std. Ctn.
FPT448-SW-BLK	With Black Nonmetallic Cover	1
FPT448-SW-GRY	With Grey Nonmetallic Cover	
FPT448-SW-BGE	With Beige Nonmetallic Cover	
FPT448-SW-BRN	With Brown Nonmetallic Cover	
FPT-400B	FPT Poke-Through Base Unit Only (Cover purchased separately)	

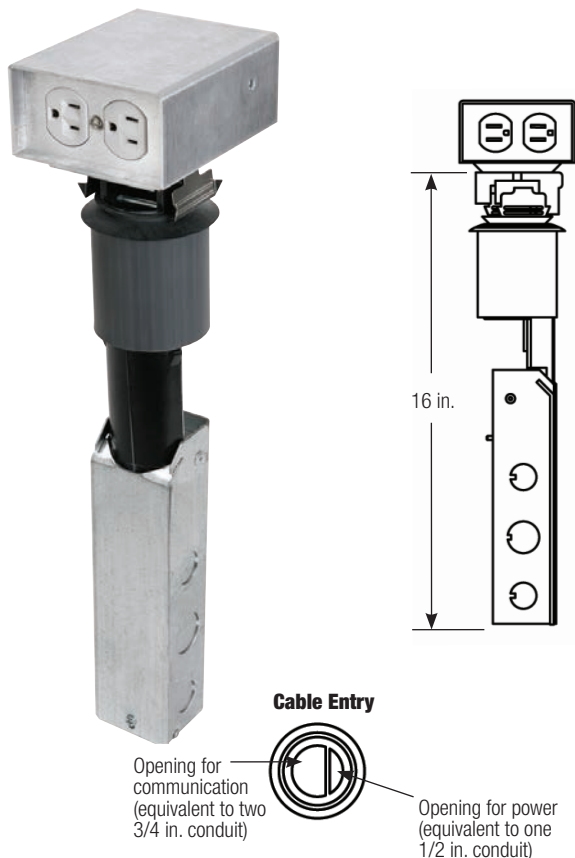
Furniture Feed Poke-Through Covers



Cat. No.	Description	Std. Ctn.
FPT-442-SW-BLK	Black, Nonmetallic	1
FPT-442-SW-GRY	Grey, Nonmetallic	
FPT-442-SW-BGE	Beige, Nonmetallic	
FPT-442-SW-BRN	Brown, Nonmetallic	

Above-Floor Pedestals

FPT Pedestal Series



By mounting all outlets above-floor level and at a 90° angle to the floor, the FPT Pedestal Series protects power receptacles and communications devices from dirt and debris. An overhanging housing provides additional protection for the outlets.

- Pedestals available in 2 compartment and 4 compartment for power and communications applications
- Core Drill Size 3 in.
- Housings and device plates feature a brushed-aluminum finish
- Integral junction box features (5) 1/2 in. and (5) 3/4 in. knockouts (27 cubic inch capacity)



FPT-401A



FPT-421



Cat. No.	Description	Std. Ctn.
FPT-401A	FPT Pedestal, Accepts 2 Device Plates, Poke-Through Base Unit Purchased Separately (2-5/8 in. H x 4 in. W x 4-7/8 in. D)	10
FPT-421	FPT Pedestal, Accepts 4 Device Plates, Poke-Through Base Unit Purchased Separately (2-5/8 in. H x 4 in. W x 4-7/8 in. D)	5
FPT-400B	FPT Poke-Through Base Unit Only	1

FPT Pedestal Series – Device Plates & Accessories



OPOD4-WH

Cat. No.	Description	Std. Ctn.
FPT-424	Duplex Device Plate, Aluminum with Anodized Finish	50
FPT-425	Blank Device Plate, Aluminum with Anodized Finish	50
OPOD4-WH*	4-Port "106" Duplex Adapter for Keystone Jacks (for use with FPT-424 plate)	100
FPT-408A	Voltage Divider for FPT-401A Pedestal	10
FPT-422A	Voltage Divider for FPT-421 Pedestal	10
FPT-416	Adapter for Conduit Stub Ups	50

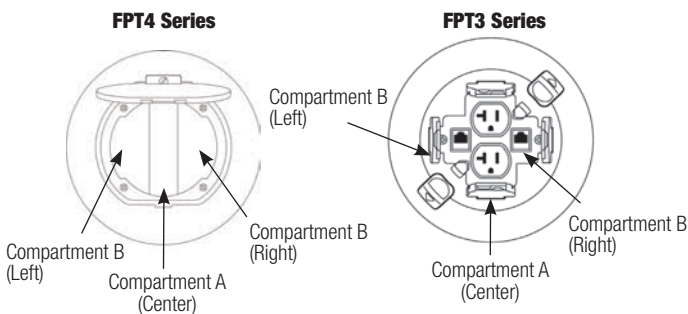
*CSA not applicable

Flush Power and Communications

Technical Specifications

Fire Rating and Concrete Thickness Min./Max. (all series)

- For use in 1-, 1-1/2 and 2-hour rated floors
- 1-hour rated floor:
 - 2-1/4 in. minimum concrete over steel decking
 - 3 in. minimum concrete for reinforced slab
 - 7-1/2 in. maximum concrete thickness
- 2-hour rated floor:
 - 3-1/4 in. minimum concrete over steel decking
 - 4 in. minimum concrete for reinforced slab
 - 7-1/2 in. maximum concrete thickness



Maximum Allowable Copper Cross-Sectional Area for Communications Cabling — Furniture Feed Poke-Through Systems

- FFPT4 Series:
 - 3/4 in. Hub for Power
 - 1-1/4 in. Hub for Communications
- FFPT3 Series:
 - 2 in. Hub for Power or Communications

Materials

- FPT4 Series:
 - Covers: Solid brass or aluminum
 - Conduit Hubs: Cast Iron
 - Base: Die-cast zinc, galvanized steel & intumescent fire-stop material
 - Junction box: Galvanized steel
- FPT3 Series:
 - Covers: Solid brass or aluminum
 - Base: Die-cast zinc, galvanized steel & intumescent fire-stop material
 - Junction box: Galvanized steel
- FPT Flush/Furniture Feed/Pedestal Series:
 - Covers: Solid brass or aluminum, nonmetallic – polycarbonate
 - Base: Phenolic, galvanized steel & intumescent fire-stop material
 - Junction box: Galvanized steel
- FFPT4 Series:
 - Covers: Solid brass or aluminum
 - Base: Die-cast zinc, galvanized steel & intumescent fire-stop material
 - Junction box: Galvanized steel
- FFPT3 Series:
 - Covers: Solid brass or aluminum
 - Base: Die-cast zinc, galvanized steel & intumescent fire-stop material

Poke-Through Series	Maximum Allowable Copper Cross-Sectional Area for Communications Cabling		
	Compartment B (Left)	Compartment A (Center)	Compartment B (Right)
FPT4-4P-4C	Power	0.01630 sq. in.	Power
FPT4-2P-6C	Power	0.01630 sq. in.	0.01536 sq. in.
FPT4-8C	0.01536 sq. in.	0.01630 sq. in.	0.01536 sq. in.
FPT4-1TL-2C	Power	Power	0.01536 sq. in.
FPT3-2P-2C	0.00321 sq. in.	Power	0.00321 sq. in.

Cross-Sectional Area for Common Copper Conductors	
24 AWG	0.00032 sq. in.
22 AWG	0.00050 sq. in.
14 AWG	0.00323 sq. in.
12 AWG	0.00512 sq. in.
10 AWG	0.00615 sq. in.
8 AWG	0.01296 sq. in.

Solid or stranded wires

RPT Series The RPT Series has been superseded by the FPT4 Series	
RPT Series	FPT4 Series
RPT-4P-2RJ	FPT4-4P-4C
RPT-2P-4RJ	FPT4-2P-6C
RPT-6RJ	FPT4-8C

Installation Spacing

- Minimum of 2-ft on center
- Not more than one Poke-Through per 65 sq. ft. of floor area in each span

Access Floor Modules



Steel City® Access Floor Modules from Thomas & Betts eliminate the clutter of power, voice and data lines by keeping everything out of sight but conveniently close at hand. Our easy-to-

install Access Floor Modules are designed to blend with any décor, while providing the durability and versatility you need to meet the growing demands of today's high-tech offices. You can use our Access Floor Modules with virtually any type of raised floor. Our system is designed to provide a simple, strong and adaptable solution to even the most demanding wire-management needs.

Range of Box Sizes Designed to Meet the Needs of any Application. Now and Later.

With six sizes to choose from, our Access Floor Modules handle a broad range of wiring needs, from single power lines to complex data and voice systems. In fact, our largest unit offers 325 cu. in. of space, making it the roomiest in the industry. And, because our modules are easy to install and relocate, you can easily change box sizes or reposition modules as office configurations change.

New, Low-Profile Box Fits Right In with Shallower Raised Floors.

For installations where shallower raised floors are needed, Thomas & Betts has developed a low-profile Access Floor Module to provide the same accessibility and convenience where space is a premium. Just 2-1/2 inches deep, it can still accommodate a variety of power, voice and data connections.



Wide Variety of Interchangeable Power and Data Panels Adapt to Changing Demands.

Our extensive line of panels and connection devices maximize the versatility of our Access Floor Modules. All our panels are designed to be easy to connect, disconnect and rearrange to reduce on-site installation time. And Thomas & Betts is continually developing new configurations to meet the requirements of virtually any installation, especially for the fast-growing needs of voice and data communication.

Durable, Solid Steel Covers Support Heavy Loads to Protect Important Connections.

We've reinforced the resilient nylon covers of our modules with a 5/32 in. steel plate to prevent buckling under heavy furniture and equipment. The beveled sides enable quick and unobstructed installation in the raised floor.

In addition, our retractable exit not only helps prevent tripping, but protects cable connections by sealing out dust and debris. And, as with all Thomas & Betts products, our Access Floor Modules are constructed to meet our high standards for durability, safety and reliability.

Steel City® Access Floor Modules Provide Outstanding Performance Without Standing Out.

The hinged service top on our modules sits flush with the floor and provides complete access to the connections within. The nylon frame comes in grey, brown, beige and black.

Our Access Floor Modules keep wire connections close-at-hand but not under foot. The widest variety of box sizes, panels and devices in the industry provides exceptional versatility for changing office needs. Look below the surface and see how Steel City® Access Floor Modules can manage all your power, voice and data connections – today and tomorrow.

Access Floor Modules

AFM-2 Series Access Floor Module – Nonmetallic Covers

Specifications



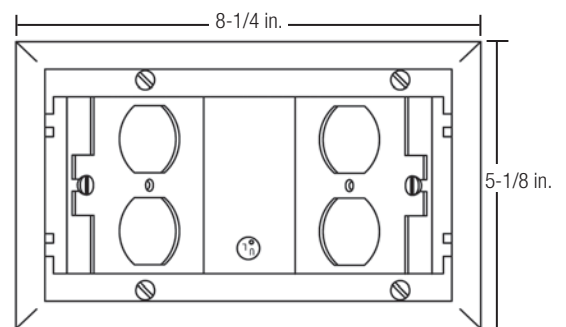
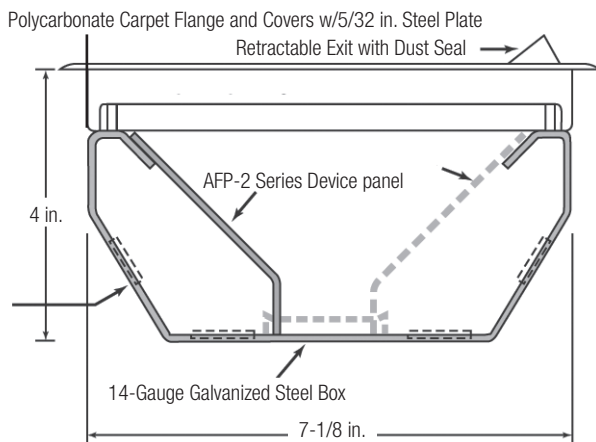
Access Floor Module Size	AFM-2
AFM Depth	4 in.
Access Floor Cut-Out	7-1/8 in. x 4-1/8 in.
AFM Cover Size	6-3/4 in. x 3-7/8 in.
AFM Cover Access Area	17 sq. in.
Box Volume (Less Panels)	75 cu. in.
Device Compartment Volume	45° 16.2 cu. in.
Power Panel Included	AFP-2A
Cover/Carpet Flange Material	Nylon-6
Body Material	14 gauge galvanized steel
Max. No. of Device Panels	2

Devices not included
Nylon carpet flange available in Black, Grey, Brown or Beige

	POWER PANELS		DATA PANELS		ACCESSORIES	
AFM-2-BLK AFM-2-GRY AFM-2-BRN AFM-2-BGE					AFT-2 Power tunnel	
	AFP-2A* Single duplex	AFP-2B Blank	AFD-2J 1 IBM set	AFD-2 3RJ Keystone style jacks	AFR-2** Mounting flange	

*(1) supplied with box

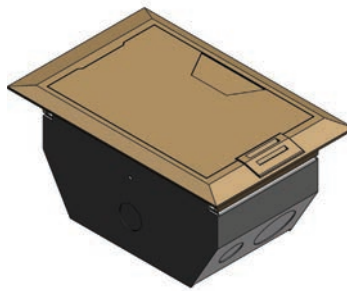
** Used to correct opening in floor. Not required for all installations



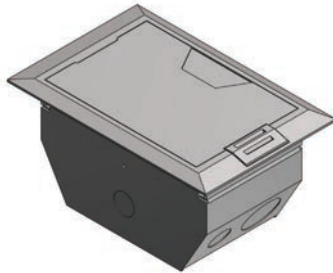
Shown with supplied power panel and optional panel (sold separately)

Access Floor Modules

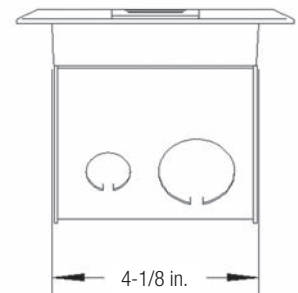
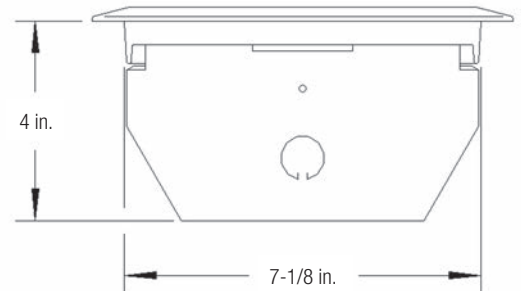
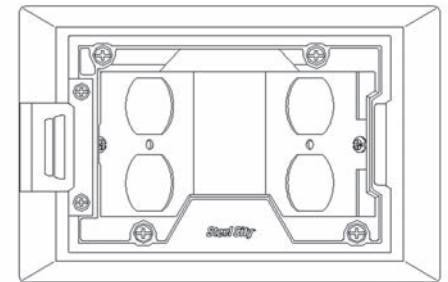
AFM-2 Series Access Floor Module – Metallic Covers



AFM-2-BRS



AFM-2-ALM



Specifications



Access Floor Module Size	AFM-2
AFM Depth	4 in.
Access Floor Cut-Out	7-1/8 in. x 4-1/8 in.
AFM Cover Size	6-3/4 in. x 3-7/8 in.
AFM Cover Access Area	17 sq. in.
Box Volume (Less Panels)	75 cu. in.
Device Compartment Volume	45° 16.2 cu. in.
Power Panel Included*	AFP-2A
Cover/Carpet Flange Material	Brass, Aluminum
Body Material	14 gauge galvanized steel
Max. No. of Device Panels	2

Prewiring available: Special panels available – consult your Regional Sales Office
 Replacement covers: See 664 Series covers on pages C49-C50

AFM-2 Series Raised Floor Boxes

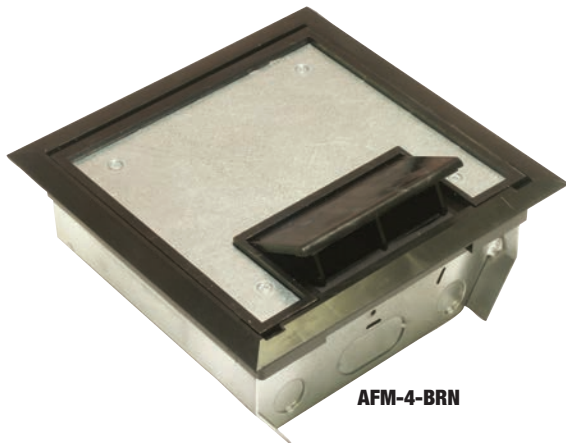


Cat. No.	Description	Std. Ctn.
AFM-2-BRS	AFM-2 Raised Floor Box, 2 Compartments, Solid Brass Cover	1
AFM-2-ALM	AFM-2 Raised Floor Box, 2 Compartments, Solid Aluminum Cover	

Access Floor Modules

AFM-4 Series Access Floor Module – Nonmetallic Covers

Specifications



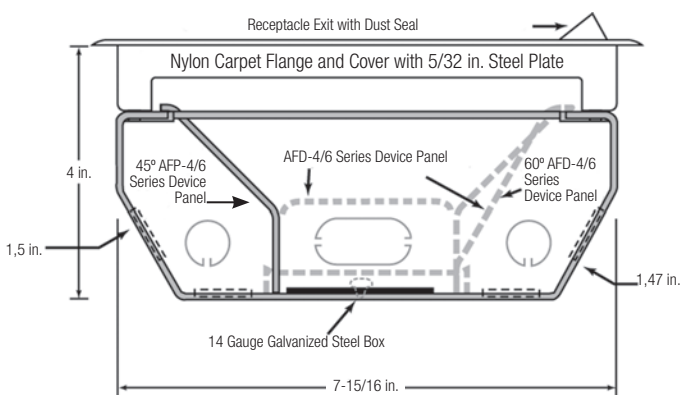
Access Floor Module Size	AFM-4
AFM Depth	4 in.
Access Floor Cut-Out	7-15/16 in. x 7-15/16 in.
AFM Cover Size	7-5/8 in. x 7-5/8 in.
AFM Cover Access Area	39 sq. in.
Box Volume (Less Panels)	150 cu. in.
Device	45° Power 27.3 cu. in. 60° Power 25.2 cu. in.
Compartment	Center Data 20.6 cu. in.
Volume	Power – Data –
Base Opening	2 in. x 2-7/8 in.
Power Panel Included	AFP-4A
Cover/Carpet Flange Material	Nylon-6
Body Material	14 gauge galvanized steel
Max. No. of Device Panels	3

Devices not included
Nylon carpet flange available in Black, Grey, Brown or Beige

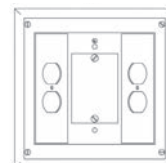
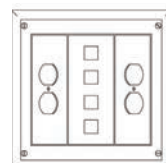
POWER PANELS			DATA PANELS		ACCESSORIES	
AFM-4-BLK GRY BRN BGE	AFP-4A* Single duplex-45°	AFP-4A60 Single duplex-60°	AFP-4-GFCI Single GFCI-60°	AFD-4A Single duplex data	AFD-4B Blank	AFT-46 Power tunnel
	AFP-4B Blank-45°	AFP-4B60 Blank-60°			AFD-4-4RJ Keystone style jacks	AFR-4** Mounting flange
						AFC-N Grommeted closure panel
						AFM-4EX Extension collar

*(1) supplied with box

** Used to correct opening in floor. Not required for all installations



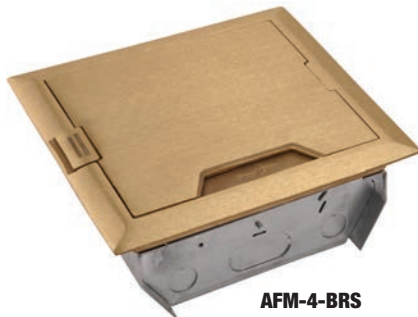
Shown with supplied power panel and optional data panel and 45° power panel (sold separately)



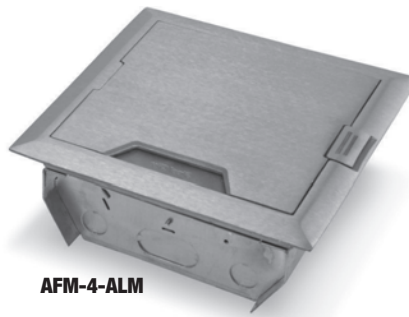
Shown with optional 60° power panels (sold separately)

Access Floor Modules

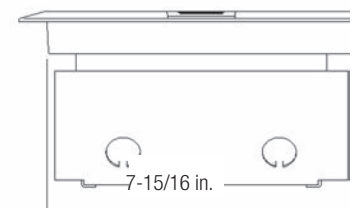
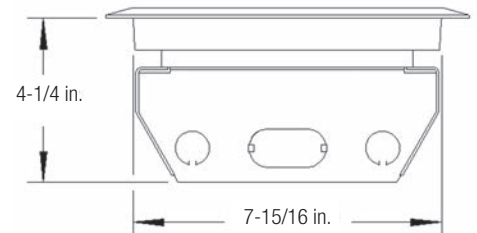
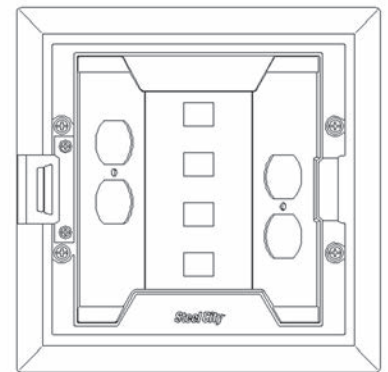
AFM-4 Series Access Floor Module – Metallic Covers



AFM-4-BRS



AFM-4-ALM



Specifications



Access Floor Module Size	AFM-4	
AFM Depth	4 in.	
Access Floor Cut-Out	7-15/16 in. x 7-15/16 in.	
AFM Cover Size	7-5/8 in. x 7-5/8 in.	
AFM Cover Access Area	39 sq. in.	
Box Volume (Less Panels)	150 cu. in.	
Device	45° Power 60° Power	27.3 cu. in. 25.2 cu. in.
Compartment	Center Data	20.6 cu. in.
Volume	Power Data	– –
Base Opening	2 in. x 2-7/8 in.	
Power Panel Included	AFP-4A	
Cover/Carpet Flange Material	Brass, Aluminum	
Body Material	14 gauge galvanized steel	
Max. No. of Device Panels	3	

Devices not included

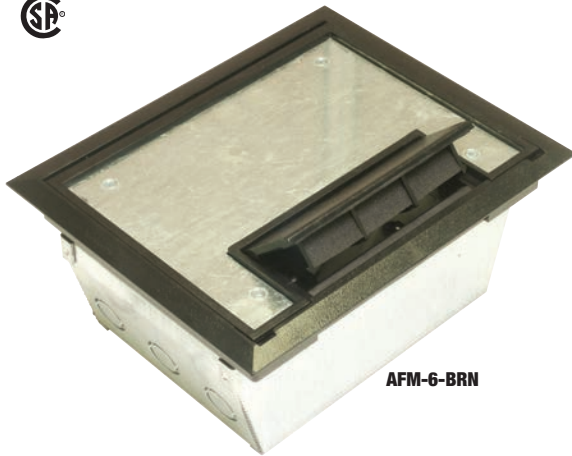
AFM-4 Series Raised Floor Boxes

Cat. No.	Description	Std. Ctn.
AFM-4-BRS	AFM-4 Raised Floor Box, 4 Compartments, Solid Brass Cover	1
AFM-4-BRS-R*	AFM-4 Raised Floor Box, 4 Compartments, Solid Brass Cover with Recess	
AFM-4-ALM	AFM-4 Raised Floor Box, 4 Compartments, Solid Aluminum Cover	
AFM-4-ALM-R*	AFM-4 Raised Floor Box, 4 Compartments, Solid Aluminum Cover with Recess	

*Not CSA Certified

Access Floor Modules

AFM-6 Series Access Floor Module







Specifications

Access Floor Module Size	AFM-6
AFM Depth	4 in.
Access Floor Cut-Out	7-15/16 in. x 10 in.
AFM Cover Size	7-5/8 in. x 9-3/4 in.
AFM Cover Access Area	60 sq. in.
Box Volume (Less Panels)	225 cu. in.
Device 45° Power	41.5 cu. in.
Compartment 60° Power	38.3 cu. in.
Volume Center Data	31.3 cu. in.
Base Opening	2 in. x 2-7/8 in.
Power Panel Included	AFP-6Q
Cover/Carpet Flange Material	Nylon-6
Body Material	14 gauge galvanized steel
Max. No. of Device Panels	3

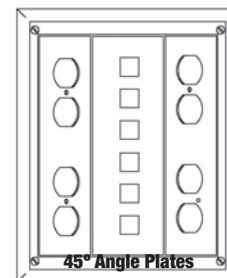
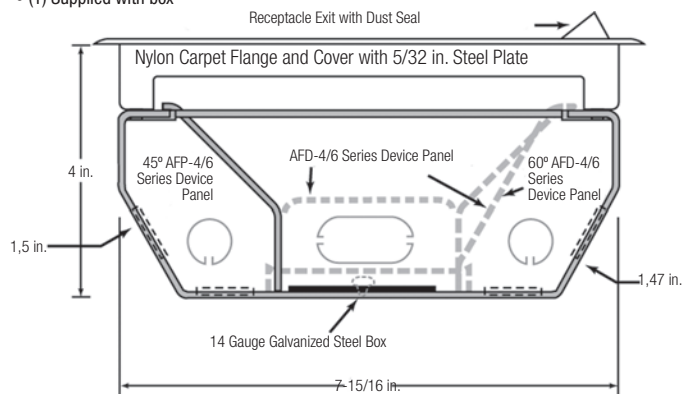
Devices not included. Nylon carpet flange available in Black, Grey, Brown or Beige

Access Floor Modules

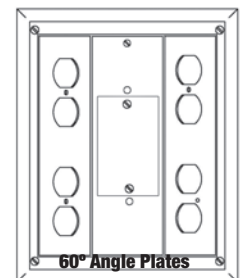
AFM-6 Series Access Floor Module

	POWER PANELS		DATA PANELS		ACCESSORIES	
AFM-6-BLK AFM-6-GRY AFM-6-BRN AFM-6-BGE	AFP-6Q* Double duplex-45°	AFP-6B Blank-45°	AFD-6Q Double duplex data	AFD-6M 2 Telephone - 4 coax	AFT-46 Power tunnel	
	AFP-6A Single duplex-45°	AFP-6B60 Blank-45°	AFD-6L* 2 IBM sets	AFD-6B* Blank	AFR-4** Mounting flange	
	AFP-6R60 Double duplex-60°	AFP-6-GFCI Double GFCI-60°	AFD-6K 2 Telephone	AFD-6 6RJ Keystone style jacks 6	AFC-N Grommeted closure panel	
	AFP-6A60* Single duplex-60°	AFP-6-GFCI-45* Double GFCI-45°		AFD-6A* Single duplex	AFM-6EX* Extension collar	

* Not CSA Certified ** Used to correct opening in floor. Not required for all installations
 • (1) Supplied with box



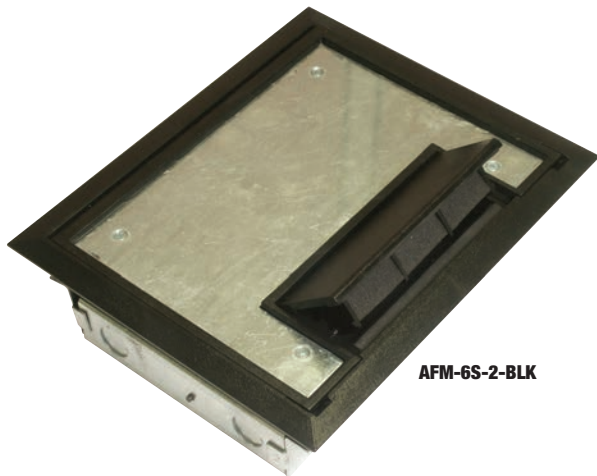
Shown with Supplied Power Panel and Optional Data Panel and 45° Power Panel (sold separately)



Shown with optional 60° Panels (sold separately)

Access Floor Modules

AFM-6S-2 Series Access Floor Module



Specifications



Access Floor Module Size		AFM-6S-2
AFM Depth		2-1/2 in.
Access Floor Cut-Out		7-15/16 in. x 10 in.
AFM Cover Size		7-5/8 in. x 9-3/4 in.
AFM Cover Access Area		60 sq. in.
Box Volume (Less Panels)		172 cu. in.
Device compartment volume	Power	13.1 cu. in.
	Data	6.6 cu. in.
Base opening		—
Power panels included**		AFP-6S2-L, AFP-6S2-R
Wire tunnel included		—
Cover/carpet flange material		Polycarbonate
Body material		14-gauge galvanized steel
Prewiring available		Yes*
Max. no. of device panels		4

*Special panels available — Contact your Regional Sales Office

**Devices not included

Available with black (-BLK), brown (-BRN), beige (-BGE) or grey (-GRY) cover flange

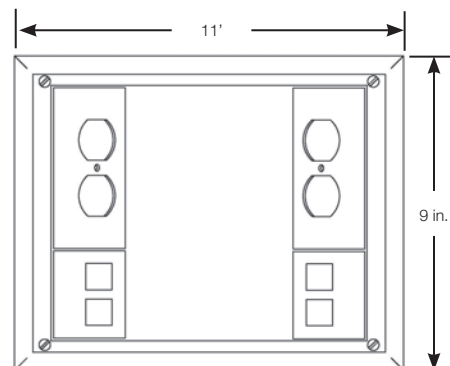
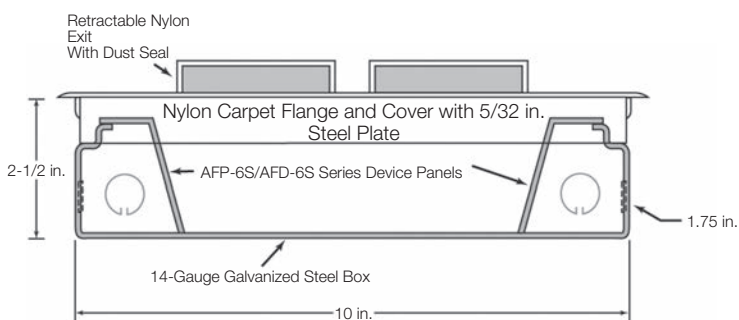
Replacement cover: AFM-6-CST-SW black (-BLK), brown (-BRN), beige (-BGE)

or grey (-GRY) cover flange



	POWER PANELS		DATA PANELS		ACCESSORIES
AFM-6S2-BLK AFM-6S2-GRY AFM-6S2-BRN AFM-6S2-BGE	AFP-6S2-R (L) Single duplex (R-right side; L-left side)		AFD-6S2-2RJ* Keystone style jacks		AFD-6S2-B* Blank
	AFP-6S2-GR (-GL) Single GFCI				
	AFP-6S2-BR (-BL)* Blank				
					AFR-6 Mounting flange Used to connect opening in floor. Not required for all installations

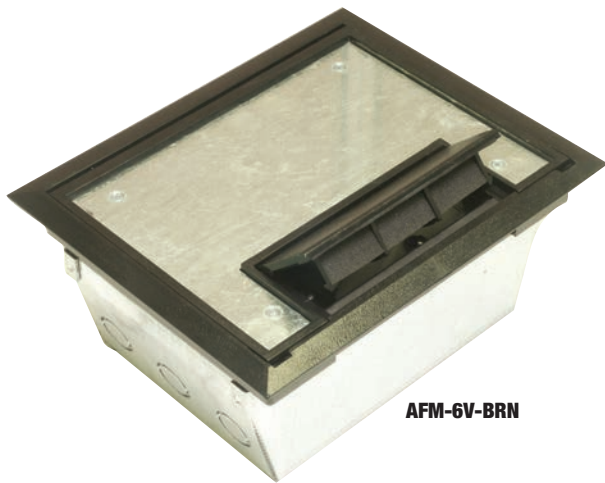
*Not CSA Certified



Shown with supplied power panels and optional panels (sold separately)

Access Floor Modules

AFM-6V Series Access Floor Module



AFM-6V-BRN

Specifications



Access Floor Module Size	AFM-6V
AFM Depth	4.70 in.
Access Floor Cut-Out	7-15/16 in. x 10 in.
AFM Cover Size	7-5/8 in. x 9-3/4 in.
AFM Cover Access Area	60 sq. in.
Box Volume (Less Panels)	201 cu. in.
Device	45° Power — 60° Power —
Compartment	Center Data —
Volume	Power 51 cu. in. Data 51 cu. in.
Base Opening	1.72 in. x 5.28 in.
Data Panel Included	AFD-6V-2F
Power Panel Included	AFP-6V-3D
Closure Panel Included	Yes
Cover/Carpet Flange Material	Nylon-6
Body Material	14 gauge galvanized steel
Max. No. of Device Panels	2

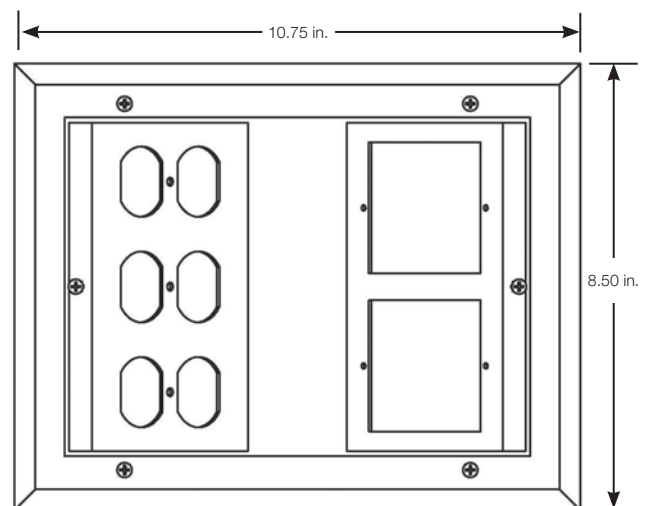
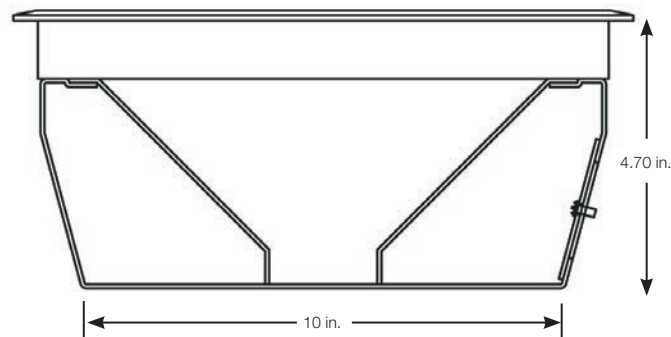
Devices not included. Nylon carpet flange available in Black, Grey, Brown or Beige



	POWER PANELS		DATA PANELS				ACCESSORIES	
AFM-6V-BLK AFM-6V-GRY AFM-6V-BRN AFM-6V-BGE	AFP-6V-R 3D** Three duplex		AFD-6V-2F** Two single gang data face plates		AFD-6V-B* Blank		AFR-6* Mounting flange	
	AFP-6V-3G* Three GFCI						Used to correct opening in floor. Not required for all installations.	

*Not CSA Certified

- (1) AFP-6V-3D and (1) AFD-6V-2F supplied with box



AFM-6V
Shown with supplied power panels and optional panels (sold separately)

Access Floor Modules

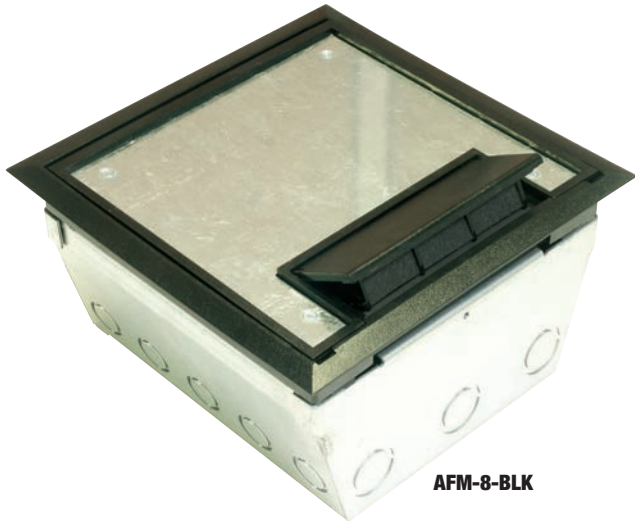
AFM-8 Series Access Floor Module

Specifications



Access Floor Module Size	AFM-8
AFM Depth	5-5/8 in.
Access Floor Cut-Out	9-5/8 in. x 9-5/8 in.
AFM Cover Size	9-3/8 in. x 9-3/8 in.
AFM Cover Access Area	74 sq. in.
Box Volume (Less Panels)	325 cu. in.
Device	45° Power — 60° Power —
Compartment	Center Data —
Volume	Power 15.75 cu. in. Data 15.75 cu. in.
Base Opening	—
Cover/Carpet Flange Material	Nylon-6
Body Material	14 gauge galvanized steel
Max. No. of Device Panels	10

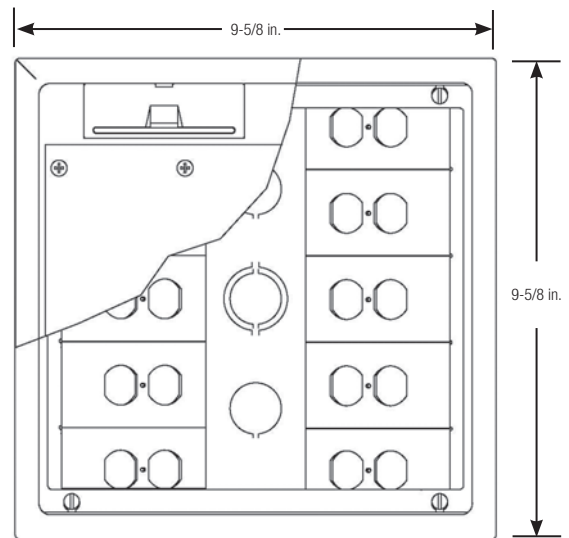
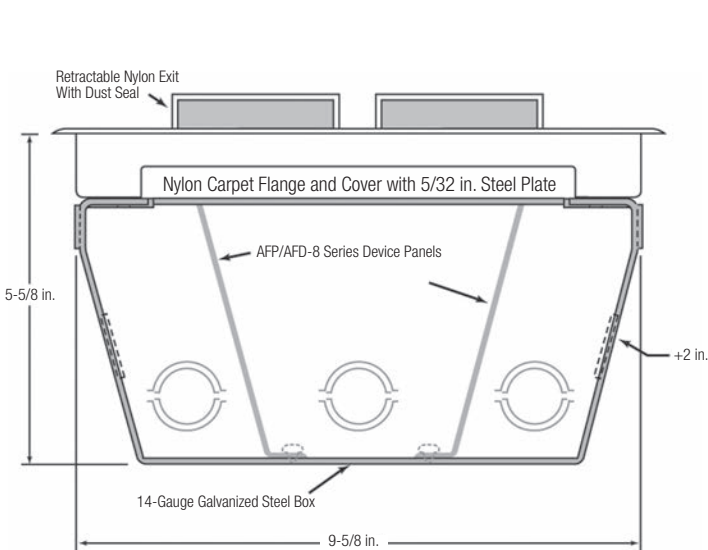
Devices not included
Nylon carpet flange available in Black, Grey, Brown or Beige



AFM-8-BLK

	POWER PANELS				DATA PANELS		ACCESSORIES		
AFM-8-BLK GRY BRN BGE	AFP-8A* Single duplex		AFP-8G* Single GFCI		AFP-8B Blank		AFD-8 3RJ Keystone		AFR-8 Mounting flange
									Used to correct opening in floor. Not required for all installations

*Not CSA Certified

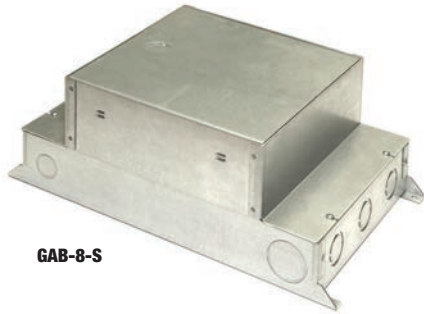


AFM-8

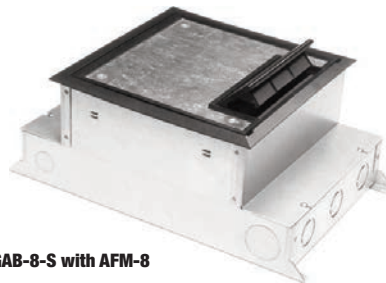
Shown with optional panels (sold separately)

Access Floor Modules

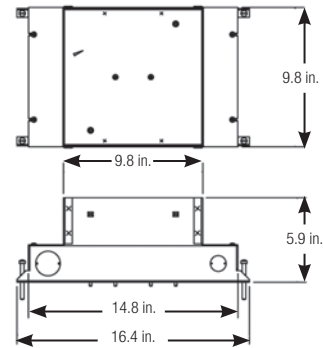
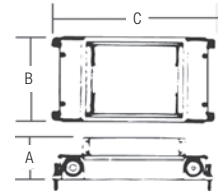
Concrete Inserts



GAB-8-S



GAB-8-S with AFM-8



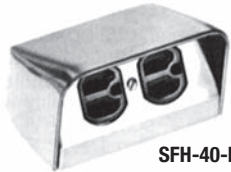
Cat. No.	Dimensions (in.)			Maximum Capacity (cu. in.)	Standard Conduit Tapping	Maximum Conduit Tapping	AFM Insert	Std. Ctn.
	A	B	C					
GAB-8-S	5-7/8	9-3/4	16-3/8	325	2-3/4 in. 2-1-1/4 in.	—	AFM-8	1

Base presets required to installation in concrete pours only. For use with the AFM insert.
The GAB cast Pre-Set includes center collar and styrene insert to prevent concrete ingress. Standard conduit hubs are 3/4 in. and 1-1/4 in.

Above-Floor Service Fittings

Service Fittings

Steel City® Service Fittings Provide Above-Floor Service for Power, Communications and Data



SFH-40-RG



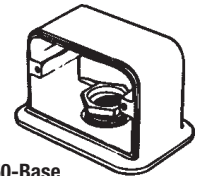
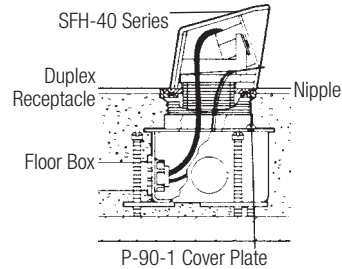
SFH-50-2RG

SFH-40 Series

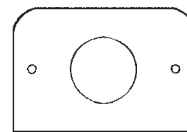
- Brushed-aluminum finish
- Low-profile design
- Furnished with 1 in. conduit nipple

SFH-50 Series

- Brushed-aluminum finish
- Interchangeable face plates
- Furnished with 1 in. conduit nipple for direct screw-threading into a floor box plate with 1 in. cover opening

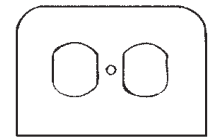


SFH-50-Base



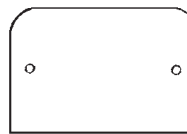
SFH-51-Cover

Single Receptacle Plate, 2.16 in. Hole



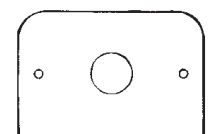
SFH-50-DUPCOV

Duplex Receptacle Plate



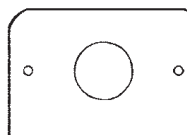
SFH-50-BLCOV

Blank Plate



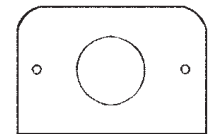
SFH-50-TELECOV

Telephone Plate, 1 in. Hole



SFH-50-CVW11332

Single Receptacle Plate, 2.16 in. Hole



SFH-50-CVW11932

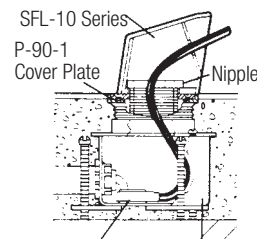
Single Receptacle Plate, 1.60 in. Hole

Cat. No.	Description	Dimensions (in.)			Std. Ctn.
		W	D	H	
SFH-40-RG	Furnished with One 15A 125 Volt, 3-Wire NEMA Duplex Receptacle	4-3/8	3	2-5/8	4
SFH-40	Same as SFH-40-RG Above, Less Duplex Receptacle				
SFH-50-2RG	Furnished with Two Back-to-Back 15A, 125 Volt, 3-Wire NEMA Duplex Receptacles	5	3-3/8	3	
SFH-50	Same as SFH-50-2RG, Less Duplex Receptacle				
SFH-51	Furnished with Cover Plate to Accommodate One 30 or 50A, 240 Volt, 3-Wire Receptacle and Blank Cover				



Service Fittings for Communications and Data

- Brushed-aluminum finish
- Interchangeable face plates
- Furnished with 1 in. conduit nipple for direct screw-threading into a floor box plate with 1 in. cover opening



SFL-10

Cat. No.	Description	Dimensions (in.)			Std. Ctn.
		W	D	H	
SFL-10	3/4 in. x 1-1/8 in. Brushed Opening for Telephone or Computer	4-3/8	3-1/8	2-5/8	4

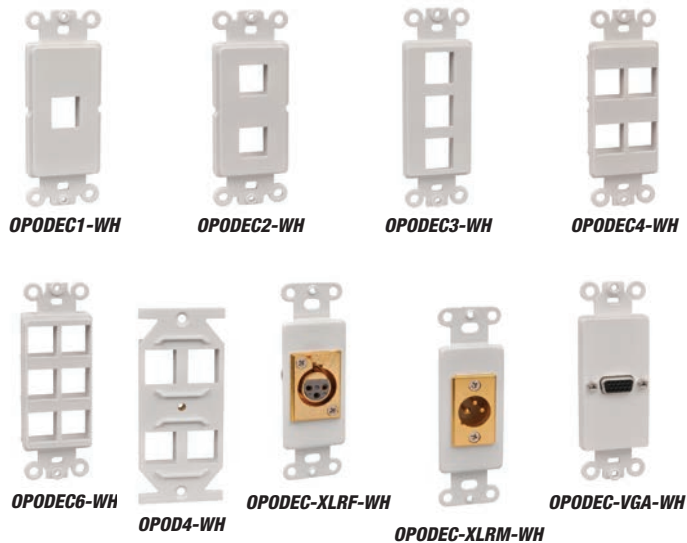


Communications Connector 68 Series Floor Box

Recessed Service Floor Fittings

Communications Accessories

Decora/Duplex Adapters for Use with Standard Floor Box Device Plates



Keystone Inserts for Data, Voice and Audio Visual Applications



Cat. No.	Description	Std. Ctn.
OPODEC1-WH	GFCI Device Plate, 1-Port, Keystone, White	5
OPODEC2-WH	GFCI Device Plate, 2-Port, Keystone, White	
OPODEC3-WH	GFCI Device Plate, 3-Port, Keystone, White	
OPODEC4-WH	GFCI Device Plate, 4-Port, Keystone, White	
OPODEC6-WH	GFCI Device Plate, 6-Port, Keystone, White	
OPOD4-WH	4-Port, Keystone, White	10
OPODEC1-XLRF-WH	Female XLR Microphone Jack, Solder Leads, White	5
OPODEC-XLRM-WH	Male XLR Microphone Jack, Solder Leads, White	
OPODEC-VGA-WH	VGA Connector, Female-to-Female, White	

CSA not applicable

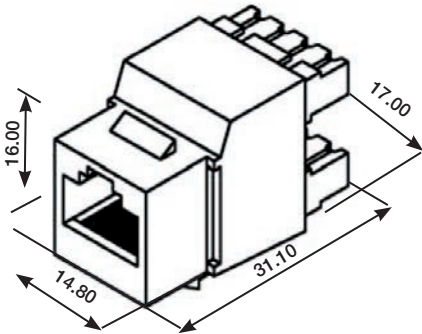
Cat. No.	Description	Std. Ctn.
OPJDU5EL-WH	Cat-5e Data Jack, White	
OPJDU6L-WH	Cat-6e Data Jack, White	
OPJV6CL-WH	Phone Jack, 6-Conductor, White	
OPA35-WH	3.5 mm Stereo Connector, Recessed, Female-to-Female, White	5
OPARCAW	RCA Connector – White, Recessed, Female-to-Female	
OPARCAR	RCA Connector – Red, Recessed, Female-to-Female	
OPARCAY	RCA Connector – Yellow, Recessed, Female-to-Female	
OPAFR	F-Connector – Recessed, 1 GHz, Female-to-Female, Red	
OPAS-WH	S-Video Connector, 4-Pin, recessed, Female-to-Female, White	100
OPAHDMI-WH	HDMI Connector, Recessed, Female-to-Female, White	
OPAB-WH	Blank Insert, White	

*SPECIAL INSTALLATION NOTE: When using these AV connectors with OPODEC4-WH & OPODEC6-WH Decora Adapters, only a Blank Insert (OPAB-WH) can be used in the same horizontal row. Trim the ears off the Blank Insert and install prior to installing the AV connector in the row.

Keystone / Data Accessories

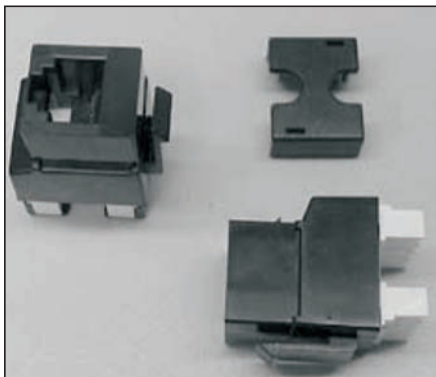
Keystone Category 5e Jacks

- Universal «Keystone» mounting configuration
- Labeled for both 568A and 568B wiring
- Versatile IDC design accommodates 110 or Krone punchdown tools
- Accepts universal «Keystone» jacks and adapters for maximum flexibility
- Accepts category 6e Jacks



Cat. No.	Description	Colour
OPJNUD	Cat 5e Slim-Line UTP Jack, 568A/568B Wiring, Dual 110/Krone IDC	Black
OPJNUD-IV	Cat 5e Slim-Line UTP Jack, 568A/568B Wiring, Dual 110/Krone IDC	Ivory
OPJNUDBL	Cat 5e Slim-Line UTP Jack, 568A/568B Wiring, Dual 110/Krone IDC	Blue
OPJNUDOW	Cat 5e Slim-Line UTP Jack, 568A/568B Wiring, Dual 110/Krone IDC	Off White
OPJNUDWH	Cat 5e Slim-Line UTP Jack, 568A/568B Wiring, Dual 110/Krone IDC	White

Keystone RJ11 Voice Jacks



Cat. No.	Description	Colour
OPJ6CVBK	6 Wire RJ11/RJ12 Voice Jack	Black
OPJ6CVIV	6 Wire RJ11/RJ12 Voice Jack	Ivory
OPJ6CVOW	6 Wire RJ11/RJ12 Voice Jack	Off White
OPJ6CVWH	6 Wire RJ11/RJ12 Voice Jack	White

Replacement Parts and Accessories

68, 600, 640, 740 and 840 Series – 1-, 2-, 3-Gang

Floor Plate Plug Inserts



Cat. No.	Description	Std. Ctn.
690-SC	1/2 in. – 14 in. N.P.S. Thread	4
691-SC	3/4 in. – 14 in. N.P.S. Thread	
692-SC	1 in. – 11-1/2 in. N.P.S. Thread	
693-SC	1-1/4 in. – 11-1/2 in. N.P.S. Thread	
694	2 in. – 20 in. UN Thread	
695	1/2 in. – 2 in.	
696-SC	3/4 in. – 2 in.	
697*	2-5/8 in. – 20 UN 2A Thread	
698*	1-7/16 in. for Duplex P-60-DU	

*CSA not applicable
 Catalogue numbers are for brass.
 For aluminum, add AL after catalogue number.

Gaskets for Floor Plate Assemblies



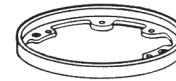
Cat. No.	Description	Std. Ctn.
630-SC	P-60 Series Floor Plate Assemblies	4
631	(except duplex) P-60-DR, P-60-DU, P-60-DS-AL Floor Plate Assemblies	
SP-P60-DS-P3	P-60-DS Floor Plate Assemblies	1

Seating Plates for Receptacles — Steel



Cat. No.	Description	Std. Ctn.
SP-620-MA	P-60-2, P-60-1/2-2, P-60-3/4-2 Floor Plate Assemblies	1
SP-621	P-60-DR, P-60-DU, P-60-DC-AL and P-60-DS Floor Plate Assemblies	

Tile Trims



Cat. No.	Finish	Std. Ctn.
600-4-FL-AL	Aluminum	1
600-4-FL	Brass	

Gaskets for Floor Plates Assemblies



Cat. No.	Description	Std. Ctn.
SP650*	P-64 Series Floor Plate Assemblies	4
SP651*	P-64-DU Floor Plate Assemblies	10
SP-P64-DS-P2	P-64-DS Floor Plate Assemblies	4

*CSA not applicable

Seating Plates for Receptacles — Steel

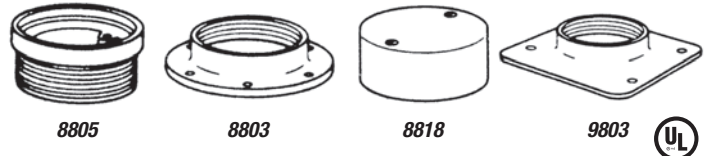
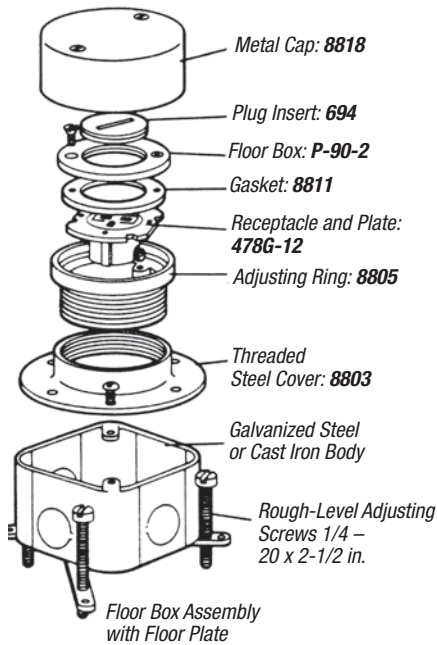


Cat. No.	Description	Std. Ctn.
640*	P-64-2, P-64-1/2-2, P-64-3/4-2 Floor Plate Assemblies	4
639*	P-64-2-5/8 Floor Assemblies	10
638*	P-64-DS and P-64-DU Floor Plate Assemblies	1

*CSA not applicable

Replacement Parts and Accessories

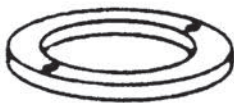
For 70, 88 and 98, 671 or 672 Series



Cat. No.	Description	Std. Ctn.
8805	Brass Adjusting Ring	4
8803	Threaded Steel Body Cover for 78 and 88 Series	
8818	Metal Protective Cap	
9803	Threaded Steel Body Cover for 98 Series	

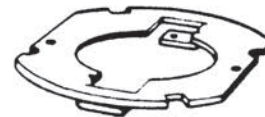
CSA not applicable
2-5/8 in. – 20 in. UN 2A Thread

Gasket for Floor Plate Assembly



Cat. No.	For use with	Std. Ctn.
8811	P90 Series Floor Plates	4

Plate for Short Strap Receptacle



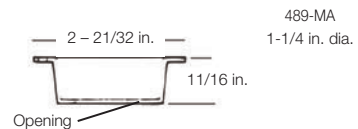
Cat. No.	For use with	Std. Ctn.
889	Series 78, 88, 98, 671, 672 Boxes	4

Extension Collar



Cat. No.	Description	Std. Ctn.
8805-E	Provides an Extension of Floor Box Throat Upward 1-1/8 in., for Extreme Depths (7 cu. in.) 2-5/8 – 20 UN 2A Thread	4

Microphone Adapter for Floor Boxes



Cat. No.	Description	Std. Ctn.
489-MA	27-gauge Galvanized Steel with 1-1/4 in. dia. Opening for Standard Microphone Jacks: for Steel City® Floor Box Series 78, 88, 98 and 671	4

CSA not applicable

Floor Box Selection Chart

Cat. No.	Service Capabilities			Floor Box Body Material			Minimum Depth of Pour							Adjustability		
	Receptacles		Multiple Service Capabilities	Cast Iron	Stamped Steel	Non-metallic	2 in.	2-1/2 in.	3 in.	3-1/2 in.	4 in.	4-1/2 in.	Wood Floor	Fully-	Semi-	Non-
	Single	Duplex														
SFH-40 SERIES	•	•														•
SFH-50 SERIES	•	•														•
SFL-10 SERIES																•
600	•	•	•													
601	•	•	•													
602	•	•	•													
603	•	•	•													
604	•	•		•												
61 W		•	•		•											
62 W			•		•											
641	•	•	•		•											
641P	•	•	•		•											
642	•	•	•		•											
642P	•	•	•		•											
643	•	•	•		•											
643P	•	•	•		•											
644	•	•	•		•											
663-SC		•			•											
664-CI		•	•		•											
664-S		•			•											
664-SC		•	•		•											
665		•	•		•											
665-CI		•	•		•											
667-SC		•	•		•											
668-S		•	•		•											
671 SC	•				•											
672	•				•											
68-D	•	•	•		•											
68-P	•	•			•											
68-S	•	•	•		•											
71W		•	•		•											
78 S	•				•											
78-SC	•				•											
841-SC	•	•	•		•											
842-SC	•	•	•		•											
843-SC	•	•	•		•											
88 D	•				•											
88 S	•				•											
GAB-8-S	•	•	•		•							6 in.				

Floor Box Selection Chart

Cat. No.	Description	Cover Plates	Carpet Activations			Title Activation		
			Brass	Aluminum	Nonmetallic	Brass	Aluminum	Nonmetallic
663-SC	Concealed Service – Steel	P60 Series	P60-CP	P60-CPL	P62-CP	P62-TAR	SP-P62-TAR-A	N/A
664-SC	Concealed Service – Steel	664-CST-Series	N/A	N/A	664-CST-Series	N/A	N/A	N/A
664-S	Shallow Concealed Service – Steel	664-CST-Series	N/A	N/A	664-CST-Series	N/A	N/A	N/A
664-CI	Flush Service – Steel	664-CST-Series	N/A	N/A	664-CST-Series	N/A	N/A	N/A
68-S	Flush Service – Steel	P60 Series	P60-CP P60-CACP	P60-CPAL P60-CACPAL	P60-LCP	*	**	–
68-D	Flush Service – Steel	P60 Series	P60-CP P60-CACP	P60-CPAL P60-CACPAL	P60-LCP	*	**	–
68-P	Flush Service – Nonmetallic	P60 Series	P60-CP P60-CACP	P60-CPAL P60-CACPAL	P68-SRC Colour P68-DRC Colour P68-ECC Colour	68-PAR-W/ 600-4-FL	68-PAR-W/ 600-4-FL-AL	–
600-SC SERIES	Flush Service – Cast Iron	P60 Series	P60-CP P60-CACP	P60-CPAL P60-CACPAL	N/A	*	**	–
601-SC SERIES	Flush Service – Cast Iron	P60 Series	P60-CP P60-CACP	P60-CPAL P60-CACPAL	N/A	*	**	–
602-SC SERIES	Flush Service – Cast Iron	P60 Series	P60-CP P60-CACP	P60-CPAL P60-CACPAL	N/A	*	**	–
603-SC SERIES	Flush Service – Cast Iron	P60 Series	P60-CP P60-CACP	P60-CPAL P60-CACPAL	N/A	*	**	–
604-SC SERIES	Flush Service – Cast Iron	P60 Series	P60-CP P60-CACP	P60-CPAL P60-CACPAL	N/A	*	**	–
641	Flush Service – Cast Iron	P64 Series	P64-CP	P64-CPAL	P64-CP Series P-64-LCP	*	**	N/A
641P	Flush Service – Nonmetallic	P64 Series	641P-CACB	641P-CACA	641P-CAC Series	641P-TACB	641P-TACA	641P-TAC Series
642	Flush Service – Cast Iron	P64P Series	P64-2GCP	P64-2GPAL	P64-2GCP Series P64-2LCP	*	**	N/A
642P	Flush Service – Nonmetallic	P64 Series	642P-CACB	642P-CACA	642P-CAC Series	642P-TACB	642P-TACA	642P-TAC Series
643	Flush Service – Cast Iron	P64 Series	P64-3GCP	P64-3GCPAL	P64P-3GCP Series P64-3LCP	*	**	N/A
643P	Flush Service – Nonmetallic	P64 Series P64P Series	643P-CACB	643P-CACA	643P-CAC Series	643P-TACB	643P-TACA	643P-TAC Series
644	Flush Service – Cast Iron	P64 Series	P64-4GCP	P64-4GCPAL	N/A	*	**	N/A
841-SC	Shallow Flush Service – Cast Iron	P64 Series	P64-CP	P64-CPAL	P64P-CP Series P64-LCP	*	**	N/A
842-SC	Shallow Flush Service – Cast Iron	P64 Series	P64-2GCP	P64-2GCPAL	P64P-2GCP Series P64-2LCP	*	**	–
843-SC	Shallow Flush Service – Cast Iron	P64 Series	P64-3GCP	P64-3GCPAL	P64P-3GCP Series P64-3LCP	*	**	N/A
78-SC	Flush Service – Cast Iron	P90 Series	P90-CP	P90-CPAL	N/A	*	**	N/A
78 S	Flush Service – Cast Iron	P90 Series	P90-CP	P90-CPAL	N/A	*	**	N/A
671 SC	Flush Service – Cast Iron	P67 Series	P90-CP	P90-CPAL	N/A	–	–	N/A
672	Flush Service – Cast Iron	P67 Series	P90-CP	P90-CPAL	N/A	*	**	N/A
88D	Flush Service – Steel	P90 Series	P90-CP	P90-CPAL	N/A	*	**	N/A
88DA	Flush Service – Steel	P90 Series	P90-CP	P90-CPAL	N/A	*	**	N/A
88 S	Flush Service – Steel	P90 Series	P90-CP	P90-CPAL	N/A	*	**	N/A
98	Flush Service	P90 Series	P90-CP	P90-CPAL	N/A	*	**	N/A
665-SC	Concealed Service	665-CST Series	N/A	N/A	665-CST Series	–	–	–
667	Concealed Service	665-CST Series	N/A	N/A	665-CST Series	–	–	–
61W	Flush Service – Steel	P64 Series	P64-CP	P64-CPAL	P64-CP Series	N/A	N/A	N/A
62W	Flush Service – Steel	P64 Series	P64-2GCP	P64-2GCPAL	P64-2GCP Series	N/A	N/A	N/A

* Supplied standard with box

** Supplied standard with -AL suffix box

Floor Box Cover Selection Chart

Cover Series	Cat. No.	Description	Std. Finish
P60 4 in. Dia.	P-60-1/2	1/2 in. N.P.S. Plug	Brushed Brass
	P-60-1/2-AL		Brushed Aluminum
	P-60-3/4	3/4 in. N.P.S. Plug	Brushed Brass
	P-60-3/4-AL		Brushed Aluminum
	P-60-1	1 in. N.P.S. Plug	Brushed Brass
	P-60-1-AL		Brushed Aluminum
	P-60-1-1/4	1-1/4 in. N.P.S. Plug	Brushed Brass
	P-60-1-1/4-AL		Brushed Aluminum
	P-60-2	2 in. Dia. Plug	Brushed Brass
	P-60-2-AL		Brushed Aluminum
	P-60-2-5/8	2-5/8 in. Dia. Plug	Brushed Brass
	P-60-2-5/8-AL		Brushed Aluminum
	P-60-1/2-2	1/2 in. N.P.S. & 2 in. Dia. Plugs	Brushed Brass
	P-60-1/2-2-AL		Brushed Aluminum
	P-60-3/4-2	3/4 in. N.P.S. & 2 in. Dia. Plugs	Brushed Brass
	P-60-3/4-2-AL		Brushed Aluminum
	P-60-DU	Two 1-7/16 in. Dia. Plugs	Brushed Brass
	P-60-DU-AL		Brushed Aluminum
	P-60-DS	Two Hinged Lift Lids	Brushed Brass
	P-60-DS-AL		Brushed Aluminum
P-60-DR	Single Hinged Lift Lid	Brushed Brass	
P-60-GFCI	GFCI Hinged Lift Lid	Brushed Brass	
P60-CACP One-Piece 5-3/4 in. Dia.	P-60-CACP	One-Piece Carpet Plate with Two Hinged Lift Lids for Duplex	Brushed Brass
	P-60-CACP-AL		Brushed Aluminum
	P-60-3/4-2-CACP		Brushed Brass
	P-60-3/4-2-CACP	One-Piece Carpet Plate with 3-9/32 in. 3/4 in. N.P.S. and 2 in. Dia. Plugs	Brushed Brass
	P-60-3/4-2-CACP-AL	One-Piece Carpet Plate with 3/4 in. and 2 in. N.P.S. Plugs	-
	P-67-1/2	1/2 in. N.P.S. Plug	Brushed Brass
	P-67-3/4	3/4 in. N.P.S. Plug	Brushed Brass
P-67-3/4-AL	Brushed Aluminum		
P67 3-1/2 in. Dia.	P-67-1	1 in. N.P.S. Plug	Brushed Brass
	P-67-1-AL		Brushed Aluminum
	P-67-1-1/4-AL	1-1/4 in. N.P.S. Plug	Brushed Brass
	P-67-2	2 in. Dia. Plug	Brushed Brass
	P-67-2-AL		Brushed Aluminum
	P-67-1-1/2-2	1/2 in. N.P.S. & 2 in. Dia. Plugs	Brushed Brass
	P-67-3/4-2	3/4 in. N.P.S. & 2 in. Dia. Plugs	Brushed Brass

Cover Series	Cat. No.	Description	Std. Finish
P64 3 in. x 4-1/2 in. Rectangular	P-64-1/2	1/2 in. N.P.S. Plug	Polished Brass
	P-64-1/2-AL		Brushed Aluminum
	P-64-3/4	3/4 in. N.P.S. Plug	Polished Brass
	P-64-3/4-AL		Brushed Aluminum
	P-64-1	1 in. N.P.S. Plug	Polished Brass
	P-64-1-AL		Brushed Aluminum
	P-64-1-1/4	1-1/4 in. N.P.S. Plug	Polished Brass
	P-64-1-1/4-AL		Brushed Aluminum
	P-64-2	2 in. Dia. Plug	Polished Brass
	P-64-2-AL		Brushed Aluminum
	P-64-1/2-2	1/2 in. N.P.S. & 2 in. Dia. Plugs	Polished Brass
	P-64-1/2-2-AL		Brushed Aluminum
	P-64-3/4-2	3/4 in. N.P.S. & 2 in. Dia. Plugs	Polished Brass
	P-64-3/4-2-AL		Brushed Aluminum
	P-64-2-5/8	2-5/8 in. Dia. Plug	Polished Brass
	P-64-2-5/8-AL		Brushed Aluminum
	P-64-DU	Two 1-7/16 in. Dia. Plugs	Polished Brass
	P-64-DU-AL		Brushed Aluminum
	P-64-DS	Two Hinged Lift Lids	Polished Brass
	P64P	P-64-GFCI	GFCI Hinged Lift Lid
P-64P-BP		Blank Plate	Nonmetallic
P-64P-URC		Universal cover	Nonmetallic
P90 2-3/4 in. Dia.	P-90-1/2	1/2 in. N.P.S. Plug	Polished Brass
	P-90-1/2-AL		Brushed Aluminum
	P-90-3/4	3/4 in. N.P.S. Plug	Polished Brass
	P-90-3/4-AL		Brushed Aluminum
	P-90-1	1 in. N.P.S. Plug	Polished Brass
	P-90-1-AL		Brushed Aluminum
	P-90-1-1/4	1-1/4 in. N.P.S. Plug	Polished Brass
	P-90-1-1/4-AL		Brushed Aluminum
	P-90-2	2 in. Dia. Plug	Polished Brass
	P-90-2-AL		Brushed Aluminum
	P-90-1/2-2	1/2 in. N.P.S. & 2 in. Dia. Plugs	Polished Brass
	P-90-1/2-2-AL		Brushed Aluminum
P-90-3/4-2	3/4 in. N.P.S. & 2 in. Dia. Plugs	Polished Brass	
P-90-3/4-2-AL		Brushed Aluminum	
P68 6 in. Dia.	P-68-SRC-GRY	Carpet and Cover Plate for Single Receptacle	Nonmetallic Grey
	P-68-SRC-BRN		Nonmetallic Brown
	P-68-SRC-BGE		Nonmetallic Beige
	P-68-FSC-GRY	Carpet and Cover Plate with 1 in. N.P.S. Plug	Nonmetallic Grey
	P-68-FSC-BRN		Nonmetallic Brown
	P-68-FSC-BGE		Nonmetallic Beige
	P-68-DRC-GRY	Carpet and Cover Plate for Duplex Receptacle	Nonmetallic Grey
	P-68-DRC-BRN		Nonmetallic Brown
	P-68-DRC-BGE		Nonmetallic Beige