



## POWER DISTRIBUTION

### Side-Stacker™ ONE-POLE MODULES

Modular System of Splicers, Reducers, and Splitters

Versatile one-pole modules stand alone or stack into multi-pole sets  
 Compact modules fit where others are too large - no wide flanges  
 Tough, high-impact, high-dielectric fiberglass insulation cases  
 For use in trough, wireway, panels, control systems



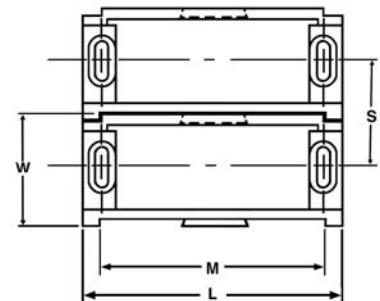
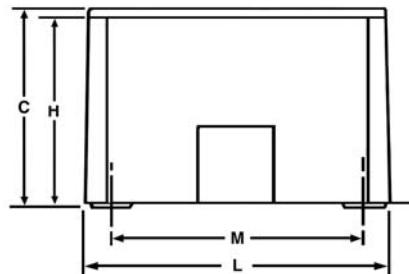
**Dual-Rated**  
 CU9AL  
 600VAC  
 90°C

### SPD SERIES

#### Single Primary

NAED NUMBER	CATALOG NUMBER	CASE SIZE	LINE SIDE		LOAD SIDE		AMPS PER POLE	CTN QTY
			PORTS	WIRE RANGE	PORTS	WIRE RANGE		
82201	SPD-I1-I1	S		#2-14		#2-14	115	6 or 24
82301	SPD-K1-K1	S		#2/0-14		#2/0-14	175	6 or 24
82401	SPD-N1-N1	M		250-6		250-6	225	3 or 6
82551	SPD-P1-P1	M		350-6		350-6	310	3 or 6
82601	SPD-R1-R1	M		500-4		500-4	380	3 or 6
82304	SPD-K1-H4	S		#2/0-14		#4-14	175	6 or 24
82306	SPD-K1-H6	S		#2/0-14		#4-14	175	6 or 24
82506	SPD-P1-H6	M		350-6		#4-14	310	3 or 6
82412	SPD-P1-H12	M		350-6		#4-14	310	3 or 6
82602	SPD-R1-H12	M		500-4		#4-14	380	3 or 6
82605	SPD-P1-K6	L		350-6		#2/0-14	310	2
82606	SPD-R1-K6	L		500-4		#2/0-14	380	2
82806	SPD-V1-K6	L		1000-250		#2/0-14	545	2
82604	SPD-R1-M4	L		500-4		#4/0-6	380	2

CASE SIZE	CASE DIMENSIONS				MOUNTING PATTERN		
	L	W	H	C	M	S	BOLT
S	2.9	1.04	2.34	2.46	2.25	.93	3/16
M	4.0	1.71	2.62	2.73	3.31	1.59	3/16
L	5.5	2.90	3.25	3.36	4.72	2.77	1/4





## POWER DISTRIBUTION

### Side-Stacker™ ONE-POLE MODULES

#### Modular System of Splicers, Reducers, and Splitters

Versatile one-pole modules stand alone or stack into multi-pole sets  
 Compact modules fit where others are too large - no wide flanges  
 Tough, high-impact, high-dielectric fiberglass insulation cases  
 For use in trough, wireway, panels, control systems



**Dual-Rated**  
 CU9AL  
 600VAC  
 90°C

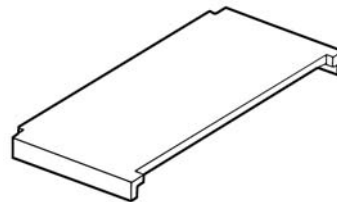
### SPD SERIES

### Dual Primary

NAED NUMBER	CATALOG NUMBER	CASE SIZE	LINE SIDE		LOAD SIDE		AMPS PER POLE	CTN QTY
			PORTS	WIRE RANGE	PORTS	WIRE RANGE		
82322	SPD-K2-K2	S		#2/0-14		#2/0-14	350	6 or 24
82522	SPD-P2-P2	L		350-6		350-6	620	2
82622	SPD-R2-R2	L		500-4		500-4	760	2
82526	SPD-K2-H6	S		#2/0-14		#4-14	350	6 or 24
82316	SPD-K2-I6	M		#2/0-14		#2-14	350	3 or 6
82312	SPD-K2-H12	M		#2/0-14		#4-14	350	3 or 6
82512	SPD-P2-H12	L		350-6		#4-14	620	2
82612	SPD-R2-H12	L		500-4		#4-14	760	2
82516	SPD-P2-K6	L		350-6		#2/0-14	620	2
82626	SPD-R2-K6	L		500-4		#2/0-14	760	2
82614	SPD-R2-M4	L		500-4		#4/0-6	760	2

### COVERS

Snap-on covers mean quick installation and removal  
 Clear, high-temperature polycarbonate polymer



### SPD-C SERIES

82991	SPD-CS	S except SPD-K2-K2, SPD-K2-H6, SPD-K1-H6	6
82994	SPD-CSK2	S for SPD-K2-K2 w/ Max. #1 AWG in upper wireports, includes nylon screw	6
82995	SPD-CSH6	S for SPD-K2-H6 w/ Max. #1 AWG in upper wireports, includes nylon screw	6
82992	SPD-CM	M	6
82993	SPD-CL	L	4



## NEUTRAL BARS

### MULTI-CIRCUIT NEUTRAL BARS

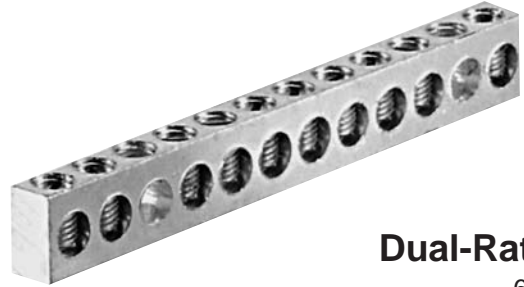
For use as neutral bar or grounding bar

Easy to install, reuseable

Feedwire can be located in any wire-position

Standard screws are plated steel, slotted, headless

Mounting holes provided in specified locations



**Dual-Rated**  
600V

### ALUMINUM NEUTRAL BARS

Solid-bar high-strength 6061-T6 aluminum alloy

Plated for excellent surface conductivity

#### ANB SERIES

NAED NUMBER	CATALOG NUMBER	WIRE RANGE	CIRCUITS	DIMENSIONS			MOUNTING HOLES		CTN QTY
				L	W	H	NO.	POSITION	
26101	ANB4-2-1	4-14AWG	2	.95			1	2	100
26102	ANB4-4-1	4-14AWG	4	1.57	.31	.44	1	3	100
26103	ANB4-4-3	4-14AWG	4	1.88			2	1 & 4	100
26104	ANB4-5-1	4-14AWG	5	1.88			1	3	100
26105	ANB4-5-2	4-14AWG	5	2.25	.31	.44	2	OUTBOARD	100
26106	ANB4-5-3	4-14AWG	5	2.25			2	2 & 6	100
26107	ANB4-6-1	4-14AWG	6	2.25			1	4	100
26108	ANB4-6-3	4-14AWG	6	2.56	.31	.44	2	4 & 7	100
26109	ANB4-7-3	4-14AWG	7	2.87			2	3 & 7	100
26110	ANB4-9-2	4-14AWG	9	3.50			2	OUTBOARD	50
26111	ANB4-10-2	4-14AWG	10	3.81			2	OUTBOARD	50
26112	ANB4-12-2	4-14AWG	12	4.43	.31	.44	2	OUTBOARD	50
26115	ANB4-15-2	4-14AWG	15	5.37			2	OUTBOARD	50
26116	ANB4-20-2	4-14AWG	20	6.93			2	OUTBOARD	50
26100	ANB4-190*	4-14AWG	190	60	.31	.44	-	-	10
26121	ANB2-10-3	2-14AWG	10	4.12	.37	.50	2	3 & 11	50
26131	ANB20-2-1	2/0-14AWG	2	1.75			1	2	25
26132	ANB20-3-3	2/0-14AWG	3	2.95	.56	.75	2	2 & 4	25
26133	ANB20-6-2	2/0-14AWG	6	5.00			2	OUTBOARD	25

Hole Spacing: ANB4 = .312, ANB2 = .34, ANB20 = .625

Mounting Bolt Size: ANB4 = #10, ANB2 = 3/16, ANB20 = 3/16

### COPPER NEUTRAL BARS

Solid-bar high-conductivity pure electrolytic copper

Plain copper finish

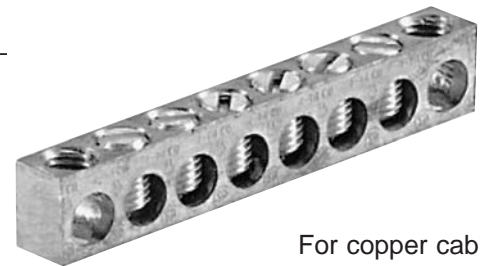
#### CNB SERIES

NAED NUMBER	CATALOG NUMBER	WIRE RANGE	CIRCUITS	DIMENSIONS			MOUNTING HOLES		CTN QTY
				L	W	H	NO.	POSITION	
26204	CNB4-4-2	4-14AWG	4	1.88			2	OUTBOARD	100
26205	CNB4-5-2	4-14AWG	5	2.25	.31	.44	2	OUTBOARD	100
26206	CNB4-6-2	4-14AWG	6	2.56			2	OUTBOARD	50
26212	CNB4-12-2	4-14AWG	12	4.43			2	OUTBOARD	50
26213	CNB4-13-3	4-14AWG	13	4.74	.31	.44	2	3 & 13	50
26214	CNB4-13-4	4-14AWG	13	4.74			2	6 & 11	50
26200	CNB4-190*	4-14AWG	190	60	.31	.44	-	-	10
26222	CNB2-3-2	2-14AWG	3	2.00	.37	.50	2	OUTBOARD	50
26223	CNB2-6-2	2-14AWG	6	3.25	.37	.50	2	2 & 7	50

Hole Spacing: CNB4 = .312, CNB2 = .397

Mounting Bolt Size: CNB4 = #10, CNB2 = 3/16

\* Supplied with screws unassembled



For copper cable  
600V



## NON-INSULATED BLOCKS

Plated for low contact resistance

Aluminum alloy 6061-T6

### PD SERIES



Wire entry optional from either side

NAED NUMBER	CATALOG NUMBER	WIRE RANGE	NO. OF PORTS	DIMENSIONS			ALLEN HEX	CTN QTY
				LENGTH	WIDTH	HEIGHT		
13500	PD 250-4		4	3.50				6
13505	PD 250-6	250 MCM-6	6	6.25	.75	1.00	5/16	6
13510	PD 250-8		8	7.00				6
13515	PD 350-4		4	4.25				3
13520	PD 350-6	350 MCM-6	6	6.38	1.00	1.38	5/16	3
13525	PD 350-8		8	8.50				3
13530	PD 500-4		4	4.88				3
13535	PD 500-6	500 MCM-4	6	7.13	1.00	1.50	5/16	3
13540	PD 500-8		8	9.38				3
13545	* PD 750-4		4	6.00				2
13550	* PD 750-6	750-250 MCM	6	8.75	1.44	2.00	3/8	2
13555	* PD 750-8		8	11.63				1

Other sizes and types available. Consult factory.

Not recommended for use with fine-stranded, flexible cables.

\* 750 MCM not UL listed.

## FLEX CABLE Shoo-pin™ ADAPTER PLUGS

Shoo-Pin™ adapters allow the use of high strand flex cable in "USA SERIES" pre-insulated connectors.

See Page 31 for available sizes.



GREAVES EXCLUSIVE

PATENT PENDING



## POWER DISTRIBUTION

**Dual-Rated**  
CU9AL  
90°C 600V

### PRE-INSULATED SPLICES

Insulated with rugged high-dielectric rubber/vinyl coating  
 Pre-filled with oxide-inhibitor  
 Easy re-entry for changes, inspection, or troubleshooting  
 Plugs marked with connector max wire size for easy identification  
 For flex/extra-flex high-strand wire, first install a PT-FX Shoo-Pin™ Adapter  
 UL/CSA certified through 600MCM size



### PBS SERIES

#### In-Line Splice

NAED NUMBER	CATALOG NUMBER	WIRE RANGE	ALLEN HEX	DIMENSIONS			CTN QTY
				LENGTH	WIDTH	HEIGHT	
13701	<b>PBS 2</b>	#2 - 14	5/32	2.40	.75	1.48	12
13703	<b>PBS 2/0</b>	2/0 - 14	7/32	3.25	.87	1.52	6
13704	<b>PBS 250</b>	250 - #6	5/16	4.00	1.13	2.25	6
13706	<b>PBS 350</b>	350 - #6	5/16	4.63	1.25	2.75	4
13709	<b>PBS 600</b>	600 - #4	5/16	5.12	1.50	3.00	3
13712	<b>PBS 750</b>	750 - 250	3/8	6.10	1.69	3.43	1

Positive center stop



### USA SERIES

#### Single-Entry Splice

NAED NUMBER	CATALOG NUMBER	WIRE RANGE	ALLEN HEX	DIMENSIONS		CTN QTY
				LENGTH	HEIGHT	
13442	<b>USA 4-2</b>	#4 - 14	1/8	1.20	1.45	12
13452	<b>USA 2-2</b>	#2 - 14	5/32	1.20	1.45	12
13422	<b>USA 2/0-2</b>	2/0 - 14	7/32	1.69	1.50	6

Both wires enter same side



### USAD SERIES

#### Dual-Entry Splice

NAED NUMBER	CATALOG NUMBER	WIRE RANGE	ALLEN HEX	DIMENSIONS		CTN QTY
				LENGTH	HEIGHT	
13842	<b>USAD 4-2</b>	#4 - 14	1/8	1.20	1.45	12
13852	<b>USAD 2-2</b>	#2 - 14	5/32	1.20	1.45	12
13822	<b>USAD 2/0-2</b>	2/0 - 14	7/32	1.55	1.50	6
13898	<b>USAD 250-2</b>	250 - #6	5/16	2.13	2.10	6
13913	<b>USAD 350-2</b>	350 - #6	5/16	2.47	2.50	4
13962	<b>USAD 600-2</b>	600 - #4	5/16	2.96	2.90	4
13943	<b>USAD 750-2</b>	750 - 250	3/8	3.50	3.60	2

Optional wire entry from either side





# GREAVES

## POWER DISTRIBUTION

### PRE-INSULATED MULTI-CABLE

Insulated with rugged high-dielectric rubber/vinyl coating

Pre-filled with oxide-inhibitor

Easy re-entry for changes, inspection, or troubleshooting

Plugs marked with connector max wire size for easy identification

For flex/extra-flex high-strand wire, first install a PT-FX Shoo-Pin™ Adapter

UL/CSA certified through 600MCM size

**Dual-Rated**

CU9AL

90°C 600V



### USA SERIES

### Single Entry

NAED NUMBER	CATALOG NUMBER	WIRE PORTS	WIRE RANGE	ALLEN HEX	DIMENSIONS		CTN QTY
					LENGTH	HEIGHT	
13443	USA 4-3	3			1.54		12
13444	USA 4-4	4			1.97		6
13446	USA 4-6	6	#4 - 14	1/8	2.82	1.45	4
13448	USA 4-8	8			3.65		4
13453	USA 2-3	3			1.59		12
13454	USA 2-4	4			1.99		6
13456	USA 2-6	6	#2 - 14	5/32	2.87	1.45	4
13458	USA 2-8	8			3.69		4
13423	USA 2/0-3	3			2.34		6
13424	USA 2/0-4	4			3.01		6
13425	USA 2/0-5	5			3.69		4
13426	USA 2/0-6	6	2/0 - 14	7/32	4.36	1.50	4
13427	USA 2/0-7	7			4.74		3
13428	USA 2/0-8	8			5.41		3
13599	USA 250-3	3			2.99		4
13600	USA 250-4	4			3.85		4
13601	USA 250-5	5			4.71		3
13605	USA 250-6	6	250 - #6	5/16	5.57	2.10	3
13606	USA 250-7	7			6.43		2
13610	USA 250-8	8			7.29		2
13614	USA 350-3	3			3.52		4
13615	USA 350-4	4			4.57		3
13616	USA 350-5	5			5.62		3
13620	USA 350-6	6	350 - #6	5/16	6.67	2.50	2
13621	USA 350-7	7			7.72		2
13625	USA 350-8	8			8.77		2
13663	USA 600-3	3			4.89		3
13664	USA 600-4	4			5.63		2
13665	USA 600-5	5			7.11		2
13666	USA 600-6	6	600 - #4	5/16	8.47	2.90	2
13667	USA 600-7	7			9.83		2
13668	USA 600-8	8			11.18		2
13644	USA 750-3	3			4.90		3
13645	USA 750-4	4			6.19		1
13646	USA 750-5	5			7.75		1
13650	USA 750-6	6	750 - 250	3/8	9.18	3.60	1
13651	USA 750-7	7			10.60		1
13655	USA 750-8	8			12.03		1

Other sizes and types available, consult factory.

All wires enter same side





## POWER DISTRIBUTION

### PRE-INSULATED MULTI-CABLE

Insulated with rugged high-dielectric rubber/vinyl coating  
 Pre-filled with oxide-inhibitor  
 Easy re-entry for changes, inspection, or troubleshooting  
 Plugs marked with connector max wire size for easy identification  
 For flex/extra-flex high-strand wire, first install a PT-FX Shoo-Pin™ Adapter

**Dual-Rated**  
 CU9AL  
 90°C 600V



### USAD SERIES

#### Dual Entry

NAED NUMBER	CATALOG NUMBER	WIRE PORTS	WIRE RANGE	ALLEN HEX	DIMENSIONS		CTN QTY
					LENGTH	HEIGHT	
13843	USAD 4-3	3			1.54		12
13844	USAD 4-4	4			1.97	1.45	6
13846	USAD 4-6	6	#4 - 14	1/8	2.82		3
13848	USAD 4-8	8			3.65		3
13853	USAD 2-3	3			1.59		12
13854	USAD 2-4	4			1.99	1.45	6
13856	USAD 2-6	6	#2 - 14	5/32	2.87		4
13858	USAD 2-8	8			3.69		4
13823	USAD 2/0-3	3			2.34		6
13824	USAD 2/0-4	4			3.01		6
13825	USAD 2/0-5	5			3.69		4
13826	USAD 2/0-6	6			4.36		4
13827	USAD 2/0-7	7			5.05	1.50	3
13828	USAD 2/0-8	8	2/0 - 14	7/32	5.72		3
13829	USAD 2/0-9	9			6.37		1
13830	USAD 2/0-10	10			7.03		1
13831	USAD 2/0-11	11			7.76		1
13832	USAD 2/0-12	12			8.40		1
13899	USAD 250-3	3			2.99		4
13900	USAD 250-4	4			3.85		4
13903	USAD 250-5	5			4.71		3
13905	USAD 250-6	6			5.57		3
13907	USAD 250-7	7	250 - #6	5/16	6.43	2.10	2
13910	USAD 250-8	8			7.29		2
13911	USAD 250-9	9			8.15		1
13908	USAD 250-10	10			9.01		1
13909	USAD 250-11	11			9.87		1
13912	USAD 250-12	12			10.73		1
13914	USAD 350-3	3			3.52		4
13915	USAD 350-4	4			4.57		3
13918	USAD 350-5	5			5.62		3
13920	USAD 350-6	6			6.67		2
13922	USAD 350-7	7			7.72	2.50	2
13925	USAD 350-8	8	350 - #6	5/16	8.77		2
13926	USAD 350-9	9			9.82		1
13923	USAD 350-10	10			10.87		1
13924	USAD 350-11	11			11.92		1
13927	USAD 350-12	12			12.97		1
13963	USAD 600-3	3			4.39		3
13964	USAD 600-4	4			5.63		2
13965	USAD 600-5	5			7.11		2
13966	USAD 600-6	6			8.47		2
13967	USAD 600-7	7			9.83	2.90	2
13968	USAD 600-8	8	600 - #4	5/16	11.18		2
13969	USAD 600-9	9			12.53		1
13970	USAD 600-10	10			13.88		1
13971	USAD 600-11	11			15.23		1
13972	USAD 600-12	12			16.58		1

Wire entry optional from either side



Other sizes and types available, consult factory.



## POWER DISTRIBUTION

### PRE-INSULATED MULTI-CABLE

Insulated with rugged high-dielectric rubber/vinyl coating  
 Pre-filled with oxide-inhibitor  
 Easy re-entry for changes, inspection, or troubleshooting  
 Plugs marked with connector max wire size for easy identification  
 For flex/extra-flex high-strand wire, first install a PT-FX Shoo-Pin™ Adapter

**Dual-Rated**  
 CU9AL  
 90°C 600V

### USAD SERIES

#### Dual-Entry

NAED NUMBER	CATALOG NUMBER	WIRE PORTS	WIRE RANGE	ALLEN HEX	DIMENSIONS		CTN QTY
					LENGTH	HEIGHT	
13944	USAD 750-3	3			4.90		3
13945	USAD 750-4	4			6.19		1
13948	USAD 750-5	5			7.75		1
13950	USAD 750-6	6			9.18		1
13952	USAD 750-7	7			10.60		1
13955	USAD 750-8	8	750 - 250	3/8	12.03	3.60	1
13956	USAD 750-9	9			13.46		1
13953	USAD 750-10	10			14.88		1
13954	USAD 750-11	11			16.30		1
13957	USAD 750-12	12			17.73		1

Wire entry optional from  
 either side



### SPARE PLUGS

Spare plugs for screw cover or wire ports  
 Marked with connector max wire size for easy identification

### PW/PS SERIES

NAED NUMBER	CATALOG NUMBER	CONN SIZE	CTN QTY
WIRE & SCREW PORT			
13724	PWS 4	#4	12
13722	PWS 2	#2	12
13720	PWS 2/0	2/0	12
13725	PWS 250	250	6
13735	PWS 350	350	6
WIRE PORT			
13760	PWP 600	600	6
13775	PWP 750	750	3
SCREW PORT			
13761	PSP 600	600	6
13776	PSP 750	750	3



PATENT PENDING





# GREAVES

## POWER DISTRIBUTION

### PRE-INSULATED MOUNTABLE

Isolated bolt holes for mounting to trough, panel or wireway  
 Most sizes available from stock  
 Insulated with rugged high-dielectric rubber/vinyl coating  
 Pre-filled with oxide-inhibitor  
 Plugs marked with connector max wire size for easy identification  
 For flex/extra-flex high-strand wire, first install a PT-FX Shoo-Pin™ Adapter  
 CSA certified through 600MCM size

**Dual-Rated**  
CU9AL



### USA-M SERIES

### Single Entry

NAED NUMBER	CATALOG NUMBER	WIRE PORTS	WIRE RANGE	MOUNTING		DIMENSIONS	
				HEX	BOLT SIZE	LENGTH	HEIGHT
17142	USA 4-2M	2				1.97	
17144	USA 4-4M	4	#4-14	1/8	#10	2.82	1.45
17146	USA 4-6M	6				3.65	
17122	USA 2-2M	2				1.99	
17124	USA 2-4M	4	#2-14	5/32	#10	2.87	1.45
17126	USA 2-6M	6				3.69	
17102	USA 2/0-2M	2				3.01	
17103	USA 2/0-3M	3				3.69	
17104	USA 2/0-4M	4	2/0-14	7/32	#12	4.36	1.50
17105	USA 2/0-5M	5				4.74	
17106	USA 2/0-6M	6				5.41	
17152	USA 250-2M	2				3.85	
17153	USA 250-3M	3				4.71	
17154	USA 250-4M	4	250-6	5/16	1/4	5.57	2.10
17155	USA 250-5M	5				6.43	
17156	USA 250-6M	6				7.29	
17132	USA 350-2M	2				4.57	
17133	USA 350-3M	3				5.62	
17134	USA 350-4M	4	350-6	5/16	5/16	6.67	2.50
17135	USA 350-5M	5				7.72	
17136	USA 350-6M	6				8.77	
17162	USA 600-2M	2				5.63	
17163	USA 600-3M	3				7.11	
17164	USA 600-4M	4	600-4	5/16	5/16	8.47	2.90
17165	USA 600-5M	5				9.83	
17166	USA 600-6M	6				11.18	
17172	USA 750-2M	2				6.19	
17173	USA 750-3M	3				7.75	
17174	USA 750-4M	4	750-250	3/8	3/8	9.18	3.60
17175	USA 750-5M	5				10.60	
17176	USA 750-6M	6				12.03	



PATENT PENDING



# GREAVES

## POWER DISTRIBUTION

### PRE-INSULATED MOUNTABLE

Isolated bolt holes for mounting to trough, panel or wireway

Most sizes available from stock

For flex/extra-flex high-strand wire, first install a PT-FX Shoo-Pin™ Adapter

CSA certified through 600MCM size

**Dual-Rated**

CU9AL

90°C 600V

### USAD-M SERIES

### Dual Entry

NAED NUMBER	CATALOG NUMBER	WIRE PORTS	WIRE RANGE	MOUNTING		DIMENSIONS	
				HEX	BOLT SIZE	LENGTH	HEIGHT
17242	USAD 4-2M	2				1.97	
17244	USAD 4-4M	4	#4-14	1/8	#10	2.82	1.45
17246	USAD 4-6M	6				3.65	
17222	USAD 2-2M	2				1.99	
17224	USAD 2-4M	4	#2-14	5/32	#10	2.87	1.45
17226	USAD 2-6M	6				3.69	
17202	USAD 2/0-2M	2				3.01	
17203	USAD 2/0-3M	3				3.69	
17204	USAD 2/0-4M	4				4.36	
17205	USAD 2/0-5M	5				5.05	
17206	USAD 2/0-6M	6	2/0-14	7/32	#12	5.72	1.50
17207	USAD 2/0-7M	7				6.37	
17208	USAD 2/0-8M	8				7.03	
17209	USAD 2/0-9M	9				7.76	
17200	USAD 2/0-10M	10				8.40	
17252	USAD 250-2M	2				3.85	
17253	USAD 250-3M	3				4.71	
17254	USAD 250-4M	4				5.57	
17255	USAD 250-5M	5				6.43	
17256	USAD 250-6M	6	250-6	5/16	1/4	7.29	2.10
17257	USAD 250-7M	7				8.15	
17258	USAD 250-8M	8				9.01	
17259	USAD 250-9M	9				9.87	
17250	USAD 250-10M	10				10.73	
17232	USAD 350-2M	2				4.57	
17233	USAD 350-3M	3				5.62	
17234	USAD 350-4M	4				6.67	
17235	USAD 350-5M	5				7.72	
17236	USAD 350-6M	6	350-6	5/16	5/16	8.77	2.50
17237	USAD 350-7M	7				9.82	
17238	USAD 350-8M	8				10.87	
17239	USAD 350-9M	9				11.92	
17230	USAD 350-10M	10				12.97	
17262	USAD 600-2M	2				5.63	
17263	USAD 600-3M	3				7.11	
17264	USAD 600-4M	4				8.47	
17265	USAD 600-5M	5				9.83	
17266	USAD 600-6M	6	600-4	5/16	5/16	11.18	2.90
17267	USAD 600-7M	7				12.53	
17268	USAD 600-8M	8				13.88	
17269	USAD 600-9M	9				15.23	
17260	USAD 600-10M	10				16.58	
17272	USAD 750-2M	2				6.19	
17273	USAD 750-3M	3				7.75	
17274	USAD 750-4M	4				9.18	
17275	USAD 750-5M	5				10.60	
17276	USAD 750-6M	6	750-250	3/8	3/8	12.03	3.60
17277	USAD 750-7M	7				13.46	
17278	USAD 750-8M	8				14.88	
17279	USAD 750-9M	9				16.30	
17270	USAD 750-10M	10				17.73	



PATENT PENDING