

Section D Index

BN4 Series

NEMA 4 JIC Lift-Off Cover Wall-Mount....D2

BN4-CH Series

NEMA 4 JIC Continuous Hinged
Wall-MountD4

WA-GSC Series

NEMA 3 & 4 Screw Cover
Moisture ProofD6

BCHFTC Series (NEMA 12 & 4)

JIC Continuous Hinge Wall-MountC15

N412-C ULTIMATE Series

NEMA 4 & 12 Single Door Wall-MountD8

N412-WC ULTIMATE Series

NEMA 4 & 12 Single Door with
Window Wall-MountD11

N412-3PTC Series

NEMA 4 Single Door with
3PT Handle.....D14

N412-CST Series

NEMA 4 & 12 Slope Top Single Door
Wall-Mount.....D16

N4 Series

NEMA 4 Single Door Wall-Mount.....D18

N4D Series

NEMA 4 Floor-Mount.....D20

N4S-FS Series

NEMA 4 Single Door FreestandingD22

N4D-3PT Series

NEMA 4 Two Door Floor-Mount with
3PT Handle.....D24

WA-FSN43PT Series

NEMA 4 Single Door, Freestanding with
3PT Handle.....D26

NEMA 4 ENCLOSURES



**BN4 SERIES ENCLOSURES
NEMA 4 JIC LIFT-OFF COVER WALL-MOUNT**


BN4060604

Industry Standards

UL 50, Types 4, 12 & 13
(6 X 6 X 4 & above)
UL 508, Types 4, 12 & 13
(6 X 4 X 3 & smaller)
CSA Certified, Types 4 & 12
NEMA/EEMAC Type 4, 12 & 13
JIC EL-1-71



UL Files E23553, E64791



CSA File LL66078

FEATURES-SPECIFICATIONS
Applications

Designed for use as instrument housings, electrical control enclosures, terminal wiring boxes or electrical junction boxes. Provides protection where equipment is hosed down, very wet, or in outdoor applications.

Construction

- Bodies 14 gauge and doors fabricated from 16 gauge steel
- Continuously welded seams ground smooth, less knockouts or holes

- Closed cell oil resistant neoprene gasket
- External mounting plate, top and bottom of enclosure
- Weldnuts are provided on models 6.00" x 4.00" or larger to secure optional panel
- Stainless steel screws and clamps on four sides of cover to assure water tight seal
- Grounding provisions provided
- **Optional** back panels and terminal kits must be ordered separately

Finish

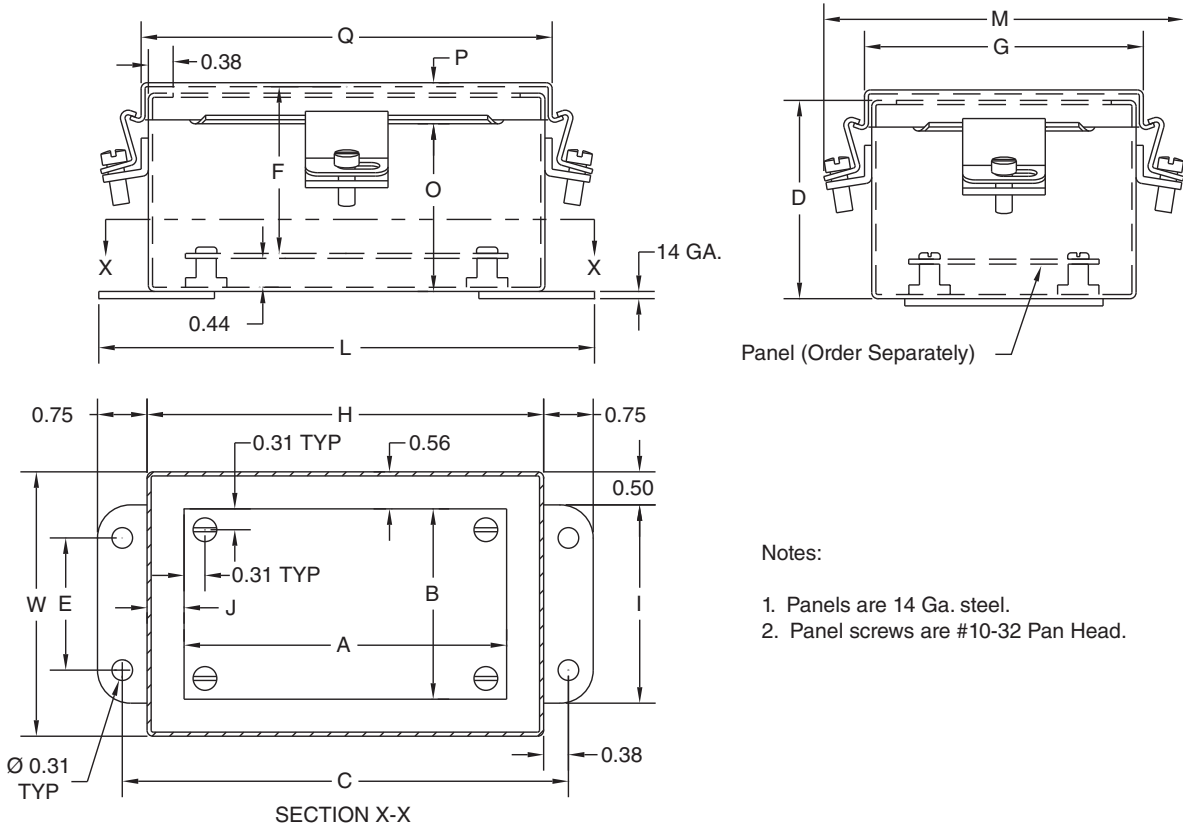
- ANSI-61 gray polyester powder inside and out
- **Optional** back panels are white polyester powder
- **Optional** "G" panels have a conductive finish (See page I2)

Accessories

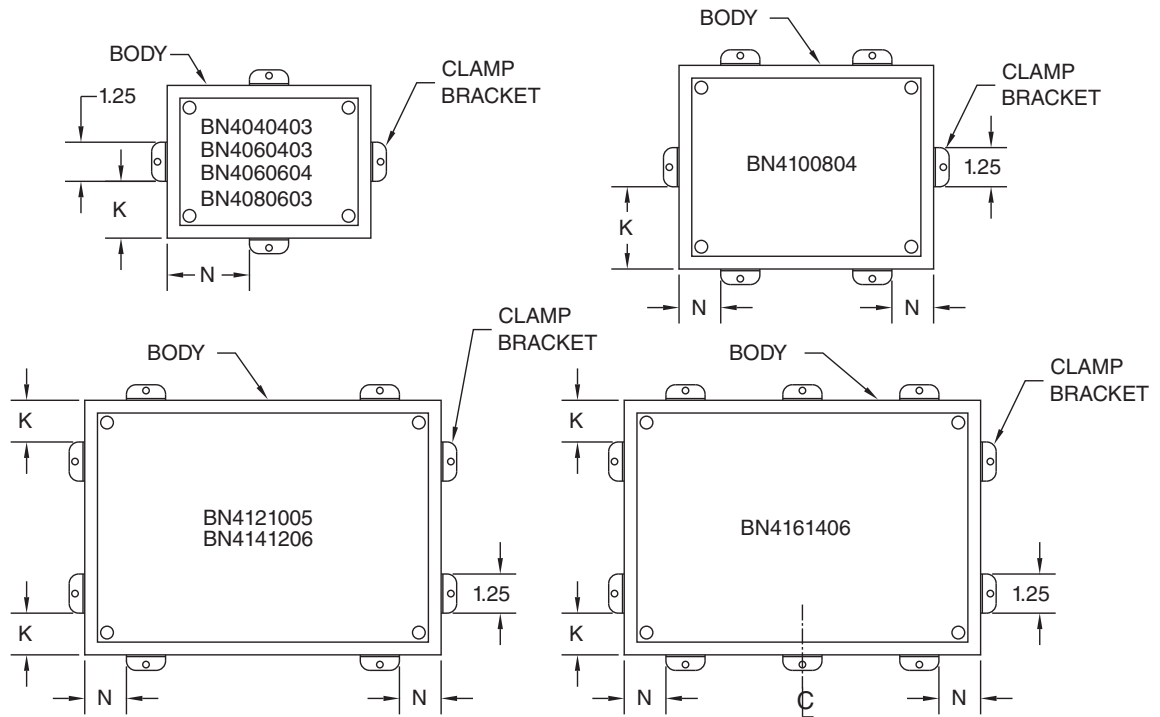
- Back panels (reference tables)
- See pages J1-J22

BN4 SERIES JIC LIFT OFF COVER ENCLOSURES															
CATALOG NUMBER	ENCLOSURE SIZE H X W X D	BACK PANEL CATALOG NUMBER*		BACK PANEL SIZE A X B	MOUNTING C X E	OVERALL L X M	F	G	I	J	K	N	O	P	Q
		WHITE	"G"												
BN4040403	4.00x4.00x3.00 (102x102x76)	—	—	—	4.75x2.00 (121x51)	5.50x5.63 (140x143)	2.53 (64)	4.31 (109)	3.00 (76)	—	1.38 (35)	1.38 (35)	2.53 (64)	0.63 (16)	4.31 (110)
BN4060403	6.00x4.00x3.00 (152x102x76)	P0604	P0604G	4.88x2.88 (124x73)	6.75x2.00 (171x51)	7.50x5.63 (191x143)	2.53 (64)	4.31 (109)	3.00 (76)	0.56 (14)	1.38 (35)	2.38 (60)	2.53 (64)	0.63 (16)	6.31 (160)
BN4060604	6.00x6.00x4.00 (152x152x102)	P0606	P0606G	4.88x4.88 (124x124)	6.75x4.00 (171x102)	7.50x7.63 (191x194)	3.53 (90)	6.31 (160)	5.00 (127)	0.56 (14)	2.38 (60)	2.38 (60)	3.53 (90)	0.63 (16)	6.31 (160)
BN4080603	8.00x6.00x3.50 (203x152x89)	P0806	P0806G	6.88x4.88 (175x124)	8.75x4.00 (222x102)	9.50x7.63 (241x194)	3.03 (77)	6.31 (160)	5.00 (127)	0.56 (14)	2.38 (60)	3.38 (86)	3.03 (77)	0.63 (16)	8.31 (211)
BN4100804	10.00x8.00x4.00 (254x203x102)	P1008	P1008G	8.88x6.88 (226x175)	10.75x6.00 (273x152)	11.50x9.63 (292x244)	3.53 (90)	8.31 (211)	7.00 (178)	0.56 (14)	3.38 (86)	1.50 (38)	3.53 (90)	0.63 (16)	10.31 (262)
BN4121005	12.00x10.00x5.00 (305x254x127)	P1210	P1210G	10.88x8.88 (276x226)	12.75x8.00 (324x203)	13.50x11.63 (343x295)	4.53 (115)	10.31 (262)	9.00 (229)	0.56 (14)	2.00 (51)	3.00 (76)	4.53 (115)	0.63 (16)	12.31 (313)
BN4141206	14.00x12.00x6.00 (356x305x152)	P1412	P1412G	12.88x10.88 (327x276)	14.75x10.00 (375x254)	15.50x13.63 (394x346)	5.53 (141)	12.31 (313)	11.00 (279)	0.56 (14)	2.00 (51)	3.00 (76)	5.53 (141)	0.63 (16)	14.31 (364)
BN4161406	16.00x14.00x6.00 (406x356x152)	P1614	P1614G	14.88x12.88 (378x327)	16.75x12.00 (425x305)	17.50x15.63 (445x397)	5.53 (141)	14.31 (363)	13.00 (330)	0.56 (14)	3.50 (89)	1.50 (38)	5.53 (141)	0.63 (16)	16.31 (414)

*Back panels must be ordered separately.



CLAMP BRACKET LOCATIONS



BN4 - CH SERIES ENCLOSURES NEMA 4 JIC CONTINUOUS HINGED WALL-MOUNT



BN4060604CH

Industry Standards

UL 50, Types 4, 12 & 13
CSA Certified, Types 4 & 12
NEMA/EEMAC Type 4, 12 & 13
JIC EL-1-71



UL File E6924, E64791



CSA File LL66078

FEATURES-SPECIFICATIONS

Applications

Designed for use as instrument housings, electrical control enclosures, terminal wiring boxes or electrical junction boxes. Provides protection in areas that are hosed down or very wet or in outdoor applications.

Construction

- Bodies 14 gauge and doors fabricated from 16 gauge steel
- Continuously welded seams ground smooth, less knockouts or holes
- Closed cell oil resistant neoprene gasket

- External mounting plates, top and bottom of enclosure
- Weldnuts are provided on models 6.00" x 4.00" and larger to secure optional panel
- Continuous hinged cover is secured on three sides with stainless steel screws and clamps to assure a watertight seal
- Cover removable by pulling stainless steel hinge pin
- Grounding provisions provided
- **Optional** back panels and terminal kits must be ordered separately

Finish

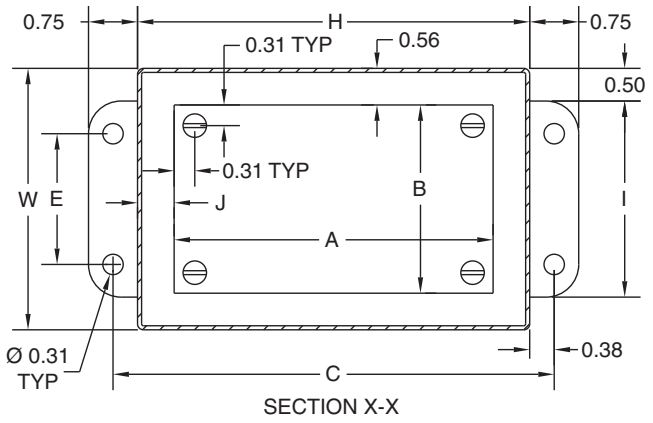
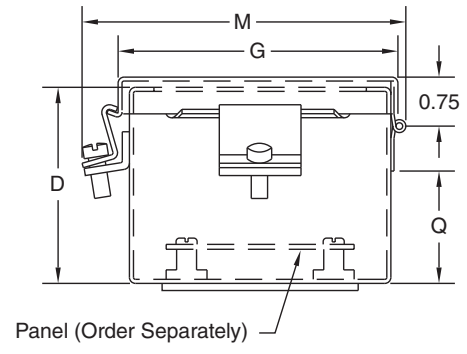
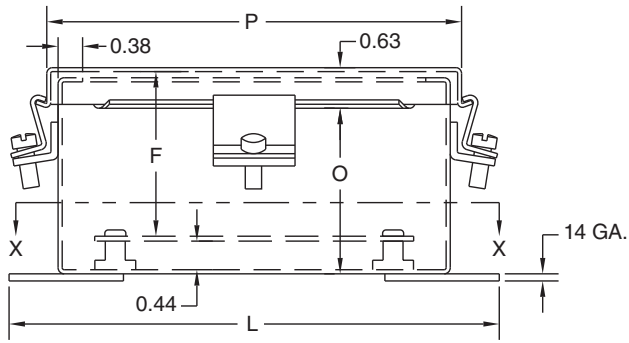
- ANSI-61 gray polyester powder inside and out
- **Optional** back panels are white polyester powder
- **Optional** "G" panels have a conductive finish (See page I2)

Accessories

- Back panels (reference tables)
- See pages J1-J22

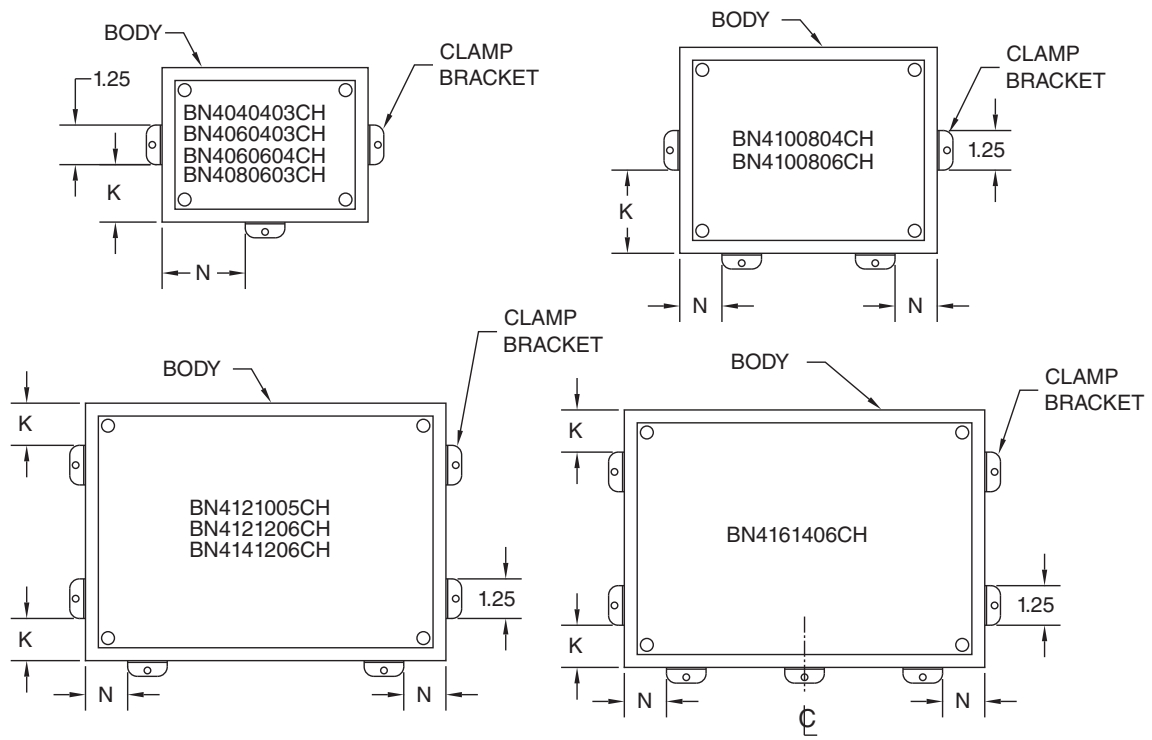
BN4-CH SERIES JIC CONTINUOUS HINGED ENCLOSURES															
CATALOG NUMBER	ENCLOSURE SIZE H X W X D	BACK PANEL CATALOG NUMBER*		BACK PANEL SIZE A X B	MOUNTING C X E	OVERALL L X M	F	G	I	J	K	N	O	P	Q
		WHITE	"G"												
BN4040403CH	4.00x4.00x3.00 (102x102x76)	—	—	—	4.75x2.00 (121x51)	5.50x5.00 (140x127)	2.53 (64)	4.31 (109)	3.00 (76)	—	1.38 (35)	1.38 (35)	2.53 (64)	4.31 (110)	1.78 (45)
BN4060403CH	6.00x4.00x3.00 (152x102x76)	P0604	P0604G	4.88x2.88 (124x73)	6.75x2.00 (171x51)	7.50x5.00 (191x127)	2.53 (64)	4.31 (109)	3.00 (76)	0.56 (14)	1.38 (35)	2.38 (60)	2.53 (64)	6.31 (160)	1.78 (45)
BN4060604CH	6.00x6.00x4.00 (152x152x102)	P0606	P0606G	4.88x4.88 (124x124)	6.75x4.00 (171x102)	7.50x7.00 (191x178)	3.53 (90)	6.31 (160)	5.00 (127)	0.56 (14)	2.38 (60)	2.38 (60)	3.53 (90)	6.31 (160)	2.78 (71)
BN4080603CH	8.00x6.00x3.50 (203x152x89)	P0806	P0806G	6.88x4.88 (175x124)	8.75x4.00 (222x102)	9.50x7.00 (241x178)	3.03 (77)	6.31 (160)	5.00 (127)	0.56 (14)	2.38 (60)	3.38 (86)	3.03 (77)	8.31 (211)	2.28 (58)
BN4100804CH	10.00x8.00x4.00 (254x203x102)	P1008	P1008G	8.88x6.88 (226x175)	10.75x6.00 (273x152)	11.50x9.00 (292x229)	3.53 (90)	8.31 (211)	7.00 (178)	0.56 (14)	3.38 (86)	1.50 (38)	5.53 (141)	10.31 (262)	2.78 (71)
BN4100806CH	10.00x8.00x6.00 (254x203x152)	P1008	P1008G	8.88x6.88 (226x175)	10.75x6.00 (273x152)	11.50x9.00 (292x229)	5.53 (141)	8.31 (211)	7.00 (178)	0.56 (14)	3.38 (86)	1.50 (38)	5.53 (141)	10.31 (262)	4.78 (121)
BN4121005CH	12.00x10.00x5.00 (305x254x127)	P1210	P1210G	10.88x8.88 (276x226)	12.75x8.00 (324x203)	13.50x11.00 (343x279)	4.53 (115)	10.31 (262)	9.00 (229)	0.56 (14)	2.00 (51)	3.00 (76)	4.53 (115)	12.31 (313)	3.78 (96)
BN4121206CH	12.00x12.00x6.00 (305x305x152)	P1212	P1212G	10.88x10.88 (276x276)	12.75x10.00 (324x254)	13.50x13.00 (343x330)	5.53 (141)	12.31 (313)	11.00 (279)	0.56 (14)	2.50 (64)	2.50 (64)	5.53 (141)	12.31 (313)	4.78 (121)
BN4141206CH	14.00x12.00x6.00 (356x305x152)	P1412	P1412G	12.88x10.88 (327x276)	14.75x10.00 (375x254)	15.50x13.00 (394x330)	5.53 (141)	12.31 (313)	11.00 (279)	0.56 (14)	2.00 (51)	3.00 (76)	5.53 (141)	14.31 (364)	4.78 (121)
BN4161406CH	16.00x14.00x6.00 (406x356x152)	P1614	P1614G	14.88x12.88 (378x327)	16.75x12.00 (425x305)	17.50x15.00 (445x381)	5.53 (141)	14.31 (363)	13.00 (330)	0.56 (14)	3.50 (89)	1.50 (38)	5.53 (141)	16.31 (414)	4.78 (121)

*Back panels must be ordered separately.



- Notes:
1. Panels are 14 Ga. steel.
 2. Panel screws are #10-32 Pan Head.

CLAMP BRACKET LOCATIONS



**WA - GSC SERIES ENCLOSURES
NEMA 3 & 4 SCREW COVER MOISTURE PROOF**


WA060604GSC



WA060604GSCG

Industry Standards

UL50, Types 3 & 4
NEMA/EEMAC Type 3 & 4



UL File E23553

FEATURES-SPECIFICATIONS
Applications

Designed for use as a wiring box, junction box, pull box, and terminal box in many indoor or outdoor applications where dust or moisture is a problem.

Construction

- Bodies fabricated from 14 or 12 gauge carbon steel or G-90 grade galvanized steel. Covers fabricated from 14, 12, or G-90 grade galvanized steel

- Seams are continuously welded and ground smooth
- Cover contains closed cell oil resistant neoprene gasket
- Enclosure comes with stainless steel cover screws which thread into sealed wells to prevent liquid, dust, etc., from entering into the box through the screw holes
- Ground stud located in door

- Galvanized box welded corners protected by zinc-rich coating
- No holes, knockouts, or rear mounting holes

Finish

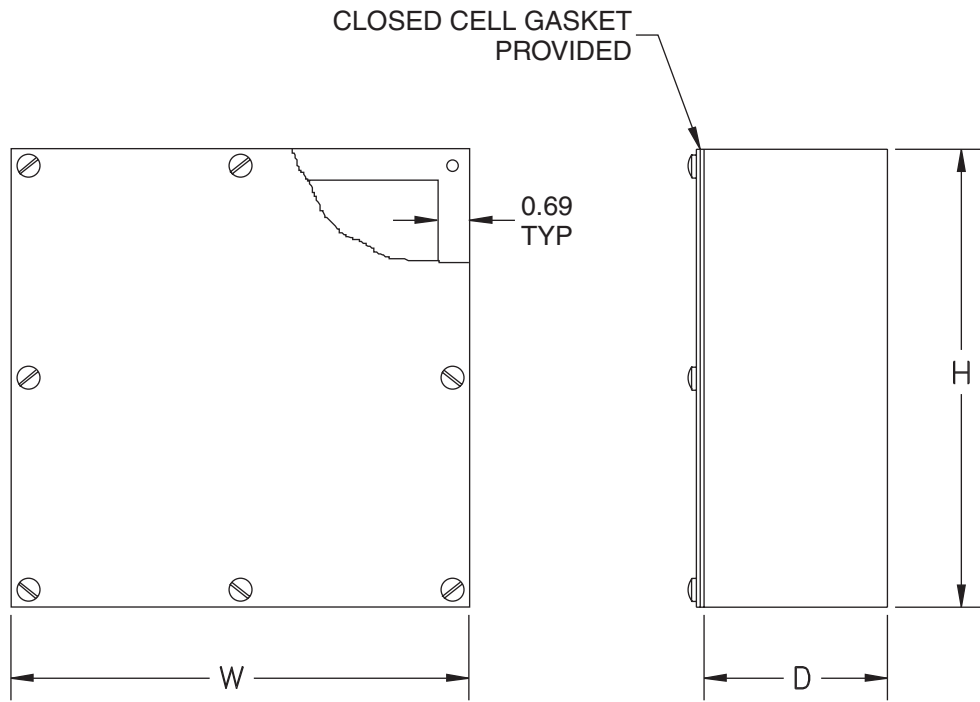
- ANSI-61 gray polyester powder inside and out, or unpainted pre-galvanized steel

Accessories

- See pages J1-J22

WA-GSC SERIES SCREW COVER ENCLOSURES

CATALOG NUMBER		BODY/DOOR STEEL GAUGE	ENCLOSURE SIZE H X W X D
PAINTED	GALVANIZED		
WA060604GSC	WA060604GSCG	14/14	6.00x6.00x4.00 (152x152x102)
WA060606GSC	WA060606GSCG	14/14	6.00x6.00x6.00 (152x152x152)
WA060804GSC	WA060804GSCG	14/14	6.00x8.00x4.00 (152x203x102)
WA060806GSC	WA060806GSCG	14/14	6.00x8.00x6.00 (152x203x152)
WA080804GSC	WA080804GSCG	14/14	8.00x8.00x4.00 (203x203x102)
WA080806GSC	WA080806GSCG	14/14	8.00x8.00x6.00 (203x203x152)
WA081004GSC	WA081004GSCG	14/14	8.00x10.00x4.00 (203x254x102)
WA101004GSC	WA101004GSCG	14/14	10.00x10.00x4.00 (254x254x102)
WA101006GSC	WA101006GSCG	14/14	10.00x10.00x6.00 (254x254x152)
WA101206GSC	WA101206GSCG	14/14	10.00x12.00x6.00 (254x305x152)
WA121204GSC	WA121204GSCG	14/14	12.00x12.00x4.00 (305x305x102)
WA121206GSC	WA121206GSCG	14/14	12.00x12.00x6.00 (305x305x152)
WA121606GSC	WA121606GSCG	14/14	12.00x16.00x6.00 (305x406x152)
WA121608GSC	WA121608GSCG	14/14	12.00x16.00x8.00 (305x406x203)
WA161606GSC	WA161606GSCG	14/14	16.00x16.00x6.00 (406x406x152)
WA161608GSC	WA161608GSCG	14/14	16.00x16.00x8.00 (406x406x203)
WA181806GSC	WA181806GSCG	14/14	18.00x18.00x6.00 (457x457x152)
WA202008GSC	WA202008GSCG	14/14	20.00x20.00x8.00 (508x508x203)
WA202408GSC	WA202408GSCG	14/14	20.00x24.00x8.00 (508x610x203)
WA242408GSC	WA242408GSCG	14/14	24.00x24.00x8.00 (610x610x203)
WA303012GSC	WA303012GSCG	12/12	30.00x30.00x12.00 (762x762x305)
WA363612GSC	WA363612GSCG	12/12	36.00x36.00x12.00 (914x914x305)



**N412 - C ULTIMATE SERIES ENCLOSURES
NEMA 4 & 12 SINGLE DOOR WALL-MOUNT**



N412161206C

Industry Standards

UL 508, Types 4, 12 & 13
CSA Certified, Types 4, 12 & 13
NEMA/EEMAC Type 4, 12 & 13

Wall mounting brackets required to maintain UL/CSA external mounting requirements

UL Files E64791

CSA File LL66078

FEATURES-SPECIFICATIONS

Applications

Hubbell Wiegmann N412C ULTIMATE Series Enclosures are designed to house and protect electrical and electronic components from harsh, dirty environments. For use in installations where dirt, dust, oil, water, or other contaminants are present. Streamlined styling, flush latching, and attractive durable finish complement any high tech electronic equipment.

Construction

- Bodies and doors fabricated from 14 gauge steel
- Continuously Plasma welded seams
- Increased tub opening for better access
- Concealed hinges

- Doors are interchangeable and easily removable
- Grounding provisions provided
- 1/4-turn semi-flush oil tight latches are supplied to hold door securely closed
- Print pocket is provided
- Doors are sealed with poured-in-place polyurethane gasket**
- Mounting holes in rear of enclosure
- Studs for mounting optional back panel (the Ultimate back panels have increased in size to accommodate larger foot-print installations)

Finish

- ANSI 61 gray polyester powder inside and out

- An optional RAL7035 textured light-gray polyester powder finish is available, but is made to order only. (Consult Factory) An "LG" is all that is needed to order product.***
- Optional back panels are white polyester powder
- Optional "G" panels have a conductive finish (See page I5)

Accessories

- Back panels (see reference tables)
- Window door (see reference tables)
- See pages J1-J22. See pages J20-J22 for ULTIMATE Series Accessories
- Optional N412MFK mounting foot kit must be ordered separately

N412C ULTIMATE SERIES SINGLE DOOR ENCLOSURES							
CATALOG NUMBER	BODY/DOOR STEEL GAUGE	ENCLOSURE SIZE H X W X D	BACK PANEL CATALOG NUMBER*		BACK PANEL SIZE A & B	C	E
			WHITE	"G"			
N412121206C	14/14	12.00x12.00x6.00 (305x305x152)	NP1212C	NP1212CG	10.2x10.2 (259x259)	6.00 (152)	—
N412161206C	14/14	16.00x12.00x6.00 (406x305x152)	NP1612C	NP1612CG	14.2x10.2 (361x259)	8.00 (203)	—
N412161606C	14/14	16.00x16.00x6.00 (406x406x152)	NP1616C	NP1616CG	14.2x14.2 (361x361)	8.00 (203)	—
N412162006C	14/14	16.00x20.00x6.00 (406x508x152)	NP2016C	NP2016CG	14.2x18.2 (361x462)	8.00 (203)	—
N412201606C	14/14	20.00x16.00x6.00 (508x406x152)	NP2016C	NP2016CG	18.2x14.2 (462x361)	10.00 (254)	—
N412202006C	14/14	20.00x20.00x6.00 (508x508x152)	NP2020C	NP2020CG	18.2x18.2 (462x462)	10.00 (254)	—
N412241606C	14/14	24.00x16.00x6.00 (610x406x152)	NP2416C	NP2416CG	22.2x14.2 (564x361)	12.00 (305)	—
N412242006C	14/14	24.00x20.00x6.00 (610x508x152)	NP2420C	NP2420CG	22.2x18.2 (564x462)	12.00 (305)	—
N412242406C	14/14	24.00x24.00x6.00 (610x610x152)	NP2424C	NP2424CG	22.2x22.2 (564x564)	4.00 (102)	16.00 (406)
N412161208C	14/14	16.00x12.00x8.00 (406x305x203)	NP1612C	NP1612CG	14.2x10.2 (361x259)	8.00 (203)	—
N412161608C	14/14	16.00x16.00x8.00 (406x406x203)	NP1616C	NP1616CG	14.2x14.2 (361x361)	8.00 (203)	—
N412162008C	14/14	16.00x20.00x8.00 (406x508x203)	NP2016C	NP2016CG	14.2x18.2 (361x462)	8.00 (203)	—
N412201608C	14/14	20.00x16.00x8.00 (508x406x203)	NP2016C	NP2016CG	18.2x14.2 (462x361)	10.00 (254)	—
N412241608C	14/14	24.00x16.00x8.00 (610x406x203)	NP2416C	NP2416CG	22.2x14.2 (564x361)	12.00 (305)	—
N412202008C	14/14	20.00x20.00x8.00 (508x508x203)	NP2020C	NP2020CG	18.2x18.2 (462x462)	10.00 (254)	—
N412242008C	14/14	24.00x20.00x8.00 (610x508x203)	NP2420C	NP2420CG	22.2x18.2 (564x462)	12.00 (305)	—
N412302008C	14/14	30.00x20.00x8.00 (762x508x203)	NP3020C	NP3020CG	28.2x18.2 (716x462)	4.00 (102)	22.00 (559)
N412202408C	14/14	20.00x24.00x8.00 (508x610x203)	NP2420C	NP2420CG	18.2x22.2 (462x564)	10.00 (254)	—

*Back panels must be ordered separately.

***An optional RAL7035 Textured light-gray polyester powder finish is available, but is made to order only. (Consult Factory) An "LG" is all that is needed to order product.

Continued on page D9

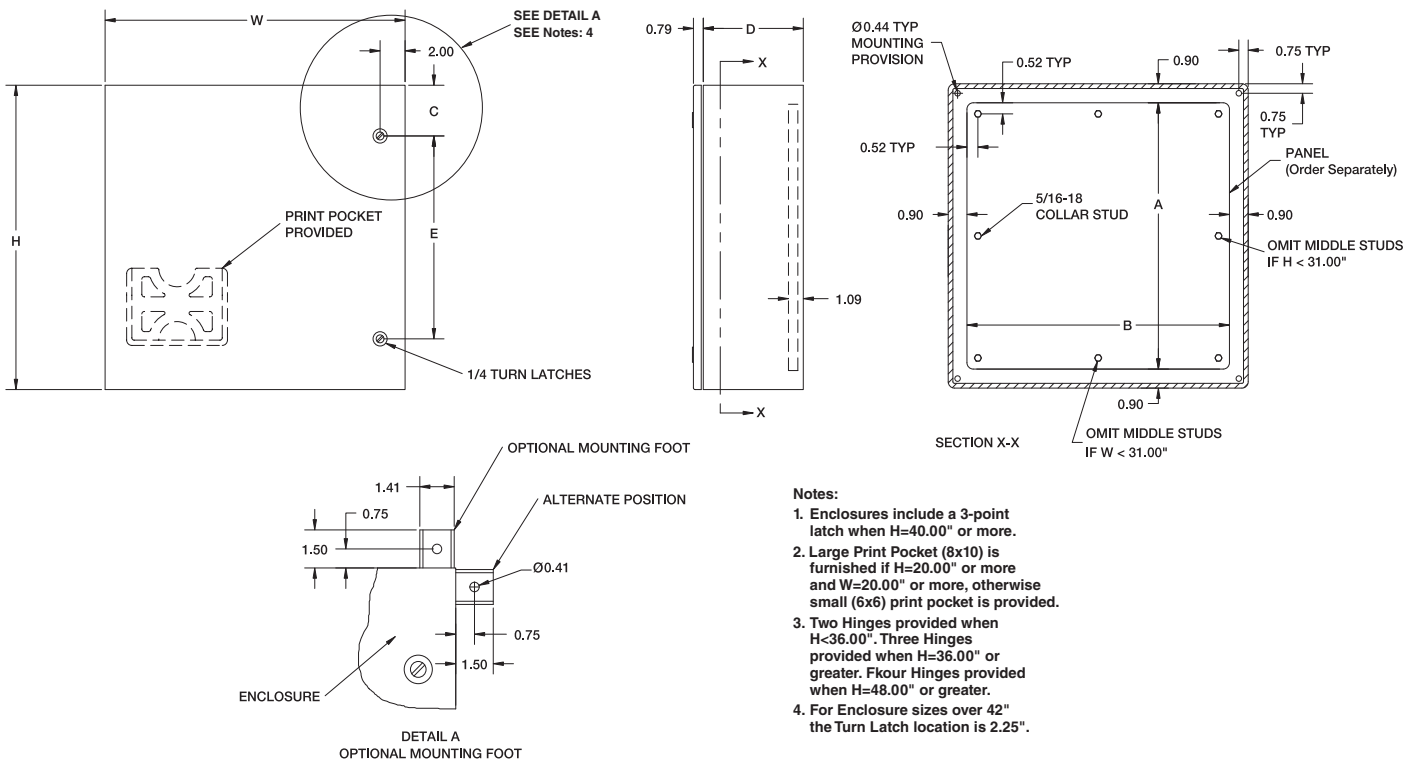
**N412 - C ULTIMATE SERIES ENCLOSURES
NEMA 4 & 12 SINGLE DOOR WALL-MOUNT**

D9

N412C ULTIMATE SERIES SINGLE DOOR ENCLOSURES (CONT.)							
CATALOG NUMBER	BODY/DOOR STEEL GAUGE	ENCLOSURE SIZE H X W X D	BACK PANEL CATALOG NUMBER*		BACK PANEL SIZE A & B	C	E
			WHITE	"G"			
N412242408C	14/14	24.00x24.00x8.00 (610x610x203)	NP2424C	NP2424CG	22.2x22.2 (564x564)	4.00 (102)	16.00 (406)
N412302408C	14/14	30.00x24.00x8.00 (762x610x203)	NP3024C	NP3024CG	28.2x22.2 (716x564)	4.00 (102)	22.00 (559)
N412362408C	14/14	36.00x24.00x8.00 (914x610x203)	NP3624C	NP3624CG	34.2x22.2 (869x564)	4.00 (102)	28.00 (711)
N412243008C	14/14	24.00x30.00x8.00 (610x762x203)	NP2430C	NP2430CG	22.2x28.2 (564x716)	4.00 (102)	16.00 (406)
N412303008C	14/14	30.00x30.00x8.00 (762x762x203)	NP3030C	NP3030CG	28.2x28.2 (716x716)	4.00 (102)	22.00 (559)
N412363008C	14/14	36.00x30.00x8.00 (914x762x203)	NP3630C	NP3630CG	34.2x28.2 (869x716)	4.00 (102)	28.00 (711)
N412363608C	14/14	36.00x36.00x8.00 (914x914x203)	NP3636C	NP3636CG	34.2x34.2 (869x869)	4.00 (102)	28.00 (711)
N412161210C	14/14	16.00x12.00x10.00 (406x305x254)	NP1612C	NP1612CG	14.2x10.2 (361x259)	8.00 (204)	—
N412161610C	14/14	16.00x16.00x10.00 (406x406x254)	NP1616C	NP1616CG	14.2x14.2 (361x361)	8.00 (204)	—
N412162010C	14/14	16.00x20.00x10.00 (406x508x254)	NP1620C	NP1620CG	14.2x18.2 (361x462)	8.00 (204)	—
N412201610C	14/14	20.00x16.00x10.00 (508x406x254)	NP2016C	NP2016CG	18.2x14.2 (462x361)	10.00 (255)	—
N412202010C	14/14	20.00x20.00x10.00 (508x508x254)	NP2020C	NP2020CG	18.2x18.2 (462x462)	10.00 (255)	—
N412202410C	14/14	20.00x24.00x10.00 (508x610x254)	NP2024C	NP2024CG	18.2x22.2 (462x564)	10.00 (255)	—
N412241610C	14/14	24.00x16.00x10.00 (610x406x254)	NP2416C	NP2416CG	22.2x14.2 (564x361)	12.00 (306)	—
N412242010C	14/14	24.00x20.00x10.00 (610x508x254)	NP2420C	NP2420CG	22.2x18.2 (564x462)	12.00 (306)	—
N412242410C	14/14	24.00x24.00x10.00 (610x610x254)	NP2424C	NP2424CG	22.2x22.2 (564x564)	4.00 (102)	16.00 (406)
N412243010C	14/14	24.00x30.00x10.00 (610x762x254)	NP2430C	NP2430CG	22.2x28.2 (564x716)	4.00 (102)	16.00 (406)
N412302010C	14/14	30.00x20.00x10.00 (762x508x254)	NP3020C	NP3020CG	28.2x18.2 (716x462)	4.00 (102)	22.00 (559)
N412302410C	14/14	30.00x24.00x10.00 (762x610x254)	NP3024C	NP3024CG	28.2x22.2 (716x564)	4.00 (102)	28.00 (711)
N412303010C	14/14	30.00x30.00x10.00 (762x762x254)	NP3030C	NP3030CG	28.2x28.2 (716x716)	4.00 (102)	22.00 (559)
N412362410C	14/14	36.00x24.00x10.00 (914x610x254)	NP3624C	NP3624CG	34.2x22.2 (869x564)	4.00 (102)	28.00 (711)
N412363010C	14/14	36.00x30.00x10.00 (914x762x254)	NP3630C	NP3630CG	34.2x28.2 (869x716)	4.00 (102)	28.00 (711)
N412363610C	14/14	36.00x36.00x10.00 (914x914x254)	NP3636C	NP3636CG	34.2x34.2 (869x869)	4.00 (102)	28.00 (711)
N412423610C	14/14	42.00x36.00x10.00 (1067x914x254)	NP4236C	NP4236CG	40.2x34.2 (1021x869)	21.00 (533)	—
N412482410C	14/14	48.00x24.00x10.00 (1219x610x254)	NP4824C	NP4824CG	46.2x22.2 (1173x564)	24.00 (610)	—
N412483610C	14/14	48.00x36.00x10.00 (1219x914x254)	NP4836C	NP4836CG	46.2x34.2 (1173x869)	24.00 (610)	—
N412603610C	14/14	60.00x36.00x10.00 (1524x914x254)	NP6036C	NP6036CG	58.2x34.2 (1478x869)	30.00 (765)	—
N412202012C	14/14	20.00x20.00x12.00 (508x508x305)	NP2020C	NP2020CG	18.2x18.2 (462x462)	10.00 (254)	16.00 (406)
N412242012C	14/14	24.00x20.00x12.00 (610x508x305)	NP2420C	NP2420CG	22.2x18.2 (564x462)	12.00 (305)	—
N412242412C	14/14	24.00x24.00x12.00 (610x610x305)	NP2424C	NP2424CG	22.2x22.2 (564x564)	4.00 (102)	16.00 (406)
N412302412C	14/14	30.00x24.00x12.00 (762x610x305)	NP3024C	NP3024CG	28.2x22.2 (716x564)	4.00 (102)	22.00 (559)
N412303012C	14/14	30.00x30.00x12.00 (762x762x305)	NP3030C	NP3030CG	28.2x28.2 (716x716)	4.00 (102)	—
N412362412C	14/14	36.00x24.00x12.00 (914x610x305)	NP3624C	NP3624CG	34.2x22.2 (869x564)	4.00 (102)	28.00 (711)
N412402412C	14/14	40.00x24.00x12.00 (1016x610x305)	NP4024C	NP4024CG	38.2x22.2 (970x564)	20.00 (508)	—
N412363012C	14/14	36.00x30.00x12.00 (914x762x305)	NP3630C	NP3630CG	34.2x28.2 (869x716)	4.00 (102)	28.00 (711)
N412363612C	14/14	36.00x36.00x12.00 (914x914x305)	NP3636C	NP3636CG	34.2x34.2 (869x869)	4.00 (102)	28.00 (711)
N412423612C	14/14	42.00x36.00x12.00 (1067x914x305)	NP4236C	NP4236CG	40.2x34.2 (1021x869)	21.00 (533)	—
N412482412C**	14/14	48.00x24.00x12.00 (1219x610x305)	NP4824C	NP4824CG	46.2x22.2 (1173x564)	24.00 (610)	—
N412483612C**	14/14	48.00x36.00x12.00 (1219x914x305)	NP4836C	NP4836CG	46.2x34.2 (1173x869)	24.00 (610)	16.00 (406)
N412603612C**	14/14	60.00x36.00x12.00 (1524x914x305)	NP6036C	NP6036CG	58.2x34.2 (1478x869)	30.00 (762)	28.00 (711)
N412242416C**	14/14	24.00x24.00x16.00 (610x610x406)	NP2424C	NP2424CG	22.2x22.2 (564x564)	4.00 (102)	—
N412363016C**	14/14	36.00x30.00x16.00 (914x762x406)	NP3630C	NP3630CG	34.2x28.2 (869x716)	4.00 (102)	16.00 (406)
N412483616C**	14/14	48.00x36.00x16.00 (1219x914x406)	NP4836C	NP4836CG	46.2x34.2 (1173x869)	24.00 (610)	22.00 (559)
N412242420C**	14/14	24.00x24.00x20.00 (610x610x508)	NP2424C	NP2424CG	22.2x22.2 (564x564)	4.00 (102)	16.00 (406)
N412302420C**	14/14	30.00x24.00x20.00 (762x610x508)	NP3024C	NP3024CG	28.2x22.2 (716x564)	4.00 (102)	16.00 (406)
N412363020C**	14/14	36.00x30.00x20.00 (914x762x508)	NP3630C	NP3630CG	34.2x28.2 (869x716)	4.00 (102)	28.00 (711)

*Back panels must be ordered separately. **Enclosures are supplied with closed cell neoprene gasket (not foam-in-place).

***An optional RAL7035 Textured light-gray polyester powder finish is available, but is made to order only. (Consult Factory)
An "LG" is all that is needed to order product.



- Notes:**
1. Enclosures include a 3-point latch when $H=40.00''$ or more.
 2. Large Print Pocket (8x10) is furnished if $H=20.00''$ or more and $W=20.00''$ or more, otherwise small (6x6) print pocket is provided.
 3. Two Hinges provided when $H<36.00''$. Three Hinges provided when $H=36.00''$ or greater. Four Hinges provided when $H=48.00''$ or greater.
 4. For Enclosure sizes over 42" the Turn Latch location is 2.25".

N412 - WC ULTIMATE SERIES ENCLOSURES NEMA 4 & 12 SINGLE DOOR WALL-MOUNT WITH WINDOW

D11



N412WC

Industry Standards

UL 508, Types 4, 12 & 13

CSA Certified, Types 4, 12 & 13

NEMA/EEMAC Type 4, 12 & 13

Wall mounting brackets required to maintain UL/CSA external mounting requirements.

 UL Files E64791

 CSA File LL66078

FEATURES-SPECIFICATIONS

Applications

Hubbell Wiegmann N412WC ULTIMATE Series Enclosures are designed to house and protect electrical and electronic components from harsh, dirty environments. For use in installations where dirt, dust, oil, water, or other contaminants are present. Streamlined styling, flush latching, and attractive durable finish complement any high tech electronic equipment.

Construction

- Bodies and doors fabricated from 14 gauge steel
- Continuously Plasma welded seams
- Increased tub opening for better access
- Concealed hinges

- Plexiglass viewing window
- Doors are interchangeable and easily removable
- Grounding provisions provided on tub only
- 1/4-turn semi-flush oil tight latches are supplied to hold door securely closed
- Print pocket is provided
- Doors are sealed with poured-in-place polyurethane gasket**
- Mounting holes in rear of enclosure
- Studs for mounting **optional** back panel (the Ultimate back panels have increased in size to accommodate larger foot-print installations)

Finish

- ANSI 61 gray polyester powder inside and out

- An optional RAL7035 Textured light-gray polyester powder finish is available, but is made to order only. (Consult Factory) An "LG" is all that is needed to order product.***
- **Optional** back panels are white polyester powder
- **Optional** "G" panels have a conductive finish (See page 15)

Accessories

- Back panels (see reference tables)
- See pages J1-J22. See pages J20-J22 for ULTIMATE Series Accessories
- **Optional** N412MFK mounting foot kit must be ordered separately

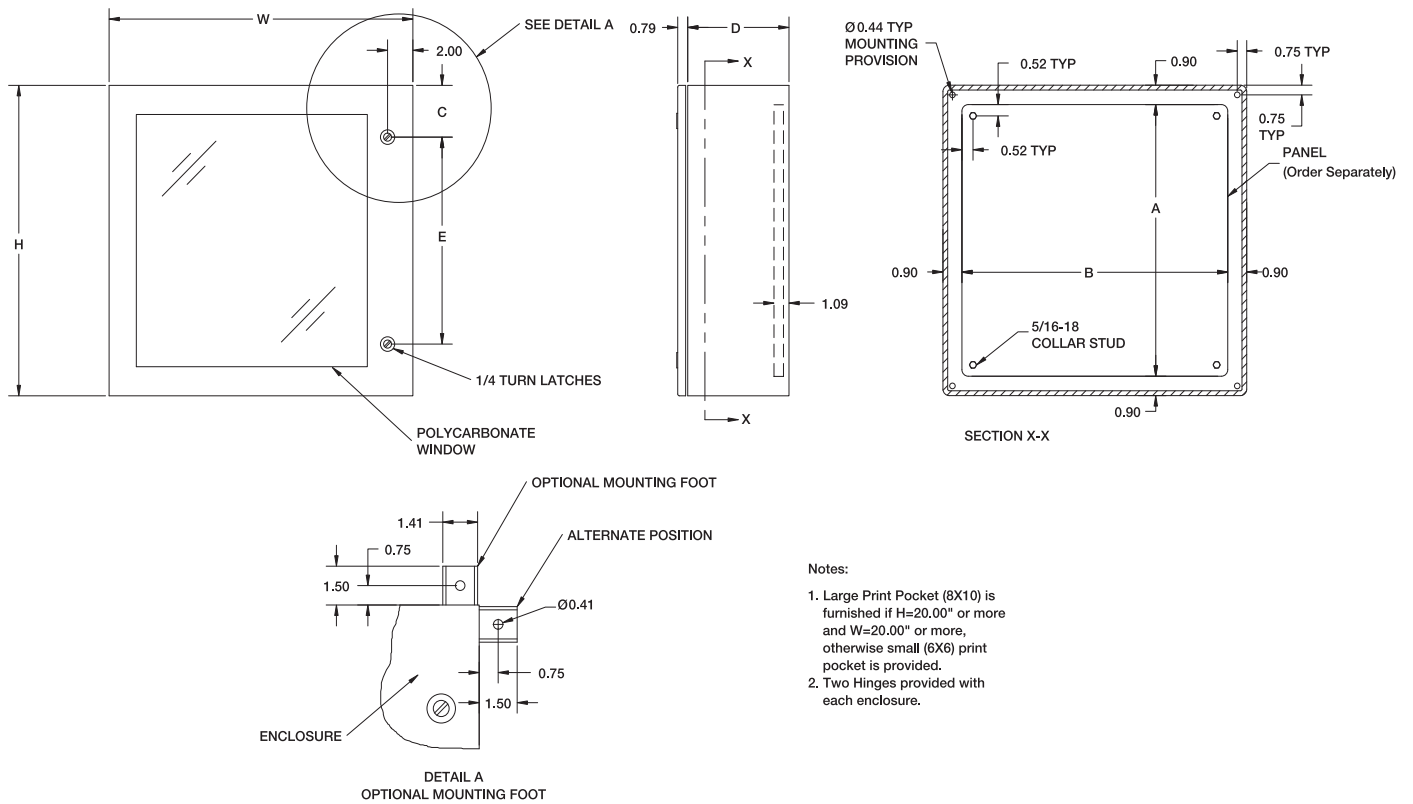
N412 - WC ULTIMATE SERIES ENCLOSURES NEMA 4 & 12 SINGLE DOOR WALL-MOUNT WITH WINDOW

N412-WC ULTIMATE SERIES ENCLOSURES NEMA 4 & 12 SINGLE DOOR WALL-MOUNT WITH WINDOW								
CATALOG NUMBER	BODY/DOOR STEEL GAUGE	ENCLOSURE SIZE H X W X D	VIEWABLE WINDOW AREA	BACK PANEL CATALOG NUMBER*		BACK PANEL SIZE A & B	C	E
				WHITE	"G"			
N412121206WC	14/14	12.00x12.00x6.00 (305x305x152)	7.50x6.25 (191x159)	NP1212C	NP1212CG	10.2x10.2 (259x259)	6.00 (152)	—
N412161206WC	14/14	16.00x12.00x6.00 (406x305x152)	11.50x6.25 (292x159)	NP1612C	NP1612CG	14.2x10.2 (361x259)	8.00 (203)	—
N412201606WC	14/14	20.00x16.00x6.00 (406x406x152)	15.50x10.25 (394x260)	NP2016C	NP2016CG	18.2x14.2 (462x361)	10.00 (254)	—
N412202006WC	14/14	20.00x20.00x6.00 (406x508x152)	15.50x14.25 (394x362)	NP2020C	NP2020CG	18.2x18.2 (462x462)	10.00 (254)	—
N412242006WC	14/14	24.00x20.00x6.00 (508x406x152)	19.50x14.25 (495x362)	NP2420C	NP2420CG	22.2x18.2 (564x462)	12.00 (305)	—
N412242406WC	14/14	24.00x24.00x6.00 (508x508x152)	19.50x18.25 (495x464)	NP2424C	NP2424CG	22.2x22.2 (564x564)	4.00 (102)	16.00 (406)
N412302406WC	14/14	30.00x24.00x6.00 (610x406x152)	25.50x18.25 (648x464)	NP3024C	NP3024CG	28.2x22.2 (716x564)	4.00 (102)	22.00 (559)
N412121208WC	14/14	12.00x12.00x8.00 (610x508x152)	7.50x6.25 (191x159)	NP1212C	NP1212CG	10.2x10.2 (259x259)	6.00 (152)	—
N412161208WC	14/14	16.00x12.00x8.00 (610x610x152)	11.50x6.25 (292x159)	NP1612C	NP1612CG	14.2x10.2 (361x259)	8.00 (203)	—
N412201608WC	14/14	20.00x16.00x8.00 (406x305x203)	15.50x10.25 (394x260)	NP2016C	NP2016CG	18.2x14.2 (462x361)	10.00 (254)	—
N412202008WC	14/14	20.00x20.00x8.00 (406x406x203)	15.50x14.25 (394x362)	NP2020C	NP2020CG	18.2x18.2 (462x462)	10.00 (254)	—
N412242008WC	14/14	24.00x20.00x8.00 (406x508x203)	19.50x14.25 (495x362)	NP2420C	NP2420CG	22.2x18.2 (564x462)	12.00 (305)	—
N412242408WC	14/14	24.00x24.00x8.00 (508x406x203)	19.50x18.25 (495x464)	NP2424C	NP2424CG	22.2x22.2 (564x564)	4.00 (102)	16.00 (406)
N412302408WC	14/14	30.00x24.00x8.00 (508x508x203)	25.50x18.25 (648x464)	NP3024C	NP3024CG	28.2x22.2 (716x564)	4.00 (102)	22.00 (559)
N412161210WC	14/14	16.00x12.00x10.00 (508x610x203)	11.50x6.25 (292x159)	NP1612C	NP1612CG	14.2x10.2 (361x259)	8.00 (203)	—
N412201610WC	14/14	20.00x16.00x10.00 (508x406x203)	15.50x10.25 (394x260)	NP2016C	NP2016CG	18.2x14.2 (462x361)	10.00 (254)	—
N412202010WC	14/14	20.00x20.00x10.00 (508x508x203)	15.50x14.25 (394x362)	NP2020C	NP2020CG	18.2x18.2 (462x462)	10.00 (254)	—
N412242010WC	14/14	24.00x20.00x10.00 (610x508x203)	19.50x14.25 (495x362)	NP2420C	NP2420CG	22.2x18.2 (564x462)	12.00 (305)	—
N412242410WC	14/14	24.00x24.00x10.00 (610x610x203)	19.50x18.25 (495x464)	NP2424C	NP2424CG	22.2x22.2 (564x564)	4.00 (102)	16.00 (406)
N412302410WC	14/14	30.00x24.00x10.00 (762x610x203)	25.50x18.25 (648x464)	NP3024C	NP3024CG	28.2x22.2 (716x564)	4.00 (102)	22.00 (559)
N412202012WC	14/14	20.00x20.00x12.00 (508x508x203)	15.50x14.25 (394x362)	NP2020C	NP2020CG	18.2x18.2 (462x462)	10.00 (254)	—
N412242012WC	14/14	24.00x20.00x12.00 (610x508x203)	19.50x14.25 (495x362)	NP2420C	NP2420CG	22.2x18.2 (564x462)	12.00 (305)	—
N412242412WC	14/14	24.00x24.00x12.00 (610x610x203)	19.50x18.25 (495x464)	NP2424C	NP2424CG	22.2x22.2 (564x564)	4.00 (102)	16.00 (406)
N412302412WC	14/14	30.00x24.00x12.00 (762x610x203)	25.50x18.25 (648x464)	NP3024C	NP3024CG	28.2x22.2 (716x564)	4.00 (102)	22.00 (559)
N412242416WC**	14/14	24.00x24.00x16.00 (610x610x203)	19.50x18.25 (495x464)	NP2424C	NP2424CG	22.2x22.2 (564x564)	4.00 (102)	16.00 (406)
N412242420WC**	14/14	24.00x24.00x20.00 (610x610x305)	19.50x18.25 (495x464)	NP2424C	NP2424CG	22.2x22.2 (564x564)	4.00 (102)	16.00 (406)
N412302420WC**	14/14	30.00x24.00x20.00 (610x610x305)	19.50x18.25 (495x464)	NP3024C	NP3024CG	28.2x22.2 (716x564)	4.00 (102)	22.00 (559)

*Back panels must be ordered separately.

**Enclosures are supplied with closed cell neoprene gasket (not foam-in-place).

***An optional RAL7035 Textured light-gray polyester powder finish is available, but is made to order only. (Consult Factory) An "LG" is all that is needed to order product.



N412 - 3PTC ULTIMATE SERIES ENCLOSURES NEMA 4 SINGLE DOOR WALL MOUNT



N4122416083PTC

Industry Standards

UL 508 Listed, Types 4 & 12
CSA Certified, Types 4 & 12
NEMA/EEMAC Type 4, 12 & 13

Wall mounting brackets required to maintain UL/CSA external mounting requirements.

 UL File E64791

 CSA File LL66078

FEATURES-SPECIFICATIONS

Applications

Hubbell Wiegmann N4123PTC ULTIMATE Series Enclosures are designed to house and protect electrical and electronic components from harsh, dirty environments. For use in installations where dirt, dust, oil, water, or other contaminants are present. Streamlined styling, flush latching, and attractive durable finish complement any high tech electronic equipment.

Construction

- Bodies and doors fabricated from 14 gauge steel.
- Continuously welded seams ground smooth, less holes or knockouts.

- Body stiffeners are included in larger enclosures for added rigidity.
- Doors are interchangeable and easily removable.
- Grounding studs are welded to door and body assuring a positive ground.
- Print pocket is provided.
- Doors are sealed with poured-in-place gasket**
- Mounting holes in rear of enclosure.
- Collar studs for mounting optional back panel.
- With 3pt Keylocking/padlocking Combo Handle

Finish

- ANSI 61 gray polyester powder inside and out
- Optional back panels are white polyester powder
- Optional "G" panels have a conductive finish (See page I5)

Accessories

- Optional N412MFK mounting foot kit must be ordered separately
- Back panels (see reference tables)
- Window door (reference tables)
- See pages J1-J22.

N412-3PTC ULTIMATE SERIES ENCLOSURES NEMA 4 SINGLE DOOR WALL-MOUNT						
CATALOG NUMBER	BODY/DOOR STEEL GAUGE	ENCLOSURE SIZE H X W X D	BACK PANEL CATALOG NUMBER*		DOOR & BOX STIFFENERS	BACK PANEL SIZE A & B
			WHITE	"G"		
N4121212063PTC	14/14	12.00x12.00x6.00 (305x305x152)	NP1212C	NP1212CG	No	10.2x10.2 (259x259)
N4121612063PTC	14/14	16.00x12.00x6.00 (406x305x152)	NP1612C	NP1612CG	No	14.2x10.2 (361x259)
N4121616063PTC	14/14	16.00x16.00x6.00 (406x406x152)	NP1616C	NP1616CG	No	14.2x14.2 (361x361)
N4121620063PTC	14/14	16.00x20.00x6.00 (406x508x152)	NP1620C	NP1620CG	No	14.2x18.2 (361x462)
N4122016063PTC	14/14	20.00x16.00x6.00 (508x406x152)	NP2016C	NP2016CG	No	18.2x14.2 (462x361)
N4122020063PTC	14/14	20.00x20.00x6.00 (508x508x152)	NP2020C	NP2020CG	No	18.2x18.2 (462x462)
N4122416063PTC	14/14	24.00x16.00x6.00 (610x406x152)	NP2416C	NP2416CG	No	22.2x14.2 (564x361)
N4122420063PTC	14/14	24.00x20.00x6.00 (610x508x152)	NP2420C	NP2420CG	No	22.2x18.2 (564x462)
N4122424063PTC	14/14	24.00x24.00x6.00 (610x610x152)	NP2424C	NP2424CG	No	22.2x22.2 (564x564)
N4121612083PTC	14/14	16.00x12.00x8.00 (406x305x203)	NP1612C	NP1612CG	No	14.2x10.2 (361x259)
N4121616083PTC	14/14	16.00x16.00x8.00 (406x406x203)	NP1616C	NP1616CG	No	14.2x14.2 (361x361)
N4121620083PTC	14/14	16.00x20.00x8.00 (406x508x203)	NP1620C	NP1620CG	No	14.2x18.2 (361x462)
N4122016083PTC	14/14	20.00x16.00x8.00 (508x406x203)	NP2016C	NP2016CG	No	18.2x14.2 (462x361)
N4122020083PTC	14/14	20.00x20.00x8.00 (508x508x203)	NP2020C	NP2020CG	No	18.2x18.2 (462x462)
N4122024083PTC	14/14	20.00x24.00x8.00 (508x610x203)	NP2024C	NP2024CG	No	18.2x22.2 (462x564)
N4122416083PTC	14/14	24.00x16.00x8.00 (406x305x203)	NP2416C	NP2416CG	No	22.2x14.2 (564x361)
N4122420083PTC	14/14	24.00x20.00x8.00 (610x508x203)	NP2420C	NP2420CG	No	22.2x18.2 (564x462)
N4122424083PTC	14/14	24.00x24.00x8.00 (610x610x203)	NP2424C	NP2424CG	No	22.2x22.2 (564x564)
N4122430083PTC	14/14	24.00x30.00x8.00 (610x762x203)	NP2430C	NP2430CG	No	22.2x28.2 (564x716)

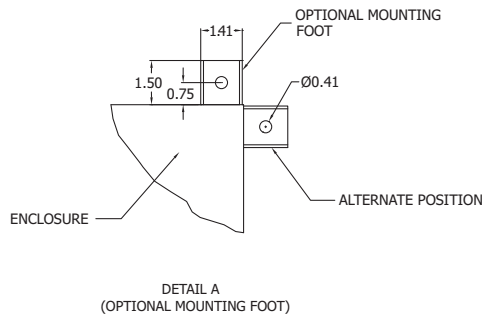
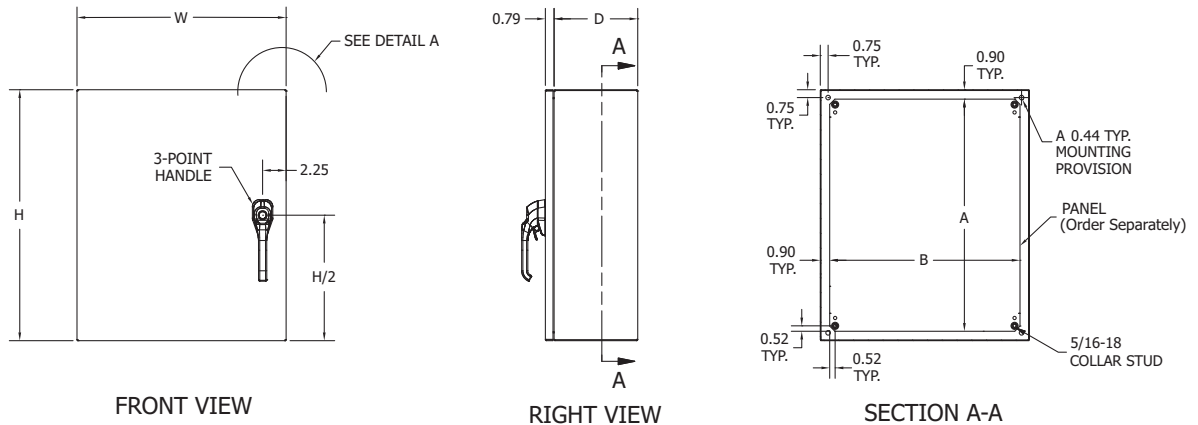
*Back panels must be ordered separately.

**Enclosures are supplied with closed cell neoprene gasket (not foam-in-place).

N412-3PTC ULTIMATE SERIES ENCLOSURES NEMA 4 SINGLE DOOR WALL-MOUNT CONT'D.						
CATALOG NUMBER	BODY/DOOR STEEL GAUGE	ENCLOSURE SIZE H X W X D	BACK PANEL CATALOG NUMBER*		DOOR & BOX STIFFENERS	BACK PANEL SIZE A & B
			WHITE	"G"		
N4123020083PTC	14/14	30.00x20.00x8.00 (762x508x203)	NP3020C	NP3020CG	No	28.2x18.2 (716x464)
N4123024083PTC	14/14	30.00x24.00x8.00 (762x610x203)	NP3024C	NP3024CG	No	28.2x22.2 (716x564)
N4123030083PTC	14/14	30.00x30.00x8.00 (762x762x203)	NP3030C	NP3030CG	No	28.2x28.2 (716x716)
N4123624083PTC	14/14	36.00x24.00x8.00 (914x610x203)	NP3624C	NP3624CG	No	34.2x22.2 (869x564)
N4123630083PTC	14/14	36.00x30.00x8.00 (914x508x305)	NP3630C	NP3630CG	No	34.2x28.2 (869x716)
N4123636083PTC	14/14	36.00x36.00x8.00 (914x914x203)	NP3636C	NP3636CG	No	34.2x34.2 (869x869)
N4122020123PTC	14/14	20.00x20.00x12.00 (508x508x305)	NP2020C	NP2020CG	No	18.2x18.2 (462x462)
N4122420123PTC	14/14	24.00x20.00x12.00 (610x508x305)	NP2420C	NP2420CG	No	22.2x18.2 (564x462)
N4122424123PTC	14/14	24.00x24.00x12.00 (610x610x305)	NP2424C	NP2424CG	No	22.2x22.2 (564x564)
N4123024123PTC	14/14	30.00x24.00x12.00 (762x610x305)	NP3024C	NP3024CG	No	28.2x22.2 (716x564)
N4123030123PTC	14/14	30.00x30.00x12.00 (762x762x305)	NP3030C	NP3030CG	No	28.2x28.2 (716x716)
N4123624123PTC	14/14	36.00x24.00x12.00 (914x610x305)	NP3624C	NP3624CG	No	34.2x22.2 (869x564)
N4123630123PTC	14/14	36.00x30.00x12.00 (914x762x305)	NP3630C	NP3630CG	No	34.2x28.2 (869x716)
N4123636123PTC	14/14	36.00x36.00x12.00 (914x914x305)	NP3636C	NP3636CG	No	34.2x34.2 (869x869)
N4124024123PTC	14/14	40.00x24.00x12.00 (1016x610x305)	NP4024C	NP4024CG	No	38.2x22.2 (970x564)
N4124236123PTC	14/14	42.00x36.00x12.00 (1067x914x305)	NP4236C	NP4236CG	No	40.2x34.2 (1021x869)
N4124824123PTC**	14/14	48.00x24.00x12.00 (1219x610x305)	NP4824C	NP4824CG	No	46.2x22.2 (1173x564)
N4124836123PTC**	14/14	48.00x36.00x12.00 (1219x914x305)	NP4836C	NP4836CG	No	46.2x34.2 (1173x869)
N4126036123PTC**	14/14	60.00x36.00x12.00 (1524x914x305)	NP6036C	NP6036CG	No	58.2x34.2 (1478x869)
N4122424163PTC**	14/14	24.00x24.00x16.00 (610x610x406)	NP2424C	NP2424CG	No	22.2x22.2 (564x564)
N4123630163PTC**	14/14	36.00x30.00x16.00 (914x762x406)	NP3630C	NP3630CG	No	34.2x28.2 (869x716)
N4124836163PTC**	14/14	48.00x36.00x16.00 (1219x914x406)	NP4836C	NP4836CG	No	46.2x34.2 (1173x869)
N4122424203PTC**	14/14	24.00x24.00x20.00 (610x610x508)	NP2424C	NP2424CG	No	22.2x22.2 (564x564)
N4123024203PTC**	14/14	30.00x24.00x20.00 (762x610x508)	NP3024C	NP3024CG	No	28.2x22.2 (716x564)
N4123630203PTC**	14/14	36.00x30.00x20.00 (914x762x508)	NP3630C	NP3630CG	No	34.2x28.2 (869x716)

*Back panels must be ordered separately.

**Enclosures are supplied with closed cell neoprene gasket (not foam-in-place).



Notes:

1. Large Print Pocket (8 X 10) is furnished if H=20.00" or more and W=20.00" or more. Otherwise, small (6 X 6) print pocket is provided.
2. Two Hinges provided when H<36.00".
Three Hinges provided when H=36.00" or greater.
Four Hinges provided when H=48.00" or greater.

N412 - CST ULTIMATE SERIES ENCLOSURES NEMA 4 & 12 CARBON STEEL SLOPE TOP SINGLE DOOR



N412241608CST

Industry Standards

UL 508 Listed, Types 4 & 12
CSA Certified, Types 4 & 12
NEMA/EEMAC Type 4, 12 & 13

Wall mounting brackets required to maintain UL/CSA external mounting requirements.

 UL File E64791

 CSA File LL66078

FEATURES-SPECIFICATIONS

Applications

Hubbell Wiegmann N412CST ULTIMATE Series Enclosures are designed to house and protect electrical and electronic components from harsh, dirty environments. For use in installations where dirt, dust, oil, water, or other contaminants are present. Streamlined styling, flush latching, and attractive durable finish complement any high tech electronic equipment.

Construction

- Bodies and doors fabricated from 14 gauge steel.
- Continuously Plasma welded seams.
- Increased tub opening for better access.

- 20° sloped top.
- Sloped "Top tub flange".
- Concealed hinges.
- Doors are interchangeable and easily removable.
- Grounding provisions provided.
- 1/4-turn semi-flush oil tight latches are supplied to hold door securely closed.
- Print pocket is provided.
- Doors are sealed with poured-in-place polyurethane gasket.**
- Mounting holes in rear of enclosure.
- Studs for mounting optional back panel (the Ultimate back panels have increased in size to accommodate larger foot-print installations).

- Ultimate Accessory Driven. (See pages J20-J22)

Finish

- ANSI 61 gray polyester powder inside and out.
- Optional back panels are white polyester powder.
- Optional "G" panels have a conductive finish (See page I5)

Accessories

- Optional N412MFK mounting foot kit must be ordered separately
- See pages J1-J22.

N412-CST ULTIMATE SERIES ENCLOSURES NEMA 4 SINGLE DOOR WALL-MOUNT							
CATALOG NUMBER	BODY/DOOR STEEL GAUGE	ENCLOSURE SIZE H X W X D	BACK PANEL CATALOG NUMBER*		BACK PANEL SIZE A & B	C	E
			WHITE	"G"			
N412121206CST	14/14	12.00x12.00x6.00 (305x305x152)	NP1212C	NP1212CG	10.2x10.2 (259x259)	6.00 (152)	—
N412161206CST	14/14	16.00x12.00x6.00 (406x305x152)	NP1612C	NP1612CG	14.2x10.2 (361x259)	8.00 (203)	—
N412201606CST	14/14	20.00x16.00x6.00 (508x406x152)	NP2016C	NP2016CG	18.2x14.2 (462x361)	10.00 (254)	—
N412202006CST	14/14	20.00x20.00x6.00 (508x508x152)	NP2020C	NP2020CG	18.2x18.2 (462x462)	10.00 (254)	—
N412161608CST	14/14	16.00x16.00x8.00 (406x406x203)	NP1616C	NP1616CG	14.2x14.2 (361x361)	8.00 (203)	—
N412201608CST	14/14	20.00x16.00x8.00 (508x406x203)	NP2016C	NP2016CG	18.2x14.2 (462x361)	10.00 (254)	—
N412202008CST	14/14	20.00x20.00x8.00 (508x508x203)	NP2020C	NP2020CG	18.2x18.2 (462x462)	10.00 (254)	—
N412242008CST	14/14	24.00x20.00x8.00 (610x508x203)	NP2420C	NP2420CG	22.2x18.2 (564x462)	12.00 (305)	—
N412242408CST	14/14	24.00x24.00x8.00 (610x610x203)	NP2424C	NP2424CG	22.2x22.2 (564x564)	4.00 (102)	16.00 (406)
N412302408CST	14/14	30.00x24.00x8.00 (762x610x203)	NP3024C	NP3024CG	28.2x22.2 (716x564)	4.00 (102)	28.00 (711)
N412303008CST	14/14	30.00x30.00x8.00 (762x762x203)	NP3030C	NP3030CG	28.2x28.2 (716x716)	4.00 (102)	22.00 (559)
N412363008CST	14/14	36.00x30.00x8.00 (914x508x305)	NP3630C	NP3630CG	34.2x28.2 (869x716)	4.00 (102)	28.00 (711)
N412242410CST	14/14	24.00x24.00x10.00 (610x610x254)	NP2424C	NP2424CG	22.2x22.2 (564x564)	4.00 (102)	16.00 (406)
N412302410CST	14/14	30.00x24.00x10.00 (762x610x254)	NP3024C	NP3024CG	28.2x22.2 (716x564)	4.00 (102)	22.00 (559)
N412363010CST	14/14	36.00x30.00x10.00 (914x762x254)	NP3630C	NP3630CG	34.2x28.2 (869x716)	4.00 (102)	28.00 (711)
N412483610CST	14/14	48.00x36.00x10.00 (1219x914x254)	NP4836C	NP4836CG	46.2x34.2 (1173x869)	24.00 (610)	—
N412242412CST	14/14	24.00x24.00x12.00 (610x610x305)	NP2424C	NP2424CG	22.2x22.2 (564x564)	4.00 (102)	16.00 (406)
N412302412CST	14/14	30.00x24.00x12.00 (762x610x305)	NP3024C	NP3024CG	28.2x22.2 (716x564)	4.00 (102)	22.00 (559)
N412363012CST	14/14	36.00x30.00x12.00 (914x762x305)	NP3630C	NP3630CG	34.2x28.2 (869x716)	4.00 (102)	28.00 (711)

*Back panels must be ordered separately.

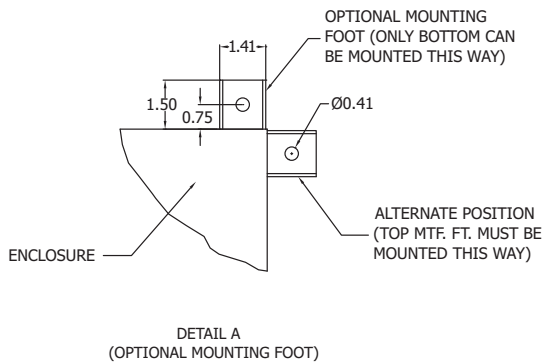
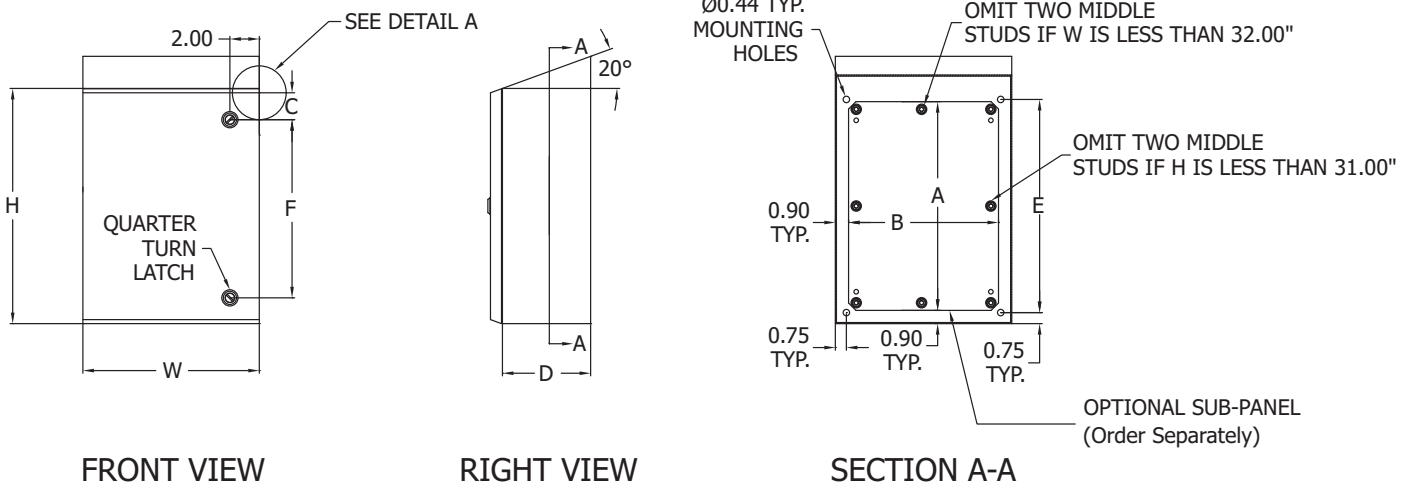
N412 - CST ULTIMATE SERIES ENCLOSURES NEMA 4 & 12 CARBON STEEL SLOPE TOP SINGLE DOOR

D17

N412 - CST ULTIMATE SERIES ENCLOSURES NEMA 4 & 12 CARBON STEEL SLOPE TOP SINGLE DOOR (CONT.)							
CATALOG NUMBER	BODY/DOOR STEEL GAUGE	ENCLOSURE SIZE H X W X D	BACK PANEL CATALOG NUMBER*		BACK PANEL SIZE A & B	C	E
			WHITE	"G"			
N412363612CST	14/14	36.00x36.00x12.00 (914x914x305)	NP3636C	NP3636CG	34.2x34.2 (869x869)	4.00 (102)	28.00 (711)
N412483612CST	14/14	48.00x36.00x12.00 (1219x914x305)	NP4836C	NP4836CG	46.2x34.2 (1173x869)	24.00 (610)	16.00 (406)
N412603612CST**	14/14	60.00x36.00x12.00 (1524x914x305)	NP6036C	NP6036CG	58.2x34.2 (1478x869)	30.00 (762)	28.00 (711)
N412363016CST**	14/14	36.00x30.00x16.00 (914x762x406)	NP3630C	NP3630CG	34.2x28.2 (869x716)	4.00 (102)	16.00 (406)
N412483616CST**	14/14	48.00x36.00x16.00 (1219x914x406)	NP4836C	NP4836CG	46.2x34.2 (1173x869)	24.00 (610)	22.00 (559)
N412302420CST**	14/14	30.00x24.00x20.00 (762x610x508)	NP3024C	NP3024CG	28.2x22.2 (716x564)	4.00 (102)	16.00 (406)

*Back panels must be ordered separately.

**Enclosures are supplied with closed cell neoprene gasket (not foam-in-place).



Notes:

1. Large Print Pocket (8 X 10) is furnished if H=20.00" or more and W=20.00" or more. Otherwise, small (6 X 6) print pocket is provided.
2. Two Hinges provided with H<36.00". Three Hinges provided when H=36.00" or greater. Four Hinges provided when H=48.00" or greater.

N4 SERIES ENCLOSURES NEMA 4 SINGLE DOOR WALL-MOUNT



N4161206

Industry Standards

UL 508, Types 4, 12 & 13
CSA Certified, Types 4 & 12
NEMA/EEMAC Type 4, 12 & 13



FEATURES-SPECIFICATIONS

Applications

Intended for use in housing electrical and electronic controls, instruments, components, and associated wiring, these enclosures incorporate hinged doors which provide convenient access. Designed for indoor or outdoor use in protecting components from dust, dirt, oil, and hose directed water.

Construction

- Bodies and doors fabricated from 14 gauge steel
- Continuously plasma welded seams
- Door and body stiffeners are provided in larger enclosures for extra rigidity

- Rolled lip on three sides of door and all sides of enclosure opening is provided to exclude liquids and contaminants
- Quick and easy to operate stainless steel door clamps are provided
- Doors are removable by pulling stainless steel continuous hinge pin
- Hasp and staple for padlocking
- Print pocket is provided
- Doors are sealed with poured-in-place polyurethane gasket**
- Collar studs provided for mounting optional back panels
- External mounting feet for mounting enclosure

- Grounding provisions provided
- Optional back panels must be ordered separately

Finish

- ANSI-61 polyester powder inside and outside
- Optional back panels are white polyester powder
- Optional "G" panels have a conductive finish (See page I4)

Accessories

- Back panels (reference tables)
- See pages J1-J22

N4 SERIES SINGLE DOOR ENCLOSURES								
CATALOG NUMBER	BODY/DOOR STEEL GAUGE	ENCLOSURE SIZE H X W X D	BACK PANEL CATALOG NUMBER*		BACK PANEL SIZE A X B	STIFFENER		E
			WHITE	"G"		DOOR	BODY	
N4161206	14/14	16.00x12.00x6.00 (406x305x152)	NP1612	NP1612G	13.00x9.00 (330x229)	No	No	—
N4161606	14/14	16.00x16.00x6.00 (406x406x152)	NP1616	NP1616G	13.00x13.00 (330x330)	No	No	—
N4162006	14/14	16.00x20.00x6.00 (406x508x152)	NP2016	NP2016G	13.00x17.00 (330x432)	No	No	—
N4201606	14/14	20.00x16.00x6.00 (508x406x152)	NP2016	NP2016G	17.00x13.00 (432x330)	No	No	—
N4202006	14/14	20.00x20.00x6.00 (508x508x152)	NP2020	NP2020G	17.00x17.00 (432x432)	No	No	—
N4241206	14/14	24.00x12.00x6.00 (610x305x152)	NP2412	NP2412G	21.00x9.00 (533x229)	No	No	4.313 (110)
N4241606	14/14	24.00x16.00x6.00 (610x406x152)	NP2416	NP2416G	21.00x13.00 (533x330)	No	No	4.313 (110)
N4242006	14/14	24.00x20.00x6.00 (610x508x152)	NP2420	NP2420G	21.00x17.00 (533x432)	No	No	4.313 (110)
N4242406	14/14	24.00x24.00x6.00 (610x610x152)	NP2424	NP2424G	21.00x21.00 (533x533)	No	No	4.313 (110)
N4302006	14/14	30.00x20.00x6.00 (762x508x152)	NP3020	NP3020G	27.00x17.00 (686x432)	No	No	5.813 (148)
N4302406	14/14	30.00x24.00x6.00 (762x610x152)	NP3024	NP3024G	27.00x21.00 (686x533)	No	No	5.813 (148)
N4362406	14/14	36.00x24.00x6.00 (914x610x152)	NP3624	NP3624G	33.00x21.00 (838x533)	No	No	7.313 (186)
N4161208	14/14	16.00x12.00x8.00 (406x305x203)	NP1612	NP1612G	13.00x9.00 (330x229)	No	No	—
N4201608	14/14	20.00x16.00x8.00 (508x406x203)	NP2016	NP2016G	17.00x13.00 (432x330)	No	No	—
N4202008	14/14	20.00x20.00x8.00 (508x508x203)	NP2020	NP2020G	17.00x17.00 (432x432)	No	No	—
N4202408	14/14	20.00x24.00x8.00 (508x610x203)	NP2420	NP2420G	21.00x17.00 (533x432)	No	No	—
N4242008	14/14	24.00x20.00x8.00 (610x508x203)	NP2420	NP2420G	21.00x17.00 (533x432)	No	No	4.313 (110)
N4242408	14/14	24.00x24.00x8.00 (610x610x203)	NP2424	NP2424G	21.00x21.00 (533x533)	No	No	4.313 (110)

*Back panels must be ordered separately.

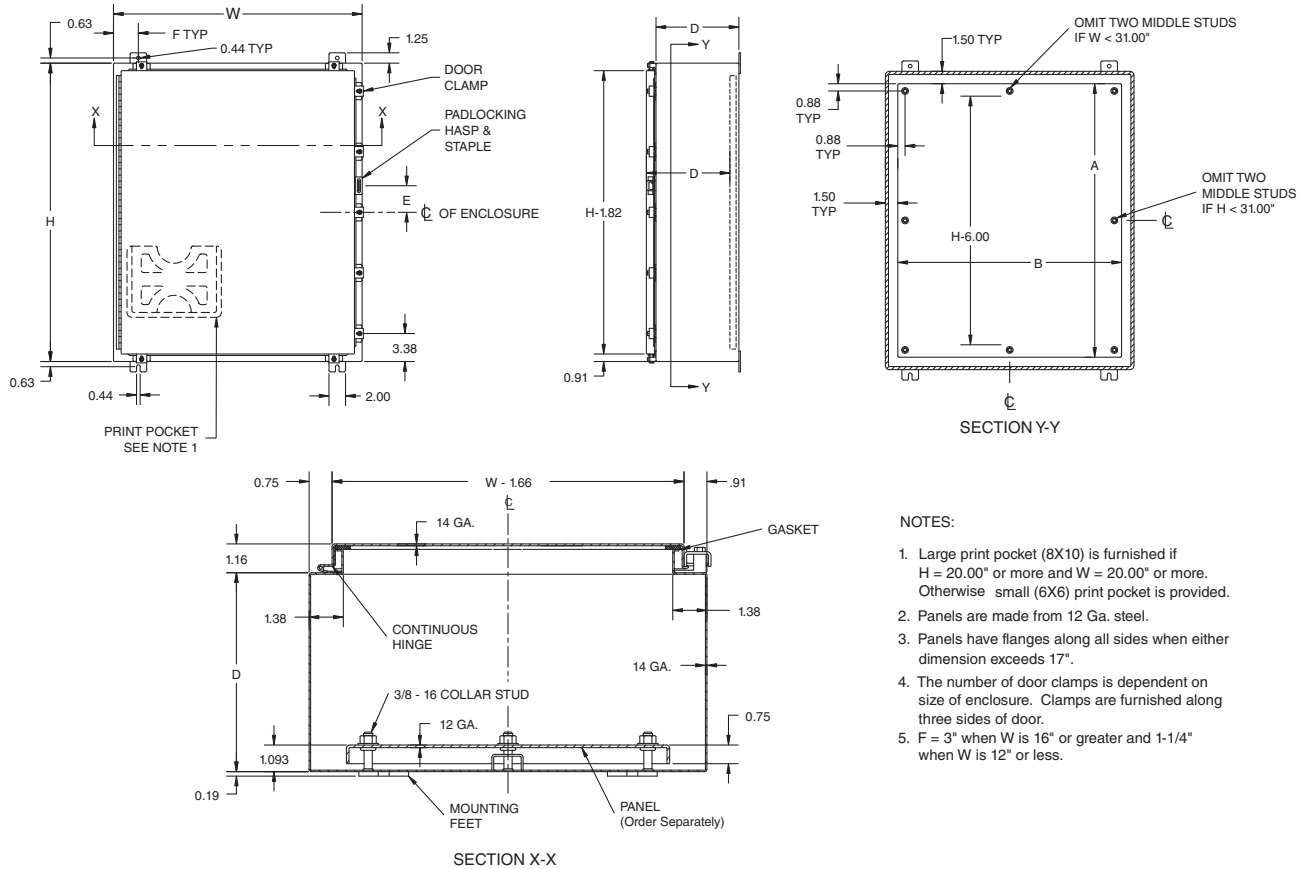
**Enclosures are supplied with closed cell neoprene gasket (not foam-in-place).

Continued on page D19

N4 SERIES SINGLE DOOR ENCLOSURES (CONT.)								
CATALOG NUMBER	BODY/DOOR STEEL GAUGE	ENCLOSURE SIZE H X W X D	BACK PANEL CATALOG NUMBER*		BACK PANEL SIZE A X B	STIFFENER		E
			WHITE	"G"		DOOR	BODY	
N4243008	14/14	24.00x30.00x8.00 (610x762x203)	NP3024	NP3024G	21.00x27.00 (533x686)	No	No	4.313 (110)
N4302008	14/14	30.00x20.00x8.00 (762x508x203)	NP3020	NP3020G	27.00x17.00 (686x432)	No	No	5.813 (148)
N4302408	14/14	30.00x24.00x8.00 (762x610x203)	NP3024	NP3024G	27.00x21.00 (686x533)	No	No	5.813 (148)
N4303008	14/14	30.00x30.00x8.00 (762x762x203)	NP3030	NP3030G	27.00x27.00 (686x686)	No	Yes	5.813 (148)
N4362408	14/14	36.00x24.00x8.00 (914x610x203)	NP3624	NP3624G	33.00x21.00 (838x533)	No	No	7.313 (186)
N4363008	14/14	36.00x30.00x8.00 (914x762x203)	NP3630	NP3630G	33.00x27.00 (838x686)	No	Yes	7.313 (186)
N4423008	14/14	42.00x30.00x8.00 (1067x762x203)	NP4230	NP4230G	39.00x27.00 (991x686)	No	Yes	—
N4423608	14/14	42.00x36.00x8.00 (1067x914x203)	NP4236	NP4236G	39.00x33.00 (991x838)	Yes	Yes	—
N4483608**	14/14	48.00x36.00x8.00 (1219x914x203)	NP4836	NP4836G	45.00x33.00 (1143x838)	Yes	Yes	—
N4603608**	14/14	60.00x36.00x8.00 (1524x914x203)	NP6036	NP6036G	57.00x33.00 (1448x838)	Yes	Yes	6.656 (169)
N4201610	14/14	20.00x16.00x10.00 (508x406x254)	NP2016	NP2016G	17.00x13.00 (432x330)	No	No	—
N4242010	14/14	24.00x20.00x10.00 (610x508x254)	NP2420	NP2420G	21.00x17.00 (533x432)	No	No	4.313 (110)
N4302410	14/14	30.00x24.00x10.00 (762x610x254)	NP3024	NP3024G	27.00x21.00 (686x533)	No	No	5.813 (148)
N4363010	14/14	36.00x30.00x10.00 (914x762x254)	NP3630	NP3630G	33.00x27.00 (838x686)	No	Yes	7.313 (186)
N4483010**	14/14	48.00x30.00x10.00 (1219x762x254)	NP4830	NP4830G	45.00x27.00 (1143x686)	Yes	Yes	—
N4483610**	14/14	48.00x36.00x10.00 (1219x914x254)	NP4836	NP4836G	45.00x33.00 (1143x838)	Yes	Yes	—
N4603610**	14/14	60.00x36.00x10.00 (1524x914x254)	NP6036	NP6036G	57.00x33.00 (1448x838)	Yes	Yes	6.656 (169)
N4302412	14/14	30.00x24.00x12.00 (762x610x305)	NP3024	NP3024G	27.00x21.00 (686x533)	No	No	5.813 (148)
N4363012	14/14	36.00x30.00x12.00 (914x762x305)	NP3630	NP3630G	33.00x27.00 (838x686)	No	Yes	7.313 (186)
N4483612**	14/14	48.00x36.00x12.00 (1219x914x305)	NP4836	NP4836G	45.00x33.00 (1143x838)	Yes	Yes	—
N4363016**	14/14	36.00x30.00x16.00 (914x762x406)	NP3630	NP3630G	33.00x27.00 (838x686)	No	Yes	7.313 (186)
N4483616**	14/14	48.00x36.00x16.00 (1219x914x406)	NP4836	NP4836G	45.00x33.00 (1143x838)	Yes	Yes	—
N4603616**	14/14	60.00x36.00x16.00 (1524x914x406)	NP6036	NP6036G	57.00x33.00 (1448x838)	Yes	Yes	6.656 (169)

*Back panels must be ordered separately.

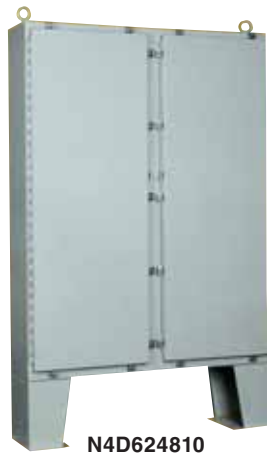
**Enclosures are supplied with closed cell neoprene gasket (not foam-in-place).



NOTES:

1. Large print pocket (8X10) is furnished if H = 20.00" or more and W = 20.00" or more. Otherwise small (6X6) print pocket is provided.
2. Panels are made from 12 Ga. steel.
3. Panels have flanges along all sides when either dimension exceeds 17".
4. The number of door clamps is dependent on size of enclosure. Clamps are furnished along three sides of door.
5. F = 3" when W is 16" or greater and 1-1/4" when W is 12" or less.

**N4D SERIES ENCLOSURES
NEMA 4 FLOOR-MOUNT**



N4D624810

Industry Standards

UL 508, Types 3, 4 & 12
CSA Certified, Type 3, 4 & 12
NEMA/EEMAC Types 3, 4 & 12

 UL File E64791

 CSA File LL66078

FEATURES-SPECIFICATIONS

Applications

Designed to house electrical and electronic controls, components, and instruments in wet non-corrosive environments. Typical applications for these enclosures include dairies, breweries, and other food processing activities that may require hose down. Enclosures are also suitable for outdoor applications.

Construction

- Bodies, doors, and floor stand feet are fabricated from 12 and 10 gauge steel
- Continuously welded seams ground smooth, less knockouts or holes
- X-type body stiffeners are added for extra strength

- Rolled lip around three sides of door and along top of enclosures opening excludes liquids and contaminants from entering
- Quick and easy to operate stainless steel door clamps around three sides of doors are provided
- Heavy gauge continuous hinges are provided to secure doors
- Doors are removable by pulling stainless steel continuous hinge pin
- Hasp and staple are provided for padlocking
- Print pocket is provided
- Standard 12" high floor kits are welded to bottom of enclosure
- Heavy duty removable lifting eyes

- Collar studs for mounting optional panels
- Easily removable center post permits easy panel installations
- Doors are sealed with poured in place polyurethane gasket
- Grounding provisions provided

Finish

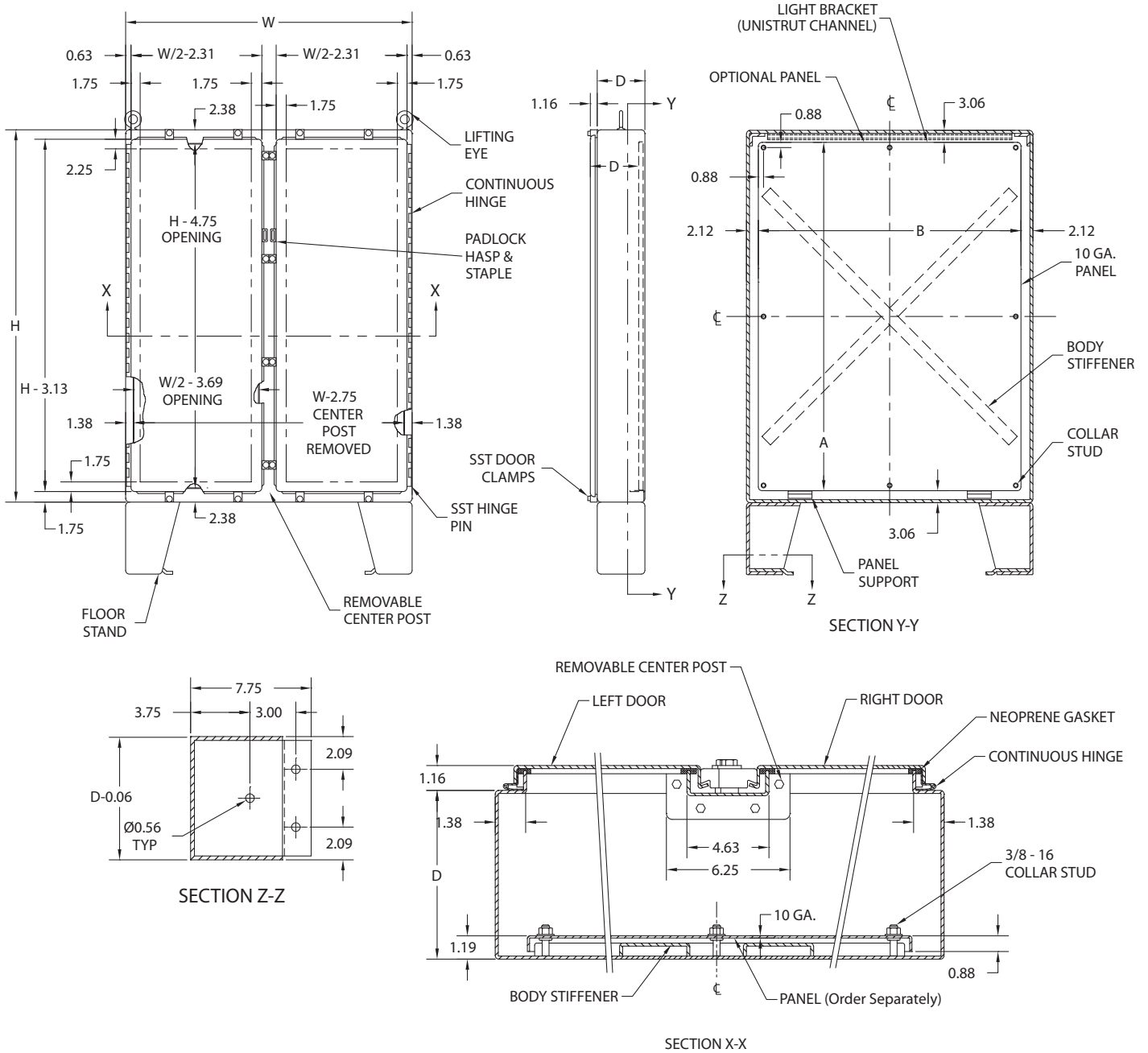
- ANSI-61 gray polyester powder inside and out
- **Optional** back panels are white polyester powder
- **Optional** "G" panels have a conductive finish (See page 17)

Accessories

- Back panels (reference tables)
- See pages J1-J22

N4D SERIES FLOOR-MOUNT ENCLOSURES					
CATALOG NUMBER	BODY/DOOR STEEL GAUGE	ENCLOSURE SIZE H X W X D	BACK PANEL CATALOG NUMBER*		BACK PANEL SIZE A X B
			WHITE	"G"	
N4D624810	12/12	62.12x48.12x10.12 (1578x1222x257)	NPDD6048	NPDD6048G	56.00x44.00 (1422x1118)
N4D626012	12/12	62.12x60.12x12.12 (1578x1527x308)	NPDD6060	NPDD6060G	56.00x56.00 (1422x1422)
N4D746012	12/12	74.12x60.12x12.12 (1883x1527x308)	NPDD7260	NPDD7260G	68.00x56.00 (1727x1422)
N4D747212	10/10	74.12x72.12x12.12 (1883x1832x308)	NPDD7272	NPDD7272G	68.00x68.00 (1727x1727)
N4D747224	10/10	74.12x72.12x24.12 (1883x1832x613)	NPDD7272	NPDD7272G	68.00x68.00 (1727x1727)

*Back panels must be ordered separately.



**N4S - FS SERIES ENCLOSURES
NEMA 4 SINGLE DOOR FREESTANDING**



N4S723724FS

Industry Standards

UL 508, Types 3, 4 & 12
CSA Certified, Type 3, 4 & 12
NEMA/EEMAC Types 3, 4 & 12

 UL File E64791

 CSA File LL66078

FEATURES-SPECIFICATIONS

Applications

Designed to house electrical and electronic controls, terminals, and instruments in areas that are regularly hosed down or are otherwise very wet. Also suitable for outdoor applications.

Construction

- Bodies and doors fabricated from 12 gauge steel
- Continuously welded seams ground smooth, less knockouts or holes
- "Uni-strut" mounting channels are welded horizontally to interior body sides, top, bottom and center
- **Optional** swing, half, full and rack panels can be mounted anywhere along "uni-strut" channel

- Rolled lip around three sides of door and along top of enclosures opening excludes liquids and contaminants from entering
- Quick and easy to operate stainless steel door clamps around three sides of doors
- Heavy gauge continuous hinge with stainless steel hinge pin
- Doors are removable by pulling stainless steel continuous hinge pin
- Hasp and staple are provided for padlocking
- Print pocket is provided
- Heavy duty removable lifting eyes

- Doors are sealed with poured in place polyurethane gasket
- Grounding provisions provided

Finish

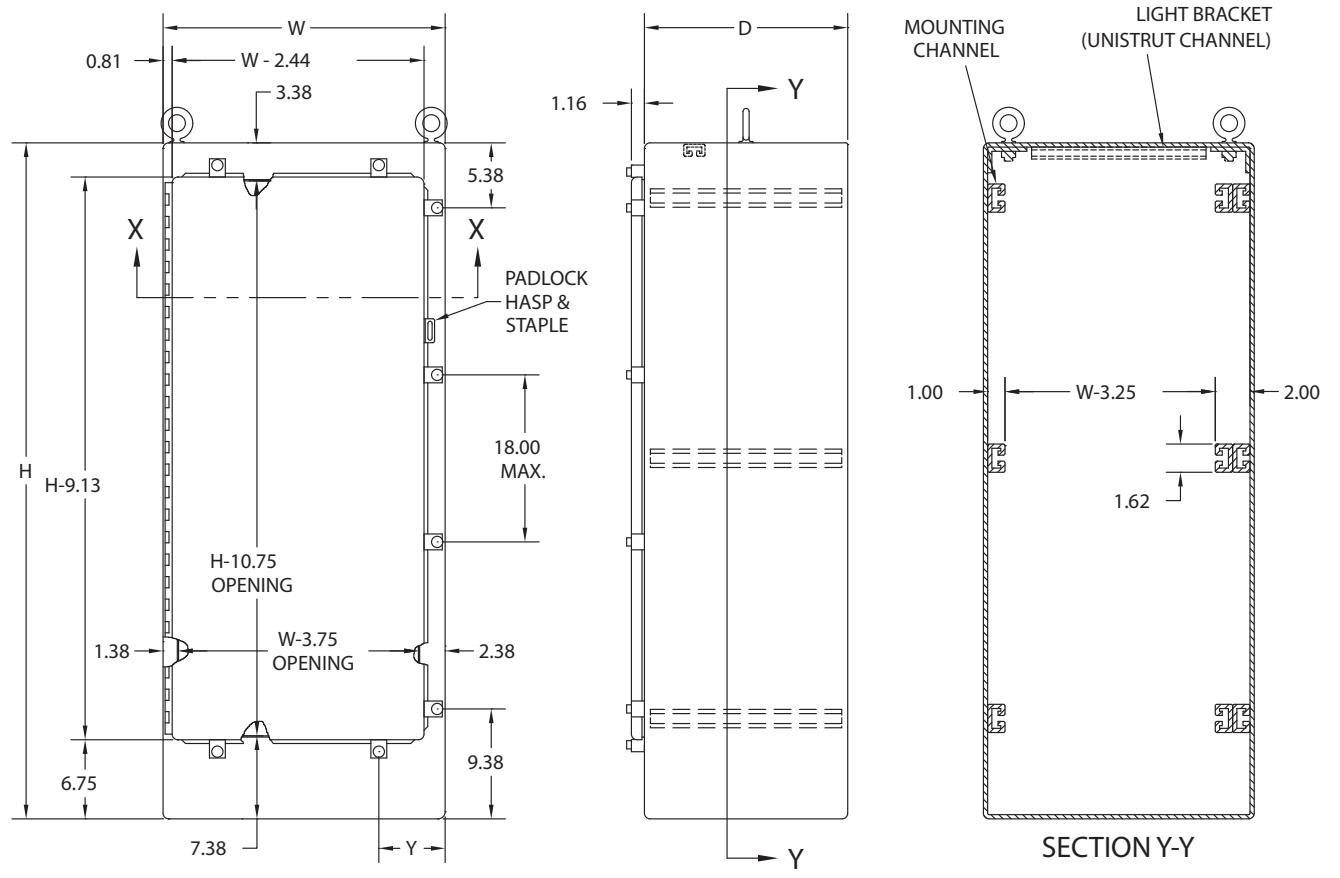
- ANSI-61 gray polyester powder inside and out
- **Optional** back panels are white polyester powder

Accessories

- Back panels (reference tables)
- See pages J1-J22

N4S-FS SERIES SINGLE DOOR ENCLOSURES				
CATALOG NUMBER	BODY/DOOR STEEL GAUGE	ENCLOSURE SIZE H X W X D	Y	BACK PANELS*
N4S722518FS	12/12	72.12x25.12x18.12 (1832x638x460)	6.38 (162)	See pages C30-C32 & I8-I13
N4S723124FS	12/12	72.12x31.12x24.12 (1832x790x613)	8.38 (213)	
N4S723724FS	12/12	72.12x37.12x24.12 (1832x943x613)	10.38 (264)	

*Back panels must be ordered separately.



SECTION X-X
NOT TO SCALE



Industry Standards

UL 508, Types 3, 4 & 12
CSA Certified, Type 12
NEMA/EEMAC Types 3, 4 & 12

 UL File E64791

 CSA File LL66078

FEATURES-SPECIFICATIONS

Applications

Designed to house electrical and electronic controls, components, and instruments in wet non-corrosive environments. Typical applications for these enclosures include dairies, breweries and other food processing activities that may require hose down. Enclosures are also suitable for outdoor applications.

Construction

- Bodies and doors fabricated from 10 gauge steel
- Continuously welded seams ground smooth, less knockouts or holes
- Body stiffeners added for extra strength

- Rolled lip around three sides of door and along top of enclosures opening excludes liquids and contaminants from entering
- 3 PT Keylocking/Padlocking Combo Handle
- Heavy gauge continuous hinges are provided to secure doors
- Doors are removable by pulling stainless steel continuous hinge pin
- Removable print pocket is provided
- Standard 12" high floor kits are welded to bottom of enclosure
- Heavy duty removable lifting eyes
- Collar studs for mounting optional panels
- Easily removable center post permits easy panel installations

- Doors are sealed with poured in place polyurethane gasket
- Grounding provisions provided

Finish

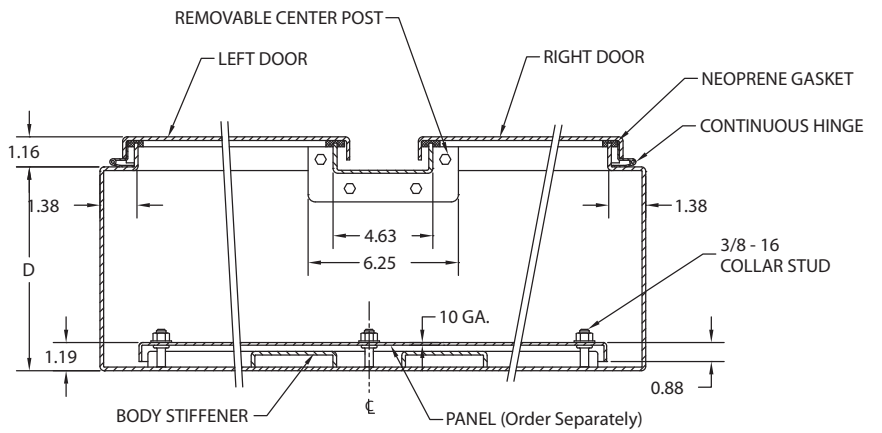
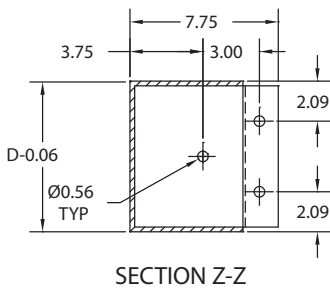
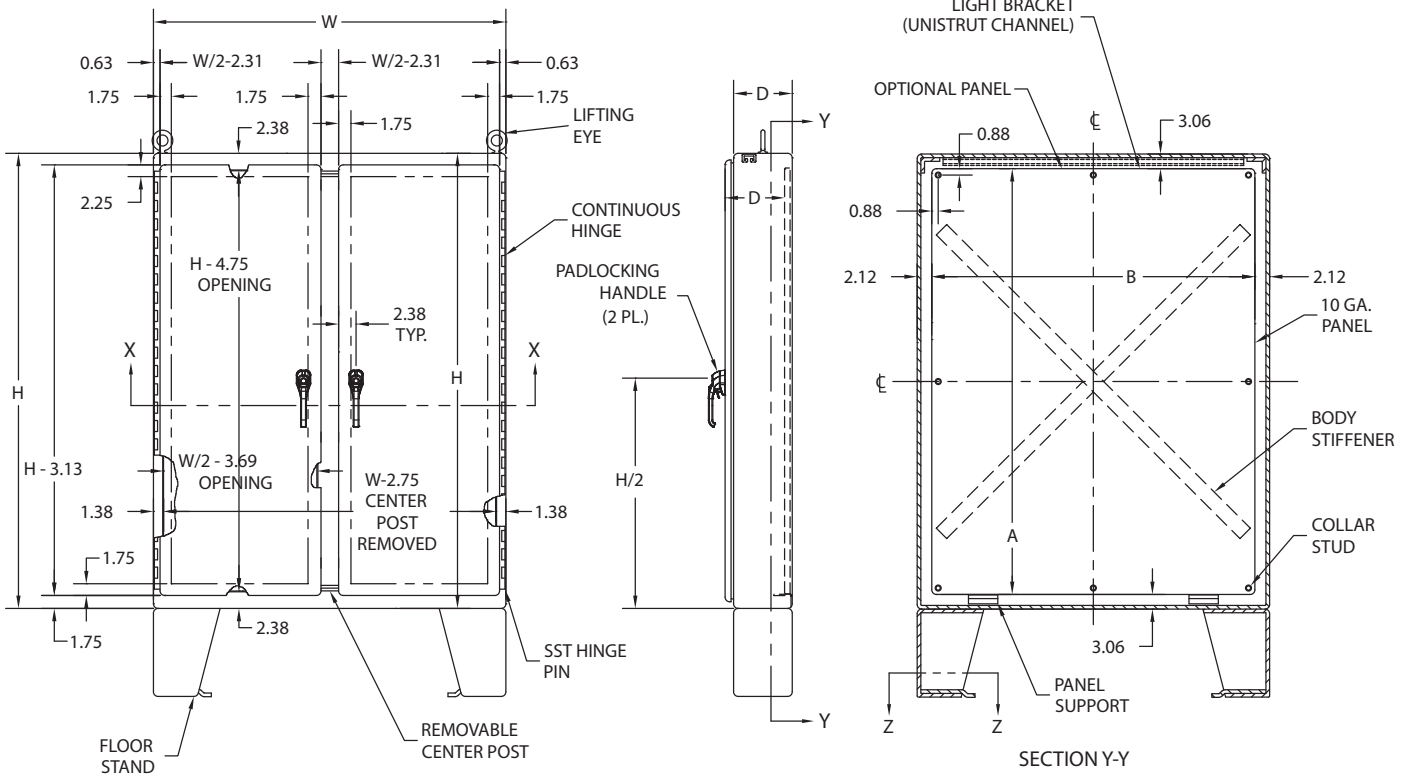
- ANSI-61 gray polyester powder inside and out
- **Optional** back panels are white polyester powder (See page I7)
- **Optional** "G" panels have a conductive finish (See page I7)

Accessories

- Back panels (reference tables)
- See pages J1-J22

N4D-3PT SERIES FLOOR-MOUNT ENCLOSURES					
CATALOG NUMBER	BODY/DOOR STEEL GAUGE	ENCLOSURE SIZE H X W X D	BACK PANEL CATALOG NUMBER*		BACK PANEL SIZE A X B
			WHITE	"G"	
N4D6248103PT	10/10	62.00x48.00x10.00 (1578x1222x257)	NPDD6048	NPDD6048G	56.00x44.00 (1422x1118)
N4D6260123PT	10/10	62.00x60.00x12.00 (1578x1527x308)	NPDD6060	NPDD6060G	56.00x56.00 (1422x1422)
N4D7460123PT	10/10	74.00x60.00x12.00 (1883x1527x308)	NPDD7260	NPDD7260G	68.00x56.00 (1727x1422)
N4D7472123PT	10/10	74.00x72.00x12.00 (1883x1832x308)	NPDD7272	NPDD7272G	68.00x68.00 (1727x1727)
N4D7472243PT	10/10	74.00x72.00x24.00 (1883x1832x613)	NPDD7272	NPDD7272G	68.00x68.00 (1727x1727)

*Back panels must be ordered separately.



SECTION X-X
(HANDLES REMOVED FOR CLARITY)
NOT TO SCALE



Industry Standards

UL 508, Types 3, 4 & 12
CSA Certified, Type 3 & 12
NEMA/EEMAC Types 3, 4 & 12

UL File E64791

CSA File LL66078

FEATURES-SPECIFICATIONS

Applications

Designed to house electrical and electronic controls, terminals, and instruments in areas that are regularly hosed down or are otherwise very wet. Enclosures are also suitable for outdoor applications.

Construction

- Bodies and doors fabricated from 12 gauge steel
- Continuously welded seams ground smooth, less knockouts or holes
- “Uni-strut” mounting channels are welded horizontally to interior body sides, top, bottom and center

- Optional swing, half, full and rack panels can be mounted anywhere along “uni-strut” channel
- Rolled lip around three sides of door and along top of enclosures opening excludes liquids and contaminants from entering
- 3 PT Keylocking/Padlocking Combo Handle
- Heavy gauge continuous hinge with stainless steel hinge pin
- Doors are removable by pulling stainless steel continuous hinge pin
- Removable print pocket is provided
- Heavy duty removable lifting eyes

- Doors are sealed with poured in place polyurethane gasket
- Grounding provisions provided

Finish

- ANSI-61 gray polyester powder inside and out
- Optional back panels are white polyester powder (See pages I8-I13)
- Optional “G” panels have a conductive finish (See pages I8-I13)

Accessories

- Back panels (reference tables)
- See pages J1-J22

WA-FSN43PT SERIES ENCLOSURES NEMA 4 TWO DOOR FLOOR MOUNT						
CATALOG NUMBER	ENCLOSURE SIZE H X W X D	BACK PANEL CATALOG NUMBER*		BACK PANEL SIZE	A	F
		WHITE	“G”			
WA602418FSN43PT	62.00x28.00x18.00 (1578X711X457)	WA60P24F1	WA60P24F1G	48.00X20.00 (1219x508)	23.13 (588)	32.06 (814)
WA603624FSN43PT	62.00x36.00x24.00 (1578X914X610)	WA60P36F1	WA60P36F1G	48.00X32.00 (1219x813)	23.13 (588)	32.06 (814)
WA722418FSN43PT	72.00x24.00x18.00 (1829X610X457)	WA72P24F1	WA72P24F1G	60.00X20.00 (1524x508)	29.13 (740)	38.06 (967)
WA722424FSN43PT	72.00x24.00x24.00 (1829X610X610)	WA72P24F1	WA72P24F1G	60.00X20.00 (1524x508)	29.13 (740)	38.06 (967)
WA723018FSN43PT	72.00x30.00x18.00 (1829X762X457)	WA72P30F1	WA72P30F1G	60.00X26.00 (1524x660)	29.13 (740)	38.06 (967)
WA723024FSN43PT	72.00x30.00x24.00 (1829X762X610)	WA72P30F1	WA72P30F1G	60.00X26.00 (1524x660)	29.13 (740)	38.06 (967)
WA723618FSN43PT	72.00x36.00x18.00 (1829X914X457)	WA72P36F1	WA72P36F1G	60.00X32.00 (1524x813)	29.13 (740)	38.06 (967)
WA723624FSN43PT	72.00x36.00x24.00 (1829X914X610)	WA72P36F1	WA72P36F1G	60.00X32.00 (1524x813)	29.13 (740)	38.06 (967)
WA723630FSN43PT	72.00x36.00x30.00 (1829X914X762)	WA72P36F1	WA72P36F1G	60.00X32.00 (1524x813)	29.13 (740)	38.06 (967)
WA723636FSN43PT	72.00x36.00x36.00 (1829X914X914)	WA72P36F1	WA72P36F1G	60.00X32.00 (1524x813)	29.13 (740)	38.06 (967)
WA902420FSN43PT**	90.00x24.00x20.00 (2286X610X508)	WA90P24F1	WA90P24F1G	78.00X20.00 (1981x508)	38.13 (969)	47.06 (1195)
WA903620FSN43PT**	90.00x36.00x20.00 (2286X914X508)	WA90P36F1	WA90P36F1G	78.00X32.00 (1981x813)	38.13 (969)	47.06 (1195)
WA903624FSN43PT**	90.00x36.00x24.00 (2286X914X610)	WA90P36F1	WA90P36F1G	78.00X32.00 (1981x813)	38.13 (969)	47.06 (1195)
WA903636FSN43PT**	90.00x36.00x36.00 (2286X914X914)	WA90P36F1	WA90P36F1G	78.00X32.00 (1981x813)	38.13 (969)	47.06 (1195)

*Back panels must be ordered separately.

**UL pending on 90" tall cabinets.

