



 **SYNERTECH**  
Composite

[SYNERTECH](http://SYNERTECH.com)

*Duo Mold Series*

## About Synertech Brand Products

Oldcastle Enclosure Solutions Synertech Duo Molded Underground Enclosures are used as splice boxes, pull boxes, equipment enclosures, meter boxes, and valve boxes or whenever underground access is required.

Oldcastle Enclosure Solutions has combined the exceptional strength and durability of High Density Polymer Concrete (HDPC) with the tough and lightweight qualities of Sheet Molding Compound (SMC) to meet your most important requirements for underground enclosures. Utilizing the two patented materials with our patented manufacturing process, Synertech manufactures a monolithic straight walled enclosure that is not only the toughest and lightest polymer composite enclosure on the market today.

## Features & Benefits of the Duo Mold Series

Synertech Duo Mold Enclosures...

- ...Are lightweight and easy to handle
- ...Conform to OSHA Section VII Chapter 1 up to 17x30 in size – Allowable handling weight
- ...Use Sheet Molding Compound (SMC) for exceptional toughness and reduced weight
- ...With Tier 15 load rating standard
- ...Meet ANSI/SCTE 77-2002 as referenced in the NEC 314.30
- ...Straight wall design for stackable applications
- ...Are unaffected by custom holes drilled into body sidewall like fiberglass construction.
- ...Uses 20,000 psi polymer concrete for higher strength
- ...Uses stainless steel hardware
- ...Have exceptional resistance to sunlight and chemicals
- ...Are unaffected by freeze/thaw
- ...Are non conductive and do not require grounding for safety
- ...Are available with special markings and logos
- ...Approved and conforms to DOT standards
- ...Approved and conforms to RUS standards

## DUO MOLD

### Junction Box 1118

#### Box Features

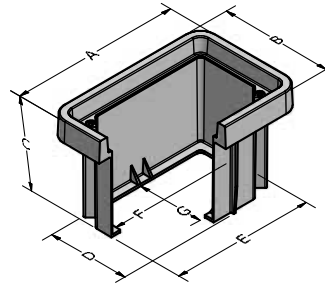
- Sheet Molding Compound (SMC)
- Duomolding monolithic construction
- High Density Polymer Concrete (HDPC) ring

#### Lid Features

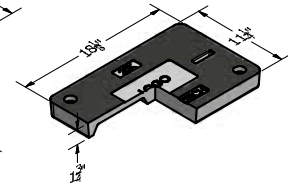
- Sheet Molding Compound (SMC) lining
- Duomolding monolithic construction
- High Density Polymer Concrete (HDPC)

#### Other Features

- S/S Hardware- replaceable
- Pent or Hex Bolts
- Sidewall can be drilled with standard hole saw
- Meets ANSI/SCTE 77-2002 standards



1118-12 BODY (DUO MOLD)



1118 FLUSH COVER (DUO MOLD)

-	A	B	C	D	E	F	G
1118-12	20 1/2" (521 mm)	13 1/2" (343 mm)	12" (305 mm)	9 7/8" (251 mm)	17 1/4" (438 mm)	14 7/8" (378 mm)	8" (203 mm)
1118-18	20 1/2" (521 mm)	13 1/2" (343 mm)	18" (457 mm)	9 7/8" (251 mm)	17 1/4" (438 mm)	14 7/8" (378 mm)	8" (203 mm)
1118-24	20 1/2" (521 mm)	13 1/2" (343 mm)	24" (610 mm)	9 7/8" (251 mm)	17 1/4" (438 mm)	14 7/8" (378 mm)	8" (203 mm)

### Box

1118	Depth	Color	SKU Number	Description 1	Description 2	Item Weight
Box	12	Gray	32108101	Box, SYN1118 T 12" Duo	SYN1118TBOX12	25
Box	18	Gray	32112101	Box, SYN1118 T 18" Duo	SYN1118TBOX18	30
Box	24	Gray	32116101	Box, SYN1118 T 24" (2)	SYN1118T 2 STKDBXS	49
Box	30	Gray	32117101	Box, SYN1118 T 30" (2)	SYN1118T 2 STKDBXS	55
Box	36	Gray	32118101	Box, SYN1118 T 36" Duo (2)	SYN1118T 2 STKDBXS	60

### Lid 1118

1118	Depth	Color	SKU Number	Description 1	Description 2	Item Weight
Lid	-	Gray	31050121	Lid, SYN1118 T - No Mark	SYN1118T000	26
Lid	-	Gray	31050221	Lid, SYN1118 T - Electric	SYN1118T011	26
Lid	-	Gray	31050321	Lid, SYN1118 T - Telephone	SYN1118T042	26
Lid	-	Gray	31050421	Lid, SYN1118 T - Fiber Optics	SYN1118T206	26
Lid	-	Gray	31050521	Lid, SYN1118 T - Water	SYN1118T001	26
Lid	-	Gray	31050721	Lid, SYN1118 T - Ground	SYN1118T017	26
Lid	-	Gray	31050821	Lid, SYN1118 T - Gas	SYN1118T004	26
Lid	-	Gray	31051021	Lid, SYN1118 T - Lighting	SYN1118T021	26
Lid	-	Gray	31051121	Lid, SYN1118 T - Street Lighting	SYN1118T022	26
Lid	-	Gray	31051221	Lid, SYN1118 T - Traffic	SYN1118T102	26
Lid	-	Gray	31051321	Lid, SYN1118 T - Traffic Signal	SYN1118T032	26
Lid	-	Gray	31051421	Lid, SYN1118 T - Non-Potable Water	SYN1118T394	26
Lid	-	Gray	31051621	Lid, SYN1118 T - Communication	SYN1118T041	26
Lid	-	Gray	31059921	Lid, SYN1118 T - Marked	SYN1118T099	26

## DUO MOLD

### Junction Box 1212

#### Box Features

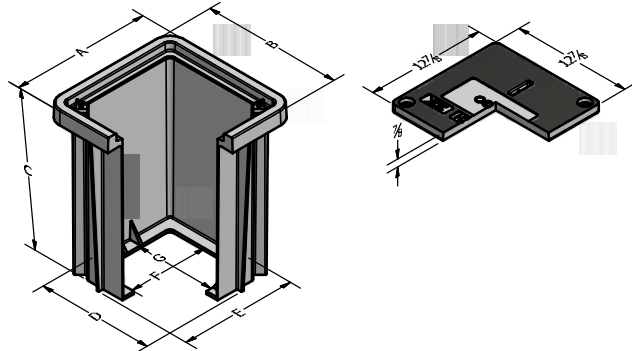
- Sheet Molding Compound (SMC)
- Duomolding monolithic construction
- High Density Polymer Concrete (HDPC) ring

#### Lid Features

- Sheet Molding Compound (SMC) lining
- Duomolding monolithic construction
- High Density Polymer Concrete (HDPC)

#### Other Features

- S/S Hardware- replaceable
- Pent or Hex Bolts
- Sidewall can be drilled with standard hole saw
- Meets ANSI/SCTE 77-2002 standards



1212-18 BODY (DUO MOLD)

1212 FLUSH COVER (DUO MOLD)

-	A	B	C	D	E	F	G
1212-12	15 1/8" (384 mm)	15 1/8" (384 mm)	12" (305 mm)	12 11/16" (297 mm)	12 11/16" (297 mm)	8 7/8" (225 mm)	8 7/8" (225 mm)
1212-18	15 1/8" (384 mm)	15 1/8" (384 mm)	18" (457 mm)	12 11/16" (297 mm)	12 11/16" (297 mm)	8 7/8" (225 mm)	8 7/8" (225 mm)

### Box

1212	Depth	Color	SKU Number	Description 1	Description 2	Item Weight
Box	12	Gray	32120101	Box, SYN1212 T 12" Duo	SYN1212TBOX12	16
Box	18	Gray	32124101	Box, SYN1212 T 18" Duo	SYN1212TBOX18	20
Box	24	Gray	32128101	Box, SYN1212 T 24" Duo (2)	SYN1212T 2 STKDBXS	33
Box	30	Gray	32129101	Box, SYN1212 T 30" Duo (2)	SYN1212T 2 STKDBXS	36
Box	36	Gray	32130101	Box, SYN1212 T 36" Duo (2)	SYN1212T 2 STKDBXS	40

### Lid 1212

1212	Depth	Color	SKU Number	Description 1	Description 2	Item Weight
Lid	-	Gray	31100121	Lid, SYN1212 T - No Mark	SYN1212T000	15
Lid	-	Gray	31100221	Lid, SYN1212 T - Electric	SYN1212T011	15
Lid	-	Gray	31100321	Lid, SYN1212 T - Telephone	SYN1212T000	15
Lid	-	Gray	31100421	Lid, SYN1212 T - Fiber Optics	SYN1212T206	15
Lid	-	Gray	31100521	Lid, SYN1212 T - Water	SYN1212T001	15
Lid	-	Gray	31100621	Lid, SYN1212 T - CATV	SYN1212T162	15
Lid	-	Gray	31100721	Lid, SYN1212 T - Ground	SYN1212T017	15
Lid	-	Gray	31100821	Lid, SYN1212 T - Gas	SYN1212T004	15
Lid	-	Gray	31101021	Lid, SYN1212 T - Lighting	SYN1212T021	15
Lid	-	Gray	31101121	Lid, SYN1212 T - Street Lighting	SYN1212T022	15
Lid	-	Gray	31101221	Lid, SYN1212 T - Traffic	SYN1212T102	15
Lid	-	Gray	31101321	Lid, SYN1212 T - Traffic Signal	SYN1212T032	15
Lid	-	Gray	31101421	Lid, SYN1212 T - Non-Potable Water	SYN1212T394	15
Lid	-	Gray	31101521	Lid, SYN1212 T - Electric	SYN1212T011	15
Lid	-	Gray	31101621	Lid, SYN1212 T - Communications	SYN1212T041	15
Lid	-	Gray	31101721	Lid, SYN1212 T - Irrigation	SYN1212T005	15
Lid	-	Gray	31109921	Lid, SYN1212 T - Marked	SYN1212T099	15

## DUO MOLD

### Junction Box 1324

#### Box Features

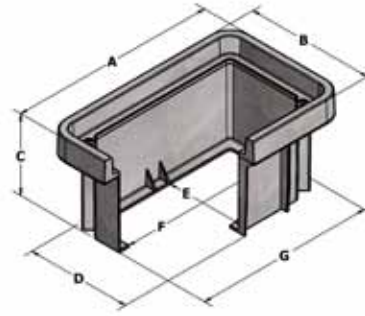
- Sheet Molding Compound (SMC)
- Duomolding monolithic construction
- High Density Polymer Concrete (HDPC) ring

#### Lid Features

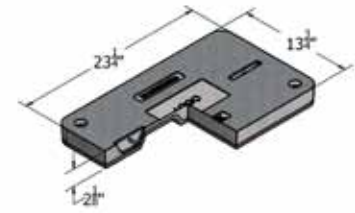
- Sheet Molding Compound (SMC) lining
- Duomolding monolithic construction
- High Density Polymer Concrete (HDPC)

#### Other Features

- S/S Hardware- replaceable
- Pent or Hex Bolts
- Sidewall can be drilled with standard hole saw
- Meets ANSI/SCTE 77-2002 standards



1324-12 BODY (DUO MOLD)



1324 FLUSH COVER (DUO MOLD)

	A	B	C	D	E	F	G
<b>1324-12</b>	25 <sup>1</sup> / <sub>2</sub> " (648 mm)	16" (403 mm)	12" (305 mm)	13 <sup>3</sup> / <sub>8</sub> " (346 mm)	9 <sup>1</sup> / <sub>2</sub> " (241 mm)	19" (483 mm)	21 <sup>1</sup> / <sub>2</sub> " (547 mm)
<b>1324-18</b>	25 <sup>1</sup> / <sub>2</sub> " (648 mm)	16" (407 mm)	18" (457 mm)	13 <sup>3</sup> / <sub>8</sub> " (346 mm)	9 <sup>1</sup> / <sub>2</sub> " (241 mm)	19" (483 mm)	21 <sup>1</sup> / <sub>2</sub> " (547 mm)
<b>1324-24</b>	25 <sup>1</sup> / <sub>2</sub> " (648 mm)	16" (407 mm)	24" (610 mm)	13 <sup>3</sup> / <sub>8</sub> " (346 mm)	9 <sup>1</sup> / <sub>2</sub> " (241 mm)	19" (483 mm)	21 <sup>1</sup> / <sub>2</sub> " (547 mm)

### Box

1324	Depth	Color	SKU Number	Description 1	Description 2	Item Weight
Box	12	Gray	32132101	Box, SYN1324 T 12" Duo	SYN1324TBOX12	33
Box	18	Gray	32136101	Box, SYN1324 T 18"Duo	SYN1324TBOX18	37
Box	24	Gray	32140101	Box, SYN1324 T 24" Duo	SYN1324TBOX24	42
Box	30	Gray	32141101	Box, SYN1324 T 30"Duo (2)	SYN1324T 2 STKDBXS	70
Box	36	Gray	32142101	Box, SYN1324 T 36"Duo (2)	SYN1324T 2 STKDBXS	74

### Lid 1324

1324	Depth	Color	SKU Number	Description 1	Description 2	Item Weight
Lid	-	Gray	31150121	Lid, SYN1324 T - No Mark	SYN1324T000	38
Lid	-	Gray	31150221	Lid, SYN1324 T - Electric	SYN1324T011	38
Lid	-	Gray	31150321	Lid, SYN1324 T - Telephone	SYN1324T042	38
Lid	-	Gray	31150421	Lid, SYN1324 T - Fiber Optics	SYN1324T206	38
Lid	-	Gray	31150521	Lid, SYN1324 T - Water	SYN1324T001	38
Lid	-	Gray	31150621	Lid, SYN1324T - CATV	SYN1324T162	38
Lid	-	Gray	31150721	Lid, SYN1324 T - Ground	SYN1324T017	38
Lid	-	Gray	31150821	Lid, SYN1324 T - Gas	SYN1324T004	38
Lid	-	Gray	31151021	Lid, SYN1324 T - Lighting	SYN1324T021	38
Lid	-	Gray	31151121	Lid, SYN1324T - Street. Lighting	SYN1324T022	38
Lid	-	Gray	31151221	Lid, SYN1324 T - Traffic	SYN1324T102	38
Lid	-	Gray	31151321	Lid, SYN1324 T - Traffic Signal	SYN1324T032	38
Lid	-	Gray	31151421	Lid, SYN1324 T - Non-Potable Water	SYN1324T394	38
Lid	-	Gray	31151621	Lid, SYN1324 T - Communications	SYN1324T041	38
Lid	-	Gray	31151721	Lid, SYN1324 T - Irrigation	SYN1324T005	38
Lid	-	Gray	31159921	Lid, SYN1324 T - Marked	SYN1324T099	38

## DUO MOLD

### Junction Box 1730

#### Box Features

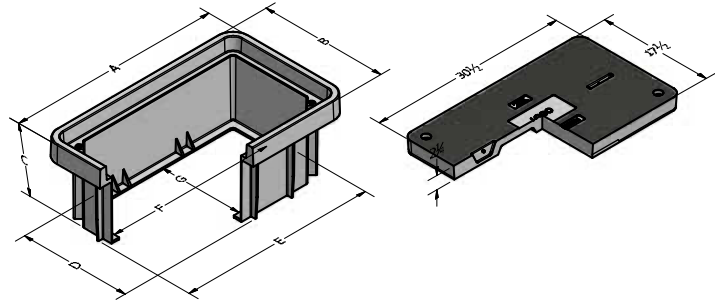
- Sheet Molding Compound (SMC)
- Duomolding monolithic construction
- High Density Polymer Concrete (HDPC) ring

#### Lid Features

- Sheet Molding Compound (SMC) lining
- Duomolding monolithic construction
- High Density Polymer Concrete (HDPC)

#### Other Features

- S/S Hardware- replaceable
- Pent or Hex Bolts
- Sidewall can be drilled with standard hole saw
- Meets ANSI/SCTE 77-2002 standards



1730-12 BODY (DUO MOLD)

1730 FLUSH COVER (DUO MOLD)

-	A	B	C	D	E	F	G
1730-12	32 3/4" (832 mm)	19 3/4" (502 mm)	12" (305 mm)	17 3/8" (441 mm)	30 3/8" (772 mm)	26 1/4" (667 mm)	13 1/4" (337 mm)
1730-18	32 3/4" (832 mm)	19 3/4" (502 mm)	18" (457 mm)	17 3/8" (441 mm)	30 3/8" (772 mm)	26 1/4" (667 mm)	13 1/4" (337 mm)
1730-24	32 3/4" (832 mm)	19 3/4" (502 mm)	24" (610 mm)	17 3/8" (441 mm)	30 3/8" (772 mm)	26 1/4" (667 mm)	13 1/4" (337 mm)

### Box

1730	Depth	Color	SKU Number	Description 1	Description 2	Item Weight
Box	12	Gray	32144101	Box, SYN1730 T 12" Duo	SYN1730TBOX12	42
Box	18	Gray	32148101	Box, SYN1730 T 18" Duo	SYN1730TBOX18	49
Box	24	Gray	32152101	Box, SYN1730 T 24" Duo	SYN1730TBOX24	54
Box	30	Gray	32154101	Box, SYN1730 T 30" Duo (2)	SYN1730T 2 STKDBXS	91
Box	36	Gray	32156101	Box, SYN1730 T 36" Duo (2)	SYN1730T 2 STKDBXS	98
Box	42	Gray	32157101	Box, SYN1730 T 42" Duo (2)	SYN1730T 2 STKDBXS	103

### Lid 1730

1730	Depth	Color	SKU Number	Description 1	Description 2	Item Weight
Lid	-	Gray	31200121	Lid, SYN1730 T - No Mark	SYN1730T000	73
Lid	-	Gray	31200221	Lid, SYN1730 T - Electric	SYN1730T011	73
Lid	-	Gray	31200321	Lid, SYN1730 T - Telephone	SYN1730T042	73
Lid	-	Gray	31200421	Lid, SYN1730 T - Fiber Optics	SYN1730T206	73
Lid	-	Gray	31200521	Lid, SYN1730 T - Water	SYN1730T001	73
Lid	-	Gray	31200621	Lid, SYN1730 T - CATV	SYN1730T362	73
Lid	-	Gray	31200721	Lid, SYN1730 T - Ground	SYN1730T017	73
Lid	-	Gray	31200821	Lid, SYN1730 T - Gas	SYN1730T004	73
Lid	-	Gray	31201121	Lid, SYN1730 T - Street. Lighting	SYN1730T022	73
Lid	-	Gray	31201221	Lid, SYN1730 T - Traffic	SYN1730T102	73
Lid	-	Gray	31201321	Lid, SYN1730 T - Traffic Signal	SYN1730T032	73
Lid	-	Gray	31201421	Lid, SYN1730 T - Non-Potable Water	SYN1730T394	73
Lid	-	Gray	31201621	Lid, SYN1730 T - Communications	SYN1730T041	73
Lid	-	Gray	31201721	Lid, SYN1730 T - Irrigation	SYN1730T005	73
Lid	-	Gray	31209921	Lid, SYN1730 T - Marked	SYN1730T099	73

## DUO MOLD

### Junction Box 2436

#### Box Features

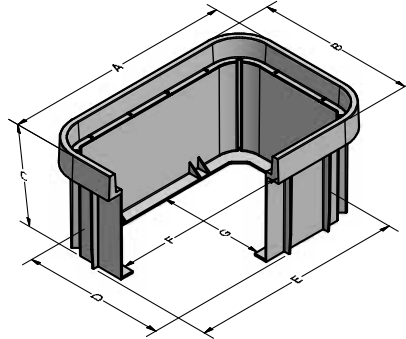
- Sheet Molding Compound (SMC)
- Duomolding monolithic construction
- High Density Polymer Concrete (HDPC) ring

#### Lid Features

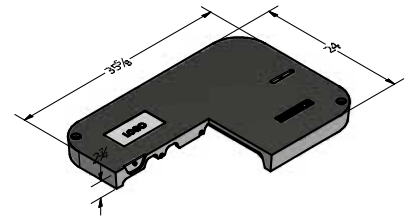
- Sheet Molding Compound (SMC) lining
- Duomolding monolithic construction
- High Density Polymer Concrete (HDPC)

#### Other Features

- S/S Hardware- replaceable
- Pent or Hex Bolts
- Sidewall can be drilled with standard hole saw
- Meets ANSI/SCTE 77-2002 standards



2436-18 BODY (DUO MOLD)



2436 FLUSH COVER (DUO MOLD)

-	A	B	C	D	E	F	G
2436-18	38" (965 mm)	26 1/4" (667 mm)	18" (457 mm)	23 1/16" (602 mm)	35 5/16" (906 mm)	29 1/8" (740 mm)	17 1/2" (445 mm)
2436-24	38" (965 mm)	26 1/4" (667 mm)	24" (610 mm)	23 1/16" (602 mm)	35 5/16" (906 mm)	29 1/8" (740 mm)	17 1/2" (445 mm)
2436-36	38" (965 mm)	26 1/4" (667 mm)	36" (914 mm)	23 1/16" (602 mm)	35 5/16" (906 mm)	29 1/8" (740 mm)	17 1/2" (445 mm)

### Box

2436	Depth	Color	SKU Number	Description 1	Description 2	Item Weight
Box	18	Gray	32164101	Box, SYN2436 T 18" Duo	SYN2436TBOX18	80
Box	24	Gray	32168101	Box, SYN2436 T 24" Duo	SYN2436TBOX24	91
Box	36	Gray	32172101	Box, SYN2436 T 36" Duo	SYN2436TBOX36	112
Box	42	Gray	32173101	Box, SYN2436 T 42" Duo (2)	SYN2436T 2 STKDBXS	171
Box	48	Gray	32174101	Box, SYN2436 T 48" Duo (2)	SYN2436T 2 STKDBXS	181
Box	54	Gray	32175101	Box, SYN2436 T 54" Duo (2)	SYN2436T 2 STKDBXS	240
Box	60	Gray	32176101	Box, SYN2436 T 60" Duo (2)	SYN2436T 2 STKDBXS	262
Box	72	Gray	32177101	Box, SYN2436 T 72" Duo (2)	SYN2436T 2 STKDBXS	320

### Lid 2436

2436	Depth	Color	SKU Number	Description 1	Description 2	Item Weight
Lid	-	Gray	31250121	Lid, SYN2436 T - No Mark	SYN2436T000	147
Lid	-	Gray	31250221	Lid, SYN2436 T - Electric	SYN2436T011	147
Lid	-	Gray	31250321	Lid, SYN2436 T - Telephone	SYN2436T042	147
Lid	-	Gray	31250421	Lid, SYN2436 T - Fiber Optics	SYN2436T206	147
Lid	-	Gray	31250521	Lid, SYN2436 T - Water	SYN2436T001	147
Lid	-	Gray	31250621	Lid, SYN2436 T - CATV	SYN2436T162	147
Lid	-	Gray	31250721	Lid, SYN2436 T - Ground	SYN2436T017	147
Lid	-	Gray	31250821	Lid, SYN2436 T - Gas	SYN2436T004	147
Lid	-	Gray	31251021	Lid, SYN2436 T - Lighting	SYN2436T021	147
Lid	-	Gray	31251121	Lid, SYN2436 T - Street Lighting	SYN2436T022	147
Lid	-	Gray	31251221	Lid, SYN2436 T - Traffic	SYN2436T102	147
Lid	-	Gray	31251321	Lid, SYN2436 T - Traffic Signal	SYN2436T032	147
Lid	-	Gray	31251421	Lid, SYN2436 T - Non-Potable Water	SYN2436T394	147
Lid	-	Gray	31251621	Lid, SYN2436 T - Communication	SYN2436T041	147
Lid	-	Gray	31251721	Lid, SYN2436 T - Irrigation	SYN2436T005	147
Lid	-	Gray	31259921	Lid, SYN2436T - Marked	SYN2436T099	147

## DUO MOLD

### Junction Box 3048

#### Box Features

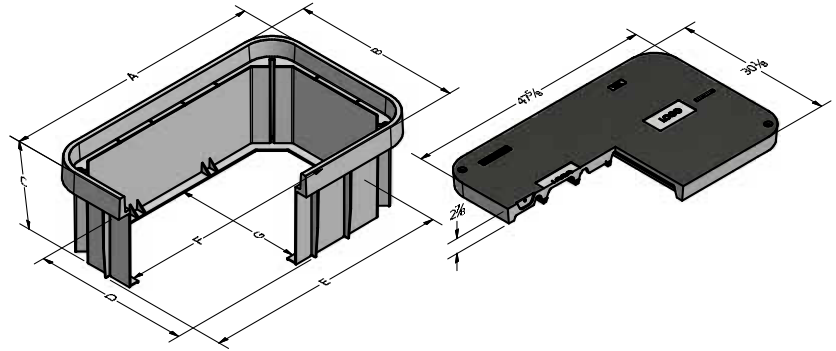
- Sheet Molding Compound (SMC)
- Duomolding monolithic construction
- High Density Polymer Concrete (HDPC) ring

#### Lid Features

- Sheet Molding Compound (SMC) lining
- Duomolding monolithic construction
- High Density Polymer Concrete (HDPC)

#### Other Features

- S/S Hardware- replaceable
- Pent or Hex Bolts
- Sidewall can be drilled with standard hole saw
- Meets ANSI/SCTE 77-2002 standards



-	A	B	C	D	E	F	G
3048-18	49 7/8" (1267 mm)	32 3/8" (822 mm)	18" (457 mm)	29 13/16" (757 mm)	47 5/16" (1202 mm)	41 3/4" (1060 mm)	24 1/4" (616 mm)
3048-24	49 7/8" (1267 mm)	32 3/8" (822 mm)	24" (610 mm)	29 13/16" (757 mm)	47 5/16" (1202 mm)	41 3/4" (1060 mm)	24 1/4" (616 mm)
3048-36	49 7/8" (1267 mm)	32 3/8" (822 mm)	36" (914 mm)	29 13/16" (757 mm)	47 5/16" (1202 mm)	41 3/4" (1060 mm)	24 1/4" (616 mm)

### Box

3048	Depth	Color	SKU Number	Description 1	Description 2	Item Weight
Box	18	Gray	32180101	Box, SYN3048 T 18" Duo	SYN3048TBOX18	119
Box	24	Gray	32184101	Box, SYN3048 T 24" Duo	SYN3048TBOX24	133
Box	36	Gray	32188101	Box, SYN3048 T 36" Duo	SYN3048TBOX36	160
Box	42	Gray	32185101	Box, SYN3048 T 42" Duo (2)	SYN3048T 2 STKDBXS	252
Box	48	Gray	32187101	Box, SYN3048 T 48" Duo (2)	SYN3048T 2 STKDBXS	265
Box	60	Gray	32178101	Box, SYN3048 T 60" Duo (2)	SYN3048T 2 STKDBXS	293
Box	72	Gray	32179101	Box, SYN3048 T 72" Duo (2)	SYN3048T 2 STKDBXS	320

### Lid 3048

3048	Depth	Color	SKU Number	Description 1	Description 2	Item Weight
Lid	-	Gray	31300121	Lid, SYN3048 T - No Mark	SYN3048T000	213
Lid	-	Gray	31300221	Lid, SYN3048 T - Electric	SYN3048T011	213
Lid	-	Gray	31300321	Lid, SYN3048 T - Telephone	SYN3048T042	213
Lid	-	Gray	31300421	Lid, SYN3048 T - Fiber Optics	SYN3048T206	213
Lid	-	Gray	31300521	Lid, SYN3048 T - Water	SYN3048T001	213
Lid	-	Gray	31300621	Lid, SYN3048 T - CATV	SYN3048T362	213
Lid	-	Gray	31300721	Lid, SYN3048 T - Ground	SYN3048T017	213
Lid	-	Gray	31300821	Lid, SYN3048 T - Gas	SYN3048T004	213
Lid	-	Gray	31301021	Lid, SYN3048 T - Lighting	SYN3048T021	213
Lid	-	Gray	31301121	Lid, SYN3048 T - Street Lighting	SYN3048T022	213
Lid	-	Gray	31301221	Lid, SYN3048 T - Traffic	SYN3048T102	213
Lid	-	Gray	31301321	Lid, SYN3048 T - Traffic Signal	SYN3048T032	213
Lid	-	Gray	31301421	Lid, SYN3048 T - Non-Potable Water	SYN3048T394	213
Lid	-	Gray	31301621	Lid, SYN3048 T - Communication	SYN3048T041	213
Lid	-	Gray	31301721	Lid, SYN3048 T - Irrigation	SYN3048T005	213
Lid	-	Gray	31309921	Lid, SYN3048 T - Marked	SYN3048T099	213



## DUO MOLD

### Junction Box 3660

#### Box Features

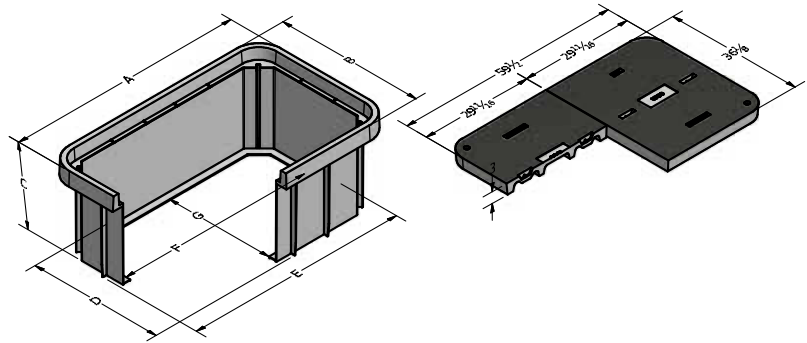
- Sheet Molding Compound (SMC)
- Duomolding monolithic construction
- High Density Polymer Concrete (HDPC) ring

#### Lid Features

- Sheet Molding Compound (SMC) lining
- Duomolding monolithic construction
- High Density Polymer Concrete (HDPC)

#### Other Features

- S/S Hardware- replaceable
- Pent or Hex Bolts
- Sidewall can be drilled with standard hole saw
- Meets ANSI/SCTE 77-2002 standards



3660-24 BODY (DUO MOLD)

3660 FLUSH 2 PIECE COVER (DUO MOLD)

-	A	B	C	D	E	F	G
3660-24	62 3/4" (1594 mm)	39 3/8" (1000 mm)	24" (610 mm)	35 13/16" (910 mm)	59 3/16" (1503 mm)	52 3/4" (1340 mm)	29 3/8" (746 mm)
3660-36	62 3/4" (1594 mm)	39 3/8" (1000 mm)	36" (914 mm)	35 13/16" (910 mm)	59 3/16" (1503 mm)	52 3/4" (1340 mm)	29 3/8" (746 mm)

### Box

3660	Depth	Color	SKU Number	Description 1	Description 2	Item Weight
Box	24	Gray	32191101	Box, SYN3660 T 24" Duo	SYN3660TBOX24	188
Box	36	Gray	32192101	Box, SYN3660 T 36" Duo	SYN3660TBOX36	226
Box	48	Gray	32195101	Box, SYN3660 T 48" Duo (2)	SYN3660T 2 STKDBXS	376
Box	60	Gray	32196101	Box, SYN3660 T 60" Duo (2)	SYN3660T 2 STKDBXS	413
Box	72	Gray	32197101	Box, SYN3660 T 72" Duo (2)	SYN3660T 2 STKDBXS	451

### Lid 3660

3660	Depth	Color	SKU Number	Description 1	Description 2	Item Weight
Lid	-	Gray	31350121	Lid, SYN3660 T - No Mark	SYN3060T000	357
Lid	-	Gray	31350221	Lid, SYN3660 T - Electric	SYN3660T011	357
Lid	-	Gray	31350321	Lid, SYN3660 T - Telephone	SYN3660T042	357
Lid	-	Gray	31350421	Lid, SYN3660 T - Fiber Optics	SYN3660T206	357
Lid	-	Gray	31350521	Lid, SYN3660 T - Water	SYN3660T001	357
Lid	-	Gray	31350621	Lid, SYN3660 T - CATV	SYN3660T162	357
Lid	-	Gray	31350721	Lid, SYN3660 T - Ground	SYN3660T017	357
Lid	-	Gray	31350821	Lid, SYN3660 T - Gas	SYN3660T004	357
Lid	-	Gray	31351021	Lid, SYN3660 T - Lighting	SYN3660T021	357
Lid	-	Gray	31351121	Lid, SYN3660 T - Street Lighting	SYN3660T022	357
Lid	-	Gray	31351221	Lid, SYN3660 T - Traffic	SYN3660T102	357
Lid	-	Gray	31351321	Lid, SYN3660 T - Traffic Signal	SYN3660T032	357
Lid	-	Gray	31351421	Lid, SYN3660 T - Non-Potable Water	SYN3660T394	357
Lid	-	Gray	31351621	Lid, SYN3660 T - Communications	SYN3660T041	357
Lid	-	Gray	31351721	Lid, SYN3660 T - Irrigation	SYN3660T005	357
Lid	-	Gray	31359921	Lid, SYN3660 T - Marked	SYN3660T099	357

## Hardware

### Hardware Items

Depth	Color	SKU Number	Description 1	Description 2	Item Weight
-	-	34358160	SYN Pulling Eye/B. Oeil 3/8-16 SS		-
-	-	34358170	SYN J Hook/Crochet en J, Zinc		-
-	-	34358256	SYN Hook cov. HB/Crochet couv. BH		-
-	-	34358265	SYN Terminators-3"		-
-	-	34358270	SYN Terminators-4"		-
-	-	34358280	SYN Terminators-5"		-
-	-	34358290	SYN Terminators-6"		-
-	-	34358300	SYN EMS Mini-Marker		-
-	-	34358450	Cable Rack Hook 7 1/2" #10A36		-
-	-	34358455	Cable Rack Hook 10" #10A37		-
-	-	34358260	SYN Terminators-2"		-
-	-	80002033	2x Hexbolt + 2x Wash SST	1/2" 13 x 2-1/2"	-
-	-	80002029	2x Hexbolt + 2x Wash SST	1/2" 13 x 3-1/2"	-
-	-	80002030	2x LgPnta + 2x Washer SST	1/2" 13 x 3-1/2"	-
-	-	80002052	2x Hex Bolt + 2x Washer SST	1/2" 13 x 1-1/4"	-
-	-	80002054	2x Lg Penta Bolt + 2x Washer SST	1/2" 13 x 1-1/4"	-
-	-	80002034	2x LgPnta + 2x Washer SST	1/2" 13 x 2-1/2"	-

Synertech Duo Mold Box	Kit Number	Description
<b>HEX</b>		
1212-XX	80002052	HEX 1/2-13 x 1 1/4"
1118, 1324, 1730	80002033	HEX 1/2-13 x 2 1/2"
2436, 3048, 3660	80002029	HEX 1/2-13 x 3 1/2"
<b>PENTA</b>		
1212-XX	80002054	PENTA 1/2-13 x 1 1/4"
1118, 1324, 1730	80002034	PENTA 1/2-13 x 2 1/2"
2436, 3048, 3660	80002030	PENTA 1/2-13 x 3 1/2"

## Marking Plate System

## Marking Plates

Depth	Color	SKU Number	Description 1	Description 2	Item Weight
-	-	31901000	Marking Plate-Blank	4" x 8"	-
-	-	31901010	Marking Plate-Electric	4" x 8"	-
-	-	31901020	Marking Plate-Communications	4" x 8"	-
-	-	31901030	Marking Plate-Traffic Signal	4" x 8"	-
-	-	31901040	Marking Plate-Street Lighting	4" x 8"	-
-	-	31901050	Marking Plate-High Voltage	4" x 8"	-
-	-	31901060	Marking Plate-CATV	4" x 8"	-
-	-	31901061	Marking Plate-Fiber Optics	4" x 8"	-
-	-	31901070	Marking Plate-Lighting	4" x 8"	-
-	-	31901080	Marking Plate-Water	4" x 8"	-
-	-	31901090	Marking Plate-"Marked" Special	4" x 8"	-

## Adhesive

## Sealant

Depth	Color	SKU Number	Description 1	Description 2	Item Weight
-	-	31900100	Dow Corning 732 Sealant 300ml	Dow732	-
-	-	31900110	Dow Corning 732 Sealant 90ml	Dow732	-

## Marking Plate System

## Lid 1118

1118	Depth	Color	SKU Number	Description 1	Description 2	Item Weight
Lid	-	Gray	31059821	Lid, SYN1118 T-Marking Plate Required	SYN1118T	26

## Lid 1212

1212	Depth	Color	SKU Number	Description 1	Description 2	Item Weight
Lid	-	Gray	31109821	Lid, SYN1212 T -Marking Plate Required	SYN1212T	15

## Lid 1324

1324	Depth	Color	SKU Number	Description 1	Description 2	Item Weight
Lid	-	Gray	31159821	Lid, SYN1324 T -Marking Plate Required	SYN1324T	38

## Lid 1730

1730	Depth	Color	SKU Number	Description 1	Description 2	Item Weight
Lid	-	Gray	31209821	Lid, SYN1730 T -Marking Plate Required	SYN1730T	73

## Lid 2436

2436	Depth	Color	SKU Number	Description 1	Description 2	Item Weight
Lid	-	Gray	31259821	Lid, SYN2436 T -Marking Plate Required	SYN2436T	147

## Lid 3048

3048	Depth	Color	SKU Number	Description 1	Description 2	Item Weight
Lid	-	Gray	31309821	Lid, SYN3048 T -Marking Plate Required	SYN3048T	213

## Lid 3660

3660	Depth	Color	SKU Number	Description 1	Description 2	Item Weight
Lid	-	Gray	31359821	Lid, SYN3660 T -Marking Plate Required	SYN3660T	357



Distribution Centers Servicing Your Local Areas

