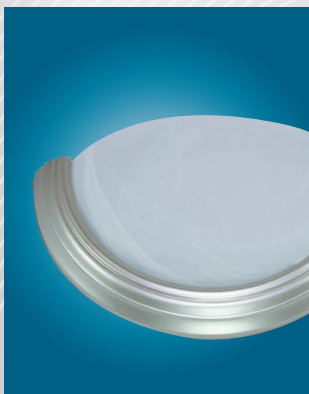
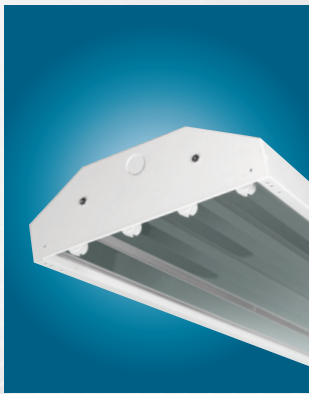


GlobalLux

LIGHTING



RESIDENTIAL
COMMERCIAL
INDUSTRIAL

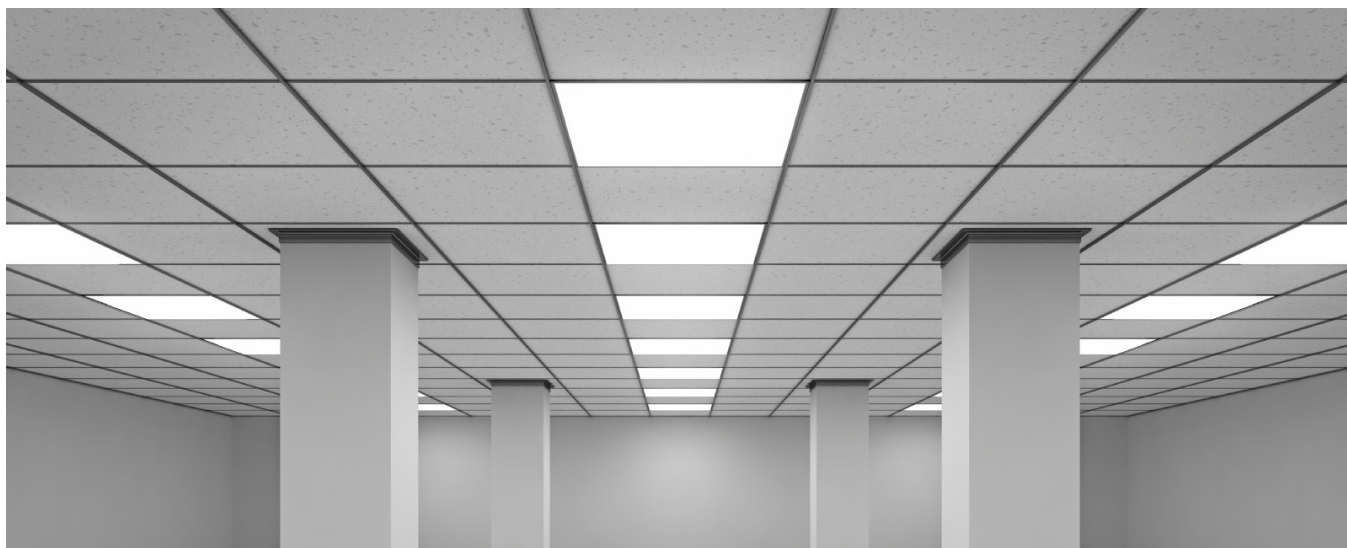
Phone: (909) 591-7506
Fax: (909) 590-3220
Email: info@globalluxlighting.com

2037 S. Vineyard Ave.
Ontario, CA 91761

Who We Are

Founded over forty years ago as a southern California based manufacturer, GlobalLux is the source of a broad range of lighting products with uncompromising emphasis on energy efficiency, superior materials and optical performance.

Global manufacturing facilities and component sourcing have enabled us to develop a wide range of specification grade lighting products. Today, GlobalLux not only provides great quality products, but can offer them in a range of cost efficient options with short lead-times.



Through our network of supplier's, in-house lighting engineers, and flexible low cost assembly operation, GlobalLux can provide cost efficient, turnkey lighting solutions for most residential and commercial lighting projects. Our product offering includes a comprehensive assortment of residential and commercial fluorescents, a diverse selection of Compact Fluorescent & LED fixtures, the most popular HID, Emergency/Exit, and lamps to round out a complete project package.

Value Engineering Specified Packages - We are crossing and closing more specified packages than ever before, as virtually every job is under pressure to meet lower budgets. We continue to add products that are excellent substitutes to today's most specified fixtures.

Quick Turnaround on "A items and Variants" - Our new Hot Sheet pricing, increased finished goods, component inventories and improved factory efficiencies enables our customers to rely on GlobalLux to service their jobs swiftly with competitive pricing.

As part of our commitment to meeting all the requirements presented to us by our growing list of customers, GlobalLux has achieved full compliance with the Buy American Act (1933) and the American Recovery and Reinvestment Act (2009). These acts contain "Buy American Provisions" that have certain restrictions regarding where goods or supplies for public use or purchased with public funding can be made. Our compliance ensures that we can fulfill any and all lighting assignments.

Premium Performance Options

Today every fixture has literally thousands of potential options. Today's products offer more options than ever before from different ballasts, starting methods and ballasts factors, to switching and sensor options, to different wiring and mounting options, Our team will work with our production lines to make sure we manufacture exactly the right lighting fixture for your project. We encourage and help you find the specific combination of options to make the fixture the right light for your application. From selecting specific ballasts to adding reflectors, sensors, switches, cords or lamps, we are capable of mass customization suited to your project.

GlobalLux strives to use the right ballast for every project. To meet your project's exact specifications, GlobalLux can provide the brand and ballast of your choice.

Ballasts

- Universal Voltage
- Multiple Ballast Factors
- High Frequency
- 5 Year Warranty
- Quiet Operation
- Specialized Electronic Circuitry
- Anti-Stirration Control
- Active Power Factor Correction



Lamps

- Long Lamp Life
- High Initial Lumens
- Excellent Lumen Maintenance
- Low Operating Cost
- High Color Rendering
- Various Color Temperatures Available
- Shatter Resistant Coating Available



Custom Design Capabilities

If you don't see the exact design solution for your project from among our broad product offering, GlobalLux gives you the freedom to create the lighting solution you want. From stock to modifications to custom, we offer a broad array of options to meet your specific needs. To support job situations requiring quick turnaround, we maintain sufficient inventory levels on many items to meet your quantity requirements. Select from the following programs to meet your needs.

STANDARD PRODUCT MODIFICATION PROGRAM

This program is designed to offer modification flexibility on selected standard products to meet your specific needs. Customizable options include finish, shade, glass, diffuser, color, lamping and ballast type. Lead time from receipt of order is 4 - 8 weeks.



CUSTOM FABRICATION PROGRAM

To accommodate your creativity, GlobalLux will produce a lighting fixture to match your design needs. All we need to get started is a drawing, photo or description of the fixture concept. From there, our design team will work with you and your customer to create a one-of-a-kind lighting solution that is unique to your project. Lead time is 12 weeks from order receipt and drawing approval.

For more information on our Quick Ship, Modification or Custom Programs, please contact your GlobalLux Lighting representative.

FLUORESCENT HIGH BAYS



page 7

FLUORESCENT SURFACE MOUNT



page 15

RETROFIT KITS



page 23

FLUORESCENT STRIPS



page 11

FLUORESCENT RECESSED



page 19

FLUORESCENT & LED UNDERCABINET/TASK FIXTURES



page 25

FAN LIGHT KITS



page 33

FLUORESCENT & LED DECORATIVE CEILING FIXTURES



page 34

FLUORESCENT WALL BRACKET, STAIRWELL & VANITY FIXTURES



page 43

INDOOR COMPACT FLUORESCENT WALL FIXTURES



page 48

OUTDOOR COMPACT FLUORESCENT WALL FIXTURES



page 50

EXIT/EMERGENCY FIXTURES



page 58

REPLACEMENT LAMPS



page 68

ELECTRONIC BALLASTS



page 72

Vapor Tight High Bay



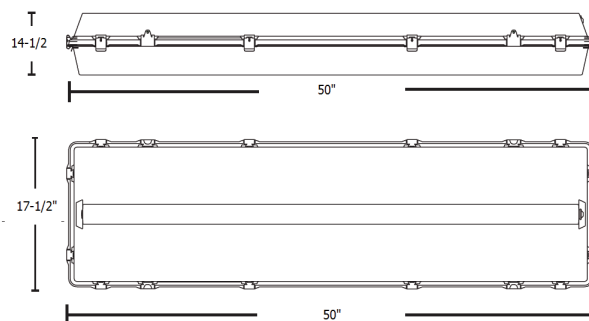
APPLICATION

The Vapor Tight High Bay series is an outstanding solution for industrial or cold storage facilities that require a gasket enclosure for extreme conditions. The optics have been optimized to provide maximum performance from either the T5 or T8 lamps. The vapor tight high lumen package allows the benefits of fluorescent to be applied at high mounting heights that were traditionally exclusive to H.I.D. Primary applications include light industrial, gymnasiums, recreational environments, manufacturing plants, cold storage facilities, and warehouses.

FEATURES

- Multi-Volt and High-Volt Ballasts are Class "P" and are positively secured by mounting bolts. Pressure-lock lamp holders. Suitable for damp locations.
- White enamel finish preceded by a multistage cleaning cycle, iron phosphate coating with rust inhibitor to protect against contaminants and oxidation.
- Rugged light gray polycarbonate housing with continuous paried gasket for an airtight seal, keeping out moisture, dust and humidity.
- The reflector is specular made of aluminum allowing for higher light output.
- Stainless steel latch secures the lens to the fixture.
- The vapor tight series is ideally suited for surface, suspension mounting with optional (2) sets v-hook hangers hook
- IP Rating: IP65
- NEC required ballast disconnect is standard on MV & HV models.
- Nema Premium/CEE qualified ballast found standard on most MV & HV options (consult factory for details).

DIMENSIONS



ORDERING INFORMATION

ACCESSORIES

VTHB								
SERIES	# OF LAMPS	LAMP TYPE	REFLECTOR	VOLTAGE	# BALLASTS	BALLAST TYPE	BALLAST FACTOR	OPTIONS
	4	28- 28W T5	SA- Specular Aluminum, Narrow Beam (90%)	MV- 120/277V	4 LIGHT- (Blank) - 1, 4L Ballast 2B - 2, 2L Ballast	(Blank)- Programmed Start	(Blank)- Normal	EM5- 450 Lumen Battery Backup
	6	32- 32W T8 54- 54W T5HO	WR- White Reflector, Wide Beam (86%) M4- Miro IV, Narrow Beam (95%)	HV- 347/480V	6 LIGHT- (Blank) - 1, 4L & 2L Ballast 2B - 2, 3L Ballast	IS- Instant Start*	H- High L - Low	EM7- 700 Lumen Battery Backup EM14- 1400 Lumen Battery Backup EM30- 3000 Lumen Battery Backup OS- Occupancy Sensor

CH-3.5 AC-10 T8 and T5 lamps (all color temps. available)

Premium High Bay



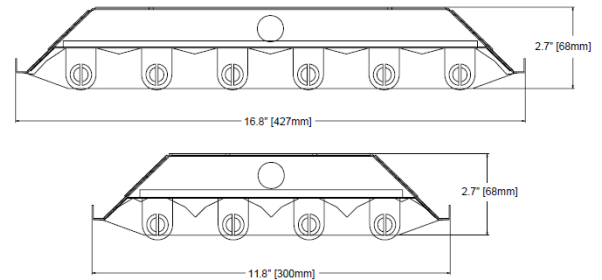
FEATURES

- Post painted white powder coat steel housing for extreme durability in harsh environments.
- Low profile design allows fixture placement near the ceiling for maximum space utilization.
- Utilizes T8 or T5 lamps which maintain 95% of their original lumen output while providing superior color rendering in contrast to HID.
- Suitable for suspension by chain, cable or hook.
- Hinged back door for quick ballast replacement
- Outperforms conventional Metal Halide systems for a fraction of the energy consumption.
- Instant On.
- Multi-Level switching capability.
- NEC Required Ballast Disconnect is Standard on MV and HV Models.
- Nema Premium/CEE qualified ballast found standard on most MV & HV fixtures (Consult factory for details).

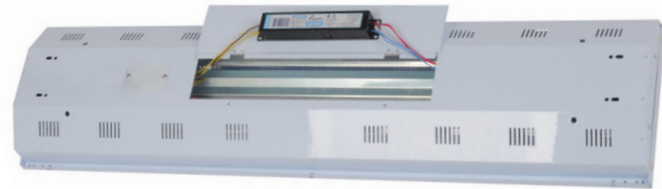
APPLICATION

The PHB series is an outstanding solution for high mounting height industrial or retail applications. The optics have been optimized to provide maximum performance from either the T5 or T8 lamps. The PHB's high lumen package allows the benefits of fluorescent to be applied at high mounting heights that were traditionally exclusive to H.I.D. The primary benefits include exceptional color rendering, high system efficacy, 95% lumen maintenance, long lamp life, instant on/instant re-strike, economical dimming, and uniform brightness control.

DIMENSIONS



OPEN DOOR ACCESS



ORDERING INFORMATION

PHB SERIES	# OF LAMPS	LAMP TYPE	REFLECTOR	VOLTAGE	# BALLASTS	BALLAST TYPE	BALLAST FACTOR	OPTIONS
	4	28- 28W T5	SA- Specular Aluminum, Narrow Beam (90%)	MV- 120/277V	4 LIGHT- (Blank) - 1, 4L Ballast 2B - 2, 2L Ballast	(Blank)- Programmed Start	(Blank)- Normal	EM5- 450 Lumen Battery Backup
	6	32- 32W T8	WR- White Reflector, Wide Beam (86%)	HV- 347/480V	6 LIGHT- (Blank) - 1, 4L & 2L Ballast 2B - 2, 3L Ballast	IS- Instant Start*	H- High L - Low	EM7- 700 Lumen Battery Backup
	8	54- 54W T5HO	M4- Miro IV, Narrow Beam (95%)		8 LIGHT- 2B - 2, 4L Ballast			EM14- 1400 Lumen Battery Backup EM30- 3000 Lumen Battery Backup OS- Occupancy Sensor

ACCESSORIES

LENS-PHB-4
LENS-PHB-6
LENS-PHB-8
WG-PHB-4
WG-PHB-6
WG-PHB-8
CH-3.5
AC-10
T8 and T5 lamps

Baffled High Bay

APPLICATION

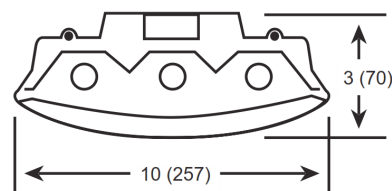
The BHB Series features white straight blade louvers for optimal light dispersion and glare control and is ideal for applications requiring aesthetic appeal. Intended for use in retail stores, warehouses and manufacturing applications where high lumen package in a compact fixture is required. Suitable for mounting heights of up to 30'.



FEATURES

- Fixture is designed with a flat blade cross baffle to provide high viewing lamp shielding to reduce brightness and glare.
- Post painted white powder coat steel housing for extreme durability in harsh environments.
- Low profile design allows fixture placement near the ceiling for maximum space utilization.
- Utilizes T8 or T5 lamps which maintain 95% of their original lumen output while providing superior color rendering in contrast to HID.
- Suitable for suspension by chain, cable or hook.
- Outperforms conventional Metal Halide systems for a fraction of the energy consumption.
- Instant On.
- Multi-Level switching capability.
- NEC Required Ballast Disconnect is Standard on MV and HV Models.
- NEMA Premium/CEE qualified ballast found standard on most fixture options (Consult factory for details).

DIMENSIONS



ORDERING INFORMATION

ACCESSORIES

BHB									
SERIES	# OF LAMPS	LAMP TYPE	REFLECTOR	VOLTAGE	# BALLASTS	BALLAST TYPE	BALLAST FACTOR	OPTIONS	
	3- 3 Lamps 3T- 3 Lamp Tandem (8' Fixture)	28- 28W T5 32- 32W T8 54- 54W T5HO	SA- Specular Aluminum, Narrow Beam (90%) WR- White Reflector, Wide Beam (86%) M4- Micro IV, Narrow Beam (95%)	MV- 120/277V HV- 347/480V	3 LIGHT- (Blank) - 1, 4L Ballast 2B - 2, 2L Ballast 6 LIGHT- (Blank) - 1, 4L & 2L Ballast 2B - 2, 3L Ballast	(Blank)- Programmed Start IS- Instant Start*	(Blank)- Normal H- High L - Low	EM5- 450 Lumen Battery Backup EM7- 700 Lumen Battery Backup EM14- 1400 Lumen Battery Backup EM30- 3000 Lumen Battery Backup OS- Occupancy Sensor	CH-3.5 AC-10 T8 and T5 lamps

Single Industrial Channel



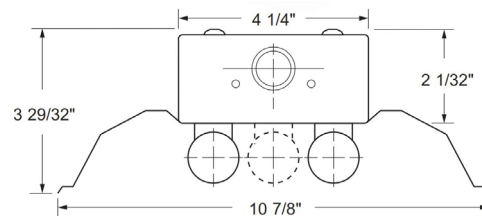
APPLICATION

The SIC series is an energy efficient family of industrials that features premium performance and durability. This series incorporates embossed reflectors that precisely direct and effectively control light. The fixture is versatile, and can be installed using various mounting methods and numerous options and accessories are available. The SIC can be utilized in simple task and area lighting to the most demanding industrial applications.

FEATURES

- Channel is made of die formed cold rolled steel housing with numerous KOs for ease of installation.
- Post painted white powder coat steel housing for extreme durability in harsh environments.
- End plate quickly converts to snap-in channel connector for continuous row mounting.
- Suitable for surface or suspended mounting.
- Ballast cover secured with quarter-turn fasteners.
- NEC Required Ballast Disconnect is Standard on MV and HV Models
- Nema Premium/CEE qualified ballast found standard on most fixture options (Consult factory for details).
- Reflector is secured to housing with quarter-turn fasteners (ships separately).
- The industrial strip can also be paired with high lumen lamps to replace existing HID systems.

DIMENSIONS



ORDERING INFORMATION

ACCESSORIES

SIC	# OF LAMPS	LAMP TYPE	REFLECTOR	VOLTAGE	BALLAST TYPE	BALLAST FACTOR	OPTIONS	
	1- 1 Lamp 1T- 1 Lamp Tandem (8' Fixture) 2- 2 Lamp 2T- 2 Lamp Tandem (8' Fixture)	24" Housing 14- 14W T5 17- 17W T8 24- 24W T5HO 36" Housing 21- 21W T5 25- 25W T8 39- 39W T5HO 48" Housing 28- 28W T5 32- 32W T8 54- 54W T5HO 96" Housing 28- 28W T5 32- 32W T8 54- 54W T5HO	(Blank)- White Steel WR- White Steel w/ 10% aperture SR- Specular Aluminum SA- Specular Aluminum w/ 10% aperture WA- White Aperture	120- 120V MV- 120/277V HV- 347/480V	(Blank)- Instant Start* PS- Programmed Start	(Blank)- Normal H- High L - Low	EM5- 450 Lumen Battery Backup EM7- 700 Lumen Battery Backup EM14- 1400 Lumen Battery Backup EM30- 3000 Lumen Battery Backup	T8 and T5 lamps WG-SIC-1-32 WG-SIC-2-32 CH-3.5 AC-10

Standard Channel Strips

APPLICATION

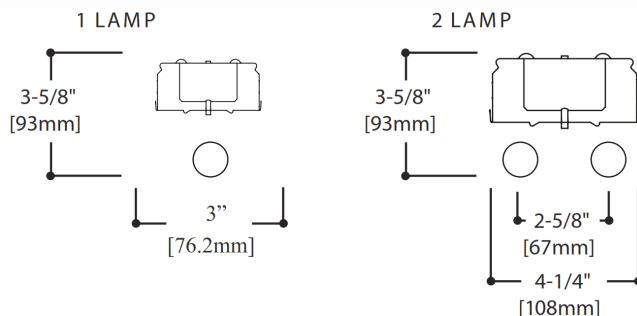
The SCS Series is a functional and multi-purpose standard strip family that incorporates premium performance and construction durability. Designed with high quality sockets, the SCS significantly reduces installation time. The SCS Series can be installed using various mounting methods and numerous options and accessories are available. The SCS Series provides a general lighting solution for commercial, industrial, retail and residential applications. Fixtures can be used in storage/utility areas, coves, display cases, shops, task and general area lighting.



FEATURES

- Channel is made of die formed cold rolled steel housing with numerous KO's for ease of installation.
- Post painted white powder coat steel housing for extreme durability in harsh environments.
- End plate quickly converts to snap-in channel connector for continuous row mounting.
- Suitable for surface or suspended mounting.
- Ballast cover secured with quarter-turn fasteners.
- NEC Required Ballast Disconnect is Standard on MV and HV Models
- NEMA Premium/CEE qualified ballast found standard on most fixture options (Consult factory for details).

DIMENSIONS



ORDERING INFORMATION

SCS						
SERIES	# OF LAMPS	LAMP TYPE	VOLTAGE	BALLAST TYPE	BALLAST FACTOR	OPTIONS
	1- 1 Lamp 1T- 1 Lamp Tandem (8' Fixture) 2- 2 Lamp 2T- 2 Lamp Tandem (8' Fixture)	24" Housing 14- 14W T5 17- 17W T8 24- 24W T5HO 36" Housing 21- 21W T5 25- 25W T8 39- 39W T5HO 48" Housing 28- 28W T5 32- 32W T8 54- 54W T5HO 96" Housing 28- 28W T5 32- 32W T8 54- 54W T5HO	120- 120V MV- 120/277V HV- 347/480V	(Blank)- Instant Start* PS- Programmed Start	(Blank)- Normal H- High L - Low	EM5- 450 Lumen Battery Backup EM7- 700 Lumen Battery Backup EM14- 1400 Lumen Battery Backup EM30- 3000 Lumen Battery Backup WG- Wireguard

ACCESSORIES

WG-SCS-2-32 - 48" white wireguard for 2 lamp
WG-SCS-1-32 - 48" white wireguard for 1 lamp
CH-3.5 - (pair) 3.5' Hanging chain
AC-10 - (pair) 10. adjustable aircraft cable

Vapor Tight Strip



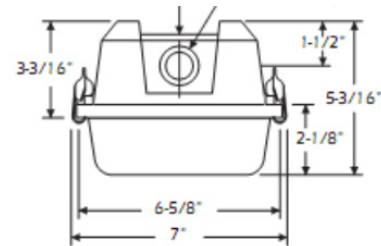
APPLICATION

The VTS series is a gasketed luminaire that provides maximum light output with durable construction. It is ideal for both interior and exterior areas that have cold and moist conditions. The primary benefits of this fixture are trouble-free access to ballast and wiring, various mounting options, and stainless steel latches that enhance a firm seal. Primary applications include chilled storage and manufacturing facilities, food processing areas, parking garages, and outdoor overhangs.

FEATURES

- Rugged light gray polycarbonate housing with continuous paired gasket for an airtight seal, keeping out moisture, dust and humidity.
- Utilizes T5 or T8 lamps.
- Impact resistant polycarbonate lens and snap fit stainless steel latches provide airtight seal.
- Suitable for suspension by chain or cable. Can also be surface mounted.
- Captive, stainless steel snap-action clips secures lens to housing.
- NEC Required Ballast Disconnect is Standard on MV and HV Models
- Nema Premium/CEE qualified ballast found standard on most fixture options (Consult factory for details).

DIMENSIONS



ORDERING INFORMATION

ACCESSORIES

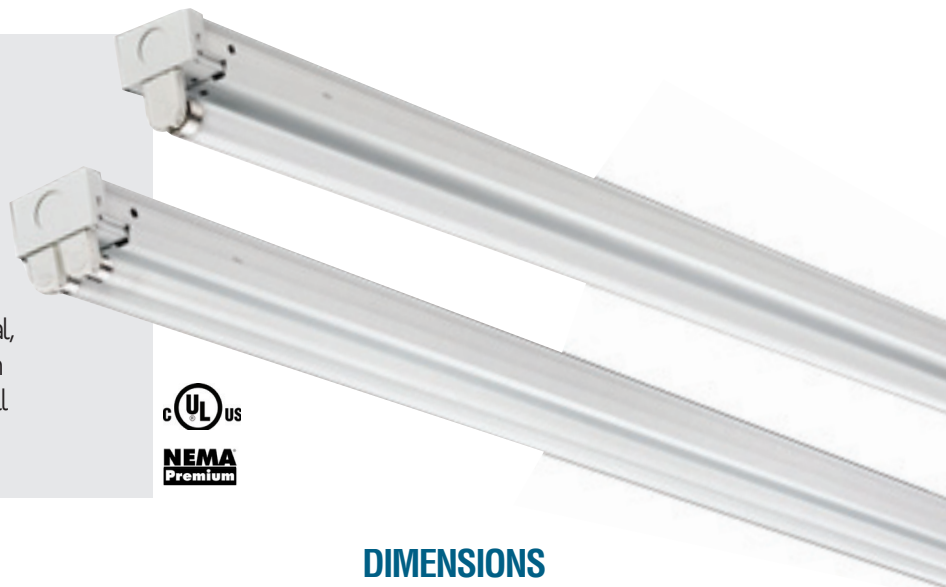
SERIES	# OF LAMPS	LAMP TYPE	VOLTAGE	BALLAST TYPE	BALLAST FACTOR	OPTIONS
VTS	4' Housing 1- 1 Lamp 2- 2 Lamp 3- 3 Lamp 8' Housing 2T- 2 Lamp Tandem 3T- 3 Lamp Tandem 4T- 4 Lamp Tandem	28- 28W T5 32- 32W T8 54- 54W T5HO	120- 120V MV- 120/277V HV- 347/480V	(Blank)- Instant Start* PS- Programmed Start	(Blank)- Normal H- High L - Low	EM5- 450 Lumen Battery Backup EM7- 700 Lumen Battery Backup EM14- 1400 Lumen Battery Backup EM30- 3000 Lumen Battery Backup WG- Wireguard

T8 and T5 lamps (all color temps. available) CH-3.5 AC-10
--

Mini Body T5 Strips

APPLICATION

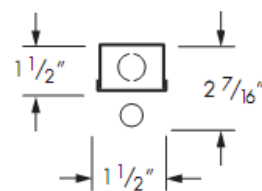
The MS5 Series is a functional and multi-purpose mini strip family that incorporate premium performance and construction durability with T5 Technology offering higher efficiency in a more compact body style than traditional T8 Strips. The compact body style and high lumen packages make it an ideal solution in commercial, industrial, retail and residential applications. The MS5 can be used in storage areas, coves, displays, shops, as well as for task and general area lighting.



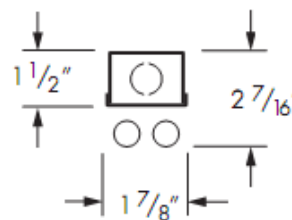
FEATURES

- Channel is made of die formed cold rolled steel housing with numerous KOs for ease of installation.
- Post painted white powder coat steel housing for extreme durability in harsh environments.
- Exclusively designed for the T5 lamp.
- 4100K lamps included on standard T5 models.
- NEC Required Ballast Disconnect is Standard on MV and HV Models.

DIMENSIONS



1 Lamp End View



2 Lamp End View

ORDERING INFORMATION

SERIES	# OF LAMPS	LAMP TYPE	VOLTAGE	BALLAST TYPE	BALLAST FACTOR	OPTIONS
MS5	1- 1 Lamp 1T- 1 Lamp Tandem 2- 2 Lamp 2T- 2 Lamp Tandem	22" Housing 14- 14W T8 24- 24W T5HO 34" Housing 21- 21W T8 39- 39W T5HO 46" Housing 28- 28W T8 54- 54W T5HO	120- 120V MV- 120/277V HV- 347/480V	(Blank)- Instant Start* PS- Programmed Start	(Blank)- Normal H- High L - Low	EM5- 450 Lumen Battery Backup EM7- 700 Lumen Battery Backup EM14- 1400 Lumen Battery Backup EM30- 3000 Lumen Battery Backup

Side Mounted Strips



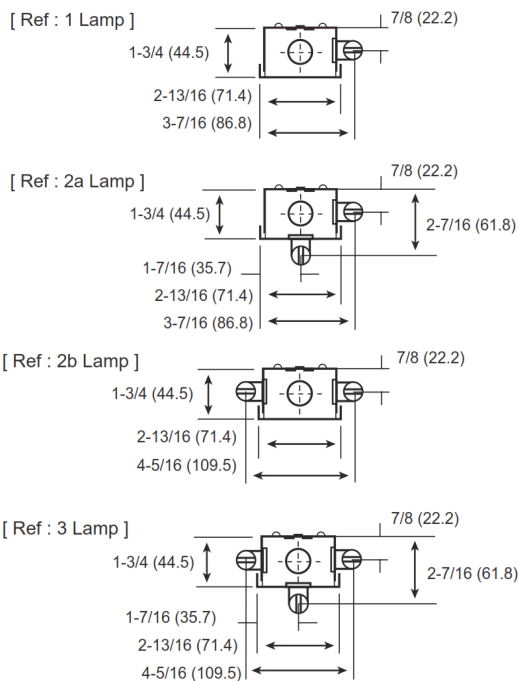
APPLICATION

The SMS series is a functional and multi-purpose side mounted strip family that incorporates premium performance and construction durability. Designed with high quality sockets, the SMS significantly reduces installation time. The SMS series provides a general lighting solution for commercial, industrial, retail and residential applications. Fixtures can be used in storage/utility areas, coves, shops and for general area lighting.

FEATURES

- Die-Formed cold roll steel housing. White powder coated finish.
- Wiring knockouts are provided on back and end of housing, side knockouts for a convenience outlet, a pull chain and conduit.
- Dual function end cap allows for row mounting by sliding into built-in aligning lances.
- Suitable for surface or suspended mounting.
- Select 120V Ballasts are Energy Star qualified, FCC class B for residential and light commercial applications (consult factory for details)

DIMENSIONS



ORDERING INFORMATION

SMS						
SERIES	# OF LAMPS	LAMP TYPE	VOLTAGE	BALLAST TYPE	BALLAST FACTOR	OPTIONS
	1- 1 Lamp 2- 2 Lamps 2L - 2 Lamps 3- 3 Lamps	24" Housing 14- 14W T5 17- 17W T8 24- 24W T5HO 36" Housing 21- 21W T5 25- 25W T8 39- 39W T5HO 48" Housing 28- 28W T5 32- 32W T8 54- 54W T5HO	120- 120V MV- 120/277V 347- 347V	(Blank)- Instant Start* PS- Programmed Start	(Blank)- Normal H- High L - Low	EM5- 450 LUMEN Battery Backup EM7- 700 LUMEN Battery Backup EM14- 1400 LUMEN Battery Backup EM30- 3000 LUMEN Battery Backup

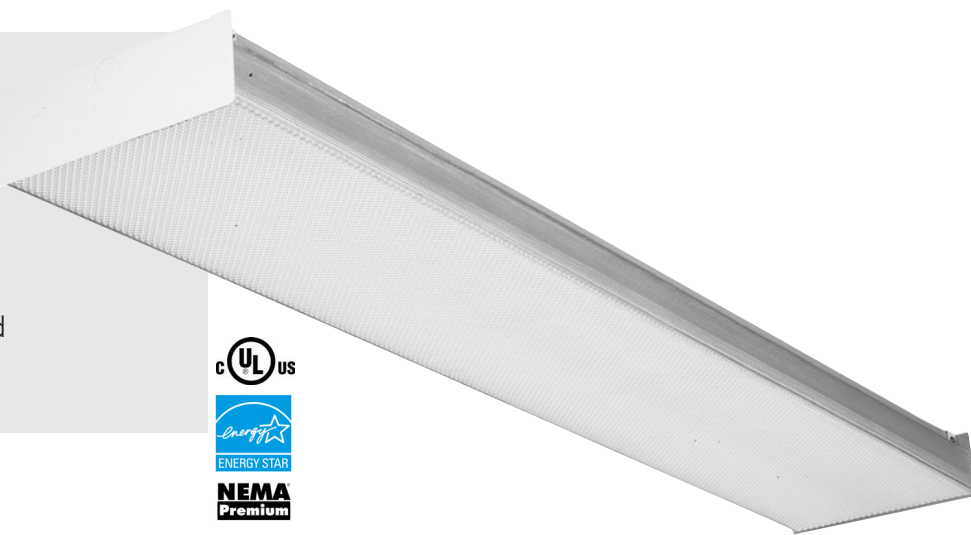
ACCESSORIES

T8 and T5 lamps
(all color temps. available)

Surface Economy Wrap

APPLICATION

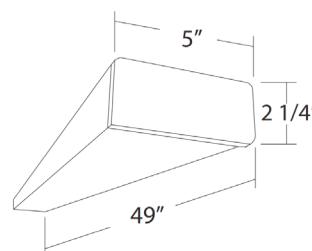
The SEW series is an Entry-Level wraparound that delivers diffused moderate light at a great value. The SEW features a narrow, low profile design, utilizing a clear, extruded diffuser yielding low brightness glare free light. It's an ideal use for closets, utility areas, hallways, kitchens, offices, and various residential and commercial applications.



FEATURES

- Simple, functional and low profile design.
- Features a clear acrylic diffuser, composed of evenly spaced pattern of prisms yielding a glare free diffused light.
- Powder coated steel pans available in 4' lengths.
- Can be wall mounted.
- NEC Required Ballast Disconnect is Standard on MV and HV Models
- Utilizes T8 or T5 lamps in 1 or 2 lamp configurations
- Nema Premium/CEE qualified ballast found standard on most MV & HV models.
- Select 120V Ballasts are Energy Star qualified, FCC class B for residential and light commercial applications (consult factory for details)

DIMENSIONS



ORDERING INFORMATION

SEW							
SERIES	WIDTH	# OF LAMPS	LAMP TYPE	VOLTAGE	BALLAST TYPE	BALLAST FACTOR	OPTIONS
	5-5" Width	1-1 Lamp 2-2 Lamp	48" Housing 28- 28W T5 32- 32W T8 54- 54W T5HO	120- 120V MV- 120/277V	(Blank)- Instant Start* PS- Programmed Start	(Blank)- Normal H- High L - Low	OS- Occupancy Sensor

ACCESSORIES

T8 and T5 lamps
(all color temps. available)

Surface Premium Wrap



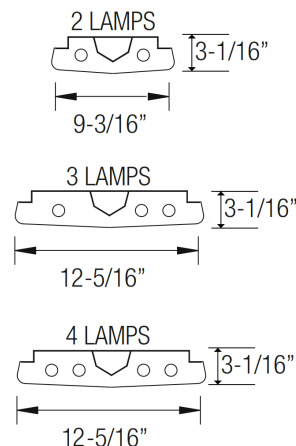
APPLICATION

The SPW series is a specification grade wraparound fixture featuring an aesthetically appealing, low profile and functional design. The SPW utilizes a clear, extruded diffuser yielding low brightness glare free light. Use in closets, utility areas, hallways, kitchens, offices, and various residential and commercial applications.

FEATURES

- Simple, functional and low profile design.
- Powder coated steel housings available in 2', 4', and 8' lengths.
- Utilizes T8 or T5 lamps in 2, 3, or 4 lamp configurations.
- Extruded clear acrylic diffuser composed of linear prisms on the side walls and evenly spaced pattern of conical prisms yielding low brightness, glare free light.
- Select 120V Ballasts are Energy Star qualified, FCC class B for residential and light commercial applications (consult factory for details)
- Lens can be hinged from either side in a lift & ship manner, for ease of re-lamping and cleaning.
- Can be wall mounted.
- NEC Required Ballast Disconnect is Standard on MV and HV Models.
- Nema Premium/CEE qualified ballast found standard on most fixture options (consult factory for details).

DIMENSIONS



ORDERING INFORMATION

ACCESSORIES

SPW	SIZE	# OF LAMPS	LAMP TYPE	VOLTAGE	BALLAST TYPE	BALLAST FACTOR	OPTIONS
9	13	9" Housing 2-2 Lamps 2T- 2 Lamps Tandem (8" Fixture)	24" Housing 14- 14W T5 17- 17W T8 24- 24W T5HO	120- 120V MV- 120/277V	(Blank)- Instant Start* PS- Programmed Start	(Blank)- Normal H- High L - Low	EM5- 450 Lumen Battery Backup EM7- 700 Lumen Battery Backup EM14- 1400 Lumen Battery Backup EM30- 3000 Lumen Battery Backup OS- Occupancy Sensor
		13" Housing 3- 3 Lamps 4- 4 Lamps	48" Housing 28- 28W T5 32- 32W T8 54- 54W T5HO				

T8 and T5 lamps
(all color temps. available)

Surface Mounted Puff

APPLICATION

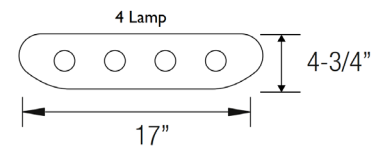
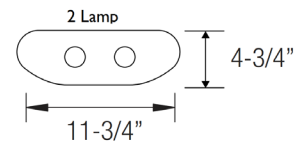
The SMP series is a low-profile "puff/cloud" fixture which provides soft, uniform, diffused light from a flawless, milk white acrylic diffuser. The SMP series provides a general lighting solution for kitchens, offices, hallways, and various residential and commercial applications.



FEATURES

- Simple, functional and low profile design.
- Features a milk white acrylic diffuser yielding a wide spread, glare free, uniform light.
- Powder coated steel housing available in 2' and 4' lengths.
- Utilizes T8 or T5 lamps.
- Nema Premium/CEE qualified ballast found standard on most fixture options
- Select 120V Ballasts are Energy Star qualified, FCC class B for residential and light commercial applications (consult factory for details)
- Lift and shift diffuser design for easy, tool free, cleaning and re-lamping.

DIMENSIONS



ORDERING INFORMATION

SMP						
SERIES	# OF LAMPS	LAMP TYPE	VOLTAGE	BALLAST TYPE	BALLAST FACTOR	OPTIONS
	2- 2 Lamps, 11" Width 4- 4 Lamps, 14" Width	24" Housing 14- 14W T5 17- 17W T8 24- 24W T5HO 48" Housing 28- 28W T5 32- 32W T8 54- 54W T5HO	120- 120V MV- 120/277V	(Blank)- Instant Start* PS- Programmed Start	(Blank)- Normal H- High L - Low	EM5- 450 Lumen Battery Backup EM7- 700 Lumen Battery Backup EM14- 1400 Lumen Battery Backup EM30- 3000 Lumen Battery Backup

Decorative Crown Linear



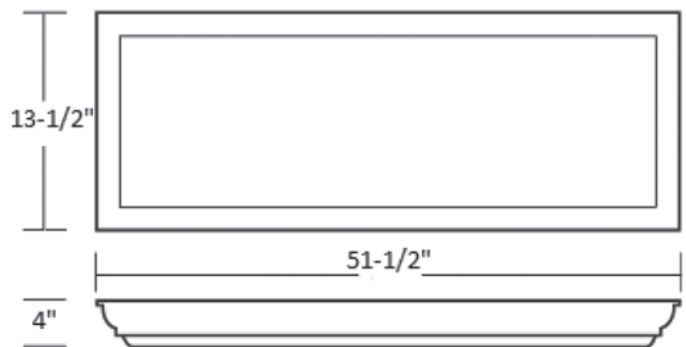
APPLICATION

The CRN series is a “tight to the ceiling” crown fixture designed to match the popular crown molding of ceilings and kitchen cabinetry. The CRN provides a general lighting solution for kitchens, offices, bedrooms, and various residential and commercial applications.

FEATURES

- Simple, functional and low profile design.
- White Painted Crown Molding Flush mount frame.
- Utilizes T8 or T5 lamps in 2 lamp configurations.
- Lift and shift diffuser for easy, tool-free, cleaning and re-lamping.
- Select 120V Ballasts are Energy Star qualified, FCC class B for residential and light commercial applications (consult factory for details)
- Features durable, milk white, acrylic diffuser yielding wide spread, uniform light.
- NEC Required Ballast Disconnect is Standard on MV and HV Models.
- CEE qualified ballast found standard on most fixture options

DIMENSIONS



ORDERING INFORMATION

CRN			
SERIES	# OF LAMPS	VOLTAGE	FINISH
232-T8-	(2) 32W T8	120- 120V	WH- White
254-T5-	(2) 54W T5	MV- 120/277V	
432-T8-	(4) 32W T8		
454-T5-	(4) 54W T5		

General Purpose Troffer



APPLICATION

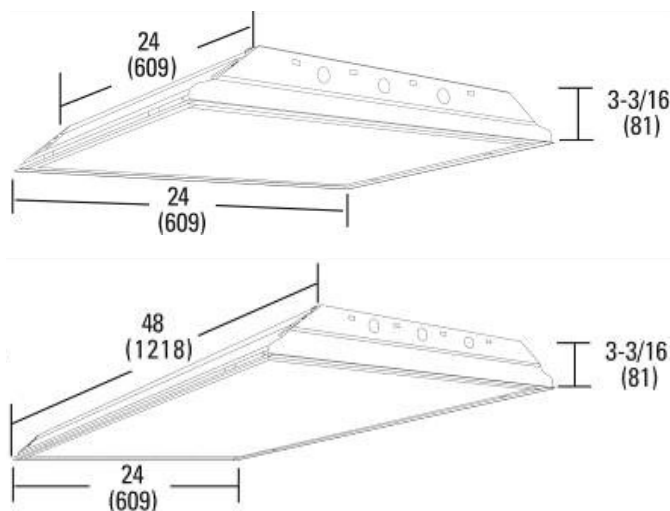
The TRF series is a specification grade family of high performance, energy-efficient, lensed troffers. The TRF series features a low-profile design for shallow plenum applications and utilizes a prismatic lens yielding a moderate, diffused light. Its high efficiency, performance and value make it an ideal choice for commercial and institutional environments.



FEATURES

- Heavy Gauge Cold rolled steel housing.
- Clear, prismatic, pattern #12, 0.1" thick diffuser is held with a hinged steel door frame; and is held closed by two positive cam latches.
- High reflectance white powder coat finish
- Wiring knockouts are provided on back and end of housing.
- Utilizes 2' and 4' T5 or T8 lamps in 2, 3 or 4 lamp configurations.
- NEC Required Ballast Disconnect is Standard on MV and HV Models
- Nema Premium/CEE qualified ballast found standard on most fixture options (consult factory for details).

DIMENSIONS



ORDERING INFORMATION

TRF								
SERIES	SIZE	# OF LAMPS	LAMP TYPE	VOLTAGE	# OF BALLASTS	BALLAST TYPE	BALLAST FACTOR	OPTIONS
14	14	1x4 1-1 Lamps	2x2 14- 14W T5	120- 120V	(Blank)- 1 Ballast	(Blank)- Instant Start*	(Blank)- Normal	EM5- 450 Lumen Battery Backup
22	22	2-2 Lamps	17- 17W T8	MV- 120/277V	2B- 2 Ballast	PS- Programmed Start	H- High	EM7- 700 Lumen Battery Backup
24	24	2x2 & 2x4 2- 2 Lamps 3- 3 Lamps 4- 4 Lamps	24- 24W T5HO 31U- 31W T8 32U- 32W T8 40- 40W TT5	277- 277V 347- 347V			L - Low	EM14- 1400 Lumen Battery Backup EM30- 3000 Lumen Battery Backup FW3- 6' 3 Wire Fixture Whip FW4- 6' 4 Wire Fixture Whip
			1x4 & 2x4 28- 28W T5 32- 32W T8 54- 54W T5HO					

ACCESSORIES

T8 and T5 lamps
(all color temps. available)

Parabolic Troffer



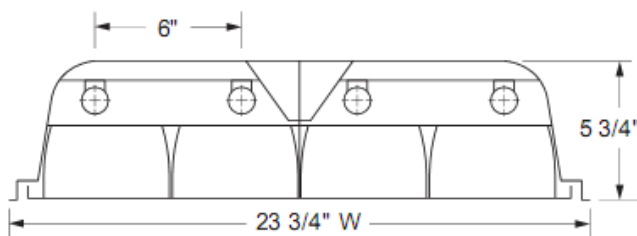
APPLICATION

The PAR series is a specification family of high performance, energy efficient, Parabolic Troffers. The PAR series features deep cell louvers that produce uniform, glare free lighting the 60 degree – 90 degree zone. Ideal for use in open are applications and offices where optical control, visual comfort and light cutoff are important.

FEATURES

- 5-3/4" deep standard 20- gauge cold rolled steel housing. Flanges attach to parabolic body with rivets. Provided with four corner tie points for safety-wire supports.
- Ballast cover or reflector snaps into place; no tools required for ballast access.
- Black reveal provides floating louver appearance
- Semi Specular Silver Louvers
- Powder coated steel housings available in 2' and 4' lengths, in 2, 3 and 4 lamp configurations.
- Utilizes T5 and T8 lamps in 2, 3 and 4 lamp combinations.
- NEC Required Ballast Disconnect is Standard on MV and HV Models
- Nema Premium/CEE qualified ballast found standard on most MV and HV fixture options (consult factory for details).

DIMENSIONS



ORDERING INFORMATION

PAR SERIES	SIZE	# OF LAMPS	LAMP TYPE	CELLS	VOLTAGE	# OF BALLASTS	BALLAST TYPE	BALLAST FACTOR	OPTIONS
14		1x4	2x2	1x4	120- 120V	(Blank)- 1 Ballast	(Blank)- Instant Start*	(Blank)- Normal	EM5- 450 Lumen Battery Backup
22		1- 1 Lamps 2- 2 Lamps	14- 14W T5 17- 17W T8	8C- 8 Cells	MV- 120/277V	2B- 2 Ballast	PS- Programmed Start	H- High	EM7- 700 Lumen Battery Backup
24		2x2 & 2x4 2- 2 Lamps 3- 3 Lamps 4- 4 Lamps	24- 24W T5HO 31U- 31W T8 32U- 32W T8 40- 40W TT5	2x2 9C- 9 Cells 16C- 16 Cells	277- 277V 347- 347V			L - Low	EM14- 1400 Lumen Battery Backup EM30- 3000 Lumen Battery Backup FW3- 6; 3 Wire Fixture Whip FW4- 6; 4 Wire Fixture Whip
			1x4 & 2x4 28- 28W T5 32- 32W T8 54- 54W T5HO	2x4 12C- 12 Cells 18C- 18 Cells 32C- 32 Cells					

Recessed Center Direct Indirect

APPLICATION

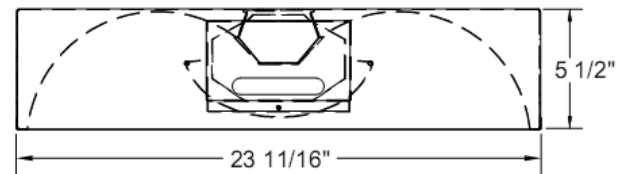
An elegant center basket recessed direct/indirect fluorescent fixture. The RCD series of fixtures provide soft, balanced illumination for a contemporary appearance and comfortable low glare light environment. The housing and lamp compartment are fully recessed above the ceiling plane, minimizing lamp exposure. The perforated baffle and curved reflector produce a combination of direct and indirect light, fully illuminating the fixture housing. Ideal for modern office environments, classrooms, hospitals, and retail spaces.



FEATURES

- Heavy Gauge Cold rolled steel housing.
- Acrylic lens is held with a hinged steel door frame; and is held closed by two positive cam latches
- High reflectance white powder coat finish
- Wiring knockouts are provided on back and end of housing.
- Utilizes 2' and 4' T5 or T8 lamps in 2, 3 or 4 lamp configurations.
- NEC Required Ballast Disconnect is Standard on MV and HV Models
- Nema Premium/CEE qualified ballast found standard on most fixture options (consult factory for details).

DIMENSIONS



End View: 2 x 4 Recessed Deep Direct/Indirect

ORDERING INFORMATION

ACCESSORIES

RCD SERIES	SIZE	SHIELDING	# OF LAMPS	LAMP TYPE	VOLTAGE	# OF BALLASTS	BALLAST TYPE	BALLAST FACTOR	OPTIONS
	14- 1x4' 22- 2x2' 24- 2x4'	P- Radial Perforated L - Radial Louvered/ Perforated	1- 1 Lamps 2- 2 Lamps 3- 3 Lamps	1x4 & 2x2 14- 14W T5 17- 17W T8 24- 24W T5HO 40- 40W T5 1x4 & 2x4 28- 28W T5 32- 32W T8 54- 54W T5HO	MV- 120/277V HV- 347V-480V	(Blank)- 1 Ballast 2B- 2 Ballast	(Blank)- Instant Start* PS- Programmed Start	(Blank)- Normal H- High L - Low	EM5- 450 Lumen Battery Backup EM7- 700 Lumen Battery Backup EM14- 1400 Lumen Battery Backup EM30- 3000 Lumen Battery Backup FW3- 6; 3 Wire Fixture Whip FW4- 6; 4 Wire Fixture Whip

T8 and T5 lamps (all color temps. available)
--

Recessed Side Direct Indirect



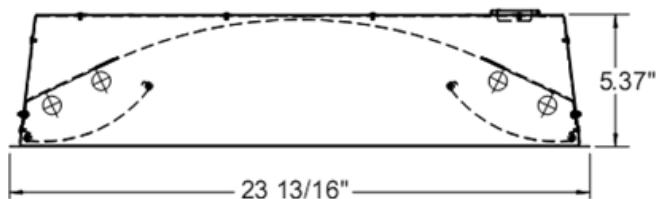
APPLICATION

An elegant side basket recessed direct/indirect fluorescent fixture. The RSD series of fixtures provide soft, balanced illumination for a contemporary appearance and comfortable low glare light environment. The housing and lamp compartment are fully recessed above the ceiling plane, minimizing lamp exposure. The perforated baffle and curved reflector produce a combination of direct and indirect light, fully illuminating the fixture housing.

FEATURES

- Heavy Gauge Cold rolled steel housing.
- High reflectance white powder coat finish and curved reflectors produce a combination of direct and indirect light, fully illuminating the fixture housing.
- Utilizes 2' and 4' T5 or T8 lamps in 2 or 4 lamp configurations.
- NEC Required Ballast Disconnect is Standard on MV and HV Models
- Nema Premium/CEE qualified ballast found standard on most fixture options (consult factory for details).

DIMENSIONS



End View: 2 x 4 Side Direct/Indirect with T5 Lamps

ORDERING INFORMATION

ACCESSORIES

RSD SERIES	SIZE	SHIELDING	# OF LAMPS	LAMP TYPE	VOLTAGE	# OF BALLASTS	BALLAST TYPE	BALLAST FACTOR	OPTIONS
	22-2x2' 24-2x4'	P- Radial Perforated	2- 2 Lamps 4- 4 Lamps	2x2 14- 14W T5 17- 17W T8 24- 24W T5HO 1x4 & 2x4 28- 28W T5 32- 32W T8 54- 54W T5HO	120- 120V MV- 120/277V 277- 277V 347- 347V	(Blank)- 1 Ballast 2B- 2 Ballast	(Blank)- Instant Start* PS- Programmed Start	(Blank)- Normal H- High L - Low	EM5- 450 Lumen Battery Backup EM7- 700 Lumen Battery Backup EM14- 1400 Lumen Battery Backup EM30- 3000 Lumen Battery Backup FW3- 6; 3 Wire Fixture Whip FW4- 6; 4 Wire Fixture Whip

T8 and T5 lamps (all color temps. available)
--

Troffer Fixture Renovation Kit

APPLICATION

Internal retrofit package to convert obsolete fixtures to high efficiency lighting solutions using the latest linear fluorescent lighting technologies.



FEATURES

- Retains existing housing and shielding.
- Kits are available to retrofit 2' x 2' or 2' x 4' fixtures with T8 lamps.
- Installs with simple hand tools.
- Standard kits include: reflector, pre-wired ballast and sockets, socket brackets, and optional bulk lamps.
- Reflector extends the width and length of the fixture interior to maximize light output.
- Energy savings up to 58% compared to 3-lamp or 4-lamp T12 magnetic systems, while maintaining existing light levels.
- NEC Required Ballast Disconnect is Standard on MV and HV Models.
- Kits contain: reflector, pre-wired ballast, sockets, and socket brackets.
- Nema Premium/CEE qualified ballast found standard on most fixture options (consult factory for details).

ORDERING INFORMATION

RTK-TRF							
SERIES	SIZE	# OF LAMPS	LAMP TYPE	VOLTAGE	BALLAST TYPE	BALLAST FACTOR	OPTIONS
	22- 2' x 2' 24- 2' x 4'	2- 2 Lamps 3- 3 Lamps	17- 17W T8 32- 32W T8	120- 120V MV- 120/277V 347- 347V	(Blank)- Instant Start* PS- Programmed Start	(Blank)- Normal H- High L - Low	WR- White Reflector (86%) SA- Specular Aluminum Reflectors (90%)

Strip Fixture Renovation Kit



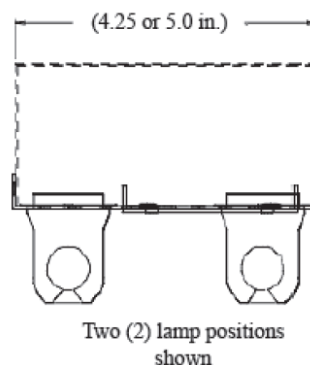
APPLICATION

The RTK-SCS series is an internal retrofit package to convert obsolete fixtures to high efficiency lighting solutions using the latest linear fluorescent lighting technologies. The primary benefits include exceptional color rendering, high system efficacy, 95% lumen maintenance, long lamp life, convenient lamp replacement, and reduced maintenance costs.

FEATURES

- Kits Contains: SF series ballast cover, universal socket brackets, sockets, TEK screws and quarter turn fasteners.
- Pre-wired ballasts and sockets saving valuable installation time
- Utility rebate friendly
- Adjustable brackets fit different channel widths
- Significantly reduced energy usage and maintenance costs
- NEC required ballast disconnect is standard on M and HV models.
- Nema Premium/CEE qualified ballast found standard on most fixture option

DIMENSIONS



ORDERING INFORMATION

SERIES	# OF LAMPS	LAMP TYPE	VOLTAGE	BALLAST TYPE	BALLAST FACTOR	OPTIONS
RTK-SCS	2-2 Lamp 2T-2 Lamp Tandem	32-32W T8	120-120V MV-120/277V HV-347/480V	(Blank)- Instant Start* PS- Programmed Start	(Blank)- Normal H- High L- Low	WR- White Reflector SA- Specular Aluminum Reflectors

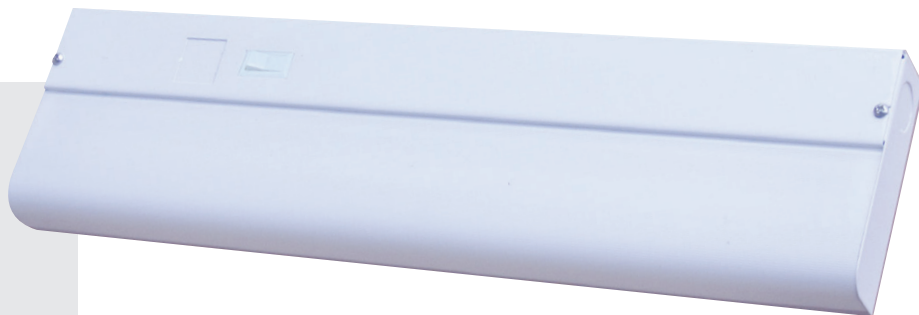
ACCESSORIES

T8 and T5 lamps
(all color temps. available)

T8 Closet Light

APPLICATION

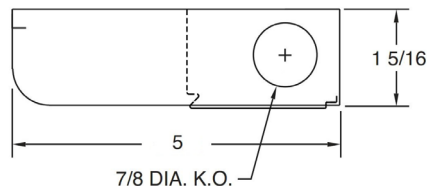
The CL8 series is a shallow and economical fluorescent light with optional pull chain complying with National Electric codes for closet lighting. The CL8 provides general illumination for residential and light commercial applications. Ideal to use in closets, utility rooms, stairwells, or small areas where a compact fixture is needed.



FEATURES

- Rugged post painted low profile housing with secure tray for quick installation and wiring.
- Shatter-resistant, polycarbonate white diffuser provides soft widespread illumination with zip-lock design for easy lamp access, cleaning and superior retention.
- Optional pull chain switch
- Includes (1) 15W or 17W linear T8 4100K fluorescent lamp for energy efficiency and long life. Standard with electronic ballast (120 volt, 60Hz).
- All mounting hardware included.
- Standard with electronic ballast (120V, 60 Hz) ensures no flickering and quiet operation without interfering with other home electronics.

DIMENSIONS



ORDERING INFORMATION

SERIES	LENGTH & LAMP CONFIGURATION	LAMP	OPTIONS
CL8	18 - 18" (1) 15W T8	L741 - 4100K Lamps Installed L735 - 3500K Lamps Installed	PC- Pull Chain Switch

Thinline T8 Undercabinet



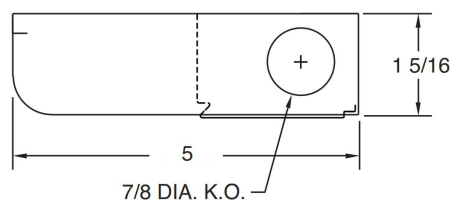
APPLICATION

The UC8 is ideal for under cabinet or display lighting where a compact luminaire design is required. The UC8 provides shadow free lighting in kitchen, work areas, book cases, and display cabinets.

FEATURES

- Snap-fit, shatter-resistant, milk-white polycarbonate diffuser.
- Low profile
- Easy installation and maintenance no tools required for relamping
- Standard with electronic ballast (120 Volt, 60HZ) ensures no flickering and quiet operation. Without interfering with other home electronics.
- Available in four lengths with T8 lamp source.
- Options for rocker switch, convenience outlets, bulbs and cords
- Post painted, solid metal housings

DIMENSIONS



ORDERING INFORMATION

SERIES	WIRING	LENGTH & LAMP CONFIGURATION	LAMP	OPTIONS
UC8	DW- Direct Wire	18- 18" (1) 15W T8 24- 24" (1) 17W T8 36- 36" (1) 25W T8 48- 48" (1) 32W T8	L741- 4100K Lamps Factory Installed L735- 3500K Lamps Factory Installed	RS- Rocker Switch O- Convenience Outlet 515P- 6' White Cord and Plug

Thinline T5 Undercabinet

APPLICATION

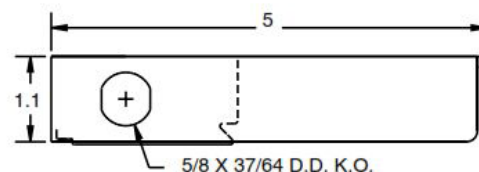
The UC5 is ideal for under cabinet or display lighting where a compact luminaire design is required. The UC5 provides shadow free lighting in kitchens, work areas, book cases, and display cabinets.



FEATURES

- Snap-fit, shatter-resistant, milk-white polycarbonate diffuser.
- Low profile.
- Easy installation and maintenance no tools required for relamping.
- Available in eight lengths with T5 lamp source.
- Options for rocker switch, convenience outlets, bulbs and cords.
- Standard with electronic ballast (120V, 60Hz) ensures no flickering and quiet operation without interfering with other home electronics.
- Post painted, solid metal housings.

DIMENSIONS



ORDERING INFORMATION

UC5			
SERIES	LENGTH & LAMP CONFIGURATION	LAMP	OPTIONS
	9- 9" (1) 6W T5 12- 12" (1) 8W T5 21- 21" (1) 13W T5 24- 24" (2) 8W T5 33- 33" (1) 8W T5 & (1) 13W T 34- 34" (1) 21W T5 42- 42" (2) 13W T5 46- 46" (1) 28W T5	L741- 4100K Lamps Factory Installed L735- 3500K Lamps Factory Installed	RS- Rocker Switch O- Convenience Outlet 515P- 6' White Cord and Plug

Narrow T5 Undercabinet



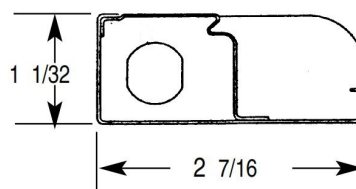
APPLICATION

The UN5 is ideal for under cabinet or display lighting where a compact luminaire design is required. The UN5 provides shadow free lighting in kitchens, work areas, book cases, and display cabinets.

FEATURES

- Snap-fit, shatter-resistant, clear diffuser.
- Low profile.
- Easy installation and maintenance no tools required for relamping.
- Available in five lengths with T5 lamp source.
- Options for rocker switch, bulbs and cords.
- Standard with residential grade electronic ballast (120V, 60Hz) ensures no flickering and quiet operation without interfering with other home electronics.
- Post painted, solid metal housings.

DIMENSIONS



ORDERING INFORMATION

UN5				
SERIES	WIRING	LENGTH & LAMP CONFIGURATION	LAMP	OPTIONS
	DW- Direct Wire LNK- Linkable	12- 12" (1) 8W T5 21- 21" (1) 13W T5 24- 22.5" (1) 14W T5 34- 34" (1) 21W T5 46- 46" (1) 28W T5	L741- 4100K Lamps Factory Installed L735- 3500K Lamps Factory Installed	RS- Rocker Switch

Linkable T5 Stick Light

APPLICATION

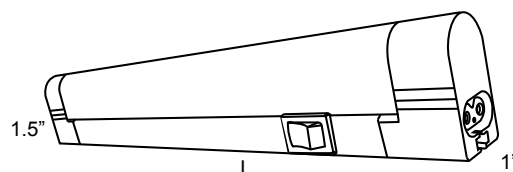
The UL5 Series is a low profile fixture ideal for accent and task lighting, the sleek profile allows the UL5 series to be easily tucked under cabinets, above displays, inside shelves and overhead areas. The T5 linkable under cabinet light can be easily linked together to form a continuous light source. Ideal for use in kitchens, offices, laboratories, closets and displays.



FEATURES

- Low profile design, with off/on rocker switch. Powered by 5' cord-and-plug (Included). Connect multiple fixtures with 13" connector cord (Included).
- Clear diffuser provides soft widespread illumination with tool-less lamp access.
- Includes (1) linear T5 4100K fluorescent lamp for energy efficiency, superior color rendering and long life.
- Standard with residential-grade electronic ballast (120 volt, 60Hz) ensures no flickering and quiet operation without interfering with other home electronics.
- All mounting hardware included
- Maximum continuous run: 280W

DIMENSIONS



ORDERING INFORMATION

SERIES	LAMP CONFIGURATION	LAMP
UL5	8- 13" (1) 8W T5 Lamp 13- 23" (1) 13W T5 Lamp 21- 35" (1) 21W T5 Lamp 28- 48" (1) 28W T5 Lamp	L741- 4100K Lamps Factory Installed L735- 3500K Lamps Factory Installed

T8 Portable Undercabinet



APPLICATION

The PS8 Series is a Plug-In, low profile undercabinet light which Features energy efficient T8 lamps. White diffuser snaps in and out for easy maintenance and relamping. Ideal for use under cabinets, shelving or in display cases.

FEATURES

- Standard with residential grade electronic ballast (120V, 60Hz) ensures no flickering and quiet operation without interfering with other home electronics.
- While diffuser provides soft widespread illumination with tool less lamp access.
- 70% less energy used compared to incandescent or halogen fixtures.
- Lamps included.
- Simple installation. Only 2 screws needed to install fixture (included).
- White, Injection Molded ABS Housing with Acrylic diffuser.

ORDERING INFORMATION

RSD			
SERIES	LENGTH & LAMP CONFIGURATION	LAMP	OPTIONS
	20- (1) 20W T8 Lamp	L741- 4100K Lamps Factory Installed	ILS-C- 6' White Cord and Plug, In-line Switch

T8 Portable Undercabinet

APPLICATION

The PU8 Series is a Plug-In, low profile undercabinet light which Features energy efficient T8 lamps. White diffuser snaps in and out for easy maintenance and relamping. Ideal for use under cabinets, shelving or in display cases.



FEATURES

- Standard with residential grade electronic ballast (120V, 60Hz) ensures no flickering and quiet operation without interfering with other home electronics.
- White diffuser provides soft widespread illumination with tool less lamp access.
- 70% less energy used compared to incandescent or halogen fixtures.
- Lamps included.
- Simple installation. Only 2 screws needed to install fixture (included).
- White, Injection Molded ABS Housing with Acrylic diffuser.

ORDERING INFORMATION

PU8		
SERIES	LAMP	OPTIONS
	L741- 4100K Lamps Factory Installed	RS-C- Rocker Switch 51SP- 6' White Cord and Plug

Linkable LED Task Light



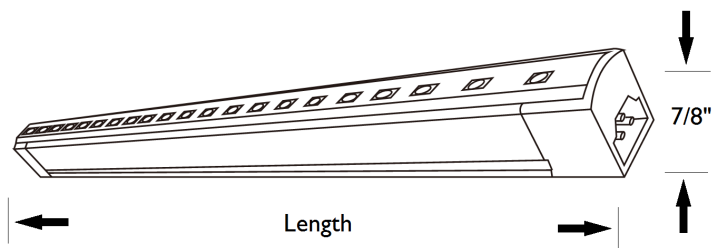
APPLICATION

The GLED is ideal for under cabinet use, cove lighting and other accent lighting applications requiring longer runs. Ideal for use in retail store counters/ case lighting, shelf displays; Trade-show booths, retail and merchandise showroom displays.

FEATURES

- Low profile design with a minimal footprint. Environmentally friendly with no Mercury and no UV or IR emitted, effective lighting levels, and excellent color rendition.
- Each fixture is furnished with (1) Direct Connector, (2) Vertical Mounting Clips, (2) 45° Angled Mounting Clips.
- GLED linkable fixtures may be interconnected end-to-end with Direct Connection or with connecting cables offered in various lengths. Fixture comes complete with cord and plug, for use with any standard wall outlet.
- 120 Degree beam angle.
- Maximum run: 80'

DIMENSIONS



ORDERING INFORMATION

GLEED			
SERIES	LENGTH	KELVIN	FINISH
	12- 12" Length, 3.5W	30K- 3000K	WH- White
	24- 24" Length, 7W	35K- 3500K	
	36- 36" Length, 9.5W	41K- 4100K	
	48- 48" Length, 14.5W	65K- 6500K	

Universal Fan Light Kit

APPLICATION

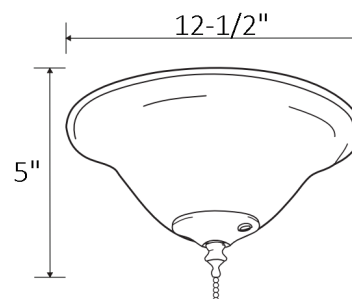
The FLK Series is an alabaster bowl ceiling fan light kit featuring energy efficient self ballasted compact fluorescent lamps and a pull chain switch. May also be operated from a wall or hand held remote (not included). Includes white, oil rubbed bronze and nickel satin finials. This is a universal light kit meant for use with most ceiling fans.



FEATURES

- Easy installation.
- Long life, 10,000 hour average rated lamp life.
- World class phosphor insures high lumen output and excellent lumen maintenance.
- Alabaster glass lens.
- Includes finial combos in Nickel Satin, White and Oil Rubbed Bronze Finishes.
- Operated by pull chain switch (included).
- Includes (2) Warm White (2700K) Self Ballasted GU24 Bulbs.

DIMENSIONS



ORDERING INFORMATION

FLK	
SERIES	LAMP TYPE
	21-13GU- (2) 13W GU24 Lamps

Generic Ceiling Drum



APPLICATION

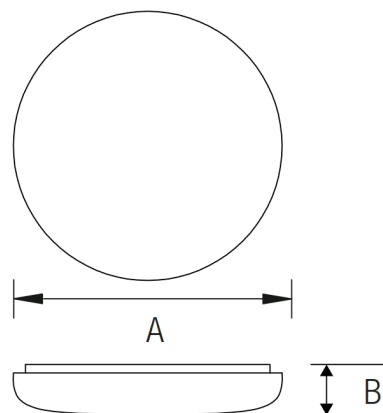
The GCD Series is an energy efficient and economical general lighting solution for various applications. Ideal for use in closets, utility areas, hallways, bedrooms, offices & various residential and commercial applications.



FEATURES

- Simple, functional and low profile design.
- Cloud design with softly contoured “stay white”, acrylic lenses.
- Powder coated steel pans available in 11”, 14” and 19” sizes.
- Available in T9 Circle-Line, PL or GU24 CFL or LED configurations. (Cool White, 4100K lamp included).
- Instant Start, Flicker Free
- Easy Installation
- Can be wall mounted.
- World class phosphor insures high lumen output and excellent lumen maintenance.
- Suitable for damp locations.

DIMENSIONS



GCD-11 (11" Pan)
A. Diameter = 11"
B. Height = 3-1/2"

GCD-14 (14" Pan)
A. Diameter = 14"
B. Height = 3-1/2"

GCD-19 (19" Pan)
A. Diameter = 19"
B. Height = 4

ORDERING INFORMATION

SERIES	PAN SIZE	LAMP TYPE	VOLTAGE	OPTIONS
GCD	11- 11" Pan 14- 14" Pan 19- 19" Pan	11" Pan 12LED - (1) 12W LED Module 1-13GU - (1) 13W GU24 Lamp 1-13PL - (1) 13W PL Lamp 1-22C - (1) 22W Circline Lamp 1-26PL - (1) 26W PL Lamp 1-26GU - (1) 26W GU24 Lamp 2-13PL - (1) 13W PL Lamp 19" Pan 1-4032C - (1) 32W & 40W Circline Lamps	14" Pan 2-13PL - (2) 13W PL Lamps 2-26PL - (2) 26W PL Lamps 2-26GU - (2) 26W GU24 Lamps 1-32C - (1) 32W Circline Lamps 1-2232C - (1) 22W & 32W Circline Lamps	120- 120V EM650-650 Lumen Battery Backup*

*Not available on 11" Fixtures. 14" fixtures require the addition of model EMC-GCC/GCD-14 collar to accommodate battery backup unit.

Generic Ceiling Cloud

APPLICATION

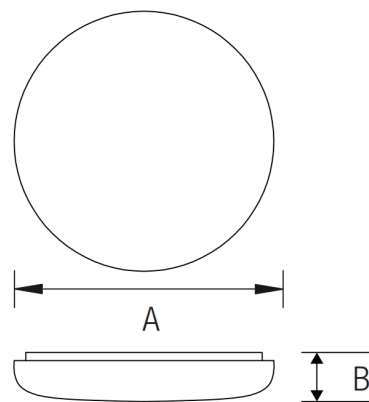
The GCC Series is an energy efficient and economical general lighting solution for various applications. Ideal for use in closets, utility areas, hallways, bedrooms, offices & various residential and commercial applications.



FEATURES

- Simple, functional and low profile design.
- Square design with softly contoured "stay white", acrylic lenses.
- Powder coated steel pans available in 11", 14" and 19" sizes.
- Available in T9 Circle-Line, PL or GU24 CFL or LED configurations (Cool White, 4100K lamp included).
- Instant Start, Flicker Free
- Easy Installation
- Can be wall mounted.
- World class phosphor insures high lumen output and excellent lumen maintenance.
- Suitable for damp locations.

DIMENSIONS



GCC-11 (11" Pan)
A. Diameter = 11"
B. Height = 3-1/2"

GCC-14 (14" Pan)
A. Diameter = 14"
B. Height = 3-1/2"

GCC-19 (19" Pan)
A. Diameter = 19"
B. Height = 4

ORDERING INFORMATION

SERIES	PAN SIZE	LAMP TYPE	VOLTAGE	OPTIONS
GCC	11- 11" Pan 14- 14" Pan 19- 19" Pan	11" Pan 12LED - (1) 12W LED Module 1-13GU - (1) 13W GU24 Lamp 1-13PL - (1) 13W PL Lamp 1-22C - (1) 22W Circline Lamp 1-26PL - (1) 26W PL Lamp 1-26GU - (1) 26W GU24 Lamp 2-13PL - (1) 13W PL Lamp 19" Pan 1-4032C - (1) 32W & 40W Circline Lamps	120- 120V	EM650- 650 Lumen Battery Backup*
		14" Pan 2-13PL - (2) 13W PL Lamps 2-26PL - (2) 26W PL Lamps 2-26GU - (2) 26W GU24 Lamps 1-32C - (1) 32W Circline Lamps 1-2232C - (1) 22W & 32W Circline Lamps		

*Not available on 11" Fixtures. 14" fixtures require the addition of model EMC-GCC/GCD-14 collar to accommodate battery backup unit.

Generic Ceiling Square



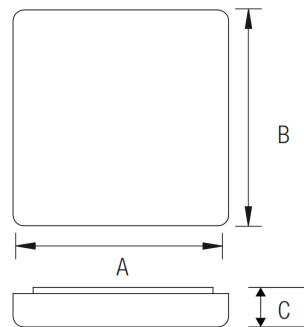
APPLICATION

The GCS Series is an energy efficient and economical general lighting solution for various applications. Ideal for use in closets, utility areas, hallways, bedrooms, offices & various residential and commercial applications.

FEATURES

- Simple, functional and low profile design.
- Square design with softly contoured "stay white", acrylic lenses.
- Powder coated steel pans available in 11", 14" and 19" sizes.
- Available in T9 Circle-Line, PL or GU24 CFL or LED configurations. (Cool White, 4100K lamp included).
- Instant Start, Flicker Free.
- Easy Installation.
- Can be wall mounted.
- World class phosphor insures high lumen output and excellent lumen maintenance.
- Suitable for damp locations.

DIMENSIONS



GCS-11 (11-1/2" Pan)
A. Diameter = 11-1/2"
B. Height = 3-1/2"

GCS-14 (14-1/2" Pan)
A. Diameter = 14-1/2"
B. Height = 3-1/2"

GCS-19 (19-1/2" Pan)
A. Diameter = 19-1/2"
B. Height = 4

ORDERING INFORMATION

GCS				
SERIES	PAN SIZE	LAMP TYPE	VOLTAGE	OPTIONS
	11- 11.5" Pan 14- 14.5" Pan 19- 19.5" Pan	11.5" Pan 1-22C - (1) 22W Circline Lamps 14.5" Pan 1-32C- (1) 32W Circline Lamps 1-2232C- (1) 22W & 32W Circline Lamps 19.5" Pan 1-4032C- (1) 32W & 40W Circline Lamps	120- 120V	EM650- 650 Lumen Battery Backup*

*Not available on 11.5" Fixtures.

Decorative Ceiling Finial

APPLICATION

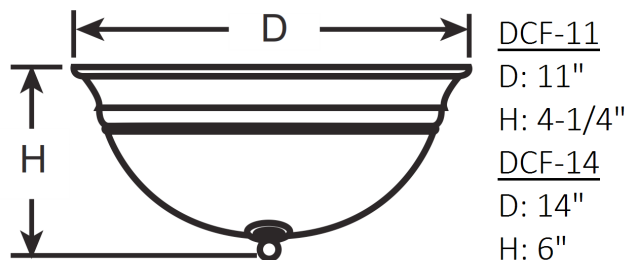
The DCF Series is a contemporary round ceiling mount fixture and is available in three finish options, white, satin nickel or oil rubbed bronze. The DCF is an elegant lighting solution that can be used in various applications including corridors, restrooms, bedrooms and kitchens. Fixture mounts to standard junction box (not included).



FEATURES

- World class phosphor insures high lumen output and excellent lumen maintenance.
- Instant start, flicker free.
- Available in T9 Circle-Line or GU24 CFL Configurations (Warm White, 2700K lamps included).
- Easy installation.
- Long life, 10,000 hour average rated lamp life.
- Alabaster glass lens.

DIMENSIONS



ORDERING INFORMATION

DCF SERIES	SIZE	LAMP TYPE	FINISH
	11- 11" Pan 14- 14" Pan	11" Pan 1-18GU - 18W GU24 Lamp 14" Pan 2-13PL - (2) 13W PL Lamp 2-13GU - (2) 12W GU24 Lamp 1-30C - (1) 30W Circle Line Lamp 2-23GU - (2) 23W GU24 Lamp	WH- White ORB- Bronze NS- Nickel

Oval Ringed Decorative Ceiling Light



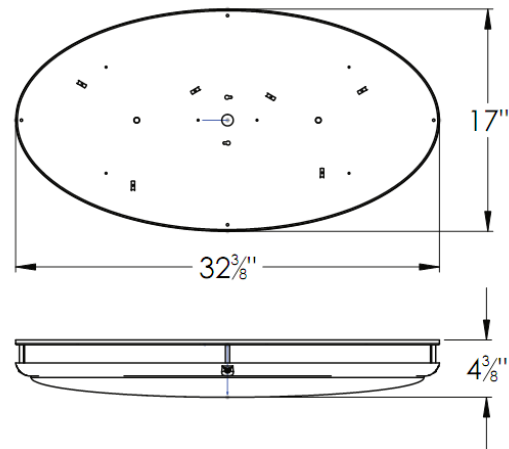
APPLICATION

The DCRO Series is a tiered contemporary framed oval ceiling mount fixture and is available in two finish options, satin nickel or oil rubbed bronze. The DCRO is an elegant lighting solution that can be used in various applications including corridors, restrooms, bedrooms and kitchens. Fixture mounts to standard junction box (not included).

FEATURES

- Easy installation
- Long life, 10,000 hour average rated lamp life
- Diffuser is .080" thick vacuum formed smooth white acrylic. The bronze finish fixture includes a tea stained diffuser.
- Fixture includes (2) 32 watt 2700K circline fluorescent lamps.
- World class phosphor insures high lumen output and excellent lumen maintenance.
- Standard with residential grade electronic ballast (120V, 60HZ) ensures no flickering and quiet operation without interfering with other home electronics.

DIMENSIONS



ORDERING INFORMATION

DCRO			
SERIES	# OF LAMPS & TYPE	VOLTAGE	FINISH
	2-32C- (2) 32W Circline	120- 120V	ORB- Bronze NS- Nickel

Ringed Decorative Ceiling Light

APPLICATION

The DCR Series is a tiered contemporary framed round ceiling mount fixture and is available in two finish options, satin nickel or oil rubbed bronze. The DCR is an elegant lighting solution that can be used in various applications including corridors, restrooms, bedrooms and kitchens. Fixture mounts to standard junction box (not included).



FEATURES

- World class phosphor insures high lumen output and excellent lumen maintenance.
- Easy installation
- Instant start, flicker free
- Diffuser is .080" thick vacuum formed smooth white acrylic. The bronze finish fixture includes a tea stained diffuser.
- Available in T9 Circle-Line, GU24 CFL or LED configurations. (Warm White, 2700K lamp included).
- Easy Installation



DIMENSIONS



ORDERING INFORMATION

DCR SERIES	SIZE	LAMP TYPE	FINISH
	12-12" 14-14"	12" Fixture 22 - 22W T9 Circline Lamp 23GU - 23W GU24 Lamp 26PL - 26W PL Lamp 14" Fixture 22 - 22W T9 Circline Lamp 32 - 32W T9 Circline Lamp 52PL - (2) 26W PL Lamp 54 - 22W & 32W T9 Circline Lamps 12LED- (1) 12W LED Module	ORB- Bronze NS- Nickel

Decorative Ceiling Light



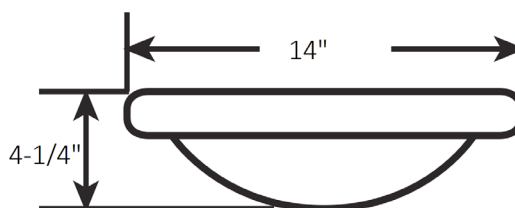
APPLICATION

The DCL Series is a contemporary round ceiling mount fixture and is available in three finish options, white, satin nickel or oil rubbed bronze. The DCL is an elegant lighting solution that can be used in various applications including corridors, restrooms, bedrooms and kitchens. Fixture mounts to standard junction box (not included).

FEATURES

- World class phosphor insures high lumen output and excellent lumen maintenance.
- Available in GU24 CFL or LED configurations. (Warm White, 2700K lamp included).
- Instant start, flicker free.
- Easy installation.
- Alabaster glass lens.

DIMENSIONS



ORDERING INFORMATION

DCL		
SERIES	LAMP TYPE	FINISH
	14" Pan 12LED - (1) 12W LED Module 1-26GU - (1) 26W GU24 Lamp 23GU - (2) 23W GU24 Lamp	WH- White NS- Nickel Satin ORB- Oil Rubbed Bronze

Decorative Ceiling Mushroom

APPLICATION

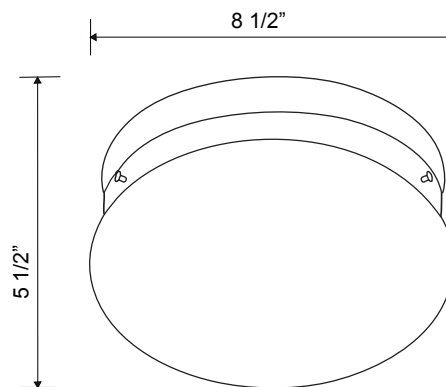
The DCM Series is an attractive, low-cost decorative ceiling mount fixture and is available in three finish options, white, satin nickel or oil rubbed bronze. The DCM is an elegant lighting solution that can be used in various applications including corridors, bedroom, closets and laundry rooms. Fixture mounts to standard junction box (not included).



FEATURES

- World class phosphor insures high lumen output and excellent lumen maintenance.
- Instant start, flicker free.
- Includes 2700K fluorescent lamps for energy efficiency, superior color rendering and long life.
- Long life, 10,000 hour average rated lamp life.
- Easy installation
- Alabaster glass lens

DIMENSIONS



ORDERING INFORMATION

DCM SERIES	LAMP TYPE	FINISH
	13PL - 13W PL Lamp	WH- White
	13GU - 13W GU24 Lamp	ORB- Bronze
	18PL - 18W PL Lamp	NS- Nickel
	18GU - 18W GU24 Lamp	
	26PL - 26W PL Lamp	
	26GU - 26W GU24 Lamp	

Decorative Ceiling Globe



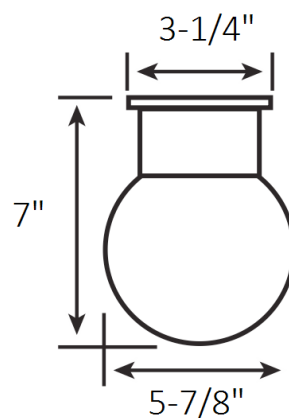
APPLICATION

The DCG Series provides an attractive low-cost lighting solution in residential and light commercial applications. Ideal for use in foyers, hallways, bedrooms, offices, utility work areas, stairways and many other residential applications.

FEATURES

- World class phosphor insures high lumen output and excellent lumen maintenance.
- Instant start, flicker free.
- Includes 2700K fluoresent lamps for energy efficiency, superior color rendering and long life.
- Long life, 10,000 hour average rated lamp life.
- Easy installation.
- Alabaster glass lens.
- Optional Pull Chain Switch.

DIMENSIONS



ORDERING INFORMATION

SERIES	LAMP TYPE	FINISH	OPTIONS
DCG			
	13PL - 13W PL Lamp 13GU - 13W GU24 Lamp	WH- White ORB- Bronze NS- Nickel	PC- Pull Chain Switch

Extruded Vanity Light

APPLICATION

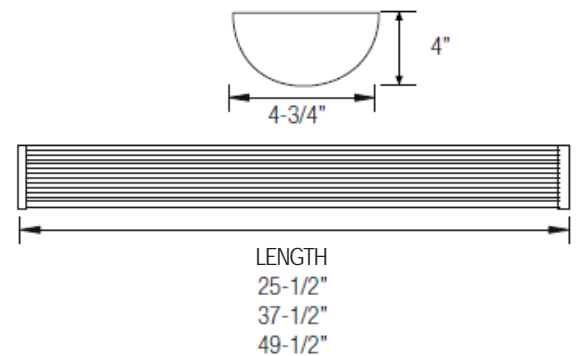
The EVL Series provides a general lighting solution for vanity applications, stairwells and corridors in residences as well as commercial and industrial building.



FEATURES

- Meets ADA Requirements
- Simple, functional and low profile design.
- Linear contoured "stay white", opal acrylic lenses.
- White enamel body steel pan with plastic end caps.
- End caps available in Bronze and Nickel Finish on Special Order.
- Available in 2', 3' and 4' lengths.
- Utilizes T8 or T5 Lamps.
- NEC Required Disconnect is standard on MV and HV Models.
- Nema Premium/CEE Qualified ballast found standard on most MV and HV fixture options.
- Select 120V Ballasts are Energy Star qualified, FCC class B for residential and light commercial applications (consult factory for details).

DIMENSIONS



ORDERING INFORMATION

EVL						
SERIES	# OF LAMPS	LAMP TYPE	VOLTAGE	BALLAST TYPE	BALLAST FACTOR	OPTIONS
	1- 1 Lamps 2- 2 Lamps	25" Housing 14- 14W T5 17- 17W T8 24- 24W T5HO 37" Housing 21- 21W T5 25- 25W T8 39- 39W T5HO 48" Housing 28- 28W T5 32- 32W T8 54- 54W T5HO	120- 120V MV- 120/277V	(Blank)- Instant Start* PS- Programmed Start	(Blank)- Normal H- High L - Low	EM5- 450 Lumen Battery Backup EM7- 700 Lumen Battery Backup EM14- 1400 Lumen Battery Backup EM30- 3000 Lumen Battery Backup

ACCESSORIES

T8 and T5 lamps
(all color temps. available)

Wall Bracket/Stairwell Luminaire



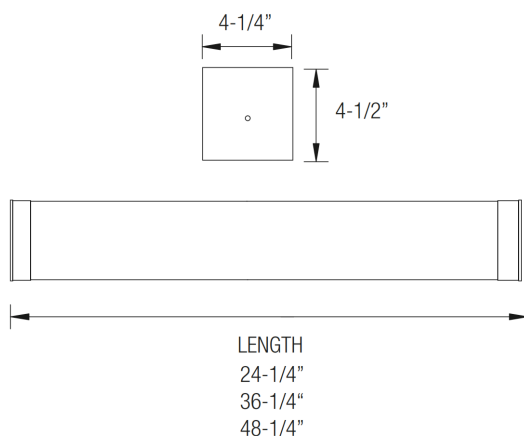
APPLICATION

The WLV series is a general lighting solution for wall mounted applications in residences as well as commercial and industrial buildings. Suitable for restrooms, stairwells, corridors, utility rooms, laundry rooms and various residential and commercial applications.

FEATURES

- Meets ADA Requirements.
- Simple, functional and low profile design.
- Energy saving fixtures with linear contoured "stay white" acrylic lenses.
- White enamel body steel pans and plastic endcaps.
- Available in 2, 3' and 4' lengths.
- Utilizes T8 and T5 Lamps.
- NEC Required Disconnect is standard on MV and HV Models.
- Nema Premium/CEE Qualified ballast found standard on most MV and HV fixture options.
- Select 120V Ballasts are Energy Star qualified, FCC class B for residential and light commercial applications (consult factory for details)

DIMENSIONS



ORDERING INFORMATION

WLV						
SERIES	# OF LAMPS	LAMP TYPE	VOLTAGE	BALLAST TYPE	BALLAST FACTOR	OPTIONS
	1- 1 Lamps 2- 2 Lamps	25" Housing 14- 14W T5 17- 17W T8 24- 24W T5HO 37" Housing 21- 21W T5 25- 25W T8 39- 39W T5HO 48" Housing 28- 28W T5 32- 32W T8 54- 54W T5HO 1732- (1) 17W & 32W T8 Lamps	120- 120V MV- 120/277V	(Blank)- Instant Start* PS- Programmed Start	(Blank)- Normal H- High L - Low	EM5- 450 Lumen Battery Backup EM7- 700 Lumen Battery Backup EM14- 1400 Lumen Battery Backup EM30- 3000 Lumen Battery Backup O- Convenience Outlet UOS- Ultrasonic Occupancy Sensor PC- Pull Chain Switch

*Programmed Start Ballasts are required for fixtures using T5 lamps

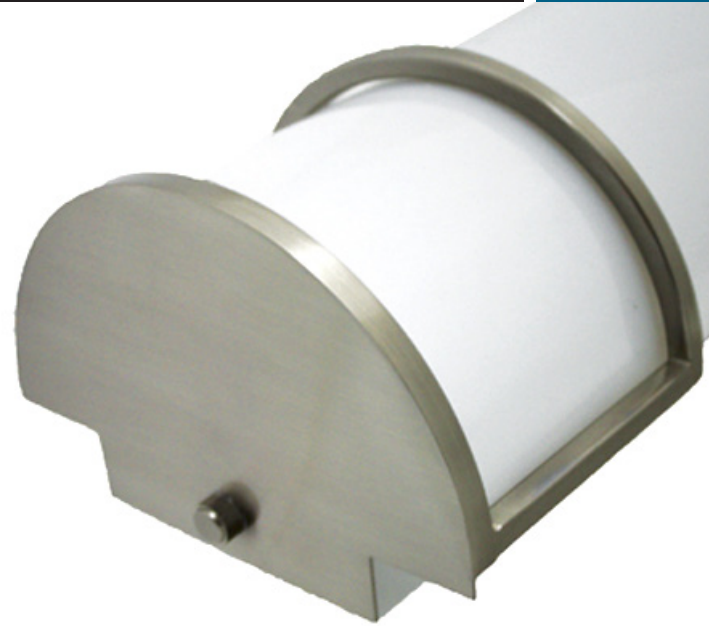
ACCESSORIES

T8 and T5 lamps
(all color temps. available)

Ringed Vanity Light

APPLICATION

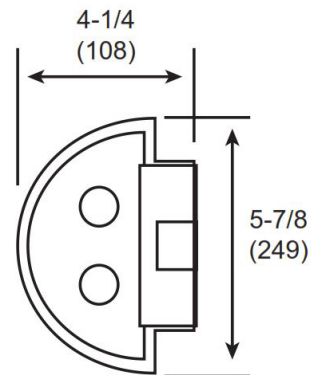
The RVL Series tiered contemporary framed wall mounted vanity fixture and is available in two finish options, satin nickel or oil rubbed bronze. The RVL is an elegant lighting solution that can be used in various applications including corridors and restrooms. Fixture mounts to standard junction box (not included).



FEATURES

- World class phosphor insures high lumen output and excellent lumen maintenance.
- Instant Start, flicker free.
- Easy Installation
- Diffuser is .080" thick vacuum formed smooth white acrylic. The bronze finish fixture includes a tea stained diffuser.
- Includes 2700K fluorescent lamps for energy efficiency, superior color rendering and long life.

DIMENSIONS



ORDERING INFORMATION

RVL SERIES	# OF LAMPS & TYPE	FINISH
	1-18GU- (1) 18W GU24 Lamp	ORB- Oil Rubbed Bronze
	1-18PL - (1) 18W PL Lamp	NS- Nickel Satin
	1-26GU- (1) 26W GU24 Lamp	
	1-26PL - (1) 26W PL Lamp	

Decorative Glass Vanity Light



APPLICATION

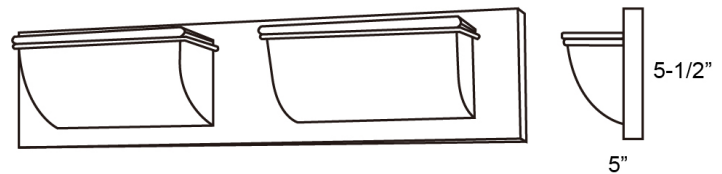
The GVL Series is contemporary wall mounted vanity fixture and is available in two finish options in a satin nickel finish. The GVL is an elegant lighting solution that can be used in various applications including corridors, restrooms and kitchens. Fixture mounts to standard junction box (not included).



FEATURES

- Easy installation.
- Long life, 10,000 hour average rated lamp life.
- Instant start, flicker free.
- World class phosphor insures high lumen output and excellent lumen maintenance.
- Curved alabaster glass lenses.
- Includes 2700K Fluorescent Lamps for energy efficiency, superior color rendering and long life.

DIMENSIONS



ORDERING INFORMATION

GVL			
SERIES	# OF LAMPS	LAMP TYPE	FINISH
	2- 1 Lamps, 24" Width	13GU- GU24 Self Ballasted Lamp	NS- Nickel Satin
	3- 3 Lamps, 36" Width (SPECIAL ORDER ONLY)	13PL - 13W PL Lamp	
	4- 4 Lamps, 48" Width (SPECIAL ORDER ONLY)	18GU- GU24 Self Ballasted Lamp	
		18PL - 18W PL Lamp	

Decorative Globe Vanity

APPLICATION

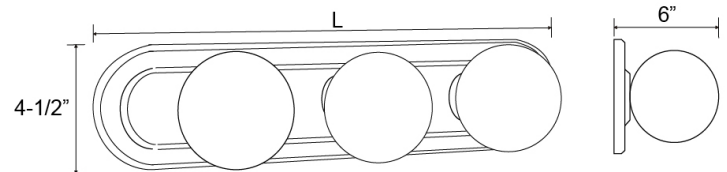
The DGV Series is contemporary wall mounted vanity fixture and is available in two finish options in a satin nickel and oil rubbed bronze. The DGV is an elegant, low-cost lighting solution that can be used in various applications including corridors, restrooms and kitchens. Fixture mounts to standard junction box (not included).



FEATURES

- Easy installation.
- Long life, 10,000 hour average rated lamp life.
- Flicker Free 2700K GU24 Self Ballasted Lamps (included).
- World class phosphor insures high lumen output and excellent lumen maintenance.
- White opal glass diffusers.
- Instant start, flicker free.

DIMENSIONS



ORDERING INFORMATION

DGV			
SERIES	# OF LAMPS	LAMP TYPE	FINISH
	3- 3 Lamps 4- 4 Lamps	13GU- GU24 Self Ballasted Lamp	ORB- Oil Rubbed Bronze NS- Nickel Satin

Decorative Wall Sconce



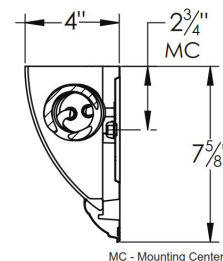
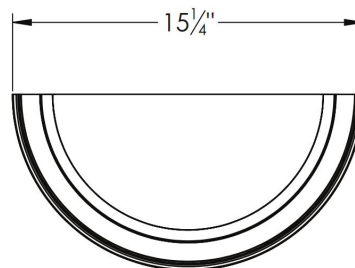
APPLICATION

The DWS Series is elegant wall sconce fixture which provides accent illumination that visually expands the space and creates a relaxing atmosphere. Ideal for use in hallways, stairways, dining areas, foyers and meeting rooms for residential and commercial applications.

FEATURES

- Residential Grade electronic ballast (120V, 60HZ) ensures no flickering & quiet operation.
- Meets ADA requirements
- Easy installation.
- Long life, 10,000 hour average rated lamp life.
- Instant start, flicker free.
- World class phosphor insures high lumen output and excellent lumen maintenance.
- Alabaster glass lens.

DIMENSIONS



ORDERING INFORMATION

DWS			
SERIES	PAN DESIGN	# OF LAMPS & TYPE	FINISH
	R- Ribbed S- Smooth	1-18GU- 18W GU24 Lamp 1-18PL - 18W PL Lamp 1-26GU - 26W GU24 Lamp 1-26PL - 26W PL Lamp	ORB- Oil Rubbed Bronze NS- Nickel Satin WH- White

Half-Round Wall Sconce

APPLICATION

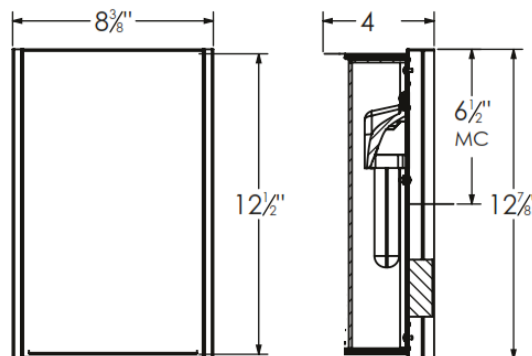
The RWS Series is a contemporary wall sconce fixture which provides accent illumination that visually expands the space and creates a relaxing atmosphere. Ideal for use in hallways, stairways, dining areas, foyers and meeting rooms for residential and commercial applications.



FEATURES

- Residential Grade electronic ballast (120V, 60HZ) ensures no flickering & quiet operation.
- Meets ADA requirements
- Easy installation.
- Long life, 10,000 hour average rated lamp life.
- Instant start, flicker free.
- World class phosphor insures high lumen output and excellent lumen maintenance.
- Alabaster glass lens.

DIMENSIONS



ORDERING INFORMATION

RWS		
SERIES	# OF LAMPS & TYPE	FINISH
	1-18GU- (1) 18W GU24 Lamp	ORB- Oil Rubbed Bronze
	1-18PL - (1) 18W PL Lamp	NS- Nickel Satin
	1-26GU- (1) 26W GU24 Lamp	
	1-26PL - (1) 26W PL Lamp	

Outdoor Wall Jar Fixtures



APPLICATION

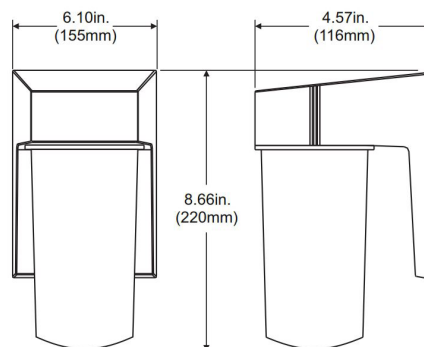
The OWJ series is a functional & economical outdoor jar fixture with a clean, basic design ideal for lighting patios, entryways, stairwells and corridors, creating an inviting exterior space as well as providing safety and security. Made of sturdy, weather-resistant polycarbonate housing, suitable for wet locations.



FEATURES

- Optional Dusk to Dawn Photocell for automatic on/off operation.
- High Impact Polycarbonate housings available in Black or White Finishes. Consult factory for custom finish options.
- All Mounting Hardware Included
- Available in PL & GU24 CFL Configurations for energy efficiency, superior color rendering and long life. (Cool White, 4100K lamps included).
- Residential Grade Electronic Ballast (120V, 60HZ) ensures no flickering and quiet operation.
- Clear Prismatic Acrylic Lens.

DIMENSIONS



ORDERING INFORMATION

OWJ			
SERIES	LAMP TYPE	FINISH	OPTIONS
	13GU- 13W GU24 Lamp 13PL - 13W PL Lamp	WH- White BL - Black	P- Photocell

Outdoor Bulkhead Fixtures

APPLICATION

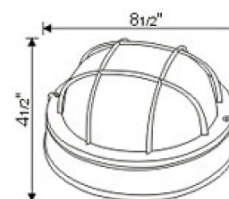
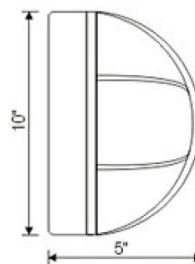
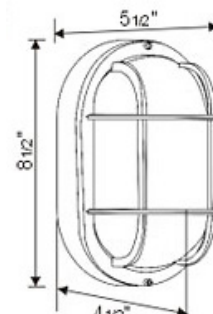
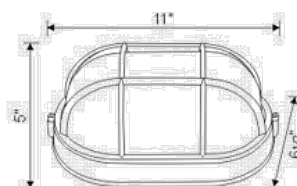
The OBH Series are a family of Oval and Round Bulkhead luminaires that are designed for durability and performance to withstand today's toughest environments, including schools, parking garages, office complexes and any other application prone to vandalism.



FEATURES

- Weatherproof Die cast surface mount housing, suitable for wet locations.
- Optional Dusk-to-Dawn photocell for automatic on/off operation.
- Sealed for prevention of dirt, moisture and insects entering into luminaire
- Powder coated housings available in Black, White and Nickel Satin finishes. Contact factory for custom finishes.
- Utilizes Self Ballasted GU24 Lamps.

DIMENSIONS



ORDERING INFORMATION

OBH					
SERIES	SHAPE	SIZE	LAMP TYPE	FINISH	OPTIONS
R - Round	S - Small (8")	Small Housing 18GU- 18W GU24 Lamp	WH - White	P - Photocell	
O - Oval	L - Large (11")	Large Housing 26GU- 26W GU24 Lamp	BL - Black		
			NS - Nickel Satin		

Panorama Security Fixture



APPLICATION

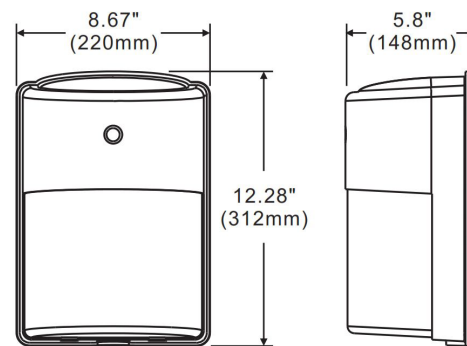
The PWP series is a functional exterior wall pack fixture featuring a curved frosted glass lens, ideal for lighting patios, entryways, stairwells and corridors, creating an inviting exterior space as well as providing safety and security. Made of sturdy, steel housing suitable for wet locations.



FEATURES

- Easy installation.
- Optional Dusk to Dawn Photocell Provides automatic on/off operation.
- Powder coated steel housings available in Black or White Finishes. Consult factory for custom finish options.
- Standard 4100K 26 Watt GU24 (Lamp Included). Consult factory for additional kelvin temperatures, lamp and ballast combinations.
- Sturdy Frosted Glass Lens
- Easy change GU24 bulb/ballast combination.
- All mounting hardware included.

DIMENSIONS



ORDERING INFORMATION

SERIES	WATTAGE	FINISH
PWP		
26-GU-DOM-26W GU24 Lamp		BL - Black
42-GU-DOM-42W PL Lamp & Ballast		WH - White

Thin Wall Pack



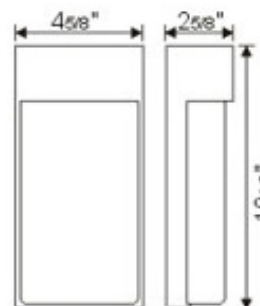
APPLICATION

The TWP series is a functional exterior wall pack fixture featuring clear or opal acrylic lenses, ideal for lighting patios, entryways, stairwells and corridors, creating an inviting exterior space as well as providing safety and security. Made of sturdy, steel housing suitable for wet locations.

FEATURES

- Easy installation.
- All mounting hardware included.
- Standard with residential grade electronic ballast (120V, 60HZ) Ensures no flickering and quiet operation without interfering with other home electronics.
- Optional Dusk to Dawn Photocell for automatic on/off operation.
- Powder coated steel housings available in Black or White Finishes. Consult factory for custom finish options.
- Standard 4100 Kelvin 13 or 26 Watt PL lamps included. Consult factory for additional kelvin temperatures, lamp and ballast combinations.
- Clear or Opal acrylic lenses.

DIMENSIONS



ORDERING INFORMATION

TWP				
SERIES	LAMP TYPE	HOUSING	LENS	OPTIONS
	13PL - 13W PL Lamp 26PL - 26W PL Lamp	WH - White BL - Black	O - Opal C - Clear	P - Photocell

Utility Wall Pack



APPLICATION

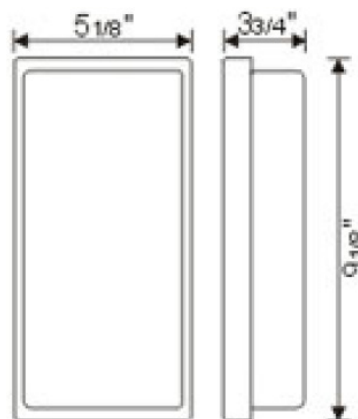
The UWP series is a versatile interior/exterior wall pack fixture featuring clear or opal acrylic lenses, ideal for lighting patios, entryways, stairwells and closets creating an inviting interior/exterior space as well as providing safety and security. Made of sturdy, steel housing suitable for wet locations.

FEATURES



- Easy installation.
- All mounting hardware included.
- Optional Pull Chain.
- Powder coated steel housings available in Black or White Finishes. Consult factory for custom finish options.
- Standard 4100 Kelvin 13 or 26 Watt GU24 lamp included. Consult factory for additional kelvin temperatures, lamp and ballast combinations.
- Clear or Opal acrylic lenses.
- Standard with residential grade electronic ballast (120V, 60HZ). Ensures no flickering and quiet operation without interfering with other home electronics.

DIMENSIONS



ORDERING INFORMATION

UWP				
SERIES	LAMP TYPE	HOUSING	LENS	OPTIONS
	13PL - 13W PL Lamp 26PL - 26W PL Lamp	WH - White BL - Black	O - Opal C - Clear	PC - Pull Chain Switch

Decorative Square Lantern

APPLICATION

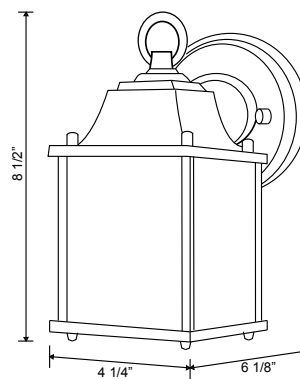
The DOS Series is a Traditional style, exterior square lantern which features a frosted glass lens, available in powder coated black or oil rubbed bronze finish. The DOS mounts to a wall and creates a warm, inviting exterior space as well as providing safety and security. Made of sturdy, die cast aluminum housing. Ideal for use in hallways, garages, and driveways.



FEATURES

- Easy installation.
- Long life, 10,000 hour average rated lamp life.
- World class phosphor insures high lumen output and excellent lumen maintenance.
- White Opal Diffusers.
- Optional Dusk to Dawn Photocell Provides automatic on/off operation.
- Frosted Glass Lens
- Available in GU24 CFL Configurations for energy efficiency, superior color rendering and long life. (Warm White, 2700K lamps included).
- Instant Start, Flicker Free

DIMENSIONS



ORDERING INFORMATION

DOS			
SERIES	LAMP TYPE	FINISH	OPTIONS
	18GU- 18W GU24 Lamp 26GU- 26W GU24 Lamp	ORB- Oil Rubbed Bronze BL - Black	P- Photocell

Decorative Outdoor Pocket Lantern



APPLICATION

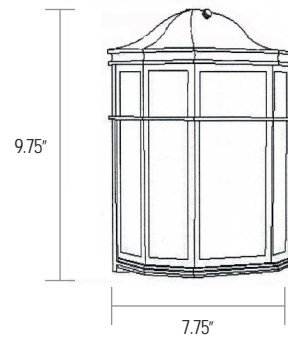
The DOP Series is a Traditional style, exterior pocket lantern which features a milk white acrylic lens, available in powder coated black or white finish. The DOP mounts flush to a wall creates a warm, inviting exterior space as well as providing safety and security. Made of sturdy, die cast aluminum housing. Ideal for use in hallways, garages, and driveways.



FEATURES

- Long life, 10,000 hour average rated lamp life.
- Instant start, flicker free.
- World class phosphor insures high lumen output and excellent lumen maintenance.
- Optional Dusk to Dawn Photocell Provides automatic on/off operation.
- Milk White Acrylic Lens.
- Available in PL & GU24 CFL Configurations for energy efficiency, superior color rendering and long life. (Warm White, 2700K lamps included).

DIMENSIONS



ORDERING INFORMATION

SERIES	LAMP TYPE	FINISH	OPTION
DOP			
	18PL - 18W PL Lamp 18GU - 18W GU24 Lamp 26PL - 26W PL Lamp 26GU - 26W GU24 Lamp	WH - White BL - Black	P - Photocell

Decorative Coach Lantern

APPLICATION

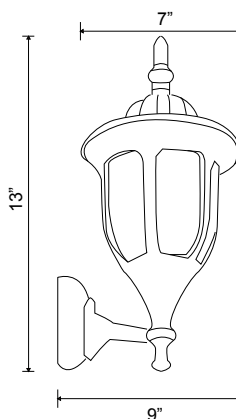
The DOC Series is a Traditional style, exterior pocket lantern which features a Frosted Glass lens, available in powder coated black, oil rubbed bronze or white finish. The DOC mounts flush to a wall creates a warm, inviting exterior space as well as providing safety and security. Made of sturdy, die cast aluminum housing. Ideal for use use in hallways, garages, and driveways.



FEATURES

- Easy installation.
- Long life, 10,000 hour average rated lamp life.
- Optional Dusk to Dawn Photocell. Provides automatic on/off operation.
- Frosted Glass Lens
- Available in GU24 CFL Configurations for energy efficiency, superior color rendering and long life. (Warm White, 2700K lamps included).
- Instant Start, Flicker Free World class phosphor insures high lumen output and excellent lumen maintenance.
- White Opal Diffusers.

DIMENSIONS



ORDERING INFORMATION

DOC			
SERIES	LAMP TYPE	FINISH	OPTIONS
	18GU- 18W GU24 Lamp 26GU- 26W GU24 Lamp	ORB- Oil Rubbed Bronze BL - Black W - White	P- Photocell

Twin Head Emergency Light



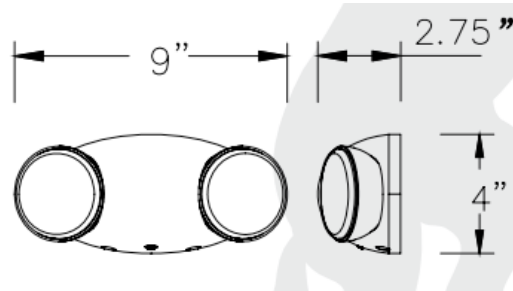
APPLICATION

THE Series combines a low-profile, contemporary appearance with LED economy and dependability. Fully adjustable heads complement any application. Provides a minimum of 90 minutes of illumination for the rated wattage upon loss of AC power. Ideal for applications requiring attractive unit equipment with quick installation.

FEATURES

- Push-to-test Switch
- LED Charge Indicator
- Ni-Cad Premium Battery
- Dual Voltage 120V/277V
- Specification Grade Design
- Universal Mount
- Long Life Energy Saving LED light source
- Fully adjustable glare free LED lighting heads
- Universal mounting pattern knockout in backplate for J-box mounting
- Snap fit construction speeds installation
- Injection-molded, V-O flame retardant, high impact thermoplastic housing.

DIMENSIONS



ELECTRICAL SPECIFICATIONS

Lamp Type	LED
Lamp Wattage	120VAC, 60Hz, 0.0898A, 0.56W 277VAC, 60Hz, 0.00736A, 0.54W
Emergency Operation	90 Minutes

ORDERING INFORMATION

THE	HOUSING	OPTIONS
SERIES		
	W- White B- Black	SD- Self Diagnostic RC- Remote Capable EM- NiCad Battery

Fixed Optics Emergency Light

APPLICATION

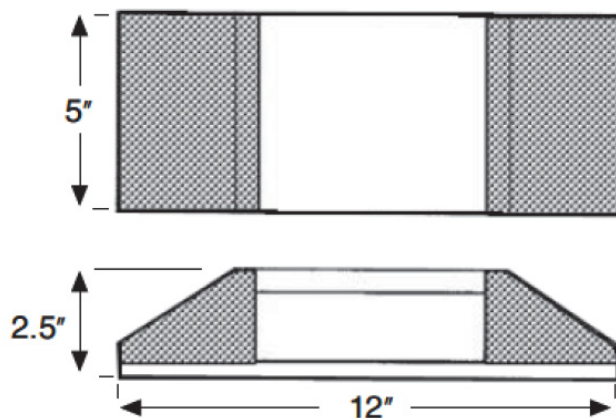
The FCE Series combines an aesthetically appealing design and dependable performance, accommodating virtually any application. This attractive series is complemented with the ruggedness and simplicity of a high impact totally universal thermoplastic housing. Provides a minimum of 90 minutes of illumination for the rated wattage upon loss of AC power. Ideal for applications requiring attractive unit equipment with quick installation.

FEATURES

- Push-to-test Switch
- LED Charge Indicator
- Ni-Cad Premium Battery
- Dual Voltage 120V/277V
- Specification Grade Design
- Universal Mount
- Long Life Energy Saving LED light source
- Fully adjustable glare free LED lighting heads
- Universal mounting pattern knockout in backplate for J-box mounting
- Snap fit construction speeds installation
- Injection-molded, V-O flame retardant, high impact thermoplastic housing.



DIMENSIONS



ELECTRICAL SPECIFICATIONS

Lamp Type	Two 5.4W DC T5, wedge-base
Lamp Wattage	120VAC, 60Hz, 0.060A, 6.7W
	277VAC, 60Hz, 0.031A, 7.3W
Emergency Operation	90 Minutes

ORDERING INFORMATION

FOE		
SERIES	HOUSING	OPTIONS
	W- White B- Black	SD- Self Diagnostic RC- Remote Capable EM5- NiCad Battery

LED Exit Sign



APPLICATION

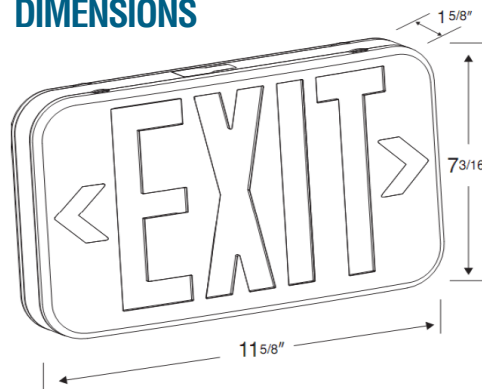
The LXS series is a compact low profile Exit Sign that combines an attractive, easy-to-install compact contemporary design with proven, ultra-reliable electronics to provide the very best in energy efficient emergency lighting. LXS units are completely self-contained, and feature universal mounting, canopy included. Ideal for applications requiring attractive, quick-installation exit signs and low energy consumption.

FEATURES

- Push-to-test Switch.
- LED Charge Indicator.
- Ni-Cad Premium Battery.
- Dual Voltage 120V/277V.
- Specification Grade Design.
- Universal Mount.
- Long Life Energy Saving LED light source.
- Field replaceable snap out/in chevron directional indicator.
- Snap-fit faceplate installs without use of tools.
- Universal single face and double face (extra faceplate included).
- Universal mounting pattern knockout in backplate for J-box mounting.
- Injection-molded, V-O flame retardant, high impact thermoplastic housing.



DIMENSIONS



ELECTRICAL SPECIFICATIONS

Lamp Type	LED	
Lamp Wattage	Red	120VAC, 60Hz, 0.019A, 1.49W 277VAC, 60Hz, 0.009A, 1.88W
	Green	120VAC, 60Hz, 0.019A, 1.49W 277VAC, 60Hz, 0.009A, 1.57W
Emergency Operation	90 Minutes	

ORDERING INFORMATION

LXS					
SERIES	FACES	HOUSING	LETTERING	BATTERY	OPTIONS
	2	W- White B- Black	R- Red G- Green	AC- AC Only EM- NiCad Battery	SD- Self Diagnostic RC- Remote Capable

LED Combo Exit/Emergency Sign

APPLICATION

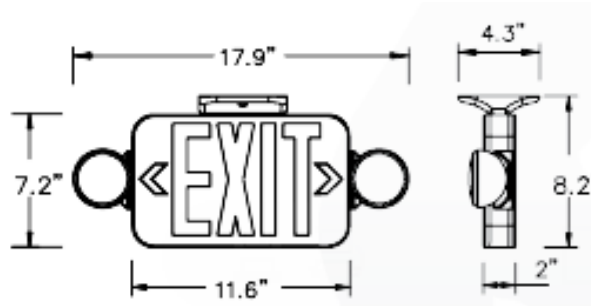
The LCXS is a newly designed Emergency/Exit Light combining LED exit illumination with reliable LED lamp heads, this attractive low-profile design offers maintenance-free, long life dependable service. LCXS LED Combo unit is ideal for applications requiring both exit and emergency lighting. Its streamlined height makes the combo unit a great fit for above-the-door and other tight-fit applications.



FEATURES

- Push-to-test Switch.
- LED Charge Indicator.
- Ni-Cad Premium Battery.
- Dual Voltage 120V/277V.
- Universal Mount.
- Long Life Energy Saving LED light source for both exit and emergency heads.
- Field replaceable snap out/in chevron directional indicator.
- Snap-fit faceplate installs without use of tools.
- Universal single face and double face (extra faceplate included).
- Fully adjustable glare free lighting heads.
- Universal mounting pattern knockout in backplate for J-box mounting.
- Injection-molded, V-O flame retardant, high impact thermoplastic housing.

DIMENSIONS



ELECTRICAL SPECIFICATIONS

Lamp Type	LED	
Lamp Wattage	Red	120VAC, 60Hz, 0.031A, 4.12W 277VAC, 60Hz, 0.013A, 3.2W
	Green	120VAC, 60Hz, 0.030A, 3.22W 277VAC, 60Hz, 0.013A, 3.18W
Emergency Operation	90 Minutes	

ORDERING INFORMATION

LCXS	FACES	HOUSING	LETTERING	OPTIONS
SERIES				
	2	W- White B- Black	R- Red G- Green	SD- Self Diagnostic RC- Remote Capable

LED Aluminum Exit Sign



APPLICATION

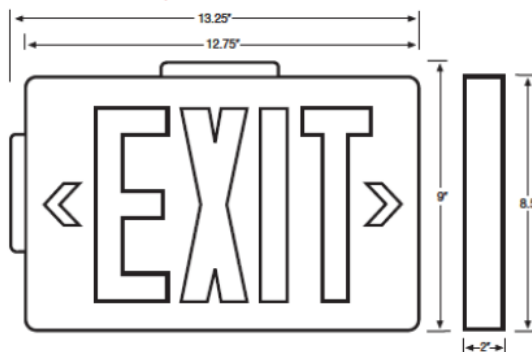
The AXS Die Cast Aluminum Exits are designed to combine both beauty and performance while maintaining optimal energy efficiency with bright, uniform illumination. Ideal for applications requiring general purpose emergency lighting exit sign.

FEATURES

- Push-to-test Switch
- LED Charge Indicator
- Ni-Cad Premium Battery
- Dual Voltage 120V/277V
- Specification Grade Design
- Universal Mount
- Long Life Energy Saving LED light source
- Universal directional chevron knock-outs are completely concealed and easily removed
- Hinged faceplate and spring latches for easy lamp compartment access.
- Universal single face and double face (extra faceplate included)
- Clear lacquer finish on brushed face inhibits fingerprints and other surface contaminants



DIMENSIONS



ELECTRICAL SPECIFICATIONS

Lamp Type	LED	
Lamp Wattage	Red	120VAC, 60Hz, 0.025A, 2.8W 277VAC, 60Hz, 0.012A, 2.9W
	Green	120VAC, 60Hz, 0.033A, 3.8W 277VAC, 60Hz, 0.017A, 4.4W
Emergency Operation	90 Minutes	

ORDERING INFORMATION

AXS					
SERIES	FACES	HOUSING	LETTERING	PANEL	BATTERY
	1-1 Face	W- White B- Black	R- Red G- Green	W- White B- Black A- Aluminum	AC- AC Only EM- NiCad Battery

Wet Location Exit & Combo Exit/Emergency

APPLICATION

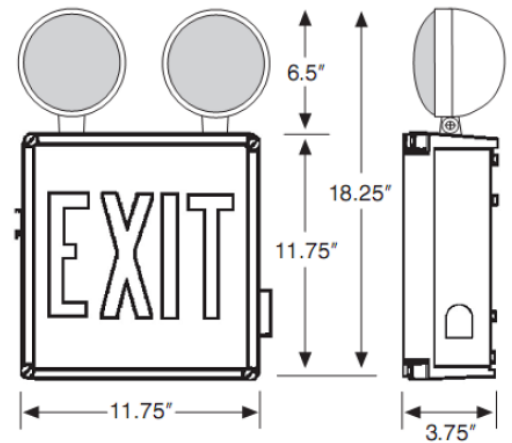
The WXS (Wet Location Exit Sign) and WCXS (Wet Location Combo Exit/Emergency) series are engineered to perform in the most extreme environments. A fully gasketed polycarbonate lens and ABS housing enable the WXS and WCXS to be installed in locations that require Wet Location Rated protection. Ideal for wet location areas requiring exit signs for AC only or battery back-up power that are subject to saturation with non-mechanically delivered water.

FEATURES

- Push-to-test Switch.
- LED Charge Indicator.
- Ni-Cad Premium Battery.
- Dual Voltage 120V/277V.
- Specification Grade Design.
- Universal Mount.
- Long Life Energy Saving LED light source.
- Universal directional chevron knock-outs are completely concealed and easily removed.
- Sealed and Gasketed.
- Integral Breather Vent.
- Resistant to Corrosive Atmospheres, non-hazardous dust environments, frequent hose-downs, water spray or splashing water.



DIMENSIONS



ORDERING INFORMATION

SERIES	FACES	LETTERING	BATTERY
WXS - Wet Location Exit	1 - 1 Face	R - Red	AC- AC Only
WCXS - Wet Location Exit/ Emergency Combo		G - Green	EM - NiCad Battery

Edge Lit LED Exit Sign



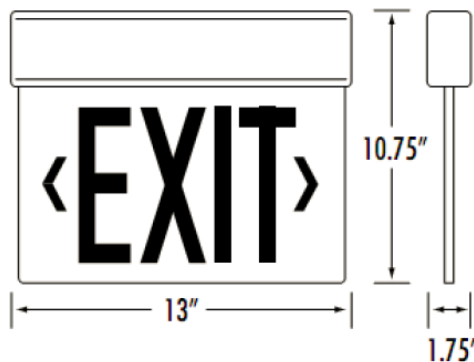
APPLICATION

The EXS Series is an surface mount edge lit LED exit sign that features an architectural, slim design to fit into any environment offering specification grade aesthetics with in field installation flexibility. Attractive and functional, the EXS Series is completely self-contained and utilizes reliable, energy efficient LED illumination. EXS series edge-lit exits are well suited for any application requiring attractive edge-lit exit signage. Typical installations include commercial spaces such as retail, offices or medical facilities but can be applied in any space where an upgraded appearance is desired.

FEATURES

- Push-To-Test Switch
- Led Charge Indicator
- Maintenance Free, 6V Sealed Lead-Acid Battery
- Dual Voltage 120V/277V
- Specification Grade Design
- High-Polish, Injection-Molded Virgin Acrylic Panel, Ultrasonically Welded To Eliminate Visible Hardware
- Universal Mount
- Long Life Energy Saving Led Light Source
- Field Applied Chevron Directional Indicators
- Graduated Depth Of Molded Letters Provides Uniform Light Distribution On Graphics
- Mirror Divider On Double Face Versions
- AC And EM Models

DIMENSIONS



ELECTRICAL SPECIFICATIONS

Lamp Type	LED	
Lamp Wattage	Red	120VAC, 60Hz, 0.148A, 3.2W
		277VAC, 60Hz, 0.133A, 3.0W
	Green	120VAC, 60Hz, 0.148A, 3.8W
		277VAC, 60Hz, 0.131A, 2.8W
Emergency Operation	90 Minutes	

ORDERING INFORMATION

EXS					
SERIES	FACES	HOUSING	LETTERING	BATTERY	OPTIONS
	1- 1 Face 2- 2 Faces	W- White B- Black A- Aluminum	R - Red G - Green	AC- AC Only EM - NiCad Battery	SD- Self Diagnostic 2C - Dual Circuit

Recessed Edge Lit LED Exit Sign

APPLICATION

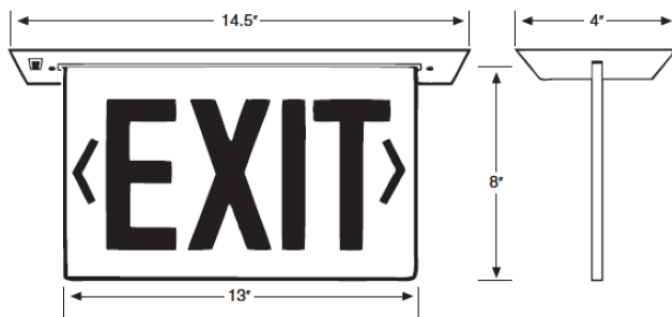
The REXS Series is an recessed edge lit LED exit sign that features an architectural, slim design to fit into any environment offering specification grade aesthetics with in field installation flexibility. Attractive and functional, the REXS Series is completely self-contained and utilizes reliable, energy efficient LED illumination. REXS series edge-lit exits are well suited for any application requiring attractive edge-lit exit signage. Typical installations include commercial spaces such as retail, offices or medical facilities but can be applied in any space where an upgraded appearance is desired.



FEATURES

- Push-To-Test Switch.
- Led Charge Indicator.
- Maintenance Free, 6V Sealed Lead-Acid Battery.
- Dual Voltage 120V/277V.
- Specification Grade Design.
- High-Polish, Injection-Molded Virgin Acrylic Panel, Ultrasonically Welded To Eliminate Visible Hardware.
- Universal Mount.
- Long Life Energy Saving Led Light Source.
- Field Applied Chevron Directional Indicators.
- Graduated Depth Of Molded Letters Provides.
- Uniform Light Distribution On Graphics.
- Mirror Divider On Double Face Versions.
- AC And EM Models.

DIMENSIONS



ELECTRICAL SPECIFICATIONS

Lamp Type	LED	
Lamp Wattage	Red	120VAC, 60Hz, 0.148A, 3.2W
		277VAC, 60Hz, 0.133A, 3.0W
	Green	120VAC, 60Hz, 0.148A, 3.8W
		277VAC, 60Hz, 0.131A, 2.8W
Emergency Operation	90 Minutes	

ORDERING INFORMATION

REXS SERIES	FACES	HOUSING	LETTERING	BATTERY	OPTIONS
	1 - 1 Face 2 - 2 Faces	W- White B- Black A- Aluminum	R - Red G - Green	AC - AC Only EM - NiCad Battery	SD - Self Diagnostic 2C - Dual Circuit

Architectural LED Emergency Light



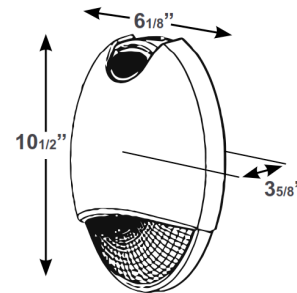
APPLICATION

The AEL series is an architectural LED emergency light suitable for both interior or exterior use, this high performance LED emergency light is designed to work in for interior/exterior emergency lighting.

FEATURES

- Long lasting, efficient ultra-bright white LED.
- Mirror-bright reflector and prismatic polycarbonate refractor.
- Decorative, low-profile, architectural design.
- Dual Voltage 120V/277v.
- Durable powder coat finishes in white, black and dark bronze and nickel satin.
- UL listed standard for wet locations (0°- 50°C/32°F-122° F). CW option UL listed for wet locations (-20°- 50°C/-4°- 122°F).
- Surface mount via easy connect back plate that fits most standard size junction boxes
- Conduit mount via rigid conduit entry provision on top of the unit.
- Meets UL924 NFPA101 Life Safety Code, NEC, OSHA , Local and State Codes.

DIMENSIONS



ORDERING INFORMATION

AEL		
SERIES	COLOR	OPTION
	BL - Black BR - Bronze WH - White	EM - NiCad Battery

Remote Heads

APPLICATION

The RH Series is a family of Remote emergency heads for use with indoor emergency luminaires. Injection molded, high-impact, thermoplastic round shape lamp head with mounting plate installation. Fully adjustable, glare-free lamp heads. Options for Single or double head white housing finish. Mounts to 3-1/2" octagonal or single gang junction boxes.



FEATURES

- Powered from low voltage power source with low voltage wiring (not provided).
- Universal mounting base plate included with mounting hardware.
- Distance of maximum run is determined by system voltage, wire gauge and total maximum wattage on the run.
- Suitable for wall or ceiling mount.
- Remote heads are injection-molded, engineering-grade, 5VA flame retardant, high-impact resistant, thermoplastic in white or black finish.

DIMENSIONS



ORDERING INFORMATION

SERIES	VOLTAGE	WATTAGE
RH1 - (Single Remote Head)	6-6 Volts	5.4 - 5.4 Watts
RH2 - (Dual Remote Head)	12-12 Volts	7.2 - 7.2 Watts 9 - 9 Watts 12 - 12 Watts

GU24 Self Ballasted Compact Fluorescent Lamps



APPLICATION

CFL-GU24 Series is a family of GU24 Self Ballasted compact fluorescent lamps for fixtures featuring the latest GU24 fixtures with the latest ballast and socket technology. Available in 2700K (Warm White) 4100K (Cool White). For use in ceiling fixtures, pendants, wall sconces, vanity bars, outdoor fixtures, recessed fixtures and various lighting fixtures featuring GU24 lamps.



FEATURES

- Long Life, 10,000 hour average rated life
- Lower maintenance and labor costs for lamp replacements
- No lead glass – Better lumen maintenance over life of bulb
- Complies with UL 1993 End of Life requirements
- World Class phosphor insures high lumen output and excellent lumen maintenance
- Fits all fixtures with GU24 base
- Saves up to 75% in energy costs
- Instant on, flicker-free

ORDERING INFORMATION

Model	Incandescent Equivalent	Lumens	Dimensions: (W* x MOL*)	Kelvin Temperature
CFL-GU24-13-WW	60	900	2 x 3.8	2700
CFL-GU24-13-CW	60	900	2 x 3.8	4100
CFL-GU24-18-WW	75	1250	2.4 x 4.4	2700
CFL-GU24-18-CW	75	1250	2.4 x 4.4	4100
CFL-GU24-26-WW	100	1650	2.4 x 4.9	2700
CFL-GU24-26-CW	100	1650	2.4 x 4.9	4100

Plug-in Compact Fluorescent Lamps

APPLICATION

For up to 75 percent in energy savings, Pin Base compact fluorescent lamps (CFL) are ideal for pin-based CFL recessed cans, ceiling fixtures, and enclosed indoor and outdoor lighting fixtures in homes, offices, restaurants, schools, hospitals, and retail and hospitality applications. With a long 10,000-hour life, the CFL Pin Base GU24s are offered in 2-pin single tube, 2-pin double tube, 4-pin double tube and 4-pin triple tube configurations. Offered in 2700K (warm white) and 4100K (cool white) the Pin Base CFLs have a standard size and are easy to install.



FEATURES

- Easy installation
- Up to 75% energy saving
- Long life - up to 10,000 average rated life

ORDERING INFORMATION

Model	Watts	Base	Initial Lumens	Color	CRI	M.O.L. (Inches)
PL-13QRBX/CW	13	GX23	900	4100	82	7.17
PL-13R/Q4P/CW	13	G24Q1	900	4100	82	5.28
PL-18R/Q4P/CW	18	G24Q2	1200	4100	82	5.87
PL-26R/Q4P/CW	26	G24Q3	1800	4100	82	6.57

T5 & T5HO Fluorescent Lamps



APPLICATION

T5 Series premium fluorescent linear lamps are designed as energy efficient replacements fluorescent lamps used in new and retrofit general lighting in commercial and industrial projects, including offices, warehouses and factories, retail, schools, hospitals and hospitality environments.



FEATURES

- Extended lamp life (up to 94% lumen maintenance)
- TCLP compliant, with low mercury content (<10 mg)
- Ultra fine rare earth phosphors
- Full spectrum light (up to 88 CRI)
- Save up to 50%-70% in energy costs

ORDERING INFORMATION

Model	Initial Lumens	Lamp Life (Hours)	CRI	Case Pack	Kelvin Temperature
F6T5/741	295	7,500*	75	40	4100
F8T5/741	330	20,000*	75	40	4100
F13T5/741	620	20000*	75	40	4100
F21T5/741	2100	20000*	75	40	4100
F28T5/741	2900	20000*	75	40	4100
F54T5/841	5000	20000*	85	40	4100
F54T5/850	5000	20000*	85	40	5000

T8 Fluorescent Lamps

APPLICATION

T8 Series premium linear lamps are designed as energy efficient replacements fluorescent lamps used in new and retrofit general lighting in commercial and industrial projects, including offices, warehouses and factories, retail, schools, hospitals and hospitality environments.



FEATURES

- High Performance and Efficiency
- TCLP Compliant for Low-Mercury
- Meets RoHS Standards for Lead-Free Products

ORDERING INFORMATION

Model	Initial Lumens	Mean Lumens	Lamp Life (Hours)	CRI	Case Pack	Kelvin Temperature
F15T8/741	1325	1260	24,000*	75	25	4100
F17T8/841	1400	1330	24,000*	85	25	4100
F25T8/841	2250	2110	24,000*	85	25	4100
F32T8/841	2850	2720	24,000*	85	25	4100
F32T8/850	2850	2720	24,000*	85	25	5000

Residential Grade Electronic Ballasts



FEATURES

- Instant Start, Flicker Free
- Pre-Tested for Reliability
- End of Life Protection
- Multi-Lamp operation, ballasts operate various lamp wattages.
- Specialized Electronic Circuitry
- Quiet Operation

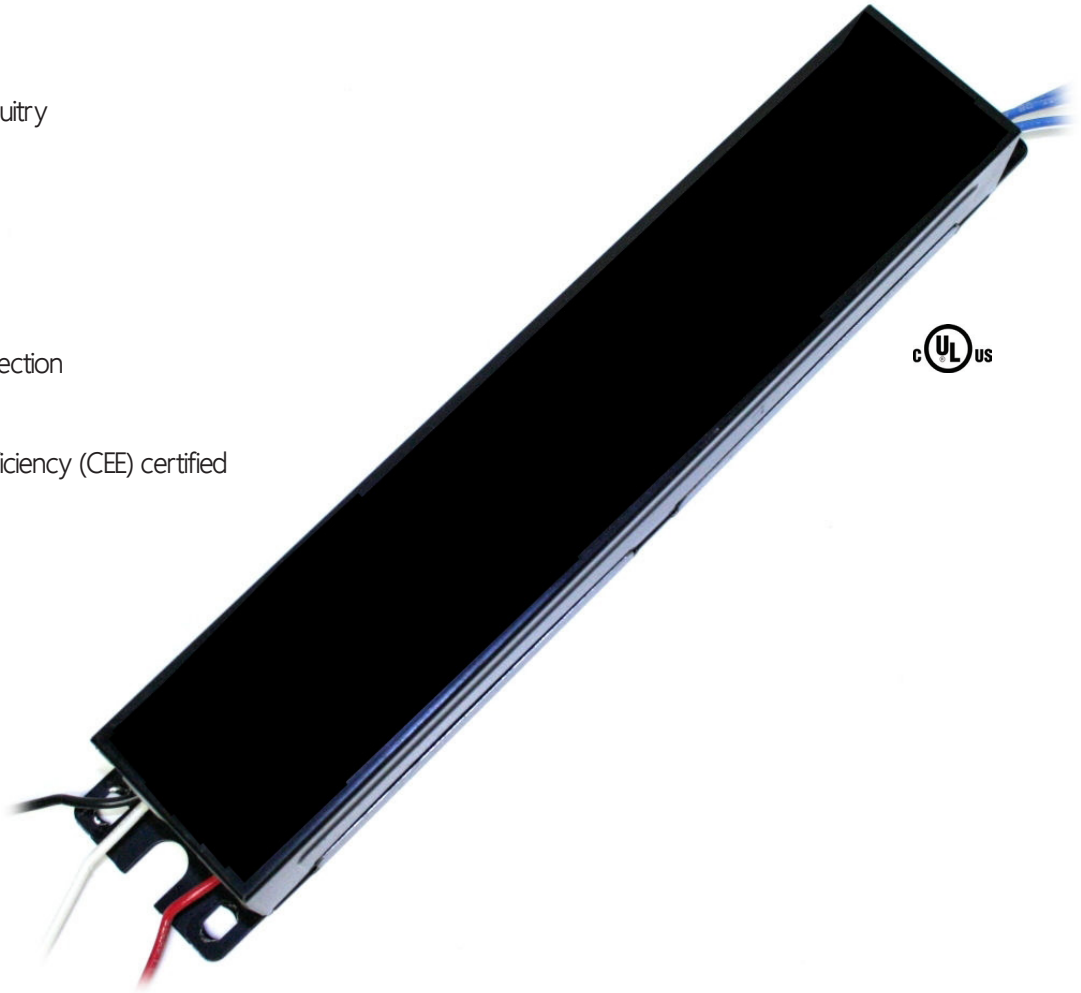
ORDERING INFORMATION

Model	Lamp Type	Lamps Operated	# of Lamps	Input Voltage	Power Factor
EB-1-13-T5-120-IS-N	Linear	F8T5, F13T5	1	120	0.5
EB-1-18-PL-120-IS-N	Compact Fluorescent	CFQ18W/G24Q	1	120	0.5
EB-1-22-C-120-IS-N	T9 Circline	FC8T9	1	120	0.5
EB-1-26-PL-120-IS-N	Compact Fluorescent	CFQ26W/G24Q	1	120	0.5
EB-1-32-T8-120-IS-N	T8 Linear	F15T8, F17T8, F25T8, F32T8	1	120	0.5
EB-2-32-T8-120-IS-N	T8 Linear	F15T8, F17T8, F25T8, F32T8	2	120	0.5
EB-1-40-C-120-IS-N	T9 Circline	FC8T9, FC10T9, FC12T9, FC16T9	1	120	0.5
EB-2-40-C-120-IS-N	T9 Circline	FC8T9, FC10T9, FC12T9, FC16T9	2	120	0.5

T8 High Performance Ballasts

FEATURES

- Multiple Ballast Factors
- Specialized Electronic Circuitry
- High Frequency
- 5 Year Warranty
- Quiet Operation
- Anti-Striation Control
- Active Power Factor Correction
- Nema Premium
- Consortium of Energy Efficiency (CEE) certified
- RoHs Compliant



ORDERING INFORMATION

EB					
SERIES	# OF LAMPS	LAMP TYPE	VOLTAGE	STARTING METHOD	BALLAST FACTOR
	2 3 4	32- 32W T8 (F32T8)	MV- 120/277V HV- 347/480V	IS- Instant Start* PS- Programmed Start	N- Normal H- High L - Low

T5 High Performance Ballasts

FEATURES



- Specialized Electronic Circuitry
- High Frequency
- 5 Year Warranty
- Quiet Operation
- Anti-Striation Control
- Active Power Factor Correction
- Nema Premium
- RoHs Compliant



ORDERING INFORMATION

EB					
SERIES	# OF LAMPS	LAMP TYPE	VOLTAGE	STARTING METHOD	BALLAST FACTOR
	2 4	54-54W T5HO (F32T8)	MV- 120/277V HV- 347/480V	PS- Programmed Start	N- Normal



GlobalLux

LIGHTING

GlobalLux Lighting LLC reserves the right to make any changes in the design, construction and listing approval of the products listed in this catalog which may be required by law or by standards of any regulatory body or at its discretion. Specifications are subject to change without notice.