

THE STOCK GUIDE



AcuityBrands®

Expanding the boundaries of lighting™

By connecting the product portfolios, expertise and tools of the lighting industry's premier brands, **Acuity Brands®** delivers comprehensive lighting, daylighting and controls solutions for every environment. www.acuitybrands.com

LIGHTING



CONTROLS



DAYLIGHTING





STOCK GUIDE TABLE OF CONTENTS

LED SOLUTIONS: DELIVERING THE PROMISE OF LED.	2
LITHONIA LIGHTING Contractor Select.	14
Contractor Select consists of a focused, quality line of Lithonia Lighting’s most popular and competitive stock products.	
<i>Commercial</i>	16
<i>Industrial</i>	26
<i>Downlighting</i>	34
<i>Emergency</i>	44
<i>Outdoor</i>	48
LITHONIA LIGHTING Supplemental Stock.	62
The supplemental stock section includes some of the more popular stocking items from Lithonia Lighting’s broader project-focused portfolio.	
<i>Commercial</i>	64
<i>Industrial</i>	90
<i>Downlighting</i>	98
<i>Emergency</i>	110
<i>Outdoor</i>	120
ACCULAMP	136
SENSOR SWITCH	140
ACUITY BRANDS TOOLS	148
RENOVATION APPLICATION GUIDE	150

THE TRANSITION TO LED

Why Purchase LED Lighting Fixtures?



= Maximum Savings for You

Dispelling the Myths of LED

MYTH:
All LEDs are created equal.

FACT:
Not all LEDs are created equal.

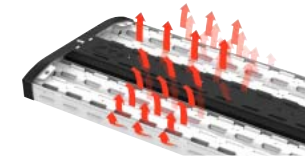
The quality of LEDs in a fixture matter. Acuity Brands partners with the most reputable and reliable LED suppliers to deliver the highest quality LED lighting fixtures. Our supplier partners meet tight specifications, which prevents noticeable variation in the color of light produced.



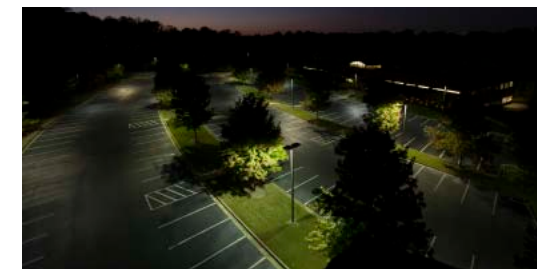
This is an example of an application where tight color specifications were not met.

MYTH:
Fixture design doesn't matter.

FACT:
Fixture design is essential when purchasing LED lighting fixtures.



- **Thermal management is critical.** Acuity Brands uses software models and extensive physical testing to ensure that our LED fixtures dissipate heat away from the LEDs – ensuring years of maintenance-free illumination.
- **Fixture optics are important.** Delivered lumens are vital to replacement ranges, not initial lumens.
 - **Initial lumens** – the measure of light emitted from an LED (no fixture optics applied)
 - **Delivered lumens** – the measure of light output from the fixture into the desired application. If the fixture is not designed to accurately direct the light where it needs to be, much of the light can be lost to the fixture itself or to the ceiling plane/night sky.



Before (250W Metal Halide)



After (144W LED)

MYTH:
The more lumens, the brighter the space.

FACT:
Increasing the number of lumens does not always make the space brighter.

Yes, more lumens does mean more light output, but it does not mean there is more light where you need it. With the right optical control, LEDs can improve the overall site-wide illumination with fewer total lumens, increasing efficiency and performance.

Lighting Resources - Energy Efficient Solutions

LIGHTING FACTS

Anatomy of the Label

Light Output/Lumens
Measures light output. The higher the number, the more light is emitted.

Watts
Measures energy required to light the product. The lower the wattage, the less energy used.

Lumens per Watt/Efficacy
Measures efficiency. The higher the number, the more efficient the product.

IESNA LM-79-2008
Industry standardized test procedure that measures performance qualities of LED luminaires and integral lamps. It allows for a true comparison of luminaires regardless of the light source.

**Registration Number
Model Number
Type**

Brand

Color Rendering Index (CRI)
Measures color accuracy. Color rendition is the effect of the lamp's light spectrum on the color appearance of objects.

Correlated Color Temperature (CCT)
Measures light color. "Cool" colors have higher Kelvin temperatures (3600-5500 K). "Warm" colors have lower color temperatures (2700-3500 K).

Light Output (Lumens)	1927
Watts	22
Lumens per Watt (Efficacy)	87
Color Accuracy Color Rendering Index (CRI)	70
Light Color Correlated Color Temperature (CCT)	4000 (Bright White)

Visit www.lightingfacts.com for the Label Reference Guide.

Visit www.lightingfacts.com for more information.

ENERGY STAR



ENERGY STAR is a joint program of the U.S. Environmental Protection Agency and the U.S. Department of Energy helping us all save money and protect the environment through energy efficient products and practices.

Visit www.energystar.gov for more information.

DESIGNLIGHTS™ CONSORTIUM



The DLC is a collaboration of utility companies and regional energy efficiency organizations with the goal to ensure that high-quality, energy-efficient lighting design becomes common place in all lighting installations.

To find out more about DLC and which Acuity Brands products are listed, visit www.designlights.org.

Be sure to check back often as we are continually adding products!

The benefits of LED lighting vary by application, but one common feature of all Acuity Brands LED fixtures is an improved quality of light with increased energy savings and decreased maintenance.



LED Area & Wall Lights



LED Striplights



LED Troffers



LED Bay Lighting



LED Building Mounted

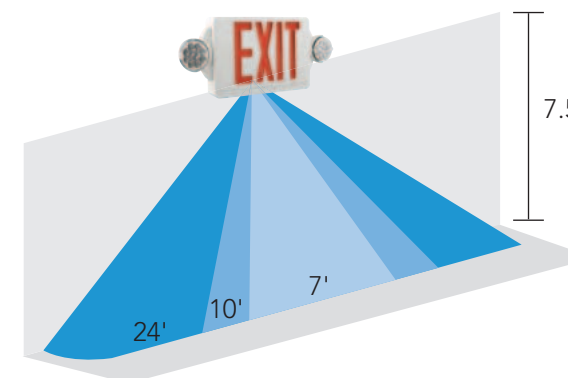
To assist you in the transition from traditional sources to LED, we created the general purpose LED product matrix. With detailed product information and the recommended replacement range, choosing the right product for your needs has never been easier.

LED	Fixture	Delivered Lumens	Input Watts	Replaces Up To	Voltage	LPW	CCT	DLC Qualified	Energy Star	Contractor Select
COMMERCIAL										
TROFFERS	2GTL2	3,700	43	2- to 4-lamp T8	MVOLT	89	3500K/4000K	✓		✓
	2GTL4	4,000	43	2-lamp T8	MVOLT	97	3500K/4000K	✓		✓
WRAPAROUNDS	STL	4,800	50	2-lamp T8	MVOLT	94	3500-4000K	✓		
	LBL2	2,000	26	2-lamp T8	MVOLT	84	3500-4000K	✓		✓
	LBL4	4,000	50	2-lamp T8	MVOLT	86	3500-4000K	✓		✓
DRY LOCATION STRIPLIGHT	MNSL MV M6	2,100	24	1-lamp T8	MVOLT	88	4000K			✓
UNDERCABINET	UCLD	226-504	5-12	(2) 8W T5	120V	43	2700-3000K		✓	
	Rayzer	175-441	5-13	(2) 8W T5	120V	33	3000K		✓	
INDUSTRIAL										
BAY LIGHTS	IBH 11L MVOLT	11,200	150	250W MH, 3-lamp T5HO or 4-lamp T8	MVOLT	75	4000K	✓		✓
	IBL 18L WD LP740 DLC	18,000	207	400W MH, 4-lamp T5HO or 6-lamp T8	MVOLT	87	4000K	✓		
	IBL 24L WD LP740 DLC	24,000	260	6-lamp T5HO or 8-lamp T8	MVOLT	92	4000K	✓		
WET LOCATION STRIPLIGHT	XWMLD	1,800	24	1-lamp T8	MVOLT	75	4000K			✓

LED	Fixture	Delivered Lumens	Input Watts	Replaces Up To	Voltage	LPW	CCT	DLC Qualified	Energy Star	Contractor Select
DOWNLIGHTING										
P SERIES	6BPMW LED M6	620	8.9	65W INC	120V	70	3000K		✓	✓
L SERIES	4BLMW LED M6	400	9	50W INC	120V	44	3000K		✓	
	5BLMW LED M6	600	13	65W INC	120V	46	3000K		✓	
	6BLMW LED M6	620	13	65W INC	120V	48	3000K		✓	
REALITY	REAL6 D6MW 1000L 30K .60SC ESL U	1,000	11	100W INC	120V	89	3000K		✓	
	REAL6 D6MW 600L 30K .60SC ESL U	600	8	65W INC	120V	80	3000K		✓	
REALITY COMMERCIAL	REAL6C D6A 1000L 35K .65SC ESL U	1,000	14	26W 1-lamp CFL/ 13W 2-lamp CFL	120V or 277V	75	3500K		✓	
	REAL6C D6A 1500L 35K .65SC ESL U	1,500	19	32W 1-lamp CFL/ 26W 2-lamp CFL	120V or 277V	85	3500K		✓	

Emergency LED Matrix When it comes to emergency products, the center-to-center spacing is much more critical to the design and safety of the space than the recommended replacement range. So highlighted in the LED matrix are the key components to consider when selecting an emergency product for your application.

LED	Fixture	Center-to-Center Spacing	Warranty	Options	Remote Capability
QUANTUM® LED EMERGENCY COMBOS & UNITS					
EMERGENCY COMBOS	LHQM LED R / LHQM LED G LHQM LED R HO	24'	5 years	Self-diagnostics (SD) and Wireless (WRS)	-
		24'	5 years	Self-diagnostics (SD) and Wireless (WRS)	Powers 6 additional LED heads
EMERGENCY UNITS	ELM2 LED ELM2 LED HO	24'	5 years	Self-diagnostics (SD) and Wireless (WRS)	-
		24'	5 years	Self-diagnostics (SD) and Wireless (WRS)	Powers 4 additional LED heads
CONTRACTOR SELECT LED EMERGENCY COMBOS & UNITS					
EMERGENCY COMBOS	ECR LED / ECG LED ECR LED HO / ECG LED HO	10'	2 years	-	-
		10'	2 years	-	Powers 2 additional LED heads
EMERGENCY UNITS	ECBR LED / ECBG LED	10'	2 years	-	Powers 2 additional LED heads
		10'	2 years	-	-



- 7.5' Typical Import Emergency Combo/Unit
- 10' Contractor Select Emergency Combos & Units
- 24' Quantum® Emergency Combos & Units

To assist you in the transition from traditional sources to LED, we created the general purpose LED product matrix. With detailed product information and the recommended replacement range, choosing the right product for your needs has never been easier.

LED	Fixture	Delivered Lumens	Input Watts	Replaces Up To	Voltage	LPW	CCT	DLC Qualified	Photocell	Motion Sensor	Contractor Select
BUILDING MOUNTED	OLW14*	1,337	26	175W MH	MVOLT	65	5000K	✓	✓		
	OLW 23	2,252	35	250W MH	MVOLT	64	5000K	✓	✓		
	OLW 31*	3,073	48	250W MH +	MVOLT	64	5000K	✓	✓		
	TWH LED 10C 50K	2,559	39	175W MH	MVOLT	65	5000K				
	TWH LED 20C 50K	4,910	72	250W MH	MVOLT	67	5000K				
	TWH LED 30C 50K	6,728	105	400W MH	MVOLT	60	5000K				
	TWP LED 10C 50K	1,614	26	100W MH	MVOLT	61	5000K				
	TWP LED 20C 50K	3,149	45	175W MH	MVOLT	68	5000K				
	TWP LED 30C 50K	4,377	67	250W MH	MVOLT	64	5000K				
	TWS LED 1 50K 120 PE M4	1,017	19	42W CFL/70W MH	120V	54	5000K		✓		✓
	TWR1 LED 1 50K MVOLT M2	2,126	35	175W MH	MVOLT	62	5400K				✓
	TWR1 LED 2 50K MVOLT M2	3,527	41	250W MH	MVOLT	86	5000K				✓
	TWR1 LED 3 50K MVOLT M2	4,875	59	320W MH	MVOLT	83	5000K				✓
	TWR2 LED 1 50K MVOLT M2	6,979	79	400W MH	MVOLT	89	5000K				✓
	OLWP 11 PE BZ	1,096	20	42W CFL/100W MH	120V	75	4000K		✓		
SECURITY	OFLR 6LC 120 MO BZ*	1,222	22	2-Head PAR38 60W Halogen	120V	55	5000K				✓
	OFLR 9LC 120 MO BZ*	1,719	31	2-Head PAR38 90W Halogen	120V	55	5700K				✓
	OFLR 6LC 120 P BZ*	1,096	20	2-Head PAR38 60W Halogen	120V	55	5000K		✓		
	OFLR 9LC 120 P BZ*	1,636	30	2-Head PAR38 90W Halogen	120V	54	5700K		✓		
	OLFL 14	1,351	18	300W Quartz Halogen	120V	75	4000K		✓		
	OLAW23	2,304	35	100W MH/175W MV	120V	65	5000K	✓	✓		
	TDD LED	1,412	20	100W MH/175W MV	120V	69	4000K				✓

LED	Fixture	Delivered Lumens	Input Watts	Replaces Up To	Voltage	LPW	CCT	DLC Qualified	Photocell	Motion Sensor	Contractor Select
CANOPY	OLWCM 36	3,634	56	175W MH	MVOLT	64	5000K				
	OLWCM 46	4,558	70	250W MH	MVOLT	65	5000K				
	OLWCM 57	5,700	99	250W MH +	MVOLT	57	5000K				
	VRC LED 1 50K	3,400	41	250W MH	MVOLT	84	5000K				✓
FLOODLIGHTING	DSXF1 LED 1 40K	1,927	22	100W MH	MVOLT	87	4000K	✓			
	DSXF1 LED 1 50K	2,112	22	100W MH	MVOLT	95	5000K	✓			
	DSXF1 LED 2 40K	3,866	41	175W MH	MVOLT	95	4000K	✓			
	DSXF1 LED 2 50K	4,008	41	175W MH	MVOLT	96	5000K	✓			
	DSXF2 LED 3 40K	5,493	59	250W MH	MVOLT	93	4000K	✓			
	DSXF2 LED 3 50K	5,696	59	250W MH	MVOLT	97	5000K	✓			
	DSXF2 LED 4 40K	7,041	79	250W MH +	MVOLT	89	4000K	✓			
	DSXF2 LED 4 50K	7,526	79	250W MH +	MVOLT	94	5000K	✓			
BULLET FLOODLIGHT	OLBF 8 30K	592	11	100W PAR38 Halogen	MVOLT	56	3000K				✓
	OLBF 8 50K	835	11	100W PAR38 Halogen	MVOLT	76	5000K				✓
	OLBS 8 30K	638	11	100W PAR38 Halogen	MVOLT	58	3000K				✓
	OLBS 8 50K	857	11	100W PAR38 Halogen	MVOLT	78	5000K				✓
VAPOR TIGHT	OLVTCM M6	600	15	26W CFL/150W INC	MVOLT	39	4000K				✓
	OLVTWM M6	600	15	26W CFL/150W INC	MVOLT	39	4000K				✓
STEP LIGHT	OLSS DDB M6*	330	9	13W CFL/60W INC	MVOLT	38	4000K				✓
	OLSR DDB M6*	370	9	13W CFL/60W INC	MVOLT	41	4000K				✓
WALL	OLLWU DDB M6*	500	14	26W CFL/150W INC	MVOLT	34	4000K				
	OLLWD DDB M6*	270	9	13W CFL/60W INC	MVOLT	30	4000K				

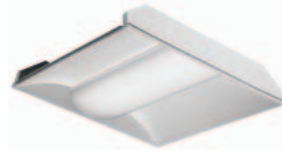
*also available in white

RTLED High-Performance Volumetric Troffer



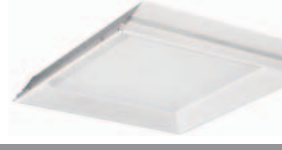
- Configurations include 2x2, 2x4 and 1x4 with lumen packages ranging from 2,200-4,800 lumens
- Volumetric illumination delivers a more balanced, complementary luminous environment
- Features embedded intelligent controls
- See www.lithonia.com/RTLED for more information

VTLED Volumetric Troffer



- Configurations include 2x2 and 2x4 with lumen packages ranging from 2,200-4,800 lumens
- High-quality, cost-effective digital solution
- Features embedded intelligent controls
- See www.lithonia.com/VTLED for more information

ACLEd Architectural CoffeR



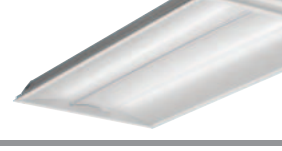
- Unique architectural design creates a quiet ceiling
- 3,300 lumen package provides uniform distribution
- Includes simple integrated controls
- See www.lithonia.com/ACLEd for more information

TLED Ambient Troffer



- Best quality general purpose LED luminaires
- Includes embedded intelligent controls
- 3,300 lumens offer a superior quality of light
- See www.lithonia.com/TLED for more information

ALL LED Lighting



- Clean, fine lines with a unique design complement any space
- 4,900 lumens available in 3 color temperatures in 2'x4' configuration
- Includes nLight® embedded controls
- See www.lithonia.com/alseries for more information

RTLED R & RTLED R T LED Relighting



- Suitable for quick, simple retrofit into nearly any existing deep-cell parabolic or lensed troffer fluorescent fixtures
- Relight assembly consists of four basic component parts that easily install into the host fixture
- To reduce installation time and labor, all electrical components are shipped prewired on the light engine for simple connection via the quick disconnect driver
- See www.lithonia.com for more information

VTLR & VTLRT LED Relighting



- Relight assembly is the ideal solution for renovating existing fluorescent parabolic systems
- Eliminates the "cave effect" by delivering the ideal amount of light to walls, work surfaces and people
- Rated to deliver L80 performance for 50,000 hours
- See www.lithonia.com for more information

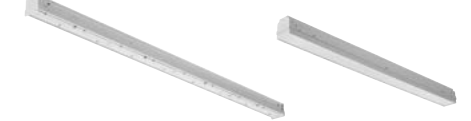
LED Mini Pendants & Sconces



- 3000K high-performance LEDs which maintain 280 lumen output; 9.5 watts
- Pendant mount includes 78" coax cable for tool-free adjustment
- Fully dimmable down to 10%
- See www.lithonia.com/LEDpendants-sconces for more information

- Cove, warehouse, cold storage, under canopy and retail
- 2' and 4' lengths; 1,400-6,000 lumens; controls available
- Superior color consistency and 83 CRI
- See www.lithonia.com/ZSeries for more information

Z Series LED Striplights



- Available in 2' and 4' configurations with lumen packages ranging from 1,200-4,100
- Features embedded intelligent controls
- Ideal for wall or ceiling mounting, vertical or horizontal
- See www.lithonia.com/wseries for more information

W Series Wall Bracket



- Cold storage, manufacturing, warehouse, gymnasium and other large spaces
- 65% more efficient than HID; optional controls
- Predicted life greater than 100,000 hours
- See www.lithonia.com/PROTEON for more information

PROTEON™ LED High Bay



- Energy-efficient, surface or suspended LED luminaire suitable for wet, damp and/or cold locations
- Available in 4' or 8' configurations with lumen packages ranging from 3,000-9,000 lumens
- Predicted life of more than 100,000 hours
- See www.lithonia.com for more information

FEM LED Low-Profile Enclosed Industrial



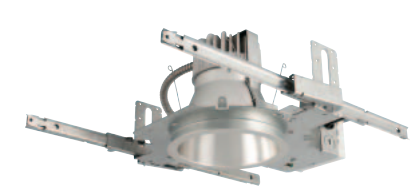
- Ideal for food processing, cold storage and garden centers
- Lumen packages range from 5,000-15,000 lumens and feature 4100K LEDs
- 0-10V dimming standard
- See www.lithonia.com for more information

FHE LED Enclosed Industrial



- Energy Star luminaire providing count reductions of up to 40% when compared to typical CFL downlights
- Available with multiple distributions from .4 to 1.5 spacing-to-mounting height ratios
- Patented Bounding Ray™ optics balance efficacy with aperture
- See www.gotham.com for more information

Gotham's EVO



- Available in multiple lumen packages from 2,000-6,500 (in 500 lumen increments)
- Fully accessible from both above and below making maintenance easy
- Features distributed intelligence through nLight® enabled devices
- See www.gotham.com for more information

Gotham's Incito



D-Series LED Floodlighting



- Ideal for replacing 250-400W metal halide floods
- Available in 3 color temperatures with lumen packages ranging from 3,000-14,000 lumens
- Expected service life of over 100,000 hours
- See www.lithonia.com/dseries for more information

D-Series LED Area Lighting



- Ideal for replacing 100-1,000W metal halide in area applications
- Available in 3 color temperatures with lumen packages ranging from 4,000-24,000 lumens
- DesignLights™ Consortium qualified product
- See www.lithonia.com/dseries for more information

Contour® KAD LED Area Luminaire



- Ideal for parking areas, street lighting, walkways and car lots
- Energy Savings – up to 68% savings over HID
- Long Life – 15+ years expected service life
- Available in Type 2, Type 3, Type 4 and Type 5 distributions
- See www.lithonia.com/KAD-LED for more information

D-Series LED Building Mounted



- Ideal for replacing 50-250W metal halide wall packs
- Available in 3 color temperatures with lumen packages ranging from 1,700-9,500 lumens
- DesignLights™ Consortium qualified product
- See www.lithonia.com/dseries for more information

Contour® KACM LED Canopy Luminaire



- Ideal for parking garages, convenience stores, hotels and walkways
- Expected service life of 60,000 hours
- Surface or yoke mounting options
- Available in Type 2, Type 3, Type 4 and Type 5 distributions
- See www.lithonia.com/KACM-LED for more information

- Ideal for interior or exterior applications where safety and security are a concern
- Available in 2 color temperatures with lumen packages ranging from 1,500-4,000 lumens
- 0-10V dimming standard
- See www.lithonia.com for more information

VRR LED Vandal Resistant Rough Service



- Architectural round and oval fixtures with several faces to choose from
- May be mounted to the wall or ceiling in indoor or outdoor applications
- Controls-enabled to increase energy savings
- See www.lithonia.com for more information

GATEWAY® LED Rough Service Luminaires



- Ideal for replacing up to 175W metal halide luminaires
- Available in 2 color temperatures with lumen packages ranging from 2,000-6,600 lumens
- DesignLights™ Consortium qualified product
- See www.lithonia.com/dseries for more information

D-Series LED Parking Garage



- Designed for cold or high ambient temperatures in indoor or outdoor applications
- Multiple mounting options for renovation or new construction projects
- Several control options available to maximize energy savings
- See www.lithonia.com/PASSAGE for more information

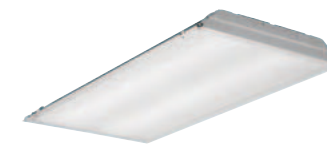
ARCHWAY™ PASSAGE™ LED Parking Garage Light



CONTRACTOR SELECT

- most popular
- simple descriptions
- price competitive
- standard features
- always available
- simple warranty

The **Contractor Select** program is Lithonia Lighting's solution to simplify the way you do business by reducing costs, increasing productivity and driving sales growth. It consists of a focused, quality line of Lithonia Lighting's most popular and competitive stock products. Energy efficiency, reliability and ease of installation are designed into every product. Visit www.lithonia.com/contractorselect to learn more.



COMMERCIAL

Troffers	17-18	LEI
Parabolics	19	
Strip Lights	20-22	LEI
Wraps	23-25	LEI



INDUSTRIAL

Industrial Strips	27	
Wet Location Industrials	28-29	LEI
High & Low Bay Lighting	30-33	LEI



DOWNLIGHTING

Residential		
6" LED Modules	35	LEI
6" Housings & Trims	36-37	
4" Housings & Trims	38-39	
Commercial		
6" Light Commercial Vertical Frame-in & Reflectors	40-41	
6" & 8" Light Commercial Horizontal Frame-in & Reflectors	42-43	



EMERGENCY

Emergency Exits & Units	45	LEI
Emergency Combos	46	LEI
Remote Lamps	47	LEI
Battery Packs	47	



OUTDOOR

Floodlighting	49-51	LEI
Building Mounted	52-54	LEI
Step Lights	55	LEI
Utility Vapor Tights	56-57	LEI
Ceiling Mount Utility	58-59	LEI
Security Lighting	60-61	LEI

CONTRACTOR
SELECT



LED Troffers

Lensed Troffers

Parabolics

LED Strip Lights

Strip Lights

LED Wraps

Wraps

FEATURES

- 2x4 is an ideal replacement for 2-lamp T8 and 2x2 is ideal for replacing 2- to 4-lamp T8
- Affordable LED lay-in that delivers general ambient lighting for many applications such as schools, offices and hospitals
- Smooth hemmed sides and smooth inward-formed end flanges for easy handling
- Long-life LEDs, coupled with high-efficiency drivers, provide a superior level of illumination
- Rated to deliver L70 performance for 50K hours
- Fully dimmable down to 5%
- DLC Qualified Product and Damp Listed



2'x2' and 2'x4'



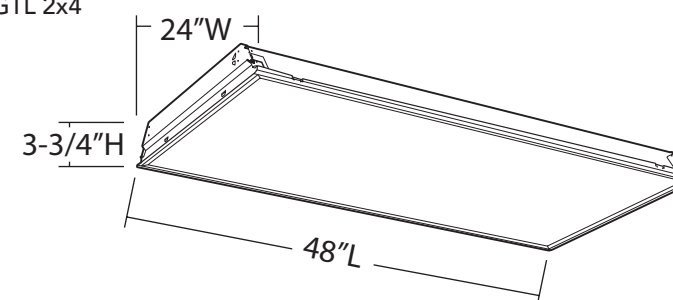
ORDERING INFORMATION

Catalog Number	UPC	Description	Lumens*	Color Temperature*	Lens Type	Voltage	Wattage*	Pallet Qty.	Standard Carton Qty.
2GTL2 LP835	753573916604	2x2 LED Recessed Troffer	3,700	3500K	Patterned #12 acrylic	120 - 277	43	56	1
2GTL2 LP840	753573916659	2x2 LED Recessed Troffer	3,700	4000K	Patterned #12 acrylic	120 - 277	43	56	1
2GTL4 LP835	753573916505	2x4 LED Recessed Troffer	4,000	3500K	Patterned #12 acrylic	120 - 277	43	28	1
2GTL4 LP840	753573916581	2x4 LED Recessed Troffer	4,000	4000K	Patterned #12 acrylic	120 - 277	43	28	1

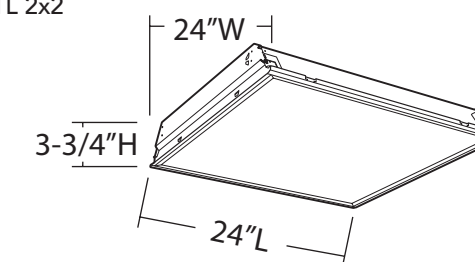
* Numbers listed are nominal.

DIMENSIONS

GTL 2x4



GTL 2x2



Certain airborne contaminants can diminish integrity of acrylic. See pg.156 for Acrylic Compatibility table for suitable uses.

2'x2' and 2'x4'



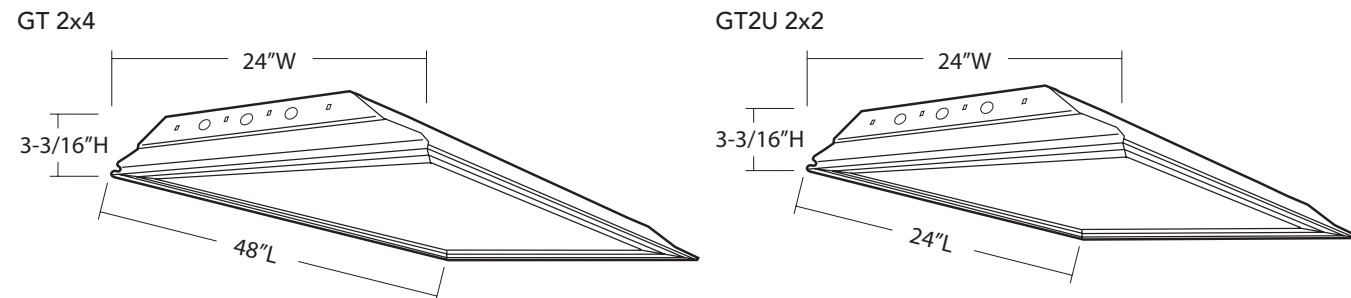
FEATURES

- Recessed lensed fixture for grid T-bar ceilings
- Low-profile design ideal for restricted plenum applications
- Smooth hemmed sides and smooth ends promote easy handling during installation
- Standard steel door frame has superior structural integrity with premium extruded appearance and mitered corners
- 100% acrylic lens with prism pattern

ORDERING INFORMATION

Catalog Number	UPC	Description	# of Lamps	Wattage	# of Ballast	Voltage	Ballast Type	Pre-Wired	Lamp Included	Lamp Type	Pallet Qty.	Standard Carton Qty.
GT2 MV	745975081714	2x4 Recessed Troffer	2	32	1	120 - 277	NEMA Premium®, Instant Start	N	N	—	28	1
GT3 2MV	745975083510	2x4 Recessed Troffer	3	32	2	120 - 277	NEMA Premium®, Instant Start	N	N	—	28	1
GT3 MV	745975081721	2x4 Recessed Troffer	3	32	1	120 - 277	NEMA Premium®, Instant Start	N	N	—	28	1
GT3L MV	745975081684	2x4 Recessed Troffer	3	32	1	120 - 277	NEMA Premium®, Instant Start	N	Y	700 series, 3500K	28	1
GT3L41 MV	745975083541	2x4 Recessed Troffer	3	32	1	120 - 277	NEMA Premium®, Instant Start	N	Y	700 series, 4100K	28	1
GT3LW MV	745975081882	2x4 Recessed Troffer	3	32	1	120 - 277	NEMA Premium®, Instant Start	Y	Y	700 series, 3500K	28	1
GT4 2MV	745975081998	2x4 Recessed Troffer	4	32	2	120 - 277	NEMA Premium®, Instant Start	N	N	—	28	1
GT4 MV	745975081776	2x4 Recessed Troffer	4	32	1	120 - 277	NEMA Premium®, Instant Start	N	N	—	28	1
GT4L MV	745975081912	2x4 Recessed Troffer	4	32	1	120 - 277	NEMA Premium®, Instant Start	N	Y	700 series, 3500K	28	1
GT4L41 MV	745975083565	2x4 Recessed Troffer	4	32	1	120 - 277	NEMA Premium®, Instant Start	N	Y	700 series, 4100K	28	1
GT4L41W MV	745975083534	2x4 Recessed Troffer	4	32	1	120 - 277	NEMA Premium®, Instant Start	Y	Y	700 series, 4100K	28	1
GT4LW MV	745975081707	2x4 Recessed Troffer	4	32	1	120 - 277	NEMA Premium®, Instant Start	Y	Y	700 series, 3500K	28	1
GT2U MV	745975081967	2x2 Recessed Troffer	2	32-U lamp	1	120 - 277	NEMA Premium®, Instant Start	N	N	—	56	1

DIMENSIONS



Certain airborne contaminants can diminish integrity of acrylic. See pg.156 for Acrylic Compatibility table for suitable uses.

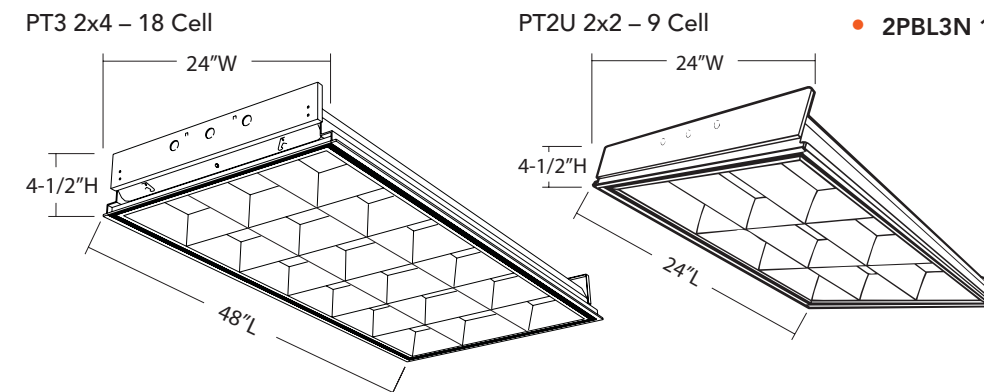
FEATURES

- Designed for use in open area applications where optical control, visual comfort and light cut-off are important
- Hemmed sides and ends provide smooth edges for easy handling during installation
- Mitered corners and interlocking construction assure precise parabolic shaped louver
- Integral T-bar safety clips hold fixture to T-bar securely; no fasteners required
- Hinges die-formed for maximum strength
- Spring action latches concealed in black reveal
- 2'x4' features 18-cell louver with semi-specular (Diffuse) finish; 2'x2' features 9-cell louver in same finish

ORDERING INFORMATION

Catalog Number	UPC	Description	# of Lamps	Wattage	# of Ballast	Voltage	Ballast Type	Pre-Wired	Lamp Included	Lamp Type	Pallet Qty.	Standard Carton Qty.
PT3 MV	745975079155	2x4 Recessed, Static	3	32	1	120 - 277	NEMA Premium®, Instant Start	N	N	—	20	1
PT3L MV	745975079421	2x4 Recessed, Static	3	32	1	120 - 277	NEMA Premium®, Instant Start	N	Y	700 series, 3500K	20	1
PT3LW MV	745975079360	2x4 Recessed, Static	3	32	1	120 - 277	NEMA Premium®, Instant Start	Y	Y	700 series, 3500K	20	1
PT3 2MV	745975118373	2x4 Recessed, Static	3	32	2	120 - 277	NEMA Premium®, Instant Start	N	N	—	20	1
PT3A MV	745975079513	2x4 Recessed, Air	3	32	1	120 - 277	NEMA Premium®, Instant Start	N	N	—	20	1
PT2U MV	745975079247	2x2 Recessed, Static	2	32-U lamp	1	120 - 277	NEMA Premium®, Instant Start	N	N	—	40	1

DIMENSIONS



ACCESSORIES

- 2PBL3N 18LD 18-cell Replacement Louver



FEATURES

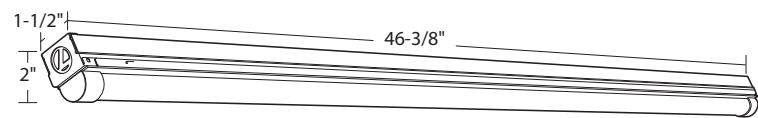
- Designed for task lighting, restrooms, under/over cabinet and storage closets; suitable for tight spaces
- Features low glare diffuse lens and snap-lock tool-less channel for quick and easy installation
- Operates from 120V-277V with no extended power supply for transformer required
- Surface mounting on ceiling or wall (horizontal or vertical); not designed for continuous row mounting

ORDERING INFORMATION

Catalog Number	UPC	Description	Lumens*	Color Temperature*	Voltage	Wattage*	Pallet Qty.	Standard Carton Qty.
MNSL MV M6	753573945437	Mini LED Strip Light	2,100	4000K	120-277	24	504	6

* Numbers listed are nominal.

DIMENSIONS



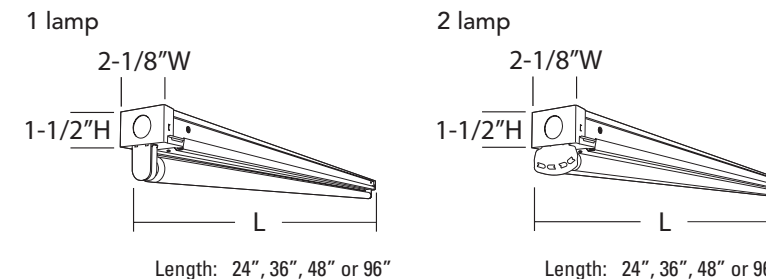
FEATURES

- Pre-loaded sockets improve the speed of installation and reduce the potential for socket breakage
- The secure fit of the patent-pending channel cover design allows for easy access and quick attachment
- The patent-pending "three point" row aligner locks channel together for straighter, faster row assembly without fasteners
- Compact "gripper back" channel offers structural strength and reduces shipping damage
- Easy "snap n' lock" end plates allow for quick attachment and exact fit
- Improved "locking track" lamp holder enhances channel strength and lamp stability

ORDERING INFORMATION

Catalog Number	UPC	Description	# of Lamps	Length	Wattage	Voltage	Ballast Type	Lamp Included	Pallet Qty.	Standard Carton Qty.
Z117 MV	745976682675	T8 Low-Profile Strip	1	24"	17	120 - 277	NEMA Premium®, Instant Start	N	448	1
Z125 MV	745976682705	T8 Low-Profile Strip	1	36"	25	120 - 277	NEMA Premium®, Instant Start	N	224	1
Z132 MV	745976682736	T8 Low-Profile Strip	1	48"	32	120 - 277	NEMA Premium®, Instant Start	N	224	1
TZ132 MV	745976682767	Tandem, T8 Low-Profile Strip	2	96"	32	120 - 277	NEMA Premium®, Instant Start	N	224	1
Z217 MV	745976682781	T8 Low-Profile Strip	2	24"	17	120 - 277	NEMA Premium®, Instant Start	N	448	1
Z225 MV	745976682927	T8 Low-Profile Strip	2	36"	25	120 - 277	NEMA Premium®, Instant Start	N	224	1
Z232 MV	745976682941	T8 Low-Profile Strip	2	48"	32	120 - 277	NEMA Premium®, Instant Start	N	224	1
TZ232 MV	745976682989	Tandem, T8 Low-Profile Strip	4	96"	32	120 - 277	NEMA Premium®, Instant Start	N	224	1

DIMENSIONS



T8 Lamps



ACCESSORIES

- **Z8SMR48** 48" Symmetric Reflector, White
- **WGZ48** 48" Base Wireguard, White
- **ZSPRG M50** Z Spring Hanger (Master Pack of 50)



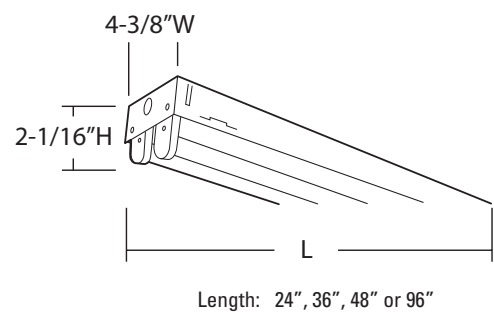
FEATURES

- Suitable for applications such as retail, commercial and light industrial
- Wide-body construction, die-formed from Code-gauge steel with white enamel finish
- Sturdy channel cover secured by captive quarter-turn latch for easy access to wireway
- End plate used for continuous row installation applications
- Ideal for surface or suspended mounting

ORDERING INFORMATION

Catalog Number	UPC	Description	# of Lamps	Length	Wattage	Voltage	Ballast Type	Lamp Included	Pallet Qty.	Standard Carton Qty.
C217 MV	745975081493	T8 General Purpose Strip	2	24"	17	120 - 277	NEMA Premium®, Instant Start	N	198	1
C225 MV	745975081219	T8 General Purpose Strip	2	36"	25	120 - 277	NEMA Premium®, Instant Start	N	99	1
C232 MV	745975079711	T8 General Purpose Strip	2	48"	32	120 - 277	NEMA Premium®, Instant Start	N	99	1
TC232 MV	745975080809	Tandem, T8 General Purpose Strip	4	96"	32	120 - 277	NEMA Premium®, Instant Start	N	99	1
C296T8 MV	745977076145	T8 General Purpose Strip	2	96"	59	120 - 277	NEMA Premium®, Instant Start	N	99	1

DIMENSIONS



ACCESSORIES

- **CSMR48** 48" Symmetric Reflector, White
- **WGCUN NST** 48" Base Wireguard, White
- **HC36 M12** 36" Hanger Chain

FEATURES

- Ideal replacement for 2-lamp T8 surface mount applications
- Feature superior LED diffusion
- Reliable color consistency ensures every fixture looks the same
- Same footprint as fluorescent version making it an easy one-for-one replacement
- DLC Qualified Product (4' only) and Damp Listed

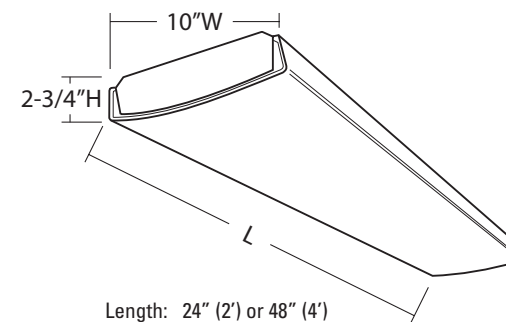


ORDERING INFORMATION

Catalog Number	UPC	Description	Lumens*	Color Temperature*	Voltage	Wattage*	Pallet Qty.	Standard Carton Qty.
LBL2 LP835	753573917564	2' LED Wraparound	2,000	3500K	120 - 277	26	112	1
LBL2 LP840	753573917595	2' LED Wraparound	2,000	4000K	120 - 277	26	112	1
LBL4 LP835	753573917601	4' LED Wraparound	4,000	3500K	120 - 277	50	56	1
LBL4 LP840	753573917632	4' LED Wraparound	4,000	4000K	120 - 277	50	56	1

* Numbers listed are nominal.

DIMENSIONS



ACCESSORIES

- **DLB48** 48" Replacement Lens with overlay

Certain airborne contaminants can diminish integrity of acrylic. See pg.156 for Acrylic Compatibility table for suitable uses.

LB



FEATURES

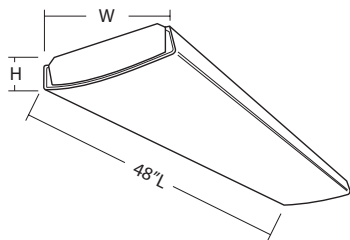
- Ideal for light commercial and residential applications
- Features acrylic prismatic diffuser
- Offers a decorative appearance with curved diffuser
- Intended for surface or stem mounting, unit or row installation



ORDERING INFORMATION

Catalog Number	UPC	Description	# of Lamps	Wattage	# of Ballast	Voltage	Ballast Type	Lamp Included	Pallet Qty.	Standard Carton Qty.
LB232 MV	745975088508	Curved-Basket Wraparound	2	32	1	120-277	NEMA Premium®, Instant Start	N	56	1
LB432 MV	745975088492	Curved-Basket Wraparound	4	32	1	120-277	NEMA Premium®, Instant Start	N	34	1

DIMENSIONS



Height: 2-3/4" (2-lamp) or 3" (4-lamp)
 Width: 10" (2-lamp) or 15-3/8" (4-lamp)

ACCESSORIES

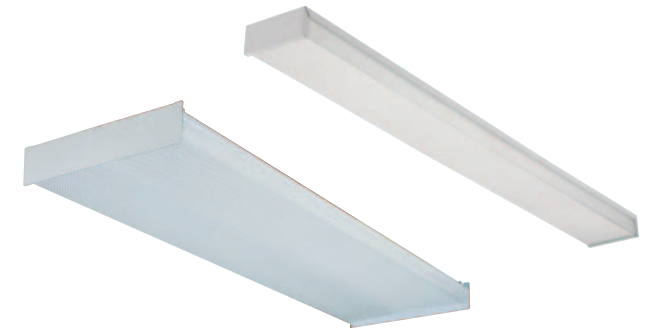
- **DLB48** 48" Replacement Lens for 2-Lamp
- **D2LB48** 48" Replacement Lens for 4-Lamp

Certain airborne contaminants can diminish integrity of acrylic. See pg.156 for Acrylic Compatibility table for suitable uses.

FEATURES

- Ideal for light commercial and residential applications
- Features acrylic prismatic diffuser
- SB features a flat bottom diffuser and RB offers a small profile design
- SB is intended for surface or stem mounting, unit or row installation; RB is intended for surface mounting, unit installation

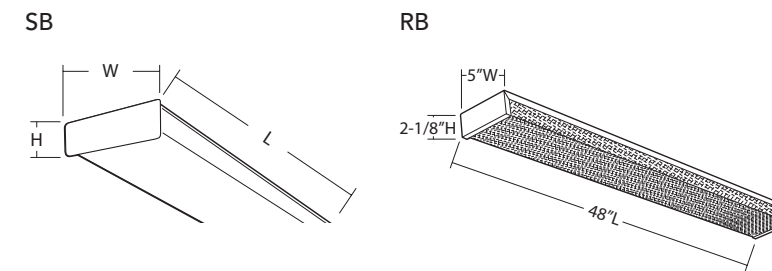
SB and RB



ORDERING INFORMATION

Catalog Number	UPC	Description	# of Lamps	Wattage	# of Ballast	Voltage	Ballast Type	Lamp Included	Pallet Qty.	Standard Carton Qty.
SB217 MV	745975145188	Square-Basket Wraparound	2	17	1	120-277	NEMA Premium®, Instant Start	N	150	1
SB232 MV	745975083633	Square-Basket Wraparound	2	32	1	120-277	NEMA Premium®, Instant Start	N	75	1
SB432 MV	745975083619	Square-Basket Wraparound	4	32	1	120-277	NEMA Premium®, Instant Start	N	42	1
RB232 MV	745975747092	Narrow-Basket Wraparound	2	32	1	120-277	NEMA Premium®, Instant Start	N	144	1

DIMENSIONS



SB
 Height: 2-5/8" (2-lamp) or 2-7/8" (4-lamp)
 Length: 24" or 48"
 Width: 8-5/8" (2-lamp) or 13-3/4" (4-lamp)

ACCESSORIES

- **DSB24** 24" Replacement Lens for 2-Lamp (SB only)
- **DSB48** 48" Replacement Lens for 2-Lamp (SB only)
- **D2SB48** 48" Replacement Lens for 4-Lamp (SB only)
- **D3348/DRB 4** 48" Replacement Lens for 2-Lamp (RB only)

Certain airborne contaminants can diminish integrity of acrylic. See pg.156 for Acrylic Compatibility table for suitable uses.

CONTRACTOR
SELECT



Industrial Strips

LED Wet Location Industrial

Wet Location Industrial

LED Bay Lighting

Fluorescent High Bays

HID High Bays

HID Low Bays

FEATURES

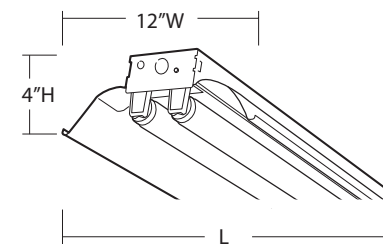
- Sturdy construction suitable for applications such as retail, light industrial and warehouses
- Die-formed from Code-gauge steel with white enamel finish and 12" wide solid top reflector
- End plate used for continuous row installation applications
- Features NEMA Premium Ballast



ORDERING INFORMATION

Catalog Number	UPC	Description	# of Lamps	Length	Wattage	Voltage	Reflector Type	Ballast Type	Lamp Included	Pallet Qty.	Standard Carton Qty.
L232 MV	745975276394	T8 General Purpose Industrial	2	48"	32	120 - 277	Solid Top	NEMA Premium®, Instant Start	N	51	1
TL232 MV	745975276387	Tandem, T8 General Purpose Industrial	4	96"	32	120 - 277	Solid Top	NEMA Premium®, Instant Start	N	51	1

DIMENSIONS



Length: 48" or 96"

ACCESSORIES

- WGL 48" Base Wireguard, White (order 2 for 8')

LED Wet Location Striplight

Wet Location Industrials

COMMERCIAL

INDUSTRIAL

DOWNLIGHTING

EMERGENCY

OUTDOOR

COMMERCIAL

INDUSTRIAL

DOWNLIGHTING

EMERGENCY

OUTDOOR



FEATURES

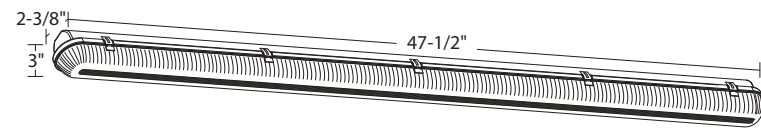
- Ideal replacement for 1-lamp T8
- Features a light gray, full gasketed polycarbonate housing and stainless steel captive latches provide a tight seal
- Includes a UV-stabilized, high impact, clear polycarbonate lens for maximum light output and vandal resistance
- Stainless steel mounting brackets included (2) for flush mounting to a ceiling or wall (horizontally or vertically)
- UL Listed for wet locations and IP65 rated
- Ambient operation from -22°F (-30°C) to 104°F (40°C)
- Projected life of more than 50,000 hours

ORDERING INFORMATION

Catalog Number	UPC	Description	Lumens*	Color Temperature*	Voltage	Approximate Weight (lbs)	Pallet Qty.	Standard Carton Qty.
XWMLD	753573956365	LED Wet Location Industrial	1,800	4000K	120 - 277	11	180	1

* Numbers listed are nominal.

DIMENSIONS



Certain airborne contaminants can diminish integrity of acrylic. See pg.156 for Acrylic Compatibility table for suitable uses.

FEATURES

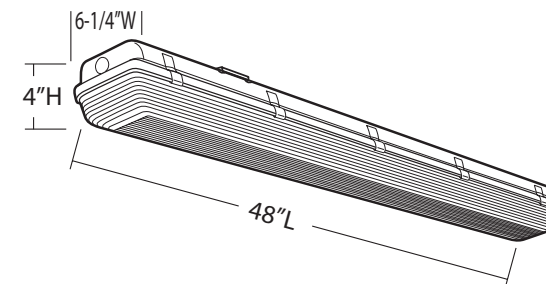
- Features a light gray, fully gasketed polycarbonate housing and snap-fit polycarbonate latches provide a tight seal
- Includes a UV-stabilized, impact-resistant, clear prismatic polycarbonate lens
- Designed for low to medium mounting heights; ideal for applications where dirt, dust and moisture are present
- Stainless steel mounting brackets included (2)
- UL Listed for wet locations and IP65 rated
- Ambient operation from 0°F (-18°C) to 77°F (25°C)

ORDERING INFORMATION

Catalog Number	UPC	Description	# of Lamps	Wattage	Voltage	Lamp Included	Pallet Qty.	Standard Carton Qty.
XWL232 MV	745975639755	Wet Location Industrial	2	32	120-277	N	63	1
XWL254 MV	745976008697	Wet Location Industrial	2	54	120-277	N	63	1



DIMENSIONS



ACCESSORIES

- DXWL48 Wet Location Replacement Lens
- XWL Latch J10 Wet Location Replacement Latch (Job Packed with Qty 10)

LED Bay Lighting



FEATURES

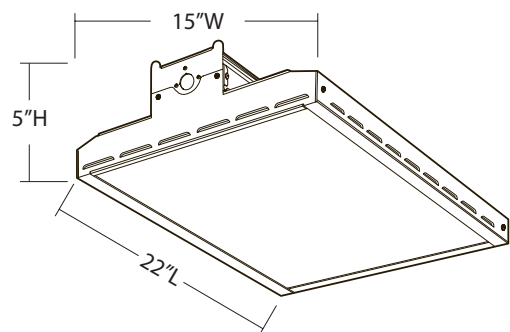
- Ideal replacement for 250W MH, 3-lamp T5HO or 4-lamp T8
- Suitable for commercial and light industrial
- Diffuser and dimming standard
- Long maintenance-free life
- Suitable for suspension mounting
- CSA Certified for damp locations and up to 104°F (40°C) ambient
- DLC Qualified Product

ORDERING INFORMATION

Catalog Number	UPC	Description	Lumens*	Color Temperature*	Voltage	Wattage	Distribution	Pallet Qty.	Standard Carton Qty.
IBH 11L MVOLT	753573864332	LED Bay Light	11,200	4000K	120-277	150	Medium	48	1

* Numbers listed are nominal.

DIMENSIONS



ACCESSORIES (Must be ordered separately)

- **IBAC120 M20** Aircraft cable 10' with hook (one pair)
- **IBAC240 M20** Aircraft cable 20' with hook (one pair)
- **IBLPMP** Pendant monopoint splice box, includes side covers
- **IBLPMPHB** Pendant monopoint splice box, includes side covers (3/4" hub)
- **HC36 M12** Chain hangers (1 pair, 36" long)

Fluorescent High Bays

T5 & T8 Lamps



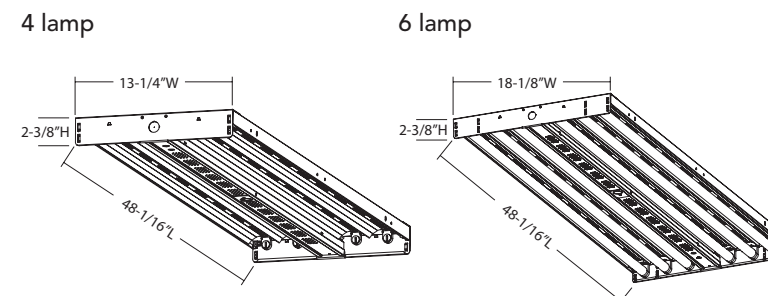
FEATURES

- Ideal replacement for HID high bays
- Multiple lamp configurations available for varying needs and/or applications
- Snap-fit occupancy sensor can significantly reduce energy consumption (field-installable accessory)
- Field-installable lens assembly provides additional shielding and lamp protection (sold as an accessory)
- Ideal for ambient environments that do not exceed 113°F (45°C)
- Ballast disconnect standard
- Lamped fixtures include 4100K lamps

ORDERING INFORMATION

Catalog Number	UPC	Description	# of Lamps	Wattage	Voltage	Distribution	Uplight	Ballast Type	Lamp Included	Motion Sensor Included	Pallet Qty.	Standard Carton Qty.
IBZT5 4L	745977147197	T5 Fluorescent High Bay	4	54	120 - 277	Narrow	Y	Electronic, Program Rapid Start	Y	N	51	1
IBZT5 4L WD	745977147227	T5 Fluorescent High Bay	4	54	120 - 277	Wide	Y	Electronic, Program Rapid Start	Y	N	51	1
IBZT5 6L	745977147470	T5 Fluorescent High Bay	6	54	120 - 277	Narrow	Y	Electronic, Program Rapid Start	Y	N	36	1
IBZT5 6L WD	745977147579	T5 Fluorescent High Bay	6	54	120 - 277	Wide	Y	Electronic, Program Rapid Start	Y	N	36	1
IBZT8 4	745977147661	T8 Fluorescent High Bay	4	32	120 - 277	Narrow	Y	Electronic, Instant Start, High BF	N	N	51	1
IBZT8 4 WD	745977147692	T8 Fluorescent High Bay	4	32	120 - 277	Wide	Y	Electronic, Instant Start, High BF	N	N	51	1
IBZT8 6	745977147791	T8 Fluorescent High Bay	6	32	120 - 277	Narrow	Y	Electronic, Instant Start, High BF	N	N	36	1
IBZT8 6 WD	745977147845	T8 Fluorescent High Bay	6	32	120 - 277	Wide	Y	Electronic, Instant Start, High BF	N	N	36	1

DIMENSIONS



ACCESSORIES (Must be ordered separately)

- **SFR 5** 360° Snap-Fit High Bay Sensor (Not for use with door and lens)
- **WGIBZ14** Wireguard for 4-lamp fixture
- **WGIBZ19** Wireguard for 6-lamp fixture
- **WGIBZ14 J10** Wireguard for 4-lamp fixture (Job Packed with Qty 10)
- **WGIBZ19 J10** Wireguard for 6-lamp fixture (Job Packed with Qty 10)
- **DLIBZ14 ACL** Door Frame Kit with .125" Acrylic Lens for 4-lamp fixture
- **DLIBZ19 ACL** Door Frame Kit with .125" Acrylic Lens for 6-lamp fixture
- **IBZACVH** 10' Adjustable Aircraft Cable with V-hook
- **IBZPMP** Single Point Mounting (Pendant Mount)
- **HBBS36 M50** Chain Hanger, 36" (One Pair)

400 watts / MH



FEATURES

- Open high bay fixture in convenient packaging; lamp included
- Die-cast aluminum housing
- Includes steel hook with spring steel latch
- Ideal for mounting heights of 20' and higher
- Meets EISA requirements
- Standard with protected "PINK" socket and O-rated lamp
- UL Listed for ambient operations up to 122°F (50°C)



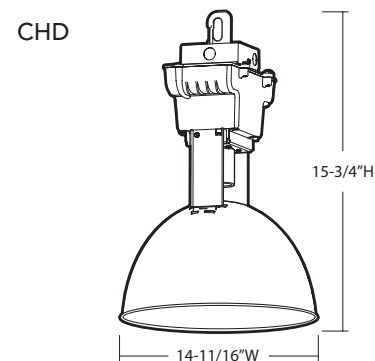
ORDERING INFORMATION

Catalog Number	UPC	Description	Wattage	Lamp Source	Voltage	Reflector Size	Lamp Included	Pallet Qty.	Standard Carton Qty.
CHD400PPSL	745975116041	High Bay Fixture	400	MH	120/208/240/277	15"	Y	18	1

Component Parts

A15	784231015759	CHD Optical	—	—	—	15"	N	45	1
-----	--------------	-------------	---	---	---	-----	---	----	---

DIMENSIONS



FEATURES

- Enclosed HID low bay fixture with white painted aluminum reflector and prismatic acrylic lens; lamp included
- Spun-aluminum 20" reflector is optically designed for superior uniformity and brightness control
- Includes steel hook with spring steel latch
- Ideal for mounting heights of 20' and lower
- Meets EISA requirements
- Standard with protected "PINK" socket and O-rated lamp
- UL Listed for ambient operations up to 104°F (40°C)
- Worklight (CTL) standard with 7' power cord 16/3 black with twist-lock plug; pre-wired for 120V



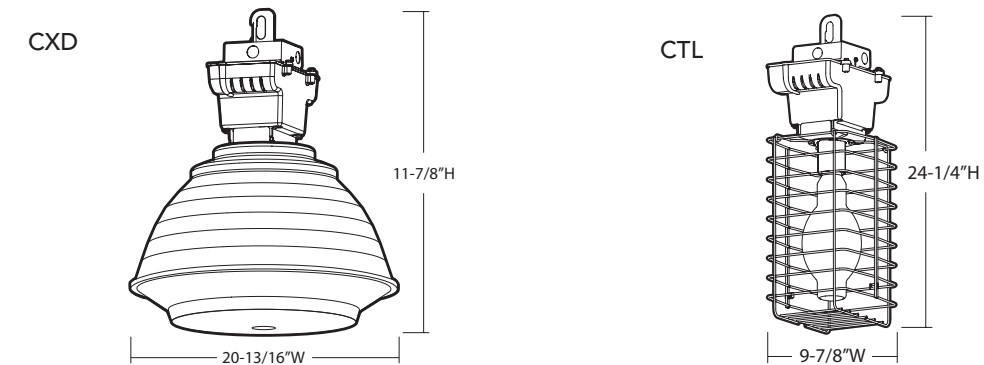
ORDERING INFORMATION

Catalog Number	UPC	Description	Wattage	Lamp Source	Voltage	Reflector Size	Lamp Included	Pallet Qty.	Standard Carton Qty.
CXD400PPSL	745975116027	Low Bay Fixture	400	MH	120/208/240/277	20"	Y	12	1
CTL400PPSL	745975136582	Low Bay Worklight	400	MH	120/208/240/277	—	Y	24	1

Component Parts

CXA20	745975415540	CXD Optical	—	—	—	20"	N	12	1
-------	--------------	-------------	---	---	---	-----	---	----	---

DIMENSIONS



Certain airborne contaminants can diminish integrity of acrylic. See pg.156 for Acrylic Compatibility table for suitable uses.

CONTRACTOR
SELECT



RESIDENTIAL

LED Modules
6" Housings & Trims
4" Housings & Trims

COMMERCIAL

6" Light Commercial
Vertical Frame-in &
Reflectors
6" & 8" Light
Commercial Horizontal
Frame-in & Reflectors

FEATURES

- Ideal replacement for 65W incandescent
- LED downlighting modules are 86% more efficient than incandescent luminaires and operate for more than 50,000 hours
- Dual-retention for maximized housing compatibility
- Maintains the same look, feel and warmth reminiscent of incandescent lamps through seamless Center2Edge™ dimming and instant-on capabilities
- Similar light quality of a general purpose flood
- Deep recessed lens and baffle provide low glare
- Includes E26 adapter for easy install, as well as splice kit for energy rebates
- Wet location listed for maximum versatility

P Series

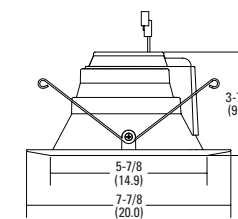


ORDERING INFORMATION (Must be ordered in multiples of standard carton quantity.)

Catalog Number	UPC	Description	Lumens*	Color Temperature*	Energy Star Listed	Color	Retention Method	Pallet Qty.	Standard Carton Qty.
6BPMW LED M6	753573467816	6" Energy Star Retrofit/New Construction Module	620	3000K	Y	Matte White	Dual-retention	270	6

* Numbers listed are nominal.

DIMENSIONS



New Construction



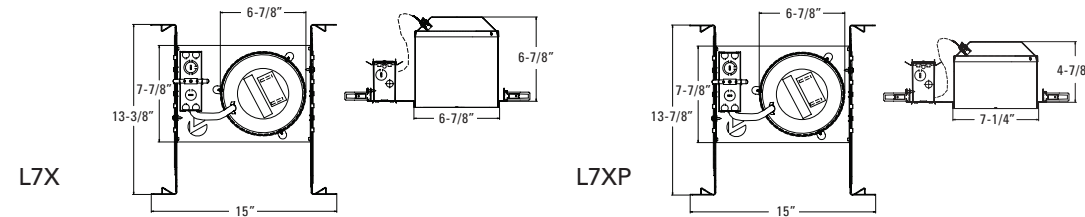
FEATURES

- Recessed incandescent housings rated IC/NON-IC for 2x8 new construction
- Air-tight, galvanized steel pan with aluminum can and junction box
- Factory-installed captive bar hangers span 24" and feature built-in nailers and T-bar clips
- Suitable for ceilings up to 1½" thick
- 120V applications

ORDERING INFORMATION (Must be ordered in multiples of standard carton quantity.)

Catalog Number	UPC	Description	Pallet Qty.	Standard Carton Qty.
L7X R6	784231091906	6" New Construction	120	6
L7X PHC R6	784231097533	6" New Construction with Poke-home Wire Connectors	120	6
L7XP R6	784231104170	6" Shallow, New Construction IC/Non-IC Rated	144	6

DIMENSIONS



Remodel Housing



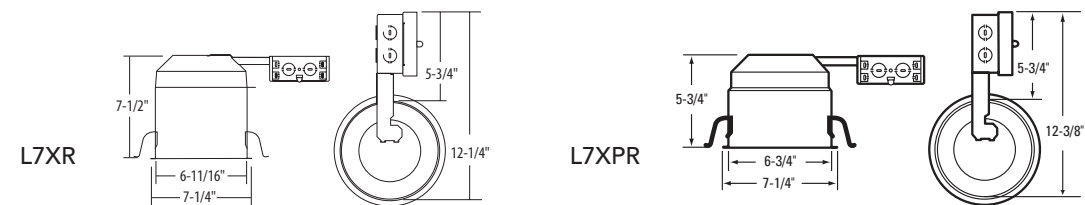
FEATURES

- Recessed incandescent remodel housing rated IC/NON-IC for 2x8 remodel construction
- Air-tight aluminum housing with heavy-gauge galvanized steel raceway arm
- Remodel clips for installation in existing plaster, sheet rock or mechanical ceilings
- Suitable for ceilings up to 1¼" thick
- 120V applications

ORDERING INFORMATION (Must be ordered in multiples of standard carton quantity.)

Catalog Number	UPC	Description	Pallet Qty.	Standard Carton Qty.
L7XR R6	745973789704	6" Remodel IC/Non-IC Rated	144	6
L7XPR R6	745973344965	6" Shallow, Remodel IC/Non-IC Rated	96	6

DIMENSIONS



FEATURES

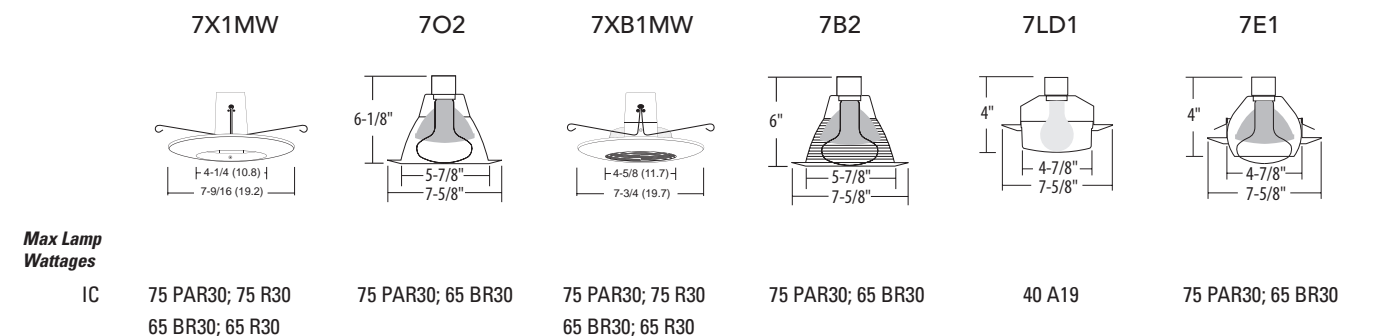
- IC/NON-IC rated trims
- Baffle, eyeball and open trims are damp location listed
- Lensed trim is wet location listed
- Bulk packed
- Trim retention (clips): Retaining clips riveted to top of reflector hold trim inside housing
- Trim retention (TOR): Two-side mounted torsion springs on the trim and 2 receiving brackets in the can ensure a consistently tight fit with the ceiling



ORDERING INFORMATION (Must be ordered in multiples of standard carton quantity.)

Catalog Number	UPC	Description	Type	Color	Flange Width	Fits Shallow	Pallet Qty.	Standard Carton Qty.
7X1MW TOR R6	745976400033	6" Trim	Open (open top)	Matte White	Wide	Y	360	6
702 TOR R24	745975280780	6" Trim	Open	White	Narrow	N	576	24
7020RB TOR R6	745975381746	6" Trim	Open	Oil-Rubbed Bronze	Narrow	N	90	6
702BN TOR R6	745975381784	6" Trim	Open	Brushed Nickel	Narrow	N	360	6
702A TOR PFMW R6	745976400125	6" Trim	Open	Clear Diffue	Narrow	N	360	6
7XB1MW TOR R6	745976400019	6" Trim	Baffle (open top)	Matte White	Wide	Y	360	6
7B2W TOR R24	745975231416	6" Trim	Baffle	White	Narrow	N	576	24
7B2 TOR R12	745975231911	6" Trim	Baffle	Black	Narrow	N	1440	12
7B20RB TOR R6	745975236046	6" Trim	Baffle	Oil-Rubbed Bronze	Narrow	N	90	6
7B2BN TOR R12	745975232031	6" Trim	Baffle	Brushed Nickel	Narrow	N	1440	12
7LD1 R12	784231085448	6" Trim	Lensed	White	Wide	Y	540	12
7E1 TOR R6	784231085455	6" Trim	Eyeball	White	Wide	Y	300	6
7E10RB TOR R6	745975375523	6" Trim	Eyeball	Oil-Rubbed Bronze	Narrow	Y	150	6
7E1 TOR BN R6	745975375677	6" Trim	Eyeball	Brushed Nickel	Narrow	Y	150	6

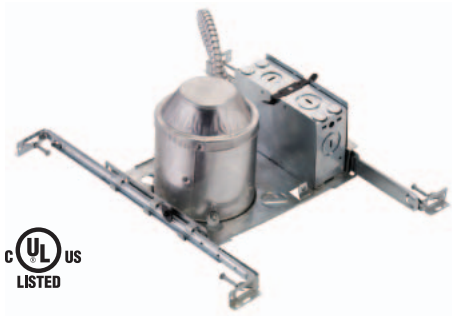
DIMENSIONS



Max Lamp Wattages

IC	75 PAR30; 75 R30 65 BR30; 65 R30	75 PAR30; 65 BR30	75 PAR30; 75 R30 65 BR30; 65 R30	75 PAR30; 65 BR30	40 A19	75 PAR30; 65 BR30
----	-------------------------------------	-------------------	-------------------------------------	-------------------	--------	-------------------

New Construction



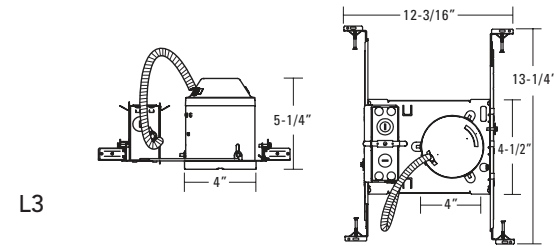
FEATURES

- Recessed housing rated IC/NON-IC for new construction
- Air-tight, galvanized steel pan with aluminum can and junction box
- Factory-installed captive bar hangers span 24" and feature built-in nailers and T-bar clips
- Two locking screws hold fixture in position
- Suitable for ceilings up to 1½" thick
- 120V applications

ORDERING INFORMATION (Must be ordered in multiples of standard carton quantity.)

Catalog Number	UPC	Description	Pallet Qty.	Standard Carton Qty.
L3 R6	745973345313	4" New Construction IC/Non-IC Rated	144	6

DIMENSIONS



Remodel Housing



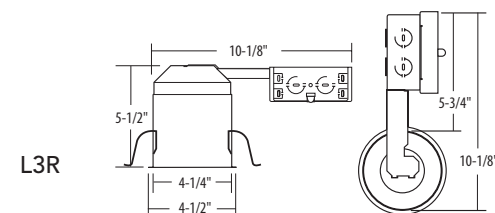
FEATURES

- Recessed housing rated IC/NON-IC for remodel applications
- Air-tight aluminum housing with heavy-gauge galvanized steel raceway arm
- Suitable for ceilings up to ½" thick
- 120V applications

ORDERING INFORMATION (Must be ordered in multiples of standard carton quantity.)

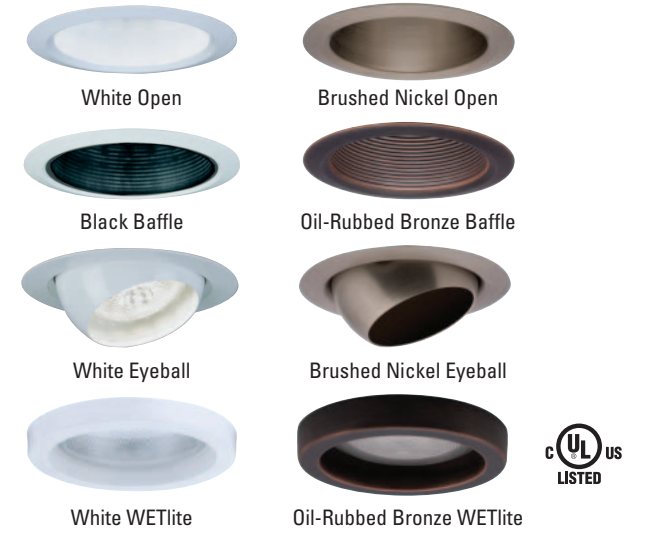
Catalog Number	UPC	Description	Pallet Qty.	Standard Carton Qty.
L3R R6	745973345566	4" Remodel IC/Non-IC Rated	312	6

DIMENSIONS



FEATURES

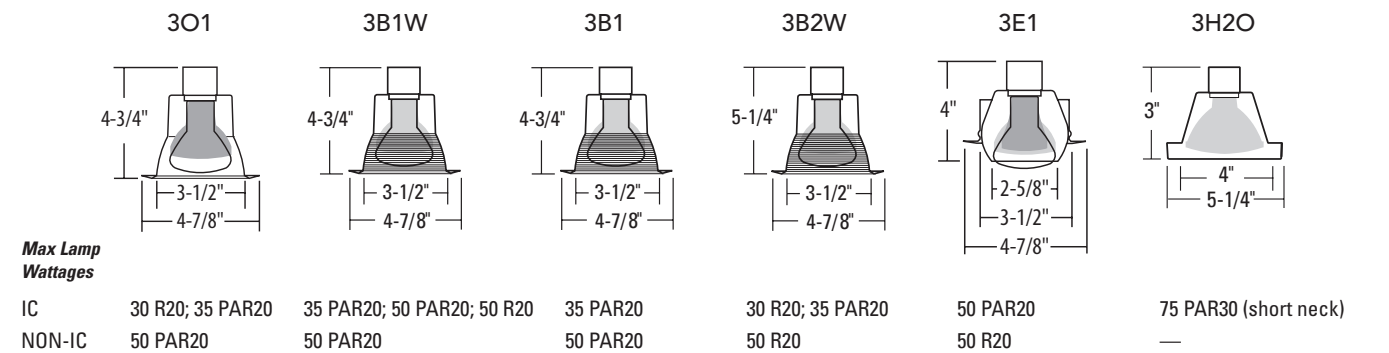
- IC/NON-IC rated trims
- All trims are damp location listed and 3H2O is wet location listed
- Multiple trim color available
- Bulk packed
- Trim retention (clips): Retaining clips riveted to top of reflector hold trim inside housing



ORDERING INFORMATION (Must be ordered in multiples of standard carton quantity.)

Catalog Number	UPC	Description	Type	Color	Flange Width	Pallet Qty.	Standard Carton Qty.
301 R12	745975234158	4" Trim	Open	White	Narrow	1344	12
301ORB R12	745975234165	4" Trim	Open	Oil-Rubbed Bronze	Narrow	1296	12
301BN R6	745975234172	4" Trim	Open	Brushed Nickel	Narrow	864	6
3B1W R24	745975234264	4" Trim	Baffle	White	Narrow	1536	24
3B1 R12	745975234295	4" Trim	Baffle	Black	Narrow	1296	12
3B1ORB R6	745975234271	4" Trim	Baffle	Oil-Rubbed Bronze	Narrow	864	6
3B1BN R6	745975234301	4" Trim	Baffle	Brushed Nickel	Narrow	864	6
3B2W R12	745975281015	4" Trim	Baffle	White	Wide	1536	12
3E1 R6	745973752937	4" Trim	Eyeball	White	Narrow	1080	6
3E1ORB R6	745975376247	4" Trim	Eyeball	Oil-Rubbed Bronze	Narrow	576	6
3E1BN R6	745975376254	4" Trim	Eyeball	Brushed Nickel	Narrow	576	6
3H2O R6	745975281060	4" Trim	WETLite	White	Wide	630	6
3H2OORB R6	745975331505	4" Trim	WETLite	Oil-Rubbed Bronze	Stepped	105	6
3H2OBN R6	745975331550	4" Trim	WETLite	Brushed Nickel	Stepped	105	6

DIMENSIONS



6" Light Commercial Vertical Frame-in

6" Light Commercial Vertical Reflectors



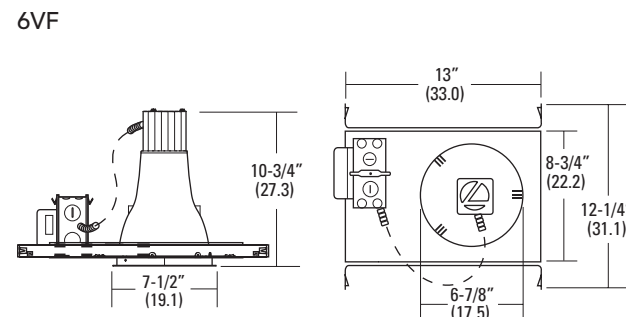
FEATURES

- Fixtures are UL Listed for through-branch wiring, NON-IC recessed mounting and damp location
- Galvanized steel mounting frame-in with high-friction retention clips secure optical system
- Utilizes an extruded socket housing that attaches to the reflector via key hole mount, which provides superior heat dissipation and extended lamp life
- Factory-installed captive bar hangers that span 24" and feature built-in nailers and T-bar clips
- Maximum ceiling thickness of 1½"
- Lamp Type Applications:
 - Compact Fluorescent (120-277V)

ORDERING INFORMATION

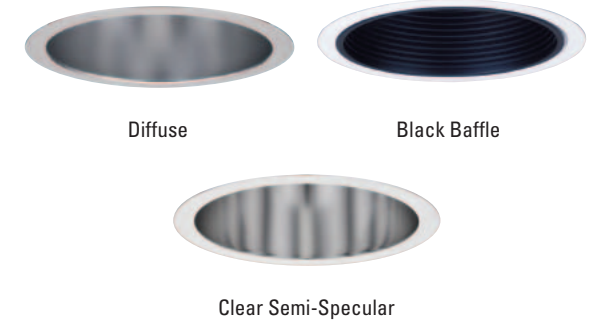
Catalog Number	UPC	Description	Lamp Type	Wattage	Voltage	Pallet Qty.	Standard Carton Qty.
6VF 26-42TRT MVOLT	745976714895	6" Vertical Frame-in	Compact Fluorescent	26, 32, 42	120-277	72	1

DIMENSIONS



FEATURES

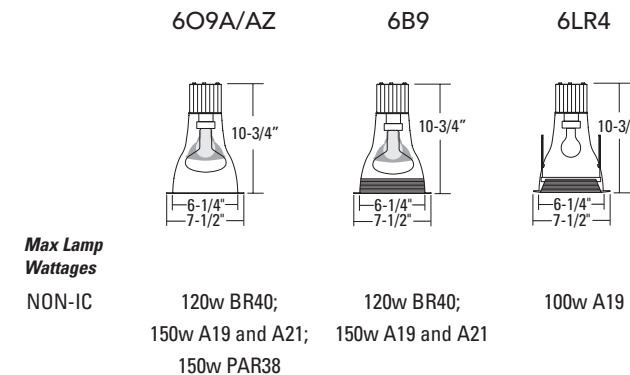
- Aluminum full reflectors are optically designed to maximize lumen output and provide superior glare control
- Damp location listed and lens reflectors are wet location listed
- Open reflectors are diffuse
- Black baffled reflectors have an anodized upper finish with white painted flange standard
- Glass lenses are available in a fresnel glass lens
- Glass lens provide optimal visual comfort and improved aesthetics



ORDERING INFORMATION

Catalog Number	UPC	Description	Pallet Qty.	Standard Carton Qty.
609A	745975550036	Vertical, Clear Diffuse, 6" Reflector	150	1
609AZ	745975550104	Vertical, Clear Semi-Specular, 6" Reflector	150	1
6B9	745975550425	Vertical, Black Baffle, 6" Reflector	144	1
6LR4	745975554249	Vertical, Fresnel, 6" Lens	150	1

DIMENSIONS



6" & 8" Light Commercial Horizontal Frame-in

6" & 8" Light Commercial Horizontal Reflectors



FEATURES

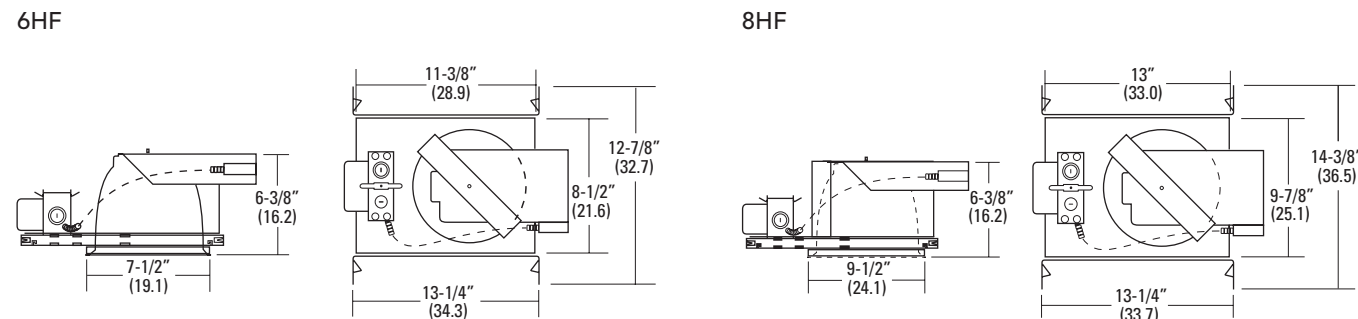
- Fixtures are UL Listed for through-branch wiring, NON-IC recessed mounting and damp location
- Galvanized steel mounting frame-in with mechanical trim retention (yoke) ensures secure and flush reflector mounting to ceiling
- Factory-installed captive bar hangers that span 24" and feature built-in nailers and T-bar clips
- Maximum ceiling thickness of 1½"



ORDERING INFORMATION

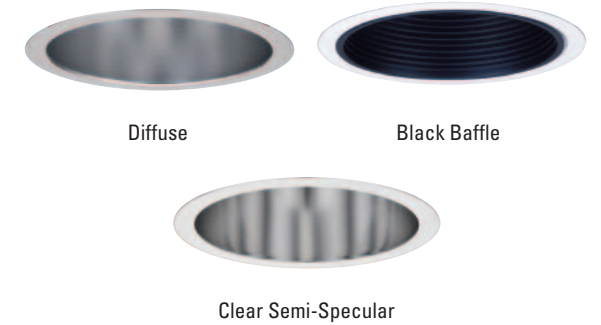
Catalog Number	UPC	Description	Lamp Type	Wattage	Voltage	Pallet Qty.	Standard Carton Qty.
6HF 1/26-42TRT MVOLT	745976714239	6" Horizontal Frame-in	1- Compact Fluorescent	26, 32, 42	120-277	72	1
6HF 2/26DTT MVOLT	745976714376	6" Horizontal Frame-in	2- Compact Fluorescent	26	120-277	72	1
8HF 2/26-42TRT MVOLT	745976714475	8" Horizontal Frame-in	2- Compact Fluorescent	26, 32, 42	120-277	72	1

DIMENSIONS



FEATURES

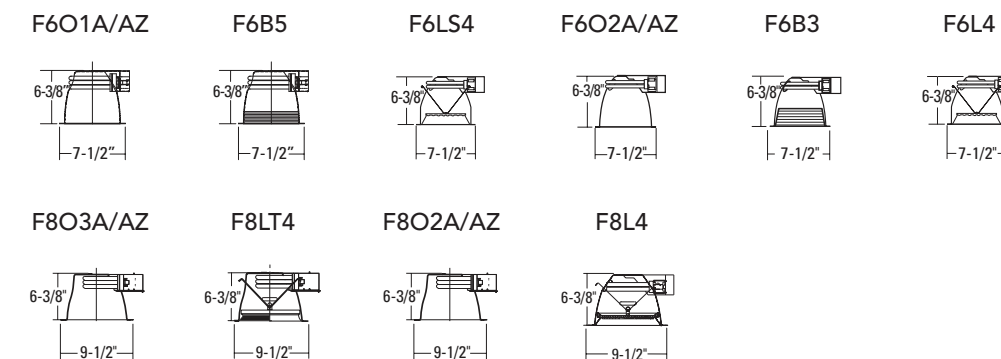
- Aluminum full reflectors are optically designed to maximize lumen output and provide superior glare control
- Damp location listed and lens reflectors are wet location listed
- Open reflectors are diffuse
- Black baffled reflectors have an anodized upper finish with white painted flange standard
- Glass lenses are available in a fresnel glass lens
- Glass lens provide optimal visual comfort and improved aesthetics



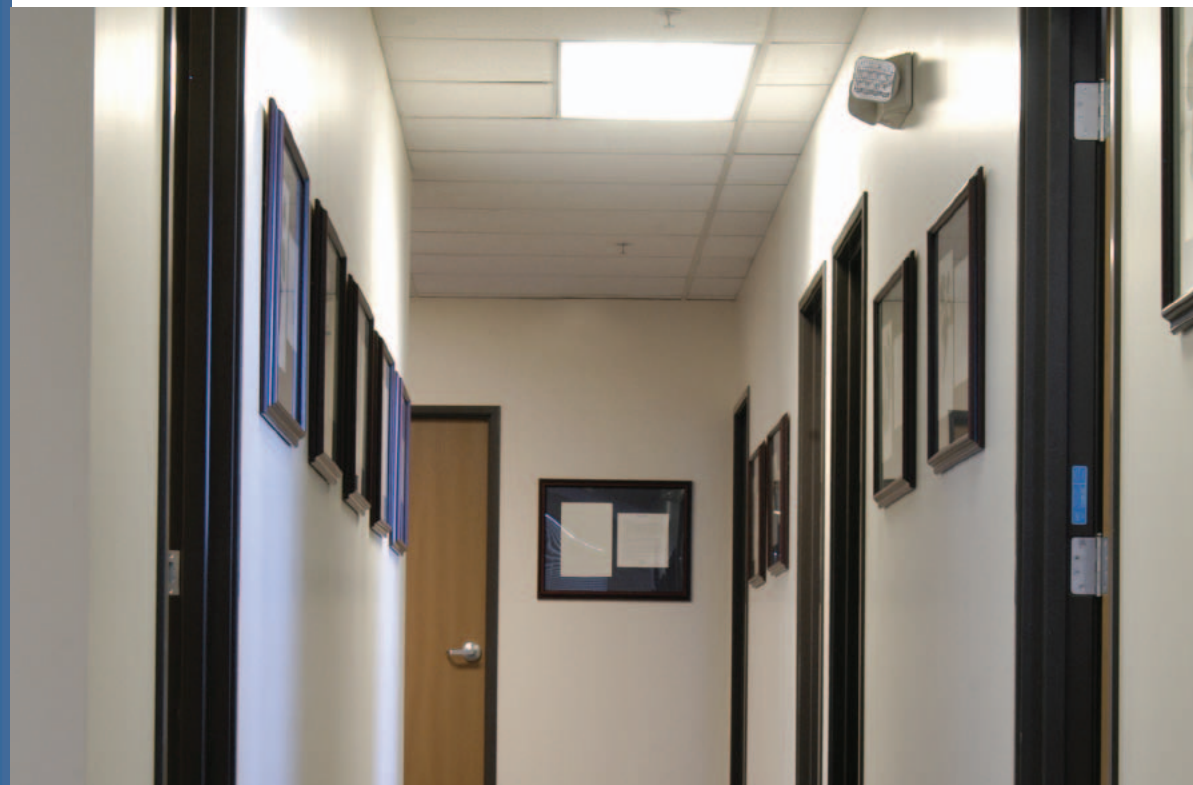
ORDERING INFORMATION

Catalog Number	UPC	Description	Pallet Qty.	Standard Carton Qty.
F601A	745980396346	1-Lamp, Triple-Tube, Horizontal, Clear Diffuse, 6" Reflector	150	1
F601AZ	784231177594	1-Lamp, Triple Tube, Horizontal, Clear Semi-Specular Reflector	180	1
F6B5	745976129910	1-Lamp, Triple-Tube, Horizontal, Black Baffle, 6" Reflector	150	1
F6LS4	745975190287	1-Lamp, Triple-Tube, Horizontal, Fresnel, 6" Lens	150	1
F602A	784231083802	2-Lamp, Double Twin-Tube, Horizontal, Clear Diffuse, 6" Reflector	180	1
F602AZ	784231142424	2-Lamp, Double Twin-Tube, Horizontal, Clear Semi-Specular, 6" Reflector	180	1
F6B3	784231080986	2-Lamp, Double Twin-Tube, Horizontal, Black Baffle, 6" Reflector	150	1
F6L4	784231103470	2-Lamp, Double Twin-Tube, Horizontal, Fresnel, 6" Lens	150	1
F803A	784231174159	2-Lamp, Triple-Tube, Horizontal, Clear Diffuse, 8" Reflector	100	1
F803AZ U	784231174166	2-Lamp, Triple-Tube, Horizontal, Clear Semi-Specular, 8" Reflector	100	1
F8LT4	745979828674	2-Lamp, Triple-Tube, Horizontal, Fresnel, 8" Lens	100	1
F802A	784231152584	2-Lamp, Double Twin-Tube, Horizontal, Clear Diffuse, 8" Reflector	100	1
F802AZ U	784231152591	2-Lamp, Double Twin-Tube, Horizontal, Clear Semi-Specular, 8" Reflector	100	1
F8L4	784231162620	2-Lamp, Double Twin-Tube, Horizontal, Fresnel, 8" Lens	100	1

DIMENSIONS



CONTRACTOR
SELECT



Emergency Exits

Emergency Units

Emergency Combos

Remote Lamps

Battery Packs

FEATURES

- High-impact, white thermoplastic housing for general purpose applications
- Sealed, maintenance-free Ni-cad battery provides 90 minutes of emergency power
- Universal mounting capabilities: top, back or end mounting (canopy included)
- Fully assembled single face with extra faceplate for easy field-conversion to double face
- Long-life energy saving LED source

ORDERING INFORMATION

Catalog Number	UPC	Description	Supply Voltage	Input Wattage	Pallet Qty.	Standard Carton Qty.
EXR LED M6	784231874684	Red Exit	120/277	2	360	6
EXG LED M6	784231874806	Green Exit	120/277	2	360	6
EXR LED EL M6	784231874738	Red Exit with Backup Battery	120/277	2	360	6
EXG LED EL M6	784231874851	Green Exit with Backup Battery	120/277	2	360	6

DIMENSIONS



ACCESSORIES

- ELA WG1 Wireguard, 15" Wide (back mount only)



Exit

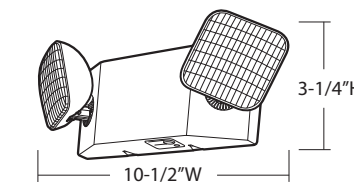
FEATURES

- High-impact, white thermoplastic housing with long lasting, efficient ultra-bright white LED lamp heads
- Lamp head track and swivel arrangement allows for full range of lamp adjustment
- Long-life Ni-Cad battery provides 90 minutes of emergency power

ORDERING INFORMATION

Catalog Number	UPC	Description	Input Wattage	Pallet Qty.	Standard Carton Qty.
EU2 LED M12	784231874493	Emergency Lighting Unit	1.8	324	12

DIMENSIONS



ACCESSORIES

- ELA WG1 Wireguard, 15" Wide (back mount only)



Unit

Exit-Unit Combo



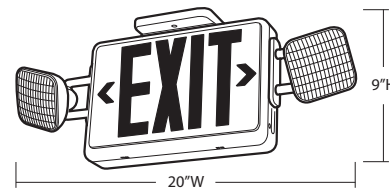
FEATURES

- High-impact, white thermoplastic exit/unit combo with long lasting, efficient ultra-bright white LED lamp heads
- Lamp head track and swivel arrangement allows for full range of lamp adjustment
- Fully assembled single face with extra faceplate for easy field-conversion to double face
- Long-life Ni-Cad battery provides 90 minutes of emergency lighting
- HO high output option available to power LED remote heads (see p.47)

ORDERING INFORMATION

Catalog Number	UPC	Description	Supply Voltage	Input Wattage	Pallet Qty.	Standard Carton Qty.
ECR LED M6	784231874516	Red	120/277	3.8	108	6
ECG LED M6	784231874592	Green	120/277	3.2	108	6
ECR LED HO M6	784231874561	Red, High Output	120/277	3.8	108	6
ECG LED HO M6	784231874615	Green, High Output	120/277	3.2	108	6

DIMENSIONS



ACCESSORIES

- ELA WG3 Wireguard, 30" Wide (back mount only)

Integrated Exit-Unit Combo



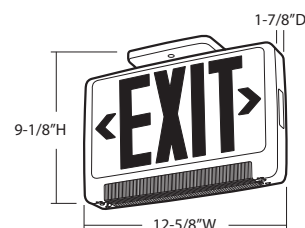
FEATURES

- High-impact, white thermoplastic exit/unit combos
- Unique design combines an LED EXIT with an adjustable LED emergency light into one low-profile unit
- Fully assembled single face with extra faceplate for easy field-conversion to double face
- Sealed, maintenance-free Ni-Cad battery delivers 90 minutes of emergency power
- Capable of powering one twin LED remote (see p.47)

ORDERING INFORMATION

Catalog Number	UPC	Description	Supply Voltage	Input Wattage	Pallet Qty.	Standard Carton Qty.
ECBR LED M6	784231874912	Red, Integrated LED Light Bar	120/277	3	360	6
ECBG LED M6	784231874943	Green, Integrated LED Light Bar	120/277	3	360	6

DIMENSIONS



ACCESSORIES

- ELA WG1 Wireguard, 15" Wide (back mount only)

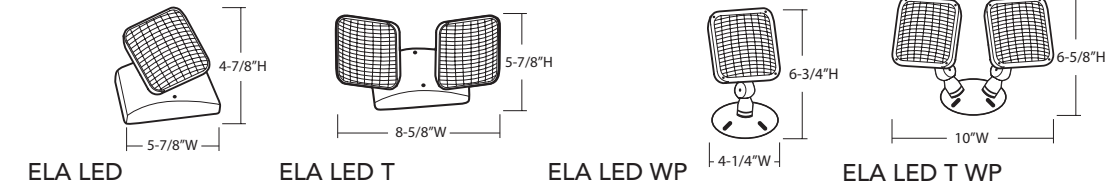
FEATURES

- Powered by 9.6V emergency equipment providing light for the path of egress
- Long lasting, efficient ultra-bright white LED lamp heads
- Fully adjustable lamp heads meet all aiming requirements
- White thermoplastic indoor models
- Die-cast aluminum outdoor models; damp location listed
- Only compatible with EC LED HO, ECB LED and LHQM LED HO

ORDERING INFORMATION

Catalog Number	UPC	Description	Supply Voltage	Input Wattage	Pallet Qty.	Standard Carton Qty.
ELA LED M12	784231918326	Single, Remote Lamp	9.6	1	432	12
ELA LED T M12	784231918357	Double, Remote Lamp	9.6	2	288	12
ELA LED WP M12	784231918418	Single, Weather-Proof Remote Lamp	9.6	1	432	12
ELA LED T WP M12	784231918449	Double, Weather-Proof Remote Lamp	9.6	2	192	12

DIMENSIONS



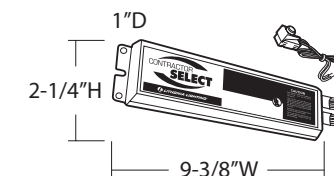
FEATURES

- Reduced profile design fits in low-profile channel covers
- Durable metal housing resists impact and corrosion
- Sealed, maintenance-free Ni-cad battery
- 500 initial lumens optimized for T8 providing 90 minutes of emergency lighting

ORDERING INFORMATION

Catalog Number	UPC	Description	Voltage	Wattage	Pallet Qty.	Standard Carton Qty.
EI500 M12	745973432075	500 Lumen Fluorescent Battery Pack	120/277	2.2/2.3	576	12

DIMENSIONS



Remote Lamps



Battery Pack



CONTRACTOR
SELECT



OUTDOOR

- Floodlighting
- Building Mounted
- Step Lights
- Utility Vapor Tights
- Ceiling Mount Utility
- Security Lighting

FEATURES

- Replaces up to 100W PAR38 halogen
- Designed for signs, landscape lighting and commercial or residential building facades
- Available in two distributions, 5x5 general flood and 2x2 spot
- 5000K CCT LEDs for maximum illumination and 3000K CCT LEDs for best match to existing incandescent lighting
- Housing is IP65 rated to protect LEDs and electronics and ensure long fixture life
- L70 50,000 hours

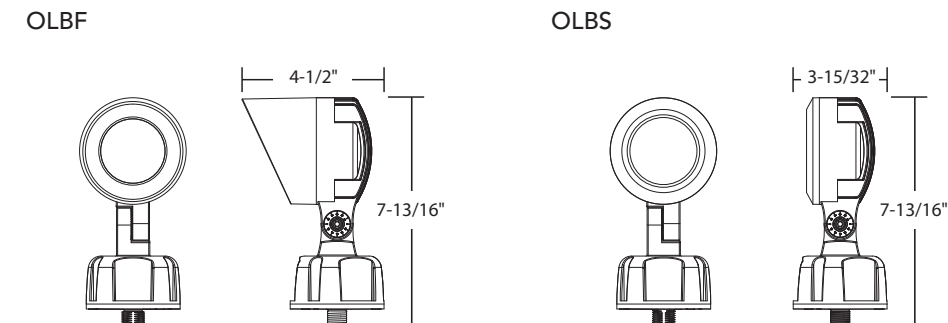


ORDERING INFORMATION

Catalog Number	UPC	Description	Lumens*	Color Temperature*	Voltage	Finish	Photocell Included	Approximate Weight (lbs)	Pallet Qty.	Standard Carton Qty.
OLBF 8 30K DDB M6	820476007569	LED Bullet, Flood, 5x5 Distribution	592	3000K	120-277	Dark Bronze	N	2.5	288	6
OLBF 8 50K DDB M6	753573899495	LED Bullet, Flood, 5x5 Distribution	835	5000K	120-277	Dark Bronze	N	2.5	288	6
OLBS 8 30K DDB M6	820476007576	LED Bullet, Spot, 2x2 Distribution	638	3000K	120-277	Dark Bronze	N	2.2	288	6
OLBS 8 50K DDB M6	753573899310	LED Bullet, Spot, 2x2 Distribution	857	5000K	120-277	Dark Bronze	N	2.2	288	6

* Numbers listed are nominal.

DIMENSIONS



Certain airborne contaminants can diminish integrity of acrylic. See pg.156 for Acrylic Compatibility table for suitable uses.

70 – 400 watts



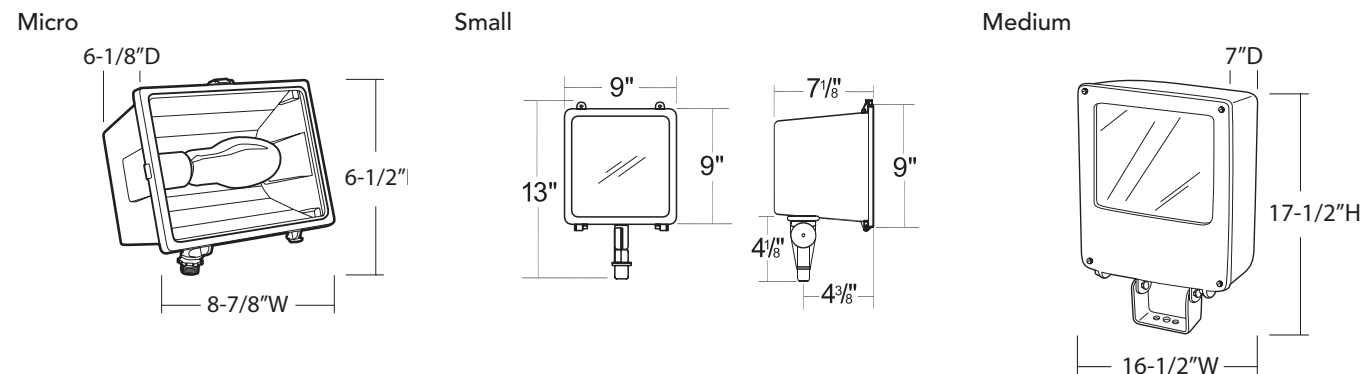
FEATURES

- Ideal for signs, landscaping and commercial building facades
- Rugged, die-cast aluminum housing is ribbed for maximum heat dissipation
- Anodized aluminum reflectors with high efficiency and wide beam spread
- Tempered glass lens with high-temperature gasket seals against moisture and contaminants
- Micro and small floodlights feature adjustable mounting knuckle with 1/2" NPS threaded stem; medium flood is yoke mount
- EISA compliant
- Lamp included

ORDERING INFORMATION

Catalog Number	UPC	Description	Wattage	Lamp Source	Voltage	Finish	Lamp Included	Approximate Weight (lbs)	Pallet Qty.	Standard Carton Qty.
F70SL 120 M6	745973505441	Micro Floodlight	70	HPS	120	Dark Bronze	Y	7	180	6
F150SL 120 M6	745973505380	Micro Floodlight	150	HPS	120	Dark Bronze	Y	7	180	6
F70ML 120 M6	745973505489	Micro Floodlight	70	MH	120	Dark Bronze	Y	7	144	6
F100ML 120 M6	745973817872	Micro Floodlight	100	MH	120	Dark Bronze	Y	7	144	6
F150ML M4	745975146208	Small Floodlight	150	MH	120/208/240/277	Dark Bronze	Y	14	64	4
F250ML SCWA	745975145126	Medium Floodlight	250	MH	120/208/240/277	Dark Bronze	Y	29	20	1
F400ML SCWA	745975145195	Medium Floodlight	400	MH	120/208/240/277	Dark Bronze	Y	29	20	1

DIMENSIONS



FEATURES

- Ideal for signs, landscape lighting and commercial or residential building facades
- Rugged, die-cast aluminum housing is ribbed for maximum heat dissipation
- Anodized aluminum reflectors with high efficiency and wide beam spread
- Adjustable mounting knuckle with 1/2" NPS threaded stem
- F500QLD features a cast door

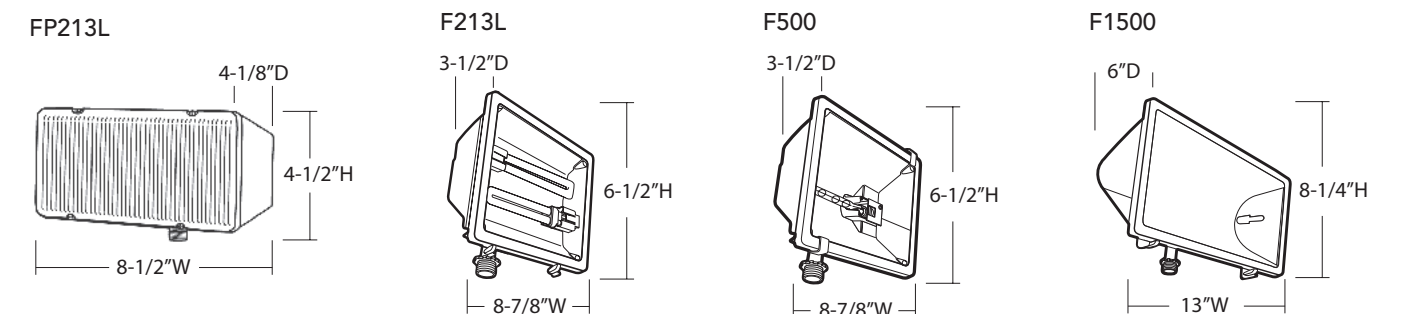
13 – 1500 watts



ORDERING INFORMATION

Catalog Number	UPC	Description	Wattage	Lamp Source	# of Lamps	Voltage	Finish	Lamp Included	Approximate Weight (lbs)	Pallet Qty.	Standard Carton Qty.
FP213L 120 M12	745973817902	Polycarbonate Floodlight	13	Fluorescent	2	120	Dark Bronze	Y	2	288	12
F213L 120 M12	745973505175	Die-cast Floodlight	13	Fluorescent	2	120	Dark Bronze	Y	6	240	12
F500QL 120 M12	745973505557	Die-cast Floodlight	500	Quartz	1	120	Dark Bronze	Y	3	240	12
F500QLD 120 M12	745973505533	Die-cast Floodlight	500	Quartz	1	120	Dark Bronze	Y	3	240	12
F1500QD M6	745973505526	Cast-glass Floodlight	1500	Quartz	1		Dark Bronze	N	6	72	6

DIMENSIONS



Certain airborne contaminants can diminish integrity of acrylic. See pg.156 for Acrylic Compatibility table for suitable uses.



FEATURES

- TWS replaces up to 42W CFL or 70W MH; TWR1/2 replaces up to 175-400W MH
- Ideal for providing outdoor security and perimeter lighting in commercial applications
- Same durable construction as our traditional wall packs but with long-life energy-efficient LEDs
- Mounts to recessed junction box or surface wiring via conduit entry points (TWR1/TWR2 only)

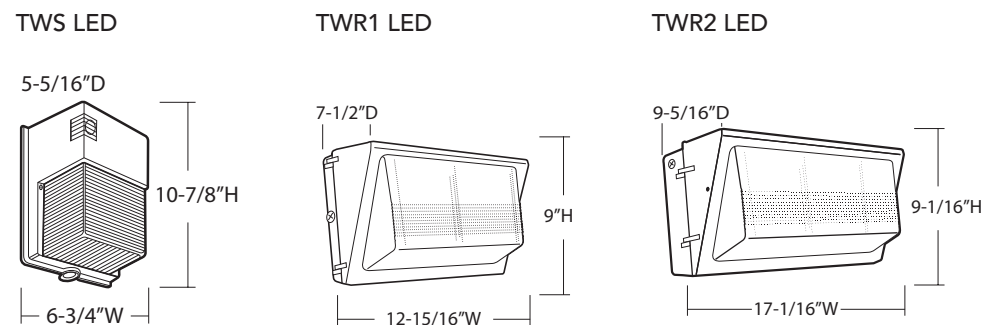


ORDERING INFORMATION

Catalog Number	UPC	Description	Lumens*	Color Temperature*	Voltage	Finish	Photocell Included	Approximate Weight (lbs)	Pallet Qty.	Standard Carton Qty.
TWS LED 1 50K 120 PE M4	753573833468	Non-cutoff	1,000	5000K	120V	Dark Bronze	Y	3	144	4
TWR1 LED 1 50K MVOLT M2	753573833512	Non-cutoff	2,100	5400K	120-277	Dark Bronze	N	12	60	2
TWR1 LED 2 50K MVOLT M2	753573833529	Non-cutoff	3,500	5000K	120-277	Dark Bronze	N	12	60	2
TWR1 LED 3 50K MVOLT M2	753573833550	Non-cutoff	4,900	5000K	120-277	Dark Bronze	N	12	60	2
TWR2 LED 1 50K MVOLT DDB	753573833574	Non-cutoff	7,000	5000K	120-277	Dark Bronze	N	17	32	1

* Numbers listed are nominal.

DIMENSIONS



FEATURES

- Ideal for providing outdoor security and perimeter lighting in commercial applications
- Rugged, corrosion-resistant, die-cast aluminum back housing and hinged door frame
- Anodized aluminum reflector
- Castings are sealed with a one-piece gasket to prevent contamination
- Housing configured for mounting directly over a standard 4" outlet box
- Suitable for surface wiring via any of three convenient 1/2" threaded conduit entry hubs
- EISA compliant
- Lamp included

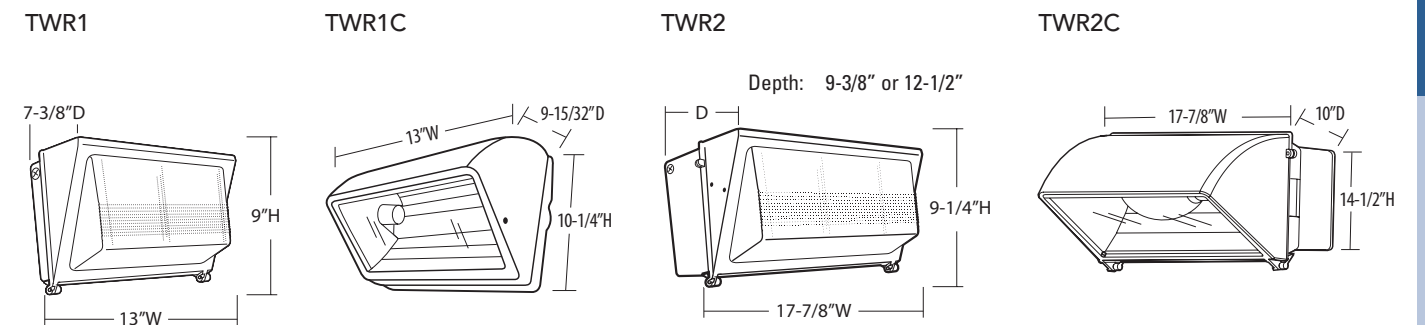
150 – 400 watts



ORDERING INFORMATION

Catalog Number	UPC	Description	Wattage	Lamp Source	Voltage	Finish	Lamp Included	Approximate Weight (lbs)	Pallet Qty.	Standard Carton Qty.
TWR1 150M TB LPI	745975146000	Non-cutoff	150	MH	120/208/240/277	Dark Bronze	Y	18	36	1
TWR1C 150M TB LPI	745975151004	Cutoff	150	MH	120/208/240/277	Dark Bronze	Y	18	30	1
TWR2 250M TB SCWA LPI	745975145324	Non-cutoff	250	MH	120/208/240/277	Dark Bronze	Y	26	24	1
TWR2C 250M TB SCWA LPI	745975145379	Cutoff	250	MH	120/208/240/277	Dark Bronze	Y	21	16	1
TWR2 400M TB SCWA LPI	745975145348	Non-cutoff	400	MH	120/208/240/277	Dark Bronze	Y	31	24	1
TWR2C 400M TB SCWA LPI	745975145423	Cutoff	400	MH	120/208/240/277	Dark Bronze	Y	25	16	1

DIMENSIONS



70 – 100 watts HPS/MH



FEATURES

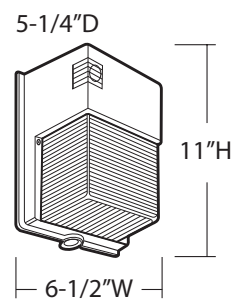
- Ideal for providing outdoor security and perimeter lighting in commercial applications
- Cast aluminum backplate with polycarbonate cover (W70SPL); rugged, corrosion-resistant, die-cast aluminum back housing and hinged door frame (WC100ML)
- Electrical components are mounted to cast aluminum backplate for maximum heat dissipation
- Gasketing between backplate and front cover prevents entry of water and contaminants
- Designed for wall mounting and includes knockouts for routing electrical conduit
- Lamp included

ORDERING INFORMATION

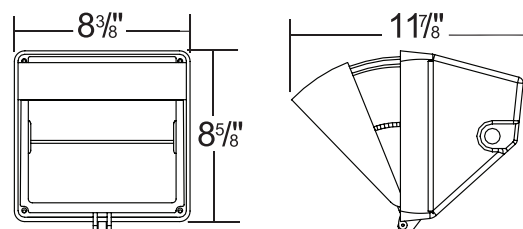
Catalog Number	UPC	Description	Wattage	Lamp Source	Voltage	Finish	Lamp Included	Photocell Included	Approximate Weight (lbs)	Pallet Qty.	Standard Carton Qty.
W70SPL 120 M6	745973505571	Non-cutoff	70	HPS	120	Dark Bronze	Y	Y	5	144	6
WC100ML M4	745974487302	Cutoff	100	MH	120/208/240/277	Dark Bronze	Y	N	10	80	4

DIMENSIONS

W70SPL



WC100ML



FEATURES

- Replaces up to 13W CFL or 60W INC walkway and stairway applications
- Features 4000K LEDs (75 CRI)
- Polycarbonate lens protects the LED from moisture, dirt and other contaminants
- Available in square and round; dark bronze and white



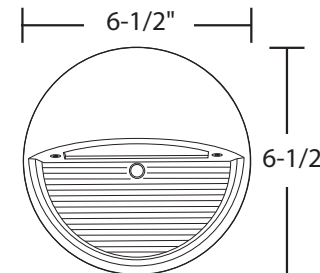
ORDERING INFORMATION

Catalog Number	UPC	Description	Lumens*	Color Temperature*	Voltage	Finish	Photocell Included	Approximate Weight (lbs)	Pallet Qty.	Standard Carton Qty.
OLSR DDB M6	753573325932	Round, LED Step Light	370	4000K	120-277	Dark Bronze	N	2	432	6
OLSR WH M6	753573325413	Round, LED Step Light	370	4000K	120-277	White	N	2	432	6
OLSS DDB M6	753573325253	Square, LED Step Light	330	4000K	120-277	Dark Bronze	N	2	576	6
OLSS WH M6	753573325376	Square, LED Step Light	330	4000K	120-277	White	N	2	576	6

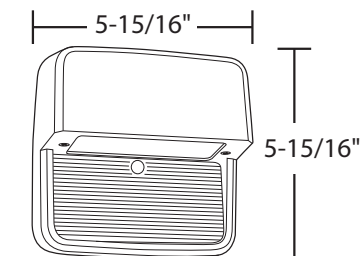
* Numbers listed are nominal.

DIMENSIONS

OLSR



OLSS



LED Utility Vapor Tights

Utility Vapor Tights



FEATURES

- Replaces up to 26W CFL or 150W INC
- Features 4000K color temp LEDs (74 CRI)
- Frosted glass globe protects LEDs and ensures even light distribution
- Wall or ceiling mount with integrated wet location junction box
- Wet Location Listed

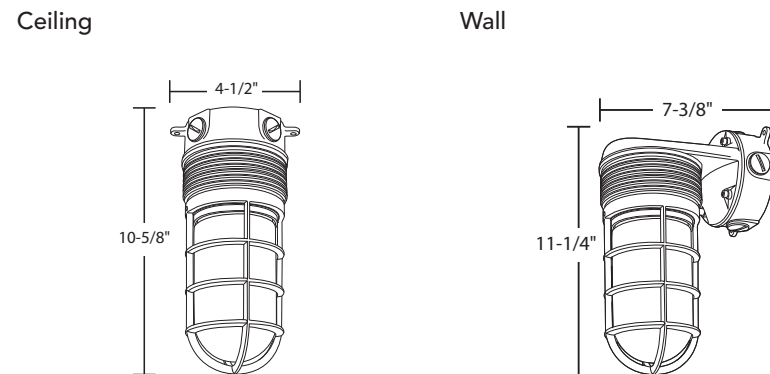


ORDERING INFORMATION

Catalog Number	UPC	Description	Lumens*	Color Temperature*	Voltage	Finish	Photocell Included	Approximate Weight (lbs)	Pallet Qty.	Standard Carton Qty.
OLVTCM M6	753573237433	LED Ceiling Mounted Vapor Tight	600	4000K	120-277	Grey	N	3	216	6
OLVTWM M6	753573237457	LED Wall Mounted Vapor Tight	600	4000K	120-277	Grey	N	3	162	6

* Numbers listed are nominal.

DIMENSIONS



FEATURES

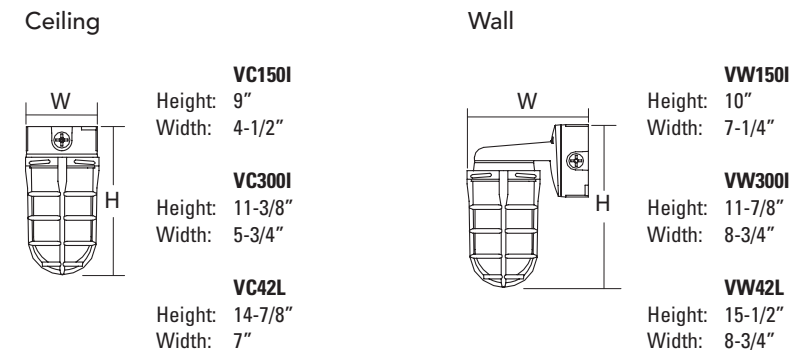
- Utility wall- or ceiling-mounted fixtures for general purpose applications
- Designed for easy installation and maintenance
- Rugged die-cast aluminum housing with heavy-duty glass globe
- 3/4" threaded knockouts allow for side or top conduit entry
- Junction box included



ORDERING INFORMATION

Catalog Number	UPC	Description	Wattage	Lamp Source	Voltage	Lamp Included	Approximate Weight (lbs)	Pallet Qty.	Standard Carton Qty.
VC150I M12	745973817704	Ceiling Mount	150	Incandescent	120	N	2	288	12
VW150I M12	745973817681	Wall Mount	150	Incandescent	120	N	2	192	12
VC300I M6	745973817674	Ceiling Mount	300	Incandescent	120	N	2	144	6
VW300I M6	745973817643	Wall Mount	300	Incandescent	120	N	2	72	6
VC42L M6	745973817773	Ceiling Mount	42	CFL	120	Y	6	72	6
VW42L M6	745973817711	Wall Mount	42	CFL	120	Y	6	36	6

DIMENSIONS





FEATURES

- Replaces up to 250W MH
- Ideal for replacing traditional ceiling fixtures used for general lighting applications
- Same durable construction as our traditional ceiling Lights but with long-life energy-efficient LEDs
- Mounts to recessed junction box or surface wiring via conduit entry points

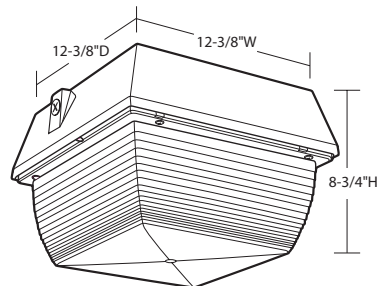


ORDERING INFORMATION

Catalog Number	UPC	Description	Lumens*	Color Temperature*	Voltage	Finish	Photocell Included	Approximate Weight (lbs)	Pallet Qty.	Standard Carton Qty.
VRC LED 1 50K MVOLT M6	753573853367	Ceiling Mount	3,400	5000K	120-277	Dark Bronze	N	7.5	48	6

* Numbers listed are nominal.

DIMENSIONS



Certain airborne contaminants can diminish integrity of acrylic. See pg.156 for Acrylic Compatibility table for suitable uses.

FEATURES

- Utility ceiling mount fixture for general purpose applications
- Designed for easy installation and maintenance
- Constructed from one-piece die-cast aluminum and polycarbonate, prismatic lens
- Features 3 threaded 1/2" NPS plugs for conduit entry
- Gasketed perimeter lens and closed-cell housing seals against moisture and contaminants

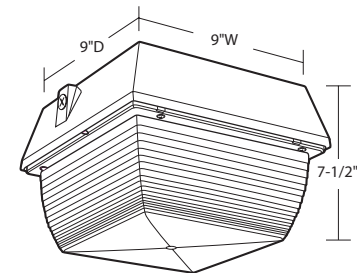
70 watts MH/HPS



ORDERING INFORMATION

Catalog Number	UPC	Description	Wattage	Lamp Source	Voltage	Finish	Lamp Included	Approximate Weight (lbs)	Pallet Qty.	Standard Carton Qty.
VRC70ML 120/277 M6	745974487333	Ceiling Mount Utility	70	MH	120/277	Dark Bronze	Y	9	72	6
VRC70SL 120/277 M6	745974487340	Ceiling Mount Utility	70	HPS	120/277	Dark Bronze	Y	9	72	6

DIMENSIONS



Certain airborne contaminants can diminish integrity of acrylic. See pg.156 for Acrylic Compatibility table for suitable uses.



FEATURES

- Replaces up to 100W MH or 175W MV area lights
- Arm- or wall-mounted LED security light for yards, service roads and building perimeters
- Rugged, die-cast aluminum head with photocell included
- Polycarbonate lens is sealed to keep moisture and bugs out
- Mounts directly to wall or with arm (sold separately)

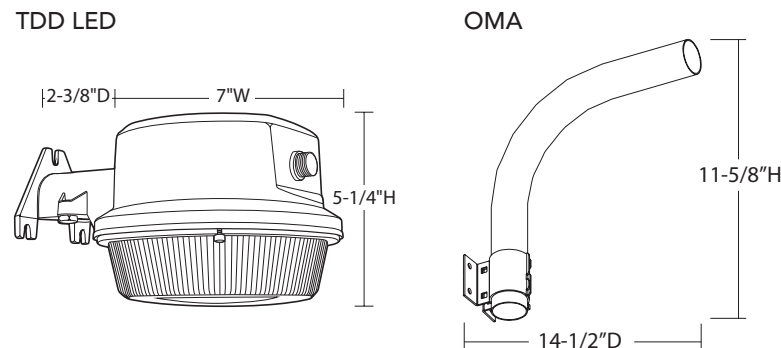


ORDERING INFORMATION

Catalog Number	UPC	Description	Lumens*	Color Temperature*	Voltage	Finish	Photocell Included	Approximate Weight (lbs)	Pallet Qty.	Standard Carton Qty.
TDD LED 1 40K 120 DNA M2	753573853374	LED Security Light	1,412	4000K	120V	Natural Aluminum	Y	8.8	180	2

* Numbers listed are nominal.

DIMENSIONS



ACCESSORIES

- OMA M6 14" Aluminum Mounting Arm

Certain airborne contaminants can diminish integrity of acrylic. See pg.156 for Acrylic Compatibility table for suitable uses.

FEATURES

- Arm-mounted security light for yards, service roads and building perimeters
- Rugged, die-cast aluminum head with photocell included
- Formed aluminum reflector and open-bottom refractor for ease of maintenance and lamp replacement
- Prismatic refractor provides uniform symmetrical Type V distribution
- Mounting arm and all mounting hardware included in carton
- Lamp included

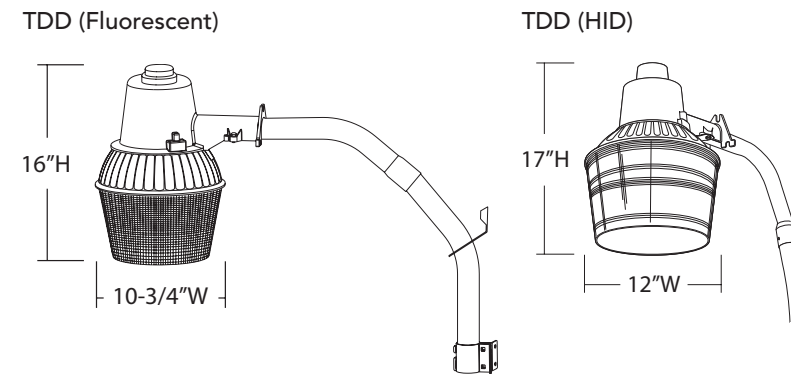
65 – 150 watts



ORDERING INFORMATION

Catalog Number	UPC	Description	Wattage	Lamp Source	Voltage	Mounting Arm Length	Lamp Included	Approximate Weight (lbs)	Pallet Qty.	Standard Carton Qty.
TDD65L 120 M2	745974487494	10" Security Light	65	Fluorescent	120	18"	Y	4	32	2
TDD100ML 120 M2	745974100140	12" Security Light	100	MH	120	24"	Y	12	24	2
TDD150SL 120 M2	745973506172	12" Security Light	150	HPS	120	24"	Y	12	24	2

DIMENSIONS



ACCESSORIES

- CF65QT41 M6 Replacement for 65W fluorescent lamp
- RK1 TDDLENS M6 Security Light Replacement Lens (not available on the 65W fluorescent version)

Certain airborne contaminants can diminish integrity of acrylic. See pg.156 for Acrylic Compatibility table for suitable uses.

The **Supplemental Stock** portion of the Stock Guide includes some of the more popular stocking items from Lithonia Lighting’s broader project-focused product portfolio. With over 65 years of expertise, quality and dependability, Lithonia Lighting provides the industry’s strongest stock portfolio.

BRAND STRENGTH

Lithonia Lighting is more than a brand, it is the most recognized and trusted name in the lighting industry. Our reputation for value and performance is built on over 65 years of product expertise and service excellence. The strength of the Lithonia Lighting name provides customers with the assurance that their expectations will be met.

PRODUCT STRENGTH

From I-BEAM to Quantum, Lithonia Lighting offers the broadest stock portfolio in the lighting industry. With solutions that cover all product categories, from indoor to outdoor to lighting controls, you are certain to find the ideal product for any application.

SERVICE STRENGTH

As an industry leader, we are determined to provide superior value to our customers. Whether it’s our strong agency sales force, our quick shipment opportunities or our innovative service capabilities such as Acuity Distributor Center and EDI, our goal is to make selecting, ordering and receiving the product easy.



COMMERCIAL

- Relight 65
- Volumetric Lighting. 66-67
- Troffers 68-71
- Parabolics 72
- Energy-Saving, Louvered. 73
- Wraps. 74-75 LEI
- Lensed Surface Mount. 76
- Flush & Semi-flush 77
- Litepuff. 78-79
- Wall Brackets. 80-81
- Strip Lights 82-84
- Undercabinets 85-89 LEI

INDUSTRIAL

- Industrial Strips. 91
- Wet Location Industrials. 92
- High & Low Bay Lighting 93-97 LEI

DOWNLIGHTING

- Residential
 - LED Housings & Modules 100-101 LEI
 - 6" Housings & Trims 104-105
- Commercial
 - LED Housings & Modules 102-103 LEI
 - 6" & 8" Vertical Frame-in & Reflectors 106-107
 - 6" & 8" Horizontal Frame-in & Reflectors 108-109

EMERGENCY

- Emergency Exits 111-113 LEI
- Emergency Combos 114, 116 LEI
- Emergency Units. 115, 117 LEI
- Remote Lamps 118 LEI
- Battery Packs. 119

OUTDOOR

- Floodlighting 121-125 LEI
- Building Mounted 126-131 LEI
- Canopy Lighting. 132 LEI
- Security Lighting 133 LEI
- Area Lighting. 134-135



- Relight
- Volumetric Lighting
- Troffers
- Parabolics
- Energy-Saving, Louvered
- Wraps
- Lensed Surface Mount
- Flush and Semi-Flush
- Litepuff
- Wall Brackets
- Strip Lights
- Undercabinets

FEATURES

- Ideal solution for renovating obsolete lensed troffer systems
- Designed to eliminate the "cave effect" by delivering the right amount of light
- Splice box is provided to enclose electrical connections and ballast disconnect plug is standard
- Reflector system uses a highly reflective white finish for optimum efficiency



ORDERING INFORMATION

Catalog Number	UPC	Description	# of Lamps	Wattage	# of Ballast	Voltage	Ballast Type	Pre-Wired	Lamp Included	Standard Pallet Qty.	Carton Qty.
2RT8RT 232 BINP	745976127732	2x4 T8, Relight Volumetric Lighting	2	32	1	120 - 277	T8, Normal Ballast Factor	N	N	20	1

Certain airborne contaminants can diminish integrity of acrylic. See pg.156 for Acrylic Compatibility table for suitable uses.

Volumetric Lighting

2RT5/2RT5S



FEATURES

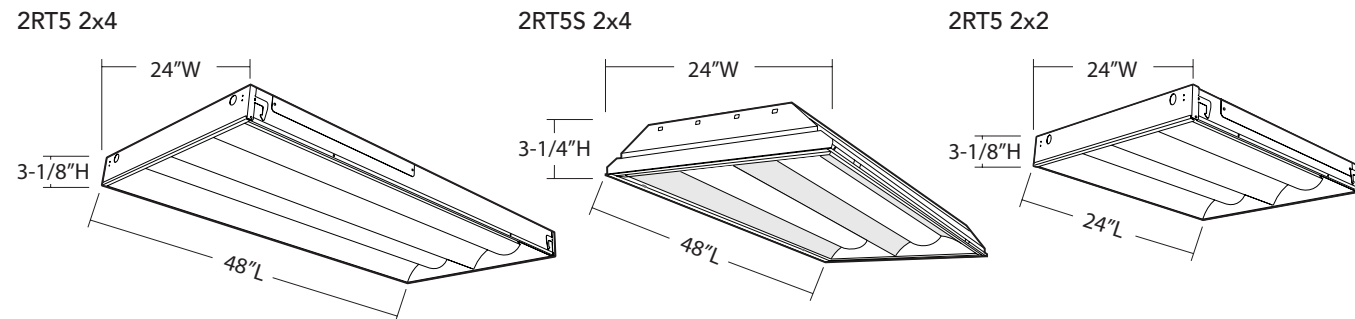
- Ideal for volumetric lighting applications such as offices, schools, hospitals and retail applications
- Low profile 3-1/8" depth makes RT5™ fixture perfect for applications where plenum height is a factor
- Two-piece refractor system includes micro-facets that echo the frequency of the prisms in the refractor, providing a quiet appearance in the ceiling
- Step-dimming options (available with GEB95S ballast) allow the system to be switched to 50% power for compliance with common energy codes
- 2RT5 features a side access ballast entry and the 2RT5S has a door frame that hinges down from either side



ORDERING INFORMATION

Catalog Number	UPC	Description	# of Lamps	Wattage	Voltage	Ballast Type	Lamp Included	Pallet Qty.	Standard Carton Qty.
2RT5 14T5 MVOLT GEB115 LP835	784231001264	2x2 T5, Recessed Volumetric Lighting	2	14	120 - 277	Electronic, Program Start	Y	56	1
2RT5 28T5 MVOLT GEB95 LPM835P	784231013816	2x4 T5, Recessed Volumetric Lighting	2	28	120 - 277	Electronic, Program Start	Y	28	1
2RT5 28T5 MVOLT GEB95S LPM835P	784231002377	2x4 T5, Recessed Volumetric Lighting	2	28	120 - 277	Electronic, Program Start	Y	28	1
2RT5S 28T5 MVOLT GEB95S LPM835P	745976828066	2x4 T5, Recessed Volumetric Lighting	2	28	120 - 277	Electronic, Program Start	Y	28	1

DIMENSIONS



Certain airborne contaminants can diminish integrity of acrylic. See pg.156 for Acrylic Compatibility table for suitable uses.

Volumetric Lighting

2RT8S



FEATURES

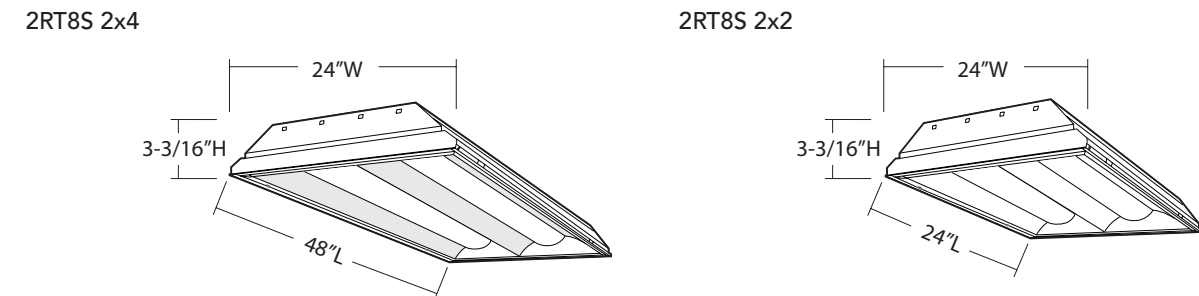
- Ideal for volumetric lighting applications such as offices, schools, hospitals and retail applications
- Low profile 3-3/16" depth makes RT8S ideal for applications where plenum height is a factor
- Reflector includes micro-facets that echo the frequency of the prisms in the refractor providing a quiet appearance in the ceiling
- Features a 98% reflective Alanod Miro silver optical assembly



ORDERING INFORMATION

Catalog Number	UPC	Description	# of Lamps	Length	Wattage	Voltage	Reflector Type	Lamp Included	Pallet Qty.	Standard Carton Qty.
2RT8S 2 17 MVOLT GEB10IS	745976774516	2x2 T8, Recessed Volumetric Lighting	2	24"	17	120 - 277	Steel	N	56	1
2RT8S 2 32 MVOLT GEB10IS	745976774677	2x4 T8, Recessed Volumetric Lighting	2	48"	32	120 - 277	Steel	N	28	1

DIMENSIONS



Certain airborne contaminants can diminish integrity of acrylic. See pg.156 for Acrylic Compatibility table for suitable uses.

Volumetric Troffer

VT



FEATURES

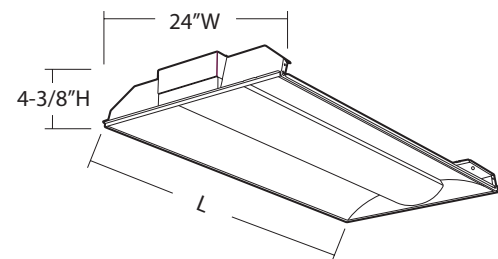
- Simple and understated design complements the style of modern commercial spaces
- Designed to eliminate the cave effect, provide a quiet ceiling and offer improved visual comfort
- Available in T8 or T5 lamps



ORDERING INFORMATION

Catalog Number	UPC	Description	# of Lamps	Wattage	Voltage	Ballast Type	Lamp Included	Pallet Qty.	Standard Carton Qty.
2VT5 2 28T5 ADP MVOLT GEB10PS	745977640193	2x4 T5 Volumetric Troffer	2	28	120 - 277	NEMA Premium®, Instant Start	N	16	1
2VT8 2 17 ADP MVOLT GEB10IS	745977640384	2x2 T8, Volumetric Troffer	2	17	120 - 277	NEMA Premium®, Instant Start	N	32	1
2VT8 2 32 ADP MVOLT GEB10IS	745977640353	2x4 T8, Volumetric Troffer	2	32	120 - 277	NEMA Premium®, Instant Start	N	16	1

DIMENSIONS



Length: 24" (2x2) or 48" (2x4)

Architectural Basket Troffer

AB



FEATURES

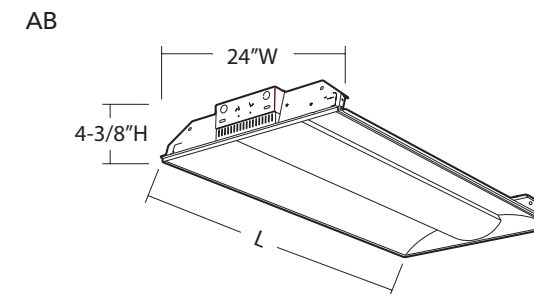
- Contemporary, budget-friendly perforated basket design
- Optical design reduces bug, dust or airborne contaminants collecting in basket
- Suitable for grid ceiling (1" and narrow T) and screw slot ceiling
- Ideal for plenums with limited space



ORDERING INFORMATION

Catalog Number	UPC	Description	# of Lamps	Wattage	Voltage	Ballast Type	Lamp Included	Pallet Qty.	Standard Carton Qty.
2AB5 2 CF40 MDR MVOLT GEB10RS	820476104732	2x2 T5, Architectural Basket Troffer	2	40	120 - 277	Electronic, Rapid Start	N	32	1
2AB8 2 17 MDR MVOLT GEB10IS	820476070594	2x2 T8, Architectural Basket Troffer	2	17	120 - 277	NEMA Premium®, Instant Start	N	32	1
2AB8 2 32 MDR MVOLT GEB10IS	820476093494	2x4 T8, Architectural Basket Troffer	2	32	120 - 277	NEMA Premium®, Instant Start	N	16	1
2AB8 3 32 MDR MVOLT 1/3 GEB10IS	820476093524	2x4 T8, Architectural Basket Troffer	3	32	120 - 277	NEMA Premium®, Instant Start	N	16	1

DIMENSIONS



Length: 24" (2x2) or 48" (2x4)

Basket Troffers

Avante



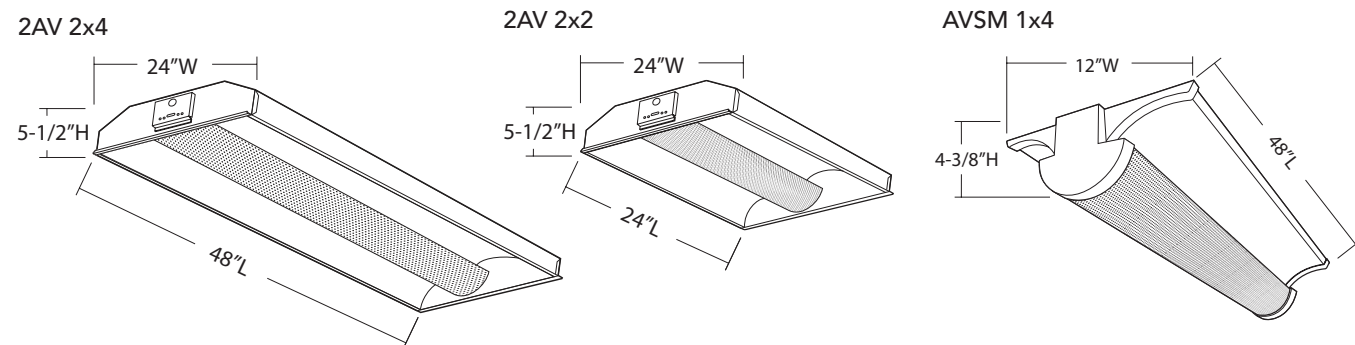
FEATURES

- Features optimum mix of directional and diffuse reflected light for balanced illumination
- Available in 2'x2' and 2'x4' symmetric distributions for general area lighting
- Injection-molded plastic light traps prevent light leaks between shielding and end plates
- Basket diffuser formed from round hole perforated steel and finished in matte white powder paint
- Matte-white polyester powder paint finished reflectors provide uniform light distribution

ORDERING INFORMATION

Catalog Number	UPC	Description	# of Lamps	Length	Wattage	# of Ballast	Voltage	Lamp Included	Pallet Qty	Standard Carton Qty
2AV G 2 17 MDR MVOLT GEB10IS	745972199269	2x2 Recessed Direct/Indirect	2	24"	17	1	120 - 277	N	28	1
2AV G 2 32 MDR MVOLT GEB10IS	784231145494	2x4 Recessed Direct/Indirect	2	48"	32	1	120 - 277	N	14	1
2AV G 2 CF40 MDR MVOLT GEB10RS	784231145524	2x2 Recessed Direct/Indirect	2	24"	40	1	120 - 277	N	28	1
AVSM 2 32 MDR DLS MVOLT GEB10IS	784231164211	1x4 Surface or Suspended, Direct/Indirect	2	48"	32	1	120 - 277	N	21	1
2AV G 3 17 MDR MVOLT GEB10IS	745972189413	2x2 Recessed Direct/Indirect	3	24"	17	2	120 - 277	N	28	1
2AV G 3 32 MDR MVOLT 1/3 GEB10IS	784231145517	2x4 Recessed Direct/Indirect	3	48"	32	1	120 - 277	N	14	1
2AV G 3 32 MDR MVOLT GEB10IS	784231145500	2x4 Recessed Direct/Indirect	3	48"	32	2	120 - 277	N	14	1

DIMENSIONS



Certain airborne contaminants can diminish integrity of acrylic. See pg.156 for Acrylic Compatibility table for suitable uses.

Lensed Troffers

2GT8



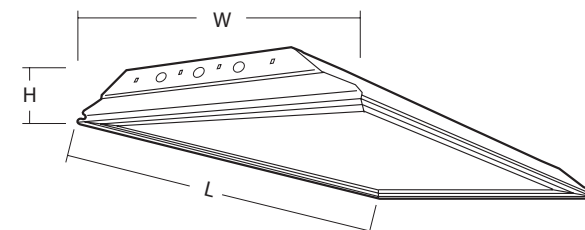
FEATURES

- Recessed lensed fixture for grid T-bar ceilings
- Low-profile design ideal for restricted plenum applications
- Smooth hemmed sides and smooth ends promote easy handling during installation
- Standard steel door frame has superior structural integrity with premium extruded appearance and mitered corners
- 100% acrylic lens with prism pattern

ORDERING INFORMATION

Catalog Number	UPC	Description	# of Lamps	Wattage	# of Ballast	Voltage	Pre-Wired	Lamp Included	Lamp Type	Standard Pallet Qty.	Standard Carton Qty.
2GT8 2 32 A12 MVOLT GEB10IS	784231155004	2x4 Recessed Troffer	2	32	1	120 - 277	N	N	-	28	1
GT8 2 32 A12 MVOLT GEB10IS	784231179116	1x4 Recessed Troffer	2	32	1	120 - 277	N	N	-	40	1
GT8 F 2 32 A12 MVOLT GEB10IS	784231179154	1x4 Recessed Troffer, Flanged	2	32	1	120 - 277	N	N	-	14	1
2GT8 3 32 A12 MVOLT GEB10IS	784231159330	2x4 Recessed Troffer	3	32	2	120 - 277	N	N	-	28	1
2GT8 3 32 A12 MVOLT 1/3 GEB10IS	784231139479	2x4 Recessed Troffer	3	32	1	120 - 277	N	N	-	28	1
2GT8 3 32 A12 MVOLT 1/3 GEB10IS LP735	784231163931	2x4 Recessed Troffer	3	32	1	120 - 277	N	Y	700 series, 3500K	28	1
2GT8 3 32 A12 MVOLT 1/3 GEB10IS PWS1836 LP735	784231139523	2x4 Recessed Troffer	3	32	1	120 - 277	Y	Y	700 series, 3500K	28	1
2GT8 4 32 A12 MVOLT GEB10IS	784231150023	2x4 Recessed Troffer	4	32	2	120 - 277	N	N	-	28	1
2GT8 4 32 A12 MVOLT 1/4 GEB10IS	784231139462	2x4 Recessed Troffer	4	32	1	120 - 277	N	N	-	28	1
2GT8 4 32 A12 MVOLT 1/4 GEB10IS LP735	784231162453	2x4 Recessed Troffer	4	32	1	120 - 277	N	Y	700 series, 3500K	28	1
2GT8 4 32 A12 MVOLT 1/4 GEB10IS LP741	784231165171	2x4 Recessed Troffer	4	32	1	120 - 277	N	Y	700 series, 4100K	28	1
2GT8 4 32 A12 MVOLT 1/4 GEB10IS PWS1836 LP741	784231165607	2x4 Recessed Troffer	4	32	1	120 - 277	Y	Y	700 series, 4100K	28	1
2GT8 4 32 A12 MVOLT 1/4 GEB10IS PWS1836 LP735	784231139486	2x4 Recessed Troffer	4	32	1	120 - 277	Y	Y	700 series, 3500K	28	1
2GT8 2 U316 A12 MVOLT GEB10IS	784231145067	2x2 Recessed Troffer	2	32-U lamp	1	120 - 277	N	N	-	56	1

DIMENSIONS



Width: 12" (1x4) or 24" (2x2; 2x4)
 Length: 24" (2x2) or 48" (1x4; 2x4)
 Height: 4-1/2" (1x4) or 3-3/16" (2x2; 2x4)

Certain airborne contaminants can diminish integrity of acrylic. See pg.156 for Acrylic Compatibility table for suitable uses.

ACCESSORIES

- **DGA14** Drywall Grid Adapter (Use with any 1x4 grid fixture)
- **DGA22** Drywall Grid Adapter (Use with any 2x2 grid fixture)
- **DGA24** Drywall Grid Adapter (Use with any 2x4 grid fixture)
- **L2GT8 A12** Replacement Lens for 2x4 Lensed Troffer

Parabolics

2PM3N



FEATURES

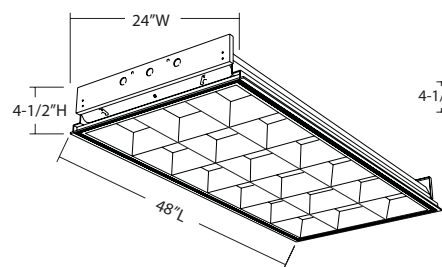
- Designed for use in open area applications where optical control, visual comfort and light cut-off are important
- Hemmed sides and ends provide smooth edges for easy handling during installation
- Mitered corners and interlocking construction assure precise parabolic shaped louver
- Integral T-bar safety clips hold fixture to T-bar securely; no fasteners required
- Hinges die-formed for maximum strength
- Spring action latches concealed in black reveal

ORDERING INFORMATION

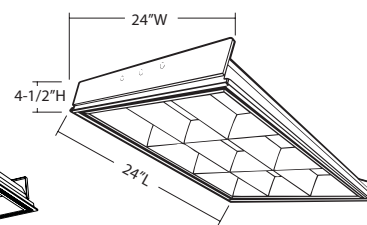
Catalog Number	UPC	Description	# of Lamps	Wattage	# of Ballast	Voltage	Pre-Wired	Lamp Included	Lamp Type	Standard Pallet Qty.	Standard Carton Qty.
2PM3N G B 2 32 12LD MVOLT GEB10IS	745971728507	2x4, Static, 12-Cell Louver	2	32	1	120 - 277	N	N	-	20	1
2PM3N G B 2 32 18LD MVOLT GEB10IS	784231180631	2x4, Static, 18-Cell Louver	2	32	1	120 - 277	N	N	-	20	1
2PM3N G B 3 32 18LD MVOLT GEB10IS	784231164570	2x4, Static, 18-Cell Louver	3	32	2	120 - 277	N	N	-	20	1
2PM3N G B 3 32 18LD MVOLT 1/3 GEB10IS	784231139509	2x4, Static, 18-Cell Louver	3	32	1	120 - 277	N	N	-	20	1
2PM3N G B 3 32 18LD MVOLT 1/3 GEB10IS LP735	784231001653	2x4, Static, 18-Cell Louver	3	32	1	120 - 277	N	Y	700 series, 3500K	20	1
2PM3N G B 3 32 18LD MVOLT 1/3 GEB10IS PWS1836 LP735	784231139516	2x4, Static, 18-Cell Louver	3	32	1	120 - 277	Y	Y	700 series, 3500K	20	1
2PM3N G D 3 32 18LD MVOLT 1/3 GEB10IS ACS	784231145074	2x4, Air, 18-Cell Louver	3	32	1	120 - 277	N	N	-	20	1
2PM3N G B 4 32 32LD MVOLT 1/4 GEB10IS	784231173756	2x4, Static, 32-Cell Louver	4	32	1	120 - 277	N	N	-	20	1
2PM3N G B 3 17 9LD MVOLT 1/3 GEB10IS	745972194097	2x2, Static, 9-Cell Louver	3	17	1	120 - 277	N	N	-	40	1
2PM3N G B 2 U316 9LD MVOLT GEB10IS	784231162446	2x2, Static, 9-Cell Louver	2	32-U lamp	1	120 - 277	N	N	-	40	1

DIMENSIONS

2PM3N 2x4



2PM3N 2x2



ACCESSORIES

- **2PBL3N 18LD** 18-cell Replacement Louver

Energy-Saving, Louvered T8

2ES8P



FEATURES

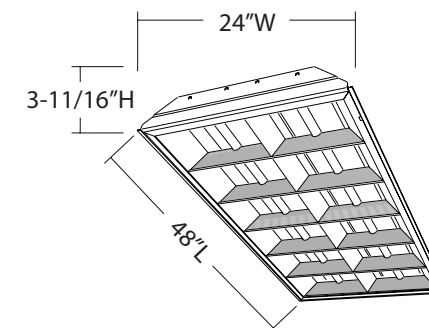
- Provides a high-performance T8 (HPT8) energy-saving alternative to 3-lamp, 18-cell parabolic fixtures
- 2ES8P can provide 44% energy savings while meeting IESNA recommended illuminance levels
- Highly reflective surfaces combine with efficient design to produce up to 86% photometric efficiency
- Combining robust design, precision-tooling and automated assembly creates the industry's strongest louver

ORDERING INFORMATION

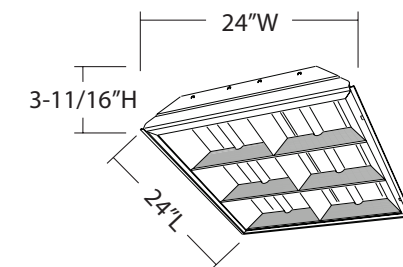
Catalog Number	UPC	Description	# of Lamps	Wattage	Voltage	Ballast Type	Lamp Included	Standard Pallet Qty.	Standard Carton Qty.
2ES8P 217 BIHP L835HT8	745973900635	2x2 Energy-Saving T8	2	17	120 - 277	High Efficiency T8, High Ballast Factor, Instant Start	Y	48	1
2ES8P 232 BILP L835HT8	745973870372	2x4 Energy-Saving T8	2	32	120 - 277	High Efficiency T8, Low Ballast Factor, Instant Start	Y	24	1
2ES8P 232 BINP	745974277934	2x4 Energy-Saving T8	2	32	120 - 277	High Efficiency T8, Normal Ballast Factor, Instant Start	N	24	1
2ES8P 232 BINP L835HT8	745973900857	2x4 Energy-Saving T8	2	32	120 - 277	High Efficiency T8, Normal Ballast Factor, Instant Start	Y	24	1

DIMENSIONS

2ES8P 2x4



2ES8P 2x2



STL

FEATURES



- Ideal replacement for 2-lamp T8
- Ideal for use in commercial and residential applications
- Combines digital LED lighting and controls technologies with high-performance optical design
- High-efficacy light engine delivers long life and excellent color, ensuring sustainable quality lighting
- Features linear-faceted refractor with light diffusing film and white steel end caps
- Delivers L80 performance for 50,000 hours

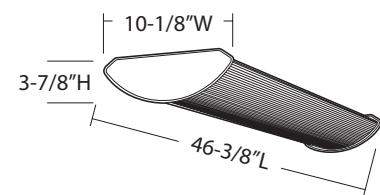


ORDERING INFORMATION

Catalog Number	UPC	Description	Lumens*	Color Temperature*	Voltage	Wattage	Pallet Qty.	Standard Carton Qty.
STL4 48L D50 LP835 NX	784231965177	Volumetric Surface-Mount LED	4,800	3500K	120 - 277	50	20	1

* Numbers listed are nominal.

DIMENSIONS



Certain airborne contaminants can diminish integrity of acrylic. See pg.156 for Acrylic Compatibility table for suitable uses.

FEATURES

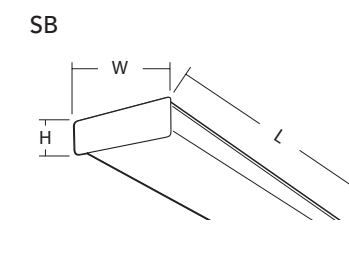
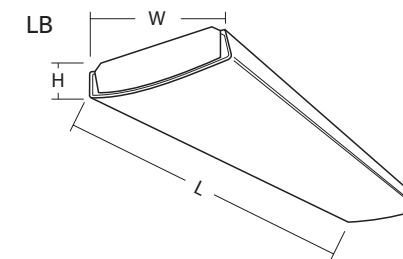
- Ideal for light commercial and residential applications
- Features acrylic prismatic diffuser
- LB offers a decorative appearance with curved diffuser; SB features a flat bottom diffuser
- Intended for surface or stem mounting, unit or row installation



ORDERING INFORMATION

Catalog Number	UPC	Description	# of Lamps	Wattage	# of Ballast	Voltage	Lamp Included	Pallet Qty.	Standard Carton Qty.
LB 2 17 MVOLT GEB10IS	745972176260	Curved-Profile, Wraparound	2	17	1	120-277	N	56	1
LB 2 32 MVOLT GEB10IS	784231151105	Curved-Profile, Wraparound	2	32	1	120-277	N	56	1
LB 3 32 MVOLT 1/3 GEB10IS	784231151112	Curved-Profile, Wraparound	3	32	1	120-277	N	34	1
LB 4 32 MVOLT GEB10IS	784231163979	Curved-Profile, Wraparound	4	32	2	120-277	N	34	1
LB 4 32 MVOLT 1/4 GEB10IS	784231151129	Curved-Profile, Wraparound	4	32	1	120-277	N	34	1
TLB 2 32 MVOLT 1/4 GEB10IS	784231159385	Tandem, Curved-Profile Wraparound	4	32	1	120-277	N	42	1
SB 2 32 120 RE	784231170809	Square-Profile, Wraparound	2	32	1	120	N	75	1
SB 2 32 MVOLT GEB10IS	784231149973	Square-Profile, Wraparound	2	32	1	120-277	N	75	1
SB 4 32 MVOLT 1/4 GEB10IS	784231149980	Square-Profile, Wraparound	4	32	1	120-277	N	42	1
TSB 2 32 MVOLT 1/4 GEB10IS	784231012291	Tandem, Square-Profile Wraparound	4	32	1	120-277	N	75	1

DIMENSIONS



Height: 2-3/4" (2-lamp) or 3" (3- and 4-lamp)
 Width: 10" (2-lamp) or 15-3/8" (3- and 4-lamp)
 Length: 48" or 96" (tandem)

Height: 2-5/8" (2-lamp) or 2-7/8" (4-lamp)
 Width: 8-5/8" (2-lamp) or 13-3/4" (4-lamp)
 Length: 48" (2-lamp or 4-lamp) or 96" (tandem 4-lamp)

ACCESSORIES

- **DLB48** 48" Replacement Lens for 2-Lamp, LB
- **D2LB48** 48" Replacement Lens for 4-Lamp, LB
- **DSB48** 48" Replacement Lens for 2-Lamp, SB
- **D2SB48** 48" Replacement Lens for 4-Lamp, SB

Certain airborne contaminants can diminish integrity of acrylic. See pg.156 for Acrylic Compatibility table for suitable uses.

Lensed Surface Mount

M



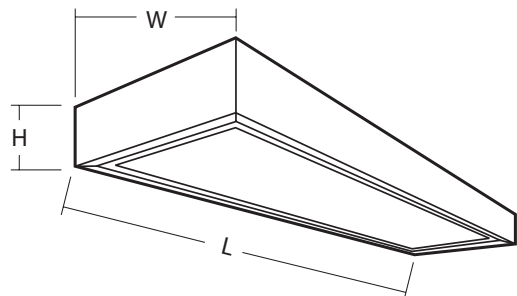
FEATURES

- Ideal for general illumination in commercial offices and indoor retail applications
- Standard steel door frame has superior structural integrity with premium extruded appearance and precision flush mitered corners
- Steel door allows easy lens replacement without frame disassembly
- For surface or stem mounting, unit or row installation

ORDERING INFORMATION

Catalog Number	UPC	Description	# of Lamps	Wattage	# of Ballast	Voltage	Ballast Type	Lamp Included	Pallet Qty.	Standard Carton Qty.
M 2 32 A12 MVOLT GEB10IS	784231159217	1x4 Modular Lensed Surface Mount	2	32	1	120-277	Electronic	N	16	1
2M 2 U316 A12 MVOLT GEB10IS	784231159163	2x2 Modular Lensed Surface Mount	2	32-U lamp	1	120-277	Electronic	N	20	1
2M 3 32 A12 MVOLT 1/3 GEB10IS	784231159170	2x4 Modular Lensed Surface Mount	3	32	1	120-277	Electronic	N	12	1
2M 4 32 A12 MVOLT 1/4 GEB10IS	784231163986	2x4 Modular Lensed Surface Mount	4	32	1	120-277	Electronic	N	10	1

DIMENSIONS



Width: 12-1/4" (1x4) or 24-1/4" (2x2; 2x4)
 Length: 24" (2x2) or 48" (1x4; 2x4)
 Height: 4-3/4" (1x4) or 3-1/2" (2x2; 2x4)

Certain airborne contaminants can diminish integrity of acrylic. See pg.156 for Acrylic Compatibility table for suitable uses.

Flush & Semi-Flush

Low-Profile Round



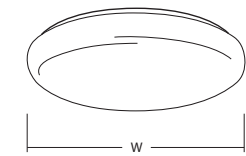
FEATURES

- Ideal for use in foyers, hallways, bedrooms, offices, utility work areas, stairways and many other rooms in the house
- Hidden cam-latches provide easy diffuser removal for installation and maintenance
- Features stay-white, acrylic diffuser, available in three sizes: 11", 14", and 19"

ORDERING INFORMATION

Catalog Number	UPC	Description	# of Lamps	Wattage	# of Ballast	Voltage	Lamp Included	Pallet Qty.	Standard Carton Qty.
FMLR 22 M4	784231153024	Small Flush, Circline Lamp	1	22	1	120	N	72	4
FMLR 54 M4	784231153031	Medium Flush, Circline Lamp	2	1-22W & 1-32W	1	120	N	32	4
FMLR 72 M4	784231153048	Large Flush, Circline Lamp	2	1-32W & 1-40W	1	120	N	32	4

DIMENSIONS



Height: 3-1/4" (small), 3-1/2" (medium), 3-5/8" (large flush) or 3-5/8" (large flush circline)
 Width: 11" (small), 13-3/4" (medium), 19-1/4" (large flush), or 19-1/4" (large flush circline)

FEATURES

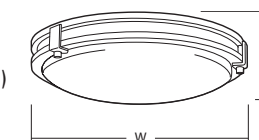
- Ideal for use in foyers, hallways, bedrooms, offices, utility work areas, stairways, and many other rooms in the house
- Fixture can be flush or semi-flush mounted, matching canopy and stems included for semi-flush mounting
- Twin steel rings surround a dropped durable, milk-white acrylic diffuser
- Includes 26W compact double twin tube (DTT) 4-pin 3500K fluorescent lamp(s) for energy efficiency, superior color rendering and long life

ORDERING INFORMATION

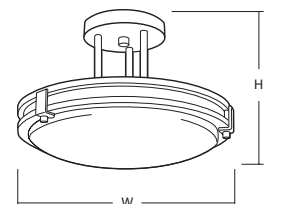
Catalog Number	UPC	Description	# of Lamps	Wattage	# of Ballast	Voltage	ENERGY STAR® Qualified	Lamp Included	Pallet Qty.	Standard Carton Qty.
11750 BN M4	784231173183	Small Flush/Semi-Flush, Brushed Nickel	1	26	1	120	Y	Y	48	4
11752 BN M4	784231173190	Large Flush/Semi-Flush, Brushed Nickel	2	26	1	120	Y	Y	48	4
11752 BZA M4	745972432779	Large Flush/Semi-Flush, Antique Bronze	2	26	1	120	Y	Y	48	4

DIMENSIONS

Saturn (Flush)
 Height: 3-1/8" (small), or 3-1/4" (large)
 Width: 13" (small), or 16" (large)



Saturn (Semi-Flush)
 Height: 8-3/8" (small), or 8-5/8" (large)
 Width: 13" (small), or 16" (large)



Saturn



Ceiling



FEATURES

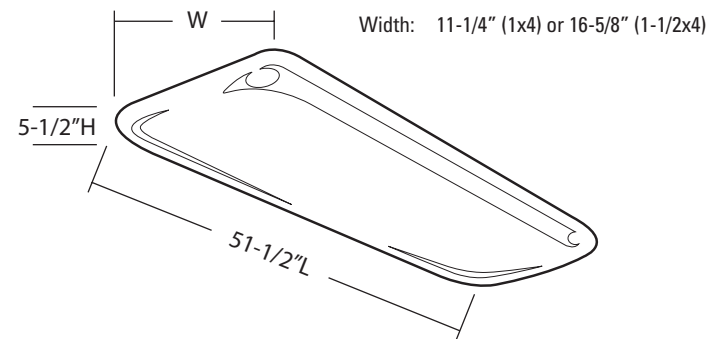
- Ideal for use in offices and all rooms in the house
- Durable, milk white acrylic diffuser provides wide spread, uniform illumination and allows easy access for cleaning and maintenance
- Decorative contoured distinctive linear design complements a variety of decors



ORDERING INFORMATION

Catalog Number	UPC	Description	# of Lamps	Length	Wattage	Voltage	Ballast Type	ENERGY STAR® Qualified	Lamp Included	Pallet Qty.	Standard Carton Qty.
10640RE	784231166994	1x4 Linear Surface Mount	2	51.5"	32	120	Residential Electronic	Y	N	30	1
10642RE	784231167007	1-1/2x4 Linear Surface Mount	4	51.5"	32	120	Residential Electronic	Y	N	22	1

DIMENSIONS



Vanity



FEATURES

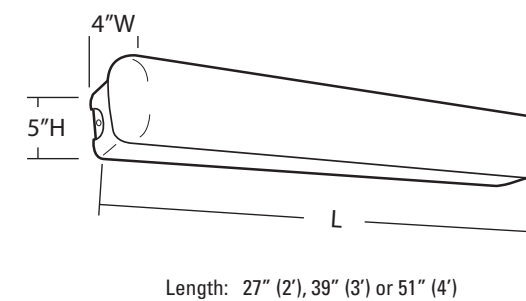
- Ideal for use as lighting in bathroom/lavatories, over hospital beds, hallways/corridors stairways and utility areas
- Durable milk-white acrylic diffuser provides a widespread uniform illumination
- Suitable for vertical or horizontal mounting



ORDERING INFORMATION

Catalog Number	UPC	Description	# of Lamps	Length	Wattage	Voltage	Ballast Type	Lamp Included	Pallet Qty.	Standard Carton Qty.
11890RE	784231163672	2' Vanity Light	2	27"	17	120	Residential Electronic	N	70	1
11891RE	784231163689	3' Vanity Light	2	39"	25	120	Residential Electronic	N	70	1
11892RE	784231163696	4' Vanity Light	2	51"	32	120	Residential Electronic	N	70	1

DIMENSIONS



Futura Linear Design



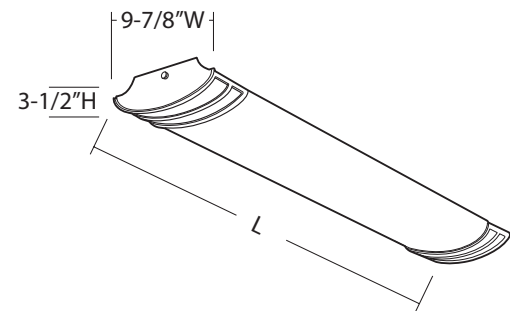
FEATURES

- Ideal for use in offices and all rooms of the house
- Ceiling mount only
- Features simple, sleek cast end caps in brushed nickel with white acrylic diffuser
- Remove one end cap for easy installation

ORDERING INFORMATION

Catalog Number	UPC	Description	# of Lamps	Length	Wattage	Voltage	Ballast Type	ENERGY STAR® Qualified	Lamp Included	Pallet Qty.	Standard Carton Qty.
10813 BN	745973202920	Indoor Decorative Linear Fluorescent	2	48.5"	17	120	Residential Electronic	Y	N	24	1
10815 BN	745975385980	Indoor Decorative Linear Fluorescent	2	24.5"	32	120	Residential Electronic	Y	N	48	1

DIMENSIONS



Length: 24-1/2" (10815) or 48-1/2" (10813)

Wall Brackets

WC/WP



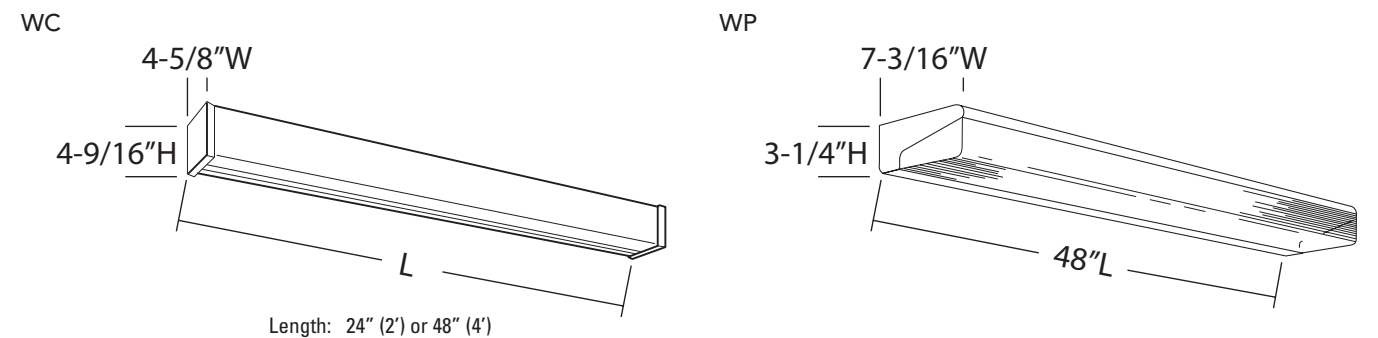
FEATURES

- Ideal for stairwells, corridors, lavatories or any utility application
- For wall or ceiling mounting — vertical or horizontal
- Provides up/down distribution
- Available in 2' and 4' configurations with two lamps in cross section

ORDERING INFORMATION

Catalog Number	UPC	Description	# of Lamps	Length	Wattage	Voltage	Ballast Type	Lamp Included	Pallet Qty.	Standard Carton Qty.
WC 2 17 MVOLT GEB10IS	745972185842	2' Commercial Wall Bracket	2	24"	17	120 - 277	NEMA Premium®, Instant Start	N	40	1
WC 2 32 MVOLT GEB10IS	784231159231	4' Commercial Wall Bracket	2	48"	32	120 - 277	NEMA Premium®, Instant Start	N	20	1
WP 2 32 MVOLT GEB10IS	784231176207	4' Premium Wall Bracket	2	48"	32	120 - 277	NEMA Premium®, Instant Start	N	40	1

DIMENSIONS



Length: 24" (2') or 48" (4')

General Purpose Strip Lights

C



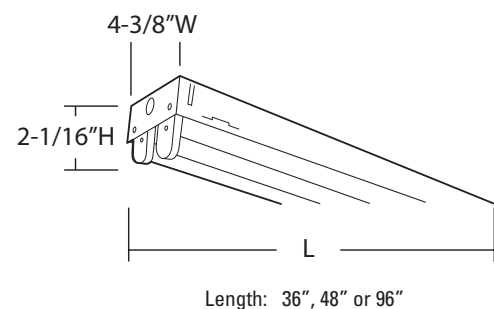
FEATURES

- Suitable for applications such as retail, commercial and light industrial
- Wide-body construction, die-formed from Code-gauge steel with white enamel finish
- Sturdy channel cover secured by captive quarter-turn latch for easy access to wireway
- End plate used for continuous row installation applications
- Ideal for surface or suspended mounting
- Features a NEMA Premium Ballast (MVOLT only)

ORDERING INFORMATION

Catalog Number	UPC	Description	# of Lamps	Length	Wattage	Voltage	Ballast Type	Lamp Included	Pallet Qty.	Standard Carton Qty.
C 1 32 MVOLT GEB10IS	745977592621	T8 General Purpose Strip	1	48"	32	120 - 277	NEMA Premium®, Instant Start	N	99	1
C 2 25 MVOLT GEB10IS	745972162355	T8 General Purpose Strip	2	36"	25	120 - 277	NEMA Premium®, Instant Start	N	99	1
C 2 32 120 RE	784231170830	T8 General Purpose Strip	2	48"	32	120	Residential Electronic	N	99	1
C 2 32 MVOLT GEB10IS	784231151082	T8 General Purpose Strip	2	48"	32	120 - 277	NEMA Premium®, Instant Start	N	99	1
C 2 96T8 MVOLT GEB10IS	784231163993	T8 General Purpose Strip	2	96"	59	120 - 277	NEMA Premium®, Instant Start	N	99	1
TC 2 32 MVOLT 1/4 GEB10IS	784231159248	Tandem, T8 General Purpose Strip	4	96"	32	120 - 277	NEMA Premium®, Instant Start	N	99	1

DIMENSIONS



ACCESSORIES

- **CSMR48** 48" Symmetric Reflector, White
- **WGCUN NST** 48" Base Wireguard, White
- **HC36 M12** 36" Wire Hook and Chain

Low-Profile Z Strips

T5 Lamps



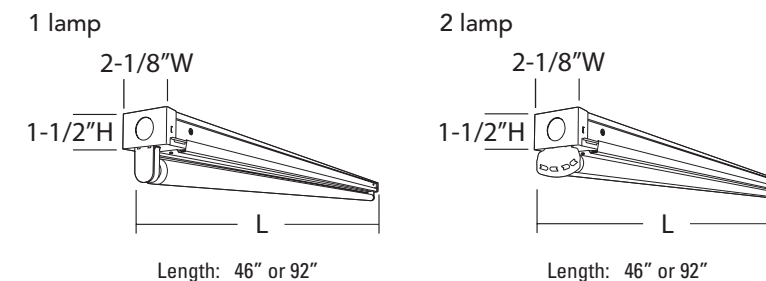
FEATURES

- Secure fit design of the patent-pending channel cover allows for easy access and quick attachment
- Patent-pending "three point" row aligner locks channel together for straighter, faster row assembly without fasteners
- Pre-loaded sockets improves speed of installation and reduces potential socket breakage
- Compact "gripper back" channel offers structural strength and reduces shipping damage
- Easy "snap n' lock" end plates allow for quick attachment and exact fit
- Improved "locking track" lamp holder enhances channel strength and lamp stability
- Features a NEMA Premium Ballast (2- and 4-lamp fixtures only)

ORDERING INFORMATION

Catalog Number	UPC	Description	# of Lamps	Length	Wattage	Voltage	Lamp Included	Pallet Qty.	Standard Carton Qty.
Z 1 28T5 MVOLT GEB10PS	745975499199	T5 Low-Profile Strip	1	46"	28	120 - 277	N	224	1
Z 1 54T5HO MVOLT GEB10PS	745975499236	T5 Low-Profile Strip	1	46"	54	120 - 277	N	224	1
Z 2 28T5 MVOLT GEB10PS	745975499274	T5 Low-Profile Strip	2	46"	28	120 - 277	N	224	1
Z 2 54T5HO MVOLT GEB10PS	745975499304	T5 Low-Profile Strip	2	46"	54	120 - 277	N	224	1
TZ 1 28T5 MVOLT GEB10PS	745975499212	Tandem, T5 Low-Profile Strip	2	92"	28	120 - 277	N	224	1
TZ 1 54T5HO MVOLT GEB10PS	745975499267	Tandem, T5 Low-Profile Strip	2	92"	54	120 - 277	N	224	1
TZ 2 54T5HO MVOLT 1/4 GEB10PS	745975809233	Tandem, T5 Low-Profile Strip	4	92"	54	120 - 277	N	224	1

DIMENSIONS



ACCESSORIES

- **Z5SMR46** 46" Symmetric Reflector, White
- **WGZ46** 46" Base Wireguard, White
- **ZSPRG M50** Z Spring Hanger (Master Pack of 50)

Low-Profile Z Strips

T8 Lamps



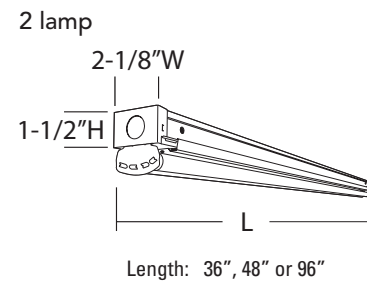
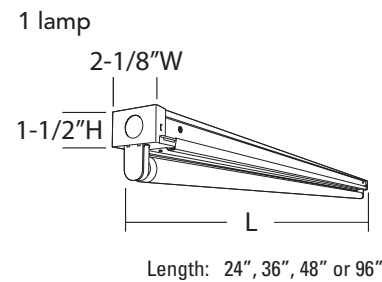
FEATURES

- Secure fit design of the patent-pending channel cover allows for easy access and quick attachment
- Patent-pending "three point" row aligner locks channel together for straighter, faster row assembly without fasteners
- Pre-loaded sockets improves speed of installation and reduces potential socket breakage
- Compact "gripper back" channel offers structural strength and reduces shipping damage
- Easy "snap n' lock" end plates allow for quick attachment and exact fit
- Improved "locking track" lamp holder enhances channel strength and lamp stability
- Features a NEMA Premium Ballast (2- and 4-lamp fixtures only)

ORDERING INFORMATION

Catalog Number	UPC	Description	# of Lamps	Length	Wattage	Voltage	Lamp Included	Pallet Qty.	Standard Carton Qty.
Z 1 17 MVOLT GEB10IS	745975949403	T8 Low-Profile Strip	1	24"	17	120 - 277	N	448	1
Z 1 25 MVOLT GEB10IS	745975998531	T8 Low-Profile Strip	1	36"	25	120 - 277	N	224	1
Z 1 32 MVOLT GEB10IS	745975499182	T8 Low-Profile Strip	1	48"	32	120 - 277	N	224	1
Z 2 25 MVOLT GEB10IS	745976210304	T8 Low-Profile Strip	2	36"	25	120 - 277	N	224	1
Z 2 32 MVOLT GEB10IS	745975500680	T8 Low-Profile Strip	2	48"	32	120 - 277	N	224	1
TZ 1 32 MVOLT GEB10IS	745975499335	Tandem, T8 Low-Profile Strip	2	96"	32	120 - 277	N	224	1
TZ 2 32 MVOLT GEB10IS	745975949441	Tandem, T8 Low-Profile Strip	4	96"	32	120 - 277	N	224	1
TZ 2 32 MVOLT 1/4 GEB10IS	745975500772	Tandem, T8 Low-Profile Strip	4	96"	32	120 - 277	N	224	1

DIMENSIONS



ACCESSORIES

- **Z8SMR48** 48" Symmetric Reflector, White
- **WGZ48** 48" Base Wireguard, White
- **ZSPRG M50** Z Spring Hanger (Master Pack of 50)

Linkable LED Cabinet Lights

UCLD



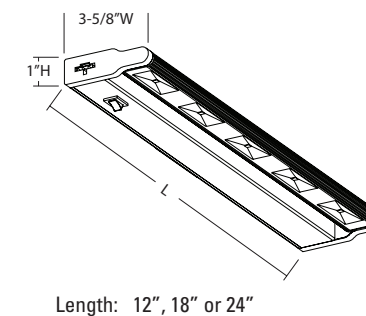
FEATURES

- Ideal replacement for 8-14W CFL
- Provides task or accent lighting in commercial, retail, hospitality and residential applications
- Features low-profile design with integral driver and on/off rocker switch
- Provides warm color temperature with 3000K LEDs (CRI 83)
- Available for use with most standard dimmable switches
- Standard with stepdown 120V driver

ORDERING INFORMATION

Catalog Number	UPC	Description	# of LEDs	Length	Wattage	Voltage	ENERGY STAR® Qualified	Lamp Included	Pallet Qty.	Standard Carton Qty.
UCLD 12 WH M4	753573031680	12" Linkable LED Cabinet Light	3	12"	5.2	120	Y	Y	576	4
UCLD 18 WH M4	753573031758	18" Linkable LED Cabinet Light	5	18"	8.6	120	Y	Y	384	4
UCLD 24 WH M4	753573031789	24" Linkable LED Cabinet Light	7	24"	11.8	120	Y	Y	192	4

DIMENSIONS



LED Modular Undercabinet Lighting

Rayzer



FEATURES

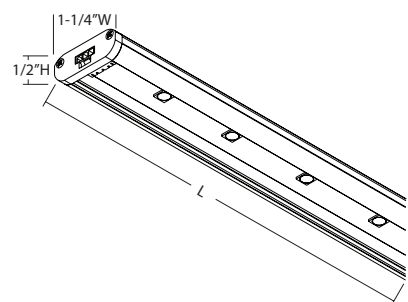
- Ideal replacement for 8-14W CFL
- Ideal for display, task, office and cove lighting
- 50,000 hour long-lasting LEDs provide even illumination (3000K with CRI 85)
- Durable aluminum, low-profile design
- Mounting clips allow for quick and easy installation (two flush and two 30° mounting clips included)
- Dimmable using the optional step dimmer (not compatible with the standard dimmer)
- Link up to 10' of fixtures per transformer
- Uses only 1.7 watts of energy per LED bulb

ORDERING INFORMATION

Catalog Number	UPC	Description	# of LEDs	Length	Wattage	Voltage	Ballast Type*	ENERGY STAR® Qualified	Lamp Included	Lamp Type	Pallet Qty.	Standard Carton Qty.
RAZ9 M6	745976882754	LED Cabinet Light	3	9"	5	120 or Multivolt	Step Down Transformer	Y	Y	LED	1512	6
RAZ12 M6	745976882778	LED Cabinet Light	4	12"	7	120 or Multivolt	Step Down Transformer	Y	Y	LED	1134	6
RAZ18 M6	745976885137	LED Cabinet Light	6	18"	10	120 or Multivolt	Step Down Transformer	Y	Y	LED	756	6
RAZ24 M6	745977165573	LED Cabinet Light	8	24"	14	120 or Multivolt	Step Down Transformer	Y	Y	LED	756	6

* 24V transformer not included but is required

DIMENSIONS



Length: 9", 12", 18" or 24"

ACCESSORIES

- RAZTRANS24 120 24V Transformer - 120V power source
- RAZTRANS24 MVOLT 24V Transformer - Multi-Volt power source
- RAZDIM Step Dimmer
- RAZ CC3 3" Linking Cord (fixture to fixture)
- RAZ CC24 24" Linking Cord (fixture to fixture)
- RAZ CC121 121" Linking Cord (fixture to fixture)
- RAZ LVCC Low Voltage Linking Cord (cord to cord)
- RAZ ERC End Row Connector
- RAZ PHD Power Hub Distributor
- RAZ INLS26 In-line Power Switch

Rayzer Accessories and Installation Diagram

Note: Fixture includes 18" linking cord, mounting clips for flush or 30° mounting, and screws.



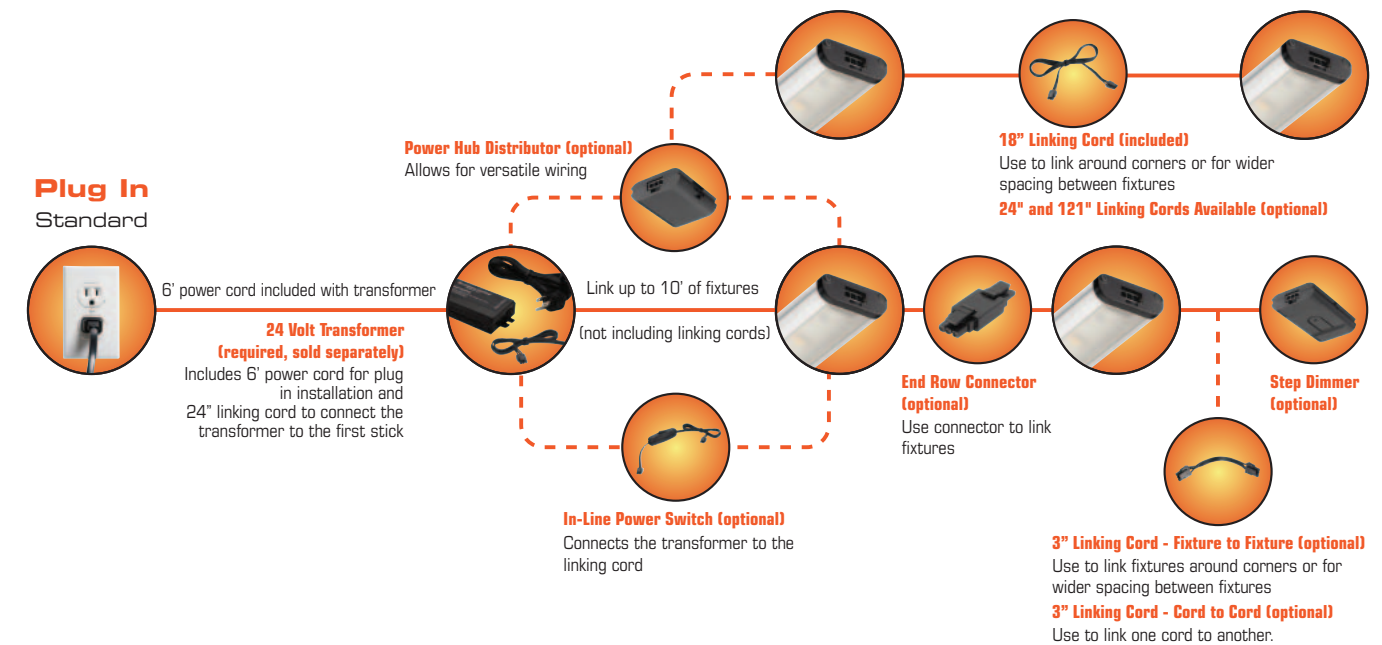
Top View



Side View

The easy to install LED Rayzer is ideal for under and over cabinet lighting, display lighting, task lighting, office lighting and utility areas.

The diagram below shows a typical installation and how to use the linkable accessories.



Undercabinets

T5 Lamps



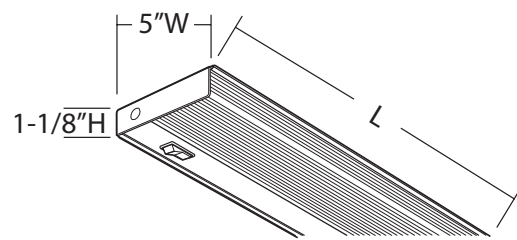
FEATURES

- Ideal for use in school, display or residential applications
- Trim, low-profile design
- Snap-fit, shatter-resistant, milk-white acrylic diffuser
- Rocker switch is standard
- Separate, hingeable service tray for easy installation and maintenance
- FCC Part 18 for Residential Applications

ORDERING INFORMATION

Catalog Number	UPC	Description	# of Lamps	Length	Wattage	Voltage	Ballast Type	ENERGY STAR® Qualified	Lamp Included	Pallet Qty.	Standard Carton Qty.
UC 12E 120 SWR M6	784231123317	12" Fluorescent Undercabinet	1	12"	8	120	Residential Electronic	Y	N	504	6
UC 21E 120 SWR M6	784231123324	21" Fluorescent Undercabinet	1	21"	13	120	Residential Electronic	Y	N	336	6
UC 24E 120 SWR M6	784231123331	24" Fluorescent Undercabinet	2	24"	8	120	Residential Electronic	Y	N	336	6
UC 33E 120 SWR M6	784231123348	33" Fluorescent Undercabinet	2	33"	1-8W & 1-13W	120	Residential Electronic	Y	N	168	6
UC 42E 120 SWR M6	784231123355	42" Fluorescent Undercabinet	2	42"	13	120	Residential Electronic	Y	N	168	6

DIMENSIONS



Length: 12", 21", 24", 33" or 42"

Certain airborne contaminants can diminish integrity of acrylic. See pg.156 for Acrylic Compatibility table for suitable uses.

Undercabinets

T8 Lamps



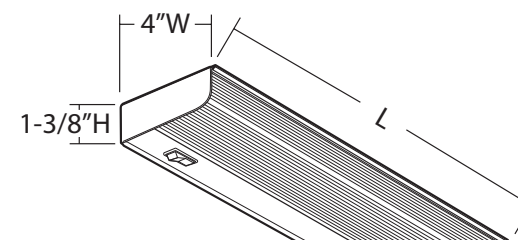
FEATURES

- Ideal for use in school, display or residential applications
- Trim, low-profile design
- Snap-fit, shatter-resistant, milk-white acrylic diffuser
- Rocker switch is standard
- Separate, hingeable service tray for easy installation and maintenance
- FCC Part 18 for Residential Applications

ORDERING INFORMATION

Catalog Number	UPC	Description	# of Lamps	Length	Wattage	Voltage	Ballast Type	ENERGY STAR® Qualified	Lamp Included	Pallet Qty.	Standard Carton Qty.
UC8 15 120 SWR M6	784231183656	18" Fluorescent Undercabinet	1	18"	15	120	Residential Electronic	Y	N	336	6
UC8 17 120 SWR M6	784231183663	24" Fluorescent Undercabinet	1	24"	17	120	Residential Electronic	Y	N	324	6
UC8 25 120 SWR M6	784231183670	36" Fluorescent Undercabinet	1	36"	25	120	Residential Electronic	Y	N	168	6
UC8 32 120 SWR M6	784231183687	48" Fluorescent Undercabinet	1	48"	32	120	Residential Electronic	Y	N	144	6

DIMENSIONS



Length: 18", 24", 36" or 48"

Certain airborne contaminants can diminish integrity of acrylic. See pg.156 for Acrylic Compatibility table for suitable uses.

INDUSTRIAL



Industrial Strips

Wet Location
Industrial

LED High Bays

Fluorescent High
Bays

HID High Bays

HID Low Bays

Industrial Strips



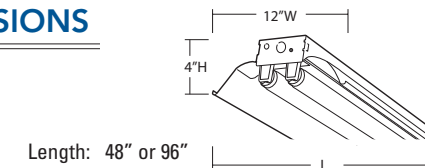
FEATURES

- Sturdy construction suitable for applications such as retail, light industrial and warehouses
- Die-formed from Code-gauge steel with white enamel finish and 12" wide solid top reflector
- No tool assembly required for reflector assembly
- End plate used for continuous row installation applications
- Ideal for heights up to 16', surface or suspended mounting

ORDERING INFORMATION

Catalog Number	UPC	Description	# of Lamps	Length	Wattage	Voltage	Ballast Type	Lamp Included	Pallet Qty.	Carton Qty.	Standard Qty.
L 2 32 MVOLT GEB10IS	784231159255	T8 Industrial, Solid Top	2	48"	32	120 - 277	NEMA Premium®, Instant Start	N	51	1	1
L 2 96T8 MVOLT GEB10IS	784231176252	T8 Industrial, Solid Top	2	96"	59	120 - 277	Electronic, Rapid Start	N	51	1	1
TL 2 32 MVOLT 1/4 GEB10IS	784231159378	Tandem, T8 Industrial, Solid Top	4	96"	32	120 - 277	NEMA Premium®, Instant Start	N	51	1	1
LA 2 32 MVOLT GEB10IS	784231176153	T8 Industrial, Apertured Reflector	2	48"	32	120 - 277	NEMA Premium®, Instant Start	N	51	1	1
TLA 2 32 MVOLT 1/4 GEB10IS	784231176221	Tandem, T8 Industrial, Apertured Reflector	4	96"	32	120 - 277	NEMA Premium®, Instant Start	N	51	1	1

DIMENSIONS



ACCESSORIES

- WGL 48" Base Wireguard, White (order 2 for 8')
- SQ24 M10 Swivel Stem Hanger
- HC36 M12 36" Wire Hook and Chain
- THC J2 Tong Hanger for Rod Mounting

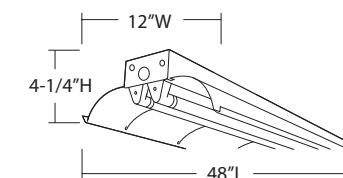
FEATURES

- Rugged, heavy-duty industrial strip ideal for mounting heights up to 20', surface or suspended
- Die-formed from Code-gauge steel with white enamel finish and 12" wide solid top reflector
- No tool assembly required for reflector assembly
- Heavy-duty aligner included for unit or row installation
- Features a NEMA Premium Ballast

ORDERING INFORMATION

Catalog Number	UPC	Description	# of Lamps	Length	Wattage	Voltage	Ballast Type	Lamp Included	Pallet Qty.	Carton Qty.	Standard Qty.
EJS 2 32 MVOLT GEB10IS	745980497548	T8 Heavy-duty Industrial	2	48"	32	120 - 277	Electronic, Rapid Start	N	51	1	1

DIMENSIONS



ACCESSORIES

- WGL 48" Base Wireguard, White
- SQ24 M10 Swivel Stem Hanger
- HC36 M12 36" Wire Hook and Chain
- THC J2 Tong Hanger for Rod Mounting

DMW



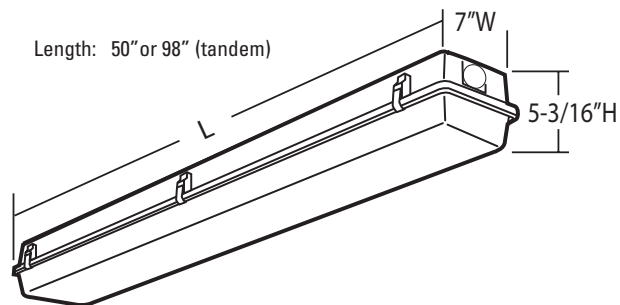
FEATURES

- For harsh environments where dust, dirt, humidity or moisture is present
- Suitable for surface or suspended mounting, unit or row installation; horizontal wall mount only
- Impact-resistant, reinforced polyester fiberglass housing
- Features shatter-resistant 50% DR acrylic diffuser as standard
- Poured-in gasketing provides a continuous seal between housing and diffuser
- Captive, corrosion-resistant, cam-action latches secure the diffuser; 2 stainless steel mounting brackets included
- UL Listed for wet location, NSF Listed and IP65 rated

ORDERING INFORMATION

Catalog Number	UPC	Description	# of Lamps	Wattage	Voltage	Lamp Included	Pallet Qty.	Standard Carton Qty.
DMW 2 32 MVOLT GEB10IS	784231151099	Enclosed Industrial	2	32	120-277	N	41	1
DMW 2 48T8HO MVOLT GEB10PS	745977218644	Enclosed Industrial	2	48	120-277	N	41	1
DMW 2 54T5HO MVOLT GEB10PS90	745975221059	Enclosed Industrial	2	54	120-277	N	41	1
DMW 2 96T8 MVOLT GEB10IS	784231003930	Enclosed Industrial	2	59	120-277	N	28	1
DMW 2 96HO 120 ES CW20	784231016510	Enclosed Industrial	2	110	120	N	28	1
DMW 2 96T8HO MVOLT GEB10PS	745974494409	Enclosed Industrial	2	86	120-277	N	28	1
TDMW 2 32 MVOLT 1/4 GEB10IS	784231003916	Tandem, Enclosed Industrial	4	32	120-277	N	28	1

DIMENSIONS



ACCESSORIES

- **DDM48** 4' Enclosed Fixture Replacement Lens (Unit Packed)
- **DDM96** 8' Enclosed Fixture Replacement Lens (Unit Packed)
- **DDM48 J5** 4' Enclosed Fixture Replacement Lens (Job Packed with Qty 5)
- **DDM96 J5** 8' Enclosed Fixture Replacement Lens (Job Packed with Qty 5)
- **DMW/EGW Latch J6** 4' Enclosed Fixture Replacement Latch (Job Packed with Qty 6)
- **DMW/EGW Latch J10** 8' Enclosed Fixture Replacement Latch (Job Packed with Qty 10)

Certain airborne contaminants can diminish integrity of acrylic. See pg.156 for Acrylic Compatibility table for suitable uses.

FEATURES

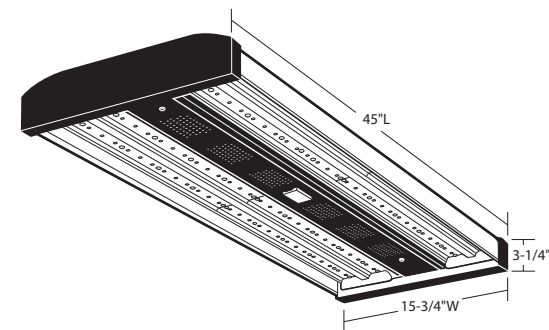
- Ideal replacement for 400W MH, 6-lamp T5HO or 8-lamp T8
- Mounting heights ranging from 15-40'
- Die-formed aluminum alloy chassis with integrated fins for superior cooling
- Reflectors feature precision-formed optics utilizing reflective Alanod® MIRO-5 specular-aluminum
- Listed for ambient environments up to 131°F (55°C)

ORDERING INFORMATION

Catalog Number	UPC	Description	Lumens*	Color Temperature*	Voltage	Distribution	Pallet Qty.	Standard Carton Qty.
IBL 18L WD LP740 DLC	753573372264	LED High Bay	18,000	4000K	120-277	Wide	36	1
IBL 24L WD LP740 DLC	753573361398	LED High Bay	24,000	4000K	120-277	Wide	36	1

* Numbers listed are nominal.

DIMENSIONS



ACCESSORIES

- **WGIBL** Wireguard

IBL



I-BEAM® Fluorescent High Bay Lighting

T5 Lamps



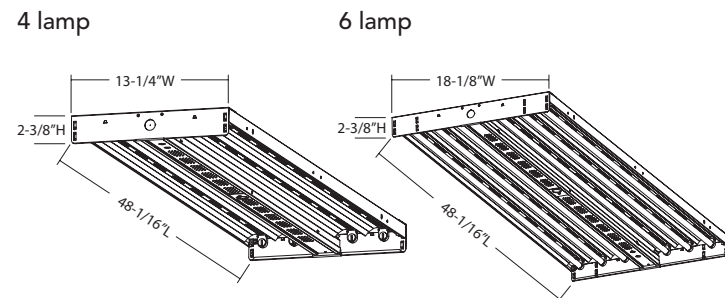
FEATURES

- Factory- or field-installable components available to satisfy almost any requirement
- Patent-pending T5HO Cool Running Plus™ Technology allows for elevated ambient operation up to 155°F (68°C)
- Independent lamp operation with industry-best 5-year ballast warranty
- Lamped T5HO fixtures come standard with 54W/841 lamps
- Superior thermal management ensures both optimal lamp performance and ballast reliability
- Ballast disconnect standard

ORDERING INFORMATION

Catalog Number	UPC	Description	# of Lamps	Wattage	Voltage	Distribution	Uplight	Ballast Type	Lamp Included	Motion Sensor Included	Pallet Qty.	Standard Carton Qty.
IBZ 454	745973228678	T5 Fluorescent High Bay	4	54	120 - 277	Narrow	Y	Electronic, Program Rapid Start	N	N	51	1
IBZ 454L	745977279430	T5 Fluorescent High Bay	4	54	120 - 277	Narrow	Y	Electronic, Program Rapid Start	Y	N	51	1
IBZ 654	745972812823	T5 Fluorescent High Bay	6	54	120 - 277	Narrow	Y	Electronic, Program Rapid Start	N	N	36	1
IBZ 654L	745972742885	T5 Fluorescent High Bay	6	54	120 - 277	Narrow	Y	Electronic, Program Rapid Start	Y	N	36	1
IBZ 654L WD	745977279096	T5 Fluorescent High Bay	6	54	120 - 277	Wide	Y	Electronic, Program Rapid Start	Y	N	36	1

DIMENSIONS



ACCESSORIES (Must be ordered separately)

- **SFR 5** 360° Snap-Fit High Bay Sensor (Not for use with door and lens)
- **WGIBZ14** Wireguard for 4-Lamp Fixture (Unit Packed)
- **WGIBZ19** Wireguard for 6-Lamp Fixture (Unit Packed)
- **WGIBZ14 J10** Wireguard for 4-lamp fixture (Job Packed with Qty 10)
- **WGIBZ19 J10** Wireguard for 6-lamp fixture (Job Packed with Qty 10)
- **DLIBZ14 ACL** Door Frame Kit with .125" Acrylic Lens for 4-lamp fixture
- **DLIBZ19 ACL** Door Frame Kit with .125" Acrylic Lens for 6-lamp fixture
- **IBZPMP** Single-Point Mounting Bracket for 3/4" Conduit
- **IBAC120 M20** Adjustable 10' Aircraft Cable with Carabiner Hooks
- **IBAC240 M20** Adjustable 20' Aircraft Cable with Carabiner Hooks
- **HBBS36 M50** Chain Hanger, 36" (One Pair)

I-BEAM® Fluorescent High Bay Lighting

T8 Lamps



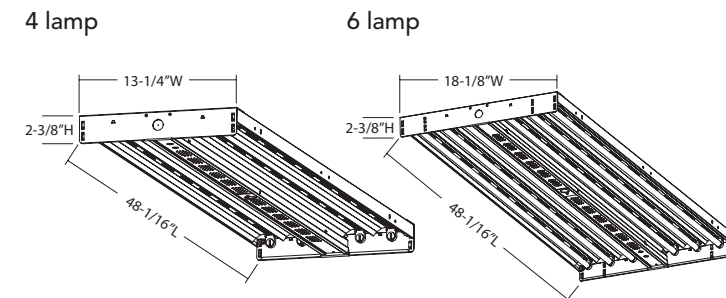
FEATURES

- Factory- or field-installable components available to satisfy almost any requirement
- Multiple lamp configurations available for varying needs and/or applications
- Superior thermal management ensures both optimal lamp performance and ballast reliability
- Ballast disconnect standard

ORDERING INFORMATION

Catalog Number	UPC	Description	# of Lamps	Wattage	Voltage	Distribution	Uplight	Ballast Type	Lamp Included	Motion Sensor Included	Pallet Qty.	Standard Carton Qty.
IBZ 432 WD	745972730608	T8 Fluorescent High Bay	4	32	120-277	Wide	Y	Electronic, Instant Start	N	N	51	1
IBZ 632	745975977390	T8 Fluorescent High Bay	6	32	120-277	Narrow	Y	Electronic, Instant Start	N	N	36	1
IBZ 632L	745976255480	T8 Fluorescent High Bay	6	32	120-277	Narrow	Y	Electronic, Instant Start	Y	N	36	1
IBZ 632 WD	745977279874	T8 Fluorescent High Bay	6	32	120-277	Wide	Y	Electronic, Instant Start	N	N	36	1

DIMENSIONS



ACCESSORIES (Must be ordered separately)

- **SFR 5** 360° Snap-Fit High Bay Sensor (Not for use with door and lens)
- **WGIBZ14** Wireguard for 4-Lamp Fixture (Unit Packed)
- **WGIBZ19** Wireguard for 6-Lamp Fixture (Unit Packed)
- **WGIBZ14 J10** Wireguard for 4-lamp fixture (Job Packed with Qty 10)
- **WGIBZ19 J10** Wireguard for 6-lamp fixture (Job Packed with Qty 10)
- **DLIBZ14 ACL** Door Frame Kit with .125" Acrylic Lens for 4-lamp fixture
- **DLIBZ19 ACL** Door Frame Kit with .125" Acrylic Lens for 6-lamp fixture
- **IBZPMP** Single-Point Mounting Bracket for 3/4" Conduit
- **IBAC120 M20** Adjustable 10' Aircraft Cable with Carabiner Hooks
- **IBAC240 M20** Adjustable 20' Aircraft Cable with Carabiner Hooks
- **HBBS36 M50** Chain Hanger, 36" (One Pair)

HID High Bays

TH



FEATURES

- For mounting heights above 20'
- Modular ballast housing for high bay optics
- Pre-attached adjustable legs accept a wide selection of anodized aluminum and prismatic acrylic high bay reflectors
- Systems are designed to provide minimum brightness and glare
- Vertically oriented mogul base PROTECTED EXCLUSIONARY base "PINK" socket
- EISA compliant

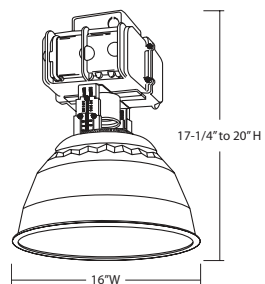


ORDERING INFORMATION

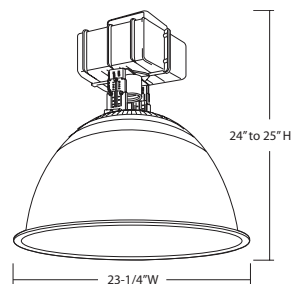
Catalog Number	UPC	Description	Wattage	Lamp Source	Voltage	Reflector Size	Lamp Included	Pallet Qty.	Standard Carton Qty.
TH 400MP TB SCWA HSG	745975184613	Ballast Housing	400	MH	120/208/240/277	—	N	80	1
TH 400S TB HSG	784231080474	Ballast Housing	400	HPS	120/208/240/277	—	N	80	1
A16 U	784231031506	16" Optical	—	—	—	16	N	24	1
A22 U	784231031544	22" Optical	—	—	—	22	N	12	1

DIMENSIONS

TH A16



TH A22



ACCESSORIES

- **HKM U** Fixture Hook Male (Unit Packed)
- **HKM J12** Fixture Hook Male (Job Packed with Qty 12)
- **MP400BU PSL U** 400W Replacement Lamp (Unit Packed)
- **MP400BU PSL J6** 400W Replacement Lamps (Job Packed with Qty 6)

HID Low Bays

TX/TXD



FEATURES

- For areas that require vertical illumination and glare control at low mounting heights
- Modular ballast housing for enclosed low bay optics
- Accepts various heavy-duty aluminum and prismatic acrylic low bay optical assemblies
- Opticals are equipped with a heat-resistant, dust-inhibiting gasket at the point of attachment
- Sold individually and in distributor packs
- Vertically oriented mogul base PROTECTED EXCLUSIONARY base "PINK" socket
- EISA compliant (320M also meets Title 20 regulations)

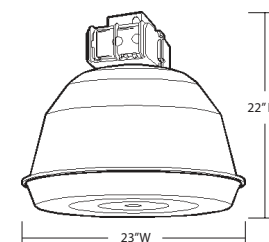


ORDERING INFORMATION

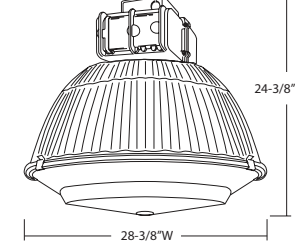
Catalog Number	UPC	Description	Wattage	Lamp Source	Voltage	Reflector Size	Lamp Included	Pallet Qty.	Standard Carton Qty.
TX 250MP TB SCWA HSG	745975184798	Ballast Housing	250	MH	120/208/240/277	—	N	80	1
TX 400MP TB SCWA HSG	745975200979	Ballast Housing	400	MH	120/208/240/277	—	N	80	1
TXD 320MP A23 TB SCWA LPI	745975732784	Enclosed Aluminum Distributor Pack	320	MH	120/208/240/277	23	Y	8	1
TXD 400MP A23 TB SCWA LPI	745975184903	Enclosed Aluminum Distributor Pack	400	MH	120/208/240/277	23	Y	8	1
A23 U	784231081761	23" Aluminum Optical with Acrylic Drop Lens	—	—	—	23	N	8	1
A26 U	784231079744	26" Aluminum Optical with Acrylic Drop Lens	—	—	—	26	N	6	1
AR23 U	784231062241	23" Acrylic Lens Only	—	—	—	23	N	16	1
AR23 J4	784231036785	23" Acrylic Lens Only (Job Pack 4)	—	—	—	23	N	24	4
A23LD J4	784231081778	23" Aluminum Optical (No Lens)	—	—	—	23	N	32	4
AR26 U	784231080917	26" Acrylic Lens Only	—	—	—	26	N	18	1
AR26 J4	784231080832	26" Acrylic Lens Only (Job Pack 4)	—	—	—	26	N	32	4
PA22 U	784231032299	22" Acrylic Refractor	—	—	—	22	N	8	1
PA22 J4	784231032398	22" Acrylic Refractor (Job Pack 4)	—	—	—	22	N	32	4
PA22C	784231032299	22" Acrylic Refractor with Conical Lens	—	—	—	22	N	12	1

DIMENSIONS

TX A23
TXD A23



TX A26



ACCESSORIES

- **HKM U** Fixture Hook Male (Unit Packed)
- **HKM J12** Fixture Hook Male (Job Packed with Qty 12)
- **MP250BU PSL U** 200W Replacement Lamp (Unit Packed)
- **MP400BU PSL U** 400W Replacement Lamp (Unit Packed)
- **MP400BU PSL J6** 400W Replacement Lamps (Job Packed with Qty 6)

Certain airborne contaminants can diminish integrity of acrylic. See pg.156 for Acrylic Compatibility table for suitable uses.

DOWNLIGHTING



LED Residential
Housings &
Modules

LED Commercial
Frame-ins &
Modules

RESIDENTIAL
6" Housings & Trims

COMMERCIAL
6" & 8" Vertical
Frame-in & Reflectors

6" & 8" Horizontal
Frame-in & Reflectors

LED RECESSED MODULES

Lithonia Lighting offers an innovative portfolio of integrated LED downlighting solutions.

L SERIES LED MODULES



The economical L Series is an attractive, energy-efficient LED lighting solution for residential and light commercial applications. L Series modules are 80% more energy efficient than incandescent lamps - leading payback that can be realized in as quickly as one year. L Series is available in 4", 5" and 6" apertures.

Best used for general purpose lighting in large areas with tall ceilings or for task lighting in areas with normal ceiling heights (kitchen sinks, work areas) in cost-sensitive applications. L Series works like a PAR lamp.

REALITY™ LED MODULES



The highly efficient REALITY LED Module provides choices – multiple color temperatures, photometric distributions, trim finishes and lumen outputs. It delivers 86% energy savings over a 65W BR30 in a residential setting.

Best used when flexibility in color temperature, trim options, and beam spreads is needed for general and task applications. It can be used to replace BR or PAR lamps. REALITY is perfect for high-end residential and light commercial settings.

REALITY™ LED COMMERCIAL



REALITY Commercial is designed specifically to meet the physical and visual demands of commercial applications. Rugged construction, high performance optics and outstanding light quality are just a few of its highlights. Energy efficiency is the hallmark of the new improved Reality Commercial line with industry leading efficacy of 85 lumens per watt from the 3500K 1500 Lumen product.

Best used when flexibility in color temperatures, trim options, beam spreads, lumen packages, and good dimming control is needed for general and task applications. Reality Commercial is perfect for light commercial and commercial settings.



LED Residential Housings



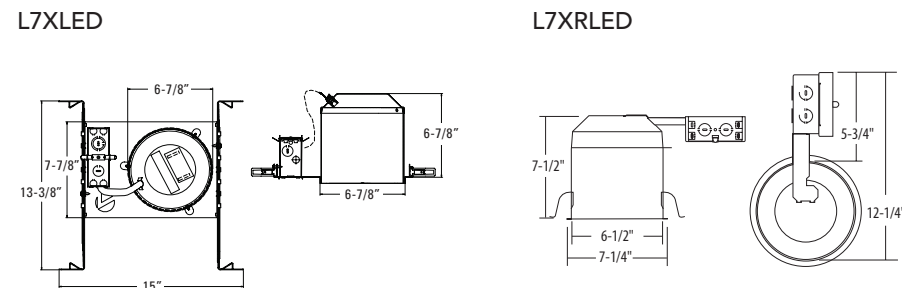
FEATURES

- Recessed housing rated IC or Non-IC; for 2x8 new construction only
- New construction can has galvanized bar hangers span up to 24" and feature built in nailer and integral T-bar clips and two locking screws to hold fixture in position
- Remodel aluminum housing with three remodel clips for installation in existing plaster, sheet rock or mechanical ceilings; heavy-gauge galvanized steel raceway arm
- LED housing has quick disconnect provided for connection of Reality and L Series
- Air-tight standard and suitable for ceilings up to 1½" thick
- Wet location listed; Title 24 Compliant

ORDERING INFORMATION

Catalog Number	UPC	Description	Pallet Qty.	Standard Carton Qty.
L7XLED T24 U	745977951916	6" New Construction, LED	54	1
L7XRLED T24 U	745977951923	6" Remodel, LED	96	1

DIMENSIONS



LED Residential Modules



FEATURES

- L-Series modules are an ideal replacement for 50-65W incandescent; Reality modules are ideal for 75-100W incandescent
- LED module for use in retrofit/remodel or new construction applications where energy savings, long-life, and functional delivered light levels are required
- Provides 80% energy savings over incandescent and replicates the beam pattern and light levels of PAR and BR lamps
- Reality and L-Series are Energy-Star approved; Reality is wet location listed; dimming standard on both
- CSA listed to US and Canadian safety standards as a retrofit module for any can with minimum 6-1/8" inside diameter and 7-1/32" inside height

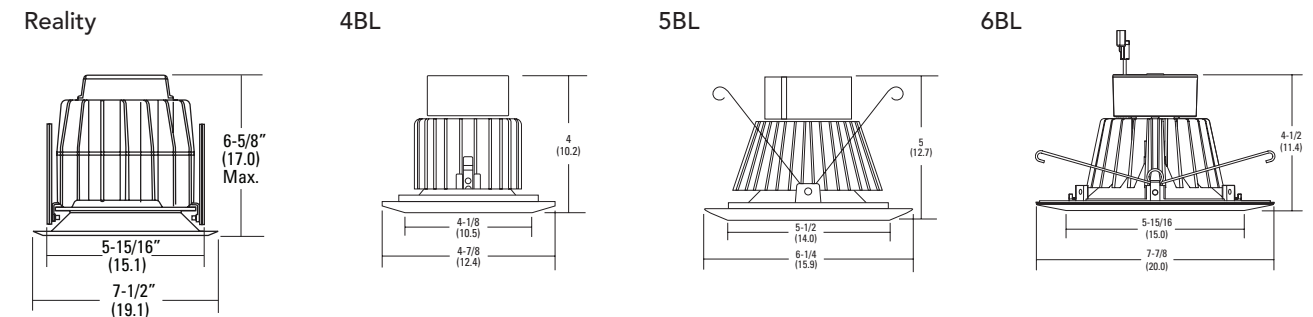
ORDERING INFORMATION

Catalog Number	UPC	Description	Lumens**	Color Temperature**	Energy Star Listed	Color	Retention Method	Standard Pallet Qty.	Standard Carton Qty.
REAL6 D6MW 1000L 30K .60SC ESL U	753573505969	6" Reality Module, Energy Star	1000	3000K	Y	Matte White	Torsion Springs	100	1
REAL6 D6MW 600L 30K .60SC ESL U	753573505853	6" Reality Module, Energy Star	600	3000K	Y	Matte White	Torsion Springs	100	1
4BLMW LED M6	784231966495	4" L-Series Module, Energy Star*	400	3000K	Y	Matte White	Clips	144	6
5BLMW LED M6	784231966556	5" L-Series Module, Energy Star*	600	3000K	Y	Matte White	Torsion Springs	144	6
6BLMW LED M6	753573062059	6" L-Series Module, Energy Star*	620	3000K	Y	Matte White	Torsion Springs	144	6

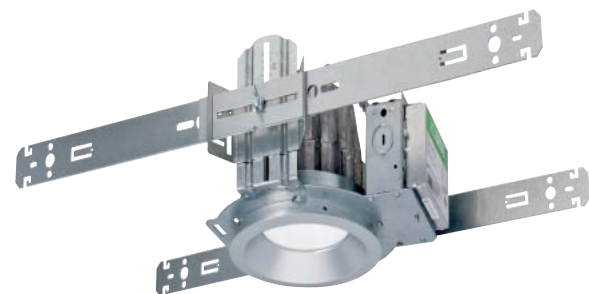
*L-Series Modules are also compatible with standard L3, L3R, L5, L5R, L7X and L7XR housings.

** Numbers listed are nominal.

DIMENSIONS



6" LED Commercial Frame-ins



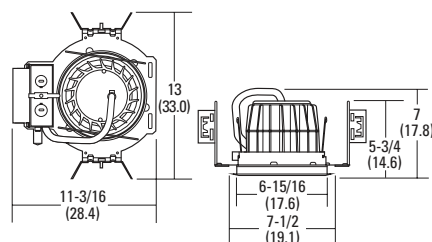
FEATURES

- Features new construction frame, ideal for suspended ceilings
- High efficacy LED light engine delivers up to 85 lumens per watt
- Energy Star rated
- 0-10 V dimming standard
- Driver mounted on frame
- Module and frame together make a complete unit

ORDERING INFORMATION

Catalog Number	UPC	Description	Pallet Qty.	Standard Carton Qty.
LP6LN 1500L 120 U	753573482796	6" New Construction, 1,500 Lumens 120v, LED	63	1
LP6LN 1500L 277 U	753573523550	6" New Construction, 1,500 Lumens 277v, LED	63	1

DIMENSIONS



6" LED Commercial Modules

REALITY



FEATURES

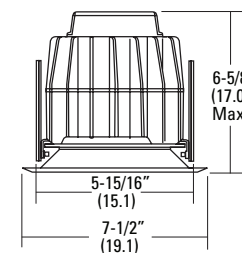
- 1,000 lumen is an ideal replacement for 26W 1-lamp INC or 13W 2-lamp CFL; 1,500 lumen is an ideal replacement for 35W 1-lamp INC or 26W 2-lamp CFL
- High efficacy LED light engine delivers up to 85 lumens per watt
- Available in clear diffuse aluminum or matte white trim finish
- Available in 1,000 or 1,500 delivered lumens
- Energy Star rated
- 3500K Correlated Color Temperature
- Module and frame together make a complete unit

ORDERING INFORMATION

Catalog Number	UPC	Description	Lumens*	Color Temperature*	Energy Star Listed	Color	Retention Method	Standard Pallet Qty.	Standard Carton Qty.
REAL6C D6A 1000L 35K .65SC ESL U	753573495956	6" Energy Star Commercial Downlight	1,000	3500K	Y	Clear Diffuse	Torsion Springs	100	1
REAL6C D6A 1500L 35K .65SC ESL U	753573562726	6" Energy Star Commercial Downlight	1,500	3500K	Y	Clear Diffuse	Torsion Springs	100	1
REAL6C D6MW 1000L 35K .65SC ESL U	753573492979	6" Energy Star Commercial Downlight	1,000	3500K	Y	Matte White	Torsion Springs	100	1
REAL6C D6MW 1500L 35K .65SC ESL U	753573512097	6" Energy Star Commercial Downlight	1,500	3500K	Y	Matte White	Torsion Springs	100	1

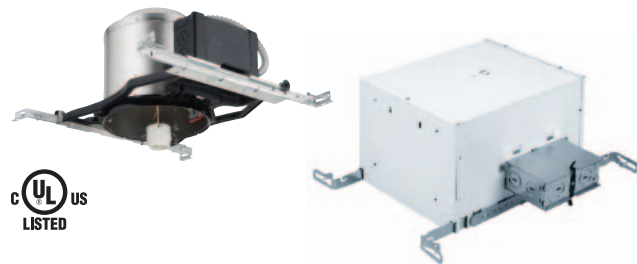
* Numbers listed are nominal.

DIMENSIONS



6" Residential Housings

New Construction (2x8) LC6/LI6



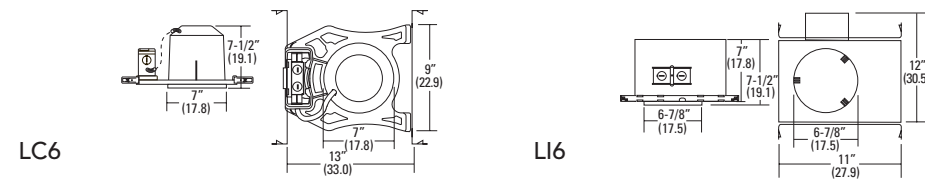
FEATURES

- Recessed housing rated IC/Non-IC for 2x8 new construction or remodel applications
- Injection-molded frame with aluminum can provides superior thermal performance for a wider range of trims
- Galvanized bar hangers span up to 24" and feature stepped shank nail and positioning guide with integral T-bar locks
- Two locking screws hold fixture in position
- Air-tight standard and suitable for ceilings up to 1½" thick

ORDERING INFORMATION (Must be ordered in multiples of standard carton quantity.)

Catalog Number	UPC	Description	Pallet Qty.	Standard Carton Qty.
LC6 R6	784231051146	6" New Construction	120	6
LI6	784231067567	6" New Construction, Incandescent	45	1

DIMENSIONS



Shallow Construction (2x6) LCP



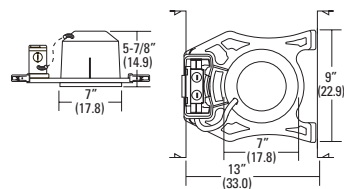
FEATURES

- Recessed incandescent housing rated IC/Non-IC for 2x6 new construction or remodel applications
- Injection-molded frame with aluminum can provides superior thermal performance for a wider range of trims
- Galvanized bar hangers span up to 24" and feature stepped shank nail and positioning guide with integral T-bar locks
- Pre-assembled poke-home connectors for ease of wiring
- Air-tight standard and suitable for ceilings up to 1½" thick

ORDERING INFORMATION (Must be ordered in multiples of standard carton quantity.)

Catalog Number	UPC	Description	Pallet Qty.	Standard Carton Qty.
LCP R6	784231051108	6" Shallow, New Construction	144	6

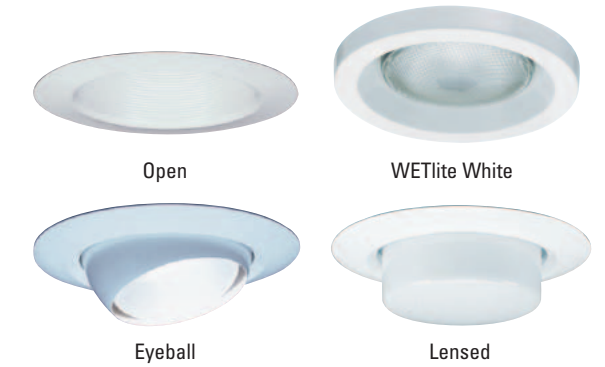
DIMENSIONS



6" Residential Trims

FEATURES

- IC/NON-IC rated trims
- Baffle, eyeball and open trims are damp location listed
- Lensed and WETlite™ trims are wet location listed
- Bulk packed
- Trim retention (clips): Retaining clips riveted to top of reflector hold trim inside housing
- Trim retention (TOR): Two-side mounted torsion springs on the trim and 2 receiving brackets in the can ensure a consistently tight fit with the ceiling



WETlite Brushed Nickel



ORDERING INFORMATION

Catalog Number	UPC	Description	Type	Color	Flange Width	Retention Method	Pallet Qty.	Standard Carton Qty.
701 TOR R12	745975232161	6" Trim	Open	White	Wide	Torsion Springs	480	12
7B1W TOR R24	784231109984	6" Trim	Baffle	White	Wide	Torsion Springs	1440	24
CO1 R6	745973753095	6" Trim	Open	White	Wide	Clips	456	6
CB1W R6	745973753309	6" Trim	Baffle	White	Wide	Clips	450	6
CE1 R6	745973753347	6" Trim	Eyeball	White	Wide	Clips	144	6
CLF1 R6	745973753354	6" Trim	Lensed	White	Wide	Clips	216	6
6H20 TOR R6	745975375448	6" Trim	WETlite	White	Wide	Torsion Springs	180	6
6H20 ORB TOR R6	745975375417	6" Trim	WETlite	Oil-Rubbed Bronze	Stepped	Torsion Springs	144	6
6H20BN TOR R6	745975375516	6" Trim	WETlite	Brushed Nickel	Stepped	Torsion Springs	30	6
6SB1W	784231051900	6" Trim	Baffle	White	Narrow	Clips	150	1
6SO1	784231051931	6" Trim	Open	White	Narrow	Clips	150	1

DIMENSIONS

	701	7B1W	CO1	CB1W	CE1	CLF1	6H20*	6SB1W	6SO1
Max Lamp Wattages	IC 65 BR30; 75 PAR30	65 BR30; 75 PAR30	65 BR30; 75 PAR30	65 BR30; 75 PAR30	65 BR30; 75 PAR30	40 A19	75 PAR30; 75 PAR38	NON-IC 65 BR30; 75 PAR30; 90 BR40; 100 PAR38	65 BR30; 75 PAR30; 90 BR40; 100 PAR38

*Only available for 2x8 new construction (LC6)

6" & 8" Commercial Vertical Frame-in

LP6FN/LP6N/LP8FN/LP8N



FEATURES

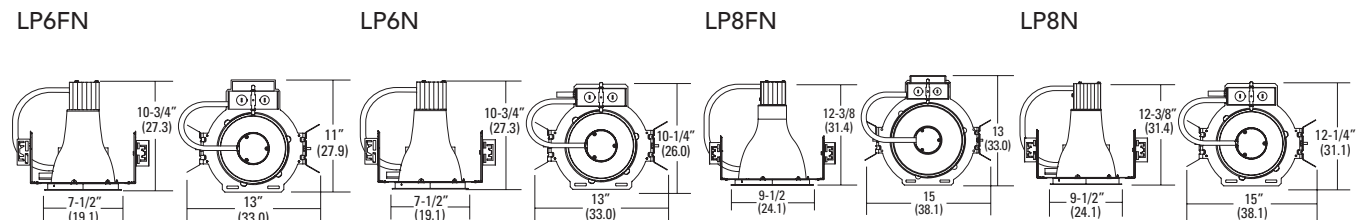
- Fixtures are UL Listed for through-branch wiring, NON-IC recessed mounting and damp location
- Heavy-gauge, die-formed galvanized steel mounting frame with high-friction retention clips secure optical system
- Utilizes an extruded socket housing that attaches to the reflector via key hole mount, which provides superior heat dissipation and extended lamp life
- Vertically adjustable mounting brackets for use with 16-gauge flat barhangers (included), C channels or 1/2" steel conduit
- Maximum ceiling thickness of 1 1/2"



ORDERING INFORMATION

Catalog Number	UPC	Description	Lamp Type	Wattage	Voltage	Pallet Qty.	Standard Carton Qty.
LP6FN 26-42TRT MVOLT	745975571246	6" Vertical Frame-in	Compact Fluorescent	26, 32, 42	120-277	63	1
LP6N U	745975581733	6" Vertical Frame-in	Incandescent	See Trims (p.107)	120	63	1
LP8FN 26-42TRT MVOLT	745975579792	8" Vertical Frame-in	Compact Fluorescent	26, 32, 42	120-277	63	1
LP8N	745975580040	8" Vertical Frame-in	Incandescent	See Trims (p.107)	120	63	1

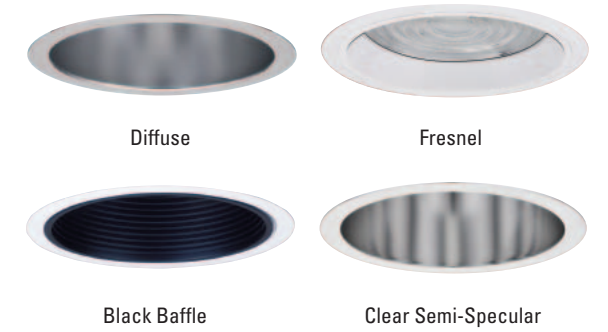
DIMENSIONS



6" & 8" Commercial Vertical Reflectors

FEATURES

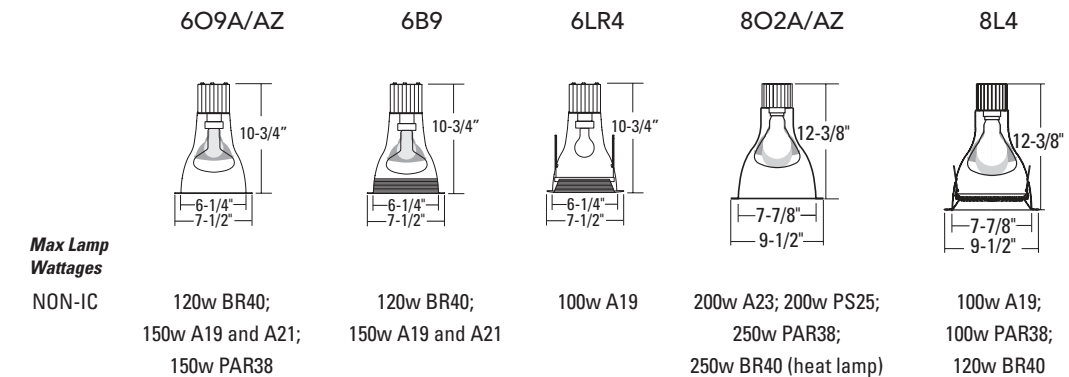
- Aluminum full reflectors are optically designed to maximize lumen output and provide superior glare control
- Damp location listed and lens reflectors are wet location listed
- Black baffled reflectors have an anodized upper finish with white painted flange standard
- Glass lenses are available in a fresnel glass lens
- Glass lens provide optimal visual comfort and improved aesthetics



ORDERING INFORMATION

Catalog Number	UPC	Description	Pallet Qty.	Standard Carton Qty.
609A	745975550036	Vertical, Clear Diffuse, 6" Reflector	150	1
609AZ	745975550104	Vertical, Clear Semi-Specular, 6" Reflector	150	1
6B9	745975550425	Vertical, Black Baffle, 6" Reflector	144	1
6LR4	745975554249	Vertical, Fresnel, 6" Lens	150	1
802A	784231152928	Vertical, Clear Diffuse, 8" Reflector	80	1
802AZ U	784231152935	Vertical, Clear Semi-Specular, 8" Reflector	64	1
8L4	784231162569	Vertical, Fresnel, 8" Lens	64	1

DIMENSIONS



Max Lamp Wattages

	609A/AZ	6B9	6LR4	802A/AZ	8L4
NON-IC	120w BR40; 150w A19 and A21; 150w PAR38	120w BR40; 150w A19 and A21	100w A19	200w A23; 200w PS25; 250w PAR38; 250w BR40 (heat lamp)	100w A19; 100w PAR38; 120w BR40

6" & 8" Commercial Horizontal Frame-in

LF6N/LF8N



FEATURES

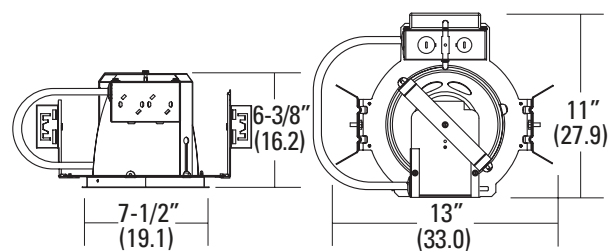
- Fixtures are UL Listed for through-branch wiring, NON-IC recessed mounting and damp location
- Galvanized steel mounting frame-in with mechanical trim retention (yoke) ensures secure flush reflector mounting to ceiling
- Aluminum full reflectors are optically designed to maximize lumen output and provide superior glare control
- Vertically adjustable mounting brackets for use with 16-gauge flat barhangers (included), C channels or 1/2" steel conduit
- Maximum ceiling thickness of 1 1/2"

ORDERING INFORMATION

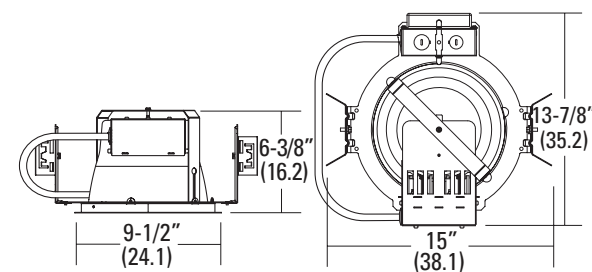
Catalog Number	UPC	Description	Lamp Type	Wattage	Voltage	Pallet Qty.	Standard Carton Qty.
LF6N 1/26-42TRT MVOLT	745975581900	6" Horizontal Frame-in	1- Compact Fluorescent	26, 32, 42	120-277	63	1
LF6N 2/18DTT MVOLT	745975581948	6" Horizontal Frame-in	2- Compact Fluorescent	18	120-277	63	1
LF6N 2/26DTT MVOLT	745975581917	6" Horizontal Frame-in	2- Compact Fluorescent	26	120-277	63	1
LF8N 1/26-42TRT MVOLT	745975580026	8" Horizontal Frame-in	1- Compact Fluorescent	26, 32, 42	120-277	63	1
LF8N 2/26-42TRT MVOLT	745975579983	8" Horizontal Frame-in	2- Compact Fluorescent	26, 32, 42	120-277	63	1
LF8N 2/26DTT MVOLT	745975580019	8" Horizontal Frame-in	2- Compact Fluorescent	26	120-277	63	1

DIMENSIONS

LF6N



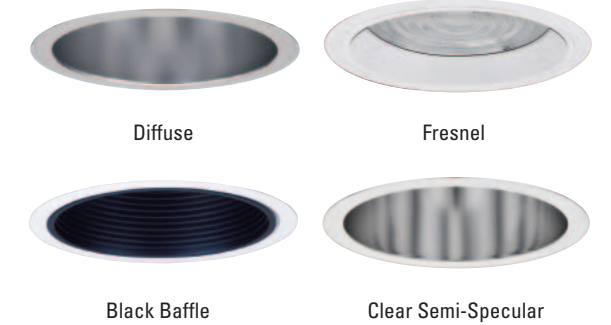
LF8N



6" & 8" Commercial Horizontal Reflectors

FEATURES

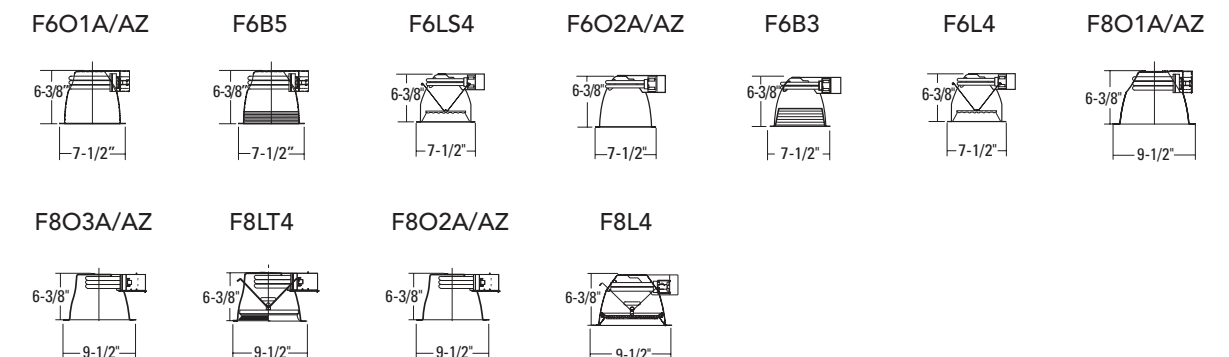
- Aluminum full reflectors are optically designed to maximize lumen output and provide superior glare control
- Damp location listed and lens reflectors are wet location listed
- Black baffled reflectors have an anodized upper finish with white painted flange standard
- Glass lenses are available in a fresnel glass lens
- Glass lens provide optimal visual comfort and improved aesthetics



ORDERING INFORMATION

Catalog Number	UPC	Description	Pallet Qty.	Standard Carton Qty.
F601A	745980396346	1-Lamp, Triple-Tube, Horizontal, Clear Diffuse, 6" Reflector	150	1
F601AZ	784231177594	1-Lamp, Triple-Tube, Horizontal, Clear Semi-Specular, 6" Reflector	180	1
F6B5	745976129910	1-Lamp, Triple-Tube, Horizontal, Black Baffle, 6" Reflector	150	1
F6LS4	745975190287	1-Lamp, Triple-Tube, Horizontal, Fresnel, 6" Lens	150	1
F602A	784231083802	2-Lamp, Double Twin-Tube, Horizontal, Clear Diffuse, 6" Reflector	180	1
F602AZ	784231142424	2-Lamp, Double Twin-Tube, Horizontal, Clear Semi-Specular, 6" Reflector	180	1
F6B3	784231080986	2-Lamp, Double Twin-Tube, Horizontal, Black Baffle, 6" Reflector	150	1
F6L4	784231103470	2-Lamp, Double Twin-Tube, Horizontal, Fresnel, 6" Lens	150	1
F801A	745980396421	1-Lamp, Triple-Tube, Horizontal, Clear Diffuse, 8" Reflector	100	1
F801AZ	784231177587	1-Lamp, Triple-Tube, Horizontal, Clear Semi-Specular, 8" Reflector	100	1
F803A	784231174159	2-Lamp, Triple-Tube, Horizontal, Clear Diffuse, 8" Reflector	100	1
F803AZ U	784231174166	2-Lamp, Triple-Tube, Horizontal, Clear Semi-Specular, 8" Reflector	100	1
F8LT4	745979828674	2-Lamp, Triple-Tube, Horizontal, Fresnel, 8" Lens	100	1
F802A	784231152584	2- Lamp, Double Twin-Tube, Horizontal, Clear Diffuse, 8" Reflector	100	1
F802AZ U	784231152591	2- Lamp, Double Twin-Tube, Horizontal, Clear Semi-Specular, 8" Reflector	100	1
F8L4	784231162620	2- Lamp, Double Twin-Tube, Horizontal, Fresnel, 8" Lens	100	1

DIMENSIONS



EMERGENCY



Emergency Exits

LED Emergency Combo & Units

Emergency Combo & Units

LED Remote Lamps

Remote Lamps

Battery Packs

Edge-Lit Die-Cast Exits

FEATURES

- Attractive edge-lit exit signage provides universal installation and low energy consumption
- Features extruded brushed aluminum finish lamp housing
- Expected LED life of up to 10 years
- Models include maintenance-free, sealed nickel cadmium battery that provides 90 minutes of emergency power



EDG/EDGR

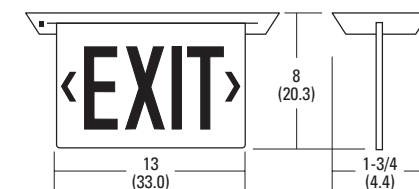
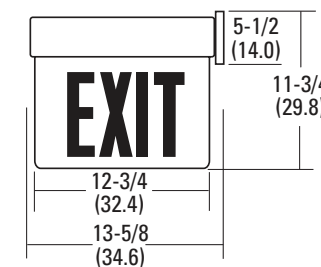
ORDERING INFORMATION

Catalog Number	UPC	Description	Supply Voltage	Input Watts	Battery Included	Pallet Qty.	Standard Carton Qty.
EDG 1 G EL M6	745974508281	Surface-Mount, Single-Sided, Green with Battery Backup	120/277	2.6/2.8	Y	144	6
EDG 1 R EL M6	745974508250	Surface-Mount, Single-Sided, Red with Battery Backup	120/277	3.0/3.1	Y	144	6
EDG 2 G EL M6	745974508465	Surface-Mount, 2-Sided, Green with Battery Backup	120/277	2.6/2.8	Y	144	6
EDG 2 R EL M6	745974508458	Surface-Mount, 2-Sided, Red with Battery Backup	120/277	3.0/3.1	Y	144	6
EDGR 1 G EL M4	745975265046	Recessed-Mount, Single-Sided, Green with Battery Backup	120/277	2.6/2.8	Y	64	4
EDGR 1 R EL M4	745975264971	Recessed-Mount, Single-Sided, Red with Battery Backup	120/277	3.0/3.1	Y	64	4

DIMENSIONS

EDG (End Mount)

EDGR



Architectural Die-Cast Emergency Lighting

Quantum® Emergency Exits

AFN



FEATURES

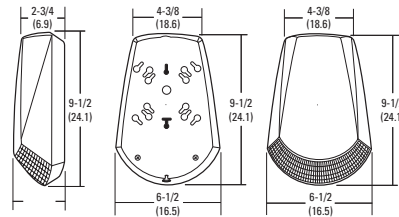
- Compact, low-profile, architectural design with die-cast aluminum housing
- Provides a minimum of 90 minutes illumination for the rated wattage upon loss of AC power
- Two 6W wedge-base xenon lamps offer 55% more light output than standard incandescent
- AFN DB EXT is wet location and cold weather listed

ORDERING INFORMATION

Catalog Number	UPC	Description	Supply Voltage	Input Watts	Battery Included	Finish	Pallet Qty.	Standard Carton Qty.
AFN DB EXT	745974403708	Architectural Emergency Lighting Unit	120/277	21/35*	Y	Dark Bronze	108	1
AFN W	745975255696	Architectural Emergency Lighting Unit	120/277	1.1/1.3	Y	White	108	1

*Total input wattage includes battery heater.

DIMENSIONS



LQC



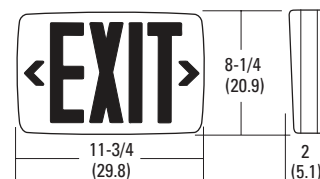
FEATURES

- Features die-cast aluminum construction and compact housing
- Clear lacquer finish on brushed face inhibits fingerprints and other surface contaminants
- Fully overlapping light seal prevents light leaks
- Expected LED life of up to 10 years
- Models include maintenance-free, sealed nickel cadmium battery that provides 90 minutes of emergency power
- Quantum Quick-Mount® Installation

ORDERING INFORMATION

Catalog Number	UPC	Description	Supply Voltage	Input Watts	Battery Included	Finish	Pallet Qty.	Standard Carton Qty.
LQC 1 G EL N	745972400655	Die-Cast, Single-Sided, Green with Battery Backup	120/277	1.0/1.2	Y	Die-Cast Aluminum	207	1
LQC 1 R EL N	745972400556	Die-Cast, Single-Sided, Red with Battery Backup	120/277	.6/7	Y	Die-Cast Aluminum	207	1

DIMENSIONS



FEATURES

- Precision-molded, white thermoplastic housing is impact and scratch-resistant, corrosion-proof and UV-stabilized to resist discoloration
- Innovative snap-together design allows installation in less than three minutes
- Expected LED life of up to 10 years
- Conveniently located test switch and status indicator provide visual and manual means of monitoring system operation for emergency models only
- Automatic recharge after battery discharge
- Emergency models include maintenance-free, sealed nickel cadmium battery that provides 90 minutes of emergency power
- Self-diagnostics option available

LQM



ORDERING INFORMATION

Catalog Number	UPC	Description	Supply Voltage	Input Watts	Battery Included	Pallet Qty.	Standard Carton Qty.
LQM S W 3 G 120/277 M6	784231011584	Thermoplastic, Green Exit	120/277	.62/.74	N	270	6
LQM S W 3 G 120/277 EL N M6	784231011614	Thermoplastic, Green with Battery Backup	120/277	.66/.70	Y	270	6
LQM S W 3 R 120/277 M6	784231011508	Thermoplastic, Red Exit	120/277	.62/.69	N	270	6
LQM S W 3 R 120/277 EL N M6	784231011553	Thermoplastic, Red with Battery Backup	120/277	.71/.92	Y	270	6
LQM S W 3 R 120/277 EL N SD M6	745974522164	Thermoplastic, Red with Battery Backup and Self-Diagnostics	120/277	.71/.92	Y	270	6

DIMENSIONS



ACCESSORIES

- ELA WG1 Wireguard, 15" Wide (back mount only)

LHQM LED



FEATURES

- Precision-molded, white thermoplastic housing is impact and scratch-resistant, corrosion-proof and UV-stabilized to resist discoloration
- Features two LED lamp heads with 12 parallel white LEDs in each; expected LED life of up to 10 years
- Fully assembled single-face exit with optional extra faceplate for easy field conversion to double face
- Sealed, maintenance-free nickel cadmium battery delivers 90 minute capacity to emergency lamps
- Full-range motion lamp heads provide same superior performance and spacing as Quantum incandescent
- Quantum Quick-Mount® Installation features
- Only compatible with LED remotes

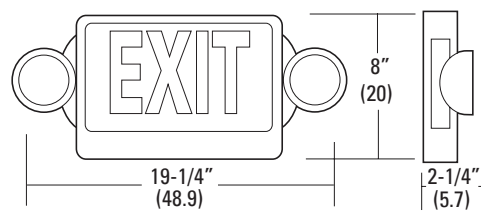


ORDERING INFORMATION

Catalog Number	UPC	Description	Supply Voltage	Input Wattage	Pallet Qty.	Standard Carton Qty.
LHQM LED G M6	745976253950	LED, Green Combo	120/277	3.4/3.7	96	6
LHQM LED R M6	745976254438	LED, Red Combo	120/277	3.4/3.7	96	6
LHQM LED G HO M6	745976254469	LED, Green High Output Combo*	120/277	3.4/3.7	96	6
LHQM LED R HO M6	745976254322	LED, Red High Output Combo*	120/277	3.4/3.7	96	6

* HO model will power up to six LED remote heads; See p.118 for available remote lamps.

DIMENSIONS



ACCESSORIES

- ELA WG3 Wireguard, 30" Wide (back mount only)

FEATURES

- Precision-molded, white thermoplastic housing is impact and scratch-resistant, corrosion-proof and UV-stabilized to resist discoloration
- Features two LED lamp heads with 12 parallel white LEDs in each; expected LED life of up to 10 years
- Sealed, maintenance-free nickel cadmium battery delivers 90 minute capacity to emergency lamps
- Optional high-output (HO) battery available to power both local and optional LED remote lamp heads simultaneously offering additional 6W remote capacity
- Only compatible with LED remotes

ELM2 LED

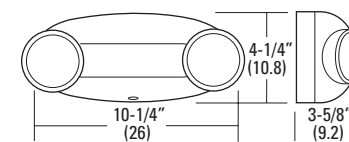


ORDERING INFORMATION

Catalog Number	UPC	Description	Supply Voltage	Input Wattage	Pallet Qty.	Standard Carton Qty.
ELM2 LED M12	745975223992	LED Lighting Unit	120/277	2.1	288	12
ELM2 LED HO M12	745975850259	LED, High Output Lighting Unit*	120/277	2.1	288	12

* HO model will power up to four additional LED remote heads; See p.118 for available remote lamps.

DIMENSIONS



ACCESSORIES

- ELA WG1 Wireguard, 15" Wide (back mount only)

Quantum® Emergency Combos

LHQM



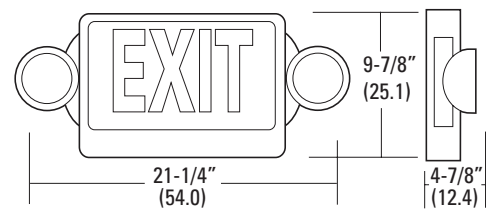
FEATURES

- Precision-molded, white thermoplastic housing is impact and scratch-resistant, corrosion-proof and UV-stabilized to resist discoloration
- Fully assembled single-face exit with optional extra faceplate for easy field conversion to double face
- Expected LED life of up to 10 years for LED's in EXIT sign
- Sealed, maintenance-free lead-calcium battery delivers 90 minutes of emergency power
- Two 5.4W krypton lamps offer 32% more light output than standard incandescent lamps
- Optional high-output (HO) battery provides power up to 6V, 12W remote load (not compatible with LED remote heads)
- Quick-Mount® Installation in less than three minutes

ORDERING INFORMATION

Catalog Number	UPC	Description	Supply Voltage	Input Wattage	Pallet Qty.	Standard Carton Qty.
LHQM S W 3 G	745974515364	Thermoplastic, Green Combo	120/277	3.3	72	1
LHQM S W 3 R M4	745974468202	Thermoplastic, Red Combo	120/277	3.3	48	4
LHQM S W 3 R HO M4	745974484677	Thermoplastic, Red, High Output Combo	120/277	3.3	48	4
LHQM S W 3 R HO R0	745974515340	Thermoplastic, Red, High Output Combo, Less Lamp Heads	120/277	3.3	72	1
LHQM S W 3 R N	745974515326	Thermoplastic, Red Combo with Nickel-Cadium Battery	120/277	3.3	72	1

DIMENSIONS



ACCESSORIES

- ELA WG3 Wireguard, 30" Wide (back mount only)

Quantum® Emergency Units

ELM/ELM2/ELM6-12



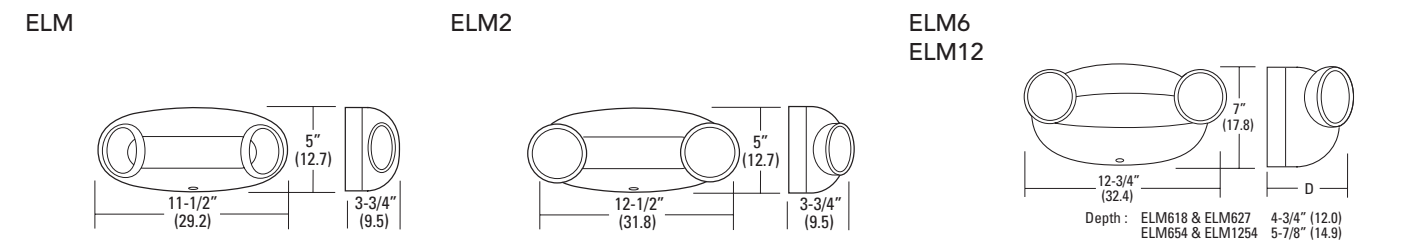
FEATURES

- Precision-molded, white thermoplastic housing is impact and scratch-resistant, corrosion-proof and UV-stabilized to resist discoloration
- Features a maintenance-free, sealed lead-calcium battery that provides 90 minutes of emergency power
- ELM/ELM2 feature two 5.4W krypton lamps offering 32% more light output than standard incandescent lamps; ELM6-12 feature two 9W wedge-base krypton lamps offering 48% more light output
- Patented MR24, multi-faceted reflector (ELM2 & ELM6-12) significantly improves photometric performance
- Universal voltage input capability (120 through 277V, 50hz or 60hz) on ELM6-12

ORDERING INFORMATION

Catalog Number	UPC	Description	Supply Voltage	Input Wattage	Pallet Qty.	Standard Carton Qty.
ELM	784231010822	White Thermoplastic Lighting Unit	120/277	1.2	216	1
ELM2	784231010839	White Thermoplastic Lighting Unit, Adjustable Optics	120/277	1.5	216	1
ELM2 B	784231011003	Black Thermoplastic Lighting Unit, Adjustable Optics	120/277	1.5	330	1
ELM2 SD	784231176092	White Thermoplastic Lighting Unit, Self-Diagnostics	120/277	1.5	216	1
ELM618	784231000588	White Thermoplastic Lighting Unit	120-277	18	90	1
ELM627	784231000601	White Thermoplastic Lighting Unit	120-277	27	90	1
ELM654	784231000625	White Thermoplastic Lighting Unit	120-277	54	75	1
ELM1254	784231000649	White Thermoplastic Lighting Unit	120-277	54	75	1

DIMENSIONS



Remote Lamps

ELA (LED)



FEATURES

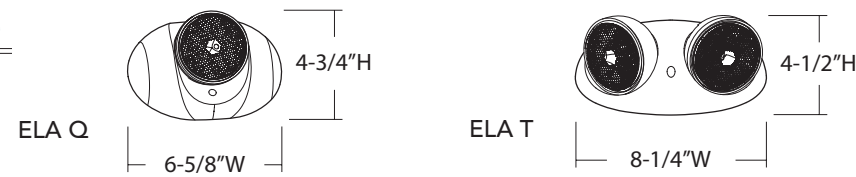
- To be powered by Quantum® LED series unit or combo with high-output option as part of an emergency lighting system providing light for the path of egress
- Fully adjustable lamp heads meet all aiming requirements
- Constructed of strong, UV-stabilized thermoplastic that resists discoloration
- Lamp housing snaps off for easy lamp replacement
- Single, twin and weather-proof remote lamps available
- Includes 12 white LEDs per lamp head

ORDERING INFORMATION

Catalog Number ¹	UPC	Description	Supply Voltage	Wattage ²	Lamp Type	Pallet Qty.	Standard Carton Qty.
ELA Q L0304 M12	745975850280	White, Single, Remote Lamp	3.6	1.5	LED	432	12
ELA T Q L0304 M12	745975851393	White, Twin, Remote Lamp	3.6	1.5	LED	384	12
ELA T QWP L0304 M12	745976253844	Gray, Twin, Weather-Proof Remote Lamp	3.6	1.5	LED	384	12
ELA Q L0309 M12	745972706931	White, Single, LED Remote Lamp	9.6	1.5	LED	432	12
ELA T Q L0309 M12	745972707242	White, Twin, LED Remote Lamp	9.6	1.5	LED	384	12
ELA T QWP L0309 M12	745972707297	Gray, Twin, Weather-Proof, LED Remote Lamp	9.6	1.5	LED	384	12

L0304 models for use only with ELM2 LED HO; L0309 models for use only with LHQM LED HO¹

DIMENSIONS



ELA



FEATURES

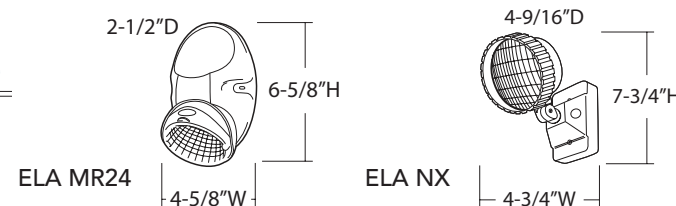
- Powered by 6V battery equipment as part of an emergency lighting system providing light for the path of egress
- Fully adjustable lamp heads meet all aiming requirements
- Lamp housing snaps off for easy lamp replacement
- ELA NX designed for damp and wet location applications

ORDERING INFORMATION

Catalog Number	UPC	Description	Supply Voltage	Wattage*	Lamp Type	Pallet Qty.	Standard Carton Qty.
ELA MR24 K0606	784231164150	Krypton, Single, Remote Lamp	6	6	MR24	96	1
ELA NX H0606	784231006788	Halogen, Single, Remote Lamp	6	6	Par36	180	1
ELA NX H0806	784231006719	Halogen, Single, Remote Lamp	6	8	Par36	96	1
ELA NX N0806	784231006542	Incandescent, Single, Remote Lamp	6	8	Par36	180	1

* per lamp head

DIMENSIONS



Power Sentry® Battery Packs

FEATURES

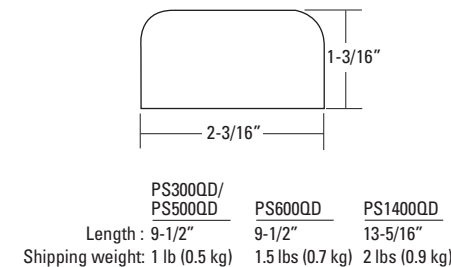
- Factory- or field-installed
- Operates lamp(s) at an initial output of 10% to 95% of rated lamp lumens, providing optimum glare-free illumination
- Reduced-profile footprint fits in the tightest application
- Sealed, maintenance-free, high-temperature Ni-Cad batteries provide a minimum of 90 minutes of operation
- Patent-pending Quick-Disconnect connector system allows for quick and easy replacements at end of life without re-wiring



ORDERING INFORMATION

Catalog Number	UPC	Description	Supply Voltage	Input Wattage	Lumen Output	Pallet Qty.	Standard Carton Qty.
PS1400QD M8	784231103593	Linear Fluorescent	120/277	3.5	1400	416	8
PS300QD M12	784231007136	Linear Fluorescent	120/277	2.5	300	576	12
PS600QD M12	784231011874	Linear Fluorescent	120/277	3	600	576	12
PSDL3 M6	784231103210	Four-pin, Compact Fluorescent	120/277	9-42	400-1038	180	6
PSQ500QD M12	784231124413	Linear Fluorescent	120/277	2.5	500	576	12

DIMENSIONS



OUTDOOR

LED Floodlighting

Floodlighting

LED Building Mounted

Building Mounted

LED Canopy Lighting

LED Security Lighting

Area Lighting



LED Floodlighting

D-Series

FEATURES

- Replaces up to 100-250W+ MH floodlights
- LED driver is mounted in direct contact with casting to promote low operating temperature and long life
- Light engines available in 4000K (70 CRI min) or 5000K (67 CRI min) configurations
- IP65 rated



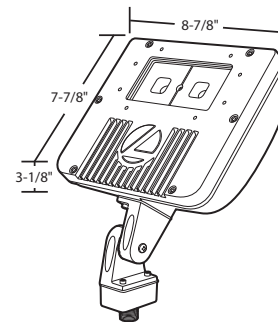
ORDERING INFORMATION

Catalog Number	UPC	Description	Lumens*	Color Temperature*	Voltage	Finish	Photocell Included	Approximate Weight (lbs)	Pallet Qty.	Standard Carton Qty.
DSXF1 LED 1 40K M4	753573384885	LED Floodlight with NEMA 6 Distribution	1,927	4000K	120-277	Dark Bronze	N	7	144	4
DSXF1 LED 1 50K M4	753573384854	LED Floodlight with NEMA 6 Distribution	2,112	5000K	120-277	Dark Bronze	N	7	144	4
DSXF1 LED 2 40K M4	753573385073	LED Floodlight with NEMA 6 Distribution	3,866	4000K	120-277	Dark Bronze	N	7	144	4
DSXF1 LED 2 50K M4	753573384960	LED Floodlight with NEMA 6 Distribution	4,008	5000K	120-277	Dark Bronze	N	7	144	4
DSXF2 LED 3 40K M2	753573385486	LED Floodlight with NEMA 6 Distribution	5,493	4000K	120-277	Dark Bronze	N	11	108	2
DSXF2 LED 3 50K M2	753573385097	LED Floodlight with NEMA 6 Distribution	5,696	5000K	120-277	Dark Bronze	N	11	108	2
DSXF2 LED 4 40K M2	753573385554	LED Floodlight with NEMA 6 Distribution	7,041	4000K	120-277	Dark Bronze	N	11	108	2
DSXF2 LED 4 50K M2	753573385516	LED Floodlight with NEMA 6 Distribution	7,526	5000K	120-277	Dark Bronze	N	11	108	2

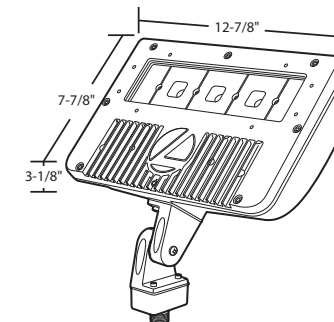
* Numbers listed are nominal.

DIMENSIONS

DSXF1



DSXF2



ACCESSORIES

- DSXF1/2TS DDBXD U Slipfitter
- DSXF1FV DDBXD U Full Visor
- DSXF1UBV DDBXD U Upper/Bottom Visor

LED Floodlighting

Motion Sensors



FEATURES

- Ideal replacement for 2-head PAR38 60-90W halogen
- Ideal for walkways, yards, patios, play areas and driveways creating an inviting exterior space as well as providing safety and security
- Tool-free adjustable heads allow for easy aiming up/down or side-to-side
- Clear acrylic lenses are fully gasketed to keep out moisture, dirt and bugs
- Each head contains (3) high performance LEDs which maintain over 70% of their lumen output at 50,000 hours of operation
- Dual array motion sensor provides 180° detection with up to 70 feet forward range and additional downward perimeter protection; integrated photocell prevents activation during daylight

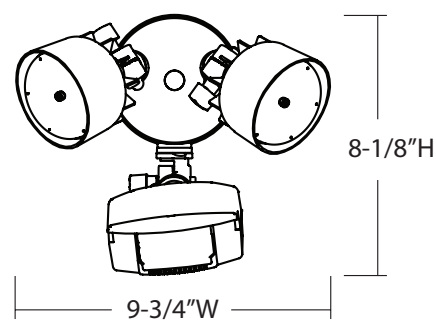
ORDERING INFORMATION

Catalog Number	UPC	Description	Lumens*	Color Temperature*	Voltage	Finish	Photocell Included	Approximate Weight (lbs)	Pallet Qty.	Standard Carton Qty.
OFLR 6LC 120 MO BZ M2	745973299388	Twin Head, LED Floodlight	1,222	5000K	120	Bronze	Y	2.7	180	2
OFLR 6LC 120 MO WH M2	745973299302	Twin Head, LED Floodlight	1,222	5000K	120	White	Y	2.7	180	2
OFLR 9LC 120 MO BZ M2	745973299500	Triple Head, LED Floodlight	1,719	5700K	120	Bronze	Y	4.5	144	2
OFLR 9LC 120 MO WH M2	745973299487	Triple Head, LED Floodlight	1,719	5700K	120	White	Y	4.5	144	2

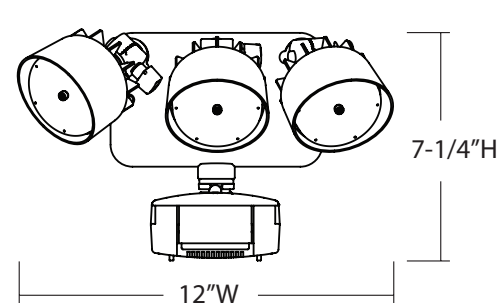
* Numbers listed are nominal.

DIMENSIONS

OFLR (Twin Head)



OFLR (Triple Head)



LED Floodlighting

Dusk-to-Dawn



FEATURES

- OFLR is an ideal replacement for 2-head PAR38 60-90W halogen; OLFL is an ideal replacement for 300W quartz halogen
- Ideal illumination for walkways, yards, patios, play areas and driveways creating an inviting exterior space as well as providing safety and security
- Adjustable heads allow for easy aiming up/down or side-to-side
- Clear acrylic and glass lenses are fully gasketed to keep out moisture, dirt and bugs
- High performance LEDs maintain at least 70% of their lumen output at 50,000 hours of operation
- Dusk-to-dawn photocell automatically turns light on at dusk and off at dawn for convenience and energy savings

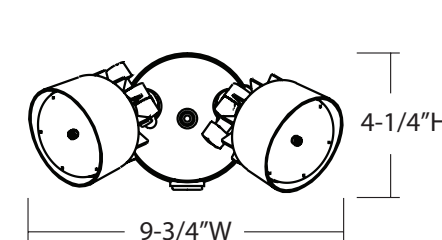
ORDERING INFORMATION

Catalog Number	UPC	Description	Lumens*	Color Temperature*	Voltage	Finish	Photocell Included	Approximate Weight (lbs)	Pallet Qty.	Standard Carton Qty.
OFLR 6LC 120 P BZ M2	745973299401	Twin Head, LED Floodlight	1,096	5000K	120	Bronze	Y	2.2	300	2
OFLR 6LC 120 P WH M2	745973299340	Twin Head, LED Floodlight	1,096	5000K	120	White	Y	2.2	300	2
OFLR 9LC 120 P BZ M2	745973300039	Triple Head, LED Floodlight	1,636	5700K	120	Bronze	Y	3.8	192	2
OFLR 9LC 120 P WH M2	745973299982	Triple Head, LED Floodlight	1,636	5700K	120	White	Y	3.8	192	2
OLFL 14 PE BZ M4	753573853497	LED Security, Wall Mount Floodlight	1,351	4000K	120	Bronze	Y	1.7	360	4

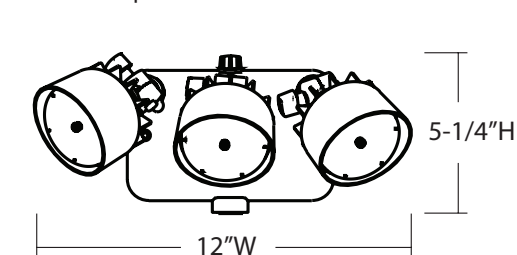
* Numbers listed are nominal.

DIMENSIONS

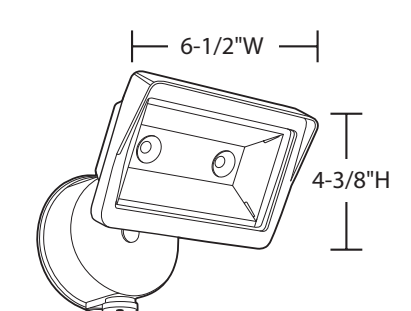
OFLR (Twin Head)



OFLR (Triple Head)



OLFL



Floodlighting

250 - 1000 watts



FEATURES

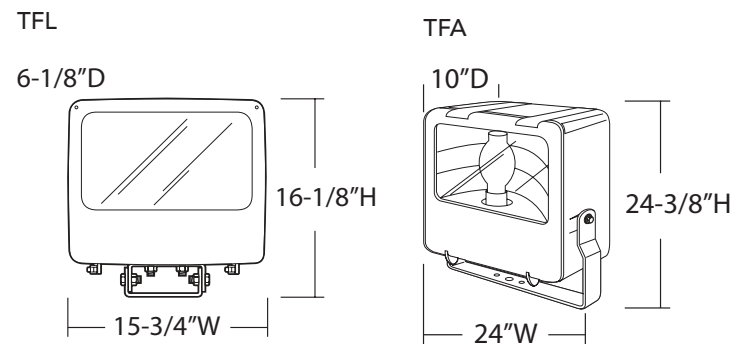
- Ideal for recreation areas, parking lots, building facades and car lots or any general purpose outdoor application
- Heavy-duty, die-cast aluminum construction
- Front bezel is fully sealed with one-piece, bonded silicone gasket
- Lens is thermal- and shock-resistant, clear, tempered glass
- EISA compliant



ORDERING INFORMATION

Catalog Number	UPC	Description	Wattage	Lamp Source	Voltage	Finish	Lamp Included	Approximate Weight (lbs)	Pallet Qty.	Standard Carton Qty.
TFL 250M RA2 TB SCWA LPI	745975201334	Medium Floodlight, Horizontal Lamp	250	MH	120/208/240/277	Dark Bronze	Y	26	34	1
TFL 250M TA2 TB SCWA LPI	745975212798	Medium Floodlight, Vertical Lamp	250	MH	120/208/240/277	Dark Bronze	Y	26	34	1
TFL 250S RA2 TB LPI	784231035115	Medium Floodlight, Horizontal Lamp	250	HPS	120/208/240/277	Dark Bronze	Y	29	34	1
TFL 400M RA2 TB SCWA LPI	745975201402	Medium Floodlight, Horizontal Lamp	400	MH	120/208/240/277	Dark Bronze	Y	29	34	1
TFL 400M RA2 TB SCWA IS LPI	745975201464	Medium Floodlight with Integral Slipfitter	400	MH	120/208/240/277	Dark Bronze	Y	29	34	1
TFL 400S RA2 TB LPI	784231035122	Medium Floodlight, Horizontal Lamp	400	HPS	120/208/240/277	Dark Bronze	Y	31	34	1
TFA 1000M TA TB LPI	784231151532	Large Floodlight, Vertical Lamp	1000	MH	120/208/240/277	Dark Bronze	Y	65	8	1
TFA 1000M TA TB IS LPI	784231151525	Large Floodlight with Integral Slipfitter	1000	MH	120/208/240/277	Dark Bronze	Y	65	8	1

DIMENSIONS



ACCESSORIES

- **FRWB DDB U** Radius Wall Bracket (Dark Bronze)
- **FSAB DDB U** Steel Angle Bracket for Use With Yoke Mount Only (Dark Bronze)
- **FTS U** Tenon Slipfitter for Use With Yoke Mount Only
- **PE1 U** NEMA Twist-Lock Photocontrol (120V, 208V, 240V)
- **FSPB DDB U** Steel Square Pole Bracket

Floodlighting

70 - 400 watts



FEATURES

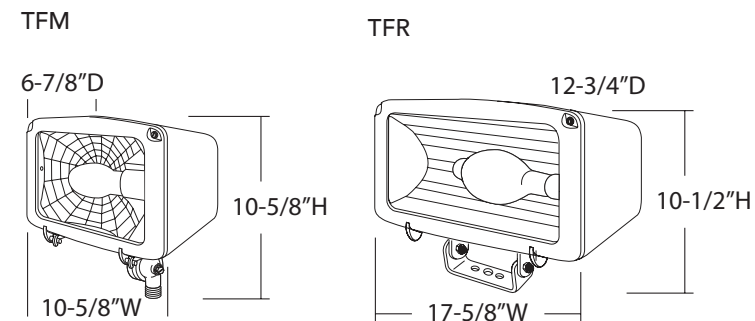
- Ideal for signs, flags, building facades and landscape lighting
- Die-cast aluminum housing and removable front bezel
- Front bezel removes via position-oriented hinge-cam design and is fully sealed with one-piece, bonded silicone gasket
- Lens is thermal and shock-resistant, clear tempered glass
- EISA compliant



ORDERING INFORMATION

Catalog Number	UPC	Description	Wattage	Lamp Source	Voltage	Finish	Lamp Included	Approximate Weight (lbs)	Pallet Qty.	Standard Carton Qty.
TFM 70M RB TB LPI	784231102701	Small Floodlight, Horizontal Lamp	70	MH	120/208/240/277	Dark Bronze	Y	12	64	1
TFM 100M RB TB LPI	784231102640	Small Floodlight, Horizontal Lamp	100	MH	120/208/240/277	Dark Bronze	Y	12	64	1
TFM 100M TA TB LPI	784231142301	Small Floodlight, Vertical Lamp	100	MH	120/208/240/277	Dark Bronze	Y	12	64	1
TFM 150M RB TB LPI	745975310708	Small Floodlight, Horizontal Lamp	150	MH	120/208/240/277	Dark Bronze	Y	15	64	1
TFR 250M TA TB SCWA LPI	745975201631	Medium Floodlight, Horizontal Lamp	250	MH	120/208/240/277	Dark Bronze	Y	29	24	1
TFR 400M TA TB SCWA LPI	745975201679	Medium Floodlight, Horizontal Lamp	400	MH	120/208/240/277	Dark Bronze	Y	32	24	1
TFR 400M TA TB SCWA IS LPI	745975201655	Medium Floodlight with Integral Slipfitter	400	MH	120/208/240/277	Dark Bronze	Y	32	24	1

DIMENSIONS



ACCESSORIES

- **TFM TS U** Tenon Slipfitter for 1/2 Threaded Knuckle

LED Building Mounted

OLW



FEATURES

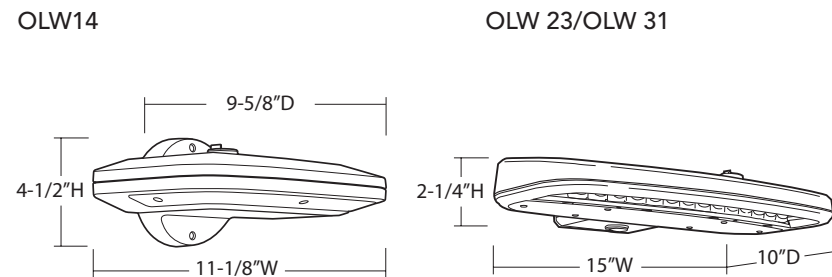
- Replaces up to 175-250W+ MH
- Ideal for lighting building facades, parking areas, walkways, garages, loading areas and any other outdoor space
- Features a sturdy weather-resistant aluminum housing and a clear polycarbonate lens that protects the optics from moisture, dirt and other contaminants
- The OLW 23 and OLW 31 feature individual, precision-molded optics for Type 3 light distribution
- High performance LEDs powered by a multi-volt driver provide 1,337 lumens (OLW14), 2,300 lumens (OLW 23) and 3,100 lumens (OLW 31) of cool white light (5000K)
- 50,000 hour average LED life means no lamp replacement
- Adjustable dusk-to-dawn, multi-volt photocell is standard
- Tested in accordance with IESNA LM-79 and LM-80

ORDERING INFORMATION

Catalog Number	UPC	Description	Lumens*	Color Temperature*	Voltage	Finish	Photocell Included	Approximate Weight (lbs)	Pallet Qty.	Standard Carton Qty.
OLW14 M2	745977919336	LED Wall Pack, Cut-off	1,337	5000K	120-277	Bronze	Y	3	128	2
OLW14 WH M2	784231432594	LED Wall Pack, Cut-off	1,337	5000K	120-277	White	Y	3	128	2
OLW 23 M2	784231814574	LED Wall Pack, Cut-off	2,300	5000K	120-277	Dark Bronze	Y	7	96	2
OLW 31 M2	784231815458	LED Wall Pack, Cut-off	3,100	5000K	120-277	Dark Bronze	Y	7	96	2
OLW 31 WH M2	753573385509	LED Wall Pack, Cut-off	3,100	5000K	120-277	White	Y	7	96	2

* Numbers listed are nominal.

DIMENSIONS



ACCESSORIES

- **FCOS M24** Full Cutoff Shield, Bronze (OLW14 only)
- **OMA M6** 14" Aluminum Mounting Arm (OLW 23/31 only)
- **OMA 18 DDB M6** 18" Dark Bronze Mounting Arm (OLW 23/31 only)

LED Building Mounted

TWH/TWP LED



FEATURES

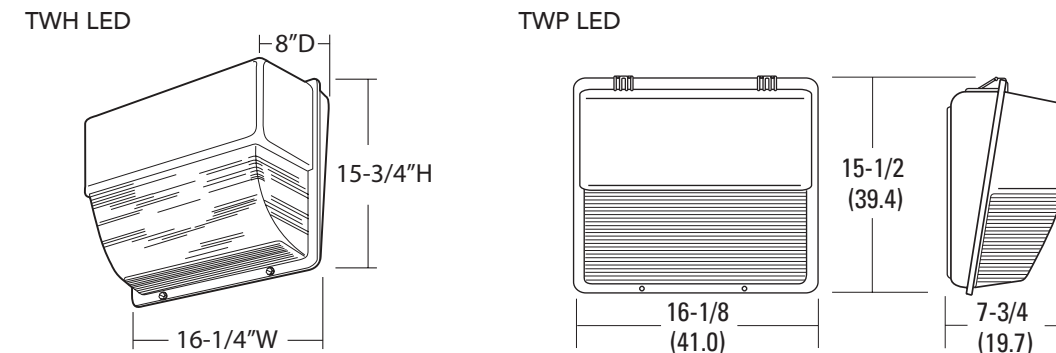
- TWH LED replaces up to 175-400W MH and TWP LED replaces up to 100-250W MH
- Typical savings of 75% over metal halide
- High performance optics deliver better uniformity
- Expected service life of 20+ years
- Features individual LED optics to deliver more lumens to the target area
- Provides gradual and trouble-free transition from HID to LED
- Choice of cast/glass (TWH) or vandal-resistant polycarbonate (TWP) front cover

ORDERING INFORMATION

Catalog Number	UPC	Description	Lumens*	Color Temperature*	Voltage	Finish	Photocell Included	Approximate Weight (lbs)	Pallet Qty.	Standard Carton Qty.
TWH LED 10C 50K	753573896999	LED Wall Pack	2,559	5000K	120-277	Dark Bronze	N	28	30	1
TWH LED 20C 50K	753573897026	LED Wall Pack	4,910	5000K	120-277	Dark Bronze	N	28	30	1
TWH LED 30C 50K	753573897033	LED Wall Pack	6,728	5000K	120-277	Dark Bronze	N	28	30	1
TWP LED 10C 50K	753573897040	LED Wall Pack	1,614	5000K	120-277	Dark Bronze	N	15	30	1
TWP LED 20C 50K	753573897071	LED Wall Pack	3,149	5000K	120-277	Dark Bronze	N	15	30	1
TWP LED 30C 50K	753573897118	LED Wall Pack	4,377	5000K	120-277	Dark Bronze	N	15	30	1

* Numbers listed are nominal.

DIMENSIONS



LED Building Mounted

OLLWD/OLLWU



FEATURES

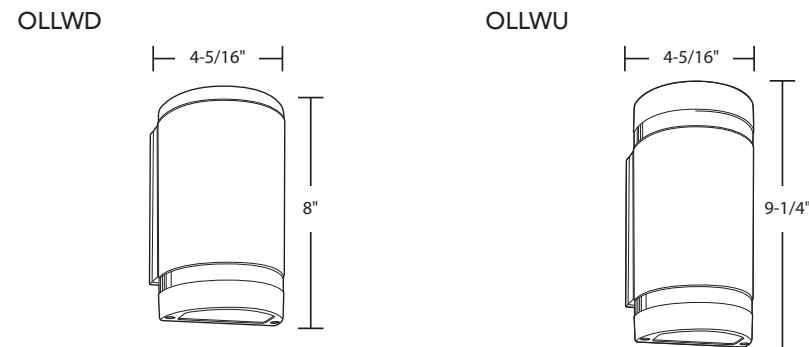
- Replaces up to 13-26W CFL or 60-150W INC
- LED wall light provides energy-efficient accent lighting for commercial, multi-family and single family applications
- Includes 4000K LEDs (74 CRI)
- Unique design of light rings for distinctive look
- Features up and down light and up or down light

ORDERING INFORMATION

Catalog Number	UPC	Description	Lumens*	Color Temperature*	Voltage	Finish	Photocell Included	Approximate Weight (lbs)	Pallet Qty.	Standard Carton Qty.
OLLWD DDB M6	753573330097	LED Wall Light with Downlight	270	4000K	120-277	Dark Bronze	N	2.5	540	6
OLLWD WH M6	753573330103	LED Wall Light with Downlight	270	4000K	120-277	White	N	2.5	540	6
OLLWU DDB M6	753573330073	LED Wall Light with Up & Downlight	500	4000K	120-277	Dark Bronze	N	2.7	432	6
OLLWU WH M6	753573330080	LED Wall Light with Up & Downlight	500	4000K	120-277	White	N	2.7	432	6

* Numbers listed are nominal.

DIMENSIONS



LED Building Mounted

OLWP



FEATURES

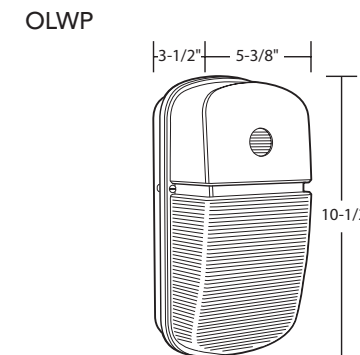
- Replaces up to 42W CFL or 100W MH
- Outdoor LED wall pack offers a traditional look with over 50% less power consumption
- Includes 4000K LEDs (74 CRI)
- Photocell turns light on at dusk and off at dawn for additional energy savings

ORDERING INFORMATION

Catalog Number	UPC	Description	Lumens*	Color Temperature*	Voltage	Finish	Photocell Included	Approximate Weight (lbs)	Pallet Qty.	Standard Carton Qty.
OLWP 11 PE BZ M4	753573853428	LED Polycarbonate Wall Mount	1,096	4000K	120	Bronze	Y	2.1	320	4

* Numbers listed are nominal.

DIMENSIONS



Building Mounted

100 - 400 watts



FEATURES

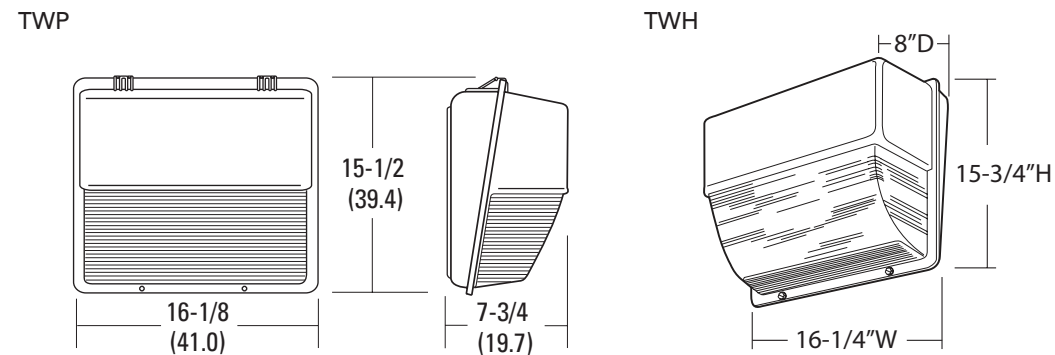
- For outdoor storage areas, warehouse and factory perimeters and loading docks
- Rugged, die-cast aluminum housing
- Refractor is prismatic borosilicate glass which is sealed and gasketed to inhibit entrance of outside contaminants
- Corrosion-resistant captive external hardware includes slotted hex-head fasteners
- EISA compliant



ORDERING INFORMATION

Catalog Number	UPC	Description	Wattage	Lamp Source	Voltage	Finish	Lamp Included	Approximate Weight (lbs)	Pallet Qty.	Standard Carton Qty.
TWP 100M TB LPI	784231146262	Large Wall Pack, Polycarbonate Refractor	100	MH	120/208/240/277	Dark Bronze	Y	18	30	1
TWP 100S TB LPI	784231035016	Large Wall Pack, Polycarbonate Refractor	100	HPS	120/208/240/277	Dark Bronze	Y	18	30	1
TWP 150M TB LPI	745975125180	Large Wall Pack, Polycarbonate Refractor	150	MH	120/208/240/277	Dark Bronze	Y	18	30	1
TWP 150S TB LPI	784231034903	Large Wall Pack, Polycarbonate Refractor	150	HPS	120/208/240/277	Dark Bronze	Y	18	30	1
TWH 150M TB LPI	745977325540	Large Wall Pack, Glass Refractor	150	MH	120/208/240/277	Dark Bronze	Y	28	30	1
TWH 150S TB LPI	784231084762	Large Wall Pack, Glass Refractor	150	HPS	120/208/240/277	Dark Bronze	Y	30	16	1
TWH 175M TB SCWA LPI	745975375165	Large Wall Pack, Glass Refractor	175	MH	120/208/240/277	Dark Bronze	Y	30	30	1
TWH 250M TB SCWA LPI	745975201792	Large Wall Pack, Glass Refractor	250	MH	120/208/240/277	Dark Bronze	Y	30	30	1
TWH 250S TB LPI	784231067420	Large Wall Pack, Glass Refractor	250	HPS	120/208/240/277	Dark Bronze	Y	34	30	1
TWH 400M TB SCWA LPI	745975201815	Large Wall Pack, Glass Refractor	400	MH	120/208/240/277	Dark Bronze	Y	34	30	1
TWH 400S TB LPI	784231067406	Large Wall Pack, Glass Refractor	400	HPS	120/208/240/277	Dark Bronze	Y	38	30	1

DIMENSIONS



Building Mounted

26 - 100 watts



FEATURES

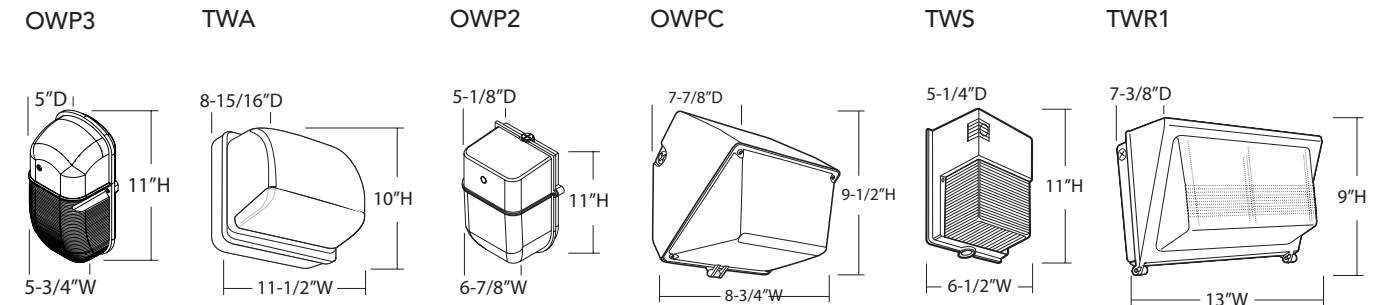
- Ideal for providing outdoor security and perimeter lighting in commercial applications
- Rugged, corrosion-resistant housing
- Housings are sealed with a one-piece gasket to prevent contamination
- Dusk-to-dawn photocell provides automatic on/off (OWP2/3 and TWS only)



ORDERING INFORMATION

Catalog Number	UPC	Description	Wattage	Lamp Source	Voltage	Finish	Photocell Included	Lamp Included	Approximate Weight (lbs)	Pallet Qty.	Standard Carton Qty.
OWP3 42F 120 P LP BZ M4	745974444367	Mini Wall Pack	42	CFL	120	Dark Bronze	Y	Y	2	256	4
OWP3 42F 120 P LP WH M4	745975460199	Mini Wall Pack	42	CFL	120	White	Y	Y	2	256	4
TWA 70M TB LPI	784231138571	Mini Wall Pack	70	MH	120/208/240/277	Dark Bronze	N	Y	10	64	1
TWA 100M TB LPI	784231115022	Mini Wall Pack	100	MH	120/208/240/277	Dark Bronze	N	Y	10	64	1
OWP2 50M 120 P LP BZ M4	745975479252	Small Wall Pack	50	MH	120	Dark Bronze	Y	Y	5	144	4
OWPC 70M 120 LP DDB M2	784231724255	Small Wall Pack	70	MH	120	Dark Bronze	N	Y	7	100	2
TWS 35S 120 PE LPI M6	784231177167	Small Wall Pack	35	HPS	120	Dark Bronze	Y	Y	4	144	6
TWS 50M 120 PE LPI M6	784231183588	Small Wall Pack	50	MH	120	Dark Bronze	Y	Y	6	144	6
TWS 50S 120 PE LPI M6	784231177143	Small Wall Pack	50	HPS	120	Dark Bronze	Y	Y	5	144	6
TWS 70S 120 PE LPI M6	784231177129	Small Wall Pack	70	HPS	120	Dark Bronze	Y	Y	5	144	6
TWS 26/42TRT 120 PE L/LP M6	784231177211	Small Wall Pack	26-42	CFL	120	Dark Bronze	Y	N	3	144	6
TWS 26/42TRT MVOLT L/LP M6	784231177334	Small Wall Pack	26-42	CFL	120-277	Dark Bronze	N	N	3	144	6
TWR1 70M TB LPI	784231154052	Medium Wall Pack	70	MH	120/208/240/277	Dark Bronze	N	Y	14	36	1
TWR1 100M TB LPI	784231138724	Medium Wall Pack	100	MH	120/208/240/277	Dark Bronze	N	Y	15	36	1
TWR1 2/42TRT MVOLT LPI	784231005316	Medium Wall Pack	2-42	CFL	120-277	Dark Bronze	N	Y	11	36	1

DIMENSIONS



LED Canopy Lighting

OLWCM



FEATURES

- Replaces up to 175-250W+ MH canopy lights
- Designed for ceiling mounting between 8 and 15 feet or pendant mounting to enable custom mounting heights
- Polycarbonate lens protect LEDs from the elements and provide even light distribution
- 50,000 hour L70 LED life
- OLWCM 36 provides a tight distribution for maximum lighting of smaller areas
- OLWCM 46 and 57 provide wider distribution to illuminate larger areas

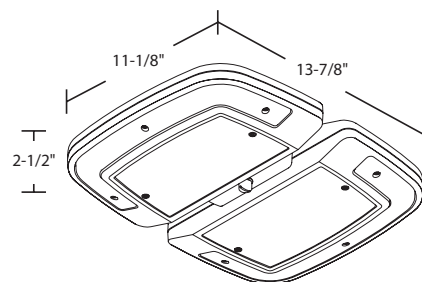
ORDERING INFORMATION

Catalog Number	UPC	Description	Lumens*	Color Temperature*	Voltage	Finish	Photocell Included	Approximate Weight (lbs)	Pallet Qty.	Standard Carton Qty.
OLWCM 36 M2	753573012504	LED Canopy and Ceiling Light	3,634	5000K	120-277	Dark Bronze	N	5.4	108	2
OLWCM 46 M2	753573385080	LED Canopy and Ceiling Light	4,600	5000K	120-277	Dark Bronze	N	15	40	2
OLWCM 57 M2	753573384755	LED Canopy and Ceiling Light	5,700	5000K	120-277	Dark Bronze	N	15	40	2

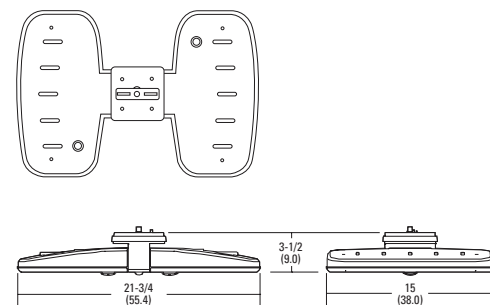
* Numbers listed are nominal.

DIMENSIONS

OLWCM 36



OLWCM 46/57



LED Security Lighting

OLAW



FEATURES

- Replaces up to 100W MH or 175W MV
- Provides years of maintenance-free general illumination for outdoor applications such as building facades, parking areas, walkways, garages and loading areas
- Sturdy weather-resistant aluminum housing; clear polycarbonate lens that protects the optics from moisture, dirt and other contaminants
- 10 high performance, 5000K LEDs are powered by 120 volt driver that uses 35 input watts
- Wall or arm mount; all mounting hardware included (mounting arm sold separately)
- 50,000 hour L70 LED life
- Adjustable dusk-to-dawn photocell is standard

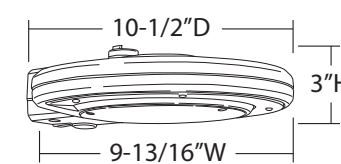
ORDERING INFORMATION

Catalog Number	UPC	Description	Lumens*	Color Temperature*	Voltage	Finish	Photocell Included	Approximate Weight (lbs)	Pallet Qty.	Standard Carton Qty.
OLAW23 53K 120 PE BZ M2	784231606162	LED Area/Wall Light	2,304	5000K	120	Bronze	Y	3	120	2

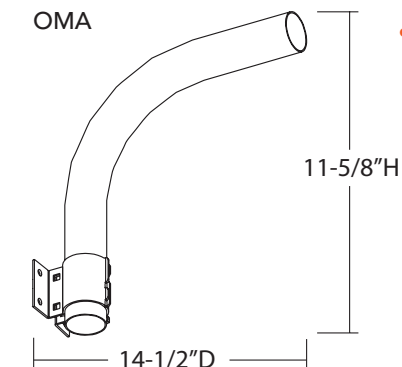
* Numbers listed are nominal.

DIMENSIONS

OLAW



OMA



ACCESSORIES

- OMA M6 14" Aluminum Mounting Arm
- OMA 18 DDB M6 18" Dark Bronze Mounting Arm

Area Lighting

KAD



FEATURES

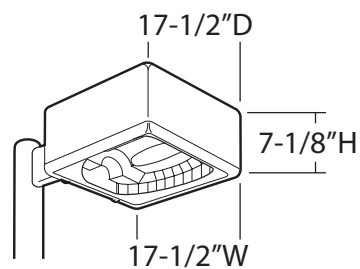
- Ideal for car lots, parking areas and street lighting
- Rugged, die-cast, soft corner aluminum housing
- Impact-resistant, tempered glass lens that is fully gasketed with one piece tubular silicone
- Extruded 4" aluminum arm for square pole mounting, shipped in fixture carton as standard
- EISA compliant



ORDERING INFORMATION

Catalog Number	UPC	Description	Wattage	Lamp Source	Voltage	Finish	Lamp Included	Approximate Weight (lbs)	Pallet Qty.	Standard Carton Qty.
KAD 250M R3 TB SCWA SPD04 LPI	745975201181	Area Light with Type 3 Asymmetric Distribution	250	MH	120/208/240/277	Dark Bronze	Y	34	16	1
KAD 400M R3 TB SCWA SPD04 LPI	745975014927	Area Light with Type 3 Asymmetric Distribution	400	MH	120/208/240/277	Dark Bronze	Y	38	16	1
KAD 400M R4 TB SCWA SPD04 LPI	745975014934	Area Light with Type 4 Forward Throw	400	MH	120/208/240/277	Dark Bronze	Y	38	16	1

DIMENSIONS



ACCESSORIES

- RK1 KADDA U Door Assembly/Lens Installed (Dark Bronze)

Area Lighting

Fixture, Pole Combo



FEATURES

- For parking areas, street lighting, walkways and car lots
- One catalog number includes everything: Contour series KAD fixture(s) with lamp, pole, base cover, anchor bolts and pole top cap
- Choice of single-mount (KC1) or double-mount (KC2)
- Die-cast, soft-corner aluminum housing
- Die-cast door frame has impact-resistant, tempered flat glass lens which is fully gasketed
- Extruded 4" soft corner arm for square pole mounting

ORDERING INFORMATION

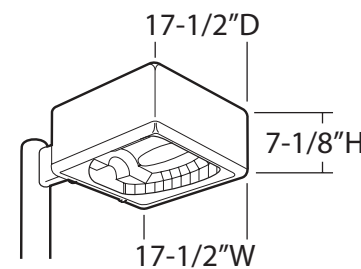
Catalog Number	Description	Wattage	Lamp Source	Voltage	Finish	Lamp Included
KC1250M20C R3 4C SCWA	1 Fixture, 20' Pole Combo	250	MH	120/208/240/277	Dark Bronze	Y
KC1400M25C R3 4C SCWA	1 Fixture, 25' Pole Combo	400	MH	120/208/240/277	Dark Bronze	Y
KC2250M20C R3 4C SCWA	2 Fixture, 20' Pole Combo	250	MH	120/208/240/277	Dark Bronze	Y
KC2400M25C R3 4C SCWA	2 Fixture, 25' Pole Combo	400	MH	120/208/240/277	Dark Bronze	Y

*Catalog and UPC info for shippable, fixture components may vary based upon quantity ordered

Example: KC2250M20C R3 4C SCWA
Consists of:

Catalog Number	Description
SSS 20 4C DM28 PL DDB SHAFT	Pole
KAD 250M R3 TB SCWA SPD04 LPI	Fixture
SBC4 DDB U	Base Cover
ABSSS-4C	Anchor Bolts
STC-4 U	Pole Top Cap

DIMENSIONS



SEE THE ACCULAMP® DIFFERENCE



Acculamp LED lamps by Acuity Brands® are ideal one-for-one replacements of common halogen and incandescent lamp sources. Every lamp delivers the look and performance expected from traditional lamp sources, with the added energy-saving benefits of LED technology.

The portfolio offers the most comprehensive assortment of LED-based lamps in the industry including PAR, MR, AR and decorative lamps. Acculamp delivers specification-grade performance in a beautiful, unobtrusive design.



APPLICATIONS

RETAIL

The product portfolio includes a PAR 38 with a high R9 value of 75, resulting in enhanced red tones. It is ideal in applications that highlight color tones in grocery, apparel and merchandise displays.

HOSPITALITY

Acculamp offers multiple correlated color temperatures (CCT) including 2700K. This warm white color promotes the feel of the traditional lamp source, making your environment feel more like home.

GALLERY

The MR 16 selection of LED lamps is a perfect solution for enhancing and protecting priceless art and valuable antiques. Acculamp LED lamps do not emit harmful UV or IR rays.

RESTAURANT

Illuminate your focal point from as far as 30 feet with precise center-beam candlepower (up to 16,000 candela) and multiple beam spreads. Engineered with the specifier in mind, these lamps provide the look, performance and confidence to meet the needs of the most demanding applications.

RESIDENTIAL

The candle lamps have frosted or clear glass shaped to look like their traditional incandescent counterparts.

www.acculamp.com

- Spec Sheets
- Latest News
- Sales/Marketing Resources



ORDERING INFORMATION

Catalog Number	UPC	Base Type	Beam Angle	Watts	Lumens	CBCP	Voltage	Efficacy	CRI	Dimmable	Lifetime (hrs)	Energy Star	Replaces	Standard
													Up To (INC)	Pallet Qty.

BR Lamps



ALEBR20 500L DIM M12	753573986119	E26	-	8W	500	-	120	62.5	80	Y	50,000	N	50W	1056	12
ALEBR30 850L DIM M12	753573986201	E26	-	12W	850	-	120	70.8	80	Y	50,000	N	75W	648	12

MR 16



ALSMR16 140L 40K M60	784231585184	GU5.3	24	4	140	650	12	35	80	N	50,000	Y	20W	2160	60
ALSMR16 140L M60	784231355893	GU5.3	24	4	140	650	12	35	80	N	50,000	Y	20W	2160	60
ALSMR16 240L 36 40K M60	753573119487	GU5.3	36	6	240	650	12	40	85	N	50,000	N	35W	2160	60
ALSMR16 240L 36 M60	753573119319	GU5.3	36	6	240	650	12	40	82	N	50,000	N	35W	2160	60
ALSMR16 240L 40K M60	784231585207	GU5.3	24	6	240	1300	12	40	85	N	50,000	N	35W	2160	60
ALSMR16 240L M60	784231355916	GU5.3	24	6	240	1300	12	40	82	N	50,000	N	35W	2160	60
ALSMR16 400L DIM M60	784231650738	GU 5.3	24	8W	400	1600	120	50	82	Y	50,000	N	50W	2160	60
ALSMR16 400L 40K DIM M60	784231650769	GU 5.3	24	8W	400	1600	120	50	82	Y	50,000	N	50W	2160	60
ALSMR16 400L 36 DIM M60	784231650776	GU 5.3	36	8W	400	800	120	50	82	Y	50,000	N	50W	2160	60
ALSMR16 400L 36 40K DIM M60	753573899846	GU 5.3	36	8W	400	800	120	50	82	Y	50,000	N	50W	2160	60

PAR 16



ALSP16 320L 40K M60	784231585351	GU10	35	7	320	700	110-120	45.71	85	N	50,000	N	35W	2160	60
ALSP16 320L M60	784231542033	GU10	35	7	320	700	110-120	45.71	82	N	50,000	N	35W	2160	60

PAR 20



ALSP20 480L 40K DIM M60	784231650875	E26	30	8	480	1400	110-120	60	85	Y	50,000	Y	50W	720	60
ALSP20 480L DIM M60	784231650844	E26	30	8	480	1400	110-120	60	82	Y	50,000	Y	50W	720	60
ALSP20 530L 45 40K DIM M60	753573119609	E26	45	8	530	650	110-120	66.25	85	Y	50,000	Y	50W	720	60
ALSP20 530L 45 DIM M60	753573119562	E26	45	8	530	650	110-120	66.25	82	Y	50,000	Y	50W	720	60

PAR 30



ALSP30 530L DIM M24	784231650912	E26	25	15	530	3200	110-120	35.33	82	Y	50,000	N	75W	432	24
ALSP30 530L 40K DIM M24	784231650943	E26	25	15	530	3200	110-120	35.33	85	Y	50,000	N	75W	432	24

PAR 30S



ALSP30S 500L 40K DIM M24	753573119715	E26	25	11	500	2000	110-120	50	85	Y	50,000	Y	60W	432	24
ALSP30S 500L DIM M24	753573119678	E26	25	11	500	2000	110-120	50	82	Y	50,000	Y	60W	432	24

ORDERING INFORMATION

Catalog Number	UPC	Base Type	Beam Angle	Watts	Lumens	CBCP	Voltage	Efficacy	CRI	Dimmable	Lifetime (hrs)	Energy Star	Replaces	Standard
													Up To (INC)	Pallet Qty.

PAR 38



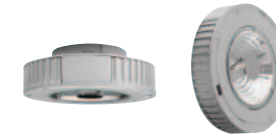
ALSP38 1200L 40K DIM M24	784231650998	E26	25	20	1200	6800	110-120	60	85	Y	50,000	Y	25W (MH)	288	24
ALSP38 1200L 45 40K DIM M24	753573119289	E26	45	20	1200	2200	110-120	60	85	Y	50,000	Y	25W (MH)	288	24
ALSP38 1200L 45 DIM M24	753573119227	E26	45	20	1200	2200	110-120	60	82	Y	50,000	Y	25W (MH)	288	24
ALSP38 1200L DIM M24	784231650950	E26	25	20	1200	6800	110-120	60	82	Y	50,000	Y	25W (MH)	288	24
ALSP38 900L 40K R9 M24	784231585597	E26	25	20	900	5000	110-120	45	94/R9:>75	N	50,000	Y	25W (MH)	288	24
ALSP38 900L R9 M24	784231585603	E26	25	20	900	5000	110-120	45	94/R9:>75	N	50,000	Y	25W (MH)	288	24
ALSP38 2000L DIM M24	753573899808	E26	24	25W	2000	9000	120	80	80	Y	50,000	N	150W	288	24
ALSP38 2000L 45 DIM M24	753573899822	E26	45	25W	2000	3000	120	80	80	Y	50,000	N	150W	288	24
ALSP38 2000L 40K DIM M24	753573899815	E26	24	25W	2000	9000	120	80	80	Y	50,000	N	150W	288	24
ALSP38 2000L 45 40K DIM M24	753573899839	E26	45	25W	2000	3000	120	80	80	Y	50,000	N	150W	288	24

AR 111



ALSAR111 450L 40K G53 R9 M24	784231979969	G53	8	11	450	12000	12	40.91	85	N	50,000	N	50W	672	24
ALSAR111 450L 40K M24	784231584903	GU10	8	15	450	16000	110-120	30	85	N	50,000	N	50W	672	24
ALSAR111 450L G53 R9 M24	784231979907	G53	8	11	450	12000	12	40.91	94/R9:>75	N	50,000	N	50W	672	24
ALSAR111 450L M24	784231355978	GU10	8	15	450	16000	110-120	30	82	N	50,000	N	50W	672	24
ALSAR111 530L 40K G53 R9 M24	784231979983	G53	24	11	530	3600	12	48.18	85	N	50,000	N	50W	672	24
ALSAR111 530L 40K M24	784231584927	GU10	24	15	530	3600	110-120	35.33	85	N	50,000	N	50W	432	24
ALSAR111 530L G53 R9 M24	784231979938	G53	24	11	530	3600	12	48.18	94/R9:>75	N	50,000	N	50W	672	24
ALSAR111 530L M24	784231355923	GU10	24	15	530	3600	110-120	35.33	82	N	50,000	N	50W	432	24
ALSAR111 570L 40K G53 R9 M24	784231979990	G53	45	11	570	1400	12	51.82	94/R9:>75	N	50,000	N	50W	672	24
ALSAR111 570L 40K M24	784231584934	GU10	45	15	570	1400	110-120	38	85	N	50,000	N	50W	432	24
ALSAR111 570L G53 R9 M24	784231979952	G53	45	11	570	1400	12	51.82	94/R9:>75	N	50,000	N	50W	672	24
ALSAR111 570L M24	784231355961	GU10	45	15	570	1400	110-120	38	82	N	50,000	N	50W	432	24

GX 53



ALSGX53 350L 30 40K M60	753573787723	GX53	30	5	350	850	110-120	70	85	N	50,000	N	n/a	2160	60
ALSGX53 350L 30 M60	753573098430	GX53	30	5	350	850	110-120	70	82	N	50,000	N	n/a	2160	60
ALSGX53 350L 60 40K M60	75357370328	GX53	60	5	350	350	110-120	70	85	N	50,000	N	n/a	2160	60
ALSGX53 350L 60 M60	753573098447	GX53	60	5	350	350	110-120	70	82	N	50,000	N	n/a	2160	60

A Lamps



ALGP 250L DIM M60	753573180340	E26	n/a	5	250	n/a	110-120	50	80	Y	50,000	Y	30W	720	60
ALGP 420L DIM M60	753573180357	E26	n/a	8	420	n/a	110-120	52.5	80	Y	50,000	Y	40W	720	60
ALGP 620L DIM M60	753573180371	E26	n/a	11	620	n/a	110-120	56.36	80	Y	50,000	Y	50W	720	60

Candle Lamps



ALCND 250L CSG DIM M60	753573180319	E12	n/a	5	250	n/a	110-120	50	80	Y	50,000	Y	35w	720	60
ALCND 250L FSG DIM M60	753573180326	E12	n/a	5	250	n/a	110-120	50	80	Y	50,000	Y	35w	720	60

CONTROLS



Wall Switch
Sensors

Low Voltage

Power Packs

Line Voltage

Photocontrols

Timer Switches

CONTROLS **sensorswitch**



BETTER PERFORMANCE THROUGH ADVANCED TECHNOLOGY

Since 1987, Sensor Switch has been the industry leader in lighting controls innovation, focusing on engineering products that cost-effectively deliver energy efficiency, as well as convenience. Our occupancy sensors and controllers utilize advanced detection technology with the added advantage of being simple to install and easy to use.



WSD



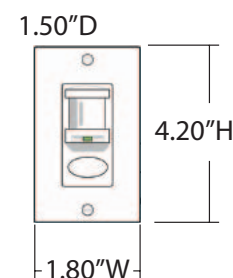
FEATURES

- No neutral required/no minimum load (even for dual technology)
- Mounting strap provides redundant grounding
- Reversible line and load connections (impossible to wire backwards)
- All-digital push-button programming; settings include Time Delay, Auto On or Manual On or Enable/Disable Switch
- Adjust all WSD series settings without removing wall plate or using tools
- WSD Series: 800W/1200W at 120/277 VAC detects hand motions to 20 ft.

ORDERING INFORMATION

Catalog Number	UPC	Description	Pallet Qty.	Standard Carton Qty.
WSD WH	745975809714	Wall Switch Decorator Sensor - Passive Infrared (PIR): White	1728	1
WSD PDT WH	745975810048	Wall Switch Decorator Sensor - Dual Technology (PDT): White	1728	1
WSD 2P WH	745975809981	Wall Switch Decorator Sensor - Passive Infrared (PIR), 2-Pole: White	1728	1
WSD PDT 2P WH	745975810086	Wall Switch Decorator Sensor - Dual Technology (PDT), 2-Pole: White	1728	1
WSD IV	745975809684	Wall Switch Decorator Sensor - Passive Infrared (PIR): Ivory	1728	1
WSD PDT IV	745975809998	Wall Switch Decorator Sensor - Dual Technology (PDT): Ivory	1728	1
WSD 2P IV	745975809974	Wall Switch Decorator Sensor - Passive Infrared (PIR), 2-Pole: Ivory	1728	1
WSD PDT 2P IV	745975810024	Wall Switch Decorator Sensor - Dual Technology (PDT), 2-Pole: Ivory	1728	1

DIMENSIONS



FEATURES

- Ideal for spaces requiring multiple sensors
- No sensitivity adjustments required – install and forget
- Simple push-button time delay adjustment requires no tools
- Utilizes power pack (PP20/MP20) to switch entire circuit
- Convenient mounting without junction boxes
- Ceiling enclosure mounts directly to ceiling tiles and wide view enclosure mounts in a corner



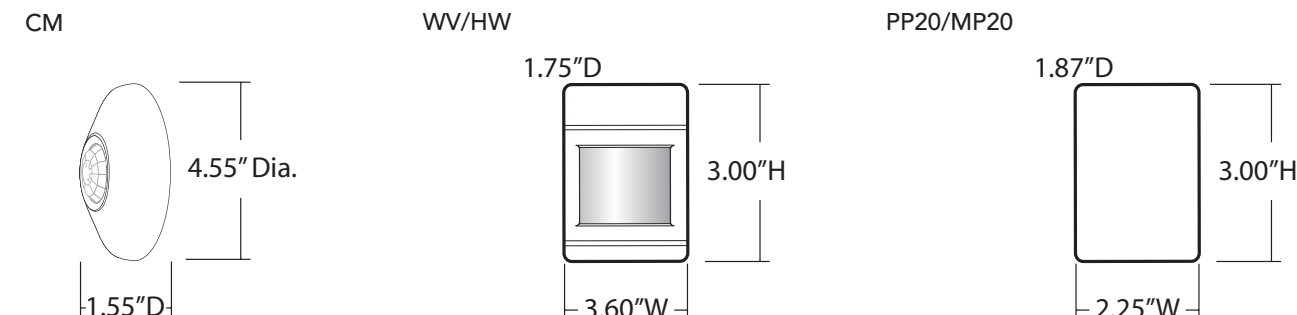
CM/WV/HW PP20/MP20



ORDERING INFORMATION

Catalog Number	UPC	Description	Pallet Qty.	Standard Carton Qty.
CM 9	745975808304	Standard Range 360° Sensor - Ceiling Mount, Low Voltage, Passive Infrared (PIR)	1200	1
CM PDT 9	745975808229	Standard Range 360° Sensor - Ceiling Mount, Low Voltage, Dual Technology (PDT)	1200	1
CM 10	745975808335	Extended Range 360° Sensor - Ceiling Mount, Low Voltage, Passive Infrared (PIR)	1200	1
CM PDT 10	745975808243	Extended Range 360° Sensor - Ceiling Mount, Low Voltage, Dual Technology (PDT)	1200	1
WV 16	745975810093	Wide View Sensor - Corner Mount, Low Voltage, Passive Infrared (PIR)	1500	1
WV PDT 16	745975810116	Wide View Sensor - Corner Mount, Low Voltage, Dual Technology (PDT)	1500	1
HW13	745975809561	Hallway - Wall Mount, Low Voltage, Passive Infrared (PIR)	1500	1
MP20	745975809585	Mini Power Pack	1400	1
PP20	745975809592	Power Pack - Relay Circuit Protection	1400	1

DIMENSIONS



CMR/CMRB/HMRB

FEATURES

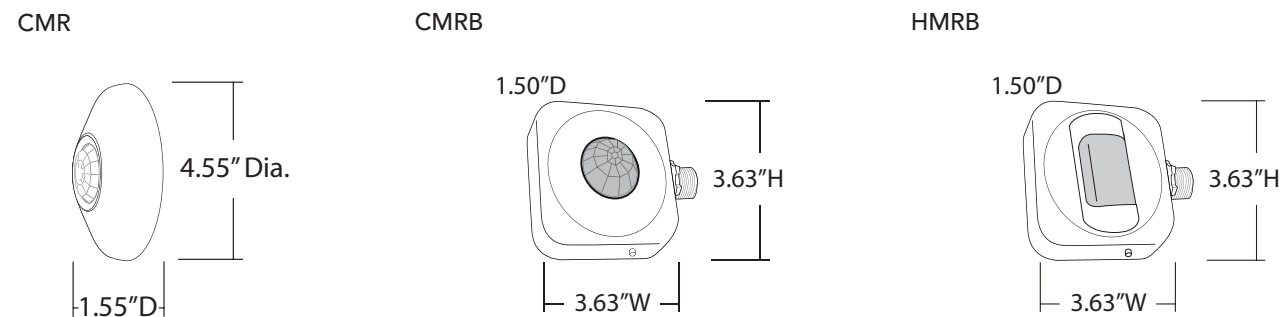
- Great for retrofit projects; no power packs required
- Integrated relay(s) saves time and costs
- Reversible line and load connections (impossible to wire backwards)
- Convenient for inaccessible/hard ceiling applications
- Simple installation with versions available that mount to 3½" octagon and handy boxes or direct to a fixture through ½" knockout
- Two-pole versions of all line voltage sensors also available (consult full Sensor Switch catalog)



ORDERING INFORMATION

Catalog Number	UPC	Description	Pallet Qty.	Standard Carton Qty.
CMR 9	745975808281	Standard Range 360° Sensor - Ceiling Mount, Line Voltage, Passive Infrared (PIR)	1200	1
CMR PDT 9	745975809448	Standard Range 360° Sensor - Ceiling Mount, Line Voltage, Dual Technology (PDT)	1200	1
CMR 10	745975808250	Extended Range 360° Sensor - Ceiling Mount, Line Voltage, Passive Infrared (PIR)	1200	1
CMR PDT 10	745975809530	Extended Range 360° Sensor - Ceiling Mount, Line Voltage, Dual Technology (PDT)	1200	1
CMRB 6	745975808359	High Bay 360° Sensor - Fixture Mount, Line Voltage, Passive Infrared (PIR)	1200	1
CMRB 50	745975808380	High Bay Aisleway Sensor - Fixture Mount, Line Voltage, Passive Infrared (PIR)	1200	1
HMRB 10	745975866625	High Bay End of Aisle Sensor - Fixture Mount, Line Voltage, Passive Infrared (PIR)	1728	1

DIMENSIONS



FEATURES

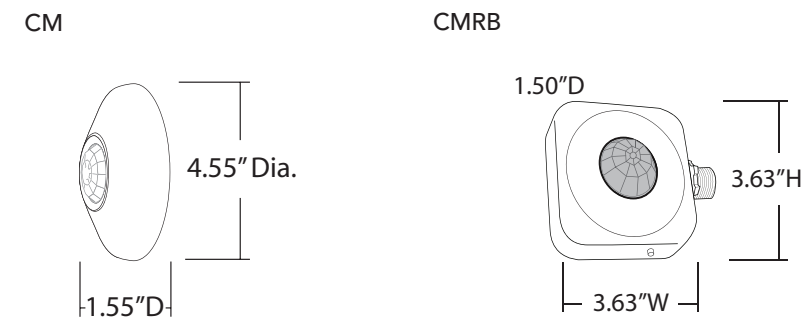
- Ideal for public spaces with windows like vestibules, corridors or bathrooms
- Self-calibrating – capable of finding optimum set-point
- Easy to apply – deploy standalone or combine with occupancy sensors
- Available in low or line voltage and in several enclosures
- Sensors are powered with 12 to 24 VAC/VDC and typically operate with a PP20 or MP20 Power Pack



ORDERING INFORMATION

Catalog Number	UPC	Description	Pallet Qty.	Standard Carton Qty.
CM PC	745975860241	On/Off Photocell - Ceiling Mount, Low Voltage	1200	1
CMRB PC	745975863952	On/Off Photocell - Fixture Mount, Line Voltage	1200	1

DIMENSIONS



Daylighting Control Sensors

CM/CMRB



FEATURES

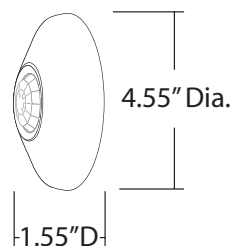
- Provide continuous control of dimmable ballasts for day light harvesting applications
- Self-calibrating – capable of finding optimum set-point
- Inhibit only, on/off, stepped dimming and 0-10 VDC dimming varieties (consult full Sensor Switch catalog)
- All units are powered by 12 to 24 VAC/VDC
- Available in low or line voltage

ORDERING INFORMATION

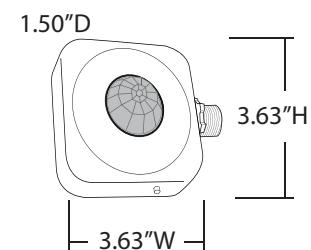
Catalog Number	UPC	Description	Pallet Qty.	Standard Carton Qty.
CM ADC	745975859337	Automatic Dimming Control Photocell - Ceiling Mount, Low Voltage	1200	1
CM PC ADC	745975860364	Combination On/Off & Automatic Dimming Control Photocell - Ceiling Mount, Low Voltage	1200	1
CMRB ADC	745975863921	Automatic Dimming Control Photocell - Fixture Mount, Line Voltage	1200	1
CMRB PC ADC	745975864126	Combination On/Off & Automatic Dimming Control Photocell - Fixture Mount, Line Voltage	1200	1

DIMENSIONS

CM



CMRB



Programmable Timer Switches

PTS 60/PTS 720



FEATURES

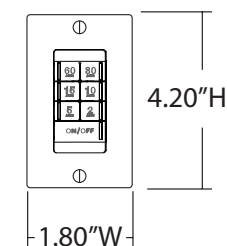
- Lighting control alternative to wall switch occupancy sensors
- Intended to switch a line voltage lighting load or small motor load
- Elegant, decorator style wall switches provide 6 preset timer selections as well as an on/off push-button
- Powered from 120/277V VAC
- No neutral required making them ideal for retrofit applications

ORDERING INFORMATION

Catalog Number	UPC	Description	Pallet Qty.	Standard Carton Qty.
PTS 60 WH	784231457870	Electronic Automatic Shut-off Timer Switch, 60 Minute Maximum, Line Voltage: White	1728	1
PTS 60 IV	784231531563	Electronic Automatic Shut-off Timer Switch, 60 Minute Maximum, Line Voltage: Ivory	1728	1
PTS 720 WH	784231457962	Electronic Automatic Shut-off Timer Switch, 12 Hour Maximum, Line Voltage: White	1728	1
PTS 720 IV	784231531594	Electronic Automatic Shut-off Timer Switch, 12 Hour Maximum, Line Voltage: Ivory	1728	1

DIMENSIONS

PTS 60/ PTS 720

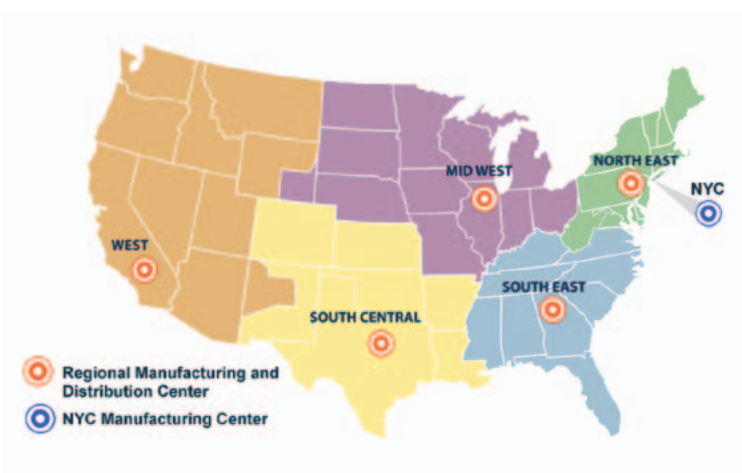


ACUITY BRANDS TOOLS



Product when you need it from Acuity Brands. You can count on it.

Acuity Brands is pleased to offer you the most comprehensive Quick Shipment offering in the business. Through a combination of local stock, local assembled product and local manufactured-to-order product, we have the products to meet your customers' needs.



Regional Distribution & Manufacturing

- For items stocked in the Distribution Center, product is available for will call or shipment same day or next day
- For items produced in the Regional Manufacturing Center, product will ship within 48 hours from receipt of order depending on quantity

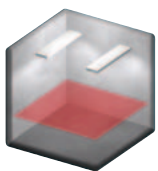
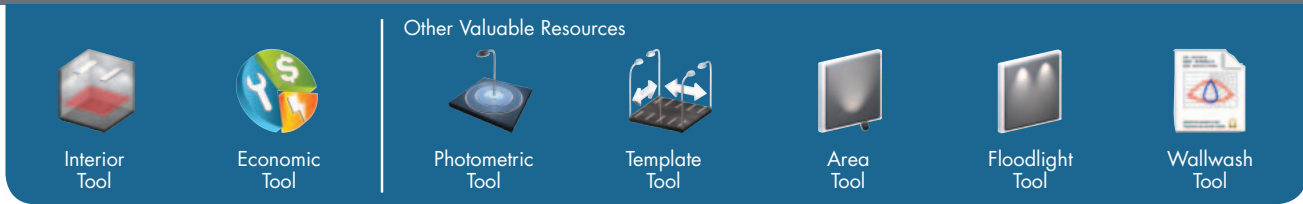
www.acuitybrands.com/quickship



Utilize the **Acuity Distributor Center** to enhance your ease of doing business with Acuity Brands! You can do the following, plus more:

- View Order Status
- Submit Freight Claims
- View Credit Memos
- View Invoices
- View Product Availability
- Experience Mobile Capability
- Stay Up-to-Date on the Latest Product & Marketing Announcements

Visit www.lithoniadistributorcenter.com to get started today!



Visual Interior Tool™

WHY USE THE TOOL?

Take the guesswork out of creating a lighting layout plan. The Visual Basic tool is a web-based tool that was built to allow you to view the photometric report of a luminaire and compare photometry files. Educate and assist the contractor with his or her job to maximize the lighting potential in the space!



BENEFITS

Based on your job size, this awesome resource will let you know how many fixtures you will need to provide enough light to your environment. Save time, save money, and save energy by supplying the light you need and not wasting the light you don't.

IT'S AS EASY AS 1, 2, 3

1. Pick Your Product
2. Generate Photometric Report
3. Create a Lighting Layout



Visual Economic Tool™

WHY USE THE TOOL?

The Visual Economic Tool allows users to develop realistic costs over the lifetime of a lighting system, offering a more meaningful business evaluation than simple payback calculators.



BENEFITS

CALCULATE

- Perform simple energy-only simple payback estimates or create estimates that include maintenance, controls, or HVA

CHOOSE

- Choose products from the entire Acuity Brands indoor and outdoor lighting products portfolio
- The tool will also accept non-Acuity Brands lighting product data

COLLABORATE

- Save time and promote consistency by loading data from the Visual Economic Tool into Visual's other design tool

CONCLUDE

- Data presented in vivid, easy-to-follow charts

COMPARE

- Compare using various lighting controls methods and common light sources



Don't stop at Simple Payback - start comparing total Life Cycle Cost for your designs!
<http://www.visual-3d.com/software/designtools.aspx>

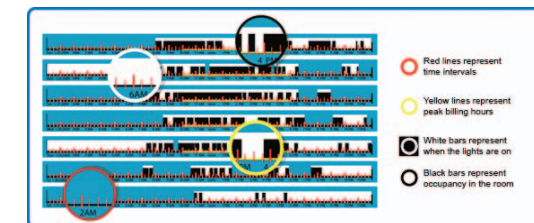
Data Logger Monitoring System

About

The Data Logger tool enables performance contractors, lighting retrofitters, and facility managers to calculate the potential Return on Investment (ROI) and Payback from an occupancy sensor project.



- Data Logger units record activity of a building's lighting as well as its occupants
- Data Logger software analyzes information and generates customized reports
- Data is presented in "Lights On vs. Occupancy" timeline
- Customized reports quantify potential energy savings from occupancy sensor projects
- Use of system is provided to qualified customers at no charge



Energy Savings Analysis

The Data Loggers are downloaded into sophisticated software that analyzes the data and generates customized reports

- Each Data Logger is assigned an Area Type
- Software averages information from Data Loggers of similar Area Types
- "Lights On vs. Occupancy" activity per area presented in 24 hour timelines
- Total energy usage calculated from user entered lighting loads
- User adjustable "virtual" occupancy sensor time delay settings
- Analysis of Savings vs. Time Delay Setting on sensors

Area Type	City	Watts	Peak	Normalized Weekly Lights On				Normalized Weekly Occupied				% sav	
				Off	On	Start	End	Peak	Off	Start	End		
Private Office	PH	320	24.88	25.87	0.00	0.00	47.36	22.75	3.61	0.00	0.00	26.77	43.79%
Meeting Room	MR	1387	33.75	59.57	0.00	0.00	92.88	21.86	22.14	0.00	0.00	44.69	52.53%
Open Space	OS	27	15980	39.99	20.46	0.00	0.00	119.44	29.95	45.12	0.00	25.99	22.96%
Reception	R	273	29.52	87.89	0.00	0.00	114.18	25.93	12.69	0.00	0.00	28.99	47.28%
Storage	S	242	5.23	15.52	0.00	0.00	29.95	6.79	7.27	0.00	0.00	6.64	61.45%
Wallwash	W	880	28.62	88.08	0.00	0.00	137.29	28.32	22.66	0.00	0.00	53.98	68.82%
Building Average		29890	37.99	68.87	0.00	0.00	106.66	35.00	39.59	0.00	0.00	22.67	21.06%

www.sensorswitch.com/DataLogger



RENOVATION APPLICATION GUIDE



LOOK UP...LOOK AROUND FOR LIGHTING RENOVATION OPPORTUNITIES

The demand for renovation solutions is growing now more than ever – renovation opportunities now represent more than 40% of the US Lighting Market. The following guide will aid you in identifying renovation opportunities by enabling you to recommend energy efficient replacement solutions.

This guide is broken out by application, and within each application, you'll notice that we're recommending lighting solutions that are intended to save time and money.

WHEN IDENTIFYING A SPACE, THINK ABOUT THESE KEY QUESTIONS:

WHAT DO YOU LOOK FOR?

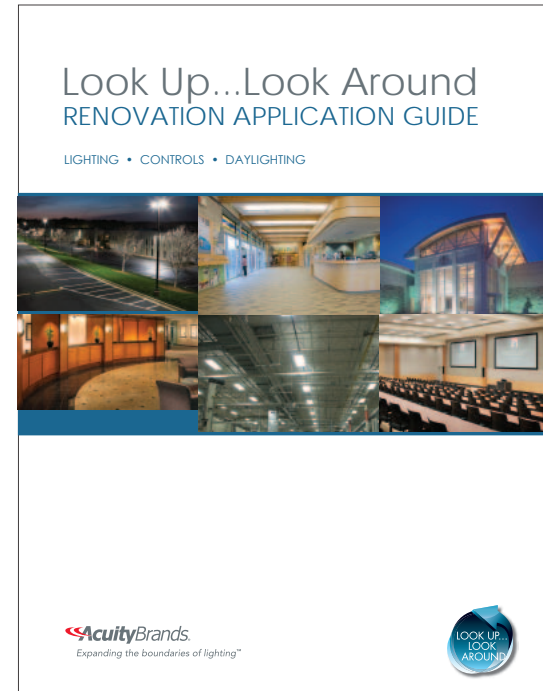
- Outdated T12 or T8 fluorescent parabolics, troffers or strips
- Incandescent emergency or downlighting fixtures
- Metal halide or high pressure sodium HID or outdoor fixtures
- Areas where lighting is on continuously but not needed (i.e. no lighting controls)

WHAT DO YOU ASK?

- How old are your existing fixtures?
- Are you looking to save on energy and maintenance costs?
- Are you satisfied with existing light levels?
- Are you looking for any safety upgrades?

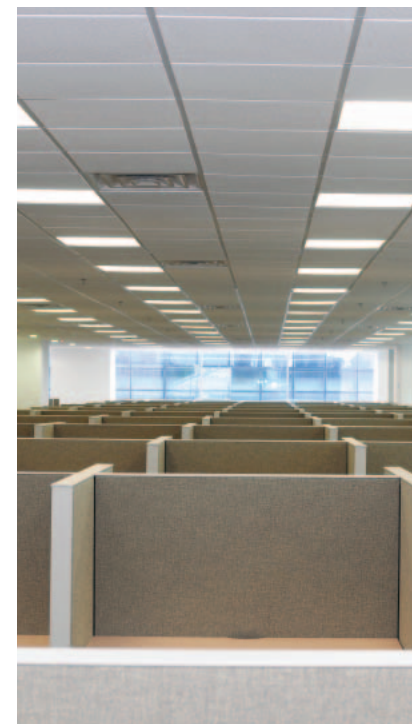
WHAT DO YOU SUGGEST?

- Lighting and controls solutions from Acuity Brands



SOLUTIONS FOR EVERY APPLICATION

- Commercial
- Industrial
- Food Processing & Cold Storage
- Multi-family
- Parking Structures
- Hospitality
- Healthcare
- Education
- Correctional Facilities & Rough Service
- Retail








RENOVATION APPLICATION GUIDE



WAREHOUSE, GYMNASIUM, MANUFACTURING FACILITY

WHAT DO YOU SEE?	WHAT DO YOU ASK?	WHAT DO YOU SUGGEST?	BENEFITS
 <p>Metal Halide High Bays</p>	<ul style="list-style-type: none"> How old are your existing fixtures? What lamp/ballast do they use? Are you satisfied with existing light levels? Would you like to cut energy costs, maximize your budget & improve lighting quality? 	<p>BETTER: IBZ - Fluorescent High Bay</p> <p>T8</p>  <p>BEST: IBL - LED High Bay</p> <p>LED</p> 	<ul style="list-style-type: none"> Energy savings of 25% or more Improved vertical and horizontal illumination Light comes back on immediately after power outage <hr/> <ul style="list-style-type: none"> Energy savings \$76/year per IB LED 24L with sensors vs existing 6 lamp T5HO L70 at greater than 100,000 hours life -40°C to 55°C ambient standard Dimming standard <p>Add occupancy sensors from Sensor Switch® for added savings</p>

OFFICE, CONFERENCE ROOM, COMMON AREA

WHAT DO YOU SEE?	WHAT DO YOU ASK?	WHAT DO YOU SUGGEST?	BENEFITS
 <p>T12 Troffers</p>	<ul style="list-style-type: none"> How old are your existing fixtures? What lamp/ballasts do they use? Are you satisfied with existing light levels? Would you like to cut energy costs, maximize your budget & improve lighting quality? 	<p>BETTER: GT8 - T8 Fluorescent Troffer</p> <p>T8</p>  <p>BEST: GTL LED - Lay-in Troffer</p> <p>LED</p> 	<ul style="list-style-type: none"> 20% more efficient than T12 Designed for use with electronic ballasts <hr/> <ul style="list-style-type: none"> 25% more efficient than T8 Reduce energy consumption and maintenance costs with LEDs Rated L80 for 50,000 hours Full-range dimming with 0-10V dimmer switch Matte white lens reduces glare while creating architectural interest

HOSPITALITY, MULTI-FAMILY, & RESIDENTIAL

WHAT DO YOU SEE?	WHAT DO YOU ASK?	WHAT DO YOU SUGGEST?	BENEFITS
 <p>Incandescent Recessed Downlighting</p>	<ul style="list-style-type: none"> What type of recessed replacement lamps do you use? How often do you have to replace lamps? Are you interested in cutting energy costs and improving your maintenance costs? 	<p>BETTER: Acculamp LED Lamps</p> <p>LED</p>  <p>BEST: P Series LED Module</p> <p>LED</p> 	<ul style="list-style-type: none"> Energy savings up to 80% Lower maintenance and relamping costs Extended life, up to 50,000 hours <hr/> <ul style="list-style-type: none"> Easily installs in any existing incandescent housing - perfect for remodeling Integrated LEDs and trim create an improved lighting experience White lens hides the LEDs and reduces glare

OUTDOOR SECURITY & GENERAL PURPOSE

WHAT DO YOU SEE?	WHAT DO YOU ASK?	WHAT DO YOU SUGGEST?	BENEFITS
 <p>Incandescent PAR Holders</p>	<ul style="list-style-type: none"> How old are your existing fixtures? How often do you have to replace lamp? Are you satisfied with existing light levels? Can light output & color temperature be improved? 	<p>BEST: OFLR LED Floods</p> <p>LED</p> 	<ul style="list-style-type: none"> Energy savings up to 78% 50,000 hour maintenance-free operation Adjustable 180° motion sensor with built-in photocell provides added security Bright, even illumination
 <p>High Pressure Sodium Area Lights</p>		<p>BEST: OLW 23 LED Area/Wall Light</p> <p>LED</p> 	<ul style="list-style-type: none"> Save energy - 64 lumens per watt Integrated design directs light where it is needed Higher lumen output means more mounting heights - up to 15'

Acrylic Compatibility Table

Certain chemicals that may exist in end-user locations release airborne contaminants that can impact the integrity and safety of key fixture components that contain acrylic material. Immediate damage may occur such as crazing, cracking, permeation losses and mechanical failure. Products with visually noticeable deterioration have diminished integrity and must be replaced immediately with a more suitable product for the application.

This table identifies the most common chemicals and is not intended to be all-inclusive. Exposure to compounds identified as "Not Acceptable" will void all warranties associated with the product. Acrylic components should not be used in areas where these chemicals are used and where these chemicals become mists or airborne vapors. Ensure that chemical interactions are considered when selecting fixtures. For additional information please consult an authorized factory representative.

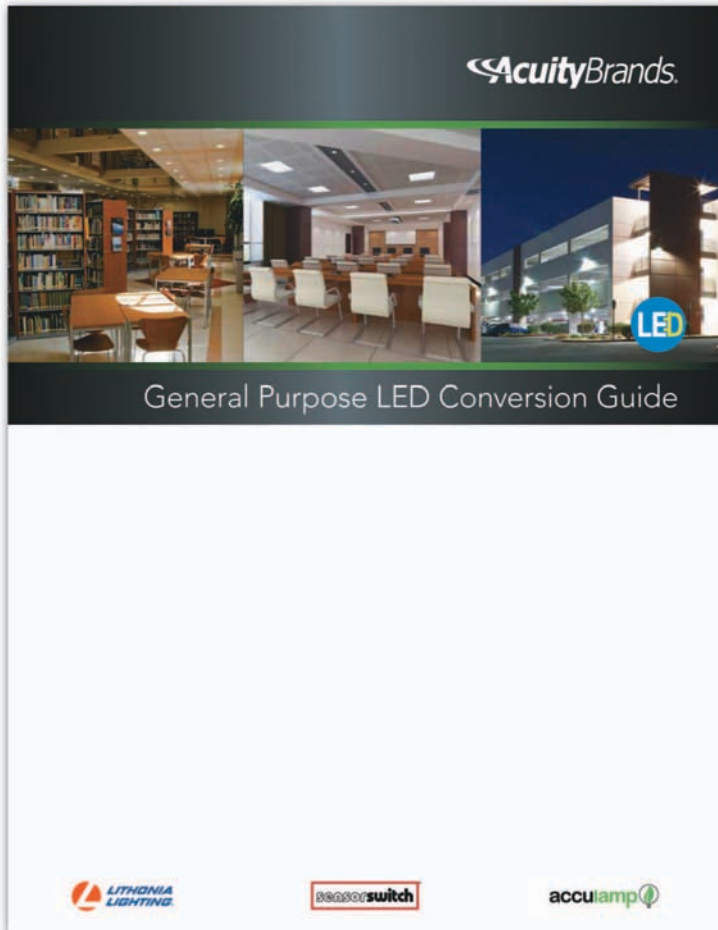
NOT ACCEPTABLE		ACCEPTABLE	
Acetaldehyde, 100%	Dibutyl Sebacate	Petroleum Ether (100-120C)	2-Ethylhexyl Sebacate
Acetates	Diethyl Ether	Phenois	Acetic Acid 5%
Acetic Acid, Glacial, 100%	Dimethyl Formamide	Phenol, Aqueous, 5%	Ammonia-based Cleaners
Acetic Anhydride	Dioctyl Sebacate	Phosphoric Acid, 95% @ 20C	Ammonia Gas
Acetone	Dioxane	Phthalates	Ammonium Hydroxide, 28%
Acetonitrile	Ether	Pyridine	Ammonium Nitrate
Acetophenone	Ethyl Acetate	Sodium Carbonate, 2%	Ammonium Phosphate
Acrylic Paints	Ethyl Alcohol, Concentrated	Sodium Carbonate, 20%	Aniseed, Bay Leaves, Nutmeg
Alcohol, Allyl	Ethyl Bromide	Sodium Phosphate	Anti-freeze
Alcohol, Amyl	Ethyl Butyrate	Sulfur Dioxide, Liquid	Beer
Alcohol, Benzyl	Ethylene Bromide	Sulfuric Acid, 98%	Bleaching Power Paste
Alcohol, Ethyl, 100%	Ethylene Dibromide	Sulfurous Acid, Concentrated	Bleaching Powder Solution, 2%
Alcohol, Ethyl, 50%	Ethylene Oxide (Moist)	Tincture of Iodine, 5%	Calcium Hypochlorite
Alcohol, Isopropyl, 100%	Glass Cleaners	Toluene	Car Wash Detergent
Alcohol, Methyl, 10%	Glycol	Transformer Oil	Carbon Dioxide Gas
Alcohol, Methyl, 100%	Hydrogen Peroxide, 28%	Trichloroethane	Carbon Monoxide Gas
Alcohol, Methyl, 50%	Hydrogen Peroxide, 3%	Trichloroacetic Acid	Caustic Potash
Alcohol, N-Butyl	Iron Perchloride	Trichloroethylene	Chlorine Based Cleaners
Amyl Acetate	Isocane	Unleaded Gasoline	Chlorine, Aqueous, 2%
Aniline	Isopropyl Alcohol	Vegetable Oil	Citric Acid, 10%
Aviation Fuel (100 Octane)	Lacquer Thinner	Xylene	Coffee
Benzaldehyde	Lactic Acid Butyl Ester		Cooking Oil
Benzene	Mercury Chloride		Cottonseed Oil
Benzoic Aldehyde	Meta-Cresol		Diethylene Glycol
Brake Fluid	Methanol, 15%		Epoxy Adhesives
Bromine Gas	Methanol, Concentrated		Ethyl Alcohol, 15%
Butanol	Methyl Benzoate		Ethylene Glycol E
Butraldehyde	Methyl Chloride		Ethylene Oxide (Dry)
Butyl Acetyl Ricinoleate	Methyl Cycohexanol		Ferric Chloride, Aqueous, 10%
Butyl Stearate	Methyl Ethyl Ketone		Formaldehyde, Aqueous, 40%
Carbolic Acid	Methyl Naphthalene		Fruit Juice
Carbon Disul de	Methyl Salicyclate		Glycerol
Carbon Disulfide	Methylamine		Heptane
Cellulose Paints	Methylene Dichloride		Hexane
Chlorinated Hydrocarbons	Mineral Oil		Hydrochloric Acid, 38%
Chlorinated Solvents	Motor Fuel Mixture, with Benzene		Kerosene
Chlorine Gas	Nail Polish		Lactic Acid
Chlorophenol	Naphtha		Metal Carbonates
Chromic Acid, 40%	N-Butyric Acid, 100%		Metal Chlorides
Cloves	Nitric Acid, 40%		Metal Sulfates
Cosmoline Removers	Nitric Acid, 70%		Methane Gas
Cresol	Nitrobenzene		Milk
Cyclohexane	N-Octane		Milk, Chocolate
Cyclohexanone	Organic Solvents		Motor Fuel Mixture, without Benzene
Cyclohexene	Paint Removers		Motor Oil
Detergent Solution	Paint Thinner		Natural Gas
Diacetone Alcohol	Perchlorthylene		Nitric Acid, 10%
Diamyl Phthalate			Nitrogen Dioxide Gas
			Nitrogen Monoxide Gas
			Olefic Carbolic Acids
			Oleic Acid
			Olive Oil
			Oxalic Acid, 100%
			Oxygen Gas
			Ozone Gas
			Paraffin, Medicinal
			Pepper, Cinnamon, Onions
			Phosphoric Acid, 10% @ 20C
			Photographic Baths
			Polishing Compounds
			Potassium Chlorate
			Potassium Cyanide
			Potassium Dichromate, 10%
			Potassium Hydroxide @ 20C
			Potassium Permanganate
			Potassium Sulfite
			Power Steering Fluid
			Propylene
			Pure-oil Paints
			Silicone Oil
			Silver Nitrate
			Soap Suds
			Soda
			Sodium Chloride, 10%
			Sodium Cyanide
			Sodium Fluoride
			Sodium Hydroxide, 60%
			Sodium Nitrate
			Sodium Thiosulphate, 40%
			Stearic Acid
			Sulfur Dioxide, Dry Gas
			Sulfuric Acid, 30%
			Sulfurous Acid, 5%
			Tararic Acid, 50%
			Transmission Fluid
			Tricresyl Phosphate
			Triethyl Amine
			Vinegar
			Water, Mineral Water
			Wax Polish
			White Spirit
			Whitewash
			Wine

The statements, technical information and recommendations obtained herein are believed to be accurate as of June 1, 2009. Since the conditions and methods of use of the product and of the information referred to herein are beyond our control, Acuity Brands Lighting expressly disclaims any and all liability. NO WARRANTY OF FITNESS FOR ANY PARTICULAR PURPOSE, WARRANTY OF MERCHANTABILITY OR ANY OTHER WARRANTY, EXPRESS OR IMPLIED, IS MADE CONCERNING THE GOODS DESCRIBED OR THE INFORMATION PROVIDED HEREIN. The user should thoroughly test any application before commercialization.

Description	Page #
Acculamp	136-139
Area Lighting	134-135
Basket Troffers.....	70
Battery Packs	47,119
Building Mounted	52-54, 126-131
Canopy Lighting.....	132
Ceiling Mount Utility	59
Commercial Downlighting	40-43, 106-109
Daylighting Control Sensors	146
Dusk-to-Dawn Sensors.....	123
Emergency Battery Packs.....	47, 119
Emergency Combos.....	46, 114, 116
Emergency Exits.....	45, 111-113
Emergency Remote Lamps.....	47, 118
Emergency Units.....	45, 115, 117
Enclosed Industrial.....	28-29
Energy-Saving, Louvered T8	73
Floodlighting	49-51, 121-125
Fluorescent High Bays	31, 94-95
General Purpose Industrial Strips	27, 91
General Purpose Strip Lights	22, 82
Heavy-Duty Industrial Strips	27, 91
HID High Bays	32, 96
HID Low Bays	33, 97
High and Low Bay Lighting	30-33, 93-97
I-BEAM Fluorescent High Bays.....	94-95
Industrial Strips.....	27, 91
LED Building Mounted	52, 126-129
LED Canopy Lighting	132
LED Ceiling Mount Utility	58
LED Downlighting Modules.....	35, 100-103
LED Emergency Combos and Units	45-46, 114-115
LED Enclosed Industrial	28
LED Floodlighting.....	49, 121-123

Description	Page #
LED Bay Lighting	30, 93
LED Products	6-13
LED Remote Lamps	118
LED Security Lighting	60, 133
LED Step Lights	55
LED Strip Lights.....	20
LED Troffers	17
LED Undercabinets	85-87
LED Utility Vapor Tights	56
LED Wraps	23
Lensed Troffers	18, 71
Line Voltage Sensors	144
Litepuff	78-79
Low Voltage Sensors	143
Motion Sensor Floodlighting.....	122
Motion Sensors	122-123
Parabolics.....	19, 72
Photocontrols.....	145
Power Packs	143
Relight	65
Remote Lamps	47, 118
Residential Downlighting.....	36-39, 104-105
Security Lighting.....	60-61, 133
Sensor Switch.....	140-147
Strip Lights.....	20-22, 82-84
Troffers.....	17-18, 68-71
Undercabinets.....	85-89
Utility Vapor Tights.....	56-57
Volumetric Lighting	66-68
Wall Brackets.....	81
Wall Switch Sensors	142
Wet Location Industrials.....	29, 92
Wraps.....	23-25, 74-75

Introducing the **NEW General Purpose LED Conversion Guide.**



In addition to reviewing the basics of LED, this quick reference guide and supplement to The Stock Guide provides the following information on the most commonly stocked LED products by Acuity Brands:

- Product Description with Photo
- Lumens
- Input Watts
- Replacement Range (references traditional sources)
- Color Temperature
- Listings (Energy Star®, DesignLights Consortium®)

Visit www.lithonia.com/thestockguide for more information.

AcuityBrands.