

# AMERICAN FITTINGS Corporation

Conduit Fittings • Flexible Cord • Rigid/IMC • Liquid Tight • EMT • Wire Mesh

**Demanding Conditions,  
Demand the Best.**

**SPEC-grade**



## Industrial Electrical Fittings

*Made in the USA Since 1946*

eCatalog Online Edition

**2014**

Better Products, Better Ideas  
Think AMERICAN

amftgs.com



# AMFICO

Made in the USA Since 1946

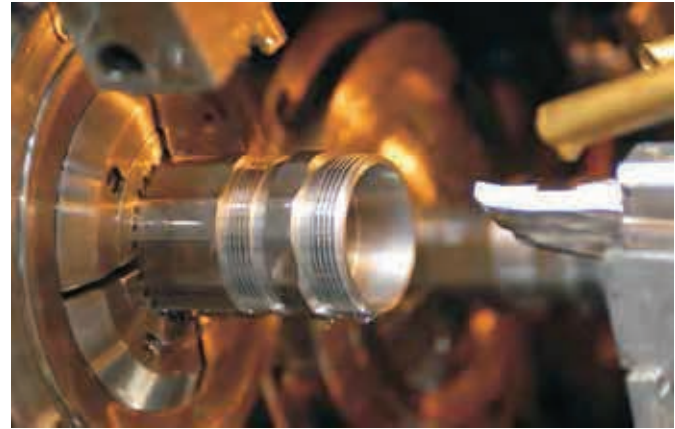
## Discover the AMFICO Advantage to Buying Solid Steel Machined US Manufactured Industrial SPEC-grade Fittings



We manufacture in New Jersey the finest and most cost effective electrical conduit fitting on the market. Solid USA steel and machined turned parts guarantee you faster installation and unique design characteristics not found in typical inferior die cast products. No other manufacturer world-wide can provide our superior product and integrity of manufacturing consistency. When it comes to electrical fittings consider the first name in American manufactured products, American Fittings Corp. sold exclusively through electrical distributors. For more information contact your local distributor or visit us online [www.amftgs.com](http://www.amftgs.com).

### Fully Automated Screw Machined Fittings

Hold conformity, tolerances, and quality that are not available in thin wall die cast products

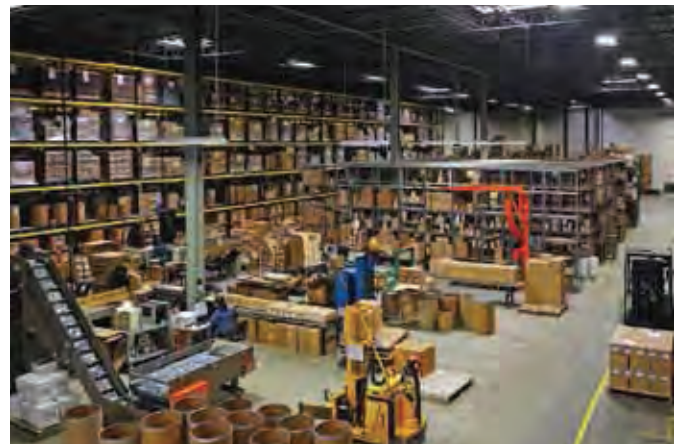


### World Class Machining Operations

The highlight of our 96,000 sq. ft. facility is our manufacturing and machining operations. It is our belief that no other manufacturer worldwide can provide the volume of solid steel fittings

### Main Warehouse in New Jersey

On time, service is our trademark, with 9 other strategic warehouses in the US and a national distribution channel, an AMFICO Made in US fitting is always available for your projects



**Better Products, Better Ideas  
Made in the USA Since 1946**

## AMERICAN FITTINGS Corporation

17-10 Willow Street, Fair Lawn NJ 07410 | t: 800.221.5268 | f: 201.664.1175 | [amftgs.com](http://amftgs.com)





Made in the USA Since 1946

## The SPECTRUM® System of Industrial Grade Colored Cord Grips

- Color coded grommet and sealing washer indicating cable diameter ranges
- Provides a UL liquid tight and strain relief termination for flexible type, neoprene, vinyl, or PVC control cord and cable
- Pocket size color-coded sizing chart included
- Includes UL & CSA listed conduit locknut



E96445

UL rated suitable for hazardous locations  
Class I, Div. 2; Class II, Div. 1 and 2;  
Class III, Div. 1 and 2; NEC 501-4(b), 505-4(a), 503-3(a)

## SPEC-grade



Featuring:  
**EZ-Torque Compression Nut**

## Straights Connectors

Cat. #	Color	Size	Cable Ranges		Unit Ctn	Std Pkg	WT/ 100
			Min.	Max.			
CG1	Red	1/2"	.150	.250	25	250	12
CG2	White	1/2"	.250	.350	25	250	12
CG3	Blue	1/2"	.350	.450	25	250	12
CG4	Green	1/2"	.450	.560	25	250	12
CG5	Brown	1/2"	.560	.650	25	250	12
CG6	Red	3/4"	.150	.250	10	100	16
CG7	White	3/4"	.250	.350	10	100	16
CG8	Blue	3/4"	.350	.450	10	100	16
CG9	Green	3/4"	.450	.560	10	100	16
CG10	Brown	3/4"	.560	.650	10	100	16
CG11	Yellow	3/4"	.650	.750	10	100	19
CG12	Purple	3/4"	.750	.850	10	100	19
CG13	Green	1"	.450	.560	5	50	28
CG14	Brown	1"	.560	.650	5	50	28
CG15	Yellow	1"	.650	.750	5	50	28
CG16	Purple	1"	.750	.850	5	50	8
CG17	Grey	1"	.850	.950	5	50	28
CG18	Black	1"	.950	1.050	5	50	28

Spectrum Cord Grips 1



Made in the USA Since 1946

## The SPECTRUM® System of Industrial Grade Colored Cord Grips

- Color coded grommet and sealing washer indicating cable diameter ranges
- Provides a UL liquid tight and strain relief termination for flexible type, neoprene, vinyl, or PVC control cord and cable
- Pocket size color-coded sizing chart included
- Includes UL & CSA listed conduit locknut



E96445

UL rated suitable for hazardous locations  
Class I, Div. 2; Class II, Div. 1 and 2;  
Class III, Div. 1 and 2; NEC 501-4(b), 505-4(a), 503-3(a)

## SPEC-grade



Featuring:  
**EZ-Torque Compression Nut**

## Straights Connectors

Cat. #	Color	Size	Cable Ranges		Unit Ctn	Std Pkg	WT/ 100
			Min.	Max.			
CG19	Purple	1-1/4"	.750	.850	5	25	48
CG20	Grey	1-1/4"	.850	.950	5	25	48
CG21	Black	1-1/4"	.950	1.050	5	25	48
CG22	Orange	1-1/4"	1.050	1.150	5	25	48
CG23	Red	1-1/4"	1.150	1.250	5	25	48
CG24	White	1-1/4"	1.250	1.375	5	25	48
CG25	Black	1-1/2"	.950	1.050	2	20	90
CG26	Orange	1-1/2"	1.050	1.150	2	20	90
CG27	Red	1-1/2"	1.150	1.250	2	20	90
CG28	White	1-1/2"	1.250	1.375	2	20	90
CG29	Blue	2"	1.500	1.380	20	70	70
CG30	Green	2"	1.630	1.500	20	70	70
CG31	Brown	2"	1.750	1.630	20	70	70
CG32	Purple	2"	1.880	1.750	20	70	70
CG33	Red	2"	1.380	1.250	20	100	100
CG34	Blue	2"	1.500	1.380	20	100	100
CG35	Green	2"	1.630	1.500	20	100	100
CG36	Brown	2"	1.750	1.630	20	100	100
CG37	Yellow	2"	1.810	1.690	20	100	100
CG38	Purple	2"	1.880	1.750	20	100	100
CG39	White	2"	1.940	1.810	20	100	100
CG40	Orange	2"	2.060	1.940	20	100	100

Spectrum Cord Grips 2





# AMERICAN FITTINGS Corporation

Made in the USA Since 1946

Industrial SPEC- grade<sup>TM</sup>  
Spectrum Color Coded  
Cord Grips  
1/2" to 2"

SPEC-*grade*<sup>TM</sup>

# SPECTRUM<sup>TM</sup>

## cordGRIP connectors

*Put a Little Color on Your Cords*

**EZ-TORQUE  
COMPRESSION NUT**  
Fully Machined  
Solid Steel or  
Aircraft Grade Aluminum  
Machine Cut Threads



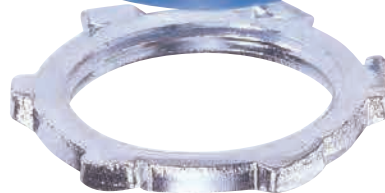
**SOLID STEEL WASHER**  
Industrial Spec Grade

**NEOPRENE GROMMET**  
Color Coded by  
Cable Range



**CONNECTOR BODY**  
Fully Machined  
Solid Steel or  
Aircraft Grade Aluminum  
Machine Cut Threads

**SEALING WASHER**  
Color Coded by  
Cable Range



**STEEL LOCKNUT**  
Industrial Spec Grade  
"Grabs Tight"

**Made in the USA**

*Available 1/2" through 2"*



[amftgs.com](http://amftgs.com)

t: 800.221.5268

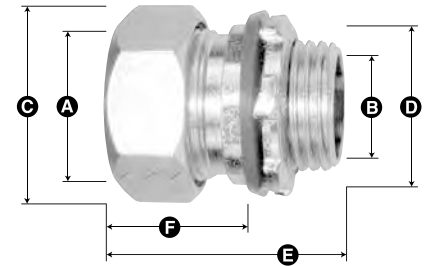
e: [info@amftgs.com](mailto:info@amftgs.com)



Made in the USA Since 1946

## The SPECTRUM® System of Industrial Grade Colored Cord Grips

### Straights<sup>†</sup> Dimensional Table



Cat. #	Size	A Cable Ranges		B Max Cable Core Dia.	C Cross Corner Gland Nut O.D.	D Hex Body O.D.	E Overall Length*	F Exposed Length*
		Min.	Max.					
CG1	1/2"	.150	.250	.640	1.210	.975	1-5/16"	13/16"
CG2	1/2"	.250	.350	.640	1.210	.975	1-5/16"	13/16"
CG3	1/2"	.350	.450	.640	1.210	.975	1-5/16"	13/16"
CG4	1/2"	.450	.560	.640	1.210	.975	1-5/16"	13/16"
CG5	1/2"	.56	.650	.640	1.210	.975	1-5/16"	13/16"
CG6	3/4"	.150	.250	.687	1.210	1.220	1-5/16"	13/16"
CG7	3/4"	.250	.350	.687	1.210	1.220	1-5/16"	13/16"
CG8	3/4"	.350	.450	.687	1.210	1.220	1-5/16"	13/16"
CG9	3/4"	.450	.560	.687	1.210	1.220	1-5/16"	13/16"
CG10	3/4"	.560	.650	.687	1.210	1.220	1-5/16"	13/16"
CG11	3/4"	.650	.750	.845	1.440	1.220	1-9/16"	1-1/32"
CG12	3/4"	.750	.850	.845	1.440	1.220	1-9/16"	1-1/32"
CG13	1"	.450	.560	.937	1.440	1.500	1-3/4"	1-1/8"
CG14	1"	.560	.650	.937	1.440	1.500	1-3/4"	1-1/8"
CG15	1"	.650	.750	.937	1.440	1.500	1-3/4"	1-1/8"
CG16	1"	.750	.850	.937	1.440	1.500	1-3/4"	1-1/8"
CG17	1"	.850	.950	1.050	1.730	1.500	1-7/8"	1-3/16"
CG18	1"	.950	1.050	1.050	1.730	1.500	1-7/8"	1-3/16"
CG19	1-1/4"	.750	.850	1.187	1.730	1.900	1-15/16"	1-1/4"
CG20	1-1/4"	.850	.950	1.187	1.730	1.900	1-15/16"	1-1/4"
CG21	1-1/4"	.950	1.050	1.375	2.240	1.900	1-15/16"	1-1/4"
CG22	1-1/4"	1.050	1.150	1.375	2.240	1.900	1-15/16"	1-1/4"
CG23	1-1/4"	1.150	1.250	1.375	2.240	1.900	1-15/16"	1-1/4"
CG24	1-1/4"	1.250	1.375	1.375	2.240	1.900	1-15/16"	1-1/4"
CG25	1-1/2"	.950	1.050	1.375	2.240	2.280	2"	1-5/16"
CG26	1-1/2"	1.050	1.150	1.375	2.240	2.280	2"	1-5/16"
CG27	1-1/2"	1.150	1.250	1.375	2.240	2.280	2"	1-5/16"
CG28	1-1/2"	1.250	1.375	1.375	2.240	2.280	2"	1-5/16"
CG29	1-1/2"	1.380	1.500	1.880	2.63	2.280	2 - 5/16"	1-19/32"
CG30	1-1/2"	1.500	1.630	1.880	2.63	2.280	2 - 5/16"	1-19/32"
CG31	1-1/2"	1.630	1.750	1.880	2.63	2.280	2 - 5/16"	1-19/32"
CG32	1-1/2"	1.750	1.880	1.880	2.63	2.280	2 - 5/16"	1-19/32"
CG33	2"	1.250	1.380	2.060	3.21	2.77	2-7/16"	1-11/16"
CG34	2"	1.380	1.500	2.060	3.21	2.77	2-7/16"	1-11/16"
CG35	2"	1.500	1.630	2.060	3.21	2.77	2-7/16"	1-11/16"
CG36	2"	1.630	1.750	2.060	3.21	2.77	2-7/16"	1-11/16"
CG37	2"	1.690	1.810	2.060	3.21	2.77	2-7/16"	1-11/16"
CG38	2"	1.750	1.880	2.060	3.21	2.77	2-7/16"	1-11/16"
CG39	2"	1.810	1.940	2.060	3.21	2.77	2-7/16"	1-11/16"
CG40	2"	1.940	2.060	2.060	3.21	2.77	2-7/16"	1-11/16"

\* Normal: may vary slightly depending on cable's diameter † Consult factory for 90° & 45° dimensions

Spectrum Cord Grips 3



Made in the USA Since 1946

## The SPECTRUM® System of Industrial Colored Cord Grips 90° and 45° Angle Connectors

- Color coded grommet and sealing washer indicating cable diameter ranges
- Provides a UL liquid tight and strain relief termination for flexible type, neoprene, vinyl, or PVC control cord and cable
- Pocket size color-coded sizing chart included
- Includes UL & CSA listed conduit locknut



### 90° Angle Connectors<sup>†</sup>

Cat. #	Color	Size	Cable Ranges		Unit	Std	WT/
			Min.	Max	Ctn	Pkg	100
CG190	Red	1/2"	.150	.250	10	100	26
CG290	White	1/2"	.250	.350	10	100	26
CG390	Blue	1/2"	.350	.450	10	100	26
CG490	Green	1/2"	.450	.560	10	100	26
CG590	Brown	1/2"	.560	.650	10	100	26
CG690	Red	3/4"	.150	.250	5	50	48
CG790	White	3/4"	.250	.350	5	50	48
CG890	Blue	3/4"	.350	.450	5	50	48
CG990	Green	3/4"	.450	.560	5	50	48
CG1090	Brown	3/4"	.560	.650	5	50	48
CG1190	Yellow	3/4"	.650	.750	5	50	48
CG1290	Purple	3/4"	.750	.850	5	50	48
CG1390	Green	1"	.450	.560	5	25	68
CG1490	Brown	1"	.560	.650	5	25	68
CG1590	Yellow	1"	.650	.750	5	25	68
CG1690	Purple	1"	.750	.850	5	25	68
CG1790	Grey	1"	.850	.950	5	25	68
CG1890	Black	1"	.950	1.050	5	25	68

**SPEC-grade**



### 45° Angle Connectors<sup>†</sup>

Cat. #	Color	Size	Cable Ranges		Unit	Std	WT/
			Min.	Max	Ctn	Pkg	100
CG145	Red	1/2"	.150	.250	10	100	26
CG245	White	1/2"	.250	.350	10	100	26
CG345	Blue	1/2"	.350	.450	10	100	26
CG445	Green	1/2"	.450	.560	10	100	26
CG545	Brown	1/2"	.560	.650	10	100	26
CG645	Red	3/4"	.150	.250	5	50	48
CG745	White	3/4"	.250	.350	5	50	48
CG845	Blue	3/4"	.350	.450	5	50	48
CG945	Green	3/4"	.450	.560	5	50	48
CG1045	Brown	3/4"	.560	.650	5	50	48
CG1145	Yellow	3/4"	.650	.750	5	50	48
CG1245	Purple	3/4"	.750	.850	5	50	48
CG1345	Green	1"	.450	.560	5	25	68
CG1445	Brown	1"	.560	.650	5	25	68
CG1545	Yellow	1"	.650	.750	5	25	68
CG1645	Purple	1"	.750	.850	5	25	68
CG1745	Grey	1"	.850	.950	5	25	68
CG1845	Black	1"	.950	1.050	5	25	68



Featuring:  
**EZ-Torque Compression Nut**

<sup>†</sup>Consult factory for 90° & 45° dimensions





## The ALUMINUM SPECTRUM® System of Industrial Colored Cord Grips

- Designed for more corrosive environments
- Resistant to moisture and most normal and hazardous atmospheric conditions
- Bright & polished appearance
- Color coded grommet and sealing washer indicating cable diameter ranges
- Provides a UL liquid tight and strain relief termination for flexible type, neoprene, vinyl, or PVC control cord and cable
- Pocket size color-coded sizing chart included
- Includes UL & CSA listed conduit locknut

## SPEC-grade



Featuring:  
**EZ-Torque Compression Nut**



UL rated suitable for hazardous locations  
Class I, Div. 2; Class II, Div. 1 and 2;  
Class III, Div. 1 and 2; NEC 501-4(b), 505-4(a), 503-3(a)

## Straight Connectors

Cat. #	Color	Size	Cable Ranges		Unit	Std	WT/
			Min.	Max	Ctn	Pkg	100
CG1AL	Red	1/2"	.150	.250	25	250	6
CG2AL	White	1/2"	.250	.350	25	250	6
CG3AL	Blue	1/2"	.350	.460	25	250	6
CG4AL	Green	1/2"	.450	.560	25	250	6
CG5AL	Brown	1/2"	.560	.650	25	250	6
CG6AL	Red	3/4"	.150	.250	10	100	8
CG7AL	White	3/4"	.250	.350	10	100	8
CG8AL	Blue	3/4"	.350	.460	10	100	8
CG9AL	Green	3/4"	.450	.560	10	100	8
CG10AL	Brown	3/4"	.560	.650	10	100	8
CG11AL	Yellow	3/4"	.650	.750	10	100	10
CG12AL	Purple	3/4"	.750	.850	10	100	10

Spectrum Cord Grips 5



Made in the USA Since 1946

## Selection Table for SPECTRUM® Cords Size 1/2" - 2"

Cat. #	Size	Cable Ranges		For Types	For Types SJ, STO, SJT
		Min.	Max	S, SO, ST & STO	SJTO, SVO and Bus Drop
CG1	1/2"	.150	.250		18-2,3 SVO
CG2	1/2"	.250	.350		18-2,3 SJT, 18-2,3,4 SJO 16-2,3, SJO
CG3	1/2"	.350	.450	18-2,3,4 16-2,3,4	16-4 SJO 14-2,3,4 SJO 12-2 SJO14-3 Bus Drop
CG4	1/2"	.450	.560	18-5,6,7 16-5,6 14-2,3	12-3 SJO 12-3 & 10-3 Bus Drop
CG5	1/2"	.560	.650	18-8,10 16-7,8 14-4 12-2,3 10-2	
CG6	3/4"	.150	.250		18-2,3 SVO
CG7	3/4"	.250	.350		18-2,3 SJT 18-2,3,4 SJO 16-2,3 SJO
CG8	3/4"	.350	.450	18-2,3,4 16-2,3,4	16-4 SJO 14-2,3,4 SJO 12-2 SJO14-3 Bus Drop
CG9	3/4"	.450	.560	18-5,6,7 16-5,6 14-2,3	12-3 SJO 12-3 & 10-3 Bus Drop
CG10	3/4"	.560	.650	18-8,10 16-7,8 14-4 12-2,3 10-2	
CG11	3/4"	.650	.750	18-12,14 16-10,12 14-5,6,7 12-4,5 10-3,4 8-2	8-3 Bus Drop
CG12	3/4"	.750	.850	18-16,18,20 16-14,16,18 14-8 12-6,7,8 10-5 8-3,4 6-2	6-3 Bus Drop
CG13	1"	.450	.560	18-5,6,7 16-5,6 14-2,3	12-3 SJO 12-3 & 10-3 Bus Drop
CG14	1"	.560	.650	18-8,10 16-7,8 14-4 12-2,3 10-2	
CG15	1"	.650	.750	18-12,14 16-10,12 14-5,6,7 12-4,5 10-3,4 8-2	8-3 Bus Drop
CG16	1"	.750	.850	18-16,18,20 16-14,16,18 14-8 12-6,7,8 10-5 8-3,4 6-2	6-3 Bus Drop
CG17	1"	.850	.950	18-22,24,26 16-20,22,24 14-10,12 10-6,7,8 6-3,4	4-3 Bus Drop
CG18	1"	.950	1.050	18-30 16-26 14-14,16 12-10 4-3	
CG19	1-1/4"	.750	.850	18-16,18,20 16-14,16,18 14-8 12-6,7,8 10-5 8-3,4 6-2	6-3 Bus Drop
CG20	1-1/4"	.850	.950	18-22,24,26 16-20,22,24 14-10,12 10-6,7,8 6-3,4	4-3 Bus Drop
CG21	1-1/4"	.950	1.050	18-30 16-26 14-14,16 12-10 4-3	
CG22	1-1/4"	1.050	1.150	18-36,40 16-30,36 14-18,20 12-12,14 10-10 4-4	2-3 Bus Drop
CG23	1-1/4"	1.150	1.250	16-40 14-22 12-16,18 10-12,14 2-3	
CG24	1-1/4"	1.250	1.375	14-24,26,30 12-20 10-16 2-4	
CG25	1-1/2"	.950	1.050	18-30 16-26 14-14,16 12-10 4-3	
CG26	1-1/2"	1.050	1.150	18-36,40 16-30,36 14-18,20 12-12,14 10-10 4-4	2-3 Bus Drop
CG27	1-1/2"	1.150	1.250	16-40 14-22 12-16,18 10-12,14 2-3	
CG28	1-1/2"	1.250	1.375	12-24,26,30 12-20 10-16 2-4	
CG29	1-1/2"	1.380	1.500	3-4, 2-4, 1-2	
CG30	1-1/2"	1.500	1.630	3-4, 2-4, 1-2	
CG31	1-1/2"	1.630	1.750	1/0-2, 1-3	
CG32	1-1/2"	1.750	1.880	2-0-2, 3 1/0-3 1-4	
CG33	2"	1.250	1.380	4/0-2 3/0-2, 3 2/0-3 1/0-4	
CG34	2"	1.380	1.500	4/4, 3-4, 2-3, 2	
CG35	2"	1.500	1.630	3-4, 2-4, 1-2	
CG36	2"	1.630	1.750	1/0-2 1-3	
CG37	2"	1.690	1.810	2/0-2, 3 1/0-3 1-4	
CG38	2"	1.750	1.880	3/0-2, 3 2/0-3 1-4 1/0-4	
CG39	2"	1.810	1.940	4/0-2, 3/0-2, 3 2/0-3 1/0-4	
CG40	2"	1.940	2.060	4/0-2 2/0-4	

Spectrum Cord Grips 6



Made in the USA Since 1946



## SPECTRUM® Neoprene Bushings

- Replacement grommets for steel and aluminum
- Strain Relief Connectors
- Color-Coded

Cable Ranges						
Cat. #	Color	Min.	Max	Size	Std/Pkg	WT/100
CG1G	Red	.150	.250	1/2"	25	2
CG2G	White	.250	.350	1/2"	25	2
CG3G	Blue	.350	.450	1/2"	25	2
CG4G	Green	.450	.560	1/2"	25	2
CG5G	Brown	.560	.650	1/2"	25	2
CG6G	Red	.150	.250	3/4"	25	2
CG7G	White	.250	.350	3/4"	25	2
CG8G	Blue	.350	.450	3/4"	25	2
CG9G	Green	.450	.560	3/4"	25	2
CG10G	Brown	.560	.650	3/4"	25	2
CG11G	Yellow	.650	.750	3/4"	25	2
CG12G	Purple	.750	.850	3/4"	25	2
CG13G	Green	.450	.560	1"	25	4
CG14G	Brown	.560	.650	1"	25	4
CG15G	Yellow	.650	.750	1"	25	4
CG16G	Purple	.750	.850	1"	25	4
CG17G	Grey	.850	.950	1"	25	4
CG18G	Black	.950	1.050	1"	25	4
CG19G	Purple	.750	.850	1-1/4"	10	10
CG20G	Grey	.850	.950	1-1/4"	10	10
CG21G	Black	.950	1.050	1-1/4"	10	10
CG22G	Orange	1.050	1.150	1-1/4"	10	10
CG23G	Red	1.150	1.250	1-1/4"	10	10
CG24G	White	1.250	1.375	1-1/4"	10	10
CG25G	Black	.950	1.050	1-1/2"	10	10
CG26G	Orange	1.050	1.150	1-1/2"	10	10
CG27G	Red	1.150	1.250	1-1/2"	10	10
CG28G	White	1.250	1.375	1-1/2"	10	10
CG29G	Blue	1.380	1.500	1-1/2"	10	12
CG30G	Green	1.500	1.630	1-1/2"	10	12
CG31G	Brown	1.630	1.750	1-1/2"	10	12
CG32G	Purple	1.750	1.880	1-1/2"	10	12
CG33G	Red	1.250	1.380	2"	10	12
CG34G	Blue	1.380	1.500	2"	10	12
CG35G	Green	1.500	1.630	2"	10	12
CG36G	Brown	1.630	1.750	2"	10	12
CG37G	Yellow	1.690	1.810	2"	10	12
CG38G	Purple	1.750	1.880	2"	10	12
CG39G	White	1.810	1.940	2"	10	12
CG40G	Orange	1.940	2.060	2"	10	12

Cord Grips 7





## Strain Relief Cord Connectors Straight

- Industrial specification grade, screw machined steel, zinc plated
- Provides a UL liquid tight and strain relief termination for flexible type, neoprene, vinyl, or PVC control cord and cable
- Color-coded grommet to indicate cable diameter range

**SPEC-grade**



UL rated suitable for hazardous locations  
Class I, Div. 2; Class II, Div. 1 and 2;  
Class III, Div. 1 and 2; NEC 501-4(b), 505-4(a), 503-3(a)

Featuring:  
**EZ-Torque Compression Nut**

## Straight Connectors - Steel

Cat. #	Color	Size	Cable Ranges		Unit Ctn	Std Pkg	WT/ 100
			Min.	Max			
CG50A250	Red	1/2"	.150	.250	25	250	12
CG50A350	White	1/2"	.250	.350	25	250	12
CG50A450	Blue	1/2"	.350	.460	25	250	12
CG50A560	Green	1/2"	.450	.560	25	250	12
CG50A650	Brown	1/2"	.560	.650	25	250	12
CG75A250	Red	3/4"	.150	.250	10	100	10
CG75A350	White	3/4"	.250	.350	10	100	10
CG75A450	Blue	3/4"	.350	.460	10	100	10
CG75A560	Green	3/4"	.450	.560	10	100	10
CG75A650	Brown	3/4"	.560	.650	10	100	10
CG75B750	Yellow	3/4"	.650	.750	10	100	10
CG75B850	Purple	3/4"	.750	.850	10	100	10
CG100B560	Green	1"	.450	.560	5	50	28
CG100B650	Brown	1"	.560	.650	5	50	28
CG100B750	Yellow	1"	.650	.750	5	50	28
CG100B850	Purple	1"	.750	.850	5	50	28
CG100C950	Grey	1"	.850	.950	5	50	28
CG100C1050	Black	1"	.950	1.050	5	50	28

Cord Connectors 1



Made in the USA Since 1946

**SPEC-grade**

## Strain Relief Cord Connectors Straight

- Industrial specification grade, screw machined steel, zinc plated
- Provides a UL liquid tight and strain relief termination for flexible type, neoprene, vinyl, or PVC control cord and cable
- Color-coded grommet to indicate cable diameter range



UL rated suitable for hazardous locations  
Class I, Div. 2; Class II, Div. 1 and 2;  
Class III, Div. 1 and 2; NEC 501-4(b), 505-4(a), 503-3(a)

Featuring:  
**EZ-Torque Compression Nut**

## Straight Connectors - Steel

Cat. #	Color	Size	Cable Ranges		Unit Ctn	Std Pkg	WT/ 100
			Min.	Max			
CG125C850	Purple	1-1/4"	.750	.850	5	25	48
CG125C950	Grey	1-1/4"	.850	.950	5	25	48
CG125D1050	Black	1-1/4"	.950	1.050	5	25	48
CG125D1150	Orange	1-1/4"	1.050	1.150	5	25	48
CG125D1250	Red	1-1/4"	1.150	1.250	5	25	48
CG125D1375	White	1-1/4"	1.250	1.375	5	25	48
CG150D1050	Black	1-1/2"	.950	1.050	2	20	90
CG150D1150	Orange	1-1/2"	1.050	1.150	2	20	90
CG150D1250	Red	1-1/2"	1.150	1.250	2	20	90
CG150D1375	White	1-1/2"	1.250	1.375	2	20	90
CG150E1500	Blue	1-1/2"	1.380	1.500	2	20	90
CG150E1630**	Green	1-1/2"	1.500	1.630	2	20	90
CG150E1750**	Brown	1-1/2"	1.630	1.750	2	20	90
CG150E1880**	Purple	1-1/2"	1.750	1.880	2	20	90
CG200F1380	Red	2"	1.250	1.380	2	20	105
CG200F1500	Blue	2"	1.380	1.500	2	20	105
CG200F1630	Green	2"	1.500	1.630	2	20	105
CG200F1750	Brown	2"	1.630	1.750	2	20	105
CG200F1810	Yellow	2"	1.690	1.810	2	20	105
CG200F1880	Purple	2"	1.750	1.880	2	20	105
CG200F1940	White	2"	1.810	1.940	2	20	105
CG200F2060	Orange	2"	1.940	2.060	2	20	105

\*\*Cable jacket may have to be stripped to pass through connector body

Cord Connectors 2



Made in the USA Since 1946

## Strain Relief Aluminum Cord Connectors

- Industrial specification grade, screwmachined aluminum
- Provides UL liquid tight and strain relief termination for Flexible type, neoprene, vinyl, or PVC control cord and cable
- Color-coded grommet to indicate cable diameter range



UL rated suitable for hazardous locations  
Class I, Div. 2; Class II, Div. 1 and 2;  
Class III, Div. 1 and 2; NEC 501-4(b), 505-4(a), 503-3(a)

**SPEC-grade**



Featuring:  
**EZ-Torque Compression Nut**

## Straight Connectors - Aluminum

Cat. #	Color	Size	Cable Ranges		Unit Ctn	Std Pkg	WT/ 100
			Min.	Max			
CG50A250AL	Red	1/2"	.150	.250	25	250	6
CG50A350AL	White	1/2"	.250	.350	25	250	6
CG50A450AL	Blue	1/2"	.350	.460	25	250	6
CG50A560AL	Green	1/2"	.450	.560	25	250	6
CG50A650AL	Brown	1/2"	.560	.650	25	250	6
CG75A250AL	Red	3/4"	.150	.250	10	100	8
CG75A350AL	White	3/4"	.250	.350	10	100	8
CG75A450AL	Blue	3/4"	.350	.460	10	100	8
CG75A560AL	Green	3/4"	.450	.560	10	100	8
CG75A650AL	Brown	3/4"	.560	.650	10	100	8
CG75B750AL	Yellow	3/4"	.650	.750	10	100	10
CG75B850AL	Purple	3/4"	.750	.850	10	100	10
CG100B560AL	Green	1"	.450	.560	5	50	11
CG100B650AL	Brown	1"	.560	.650	5	50	11
CG100B750AL	Yellow	1"	.650	.750	5	50	11
CG100B850AL	Purple	1"	.750	.850	5	50	11
CG100C950AL	Grey	1"	.850	.950	5	50	11
CG100C1050AL	Black	1"	.950	1.050	5	50	11

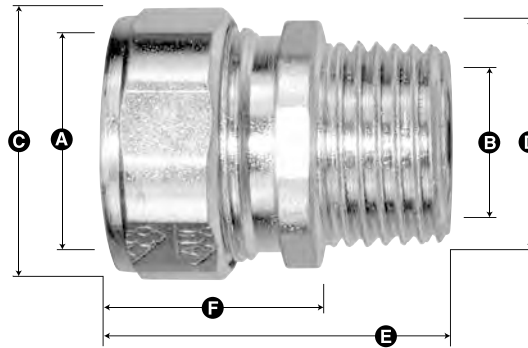
Cord Connectors 3





Made in the USA Since 1946

## Strain Relief Cord Connectors



### Straights<sup>†</sup> Dimensional Table

Cat. #	Length*	Size	A Cable Ranges		B Max Cable	C Cross Corner	D Hex	E Overall	F Exposed
			Min.	Max	Core Dia.	Gland Nut O.D.	Body O.D.	Length	
CG50A250	1/2"		.150	.250	.640	1.070	.975	1-5/16"	13/16"
CG50A350	1/2"		.250	.350	.640	1.070	.975	1-5/16"	13/16"
CG50A450	1/2"		.350	.450	.640	1.070	.975	1-5/16"	13/16"
CG50A560	1/2"		.450	.560	.640	1.070	.975	1-5/16"	13/16"
CG50A650	1/2"		.560	.650	.640	1.070	.975	1-5/16"	13/16"
CG75A250	3/4"		.150	.250	.687	1.070	1.220	1-5/16"	13/16"
CG75A350	3/4"		.250	.350	.687	1.070	1.220	1-5/16"	13/16"
CG75A450	3/4"		.350	.450	.687	1.070	1.220	1-5/16"	13/16"
CG75A560	3/4"		.450	.560	.687	1.070	1.220	1-5/16"	13/16"
CG75A650	3/4"		.560	.650	.687	1.070	1.220	1-5/16"	13/16"
CG75B750	3/4"		.650	.750	.845	1.330	1.220	1-9/16"	1-1/32"
CG75B850	3/4"		.750	.850	.845	1.330	1.220	1-9/16"	1-1/32"
CG100B560	1"		.450	.560	.937	1.330	1.500	1-3/4"	1-1/8"
CG100B650	1"		.560	.650	.937	1.330	1.500	1-3/4"	1-1/8"
CG100B750	1"		.650	.750	.937	1.330	1.500	1-3/4"	1-1/8"
CG100B850	1"		.750	.850	.937	1.330	1.500	1-3/4"	1-1/8"
CG100C950	1"		.850	.950	1.050	1.625	1.500	1-7/8"	1-3/16"
CG100C1050	1"		.950	1.050	1.050	1.625	1.500	1-7/8"	1-3/16"
CG100B850	1"		.750	.850	.937	1.330	1.500	1-3/4"	1-1/8"
CG100C950	1"		.850	.950	1.050	1.625	1.500	1-7/8"	1-3/16"
CG100C1050	1"		.950	1.050	1.050	1.625	1.500	1-7/8"	1-3/16"

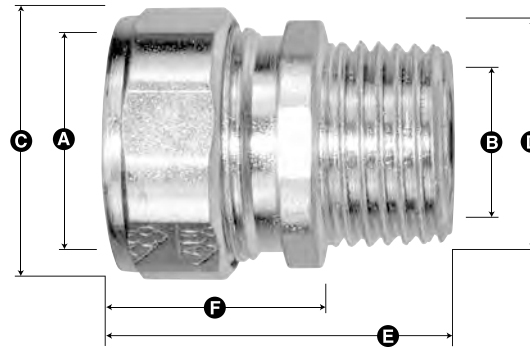
\*Normal: may vary slightly depending on cable's diameter †Consult factory for 90° & 45° dimensions

Cord Connectors 4



Made in the USA Since 1946

## Strain Relief Cord Connectors



### Straights<sup>†</sup> Dimensional Table

Cat. #	Size	A Cable Ranges		B Max Cable Core Dia.	C Cross Corner Gland Nut O.D.	D Hex Body O.D.	E Overall Length*	F Exposed Length*
		Min.	Max					
CG125C850	1-1/4"	.750	.850	1.187	1.625	1.900	1-15/16"	1-1/4"
CG125C950	1-1/4"	.850	.950	1.187	1.625	1.900	1-15/16"	1-1/4"
CG125D1050	1-1/4"	.950	1.050	1.375	2.032	1.900	1-15/16"	1-1/4"
CG125D1150	1-1/4"	1.050	1.150	1.375	2.032	1.900	1-15/16"	1-1/4"
CG125D1250	1-1/4"	1.150	1.250	1.375	2.032	1.900	1-15/16"	1-1/4"
CG125D1375	1-1/4"	1.250	1.375	1.375	2.032	1.900	1-15/16"	1-1/4"
CG150D1050	1-1/2"	.950	1.050	1.375	2.032	2.280	2"	1-5/16"
CG150D1150	1-1/2"	1.050	1.150	1.375	2.032	2.280	2"	1-5/16"
CG150D1250	1-1/2"	1.150	1.250	1.375	2.032	2.280	2"	1-5/16"
CG150D1375	1-1/2"	1.250	1.375	1.375	2.032	2.280	2"	1-5/16"
CG150E1500	1-1/2"	1.380	1.500	1.625	2.375	2.188	2-1/8"	1-3/8"
CG150E1630	1-1/2"	1.500	1.630	1.625	2.375	2.188	2-1/8"	1-3/8"
CG150E1700	1-1/2"	1.630	1.750	1.625	2.375	2.188	2-1/8"	1-3/8"
CG150E1880	1-1/2"	1.750	1.880	1.625	2.375	2.188	2-1/8"	1-3/8"
CG200F1380	2"	1.250	1.380	2.060	2.875	2.656	2-1/4"	1-5/8"
CG200F1500	2"	1.380	1.500	2.060	2.875	2.656	2-1/4"	1-5/8"
CG200F1630	2"	1.500	1.630	2.060	2.875	2.656	2-1/4"	1-5/8"
CG200F1750	2"	1.630	1.750	2.060	2.875	2.656	2-1/4"	1-5/8"
CG200F1810	2"	1.690	1.810	2.060	2.875	2.656	2-1/4"	1-5/8"
CG200F1880	2"	1.750	1.880	2.060	2.875	2.656	2-1/4"	1-5/8"
CG200F1940	2"	1.810	1.940	2.060	2.875	2.656	2-1/4"	1-5/8"
CG200F2060	2"	1.940	2.060	2.060	2.875	2.656	2-1/4"	1-5/8"

\*Normal: may vary slightly depending on cable's diameter †Consult factory for 90° & 45° dimensions

Cord Connectors 5



Made in the USA Since 1946

## Strain Relief Cord Connectors 90°

- Industrial specification grade, screw steel, zinc plated
- Provides a UL liquid tight and strain relief termination for flexible type, neoprene, vinyl, or PVC control cord and cable
- Color-coded grommet to indicate cable diameter range

**SPEC-grade**



Featuring:  
**EZ-Torque Compression Nut**



UL rated suitable for hazardous locations  
Class I, Div. 2; Class II, Div. 1 and 2;  
Class III, Div. 1 and 2; NEC 501-4(b), 505-4(a), 503-3(a)

## 90° Angle Connectors<sup>†</sup>

Cat. #	Color	Size	Cable Ranges		Unit	Std	WT/
			Min.	Max	Ctn	Pkg	100
CG50A25090	Red	1/2"	.150	.250	10	100	26
CG50A35090	White	1/2"	.250	.350	10	100	26
CG50A45090	Blue	1/2"	.350	.460	10	100	26
CG50A56090	Green	1/2"	.450	.560	10	100	26
CG50A65090	Brown	1/2"	.560	.650	10	100	26
CG75A25090	Red	3/4"	.150	.250	5	50	48
CG75A35090	White	3/4"	.250	.350	5	50	48
CG75A45090	Blue	3/4"	.350	.460	5	50	48
CG75A56090	Green	3/4"	.450	.560	5	50	48
CG75A65090	Brown	3/4"	.560	.650	5	50	48
CG75B75090	Yellow	3/4"	.650	.750	5	50	48
CG75B85090	Purple	3/4"	.750	.850	5	50	48
CG100B56090	Green	1"	.450	.560	5	25	68
CG100B65090	Brown	1"	.560	.650	5	25	68
CG100B75090	Yellow	1"	.650	.750	5	25	68
CG100B85090	Purple	1"	.750	.850	5	25	68
CG100C95090	Grey	1"	.850	.950	5	25	68
CG100C105090	Black	1"	.950	1.050	5	25	68

Cord Connectors 6





Made in the USA Since 1946

## Strain Relief Cord Connectors 45°

- Industrial specification grade, screw steel, zinc plated
- Provides a UL liquid tight and strain relief termination for flexible type, neoprene, vinyl, or PVC control cord and cable
- Color-coded grommet to indicate cable diameter range



UL rated suitable for hazardous locations  
Class I, Div. 2; Class II, Div. 1 and 2;  
Class III, Div. 1 and 2; NEC 501-4(b), 505-4(a), 503-3(a)

## SPEC-grade



Featuring:  
**EZ-Torque Compression Nut**

## 45° Angle Connectors<sup>†</sup>

Cat. #	Color	Size	Cable Ranges		Unit	Std	WT/
			Min.	Max	Ctn	Pkg	100
CG50A25045	Red	1/2"	.150	.250	10	100	26
CG50A35045	White	1/2"	.250	.350	10	100	26
CG50A45045	Blue	1/2"	.350	.450	10	100	26
CG50A56045	Green	1/2"	.450	.560	10	100	26
CG50A65045	Brown	1/2"	.560	.650	10	100	26
CG75A25045	Red	3/4"	.150	.250	5	50	48
CG75A35045	White	3/4"	.250	.350	5	50	48
CG75A45045	Blue	3/4"	.350	.450	5	50	48
CG75A56045	Green	3/4"	.450	.560	5	50	48
CG75A65045	Brown	3/4"	.560	.650	5	50	48
CG75B75045	Yellow	3/4"	.650	.750	5	50	48
CG75B85045	Purple	3/4"	.750	.850	5	50	48
CG100B56045	Green	1"	.450	.560	5	25	68
CG100B65045	Brown	1"	.560	.650	5	25	68
CG100B75045	Yellow	1"	.650	.750	5	25	68
CG100B85045	Purple	1"	.750	.850	5	25	68
CG100C95045	Grey	1"	.850	.950	5	25	68
CG100C105045	Black	1"	.950	1.050	5	25	68

<sup>†</sup> Consult factory for 90° & 45° dimensions

Cord Connectors 7



## Selection Table For Cords 1/2" to 1"

Cat. #	Size	Cable Ranges		For Types	For Types SJ, STO, SJT
		Min.	Max	S, SO, ST & STO	SJTO, SVO and Bus Drop
CG50A250	1/2"	.150	.250		18-2,3 SVO
CG50A350	1/2"	.250	.350		18-2,3 SJT, 18-2,3,4 SJO 16-2,3, SJO
CG50A450	1/2"	.350	.450	18-2,3,4 16-2,3,4	16-4 SJO 14-2,3,4 SJO 12-2 SJO 14-3 Bus Drop
CG50A560	1/2"	.450	.560	18-5,6,7 16-5,6 14-2,3	12-3 SJO 12-3 & 10-3 Bus Drop
CG50A650	1/2"	.560	.650	18-8,10 16-7,8 14-4 12-2,3 10-2	
CG75A250	3/4"	.150	.250		18-2,3 SVO
CG75A350	3/4"	.250	.350		18-2,3 SJT 18-2,3,4 SJO 16-2,3 SJO
CG75A450	3/4"	.350	.450	18-2,3,4 16-2,3,4	16-4 SJO 14-2,3,4 SJO 12-2 SJO 14-3 Bus Drop
CG75A560	3/4"	.450	.560	18-5,6,7 16-5,6 14-2,3	12-3 SJO 12-3 & 10-3 Bus Drop
CG75A650	3/4"	.560	.650	18-8,10 16-7,8 14-4 12-2,3 10-2	
CG75B750	3/4"	.650	.750	18-12,14 16-10,12 14-5,6, 12-4,5 10-3,4 8-2	8-3 Bus Drop
CG75B850	3/4"	.750	.850	18-16,18,20 16-14,16,18 14-8 12-6,7,8 10-5 8-3,4 6-2	6-3 Bus Drop
CG100B560	1"	.450	.560	18-5,6,7 16-5,6 14-2,3	12-3 SJO 12-3 & 10-3 Bus Drop
CG100B650	1"	.560	.650	18-8,10 16-7,8 14-4 12-2,3 10-2	
CG100B750	1"	.650	.750	18-12,14 16-10,12 14-5,6,7 12-4,5 10-3,4 8-2	8-3 Bus Drop
CG100B850	1"	.750	.850	18-16,18,20 16-14,16,18 14-8 12-6,7,8 10-5 8-3,4 6-2	6-3 Bus Drop
CG100C950	1"	.850	.950	18-22,24,26 16-20,22,24 14-10,12 10-6,7,8 6-3,4	4-3 Bus Drop
CG100C1050	1"	.950	1.050		18-30 16-26 14-14,16 12-10 4-3



## Selection Table For Cords 1 1/4" to 2"

Cat. #	Size	Cable Ranges		For Types	For Types SJ, STO, SJT
		Min.	Max	S, SO, ST & STO	SJTO, SVO and Bus Drop
CG125C850	1-1/4"	.750	.850	18-16,18,20 16-14,16,18 14-8 12-6,7,8 10-5 8-3,4 6-2	6-3 Bus Drop
CG125C950	1-1/4"	.850	.950	18-22,24,26 16-20,22,24 14-10,12, 10-6,7,8 6-3,4	4-3 Bus Drop
CG125D1050	1-1/4"	.950	1.050	18-30 16-26 14-14,16 12-10 4-3	
CG125D1150	1-1/4"	1.050	1.150	18-36,40 16-30,36 14-18,20 12-12,14 10-10 4-4	2-3 Bus Drop
CG125D1250	1-1/4"	1.150	1.250	16-40 14-22 12-16,18 10-12,14 2-3	
CG125D1375	1-1/4"	1.250	1.375	14-24,26,30 12-20 10-16 2-4	
CG150D1050	1-1/2"	.950	1.050	18-30 16-26 14-14,16 12-10 4-3	
CG150D1150	1-1/2"	1.050	1.150	18-36,40 16-30,36 14-18,20 12-12,14 10-10 4-4	2-3 Bus Drop
CG150D1250	1-1/2"	1.150	1.250	16-40 14-22 12-16,18 10-12,14 2-3	
CG150D1375	1-1/2"	1.250	1.375	12-24,26,30 12-20 10-16 2-4	
CG150E1500	1-1/2"	1.380	1.500	3-4, 2-4, 1-2	
CG150E1630	1-1/2"	1.500	1.630	1/0-2, 1-3	
CG150E1750	1-1/2"	1.630	1.750	2/0-2,3 1/0-3 1-4	
CG150E1880	1-1/2"	1.750	1.880	4/0-2 3/0-2,3 2/0-3 1/0-4	
CG200F1380	2"	1.250	1.380	4-4, 3-4, 2-3,2	
CG200F1500	2"	1.380	1.500	3-4, 2-4, 1-2	
CG200F1630	2"	1.500	1.630	1/0-2 1-3	
CG200F1750	2"	1.630	1.750	2/0-2,3 1/0-3 1-4	
CG200F1810	2"	1.690	1.810	3/0-2,3 2/0-3 1-4 1/0-4	
CG200F1880	2"	1.750	1.880	4/0-2, 3/0-2,3 2/0-3 1/0-4	
CG200F1940	2"	1.810	1.940	4/0-2 2/0-4	
CG200F2060	2"	1.940	2.060		



Made in the USA Since 1946

## The APSPEC Series of Industrial Grade Colored Cord Grips **SPEC-grade**

- Wider and more compression cable ranges to encompass and accommodate specification projects
- Provides a UL liquid tight and strain relief termination for flexible type, neoprene, vinyl, or PVC control cord and cable
- Distinctly colored grommets indicating cable range
- Hexagon compression nut for easier wrenching and consistent torque



UL rated suitable for hazardous locations  
 Class I, Div. 2; Class II, Div. 1 and 2;  
 Class III, Div. 1 and 2; NEC 501-4(b), 505-4(a), 503-3(a)

E96445



Featuring:  
**EZ-Torque Compression Nut**

### Straights Connectors *Fit, Form, Function to Appleton Electric Grip Range*

Cat. #	Cross Reference	Color	Size	Cable Ranges		Unit Ctn	Std Pkg	WT/ 100
				Min.	Max.			
1250AAM	CG1250S	Red	1/2"	.125	.187	25	250	12
1250AAM	CG1850S	Brown	1/2"	.187	.312	25	250	12
1850AAM	CG3150S	Yellow	1/2"	.312	.437	25	250	12
1250AM	CG1250S	Red	1/2"	.125	.187	25	250	12
CG1850AM	CG1850S	Brown	1/2"	.187	.312	25	250	12
CG3150AM	CG3150S	Yellow	1/2"	.312	.437	25	250	12
CG3750AM	CG3750S	Purple	1/2"	.375	.500	25	250	12
CG5050AM	CG5050S	Pink	1/2"	.500	.625	25	250	12
CG6250AM	CG6250S	Orange	1/2"	.625	.750	25	250	12
CG1275AM	CG1275S	Blue	3/4"	.125	.250	10	100	16
CG2575AM	CG2575S	Green	3/4"	.250	.375	10	100	16
CG3775AM	CG3775S	Purple	3/4"	.375	.500	10	100	16
CG5075AM	CG5075S	Pink	3/4"	.500	.625	10	100	16
CG6275AM	CG6275S	Orange	3/4"	.625	.750	10	100	19
CG7575AM	CG7575S	Gray	3/4"	.750	.875	10	100	19
CG37100AM	CG37100S	Purple	1"	.375	.500	5	50	28
CG50100AM	CG50100S	Pink	1"	.500	.625	5	50	28
CG62100AM	CG62100S	Orange	1"	.625	.750	5	50	28
CG75100AM	CG75100S	Gray	1"	.750	.875	5	50	28
CG87100AM	CG87100S	Red	1"	.875	1.000	5	50	28
CG100100AM	CG100100S	Blue	1"	1.000	1.125	5	50	28
CG75125AM	CG75125S	Gray	1-1/4"	.750	.875	5	25	48
CG87125AM	CG87125S	Red	1-1/4"	.875	1.000	5	25	48
CG100125AM	CG100125S	Blue	1-1/4"	1.000	1.125	5	25	48
CG112125AM	CG112125S	Brown	1-1/4"	1.125	1.250	5	25	48
CG125125AM	CG125125S	Green	1-1/4"	1.250	1.375	5	25	48
CG137125AM	CG137125S	Yellow	1-1/4"	1.375	1.500	5	25	48
CG115150AM	CG115150S	Purple	1-1/2"	1.156	1.312	2	20	90
CG128150AM	CG128150S	Pink	1-1/2"	1.281	1.531	2	20	90
CG153200AM	CG153200S	Orange	2"	1.531	1.780	2	20	105

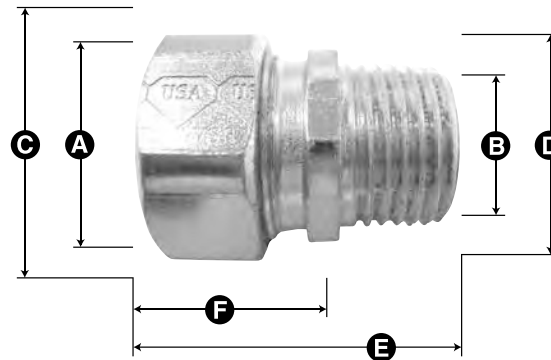
AP Cord Grips 1





Made in the USA Since 1946

## The APSPEC Series of Industrial Grade Colored Cord Grips



APSPEC Straights<sup>†</sup> Dimensional Table

Cat. #	Size	A Cable Ranges		B Max Cable Core Dia.	C Cross Corner Gland Nut O.D.	D Hex Body O.D.	E Overall Length*	F Exposed Length*
		Min.	Max.					
CG1250AAM	1/2"	.125	.187	.437	.950	.975	1-9/32"	25/32"
CG1850AAM	1/2"	.187	.312	.437	.950	.975	1-9/32"	25/32"
CG3150AAM	1/2"	.312	.437	.437	.950	.975	1-9/32"	25/32"
CG1250AM	1/2"	.125	.187	.625	1.160	.975	1-5/16"	5/8"
CG1850AM	1/2"	.187	.312	.625	1.160	.975	1-5/16"	5/8"
CG3150AM	1/2"	.312	.437	.625	1.160	.975	1-5/16"	5/8"
CG3750AM	1/2"	.375	.500	.625	1.160	.975	1-5/16"	5/8"
CG5050AM	1/2"	.500	.625	.625	1.160	.975	1-5/16"	5/8"
CG6250AM	1/2"	.625	.750	.625	1.425	1.220	1-5/16"	7/8"
CG1275AM	3/4"	.125	.250	.625	1.425	1.220	1-5/8"	13/16"
CG2575AM	3/4"	.250	.375	.625	1.425	1.220	1-5/8"	13/16"
CG3775AM	3/4"	.375	.500	.625	1.425	1.220	1-5/8"	13/16"
CG5075AM	3/4"	.500	.625	.625	1.425	1.220	1-5/8"	13/16"
CG6275AM	3/4"	.625	.750	.625	1.425	1.220	1-5/8"	1-1/32"
CG7575AM	3/4"	.750	.875	.625	1.425	1.220	1-5/8"	1-1/32"
CG37100AM	1"	.375	.500	.625	1.425	1.500	1-3/4"	1-1/8"
CG50100AM	1"	.500	.625	.625	1.425	1.500	1-3/4"	1-1/8"
CG62100AM	1"	.625	.750	.625	1.425	1.500	1-3/4"	1-1/8"
CG75100AM	1"	.750	.875	.625	1.425	1.500	1-3/4"	1-1/8"
CG87100AM	1"	.875	1.000	.625	1.700	1.500	1-7/8"	1-3/16"
CG100100AM	1"	1.000	1.125	.625	1.700	1.500	1-7/8"	1-3/16"
CG75125AM	1-1/4"	.750	.875	.625	1.700	1.900	1-7/8"	1-1/4"
CG87125AM	1-1/4"	.875	1.000	.625	1.700	1.900	1-7/8"	1-1/4"
CG100125AM	1-1/4"	1.000	1.125	.625	1.700	1.900	1-7/8"	1-1/4"
CG112125AM	1-1/4"	1.125	1.250	.625	2.030	1.900	1-7/8"	1-1/4"
CG125125AM	1-1/4"	1.250	1.375	.625	2.030	1.900	1-15/16"	1-1/4"
CG137125AM	1-1/4"	1.375	1.500	.625	2.030	1.900	1-15/16"	1-1/4"
CG115150AM	1-1/2"	1.156	1.312	.625	2.370	2.280	2-1/4"	1-5/16"
CG128150AM	1-1/2"	1.281	1.531	.625	2.370	2.280	2-1/4"	1-5/16"
CG153200AM	2"	1.531	1.780	.625	2.875	2.280	2-1/2"	1-5/16"

\* Normal: may vary slightly depending on cable's diameter

AP Cord Grips 2



Made in the USA Since 1946

## Cord Grip Connectors with Multiple Hole Bushings

- Industrial specification grade, screw machined steel, zinc plated
- Provides a UL liquid tight and strain relief termination for flexible type, neoprene, vinyl, or PVC control cord and cable
- Neoprene color coded grommets — UV stabilized



**SPEC-grade**



Featuring:  
**EZ-Torque Compression Nut**

Cat. #	Trade Size	No. of Holes	Cable OD* Inches	Unit Ctn	Std Pkg	WT/100
CG50A2222H**	1/2"	2	.215	25	250	12
CG50A2223H***	1/2"	3	.215	25	250	12
CG75A2222H**	3/4"	2	.215	10	100	10
CG75A2223H***	3/4"	3	.215	10	100	10
CG75B2602H	3/4"	2	.255	10	100	10
CG75B2603H	3/4"	3	.255	10	100	10
CG100B2253H	1"	3	.215	5	50	28
CG100B2254H	1"	4	.215	5	50	28
CG100B3002H	1"	2	.295	5	50	28
CG100B3003H	1"	3	.295	5	50	28
CG7100C3752H	1"	2	.370	5	50	28
CG125D5002H	1 1/4"	2	.505	5	25	48

\* Cable diameter range: +/- .010"

\*\* Two-Hole Style

\*\*\* Three-Hole Style

**Additional or Custom Multiple Hole Bushings are Available Upon Request**

AP Cord Grips 3



## Non-Metallic Strain Relief Cord Connectors Size Range 1/2" to 1"

- Utilized with portable cord to provide strain relief termination
- For use in wet or dry locations
- Oil, water, dust, resistant NEMA 4X IP68
- Stands up to most industrial corrosive environments
- Extended cord range to reduce inventory
- Tightening on nut creates a watertight seal
- Neoprene bushings cover a large cable range, reducing the number of different sized fittings required

Material: Type 6/6 Nylon Color: Industrial Grey

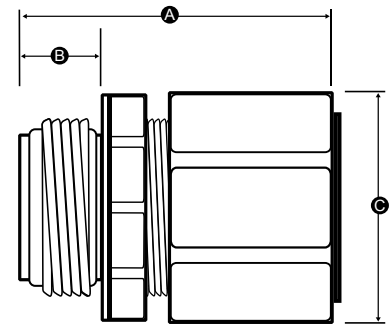
Sealing Grommet: Neoprene

Temperature Range: -30° to 105°C Short Term: 150°C

Flame Resistance: UL 94vo, incandescent Wire

UL Standard 514B • CUL to CSA Standard C22.2 No.18

Environmental Rating: IP68 • NEMA 4X Watertight



Cat. #	Size	Unit Qty.	Std. Pkg.	Wt./per 100
NMCG50-1	1/2"	25	125	3
NMCG50-2	1/2"	25	125	3
NMCG75-1	3/4"	10	100	6
NMCG75-2	3/4"	10	100	6
NMCG100-1	1"	10	100	9
NMCG100-2	1"	10	100	9

### Cable Ranges

Cat. #	Size	Min. - Max.	A	B	C
NMCG50-1	1/2"	.170 - .260	1.968"	.590"	.945"
NMCG50-2	1/2"	.236 - .472	1.968"	.590"	.945"
NMCG75-1	3/4"	.250 - .480	2.007"	.590"	1.299"
NMCG75-2	3/4"	.472 - .709	2.007"	.590"	1.299"
NMCG100-1	1"	.470 - .680	2.401"	.748"	1.653"
NMCG100-2	1"	.669 - .984	2.401"	.748"	1.653"

NM Cord Connectors



## Industrial Grade Cord Grips with Stainless Steel Mesh

- Industrial specification grade screw machined steel, zinc plated
- UL rated Liquid Tight
- Multi-weave stainless steel mesh
- Indoor and outdoor use
- Color coded grommet to indicate cable diameter range and to insure an oil and watertight seal



**SPEC-grade**



### Straight Connectors

Cat. #	Color	Size	Cable Ranges		Std Pkg	WT/100
			Min.	Max		
CG50A250GT	Red	1/2"	.150	.250	5	10
CG50A350GT	White	1/2"	.250	.350	5	10
CG50A450GT	Blue	1/2"	.350	.450	5	10
CG50A560GT	Green	1/2"	.450	.560	5	10
CG50A650GT	Brown	1/2"	.560	.650	5	10
CG75A250GT	Red	3/4"	.150	.250	5	15
CG75A350GT	White	3/4"	.250	.350	5	15
CG75A450GT	Blue	3/4"	.350	.450	5	15
CG75A560GT	Green	3/4"	.450	.560	5	20
CG75A650GT	Brown	3/4"	.560	.650	5	20
CG75B750GT	Yellow	3/4"	.650	.750	5	20
CG75B850GT	Purple	3/4"	.750	.850	5	25
CG100B560GT	Green	1"	.450	.560	5	30
CG100B650GT	Brown	1"	.560	.650	5	30
CG100B750GT	Yellow	1"	.650	.750	5	30
CG100B850GT	Purple	1"	.750	.850	5	35
CG100C950GT	Grey	1"	.850	.950	5	35
CG100C1050GT	Black	1"	.950	1.050	5	40

Larger size cord grips with mesh available upon request

Wire Mesh CG 4.1





## Industrial Grade Cord Grips with Stainless Steel Mesh

- Industrial specification grade screw machined steel, zinc plated
- UL rated Liquid Tight
- Multi-weave stainless steel mesh
- Indoor and outdoor use
- Color coded grommet to indicate cable diameter range and to insure an oil and watertight seal

**SPEC-grade**



### Straight Connectors

Cat. #	Color	Cable Ranges		Std Max	WT/ Pkg	100
		Size	Min.			
CG125C850GT	Purple	1-1/4"	.750	.850	5	48
CG125C950GT	Grey	1-1/4"	.850	.950	5	48
CG125D1050GT	Black	1-1/4"	.950	1.050	5	48
CG125D1150GT	Orange	1-1/4"	1.050	1.150	5	48
CG125D1250GT	Red	1-1/4"	1.150	1.250	5	48
CG125D1375GT	White	1-1/4"	1.250	1.375	5	48
CG150D1050GT	Black	1-1/2"	.950	1.050	2	90
CG150D1150GT	Orange	1-1/2"	1.050	1.150	2	90
CG150D1250GT	Red	1-1/2"	1.150	1.250	2	90
CG150D1375GT	White	1-1/2"	1.250	1.375	2	90
CG150E1500GT	Blue	1-1/2"	1.380	1.500	2	90
CG150E1630GT	Green	1-1/2"	1.500	1.630	2	90
CG150E1750GT	Brown	1-1/2"	1.630	1.750	2	90
CG150E1880GT	Purple	1-1/2"	1.750	1.880	2	90
CG200F1380GT	Red	2"	1.250	1.380	2	125
CG200F1500GT	Blue	2"	1.380	1.500	2	125
CG200F1630GT	Green	2"	1.500	1.630	2	125
CG200F1750GT	Brown	2"	1.630	1.750	2	125
CG200F1810GT	Yellow	2"	1.690	1.810	2	125
CG200F1880GT	Purple	2"	1.750	1.880	2	125
CG200F1940GT	White	2"	1.810	1.940	2	125
CG200F2060GT	Orange	2"	1.940	2.060	2	125

\*\* Cable jacket may have to be stripped to pass through connector body

Wire Mesh CG 4



## Industrial Grade Aluminum Cord Grips with Stainless Steel Mesh

- Screw machined lightweight, durable aluminum
- Resistant to moisture and most normal and hazardous atmospheric conditions
- UL rated Liquid Tight
- Multi-weave stainless steel mesh
- Indoor and outdoor use
- Color coded grommet to indicate cable diameter range and to insure an oil and watertight seal

**SPEC-grade**



### Straight Connectors

Cat. #	Color	Size	Cable Ranges		Std Pkg	WT/ 100
			Min.	Max		
CG1ALGT	Red	1/2"	.150	.250	5	5
CG2ALGT	White	1/2"	.250	.350	5	5
CG3ALGT	Blue	1/2"	.350	.450	5	5
CG4ALGT	Green	1/2"	.450	.560	5	5
CG5ALGT	Brown	1/2"	.560	.650	5	5
CG6ALGT	Red	3/4"	.150	.250	5	8
CG7ALGT	White	3/4"	.250	.350	5	8
CG8ALGT	Blue	3/4"	.350	.450	5	8
CG9ALGT	Green	3/4"	.450	.560	5	10
CG10ALGT	Brown	3/4"	.560	.650	5	10
CG11ALGT	Yellow	3/4"	.650	.750	5	10
CG12ALGT	Purple	3/4"	.750	.850	5	13

Wire Mesh CG 5



## Industrial Grade 90° Cord Grips with Stainless Steel Mesh

- Industrial specification grade steel, zinc plated
- UL rated Liquid Tight
- Multi-weave stainless steel mesh
- Indoor and outdoor use
- Color coded grommet to indicate cable diameter range and to insure an oil and watertight seal

**SPEC-grade**



### 90° Angle Connectors

Cat. #	Color	Size	Cable Ranges		Std Pkg	WT/ 100
			Min.	Max		
CG50A25090GT	Red	1/2"	.150	.250	5	25
CG50A35090GT	White	1/2"	.250	.350	5	25
CG50A45090GT	Blue	1/2"	.350	.450	5	25
CG50A56090GT	Green	1/2"	.450	.560	5	25
CG50A65090GT	Brown	1/2"	.560	.650	5	25
CG75A25090GT	Red	3/4"	.150	.250	5	45
CG75A35090GT	White	3/4"	.250	.350	5	45
CG75A45090GT	Blue	3/4"	.350	.450	5	45
CG75A56090GT	Green	3/4"	.450	.560	5	45
CG75A65090GT	Brown	3/4"	.560	.650	5	45
CG75B75090GT	Yellow	3/4"	.650	.750	5	45
CG75B85090GT	Purple	3/4"	.750	.850	5	45
CG100B56090GT	Green	1"	.450	.560	5	68
CG100B65090GT	Brown	1"	.560	.650	5	68
CG100B75090GT	Yellow	1"	.650	.750	5	68
CG100B85090GT	Purple	1"	.750	.850	5	68
CG100C95090GT	Grey	1"	.860	.950	5	68
CG100C105090GT	Black	1"	.950	1.050	5	68

Wire Mesh CG 6

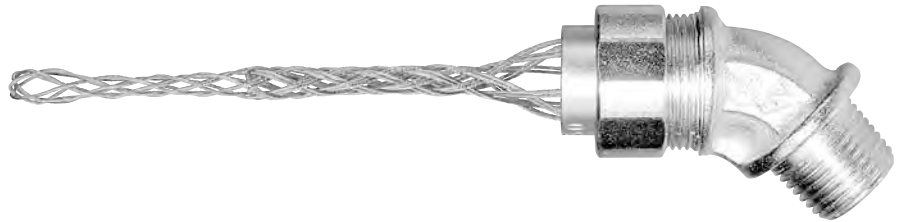


Made in the USA Since 1946

## Industrial Grade 45° Cord Grips with Stainless Steel Mesh

- Industrial specification grade steel, zinc plated
- UL rated Liquid Tight
- Multi-weave stainless steel mesh
- Indoor and outdoor use
- Color coded grommet to indicate cable diameter range and to insure an oil and watertight seal

**SPEC-grade**



### 45° Angle Connectors

Cat. #	Color	Size	Cable Ranges		Std Pkg	WT/ 100
			Min.	Max		
CG50A25045GT	Red	1/2"	.150	.250	5	25
CG50A35045GT	White	1/2"	.250	.350	5	25
CG50A45045GT	Blue	1/2"	.350	.450	5	25
CG50A56045GT	Green	1/2"	.450	.560	5	25
CG50A65045GT	Brown	1/2"	.560	.650	5	25
CG75A25045GT	Red	3/4"	.150	.250	5	40
CG75A35045GT	White	3/4"	.250	.350	5	40
CG75A45045GT	Blue	3/4"	.350	.450	5	40
CG75A56045GT	Green	3/4"	.450	.560	5	40
CG75A65045GT	Brown	3/4"	.560	.650	5	40
CG75B75045GT	Yellow	3/4"	.650	.750	5	40
CG75B85045GT	Purple	3/4"	.750	.850	5	40
CG100B56045GT	Green	1"	.450	.560	5	68
CG100B65045GT	Brown	1"	.560	.650	5	68
CG100B75045GT	Yellow	1"	.650	.750	5	68
CG100B85045GT	Purple	1"	.750	.850	5	68
CG100C95045GT	Grey	1"	.850	.950	5	68
CG100C105045GT	Black	1"	.950	1.050	5	68

Wire Mesh CG 7

Industrial Grade  
Made in USA

1/2" to 2"  
Greenfield Connectors

## The NEXT Generation of Greenfield Connectors

# SPEC-flex connector system™



Patent Pending

*Does NOT Restrict and Reduce Conduit ID Like "Screw In" Styles*

**The Only Connector that *Easily Installs ON FMC WITHOUT a TOOL!***

**TURN IT ON** with  
**SPEC-flex** connectors

Now Available 1/2" to 2" Trade Sizes  
Available in Aluminum or Zinc Plated Steel



Since 1946

**AMERICAN FITTINGS**  
Corporation

800.221.5268  
amftgs.com

Fair Lawn, New Jersey

Saves Labor on Every Connection  
No Screw or Crimp Required to Install  
Simply, Turn It On Your FMC  
No Screws to Pinch or Pierce Conduit  
Maintains Full Integrity of the Conduit  
Exceeds UL Pullout Requirements by 300%  
Fully-Machined Solid Steel or Aluminum  
Count-On a Safe Burr-less Wire Pull  
Connects to Box with Furnished Locknut  
Available With & Without Insulated Throat  
Adapters Available for FMC to Rigid, EMT, LT, & Cord

**Made in the USA**

© 2014 AMERICAN FITTINGS





**Installs On FMC with a  
Few Easy Turns  
No Tools Required**

## SPECflex™

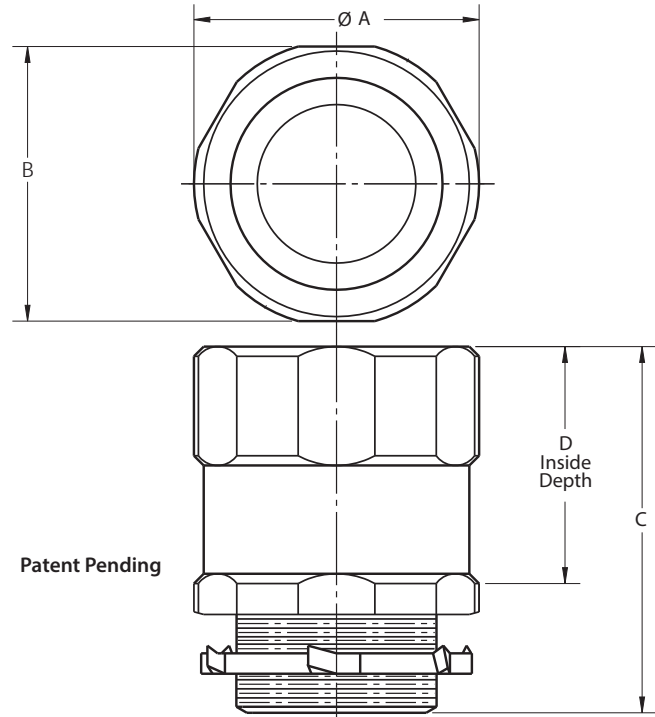
### Industrial Specification Grade Connector Fittings for Flexible Metal Conduit



- Saves Labor on Every Connection
- No Screw or Crimp Required to Install
- No Screws to Pinch or Pierce Conduit
- NOT** a Thin Wall Die Cast Fitting
- Maintains Full Integrity of Conduit ID & OD
- Count-On a Safe Burr-less Wire Pull
- Allows More Room Inside Conduit For Wire
- Exceeds UL Pullout Requirements by 300 %
- Fully-Machined Solid Steel or Aluminum
- Adapters Available to Connect FMC to Rigid Pipe or EMT

Full USA Material Certs for  
ARRA and Buy American Act

Industrial Grade Locknut Furnished With  
Knurled Face for Full Bonding to Enclosure



Patent Pending



Furnished with N.P.S Threads  
and Industrial Grade Locknut, and  
Insulated Throat Bushing

Cat # **	Trade Size	Material *	A Ø	B	C	D
FLX50B	1/2"	STEEL	1-5/32"	1-1/8"	1-9/16"	1-1/16"
FLX50BAL	1/2"	ALUMINUM	1-5/32"	1-1/8"	1-9/16"	1-1/16"
FLX75B	3/4"	STEEL	1-7/16"	1-3/8"	1-9/16"	1-1/16"
FLX75BAL	3/4"	ALUMINUM	1-7/16"	1-3/8"	1-9/16"	1-1/16"
FLX100B	1"	STEEL	1-11/16"	1-5/8"	1-5/8"	1-1/16"
FLX100BAL	1"	ALUMINUM	1-11/16"	1-5/8"	1-5/8"	1-1/16"
FLX125B	1-1/4"	STEEL	2-1/32"	1-61/64"	1-5/8"	1-1/16"
FLX125BAL	1-1/4"	ALUMINUM	2-1/8"	2"	1-5/8"	1-1/16"
FLX150B	1-1/2"	STEEL	2-9/32"	2-3/16"	1-29/32"	1-1/4"
FLX150BAL	1-1/2"	ALUMINUM	2-9/32"	2-3/16"	1-29/32"	1-1/4"
FLX200B	2"	STEEL	2-57/64"	2-25/32"	2"	1-9/32"
FLX200BAL	2"	ALUMINUM	2-57/64"	2-25/32"	2"	1-9/32"

Note: SPECflex is manufactured and designed to work with all brands of UL FMC manufactured in the USA. Due to the non-consistency of manufacture, we cannot guarantee compliance with offshore cables. If in doubt, request a free product sample.

\* Solid Steel Fully Zinc Plated for Corrosion Resistance  
Aluminum is Aircraft Grade Aluminum

\*\* Consult factory for non-insulated throat parts.



# SPECflex™ Connector System

## FLEX Series Industrial Flexible Metal Conduit Connectors

Patent Pending, Uniquely Engineered for Industrial Projects and OEM Product Performance and Reliability

Superior Performance for Secure Connectors and Fast Disconnect  
GripsTight, Grips Right on Every Connection

90° and 45° Adapters Used to Connect FMC to a Box or Enclosure

Sizes Available 1/2" - 2" Trade Size  
Solid Steel Fully Machined FMC SPEC-flex Connectors  
Made in the USA



90° Adapter  
FMC to Enclosure

Furnished with Industrial Grade Locknut, Sealing Washer and Insulated Throat



45° Adapter  
FMC to Enclosure

## SPECflex™ ADAPTERS

Now You Can Transition Flexible Metal Conduit to Pipe, Cord or LT

SPEC-flex Adapters Convert Greenfield / FMC to Pipe or Cord

Adapters Used to Easily  
Transition FMC to EMT, Rigid Conduit, Cord, or Liquid Tight Cable  
and Conform to UL specifications

Sizes Available 1/2" - 2" Trade Size



Cord — Conduit — Liquid Tight

Our SPECflex Adapter System is Your Solution



Greenfield to Conduit

Available Set Screw & Compression EMT or Rigid Conduit



Greenfield to LT or Cord

Please Consult with Factory for Part Number 800.221.5268 or to Request Samples



# SPECflex™ Connector System

## FLEX Series Industrial Flexible Metal Conduit Connectors

Patent Pending, Uniquely Engineered for Industrial Projects and OEM Product Performance and Reliability

Superior Performance for Secure Connectors and Fast Disconnect  
GripsTight, Grips Right on Every Connection

90° and 45° Adapters Used to Connect FMC to a Box or Enclosure

Sizes Available 1/2" - 2" Trade Size  
Solid Steel Fully Machined FMC SPEC-flex Connectors  
Made in the USA



90° Adapter  
FMC to Enclosure

Furnished with Industrial Grade Locknut, Sealing Washer and Insulated Throat



## SPECflex™ ADAPTERS

Now You Can Transition Flexible Metal Conduit to Pipe, Cord or LT

SPEC-flex Adapters Convert Greenfield / FMC to Pipe or Cord

Adapters Used to Easily  
Transition FMC to EMT, Rigid Conduit, Cord, or Liquid Tight Cable  
and Conform to UL specifications

Sizes Available 1/2" - 2" Trade Size



Cord ——— Conduit ——— Liquid Tight

Our SPECflex Adapter System is Your Solution



Greenfield to Conduit

Available Set Screw & Compression EMT or Rigid Conduit



Greenfield to LT or Cord

Please Consult with Factory for Part Number 800.221.5268 or to Request Samples





# AMERICAN FITTINGS Corporation

Made in the USA Since 1946

Industrial SPEC-flex™  
FMC to Enclosure  
90° Conduit Adapters  
1/2" to 1-1/4"

## FLEX Series Industrial Flexible Metal Conduit Connectors

Solid Steel Fully Machined FMC SPEC-flex Connectors  
Made in the USA

90° Adapter Used to Connect FMC to a Box or Enclosure

Patent Pending Uniquely Engineered for Industrial Projects and  
OEM Product Performance

Superior Performance for Secure Connectors and Fast Disconnect  
GripsTight, Grips Right on Every Connection

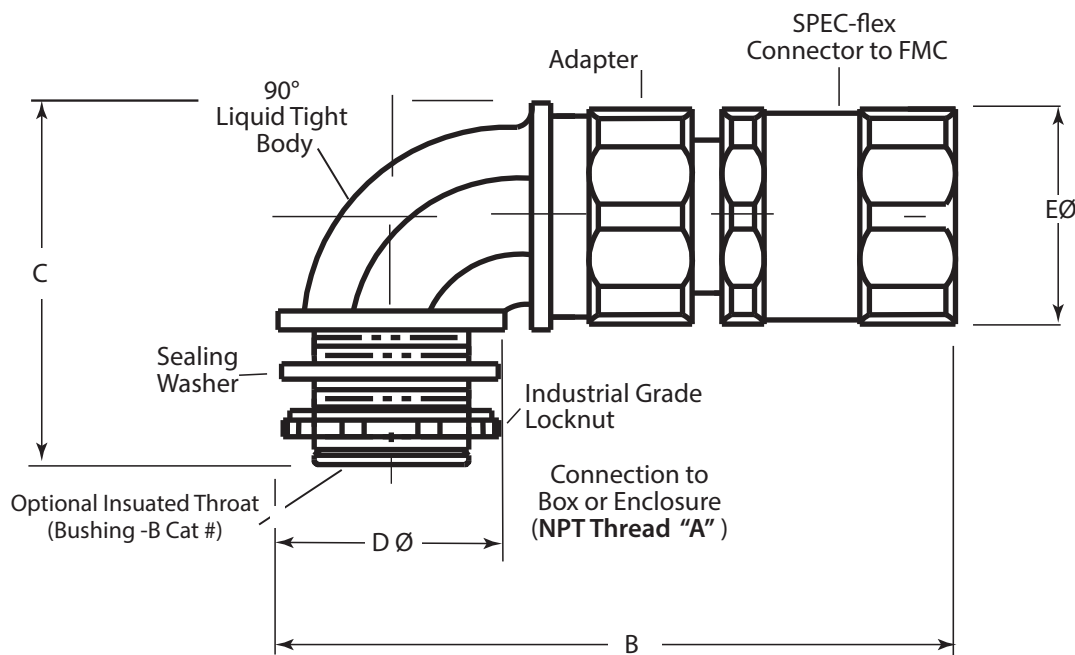
Furnished with Our Industrial Grade Locknut and Sealing Washer with an  
Optional UL Component Temperature Rated 150°C Insulated Throat

**Save Time on Every Connection!**

## SPECflex™ Connector System



90° Adapter  
FMC to Enclosure  
Made in the USA



SPECflex Industrial Grade FMC Connectors 90° Adapters

Cat #	Trade Size	A	B	C	D Ø	E Ø
FLX5090 *	1/2"	1/2" - 14NPT	3.35	1.84	1.18	1.19
FLX7590 *	3/4"	3/4" - 14NPT	3.59	2.33	1.35	1.44
FLX10090 *	1"	1" - 11.5NPT	4.00	2.74	1.67	1.75
FLX12590 *	1 1/4"	1 1/4" - 11.5NPT	4.32	2.97	2.00	2.12
FLX15090 *	1 1/2"	1 1/2" - 11.5NPT	5.05	3.28	2.25	2.37
FLX20090 *	2"	2" - 11.5NPT	5.66	3.82	2.75	2.89

\*Add "B" Suffix to Cat # for Insulated Throat Option i.e. FLX5090B

FLX-Adapt.1213.1

amftgs.com

t: 800.221.5268

e: info@amftgs.com



# AMERICAN FITTINGS Corporation

Made in the USA Since 1946

Industrial SPEC-flex™  
FMC to Enclosure  
45 Conduit Adapters  
1/2" to 1-1/4"

## FLEX Series Industrial Flexible Metal Conduit Connectors

Solid Steel Fully Machined FMC SPEC-flex Connectors  
Made in the USA

45° Adapter Used to Connect FMC to a Box or Enclosure

Patent Pending Uniquely Engineered for Industrial Projects and  
OEM Product Performance

Superior Performance for Secure Connectors and Fast Disconnect  
GripsTight, Grips Right on Every Connection

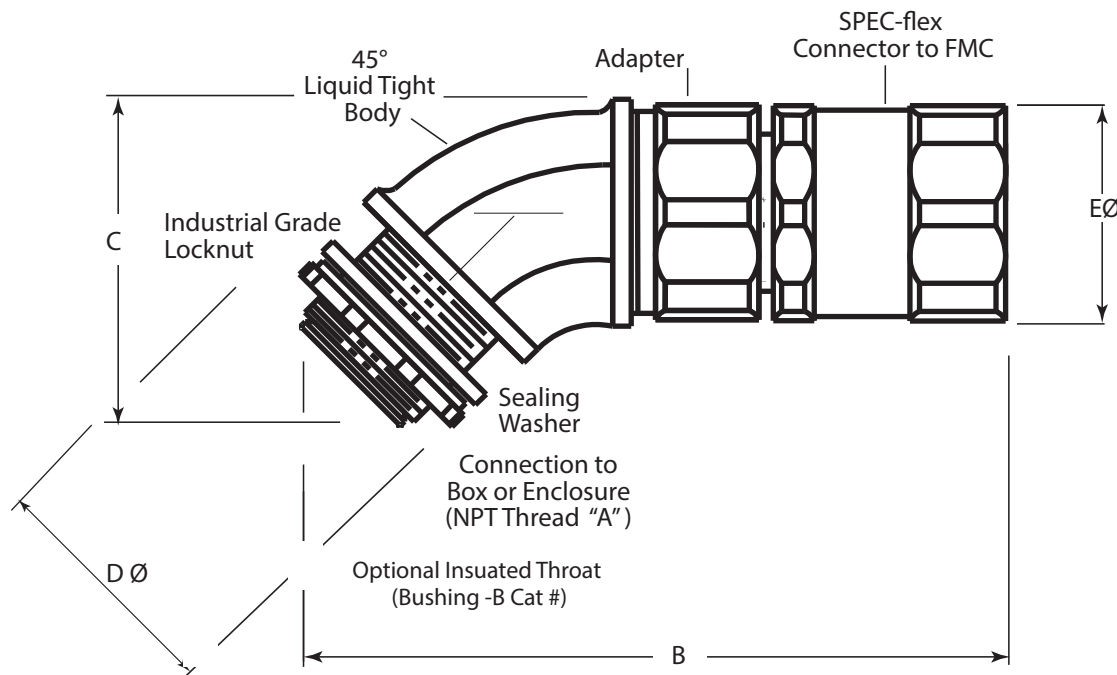
Furnished with Our Industrial Grade Locknut and Sealing Washer with an  
Optional UL Component Temperature Rated 150°C Insulated Throat

**Save Time on Every Connection!**

## SPECflex™ Connector System



45° Adapter  
FMC to Enclosure  
Made in the USA



**SPECflex Industrial Grade FMC Connectors 45° Adapters**

Cat #	Trade Size	A	B	C	D Ø	E Ø
FLX5045 *	1/2"	1/2" - 14NPT	3.66	1.67	1.18	1.19
FLX7545 *	3/4"	3/4" - 14NPT	3.79	1.95	1.35	1.44
FLX10045 *	1"	1" - 11.5NPT	3.99	2.15	1.67	1.75
FLX12545 *	1 1/4"	1 1/4" - 11.5NPT	4.25	2.46	2.00	2.12
FLX15045 *	1 1/2"	1 1/2" - 11.5NPT	4.99	2.79	2.25	2.37
FLX20045 *	2"	2" - 11.5NPT	5.50	3.32	2.75	2.89

\*Add "B" Suffix to Cat # for Insulated Throat Option i.e. FLX5045B

FLX-Adapt. 1213.1

amftgs.com

t: 800.221.5268

e: info@amftgs.com



# AMERICAN FITTINGS Corporation

Made in the USA Since 1946



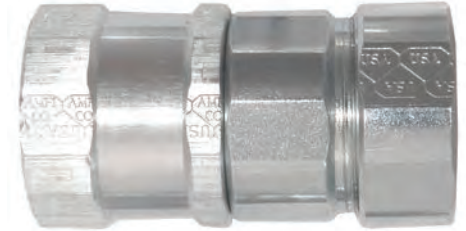
Industrial SPECflex Adapter  
FMC to EMT Compression  
1/2" - 2"

**FLEX Series Industrial Flexible Metal Conduit Adapter  
Transitions FMC (Greenfield) to EMT  
Made in the USA**

Solid Steel Fully Machined SPECflex Connector with  
AMFICO Industrial EMT Compression Coupling  
Fittings are Solid Steel Zinc Plated

Patent Pending Uniquely Engineered for Industrial Projects and  
OEM Product Performance  
**Superior Performance for Secure Connection and Fast Disconnect  
No Tools Required to Install Conduit**

## SPECflex Connector System

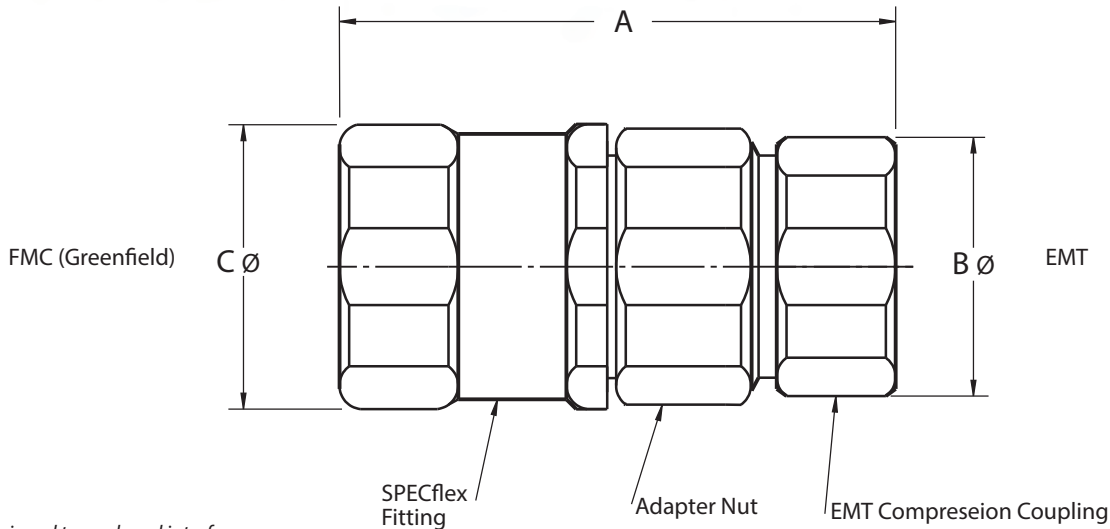


Greenfield to EMT Compression

**Save Time on Every Connection!**



**Grips Tight and Right on Every Connection**



**Note:**  
SPECflex connectors are designed to work and interface  
with UL listed, Made in USA FMC / Greenfield conduit.  
We cannot guarantee fit, form, or function with non-UL  
off-shore conduit.  
Request a sample from factory to ensure capability.

### SPECflex EMT Adapters

Cat #	Trade Size	A	B Ø	C Ø
FLXEMT50	1/2"	2.43	.97	1.19
FLXEMT75	3/4"	2.46	1.22	1.43
FLXEMT100	1"	2.58	1.49	1.75
FLXEMT125	1-1/4"	2.69	1.88	2.16
FLXEMT150	1-1/2"	3.16	2.14	2.38
FLXEMT200	2"	3.29	2.69	2.88

**Note:**  
Also available in  
Set Screw EMT, Rigid,  
Liquid Tight and Cord.

FLXEMT. 092014.1t

# AMERICAN FITTINGS Corporation

Made in the USA Since 1946



Industrial SPEC-flex Adapter  
FMC to Liquid Tight  
1/2" - 2"

## SPECflex Connector System

FLEX Series Industrial Flexible Metal Conduit Adapter  
Transitions FMC (Greenfield) to Liquid Tight Cord & Cable  
Made in the USA

Solid Steel Fully Machined SPECflex Connector with  
AMFICO Industrial Grade Liquid Tight Cord & Cable Connector

Patent Pending Uniquely Engineered for Industrial Projects and  
OEM Product Performance

**Superior Performance for Secure Connection and Fast Disconnect**  
**No Tools Required to Install Conduit**

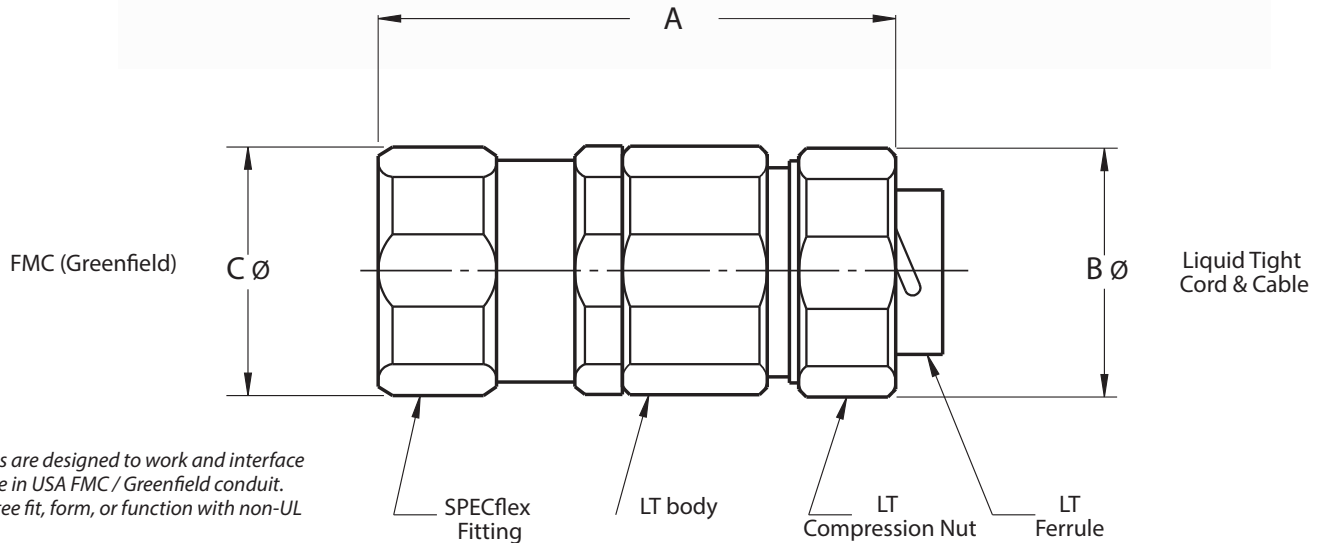


Greenfield to Liquid Tight

**Save Time on Every Connection!**



**Grips Tight and Right on Every Connection**



Liquid Tight  
Cord & Cable

**Note:**  
SPECflex connectors are designed to work and interface  
with UL listed, Made in USA FMC / Greenfield conduit.  
We cannot guarantee fit, form, or function with non-UL  
off-shore conduit.  
Request a sample from factory to ensure capability.

**SPECflex Liquid Tight Adapters**

Cat #	Trade Size	A	B Ø	C Ø
FLXLT50	1/2"	2.53	1.19	1.16
FLXLT75	3/4"	2.61	1.43	1.44
FLXLT100	1"	2.76	1.75	1.69
FLXLT125	1-1/4"	2.97	2.16	2.03
FLXLT150	1-1/2"	3.38	2.38	2.28
FLXLT200	2"	3.54	2.88	2.89

FKXLT. 092014.1t



# AMERICAN FITTINGS Corporation

Made in the USA Since 1946

Industrial SPEC-*grade*™  
Armored / Metal Clad FMC  
Steel Connector  
3/8" to 3/4"

## FLEX Series Industrial SPEC-*grade*™ AC-MC Connectors

Solid Steel Fully Machined Connectors

Certified Made in the USA

For Use with Armored or Flex Metal Clad Conduit

Superior Life & Performance Over Zinc Die Cast and Malleable Iron Products

Unique Saddle Design Allows Industrial Strength Grip on FMC and Armored Cable

Solid Steel Body and Hex Nut Design Allows Full Strength Torque of Steel Screw

Solid Machined Steel Fully Zinc Plated

Furnished with UL Component Temperature Rated 150°C Insulated Throat and

Industrial Grade Locknut

Secure *GripTight, GripRight Connection*™ to Enclosure or Box

**Save Time on Every Connection!**

**Why Bite Tight, When You Can Grip Tight, Grip Right™**

**Superior Grip and Hold on Flex Conduit.**

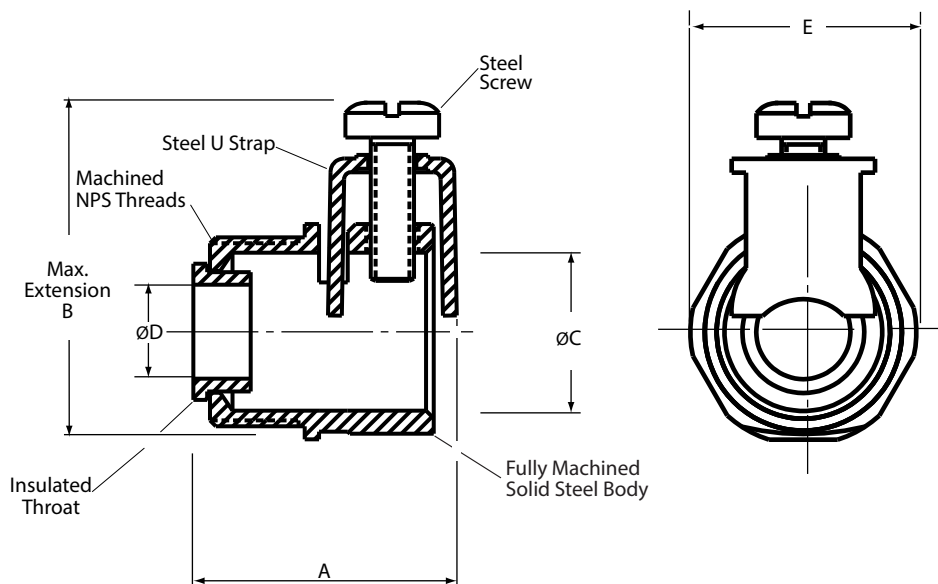
**Unlike Inferior Die Cast Connectors,**

**Our Flex Fittings Will NOT Crack or Deform During Installation.**

## SPEC-*grade*™

Designed to

**GRIP Tight, GRIP Right™**



### FLEX Series Industrial SPEC-*grade* AC-MC Connectors

Cable Range AC Cable Size MC Cable Size

Catalog #	Trade Size	Knockout	A	B	C	D	E	Min.	Max.	Min.	Max.	Min.	Max.
ACMC 38	3/8"	1/2"	1-3/16"	1-1/2"	11/16"	3/8"	.97"	.38"	.66"	14/2	10/4	14/2	10/4
ACMC 50	1/2"	1/2"	1-3/8"	1-3/4"	15/16"	9/16"	1.17"	.63"	.92"	8/3	6/4	10/4	6/3
ACMC 75	3/4"	3/4"	1-13/32"	2"	1-5/32"	3/4"	1.40"	.91"	1.12"	6/4	4/3	6/4	3/4

**Be Sure to Ask About Our Revolutionary SPEC-*flex* FMC Connector, It Installs Without a Tool.**

amftgs.com

t: 800.221.5268

e: info@amftgs.com



Made in the USA Since 1946

## Liquid Tight Connectors Reusable Fittings

- Industrial specification grade, screw machined steel, zinc plated
- UL Rated Liquid Tight
- Includes sealing washer
- Bonds conduit to box or enclosure
- Corrosion resistant protection from moisture & oils
- Designed to protect against excessive vibration

## Straight Connectors (STR)

Cat. #	Size	Unit Ctn	Std Pkg	WT/ 100
STR38	3/8"	20	200	10
STR50	1/2"	20	200	13
STR75	3/4"	20	100	18
STR100	1"	5	50	32
STR125	1-1/4"	5	25	44
STR150	1-1/2"	5	25	66
STR200	2"	5	25	85
STR250**	2-1/2"	-	5	260
STR300**	3"	-	4	360
STR350**	3-1/2"	-	4	445
STR400**	4"	-	2	520
STR500**	5"	-	1	1150

6" connectors available upon request

\*\* Malleable Iron

## Dimensional Table

Cat. #	A Diameter	B Overall Length	C Length of Thread
STR38/B	1.09	1.19	.63
STR50/B	1.19	1.34	.63
STR75/B	1.43	1.43	.63
STR100/B	1.75	1.63	.66
STR125/B	2.16	1.84	.67
STR150/B	2.38	2.00	.72
STR200/B	2.88	2.13	.72
STR250/B	4.00	3.25	1.50
STR300/B	4.63	3.88	1.50
STR350/B	5.50	4.00	1.50
STR400/B	5.82	4.00	1.63
STR500/B	7.00	5.00	1.63

## SPEC-grade



E93605



LR61799

UL rated suitable for hazardous locations  
Class I, Div. 2; Class II, Div. 1 and 2;  
Class III, Div. 1 and 2; NEC 501-4(b), 505-4(a), 503-3(a)

Featuring:  
**EZ-Torque Compression Nut**

## Straight Connectors with Insulated Throat

Cat. #	Size	Unit Ctn	Std Pkg	WT/ 100
STR38B	3/8"	20	200	10
STR50B	1/2"	20	200	13
STR75B	3/4"	20	100	18
STR100B	1"	5	50	32
STR125B	1-1/4"	5	25	44
STR150B	1-1/2"	5	25	66
STR200B	2"	5	25	85
STR250B**	2-1/2"	-	5	260
STR300B**	3"	-	4	360
STR350B**	3-1/2"	-	4	445
STR400B**	4"	-	2	520
STR500B**	5"	-	1	1150

6" connectors available upon request

\*\* Malleable Iron



Made in the USA Since 1946

## Liquid Tight Connectors 90° Reusable Fittings

- Industrial specification grade steel, zinc plated
- Malleable iron body
- UL rated Liquid Tight
- Includes sealing washer
- Bonds conduit to box or enclosure
- Corrosion resistant protection from moisture & oils
- Designed to protect against excessive vibration

### 90° Angle Connectors (STR)

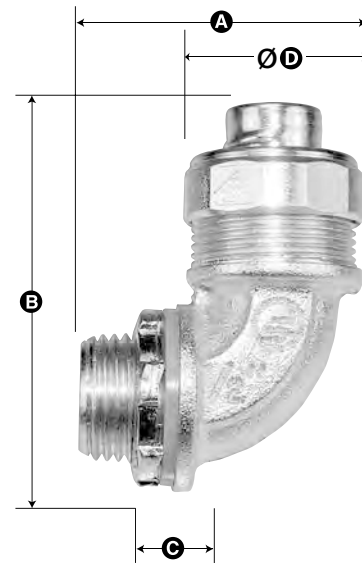
Cat. #	Size	Unit Ctn	Std Pkg	WT/ 100
STR3890**	3/8"	10	100	24
STR5090**	1/2"	10	100	24
STR7590**	3/4"	5	50	38
STR10090**	1"	5	25	70
STR12590**	1-1/4"	2	20	88
STR15090**	1-1/2"	1	10	125
STR20090**	2"	1	5	180
STR25090	2-1/2"	-	2	625
STR30090	3"	-	1	900
STR35090	3-1/2"	-	1	1000
STR40090	4"	-	2	1500

\*\*Steel Nut

### Dimensional Table

Cat. #	A	B	C Length of Thread	D Ø
STR3890/B	1.25	1.59	.59	1.09
STR5090/B	1.25	1.66	.59	1.19
STR7590/B	1.53	1.78	.59	1.43
STR10090/B	1.84	2.19	.66	1.75
STR12590/B	1.94	2.38	.69	2.16
STR15090/B	2.09	2.63	.72	2.38
STR20090/B	2.41	3.06	.72	2.88
STR25090/B	8.00	9.25	1.50	?
STR30090/B	8.75	10.50	1.50	?
STR35090/B	10.93	11.50	1.50	?
STR40090/B	12.63	13.00	1.50	?

## SPEC-grade



E93605



LR61799

UL rated suitable for hazardous locations  
Class I, Div. 2; Class II, Div. 1 and 2;  
Class III, Div. 1 and 2; NEC 501-4(b), 505-4(a), 503-3(a)

Featuring:  
**EZ-Torque Compression Nut**

### 90° Angle Connectors with Insulated Throat

Cat. #	Size	Unit Ctn	Std Pkg	WT/ 100
STR3890B**	3/8"	10	100	24
STR5090B**	1/2"	10	100	24
STR7590B**	3/4"	5	50	38
STR10090B**	1"	5	25	70
STR12590B**	1-1/4"	2	20	88
STR15090B**	1-1/2"	1	10	125
STR20090B**	2"	1	5	180
STR25090B	2-1/2"	-	2	625
STR30090B	3"	-	1	900
STR35090B	3-1/2"	-	1	1000
STR40090B	4"	-	2	1500

\*\*Steel Nut





Made in the USA Since 1946

## Liquid Tight Connectors 45° Reusable Fittings

- Industrial specification grade steel, zinc plated
- Malleable iron body
- UL rated Liquid Tight
- Includes sealing washer
- Bonds conduit to box or enclosure
- Corrosion resistant protection from moisture & oils
- Designed to protect against excessive vibration

### 45° Angle Connectors (STR)

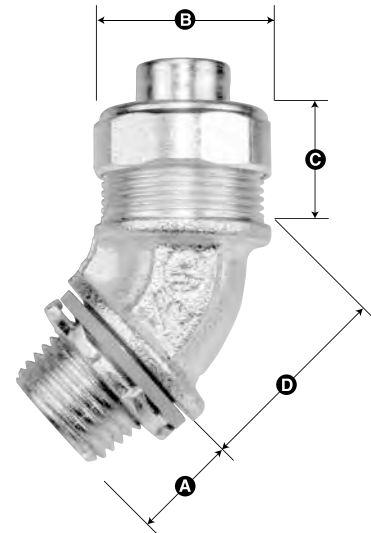
Cat. #	Size	Unit Ctn	Std Pkg	WT/ 100
STR3845**	3/8"	10	100	21
STR5045**	1/2"	10	100	23
STR7545**	3/4"	10	50	32
STR10045**	1"	5	50	53
STR12545**	1-1/4"	5	25	69
STR15045**	1-1/2"	3	15	99
STR20045**	2"	1	10	152
STR25045	2-1/2"	-	2	478
STR30045	3"	-	2	775
STR35045	3-1/2"	-	1	880
STR40045	4"	-	1	1000

\*\* Steel Nut

### Dimensional Table

Cat. #	A	B	C	D
STR3845/B	.59	1.09	1.22	1.03
STR5045/B	.59	1.19	1.32	1.03
STR7545/B	.59	1.43	1.38	1.13
STR10045/B	.66	1.75	1.66	1.25
STR12545/B	.69	2.16	1.72	1.34
STR15045/B	.72	2.38	2.00	1.47
STR20045/B	.72	2.88	2.28	1.63
STR25045/B	1.50	4.00	2.25	4.75
STR30045/B	1.50	4.63	2.50	5.50
STR35045/B	1.56	5.25	2.50	6.50
STR40045/B	1.63	5.81	2.50	7.75

## SPEC-grade



E93605



LR61799

UL rated suitable for hazardous locations  
Class I, Div. 2; Class II, Div. 1 and 2;  
Class III, Div. 1 and 2; NEC 501-4(b), 502-4(a), 503-3(a)

Featuring:  
**EZ-Torque Compression Nut**

### 45° Angle Connectors with Insulated Throat

Cat. #	Size	Unit Ctn	Std Pkg	WT/ 100
STR3845B**	3/8"	10	100	21
STR5045B**	1/2"	10	100	23
STR7545B**	3/4"	10	50	32
STR10045B**	1"	5	50	53
STR12545B**	1-1/4"	5	25	69
STR15045B**	1-1/2"	3	15	99
STR20045B**	2"	1	10	152
STR25045B	2-1/2"	-	2	478
STR30045B	3"	-	2	775
STR35045B	3-1/2"	-	1	880
STR40045B	4"	-	1	1000

\*\* Steel Nut



Made in the USA Since 1946

## Liquid Tight Connectors Grounding Type with Aluminum Lugs

- A quick, effective solution to connecting liquid tight conduit while terminating a bonding connector in one action
- Sleek screw machined bodies and nuts promote easy installation
- Strong construction and long ferrule prevent pullouts
- All components are reusable
- Furnished with locknut and sealing washer

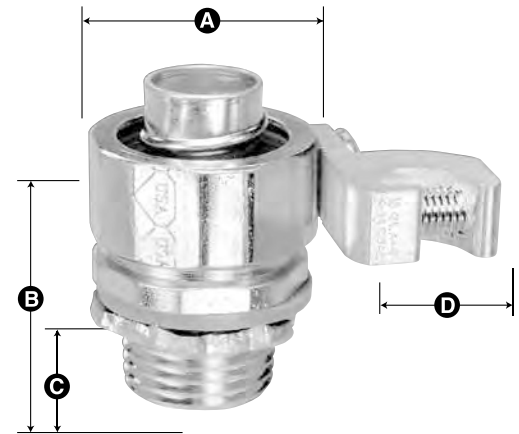
### Straight Connectors (STR)

Cat. #	Size	Unit Ctn	Std Pkg	WT/100
STR38GL	3/8"	25	125	12
STR50GL	1/2"	25	125	15
STR75GL	3/4"	25	125	20
STR100GL	1"	10	50	34
STR125GL	1-1/4"	5	25	46
STR150GL	1-1/2"	5	25	68
STR200GL	2"	2	10	87
STR250GL	2-1/2"	-	5	267
STR300GL	3"	-	4	367
STR350GL	3-1/2"	-	3	464
STR400GL	4"	-	2	539

### Dimensional Table

Cat. #	A	B	C	D	Wire Size	
	Diameter	Overall Length	Length of Thread	Length of Lug	Min	Max
STR38GL	1.09	1.19	.63	.750	14	4
STR50GL	1.19	1.34	.63	.750	14	4
STR75GL	1.43	1.43	.63	.750	14	4
STR100GL	1.75	1.63	.66	.750	14	4
STR125GL	2.16	1.84	.67	.750	14	4
STR150GL	2.38	2.00	.72	.750	14	4
STR200GL	2.88	2.13	.72	.750	14	4
STR250GL	4.00	3.25	1.50	1.093	8	110
STR300GL	4.63	3.88	1.50	1.093	8	110
STR350GL	5.50	4.00	1.50	1.687	6	250
STR400GL	5.82	4.00	1.63	1.687	6	250

## SPEC-grade



UL rated suitable for hazardous locations  
Class I, Div. 2; Class II, Div. 1 and 2;  
Class III, Div. 1 and 2; NEC 501-4(b), 502-4(a), 503-3(a)

Featuring:  
**EZ-Torque Compression Nut**

### Straight Connectors with Insulated Throat

Cat. #	Size	Unit Ctn	Std Pkg	WT/100
STR38BGL	3/8"	25	125	12
STR50BGL	1/2"	25	125	15
STR75BGL	3/4"	25	125	20
STR100BGL	1"	10	50	34
STR125BGL	1-1/4"	5	25	46
STR150BGL	1-1/2"	5	25	68
STR200BGL	2"	2	10	87
STR250BGL	2-1/2"	-	5	267
STR300BGL	3"	-	4	367
STR350BGL	3-1/2"	-	3	464
STR400BGL	4"	-	2	539



Made in the USA Since 1946

## Liquid Tight Connectors 90° Grounding Type with Aluminum Lugs

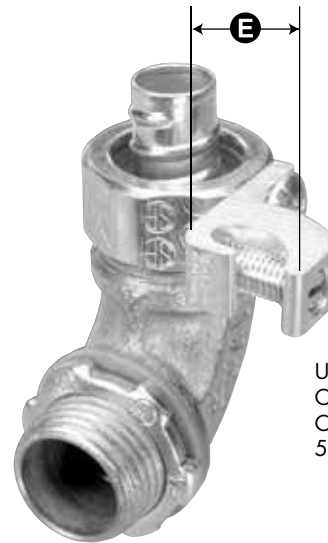
- A quick, effective solution to connecting liquid tight conduit while terminating a bonding connector in one action
- Strong construction and long ferrule prevent pullouts
- All components are reusable
- Furnished with locknut and sealing washer

### 90° Angle Connectors (STR)

Cat. #	Size	Unit Ctn	Std Pkg	WT/ 100
STR3890GL	3/8"	20	100	26
STR5090GL	1/2"	20	100	26
STR7590GL	3/4"	10	50	40
STR10090GL	1"	5	25	72
STR12590GL	1-1/4"	4	20	90
STR15090GL	1-1/2"	3	15	127
STR20090GL	2"	2	10	182
STR25090GL	2-1/2"	-	2	632
STR30090GL	3"	-	1	907
STR35090GL	3-1/2"	-	1	1019
STR40090GL	4"	-	2	1519

### 90° Angle Connectors with Insulated Throat

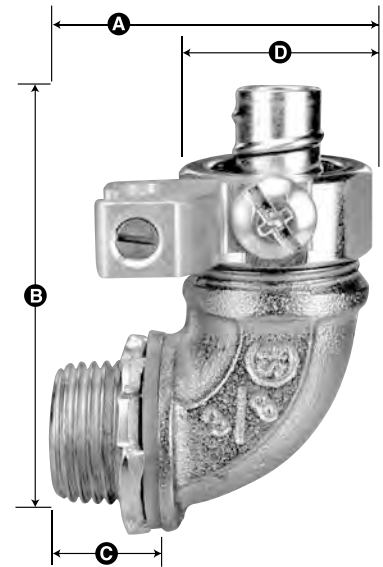
Cat. #	Size	Unit Ctn	Std Pkg	WT/ 100
STR3890GL	3/8"	20	100	26
STR5090GL	1/2"	20	100	26
STR7590GL	3/4"	10	50	40
STR10090GL	1"	5	25	72
STR12590GL	1-1/4"	4	20	90
STR15090GL	1-1/2"	3	15	127
STR20090GL	2"	2	10	182
STR25090GL	2-1/2"	-	2	632
STR30090GL	3"	-	1	907
STR35090GL	3-1/2"	-	1	1019
STR40090GL	4"	-	2	1519



**SPEC-grade**



UL rated suitable for hazardous locations  
Class I, Div. 2; Class II, Div. 1 and 2;  
Class III, Div. 1 and 2; NEC 501-4(b),  
502-4(a), 503-3(a)



Featuring:  
**EZ-Torque Compression Nut**

### Dimensional Table

Cat. #	A	B	C	D	E	Wire Min	Size Max
STR3890GL	1.25	1.59	.59	1.09	.750	14	4
STR5090GL	1.25	1.66	.59	1.19	.750	14	4
STR7590GL	1.53	1.78	.59	1.43	.750	14	4
STR10090GL	1.84	2.19	.66	1.75	.750	14	4
STR12590GL	1.94	2.38	.69	2.16	.750	14	4
STR15090GL	2.09	2.63	.72	2.38	.750	14	4
STR20090GL	2.41	3.06	.72	2.88	.750	14	4
STR25090GL	8.00	9.25	1.50	4.00	1.093	8	110
STR30090GL	8.75	10.50	1.50	4.63	1.093	8	110
STR35090GL	10.93	11.50	1.50	5.50	1.687	6	250
STR40090GL	12.63	13.00	1.50	5.82	1.687	6	250

Liquid Tight Connectors 5



Made in the USA Since 1946

## Liquid Tight Connectors 45° Grounding Type with Aluminum Lugs

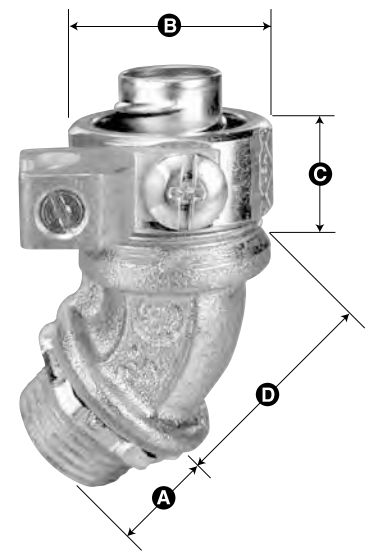
- A quick, effective solution to connecting liquid tight conduit while terminating a bonding connector in one action
- Strong construction and long ferrule prevent pullouts
- All components are reusable
- Furnished with locknut and sealing washer

### 45° Angle Connectors (STR)

Cat. #	Size	Unit Ctn	Std Pkg	WT/ 100
STR3845GL	3/8"	20	100	23
STR5045GL	1/2"	20	100	25
STR7545GL	3/4"	10	50	34
STR10045GL	1"	5	25	55
STR12545GL	1-1/4"	4	20	71
STR15045GL	1-1/2"	3	15	101
STR20045GL	2"	2	10	154
STR25045GL	2-1/2"	-	4	485
STR30045GL	3"	-	2	782
STR35045GL	3-1/2"	-	2	899
STR40045GL	4"	-	1	1019

### 45° Angle Connectors with Insulated Throat

Cat. #	Size	Unit Ctn	Std Pkg	WT/ 100
STR3845BGL	3/8"	20	100	23
STR5045BGL	1/2"	20	100	25
STR7545BGL	3/4"	10	50	34
STR10045BGL	1"	5	25	55
STR12545BGL	1-1/4"	4	20	71
STR15045BGL	1-1/2"	3	15	101
STR20045BGL	2"	2	10	154
STR25045BGL	2-1/2"	-	4	485
STR30045BGL	3"	-	2	782
STR35045BGL	3-1/2"	-	2	899
STR40045BGL	4"	-	1	1019



Featuring:  
EZ-Torque Compression Nut

### Dimensional Table

Cat. #	A	B	C	D	E
STR3845GL	.59	1.09	1.22	1.03	.750
STR5045GL	.59	1.19	1.32	1.03	.750
STR7545GL	.59	1.43	1.38	1.13	.750
STR10045GL	.66	1.75	1.66	1.25	.750
STR12545GL	.69	2.16	1.72	1.34	.750
STR15045GL	.72	2.38	2.00	1.47	.750
STR20045GL	.72	2.88	2.28	1.63	.750
STR25045GL	1.50	4.00	2.25	4.75	1.093
STR30045GL	1.50	4.63	2.50	5.50	1.093
STR35045GL	1.56	5.25	2.50	6.50	1.687
STR40045GL	1.63	5.81	2.50	7.75	1.687

Liquid Tight Connectors 6



Made in the USA Since 1946

## Combination Couplings Liquid Tight Conduit to EMT

- Reusable ferrule
- For rooftop HVAC air conditioners and motor hook-ups
- Steel, zinc plated



UL rated suitable for hazardous locations  
Class I, Div. 2; Class II, Div. 1 and 2;  
Class III, Div. 1 and 2; NEC 501-4(b),  
502-4(a), 503-3(a)

**SPEC-grade**



Featuring:  
**EZ-Torque Compression Nut**

Cat. #	Size	Uni Ctn	Std Pkg	WT/ 100
STREMT50	1/2"	25	250	15
STREMT75	3/4"	10	100	22
STREMT100	1"	5	50	40





Made in the USA Since 1946

## Raintight Combination Couplings Liquid Tight Conduit to Rigid Conduit-IMC

- Reusable ferrule
- Steel, zinc plated



UL rated suitable for hazardous locations  
Class I, Div. 2; Class II, Div. 1 and 2;  
Class III, Div. 1 and 2; NEC 501-4(b),  
502-4(a), 503-3(a)

**SPEC-grade**



Featuring:  
**EZ-Torque Compression Nut**

### Combination Coupling (STR-EMT)

Cat. #	Size	Uni Ctn	Std Pkg	WT/ 100
STREMT50RT	1/2"	25	250	15
STREMT75RT	3/4"	10	100	22
STREMT100RT	1"	5	50	40



## Liquid Tight Connectors with Female Threaded Hubs

- For Connecting Liquid Tight Conduit with Rigid/IMC Threaded Conduit
- Provides versatility in threaded hub or panelboard applications



## SPEC-grade



Featuring:  
EZ-Torque Compression Nut

Cat. #	Size	Unit Ctn	Std Pkg	WT/ 100
STR38FR	3/8"	25	125	13
STR50FR	1/2"	25	125	14
STR75FR	3/4"	25	125	21
STR100FR	1"	5	25	31
STR125FR	1 1/4"	5	25	56
STR150FR	1 1/2"	5	25	69
STR200FR	2"	5	25	88

### Dimensional Table

Cat. #	A	B
STR38FR	1.08	1 1/8"
STR50FR	1.19	1 1/8"
STR75FR	1.43	1 3/8"
STR100FR	1.75	1 5/8"
STR125FR	2.16	2"
STR150FR	2.38	2 1/4"
STR200FR	2.88	2 3/4"



Made in the USA Since 1946

## Non-Metallic Liquid Tight Connectors For Use with Type B Non-metallic Liquid Tight Conduit

- For use in wet or dry locations where fittings are not subject to harsh physical conditions
- Compact & sturdy PVC fitting furnished with steel locknut and sealing gasket
- NPT Thread
- Corrosion resistant
- Protection from liquid, rain, & oils
- Smooth interior to speed installation and eliminate friction

### Straight Connectors

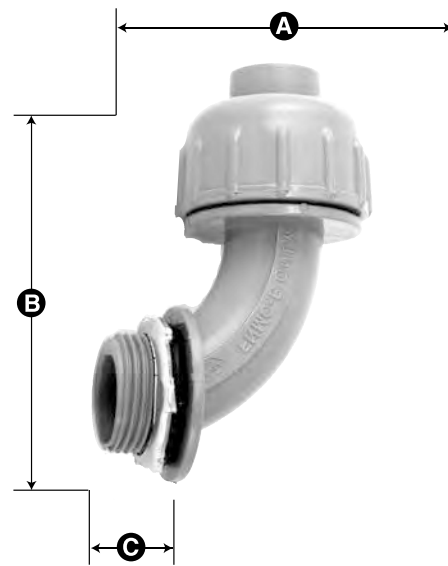
Cat. #	Size	Unit Ctn	Std Pkg	WT/ 100
NML38	3/8"	25	125	9
NML50	1/2" 2	5	125	8
NML75	3/4"	10	50	10
NML100	1"	10	50	14
NML125	1-1/4"	5	5	20
NML150	1-1/2"	4	20	26
NML200	2"	2	10	45

### Dimensional Table

Cat. #	A	B	C
NML3890	2.56	2.14	1.09
NML5090	2.56	2.14	1.09
NML7590	2.84	2.38	1.30
NML10090	3.25	2.81	1.50
NML12590	3.96	3.36	2.40
NML15090	4.13	3.45	2.68
NML20090	4.68	4.04	3.35

### 90° Connectors

Cat. #	Size	Unit Ctn	Std Pkg	WT/ 100
NML3890	3/8"	10	50	9
NML5090	1/2"	10	50	8
NML7590	3/4"	10	50	12
NML10090	1"	5	25	18
NML12590	1-1/4"	2	10	37
NML15090	1-1/2"	2	10	39
NML20090	2"	1	5	70



### Dimensional Table

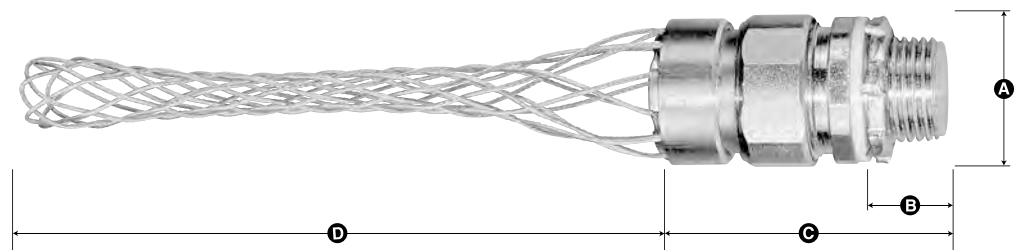
Cat. #	A Diameter	B Overall Length	C Length of Thread
NML38	1.12	2.10	.45
NML50	1.12	2.10	.45
NML75	1.30	2.20	.47
NML100	1.60	2.30	.57
NML125	2.40	2.40	.57
NML150	2.60	2.75	.57
NML200	3.30	3.10	.67



## Liquid Tight Connectors with Stainless Steel Mesh Grips

- Prevents pullout from motion, strain and stress
- Multi-weave stainless steel mesh
- Suitable for hazardous locations, Class I, Div. 2; Class II, Div. 1&2; Class III, Div. 1&2
- Sealing washer and locknut included
- Includes insulated throat
- Reusable

**SPEC-grade**



### Straight Connectors

Cat. #	Size	Std Pkg	WT/100
STR38GT	3/8"	10	15
STR50GT	1/2"	10	20
STR75GT	3/4"	10	25
STR100GT	1"	10	35
STR125GT	1-1/4"	2	60
STR150GT	1-1/2"	2	85
STR200GT	2"	2	130

### Dimensional Table

Cat. #	A Diameter	B Length of Thread	C Connector Length	D Mesh Length
STR38GT	1.06	.59	1.43	6.00
STR50GT	1.19	.59	1.43	5.25
STR75GT	1.38	.59	1.56	6.50
STR100GT	1.69	.66	1.69	7.75
STR125GT	2.06	.63	2.03	10.63
STR150GT	2.38	.63	2.22	11.00
STR200GT	2.88	.66	2.28	14.00

Wire Mesh LT 1

\*Larger sizes available upon request



Made in the USA Since 1946

## Liquid Tight Connectors with Stainless Steel Mesh Grips

- Prevents pullout from motion, strain and stress
- Multi-weave stainless steel mesh
- Suitable for hazardous locations, Class I, Div. 2; Class II, Div. 1&2; Class III, Div. 1&2
- Sealing washer and locknut included
- Includes insulated throat
- Reusable

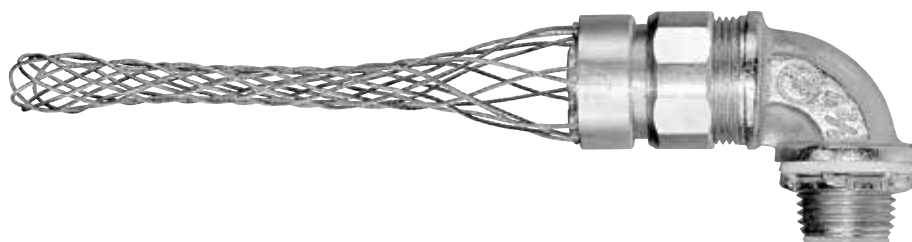
**SPEC-grade**



E93605



LR61799



### 90° Angle

Cat. #	Size	Std Pkg	WT/100
STR3890GT	3/8"	10	25
STR5090GT	1/2"	10	25
STR7590GT	3/4"	10	40
STR10090GT	1"	10	70
STR12590GT	1-1/4"	2	95
STR15090GT	1-1/2"	2	130
STR20090GT	2"	2	195

\* Larger sizes available upon request

### Dimensional Table

Cat. #	Mesh Length
STR3890GT	6.00
STR5090GT	5.25
STR7590GT	6.50
STR10090GT	7.75
STR12590GT	10.63
STR15090GT	11.00
STR20090GT	14.00

Wire Mesh IT SS 2





Made in the USA Since 1946

## Liquid Tight Connectors with Stainless Steel Mesh Grips

- Prevents pullout from motion, strain and stress
- Multi-weave stainless steel mesh
- Suitable for hazardous locations, Class I, Div. 2; Class II, Div. 1&2; Class III, Div. 1&2
- Sealing washer and locknut included
- Includes insulated throat
- Reusable

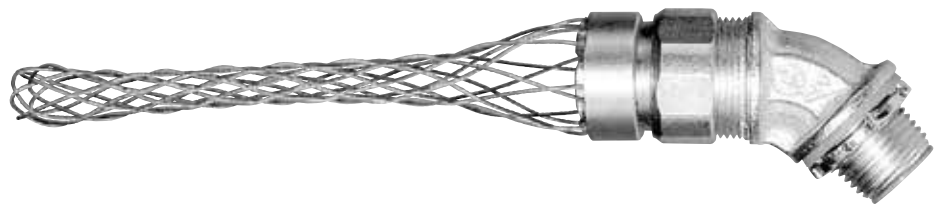
**SPEC-grade**



E93605



LR61799



### 45° Angle

Cat. #	Size	Std Pkg	WT/ 100
STR3845GT	3/8"	10	20
STR5045GT	1/2"	10	22
STR7545GT	3/4"	10	35
STR10045GT	1"	10	65
STR12545GT	1-1/4"	2	85
STR15045GT	1-1/2"	2	115
STR20045GT	2"	2	175

### Dimensional Table

Cat. #	Mesh Length
STR3845GT	6.00
STR5045GT	5.25
STR7545GT	6.50
STR10045GT	7.75
STR12545GT	10.63
STR15045GT	11.00
STR20045GT	14.00

\* Larger sizes available upon request

Wire Mesh IT SS 3



Made in the USA Since 1946

## Liquid Tight Flexible Metal MS Connectors (Cannon Type Plug Adaptor)

- UL rated Liquid Tight conduit to female thread
- For industrial applications where liquid tight conduit needs to be connected to female multi pin plug (Cannon type)
- Made from corrosion resistant machined steel, zinc plated

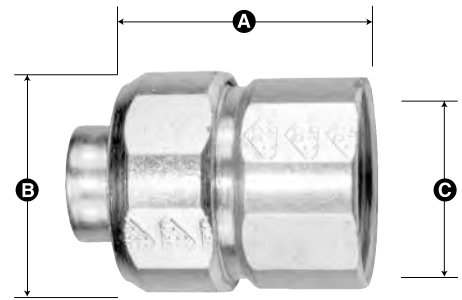


E93605



LR61799

## SPEC-grade



Featuring:  
EZ-Torque Compression Nut

### Dimensional Table

Cat. #	A	B	C
STR38807MS	1.32	1.06	.50
STR3814MS	1.32	1.06	.50
STR3818MS	1.32	1.06	.50
STR5018MS	1.32	1.13	.53
STR5020MS	1.38	1.13	.66
STR7520MS	1.38	1.43	.67

Cat. #	Size	AN-MS Conn Shell Size	Thread Size	Unit Ctn	Std Pkg	WT/ 100
STR38807MS	3/8"		20.5mm x 1.25mm	25	125	10
STR3814MS	3/8"	14, 14S	3/4"-20 UNEF 2B	25	125	10
STR3818MS	3/8"	18	1"-20 UNEF 2B	25	125	10
STR5018MS	1/2"	18	1"-20 UNEF 2B	25	125	14
STR5020MS	1/2"	20, 22	1-3/16"-18 UNEF 2B	20	100	16
STR7520MS	3/4"	20, 22	1-3/16"-18 UNEF 2B	20	100	18

\* Also available with stainless steel mesh

### Raintight

Cat. #	Size	AN-MS Conn Shell Size	Thread Size	Unit Ctn	Std Pkg	WT/ 100
STR38807MSRT	3/8"		20.5mm x 1.25mm	25	125	10
STR3814MSRT	3/8"	14, 14S	3/4"-20 UNEF 2B	25	125	10
STR3818MSRT	3/8"	18	1"-20 UNEF 2B	25	125	10
STR5018MSRT	1/2"	18	1"-20 UNEF 2B	25	125	14
STR5020MSRT	1/2"	20, 22	1-3/16"-18 UNEF 2B	20	100	16
STR7520MSRT	3/4"	20, 22	1-3/16"-18 UNEF 2B	20	100	18

Liquid Tight Connectors 11



Made in the USA Since 1946

## Liquid Tight Connectors with Female Threaded Hubs and Chase Nipples

- For connecting liquid tight conduit into electrical box - inside low profile
- Provides versatility in threaded hub or panelboard applications
- Includes a sealing washer



### Liquid Tight Female Hub

Cat. #	Size	Unit Ctn	Std Pkg	WT/ 100
STR38FRCN	3/8"	25	125	16
STR50FRCN	1/2"	25	125	17
STR75FRCN	3/4"	25	125	25
STR100FRCN	1"	5	25	40
STR125FRCN	1 1/4"	5	25	73
STR150FRCN	1 1/2"	5	25	90
STR200FRCN	2"	5	25	117

### Dimensional Table

Cat. #	A	B	C	D
STR38FRCN	1.09	1.14	.16	1"
STR50FRCN	1.19	1.21	.16	1"
STR75FRCN	1.43	1.24	.16	1 1/4"
STR100FRCN	1.75	1.57	.19	1 5/8"
STR125FRCN	2.16	1.86	.20	1 7/8"
STR150FRCN	2.38	1.97	.25	2 3/16"
STR200FRCN	2.88	2.07	.25	2 11/16"

## SPEC-grade



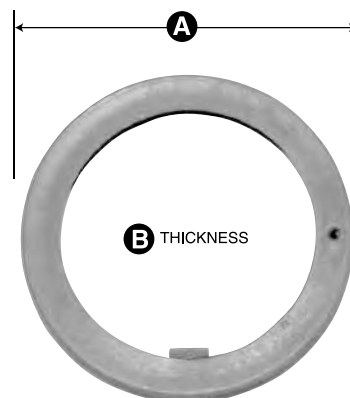
Featuring:  
EZ-Torque Compression Nut



## Sealing Washers

- Polyethylene
- Moisture resistant

## SPEC-grade



Cat. #	Size	Std Pkg	WT/ 100
SW50	1/2"	500	.5
SW75	3/4"	500	.5
SW100	1"	250	1
SW125	1-1/4"	250	1
SW150	1-1/2"	250	1
SW200	2"	250	2
SW250	2-1/2"	100	2
SW300	3"	100	2
SW350	3-1/2"	50	2
SW400	4"	50	2

## Dimensional Table

Cat. #	A Diameter	B Thickness
SW50	1.10	.075
SW75	1.34	.080
SW100	1.60	.080
SW125	1.93	.080
SW150	2.20	.080
SW200	2.57	.080
SW250	2.88	.125
SW300	3.52	.125
SW350	4.03	.125
SW400	4.52	.125



## Liquid Tight Ferrules Replacements

- Reusable
- Steel, zinc plated
- For improved sealing and grounding

**SPEC-grade**



## Replacement Ferrules

Cat. #	Size	Unit Ctn	Std Pkg	WT/ 100
STR38F	3/8"	100	500	2
STR50F	1/2"	100	500	2
STR75F	3/4"	100	500	3
STR100F	1"	50	250	3
STR125F	1-1/4"	25	125	5
STR150F	1-1/2"	10	50	6
STR200F	2"	5	25	11
STR250F	2-1/2"	-	1	23
STR300F	3"	-	1	16
STR350F	3-1/2"	-	1	50
STR400F	4"	-	1	38

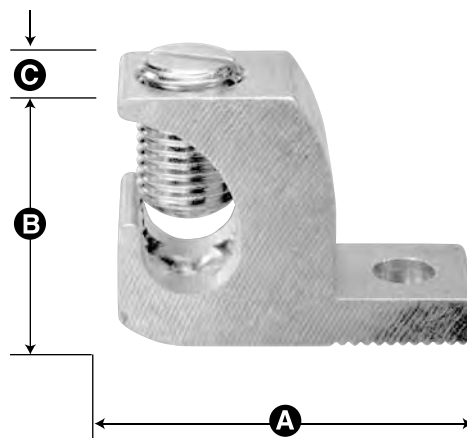
Liquid Tight Connectors 14





## Solderless Lugs - Copper and Aluminum

- Lay-in connectors
- High strength, high conductive



### Aluminum Alloy 6061

Cat. #	Wire Range CU-AL	Unit Ctn	Std Pkg	WT/ 100
GLA4	4-14	50	500	2
GLA0	1/0-8	25	250	7
GLA250	250 mcm-6	10	100	19

### Dimensional Table

Cat. #	A	B	C
GLA4	1.07	.75	.38
GLA0	1.50	1.10	.60
GLA250	2.20	1.70	.80

### Copper

Cat. #	Wire Range CU-AL	Unit Ctn	Std Pkg	WT/ 100
GLCU4	4-14	50	500	6
GLCU2	2-8	50	500	5

### Dimensional Table

Cat. #	A	B	C
GLCU4	1.30	.88	.40
GLCU2	1.47	.92	.48



Made in the USA Since 1946

## EMT Connectors Compression Type

- For connecting and bonding electric metallic tubing to a box or enclosure
- Concrete Tight 1/2" to 4"
- Screw Machined Steel, zinc plated \*

### EMT Connectors Compression (EC)

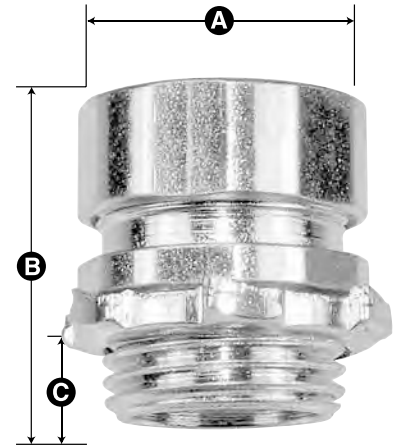
Cat. #	Size	Unit Ctn	Std Pkg	WT/ 100
EC750US	1/2"	50	250	8
EC751US	3/4"	25	125	12
EC752US	1"	20	100	19
EC753US	1-1/4"	5	50	30
EC754US	1-1/2"	5	25	46
EC755US	2"	5	25	55
EC756US	2-1/2"	-	5	217
EC757US	3"	-	3	260
EC758US	3-1/2"	-	2	332
EC759US	4"	-	2	377

\* Fittings 2-1/2" & larger made be steel or malleable iron

### Dimensional Table

Cat. #	A Diameter	B Length	C Length of Thread
EC750BUS	1.750	1.250	.406
EC751BUS	1.813	1.563	.406
EC752BUS	2.000	1.813	.406
EC753BUS	2.750	2.188	.500
EC754BUS	3.000	2.438	.500
EC755BUS	3.188	2.938	.688
EC756BUS	3.929	3.875	1.250
EC757BUS	4.650	4.000	1.375
EC758BUS	5.198	4.312	1.375
EC759BUS	5.750	4.500	1.500

## SPEC-grade



Featuring:  
EZ-Torque Compression Nut



### With Insulated Throat

Cat. #	Size	Unit Ctn	Std Pkg	WT/ 100
EC750BUS	1/2"	50	250	8
EC751BUS	3/4"	25	125	12
EC752BUS	1"	20	100	19
EC753BUS	1-1/4"	5	50	30
EC754BUS	1-1/2"	5	25	46
EC755BUS	2"	5	25	55
EC756BUS	2-1/2"	-	5	242
EC757BUS	3"	-	3	307
EC758BUS	3-1/2"	-	2	390
EC759BUS	4"	-	2	492



Made in the USA Since 1946

## EMT Couplings Compression Type

- For coupling two ends of electric metallic tubing
- Concrete Tight 1/2" to 4"
- Screw Machined Steel, zinc plated \*

**SPEC-grade**



Featuring:  
**EZ-Torque Compression Nut**



### EMT Couplings Compression (EC)

Cat. #	Size	Unit Ctn	Std Pkg	WT/ 100
EC760US	1/2"	50	250	8
EC761US	3/4"	25	125	13
EC762US	1"	20	100	19
EC763US	1-1/4"	5	50	30
EC764US	1-1/2"	5	25	46
EC765US	2"	5	25	60
EC766US	2-1/2"	-	5	33
EC767US	3"	-	3	367
EC768US	3-1/2"	-	2	426
EC769US	4"	-	2	523

### Dimensional Table

Cat. #	A Length	B Diameter
EC760US	1.688	1.250
EC761US	2.000	1.563
EC762US	2.125	1.813
EC763US	3.063	2.188
EC764US	3.125	2.438
EC765US	3.375	2.938
EC766US	5.750	3.931
EC767US	5.720	4.667
EC768US	6.000	5.200
EC769US	6.811	5.750

\* Fittings 2 1/2" & Larger May Be Steel or Malleable Iron

EMT Conduit Fittings 3

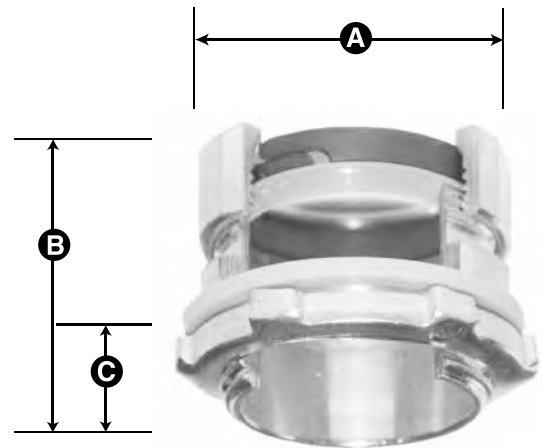


Made in the USA Since 1946

## EMT Connectors Compression Type/Raintight

- RAIN AND CONCRETE TIGHT 1/2" to 4"
- For use in wet locations to ground and secure EMT raceway boxes and enclosures
- Connector utilizes internal and external sealing rings to prevent entrance of water or moisture
- Screw machined steel, zinc plated \*

**SPEC-grade**



Featuring:  
**EZ-Torque Compression Nut**



E101868

### EMT Connector Compression - Raintight (EC RT)

Cat. #	Size	Unit Ctn	Std Pkg	WT/ 100
EC750USRT	1/2"	50	250	8
EC751USRT	3/4"	25	250	12
EC752USRT	1"	20	100	19
EC753USRT	1-1/4"	5	50	30
EC754USRT	1-1/2"	5	25	46
EC755USRT	2"	5	25	55
EC756USRT	2 1/2"	-	5	217
EC757USRT	3"	-	3	260
EC758USRT	3 1/2"	-	3	332
EC759USRT	4"	-	2	377

\* Fittings 2 1/2" & Larger May Be Steel or Malleable Iron  
**Dimensional Table**

Cat. #	A Diameter	B Length	C Length of Thread
EC750USRT	1.750	1.250	.406
EC751USRT	1.813	1.563	.406
EC752USRT	2.000	1.813	.406
EC753USRT	2.750	2.188	.500
EC754USRT	3.000	2.438	.500
EC755USRT	3.188	2.938	.688

### With Insulated Throat

Cat. #	Size	Unit Ctn	Std Pkg	WT/ 100
EC750BUSRT	1/2"	50	250	8
EC751BUSRT	3/4"	25	250	12
EC752BUSRT	1"	20	100	19
EC753BUSRT	1-1/4"	5	50	30
EC754BUSRT	1-1/2"	5	25	46
EC755BUSRT	2"	5	25	55
EC756BUSRT	2 1/2"	-	5	217
EC757BUSRT	3"	-	3	260
EC758BUSRT	3 1/2"	-	3	332
EC759BUSRT	4"	-	2	377

EMT Conduit Fittings 2



Made in the USA Since 1946

## EMT Couplings Compression Type/Raintight

- RAIN AND CONCRETE TIGHT 1/2" to 4"
- For use in wet locations to ground and secure EMT raceway boxes and enclosures together
- Coupling utilizes two sealing rings to prevent water seepage
- Screw machined steel, zinc plated \*



E101868

## SPEC-grade



Featuring:  
**EZ-Torque Compression Nut**

### EMT Couplings - Raintight (EC-RT)

Cat. #	Size	Unit Ctn	Std Pkg	WT/ 100
EC760USRT	1/2"	50	250	8
EC761USRT	3/4"	25	125	13
EC762USRT	1"	20	100	19
EC763USRT	1-1/4"	5	50	30
EC764USRT	1-1/2"	5	25	46
EC765USRT	2"	5	25	60
EC766USRT	2-1/2"	-	5	333
EC767USRT	3"	-	3	367
EC768USRT	3-1/2"	-	3	426
EC769USRT	4"	-	2	523

\* Fittings 2 1/2" & Larger May Be Steel or Malleable Iron

### Dimensional Table

Cat. #	A Length	B Diameter
EC760USRT	1.688	1.250
EC761USRT	2.000	1.563
EC762USRT	2.125	1.813
EC763USRT	3.063	2.188
EC764USRT	3.125	2.438
EC765USRT	3.375	2.938



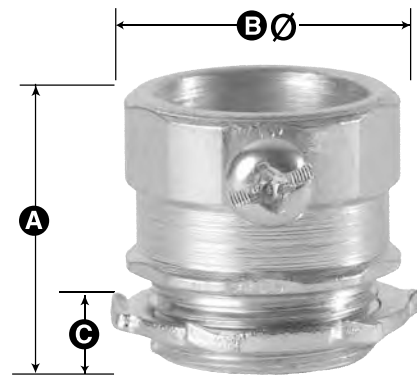


Made in the USA Since 1946

## EMT Connectors Set Screw Type

- For connecting & bonding electrical metallic tubing to a box or enclosure
- Steel, zinc plated \*
- UL rated concrete tight when taped

## SPEC-grade



### EMT Connectors - Set Screw (SS)

Cat. #	Size	Unit Ctn	Std Pkg	WT/ 100
SS50US	1/2"	50	250	10
SS51US	3/4"	25	125	14
SS52US	1"	20	100	23
SS53US	1-1/4"	5	25	40
SS54US	1-1/2"	5	25	52
SS55US	2"	-	20	80
SS56US	2-1/2"	-	6	142
SS57US	3"	-	6	183
SS58US	3-1/2"	-	3	250
SS59US	4"	-	3	283

\* Fittings 2-1/2" & larger may be steel or malleable iron

### Dimensional Table

Cat. #	A Overall Length	B Diameter	C Length of Thread
SS50/BUS	1.130	1.125	.375
SS51/BUS	1.250	1.380	.375
SS52/BUS	1.500	1.630	.500
SS53/BUS	2.750	2.000	.500
SS54/BUS	2.880	2.250	.500
SS55/BUS	2.000	2.750	.625
SS56/BUS	3.940	3.220	1.250
SS57/BUS	3.060	4.840	1.375
SS58/BUS	3.380	4.360	1.375
SS59/BUS	3.560	4.860	1.500

### With Insulated Throat

Cat. #	Size	Unit Ctn	Std Pkg	WT/ 100
SS50BUS	1/2"	50	250	10
SS51BUS	3/4"	25	125	14
SS52BUS	1"	20	100	23
SS53BUS	1-1/4"	5	25	40
SS54BUS	1-1/2"	5	25	52
SS55BUS	2"	-	20	80
SS56BUS	2-1/2"	-	6	142
SS57BUS	3"	-	6	183
SS58BUS	3-1/2"	-	3	250
SS59BUS	4"	-	3	283

EMT Conduit Fittings 5



Made in the USA Since 1946

## EMT Couplings Set Screw Type

- For coupling two ends of electrical metallic tubing
- Steel, zinc plated \*
- UL rated Concrete Tight when Taped

### EMT Couplings - Set Screw (SS)

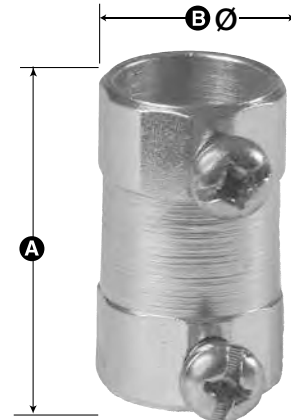
Cat. #	Size	Unit Ctn	Std Pkg	WT/ 100
SS60US	1/2"	50	250	10
SS61US	3/4"	25	125	15
SS62US	1"	10	50	24
SS63US	1-1/4"	5	25	44
SS64US	1-1/2"	5	25	68
SS65US	2"	-	20	90
SS66US	2-1/2"	-	5	158
SS67US	3"	-	3	217
SS68US	3-1/2"	-	2	250
SS69US	4"	-	2	283

\* Fittings 2 1/2" & Larger May Be Steel or Malleable Iron

### Dimensional Table

Cat. #	A Length	B Diameter
SS60US	1.75	.937
SS61US	2.13	1.125
SS62US	2.50	1.375
SS63US	3.25	1.687
SS64US	3.75	1.968
SS65US	4.0	2.406
SS66US	4.25	3.220
SS67US	4.50	3.840
SS68US	4.75	4.360
SS69US	5.00	4.860

## SPEC-grade





## Combination Couplings EMT to Liquid Tight Conduit

- Reusable ferrule
- For rooftop HVAC air conditioners and motor hook-ups
- Steel, zinc plated



UL rated suitable for hazardous locations  
Class I, Div. 2; Class II, Div. 1 and 2;  
Class III, Div. 1 and 2; NEC 501-4(b),  
502-4(a), 503-3(a)

## SPEC-grade



Featuring:  
**EZ-Torque Compression Nut**

Cat. #	Size	Uni Ctn	Std Pkg	WT/ 100
STREMT50	1/2"	25	250	15
STREMT75	3/4"	10	100	22
STREMT100	1"	5	50	40



Made in the USA Since 1946

## Combination Couplings EMT (Compression) to Rigid (Threaded)

- Rain and Concrete Tight



**SPEC-grade**



Featuring:  
**EZ-Torque Compression Nut**

### Steel - Combination Couplings

Cat. #	Size	Uni Ctn	Std Pkg	WT/ 100
ETR50	1/2"	25	250	19
ETR75	3/4"	10	100	27
ETR50RT	3/4"	10	100	27
ETR75 RT	3/4"	10	100	27

### Dimensional Table

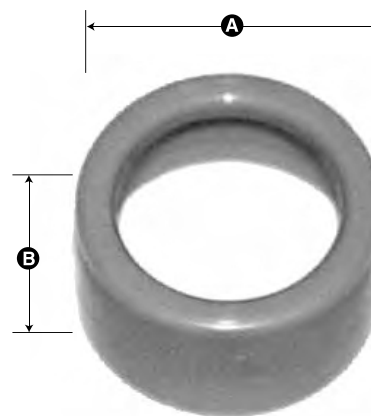
Cat. #	A Nut Diameter	B Body Diameter	C Length
ETR50	.94	.73	1.15
ETR75	1.17	.93	1.25
ETR50RT	1.17	.93	1.25
ETR75 RT	1.17	.93	1.25

Combination Couplings EMT - Rigid



## EMT Insulating Bushings

- Polyethylene
- temperature Rated at 90°
- Offers protection for cables or wiring from sharp edges of EMT
- For use with computer, telephone, security, cable television & power



### EMT Insulated Bushings

Cat. #	Size	Unit Ctn	Std Pkg	WT/ 100
EIB50	1/2"	100	1000	1
EIB75	3/4"	100	500	1
EIB100	1"	50	250	1
EIB125	1-1/4"	40	200	1
EIB150	1-1/2"	40	200	2
EIB200	2"	-	50	2
EIB250	2-1/2"	-	25	4
EIB300	3"	-	25	6
EIB350	3-1/2"	-	20	7
EIB400	4"	-	15	11

### Dimensional Table

Cat. #	A	B
EIB50	.558	.537
EIB75	.743	.525
EIB100	.945	.635
EIB125	1.240	.625
EIB150	1.440	.625
EIB200	1.870	.625
EIB250	2.240	1.230
EIB300	2.750	1.230
EIB350	3.340	1.110
EIB400	3.770	1.230

EMT Conduit Fittings





Made in the USA Since 1946

## Rigid-IMC Connectors Compression Type - (No Thread)

- Industrial specification grade, screw machined steel, zinc plated
- UL Listed **RAIN TIGHT** and Concrete Tight 1/2" – 2"
- UL Listed Concrete Tight 2-1/2" – 4"



E93605



LR61799

UL rated suitable for hazardous locations  
Class I, Div. 2; Class II, Div. 1 and 2;  
Class III, Div. 1 and 2; NEC 501-4(b), 505-4(a), 503-3(a)

## Rigid Connectors - Compression - (NT)

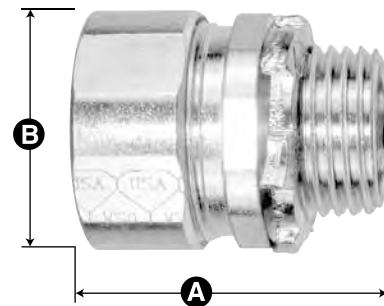
Cat. #	Size	Unit Ctn	Std Pkg	WT/ 100
NT2750	1/2"	25	250	13
NT2751	3/4"	20	100	20
NT2752	1"	5	50	36
NT2753	1-1/4"	5	25	48
NT2754	1-1/2"	5	25	70
NT2755	2"	5	25	100
NT2756 *	2-1/2"	-	5	275
NT2757*	3"	-	3	333
NT2758 *	3-1/2"	-	3	475
NT2759 *	4"	-	2	547
NT2770*	5"	-	1	1100

## With Insulated Throat

Cat. #	Size	Unit Ctn	Std Pkg	WT/ 100
NT2750B	1/2"	25	250	13
NT2751B	3/4"	20	100	20
NT2752B	1"	5	50	36
NT2753B	1-1/4"	5	25	48
NT2754B	1-1/2"	5	25	70
NT2755B	2"	5	25	100
NT2756B*	2-1/2"	-	5	275
NT2757B*	3"	-	3	333
NT2758B*	3-1/2"	-	3	475
NT2759B*	4"	-	2	547
NT2770B*	5"	-	1	1100

\* Malleable Iron

## SPEC-grade



Featuring:  
**EZ-Torque Compression Nut**

## Dimensional Table

Cat. #	A Length	B Diameter
NT2750/B	1.35	1.17
NT2751/B	1.48	1.43
NT2752/B	1.58	1.75
NT2753/B	1.86	2.15
NT2754/B	1.94	2.38
NT2755/B	2.49	3.38
NT2756/B	3.88	3.93
NT2757/B	4.00	4.66
NT2758/B	4.31	5.20
NT2759/B	4.50	5.75
NT2770/B	5.00	7.00



## Rigid-IMC Connectors Set Screw Type

- Industrial specification grade, screw machined steel, zinc plated
- No thread
- UL Listed Concrete Tight when taped



### Rigid Connector (SST)

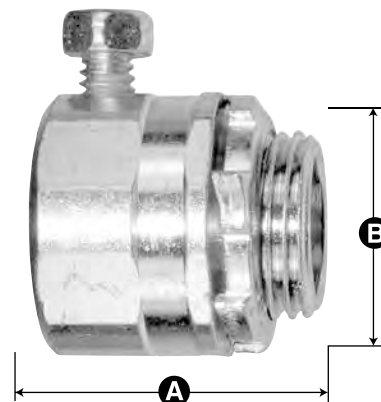
Cat. #	Size	Unit Ctn	Std Pkg	WT/ 100
SNT1750	1/2"	20	200	13
SNT1751	3/4"	20	100	17
SNT1752	1"	5	50	28
SNT1753	1-1/4"	5	25	43
SNT1754	1-1/2"	5	25	55
SNT1755	2"	5	25	70
SNT1756*	2-1/2"	-	6	151
SNT1757*	3"	-	6	192
SNT1758*	3-1/2"	-	3	261
SNT1759*	4"	-	3	295

### With Insulated Throat

Cat. #	Size	Unit Ctn	Std Pkg	WT/ 100
SNT1750B	1/2"	20	200	13
SNT1751B	3/4"	20	100	17
SNT1752B	1"	5	50	28
SNT1753B	1-1/4"	5	25	43
SNT1754B	1-1/2"	5	25	55
SNT1755B	2"	5	25	70
SNT1756B*	2-1/2"	-	6	151
SNT1757B*	3"	-	6	192
SNT1758B*	3-1/2"	-	3	261
SNT1759B*	4"	-	3	295

\*Malleable Iron

## SPEC-grade



### Dimensional Table

Cat. #	A Length	B Diameter
SNT1750/B	1.13	1.13
SNT1751/B	1.25	1.38
SNT1752/B	1.50	1.63
SNT1753/B	1.75	2.00
SNT1754/B	1.88	2.25
SNT1755/B	2.00	2.75
SNT1756/B	2.94	3.22
SNT1757/B	3.06	3.84
SNT1758/B	3.38	4.36
SNT1759/B	3.56	4.86



Made in the USA Since 1946

## Rigid-IMC Couplings Compression Type - (No Thread)

- Industrial specification grade, screw machined steel, zinc plated
- UL Listed **RAIN TIGHT AND CONCRETE TIGHT** 1/2" – 2"
- UL Listed Concrete Tight 2-1/2" – 4"

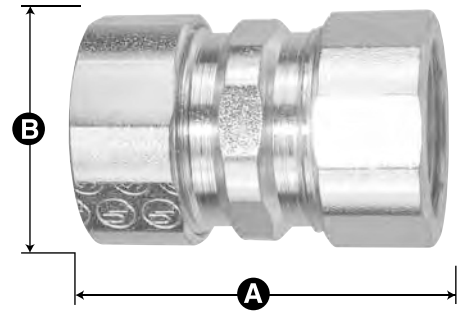


E93605



LR61799

## SPEC-grade



Featuring:  
**EZ-Torque Compression Nut**

### Rigid Compression Coupling (NT)

Cat. #	Size	Unit Ctn	Std Pkg	WT/ 100
NT2760	1/2"	20	100	16
NT2761	3/4"	20	100	24
NT2762	1"	5	50	48
NT2763	1-1/4"	5	25	64
NT2764	1-1/2"	5	25	110
NT2765	2"	3	15	140
NT2766 *	2-1/2"	-	5	401
NT2767*	3"	-	3	558
NT2768 *	3-1/2"	-	2	718
NT2769 *	4"	-	2	819
NT2780*	5"	-	1	1350

\*Malleable Iron

### Dimensional Table

Cat. #	A Length	B Diameter
NT2760	1.74	1.17
NT2761	1.82	1.43
NT2762	1.95	1.75
NT2763	2.65	2.15
NT2764	2.70	2.37
NT2765	2.93	3.38
NT2766	5.38	3.93
NT2767	5.63	4.66
NT2768	5.69	5.20
NT2769	5.88	5.75
NT2780	7.00	6.38

Rigid IMC Conduit Fittings



Made in the USA Since 1946

## Rigid-IMC Couplings Set Screw Type

- Industrial specification grade, screw machined steel, zinc plated
- No thread
- UL Listed Concrete Tight when taped

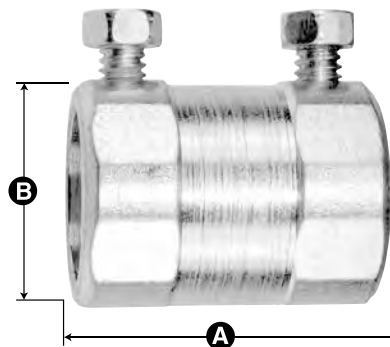


E93605



LR61799

## SPEC-grade



### Rigid Coupling (SNT)

Cat. #	Size	Unit Ctn	Std Pkg	WT/ 100
SNT1760	1/2"	20	100	19
SNT1761	3/4"	20	100	24
SNT1762	1"	5	50	37
SNT1763	1-1/4"	5	25	65
SNT1764	1-1/2"	5	25	72
SNT1765	2"	3	15	111
SNT1766*	2-1/2"	-	5	166
SNT1767*	3"	-	3	225
SNT1768*	3-1/2"	-	2	260
SNT1769*	4"	-	2	295

\* Malleable Iron

### Dimensional Table

Cat. #	A Length	B Diameter
SNT1760	1.50	1.13
SNT1761	1.50	1.38
SNT1762	1.88	1.63
SNT1763	2.18	2.00
SNT1764	2.63	2.25
SNT1765	2.75	2.75
SNT1766	3.76	3.22
SNT1767	3.81	3.84
SNT1768	4.63	4.36
SNT1769	4.93	4.86

Rigid IMC Conduit Fittings



Full Product Options Shown on Reverse Side

### GB SERIES INDUSTRIAL SPECIFICATION GRADE Set Screw, Threaded and Threadless Insulated Grounding Bushings With and Without Optional Ground Lug

Furnished with 3 Pre-Drilled Holes and Set Screws,  
Unique Design Allows Ease of Installation and Orientation of Set Screw & Ground Lugs

Solid Steel with Hex Nut Design Permits Industrial Grade Torque without Damage to Pipe

Solid Machined Steel Option of Zinc Plated or Galvanized Plated

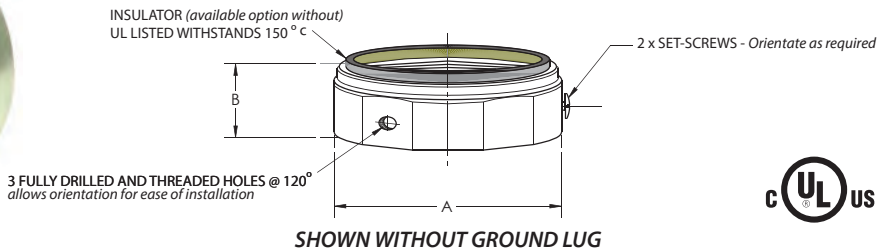
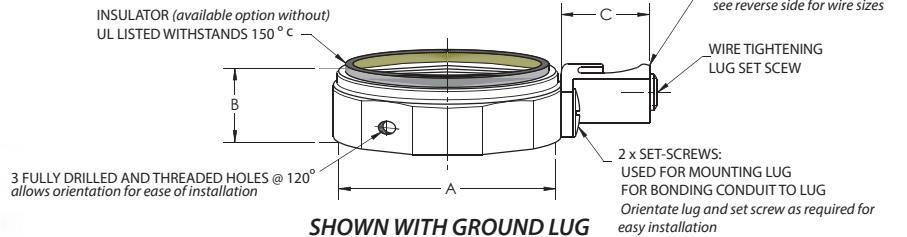
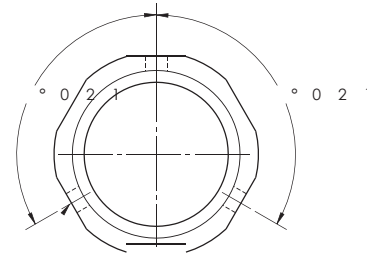
Superior Life & Performance Over Zinc Die Cast Products

Furnished with UL Component Temperature Rated 150°C Insulated Throat

Available with Option of Aluminum (Standard) Ground Lug or Copper Ground Lug



## SPEC-grade



Galvanized Plating Available

Mechanically Galvanized Plating Equivalent To ASTM A-153

Hot-Dip Performance Criteria in Harsh Environments such as Below Grade Work

Superior Plated Product, Will Not Flake Off When Installed

GB Product Series WITH Grounding Lugs					GB Product Series WITHOUT Grounding Lug			
Product Series	TRADE SIZE	A Outside Diameter "	B Overall Length "	C Length of Lug "	Product Series	TRADE SIZE	A Outside Diameter "	B Overall Length "
GB 50BGL	1/2"	1.06	.63	.75	GB 50B	1/2"	1.06	.63
GB 75BGL	3/4"	1.22	.63	.75	GB 75B	3/4"	1.22	.63
GB 100BGL	1"	1.50	.75	.75	GB100B	1"	1.50	.75
GB 125BGL	1-1/4"	1.88	.78	.75	GB125B	1-1/4"	1.88	.78
GB 150BGL	1-1/2"	2.16	.78	.75	GB150B	1-1/2"	2.16	.78
GB 200BGL	2"	2.16	.78	.75	GB 200B	2"	2.16	.78
GB 250BGL**	2-1/2"	3.21	1.05	1.10	GB 250B**	2-1/2"	3.21	1.05
GB 300BGL**	3"	3.96	1.08	1.10	GB 300B**	3"	3.96	1.08
GB 350BGL**	3-1/2"	4.47	1.08	1.10	GB 350B**	3-1/2"	4.47	1.08
GB 400BGL**	4"	5.15	1.18	1.70	GB 400B**	4"	5.15	1.18

Full Product Series with Available Options Shown on Reverse Side

\*\* 2 1/2" and larger are malleable iron construction





# AMERICAN FITTINGS Corporation

Made in the USA Since 1946

Industrial SPEC- grade™  
Rigid / IMC Grounding Bushings  
1/2" to 4"  
Steel

## GB Series Industrial SPEC- grade GROUNDING Bushings™

Set Screw, Threaded or Threadless with Insulated Throat \*

Available With or Without Optional Ground Lug \*

Furnished with 3 Pre-Drilled Holes and Set Screws

Unique Design Allows Ease of Installation and Orientation of Set Screw & Ground Lugs

Solid Steel with Hex Nut Design Permits Industrial Grade Torque without Damage to Pipe

Solid Machined Steel Zinc Plated or Galvanized Plated Product

Superior Life & Performance Over Zinc Die Cast Products

Furnished with UL Component Temperature Rated 150°C Insulated Throat

Available with Aluminum (Standard) Ground Lug or Copper Ground Lug



**SPEC-grade**

### \* Product Options for AMFICO SPEC- grade GROUNDING Bushings™

Trade Size	Material	Plating Options 1	Configurations 2	Insulated Throat Option 3	Lug Options 4	Lug Material Options 5	Ground Lug Wire Range
1/2"	Solid Steel	Z or G	T - NT	Y	Y	AL - CU	14-4
3/4"	Solid Steel	Z or G	T - NT	Y	Y	AL - CU	14-4
1"	Solid Steel	Z or G	T - NT	Y	Y	AL - CU	14-4
1 1/4"	Solid Steel	Z or G	T - NT	Y	Y	AL - CU	14-4 or 8-10
1 1/2"	Solid Steel	Z or G	T - NT	Y	Y	AL - CU	14-4 or 8-10
2"	Solid Steel	Z or G	T - NT	Y	Y	AL - CU	14-4 or 8-10
2 1/2"	MI	Z	T - NT	Y	Y	AL - CU	6-250 m cm
3"	MI	Z	T - NT	Y	Y	AL - CU	6-250 m cm
3 1/2"	MI	Z	T - NT	Y	Y	AL - CU	6-250 m cm
4"	MI	Z	T - NT	Y	Y	AL - CU	6-250 m cm

#### Keys for Product Options Offered

- 1 Z = Zinc or G = Galvanized
- 2 T = Threaded NT = No Threads (Threadless with Set Screw)
- 3 Insulated Throat Option Available (B)
- 4 Available With and Without Ground Lug (GL)
- 5 AL = Aluminum Lug or CU = Copper Lug
- MI Malleable Iron Construction ( 2 1/2" and larger)



Larger sizes are available, please consult factory for details.

For Full Catalog Numbers Go online: to [amtgs.com/gbpn](http://amtgs.com/gbpn)  
Or Call Factory

GB1013.1

[amtgs.com](http://amtgs.com)

t: 800.221.5268

e: [info@amtgs.com](mailto:info@amtgs.com)

AMERICAN



FITTINGS

Corporation

**Introducing**

**AMFICO Hubs™**

**The NEXT Generation of Myers\* Hubs**

**Out with the OLD & End with the NEW**

**Terminate Your Rigid Conduit with AMFICO Hubs™  
Outperforms & Outclasses All Others**

Unique Fully Machined Knurled Serrations  
Bites TIGHT & RIGHT Into All Metals & Finishes  
Will Not Vibrate Loose



Made in the USA

Hub & Body  
Machined from  
Steel Barstock



Insulated Throat  
Fully Machined SteelThreads  
Captive V-Tron O-Ring Gasket  
NOT a Casting or MI Fitting  
Solid Steel Construction



Screw Tight Hub



Ground Lug Hub



Ground Screw Hub



AMERICAN FITTINGS  
Corporation

Cord Grip Connectors  
EMT / Rigid Fittings  
Liquid Tight Fittings  
SPECflex Connectors

Available in 1/2" to 2" Trade Sizes  
Non-Destructible Full Zinc Plating  
100% Product Performance Guarantee

\* Myers is a trademark of Cooper Crouse Hinds



Made in the USA Since 1946

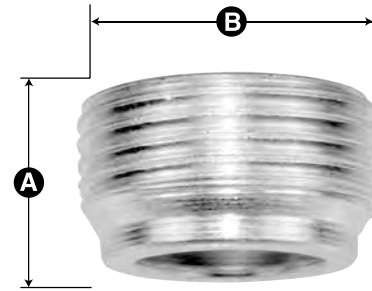
## Reducing Bushings - Suitable for Hazardous Locations

- Industrial specification grade, screw machined steel, zinc plated
- (N.P.T.) Tapered Pipe Thread Outside NPS Inside Thread
- UL Approved for hazardous locations



Class I, Groups C and D; Class II, Groups E, F, and G  
Reducing bushings, Series RB, Cat nos. RB followed by 2, 3, 4, 5, or 6,  
followed by 1, 2, 3, 4, or 5, followed by H. Conduit sizes 1/2" to 2" incl.

## SPEC-grade



### Steel - Reducing Bushings

Cat. #	Size	Unit Ctn	Std Pkg	WT/ 100
RB21H	3/4" x 1/2"	50	500	6
RB31H	1" x 1/2"	50	250	14
RB32H	1" x 3/4"	50	250	8
RB41H	1-1/4" x 1/2"	20	200	36
RB42H	1-1/4" x 3/4"	20	200	28
RB43H	1-1/4" x 1"	20	200	18
RB51H	1-1/2" x 1/2"	10	100	54
RB52H	1-1/2" x 3/4"	10	100	46
RB53H	1-1/2" x 1"	10	100	36
RB54H	1-1/2" x 1-1/4"	10	100	16
RB61H	2" x 1/2"	5	50	184
RB62H	2" x 3/4"	5	50	168
RB63H	2" x 1"	5	50	144
RB64H	2" x 1-1/4"	5	50	104
RB65H	2" x 1-1/2"	5	50	60

### Dimensional Table

Cat. #	A Length	B Diameter
RB21H	.650	.920
RB31H	.715	1.125
RB32H	.715	1.125
RB41H	.820	1.470
RB42H	.820	1.470
RB43H	.820	1.470
RB51H	.850	1.700
RB52H	.850	1.700
RB53H	.850	1.700
RB54H	.850	1.700
RB61H	.970	2.230
RB62H	.970	2.230
RB63H	.970	2.230
RB64H	.970	2.230
RB65H	.970	2.230

Rigid IMC Conduit Fittings



Made in the USA Since 1946

## Reducing Bushings

- Industrial specification grade, screw machined steel, zinc plated
- (N.P.S.) Straight Pipe Thread
- For reducing the threaded opening in conduit bodies or any female threaded fitting
- Product is **RAINTIGHT**

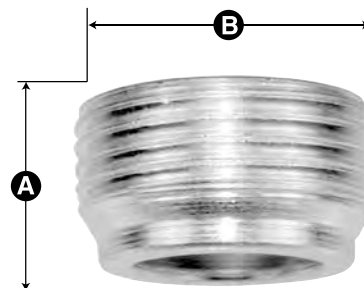


E93605



LR61799

## SPEC-grade



### Steel, Zinc Plated

Cat. #	Size	Unit Ctn	Std Pkg	WT/ 100
RB5038	1/2" x 3/8"	100	1000	2
RB7550	3/4" x 1/2"	100	500	14
RB10050	1" x 1/2"	50	250	12
RB10075	1" x 3/4"	50	250	12
RB12550	1-1/4" x 1/2"	20	200	28
RB12575	1-1/4" x 3/4"	20	200	22
RB125100	1-1/4" x 1"	20	200	14
RB15050	1-1/2" x 1/2"	10	100	42
RB15075	1-1/2" x 3/4"	10	100	36
RB150100	1-1/2" x 1"	10	100	28
RB150125	1-1/2" x 1-1/4"	10	100	12
RB20050	2" x 1/2"	5	50	84
RB20075	2" x 3/4"	5	50	76
RB200100	2" x 1"	5	50	68
RB200125	2" x 1-1/4"	5	50	48
RB200150	2" x 1-1/2"	5	50	32

### Dimensional Table

Cat. #	A Length	B Diameter
RB5038	.563	.750
RB7550	.650	.920
RB10050	.715	1.125
RB10075	.715	1.125
RB12550	.820	1.470
RB12575	.820	1.470
RB125100	.820	1.470
RB15050	.850	1.700
RB15075	.850	1.700
RB150100	.850	1.700
RB150125	.850	1.700
RB20050	.970	2.230
RB20075	.970	2.230
RB200100	.970	2.230
RB200125	.970	2.230
RB200150	.970	2.230

Rigid IMC Conduit Fittings

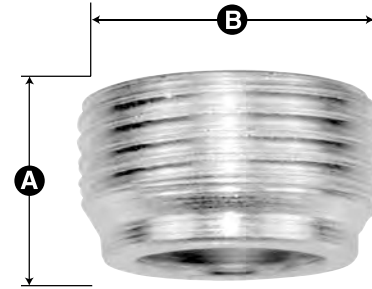


Made in the USA Since 1946

## Reducing Bushings

- Industrial specification grade, screw machined steel, zinc plated
- (N.P.S.) Straight Pipe Thread
- For reducing the threaded opening in conduit bodies or any female threaded fitting
- Product is **RAINTIGHT**

## SPEC-grade



E93605



LR61799

### Malleable Iron

Cat. #	Size	Unit Ctn	Std Pkg	WT/ 100
RB250100	2-1/2" x 1"	-	10	130
RB250125	2-1/2" x 1-1/4"	-	10	140
RB250150	2-1/2" x 1-1/2"	-	10	140
RB250200	2-1/2" x 2"	-	10	110
RB300125	3" x 1-1/4"	-	10	200
RB300150	3" x 1-1/2"	-	10	240
RB300200	3" x 2"	-	10	200
RB300250	3" x 2-1/2"	-	10	170
RB350150	3-1/2" x 1-1/2"	-	10	230
RB350200	3-1/2" x 2"	-	10	230
RB350250	3-1/2" x 2-1/2"	-	10	270
RB350300	3-1/2" x 3"	-	10	250
RB400200	4" x 2"	-	10	350
RB400250	4" x 2-1/2"	-	10	380
RB400300	4" x 3"	-	10	320
RB400350	4" x 3-1/2"	-	10	290

### Dimensional Table

Cat. #	A Length	B Diameter
RB250100	1.563	2.750
RB250125	1.563	2.845
RB250150	1.433	2.900
RB250200	1.433	2.930
RB300125	1.680	3.445
RB300150	1.700	3.750
RB300200	1.635	3.250
RB300250	1.563	3.875
RB350150	1.750	3.900
RB350200	1.750	3.900
RB350250	1.625	4.180
RB350300	1.563	4.630
RB400200	2.070	4.750
RB400250	2.070	4.750
RB400300	2.125	4.750
RB400350	2.250	4.750

Rigid IMC Conduit Fittings





Made in the USA Since 1946

## Aluminum Reducing Bushings - Suitable for Hazardous Locations

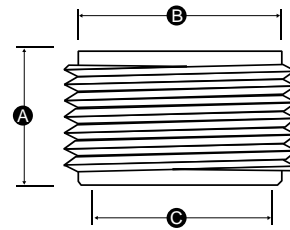
Size Range: 3/4" x 1/2" to 2" x 1-1/2"

**SPEC-grade**

- Threaded for Rigid / IMC Conduit
- NPT tapered threads
- Smooth internal bushing provides wire protection
- Explosion proof, approved for hazardous locations
- Dust-ignition proof



UL rated suitable for hazardous locations  
 Class I, Div. 1 and 2, Groups A, B, C, D  
 Class I, Zone 1 and 2, Groups IIC, IIB, IIA  
 Class II, Div. 1 and 2; Groups E, F, G  
 Class III, Div. 1 and 2



### Aluminum - Reducing Bushings

Cat. #	Size	A OAL	B ø	C ø	Unit Qty	Std. Pkg	WT/ 100
RBA21H	3/4" x 1/2"	.75"	.94"	0.60"	50	500	3
RBA31H	1" x 1/2"	.75"	1.15"	0.60"	50	250	6
RBA32H	1" x 3/4"	.75"	1.15"	0.80"	50	250	4
RBA41H	1 1/4" x 1/2"	.81"	1.52"	0.60"	20	200	12
RBA42H	1 1/4" x 3/4"	.81"	1.52"	0.80"	20	200	10
RBA43H	1 1/4" x 1"	.88"	1.52"	1.02"	20	200	7
RBA51H	1 1/2" x 1/2"	.88"	1.75"	0.60"	10	100	19
RBA52H	1 1/2" x 3/4"	.88"	1.75"	0.80"	10	100	16
RBA53H	1 1/2" x 1"	.88"	1.75"	1.02"	10	100	13
RBA54H	1 1/2" x 1 1/4"	.94"	1.75"	1.36"	10	100	7
RBA61H	2" x 1/2"	.88"	2.23"	0.60"	5	50	33
RBA62H	2" x 3/4"	.88"	2.23"	0.80"	5	50	31
RBA63H	2" x 1"	.88"	2.23"	1.02"	5	50	27
RBA64H	2" x 1 1/4"	.94"	2.23"	1.36"	5	50	22
RBA65H	2" x 1 1/2"	1.00"	2.23"	1.60"	5	50	17

Rigid IMC Conduit Fittings



Made in the USA Since 1946

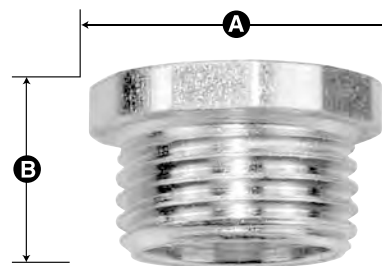
RIGID - IMC CONDUIT:  
Chase Nipples  
Size Range: 1/2" to 1"

## Chase Nipples Rigid (Threaded)

- Industrial specification grade, screw machined steel, zinc plated
- Rigid conduit thread



**SPEC-grade**



## Steel Chase Nipples

Cat. #	Size	Uni Ctn	Std Pkg	WT/ 100
CN50	1/2"	100	1000	3
CN75	3/4"	50	500	4
CN100	1"	20	200	9
CN125	1 1/4"	20	100	17
CN150	1 1/2"	20	100	21
CN200	2"	15	75	29

## Dimensional Table

Cat. #	A Nut Diameter	B Body Diameter
CN50	1.13	.41
CN75	1.38	.41
CN100	1.69	.66
CN125	1.89	.94
CN150	2.15	1.00
CN200	2.67	1.06

Rigid IMC Conduit Fittings



Made in the USA Since 1946

## Rigid Couplings Three Piece Construction

- Industrial specification grade, screw machined steel, zinc plated
- 1/2" & 3/4" Steel UL Rated Liquid Tight & Concrete Tight
- 1" - 4" UL Rated Concrete Tight

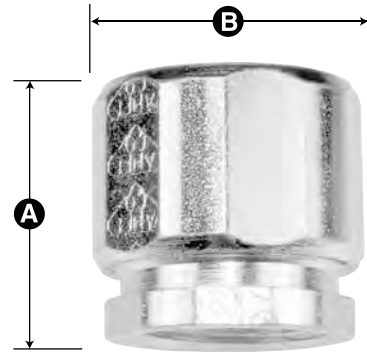


E93605



LR61799

## SPEC-grade



Featuring:  
EZ-Torque Compression Nut

### Steel - 3 Piece Couplings

Cat. #	Size	Unit Ctn	Std Pkg	WT/ 100
ER50	1/2"	20	200	15
ER75	3/4"	20	100	17
ER100	1"	5	50	36
ER125	1-1/4"	5	25	52
ER150	1-1/2"	5	25	68
ER200	2"	5	25	90

### Dimensional Table

Cat. #	A Length	B Diameter
ER50	1.43	1.31
ER75	1.52	1.61
ER100	1.70	2.13
ER125	2.13	2.40
ER150	2.18	2.89
ER200	2.36	3.40

### Malleable Iron - 3 Piece Couplings

Cat. #	Size	Unit Ctn	Std Pkg	WT/ 100
ER50M	1/2"	20	200	36
ER75M	3/4"	20	100	32
ER100M	1"	5	50	55
ER125M	1-1/4"	5	25	119
ER150M	1-1/2"	5	25	140
ER200M	2"	5	25	199
ER250M*	2-1/2"	-	5	361
ER300M*	3"	-	5	454
ER350M*	3-1/2"	-	4	637
ER400M*	4"	-	2	811

### Dimensional Table

Cat. #	A Length	B Diameter
ER50M	1.43	1.31
ER75M	1.52	1.61
ER100M	1.70	2.13
ER125M	2.13	2.40
ER150M	2.18	2.89
ER200M	2.36	3.40
ER250M	2.52	4.03
ER300M	2.58	4.62
ER350M	2.65	5.35
ER400M	3.42	5.87

\*Malleable Iron



Made in the USA Since 1946

## Raintight Combination Couplings Rigid Conduit-IMC to Liquid Tight Conduit

- Reusable ferrule
- Steel, zinc plated



UL rated suitable for hazardous locations  
Class I, Div. 2; Class II, Div. 1 and 2;  
Class III, Div. 1 and 2; NEC 501-4(b),  
502-4(a), 503-3(a)

## SPEC-grade



Featuring:  
**EZ-Torque Compression Nut**

Cat. #	Size	Uni Ctn	Std Pkg	WT/ 100
STREMT50RT	1/2"	25	250	15
STREMT75RT	3/4"	10	100	22
STREMT100RT	1"	5	50	40



Made in the USA Since 1946

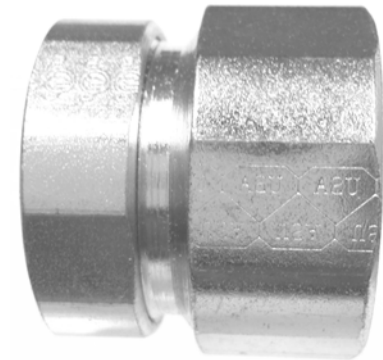
**SPEC-grade**

## ETR Series

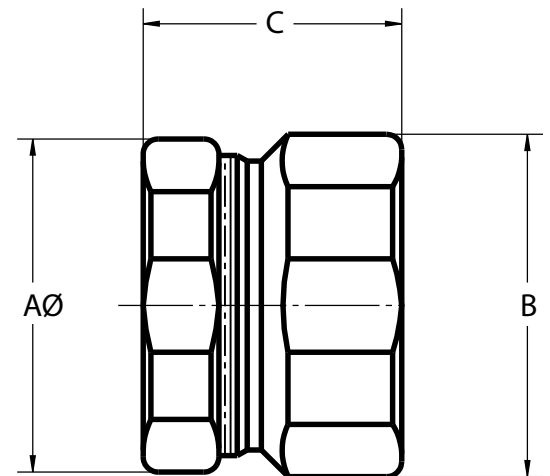
### Combination Compression Coupling Transitions EMT to Rigid Conduit Standard or RainTight

Size Range 1/2" to 2"

Material: Steel, Zinc Plated



Featuring:  
**EZ-Torque Compression Nut**



Cat #	Trade Size	Type	A Ø	B	C
ETR50	1/2"	STANDARD	.97	.97	1.24
ETR50RT	1/2"	RAINTIGHT	.97	.97	1.24
ETR75	3/4"	STANDARD	1.22	1.33	1.28
ETR75RT	3/4"	RAINTIGHT	1.22	1.33	1.28
ETR100	1"	STANDARD	1.49	1.56	1.45
ETR100RT	1"	RAINTIGHT	1.49	1.56	1.45
ETR125	1-1/4"	STANDARD	1.88	1.89	1.56
ETR125RT	1-1/4"	RAINTIGHT	1.88	1.89	1.56
ETR150	1-1/2"	STANDARD	2.14	2.15	1.78
ETR150RT	1-1/2"	RAINTIGHT	2.14	2.15	1.78
ETR200	2"	STANDARD	2.69	2.15	1.78
ETR200RT	2"	RAINTIGHT	2.69	2.67	1.88

ETR-Combo 092014.1



## Service Entrance Water - Tight Connectors for Underground Feeder Cable

American Fittings top of the line service entrance offering is a Type UF Connector designed to connect underground feeder cables to meter boxes or enclosures. This rugged steel connector provides a liquid tight connection for the life of the installation.

- To protect against corrosion, a threaded tapered steel body and nut is furnished with a brilliant electro zinc chromate plating.
- A steel retaining ring safeguards the cable jacket from abrasion and reduces the torque effort required to install.
- Complete with a neoprene bushing designed to withstand oil and water, and provide a superior gripping surface.

## SPEC-grade



Featuring:  
**EZ-Torque Compression Nut**



E123511

## U.F. (Underground Feeder Cable) Connectors *Compression Type*

- Connects underground feeder cables to a box or enclosure
- Neoprene bushing resists oil and water
- Taper pipe thread

### Steel

Cat. #	Size	Uni Ctn	Std Pkg	WT/ 100	Wire Sizes
UF50	1/2"	25	250	12	UF50 14-2 12-2 W/WO GRND
UF5075	3/4"	10	100	18	UF5075 14-2 12-2 W/WO GRND
UF75	3/4"	10	100	18	UF75 14-3 12-3 10-3 W/WO GRND

Service Entrance Connectors





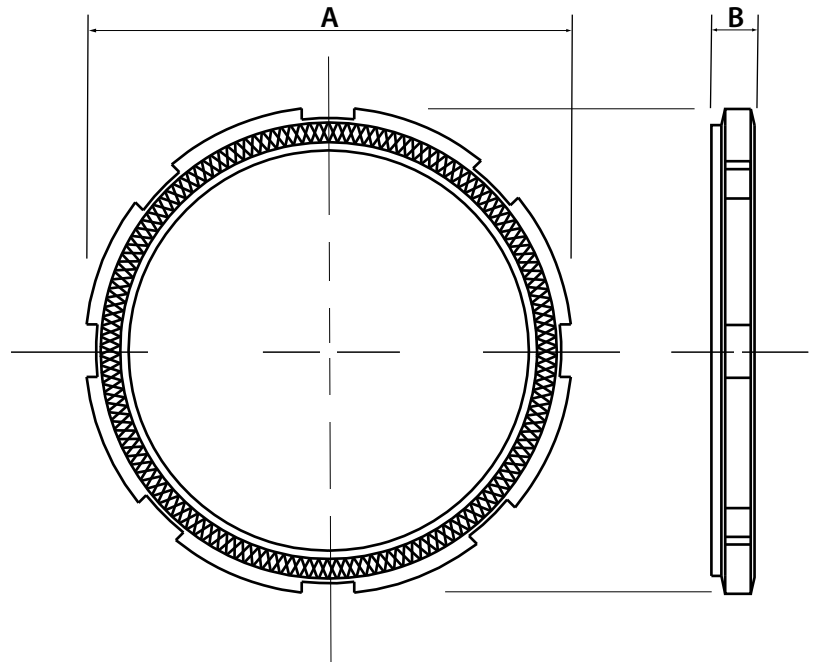
## "TURN ON" with AMFICO's Next Generation SPEC-grade LOCKnuts™

Heavy Duty Industrial  
Specification Grade Locknuts

Solid Steel Construction  
Machined from Bar Stock  
Electro Plated Zinc, Will Not Flake When Installed  
Made in the USA



Patent Pending



*The Most Severe Vibrations Will NOT Loosen This Locknut's "Cutting Edge" Grip*

### SPEC-grade LOCKnuts™

Our solid steel industrial grade locknuts feature AMFICO's uniformed and uniquely designed machine cut serrations. This assures you the capability of cutting through protective coatings on boxes or enclosures to guarantee a positive lock for bonding and grounding.

Unique beveled tangs provide the easiest means to tighten the locknut.

Fully machined ID threads provide the fastest and an ultra-secure threading to pipe or AMIFCO fittings.

Patent Pending

Solid Steel Fully Machined Industrial Specification Grade Locknuts

Cat. #	Trade Size	A	B Thickness
LN 50US	1/2"	1.13"	.13"
LN 75US	3/4"	1.39"	.13"
LN100US	1"	1.69"	.17"
LN125US	1-1/4"	2.06"	.17"
LN150US	1-1/2"	2.28"	.17"
LN200US	2"	2.78"	.17"

Better Ideas, Better Products, Made in the USA

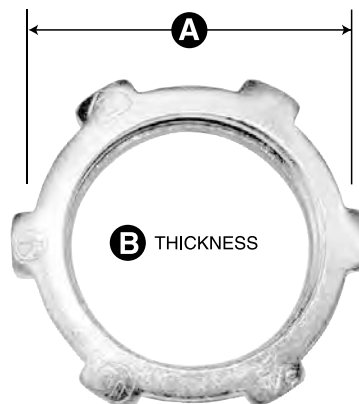


Made in the USA Since 1946

## Conduit Locknuts (UL & CSA listed)

- Industrial specification grade steel
- Heavier steel construction
- Electro zinc plated for corrosion protection
- Fastens threaded conduit to unthreaded opening in a box or enclosure
- Superior clean threads for tightening without distortion
- Rugged tangs for extensive reach and ensured bonding

## SPEC-grade



E93605



LR61799

### Dimensional Table

Cat. #	Size	Unit Ctn	Std Pkg	WT/ 100
LN25	1/4"	200	2000	1
LN38	3/8"	200	2000	1
LN50	1/2"	200	2000	1
LN75	3/4"	100	1000	2
LN100	1"	50	500	4
LN125	1-1/4"	50	500	7
LN150	1-1/2"	25	250	8
LN200	2"	25	250	9
LN250	2 1/2"	-	30	29
LN300	3"	-	25	42
LN350	3 1/2"	-	25	48
LN400	4"	-	25	52
LN500	5"	-	10	95
LN600	6"	-	10	106

Cat. #	A Diameter	B Thickness
LN25	.80	.11
LN38	.98	.12
LN50	1.13	.13
LN75	1.38	.14
LN100	1.72	.18
LN125	2.06	.19
LN150	2.38	.18
LN200	2.89	.19
LN250	3.54	.39
LN300	4.23	.39
LN350	4.75	.39
LN400	5.29	.39
LN500	6.68	.50
LN600	7.34	.56

\* Malleable Iron

Rigid IMC Conduit Fittings

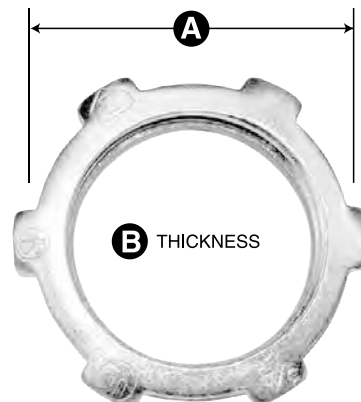


## Sealing Locknuts

- Zinc plated with PVC Molded Gasket



## SPEC-grade



## Steel - Sealing Locknuts

Cat. #	Size	Unit Ctn	Std Pkg	WT/ 100
SL1*	1/2"	100	1000	2
SL2*	3/4"	100	1000	3
SL3*	1"	50	500	2
SL4*	1-1/4"	25	250	8
SL5*	1-1/2"	25	250	8
SL6*	2"	10	100	12
SL7	2-1/2"	-	25	20
SL8	3"	-	25	20
SL9	3-1/2"	-	10	24
SL10	4"	-	10	24
SL11	5"	-	5	95
SL12	6"	-	5	125

## Dimensional Table

Cat. #	A Diameter	B Thickness
SL1	1.12	.26
SL2	1.37	.27
SL3	1.75	.28
SL4	2.06	.32
SL5	2.37	.32
SL6	2.87	.32
SL7	3.43	.32
SL8	4.12	.32
SL9	4.62	.32
SL10	5.18	.32

\*UL & CSA Listed



## Grounding Locknuts

- Threaded for Rigid/IMC conduit
- Used to insure positive bonding and fastening to a box or enclosure
- Required for installations where severe vibration is encountered
- Solid steel construction
- Zinc plated for corrosion protection



## SPEC-grade



## Grounding Locknuts

Cat. #	Size	Unit Ctn	Std Pkg	WT/100
GRL50	1/2"	100	1000	3
GRL75	3/4"	100	1000	3
GRL100	1"	50	500	5
GRL125	1-1/4"	50	250	6
GRL150	1-1/2"	25	250	9
GRL200	2"	20	200	14
GRL250	2-1/2"	-	25	16
GRL300	3"	-	20	28
GRL350	3-1/2"	-	10	36
GRL400	4"	-	10	40

## Dimensional Table

Cat. #	A Diameter	B Thickness
GRL50	1.340	.170
GRL75	1.575	.170
GRL100	1.890	.170
GRL125	2.300	.170
GRL150	2.600	.170
GRL200	3.100	.187
GRL250	3.562	.375
GRL300	4.250	.375
GRL350	4.803	.375
GRL400	5.402	.375

Rigid IMC Conduit Fittings



Made in the USA Since 1946

## Rigid EMT Steel Straps

- To securely fasten and support Rigid or Intermediate metal conduit to the mounting surface
- For use in wet or dry locations
- Bright electro zinc finish for corrosion protection



### One-Hole Rigid Type

Cat. #	Size	Unit Ctn	Std Pkg	WT/ 100
CSR251	1/4"	100	1000	2
CSR371	3/8"	100	1000	3
CSR501	1/2"	50	500	4
CSR751	3/4"	50	250	5
CSR1001	1"	50	250	8
CSR1251	1-1/4"	25	125	11
CSR1501	1-1/2"	20	100	17
CSR2001	2"	10	50	22
CSER2501	2-1/2"	-	20	42
CSER3001	3"	-	10	49
CSER3501	3-1/2"	-	10	71
CSER4001	4"	-	10	78

\*Made in the USA

### One-Hole BX Type

Cat. #	Size	Unit Ctn	Std Pkg	WT/ 100
CSBX381	12-2, 12-3, 10-2, 10-3	100	1000	1

### Two-Hole Rigid Type

Cat. #	Size	Unit Ctn	Std Pkg	WT/ 100
CSR502*	1/2"	50	500	2
CSR752*	3/4"	50	250	3
CSR1002*	1"	50	250	5
CSR1252*	1-1/4"	25	125	7
CSR1502*	1-1/2"	20	100	12
CSR2002*	2"	10	50	15
CSER2502*	2-1/2"	-	20	17
CSER3002*	3"	-	10	23
CSER3502*	3-1/2"	-	10	26
CSER4002*	4"	-	10	33



Rigid IMC Conduit Fittings



## EMT Steel Straps

- To securely fasten and support EMT metal conduit to the mounting surface
- For use in wet or dry locations
- Bright electro zinc finish for corrosion protection



### One-Hole EMT Type

Cat. #	Size	Unit Ctn	Std Pkg	WT/100
CSE501	1/2"	100	1000	3
CSE751	3/4"	100	500	4
CSE1001	1"	50	250	6
CSE1251	1-1/4"	30	150	9
CSE1501	1-1/2"	25	125	13
CSE2001	2"	20	100	17
CSER2501	2-1/2"	-	20	42
CSER3001	3"	-	10	49
CSER3501	3-1/2"	-	10	71
CSER4001	4"	-	10	78

### One-Hole BX Type

Cat. #	Size	Unit Ctn	Std Pkg	WT/100
CSBX381	12-2, 12-3, 10-2, 10-3	100	1000	1

### Two-Hole EMT Type

Cat. #	Size	Unit Ctn	Std Pkg	WT/100
CSE502	1/2"	100	1000	2
CSE752	3/4"	100	500	3
CSE1002	1"	50	250	3
CSE1252	1-1/4"	30	150	6
CSE1502	1-1/2"	25	125	8
CSE2002	2"	15	75	14
CSER2502	2-1/2"	-	20	17
CSER3002	3"	-	10	23
CSER3502	3-1/2"	-	10	26
CSER4002	4"	-	10	33







Made in the USA Since 1946

## Rigid Conduit Hangers with Bolts

- To fasten and secure EMT or rigid conduit to threaded rod, insulator supports, or directly to mounting surface
- Furnished with nut and bolt to accelerate installation
- For use in wet or dry locations
- Bright Electro Zinc Finish



### Selection Table

Cat. #	Trade Size	Conduit Size		Unit / CTN	Std / Pkg	WT/100
		Rigid	EMT			
CHBOUS	0	3/8"-1/2"	1/2"	50	250	7
CHB1US	1	3/4"	3/4"	50	250	7
CHB2US	2	1"	1"	25	125	8
CHB25US	2-1/2	-	1-1/4"	20	100	11
CHB3US	3	1-1/4"	1-1/2"	20	100	11
CHB4 US	4	1-1/2"	-	10	50	19
CHB5 US	5	2"	2"	10	50	22
CHB6US	6	2-1/2"	2-1/2"	-	25	28
CHB7US	7	3"	3"	-	20	31
CHB8US	8	3-1/2"	3-1/2"	-	10	32
CHB9US	9	4"	4"	-	10	37

Rigid IMC Conduit Fittings



Made in the USA Since 1946

## EMT Conduit Hangers with Bolts

- To fasten and secure EMT or rigid conduit to threaded rod, insulator supports, or directly to mounting surface
- Furnished with nut and bolt to accelerate installation
- For use in wet or dry locations
- Bright Electro Zinc finish



## Selection Table

Cat. #	Trade Size	Conduit Size		Unit / CTN	Std / Pkg	WT/100
		Rigid	EMT			
CHBOUS	0	3/8"-1/2"	1/2"	50	250	7
CHB1US	1	3/4"	3/4"	50	250	7
CHB2US	2	1"	1"	25	125	8
CHB25US	2-1/2	-	1-1/4"	20	100	11
CHB3US	3	1-1/4"	1-1/2"	20	100	11
CHB4US	4	1-1/2"	-	10	50	19
CHB5US	5	2"	2"	10	50	22
CHB6US	6	2-1/2"	2 1/2"	-	25	28
CHB7US	7	3"	3"	-	20	31
CHB8US	8	3-1/2"	3-1/2"	-	10	32
CHB9US	9	4"	4"	-	10	37

EMT Conduit Fittings



## Bus Drop Supports

- Galvanized steel mesh
- Permanent support
- Relieves tension and absorbs vibration



Cat. #	Cable Ranges		Length Eye	Length Mesh	Std Pkg	WT/ 100
	Min.	Max.				
BD032*	.220	.32	3	4.50	5	2
BD043*	.300	.43	4	5.13	10	2
BD056*	.410	.56	6	6.38	10	4
BD073*	.530	.73	7	8.00	10	5
BD085*	.700	.85	7	10.00	5	9
BD100*	.820	1.00	8	11.00	5	10
BD125*	.960	1.25	9	14.00	5	13
BD032UB**	.220	.32	9	4.50	5	2
BD043UB**	.300	.43	10	5.13	10	2
BD056UB**	.410	.56	12	6.38	10	5
BD073UB**	.530	.73	13	8.00	10	6
BD085UB**	.700	.85	13	16.00	5	11
BD100UB**	.820	1.00	14	11.00	5	13
BD125UB**	.960	1.25	15	14.00	5	16

\*Single eye \*\*Universal Bail

Accessory Strain Relief Grips



## Junior Pulling Grips

- Flexible eye
- High grade galvanized steel mesh
- Reusable



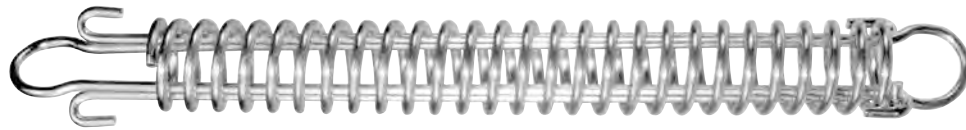
Cat. #	Cable Ranges		Length	Length	Std	WT/
	Min.	Max.	Eye	Mesh	Pkg	100
PJ024	19	.24	1/2"	4.25	1	2
PJ036	.25	.36	1/2"	7.00	1	2
PJ049	.34	.49	1/2"	10.12	1	3
PJ061	.50	.61	1/2"	11.75	1	6
PJ074	.62	.74	1/2"	13.25	1	10
PJ099	.75	.99	3/4"	14.00	1	15
PJ125	1.00	1.25	3/4"	15.87	1	23
PJK-1(KIT)	.25	1.25	-	-	1	85

Accessory Strain Relief Grips



## Safety Springs

- High strength galvanized steel
- Available in 40 and 80 lb. test
- Used with single eye bus drops



Accessory Strain Relief Grips

Cat. #	Lbs.	Length	Diameter	Std Pkg	WT/ 100
SS40	40	8.25	.75	10	18
SS80	80	8.25	1.00	10	32

# AMERICAN FITTINGS Corporation

e Catalog Online Edition

2014

*Better Products, Better Ideas  
Made in the USA Since 1946*

**SPEC-grade**



## Industrial Electrical Fittings

Connect With Us On



Scan to Save a PDF File on  
Your Smart Device

Sold Exclusively Through Electrical Distributors

17-10 Willow Street  
Fair Lawn, New Jersey 07410  
t: 800.221.5268 e: info@amftgs.com  
amftgs.com