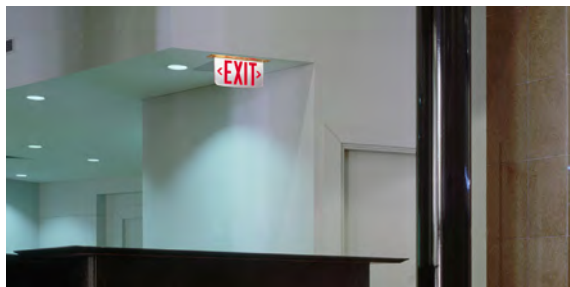


DUAL-LITE



Serves the architectural, commercial and industrial market place since 1940. Recognized for innovative designs and quality life safety products. Dual-Lite offers LED Emergency lighting units, exit signs, battery packs and central lighting inverters.



EV Series

Architectural LED Emergency Light

EMERGENCY LIGHTING

FEATURES

- Architectural LED based emergency light for wall or ceiling commercial application
- High impact, flame rated and UV stable white thermoplastic housing
- Fully adjustable high output LED lamp-heads
- Environmentally Friendly Nickel Metal Hydride Battery
- Includes top mount conduit entry
- Temperature Range: 20°C to 30°C(68°F to 86°F), damp: 10°C to 40°C(50°F to 104°F)
- UL924 Listed(optional damp location listed)
- US Patents Pending



ORDERING INFORMATION

MODEL	CAPACITY	RATING	SELF DIAGNOSTICS	OPTIONS
EV	2 1 W LED heads 4 2W LED heads ⁴ OR 1W LED w/ remote cap. ¹	Blank Standard Model D Damp Location Listing ²	Blank None I Spectron [®] Self-diagnostic	B Black Finish -24K 220-240VAC60Hz with Spectron ^{®3} -02L 2 watt LED heads ⁵ -0 No-head option to run external remotes only ⁶

¹ Capacity to run 2 head remote
² EV2 available with or with-out damp listing, all other models include damp
³ -24K option only available with damp plus Spectron[®]
⁴ Not capable of running remote heads
⁵ Can only be run from EV4 model
⁶ -0 No-head option only available with EV4D-02L, with or without Spectron[®]
NOTE: Remote Capacity Option will only power the EVR2 and EVO remotes

POWER CONSUMPTION

	AC VOLTAGE	HZ.	AMPS.	WATTS	POWER FACTOR
EV2 EV2D	120	60	0.015	1.10	0.61
	240	60	0.009	1.43	0.62
	277	60	0.008	1.45	0.62
EV4D	120	60	0.022	2.00	0.73
	240	60	0.015	2.51	0.65
	277	60	0.014	2.75	0.63

- The EV Series meets proposed California Energy Commission(CEC) requirements for limits on power consumption in maintenance mode with less than 0.5 watts.

ELECTRONICS

- 120/277VAC input with Intelligent 2 wire connection
- AC lockout and Low Voltage disconnect
- Battery re-charge within 24 hours
- Optional Self-Test/Self-Diagnostic circuitry

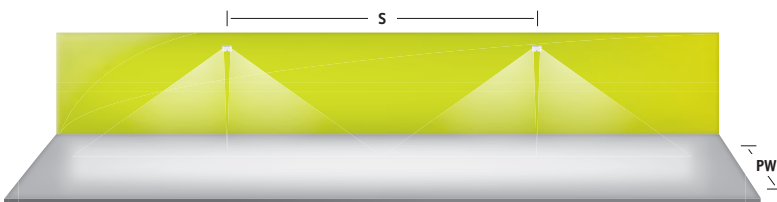
MATCHING INDOOR REMOTE FIXTURES

WHITE SINGLE	BLACK SINGLE
EVR2	EVR2B

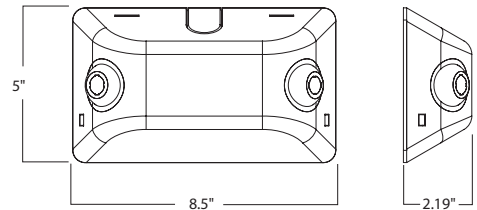
ACCESSORIES

MODEL	DESCRIPTION
VRS3	Vandal resistant shield
WGLZ	Wire Guard

MULTI-UNIT SPACING



1 fc Average			1 fc Minimum		
Path Width (PW)	Using 1 Watt Heads	Using 2 Watt Heads	Path Width (PW)	Using 1 Watt Heads	Using 2 Watt Heads
3'	Spacing (S) 27'	Spacing (S) 39'	3'	Spacing (S) 14'	Spacing (S) 18'
6'	Spacing (S) 20'	Spacing (S) 33'	6'	Spacing (S) 10'	Spacing (S) 14'



Meets Life Safety Code minimum illuminance of 0.1 fc and average illuminance of 1.0 fc. Assumes open space with no obstructions, mounting height of 7.5', ceiling height of 9' and reflectances of 80/50/20. Photometry files available on the Dual-Lite web site (www.dual-lite.com).



EVC Series

Architectural LED Combination EXIT/Emergency Light

EXIT SIGNS



FEATURES

- Compact, Architectural LED based combination EXIT/emergency light for wall, ceiling or end mounting
- High impact, flame rated and UV stable thermoplastic housing
- Dual-ratcheting design for full range LED lamp-head positioning
- Bright and even EXIT panel illumination
- Environmentally friendly, long life-cycle Lithium Iron Phosphate battery
- Includes top mount conduit entry
- Temperature Range: 20°C to 30°C(68°F to 86°F), damp: 10°C to 40°C(50°F to 104°F)
- UL924 Listed(optional damp location listed)
- US Patents Pending

ORDERING INFORMATION

EVC						
MODEL	FACES	LETTER COLOR	FINISH	APPLICATION	SELF DIAGNOSTICS	OPTIONS
EVC	U Universal Face	R Red G Green	W White B Black ⁷	Blank Standard Model D4 2 LED Remote Capacity D Damp Listed ²	Blank None I Spectron® Self-diagnostic ⁶	-0 No Lamp-heads ³ -FAP Fire Alarm Panel ^{1,5} -FM Flasher Module ^{1,5} -AF Audible Flasher ^{1,5} -24K 220-240VAC 50,60Hz with Spectron® ⁴

¹Can only be specified with Spectron® Self-Diagnostics and remote capacity

²Damp Location Listed not available with EVCURW and EVCUGW base models, standard with all other models

³No-head option only available on the EVC with remote capacity

⁴-24K option only available with Spectron® Self-Diagnostic and remote capacity

⁵FAP, FM or AF options may not be specified together

⁶Spectron® Self-Diagnostics only available with damp

⁷Black finish only available with damp option

POWER CONSUMPTION

AC VOLTAGE	HZ.	AMPS.	WATTS	POWER FACTOR
120	60	0.021	1.65	0.65
277	60	0.017	2.42	0.52

MATCHING REMOTE FIXTURES

MODEL	DESCRIPTION
EVR2	2 LED indoor remote
EVO	Single or Double head outdoor remote
EVR2B	2 LED Remote with Black Finish
VRS3	Vandal Resistant Shield

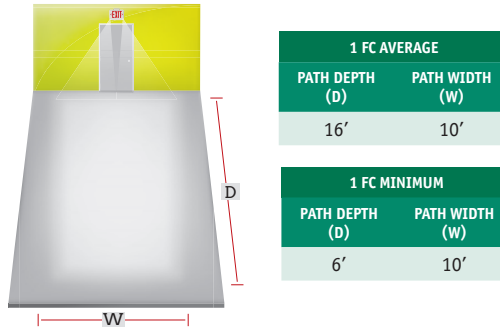
ACCESSORIES

MODEL	DESCRIPTION
VRS3	Vandal resistant shield

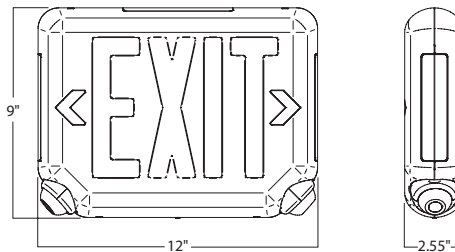
ELECTRONICS

- 120/277VAC input
- AC lockout and Low Voltage disconnect
- Battery re-charge within 24 hours
- Optional Self-Test/Self-Diagnostic circuitry

SINGLE UNIT COVERAGE



Meets Life Safety Code minimum illuminance of 0.1 fc and average illuminance of 1.0 fc. Assumes open space with no obstructions, mounting height of 7.5', ceiling height of 9' and reflectances of 80/50/20. Photometry files available on the Dual-Lite web site (www.dual-lite.com).



Overall height with Canopy is 9.8"



EVE Series

LED Exit Sign

FEATURES

- Compact, Architectural LED based EXIT sign for wall, ceiling or end mounting
- Matching Family Appearance
- Bright and even EXIT panel illumination
- AC only or 90 minute panel illumination in the event of power outage
- Environmentally friendly, long life-cycle Nickel Metal Hydride battery
- UL924 Damp Location Listed
- Long-Life LEDs, 100,000 hours



EXIT SIGNS

ORDERING INFORMATION

EVE						
MODEL	FACES	LETTER COLOR	FINISH	OPERATION	SELF DIAGNOSTICS	OPTIONS
EVE	U Universal Face	R Red G Green	W White B Black ⁷	Blank Standard Model E Emergency	Blank None I Spectron® Self-diagnostic ⁶	-2C 2 circuit operation ^{2,5} -FAP Fire Alarm Panel ^{1,3,5,6} -FM Flasher Module ^{1,6} -AF Audible Flasher ^{1,6} -DC Remote DC Operation ^{2,4,6} -24K 220-240VAC 50,60Hz with Spectron®

¹ For use with Spectron self-diagnostic models only

² For use with AC models only

³ Operates with 24 volt AC or DC fire alarm panels

⁴ For emergency illumination of sign from remote 6-24 VDC power source

⁵ -DC option may not be specified with -2C or -FAP options

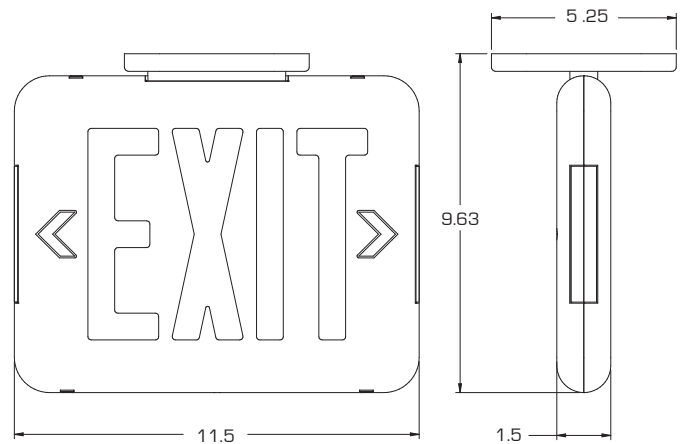
⁶ -AF,-FM and -FAP options may not be specified together

MATCHING FAMILY FIXTURES

MODEL	DESCRIPTION
EV Unit	2 LED Indoor Emergency Light
EVC	Exit Sign/ LED Emergency Light

ACCESSORIES

MODEL	DESCRIPTION
WGLX	Wire Guard (Wall Mount)
WGLXC	Wire Guard (Ceiling Mount)



EVO

Outdoor LED Remote

REMOTE HEADS



FEATURES

- Matching LED remote for the Evolution family
- High performance LEDs
- Architectural remote specifically for the Evolution family
- Durable Die-Cast Construction
- Fully gasketed, waterproof construction
- Single or Double Lamp-heads
- Corrosion resistant Black or White finish

REMOTE

ORDERING INFORMATION

EVO

MODEL



HEADS

- S Single
- D Double



OPTIONS

- B Black
- W White

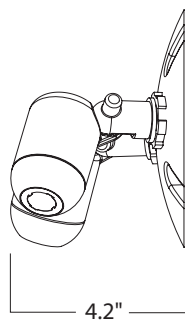
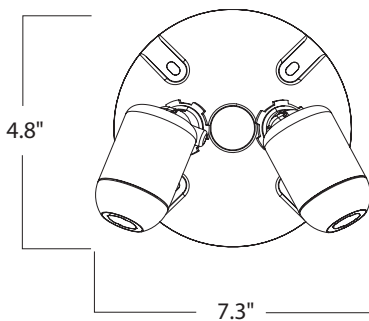
CAUTION: The EVO remote can only accept input power from the EV4D, EV4DI emergency lightor EVC-D4 combo with remote capacity. The EVO will not work with any other emergency units.

INPUT POWER REQUIREMENTS

- 4.8Vdc at 1 watt per head provided exclusively from an EV4D or EV4DI emergency light with remote capacity

SPECIFIC LED INFORMATION

- Lamp color: Cool white
- Total lamp output: 88 lumens per head
- System Efficacy: 80 Lumens per LED
- Rated LED Lamplife: Greater than 100,000 hrs.



DIMENSIONAL NOTE

Dimensions reflect maximum fixture width and depth.



Emergency LED Sconce

FEATURES

- Emergency unit for indoor/outdoor architectural applications
- Sturdy, ADA compliant, vandal-resistant, die-cast aluminum construction
- Four long-life, 6350K, high-output LEDs configured in redundant pairs
- Wide area illumination pattern with no heads to aim
- Maintenance-free nickel-cadmium battery with fully automatic charger
- Temperature range: 0°C to 50°C (32°F to 122°F), w/heater: -30°C to 50°C (-22°F to 122°F)
- UL 924 Wet location Listed
- Patents Pending and U.S. Patent No. D627,916.



ORDERING INFORMATION

PG	-	-
MODEL	FINISH	OPTIONS
PG	W White Z Dark Bronze P Platinum Silver B Black	HTR Battery Heater Add suffix to model

ELECTRONICS

- 120/277 60 Hz VAC operation, test switch and LED AC-On indicator light
- Spectron® self-test/self-diagnostic circuitry
- Transformer isolation, surge, transient and low voltage disconnect protection
- Standard electrical box and conduit entry provisions
- Reverse polarity, short circuit and AC lockout protection

POWER CONSUMPTION

MODEL WITHOUT HEATER		MODELS WITH HEATER	
120VAC	2.78 Watts	120VAC	15.2 Watts
277VAC	2.88 Watts	277 VAC	15.7 Watts
Power factor, average: .60 (lagging)		Power factor, average: .97 (lagging)	

SINGLE UNIT COVERAGE

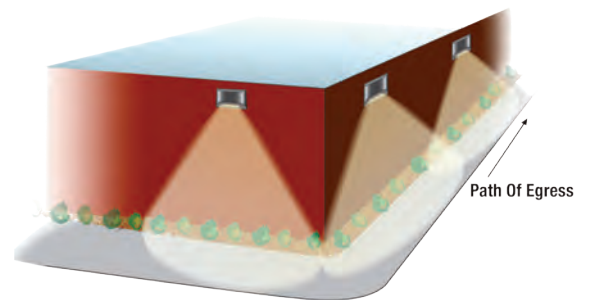
Mounting Height: 9'
 Outdoor Reflectance: 0/30/10
 Indoor Reflectance: 80/50/20



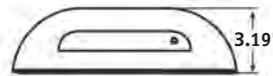
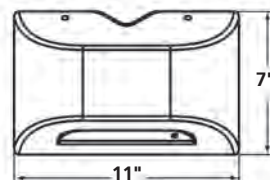
	INDOOR	OUTDOOR
1 FC Average (W x D)	33' X 10'	27' X 10'
1 FC Minimum (W x D)	10' X 10'	9' X 10'

MULTIPLE UNIT SPACING

Mounting Height: 9'
 Illuminated Path Depth: 6'
 Outdoor Reflectance: 0/30/10
 Indoor Reflectance: 80/50/20



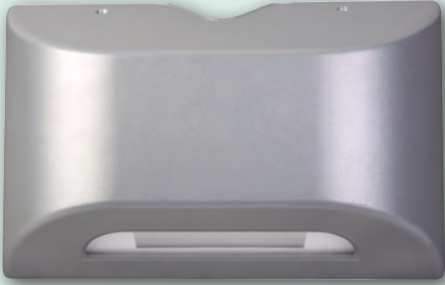
	INDOOR	OUTDOOR
1 FC Average	44'	33'
1 FC Minimum	16'	15'



PGF1

High Performance LED Sconce

EMERGENCY LIGHTING



FEATURES

- High performance LED wall-pack
- Sturdy, ADA compliant, vandal resistant, die-cast aluminum construction
- 7 long life 4300K high output LED's
- Wide area illumination with no heads to aim
- Dark Sky Compliant with use of supplied full cut-off shield
- Available with optional 120VAC photo-control
- Temperature range of -30° C to 50° C (-22° F to 22° F)
- Certified to UL1598 for use in wet locations
- Patents pending and U.S. Patent No. 0627,916
- 50,000 hours

ORDERING INFORMATION

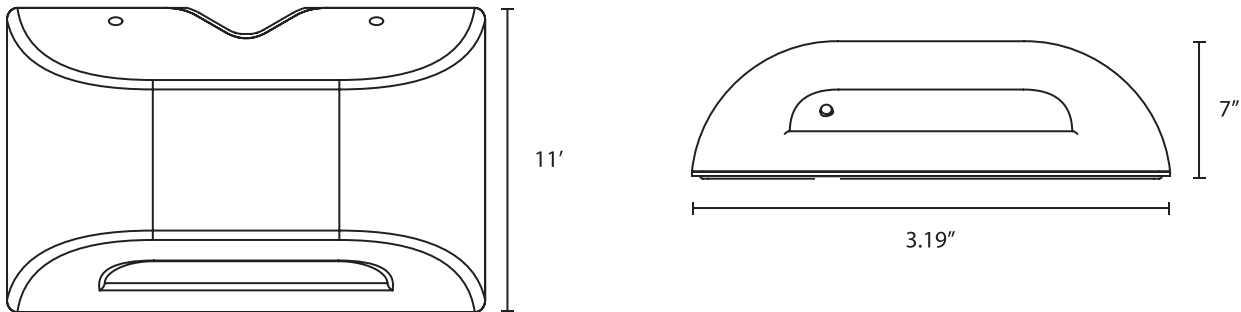
PGF1	-	
MODEL	HOUSING FINISH	OPTIONS
PGF1	Z Dark Bronze P Platinum Silver	PC1 120VAC Photo-control

INPUT POWER REQUIREMENTS

- 17.7 watts at 120/277VAC

SPECIFIC LED INFORMATION

- Lamp color: Cool white, 4300K
- Total lamp output: 1067 lumens
- LED Lamplife: 50,000 hrs.

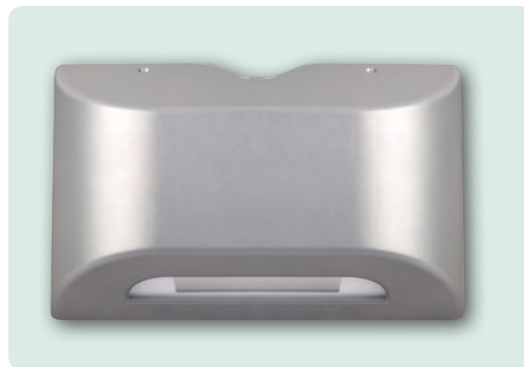


High Performance LED Sconce

EMERGENCY LIGHTING

FEATURES

- Normally-on sconce for indoor/outdoor architectural applications
- Compatible with remote DC input for emergency operation on same circuit
- Sturdy, ADA compliant, vandal-resistant, die-cast aluminum construction
- Four long-life, 4000K, high-output LEDs configured in redundant pairs
- Wide area illumination pattern with no heads to aim
- Dark sky compliant with use of supplied full cutoff shield
- Temperature range: -30°C to 50°C (-22°F to 122°F)
- UL 924 Wet location Listed
- U.S. Patent No. D627,916.



ORDERING INFORMATION

PGN	
MODEL	FINISH
PGN	W White
	Z Dark Bronze
	P Platinum Silver
	B Black

POWER CONSUMPTION

AC		DC	
120 VAC	17 Watts	6 VDC	12 Watts
277 VAC	17 Watts	12 VDC	12.5 Watts

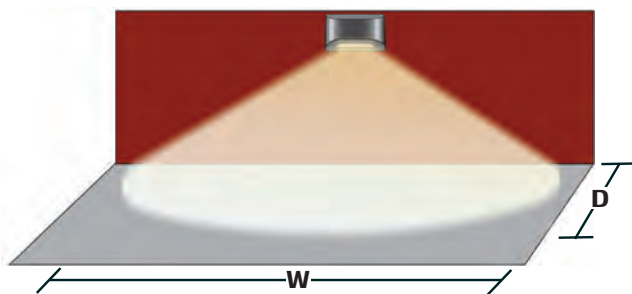
Power factor, average: .80 (lagging)

ELECTRONICS

- 120/277 60 Hz VAC operation
- Compatible with switched circuits
- Transformer isolation, surge, and transient protection
- Short circuit protection

SINGLE UNIT COVERAGE

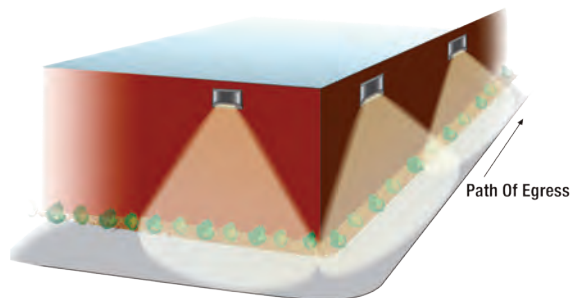
Mounting Height: 9'
Outdoor Reflectance: 0/30/10
Indoor Reflectance: 80/50/20



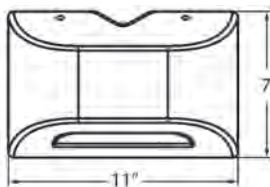
	INDOOR	OUTDOOR
1 FC Average (W x D)	35' X 10'	29' X 10'
1 FC Minimum (W x D)	11' X 10'	10' X 10'

MULTIPLE UNIT SPACING

Mounting Height: 9'
Illuminated Path Depth: 6'
Outdoor Reflectance: 0/30/10
Indoor Reflectance: 80/50/20



	INDOOR	OUTDOOR
1 FC Average	49'	37'
1 FC Minimum	19'	16'



High Performance LED Remote



FEATURES

The PGR offers LED performance in a remote fixture. Architectural style for indoor or outdoor application. The unit is illuminated by 4 high power LED's arranged so that in the event of 1 or 2 LED failures the unit will continue to operate. The PGR accepts DC voltage which must be supplied from an external 6-12V DC emergency lighting unit. Housing and mounting plate are constructed of 1/8" die-cast aluminum and sealed with a 1/8" closed-cell silicone gasket. Housing finish is powder coated electro-deposition paint available in four colors: dark bronze, white, platinum silver and black. Remote can be wall-mounted by use of a universal molded-in template. Wired from the j-box through the back or through a conduit entry at the top.

- U.S. Patent No. D627,916

ORDERING INFORMATION

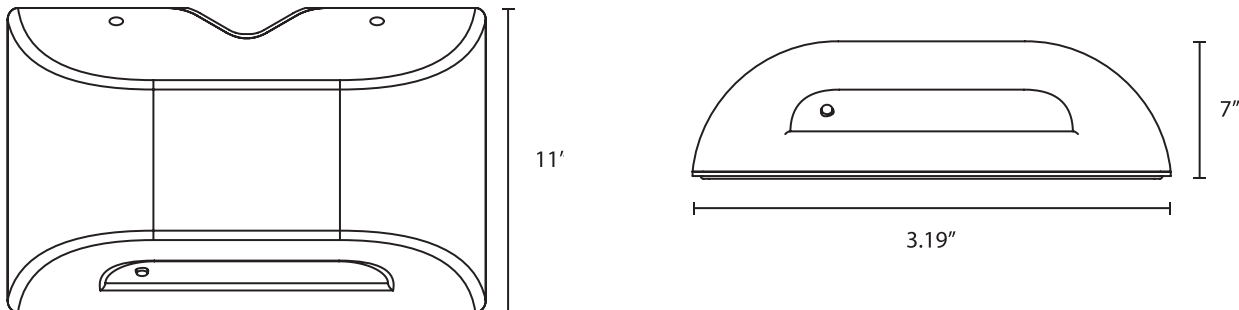
PGR	
MODEL	HOUSING FINISH
PGR	W White
	B Black
	Z Dark Bronze
	P Platinum Silver

INPUT POWER REQUIREMENTS

- 12 watts at 6vDC, 13 watts at 12vDC

SPECIFIC LED INFORMATION

- Lamp Color: Neutral White, 4000K
- Color Rendering Index (CRI): 75
- Total Lamp Output: 445 Lumens min. Initial
- LED Lamplife: 48,000 hrs. at 70% of Initial



HLEBS Series

Hazardous Location Emergency Light

FEATURES

- The HLEBS Series is a hazardous location LED based emergency lighting system which is designed for environments known to have high concentrations of gas, explosive vapors and dust
- For use in oil and gas refining, chemical production and storage, grain processing and paint manufacture
- The housing is made of copper free (less than 0.4%) aluminum with a baked on electrostatically applied epoxy for maximum corrosion resistance
- The housing/charger assembly contains long-life Nickel Cadmium batteries to power 2 each 10 watt LED lamp-heads
- Integral Push-To-Test switch and AC indicator on the main housing



EMERGENCY LIGHTING

ORDERING INFORMATION

HLEBS	23DH	P	T	
SERIES	CAPACITY	TEST OPTIONS	TIME DELAY	LAMP-HEAD OPTIONS
HLEBS	23DH 23 Watts with two heads for 90 min	P Integral PTT on Enclosure	T 15 Min Time Delay (120 or 277VAC)	<p>N No heads - For Remote Heads Ordered Separately</p> <p>A 2 HLEBSHK1030 Heads Factory Attached</p> <p>BG 2 HLEBSSEL1030 Heads with Guards and Fittings for Attachment</p> <p>BE 2 HLEBSSEL1030 Heads with 1 Guard and 1 HEXA-100 EXIT and Fittings for Attachment</p> <p>CG 1 HLEBSHK1030 Heads Attached and 1 HLEBSSEL1030 Head with Guard and Fittings for Attachment</p> <p>CE 1 HLEBSHK1030 Heads Attached and 1 HLEBSSEL1030 Head with HEXA-100 EXIT and Fittings for Attachment</p> <p>D 1 HLEBSHK1030 Only (2nd Head Remote - Ordered Separately)</p> <p>EG 1 HLEBSSEL1030 Only with Guard and Fittings for Attachment (2nd Head Remote - Ordered Separately)</p> <p>EE 1 HLEBSSEL1030 Only with HEXA100 EXIT and Fittings for Attachment (2nd Head Remote - Ordered Separately)</p>

DIRECT MOUNT CONFIGURATION EXAMPLES



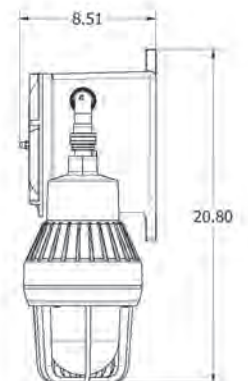
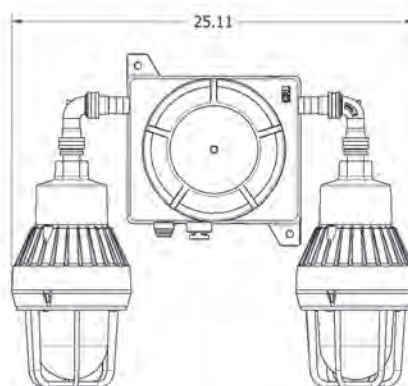
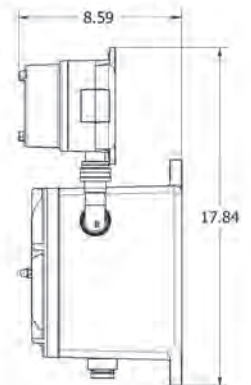
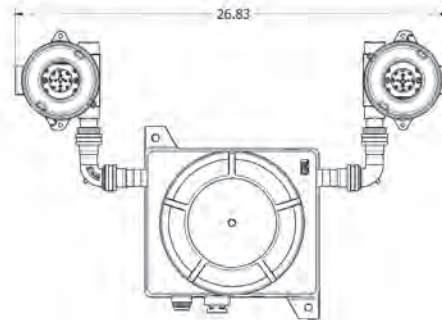
A- HK Heads Attached



BE-EL Heads and Exit Acc.



CG-HK and EL Heads



HLEBS Series

Hazardous Location Emergency Light

FEATURES

- The EL and HK heads are available for indirect remote mounting and are used in conjunction with the HLEBS housing/charger assembly designed to run 2 heads max.
- All remote heads are hazardous location listed
- All heads are 30VDC input with 10W load
- EL heads offer 1021 lumens and HK heads offer 905 lumens initial output

INDIRECT MOUNT CONFIGURATION EXAMPLES (ORDERED SEPARATELY)



Pendant

Ceiling

Wall

EL Remote Heads 10W 30VDC

	Pendant 3/4"	Ceiling 3/4"	Wall 3/4"
With Guard	HLEBSEL1030A2G	HLEBSEL1030X2G	HLEBSEL1030B2G
Without Guard	HLEBSEL1030A2	HLEBSEL1030X2	HLEBSEL1030B2

Classification: CID1CD; CIID1EFG



EBSHK1030-RFSC

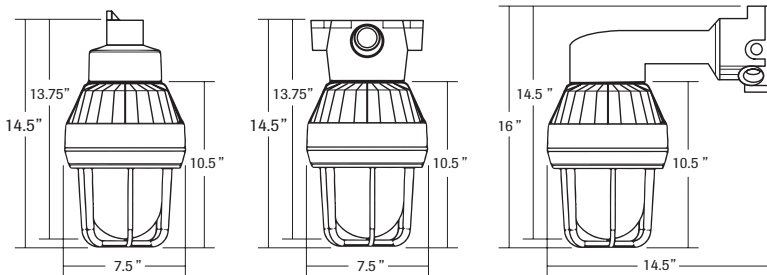
EBSHK1030-RFSL

HK Remote Heads 10W 30VDC

HK Head with Adjustable Factory Sealed "C" fittings set	HLEBSHK1030-RFSC
HK Head with Adjustable Factory Sealed "L" fittings set	HLEBSHK1030-RFSL

Classification: CID1D; CIID1EFG

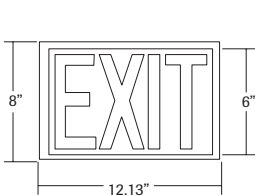
DIMENSIONS



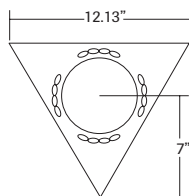
Pendant

Ceiling

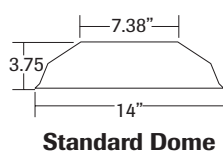
Wall



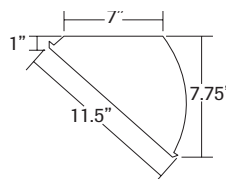
Exit Sign



Exit Accessory



Standard Dome



Angled

LUMINAIRE ACCESSORIES

MODEL	DESCRIPTION	
HEXA-100	Exit Accessory	
EMG1 EMG1R	Globe Guard Red Globe Guard	
ERSD15 ERA15	Dome Reflector Angle Reflector	



XPE Series

Explosion Proof Hazardous Location Exit Sign

FEATURES

- The XPE Series is a hazardous location exit sign which is designed for environments known to have high concentrations of gas, explosive vapors and dust
- For use in oil and gas refining, chemical production and storage, grain processing and paint manufacture
- The housing is made of copper free (less than 0.4%) aluminum with a baked epoxy for maximum corrosion resistance
- The XPE with emergency is supplied with a Nickel Cadmium battery to provide 90 minutes of operation in the event of power outage



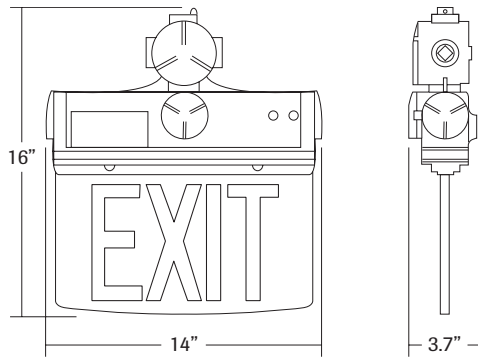
EXIT SIGNS

ORDERING INFORMATION

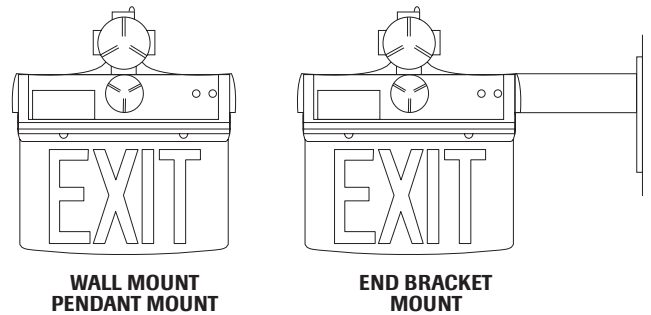
XPE	3	20				
SERIES	MOUNTING	FACES	LETTER COLOR	OPERATION	SELF-DIAGNOSTICS	OPTIONS
XPE	W Wall or Pendant E End Mount with bracket	S Single D Double	R Red G Green	Blank AC only E Emergency with battery	Blank No Self-Diagnostics I Spectron® Self-Diagnostics	-RM Green Running Man Legend -24K 220-240VAC 50-60Hz -RM2 Double Face Green Running Man Legend

¹Self-Diagnostics only available with emergency models

DIMENSIONS



ADDITIONAL MOUNTING OPTIONS



LE

Recessed Mounting Edge-Lit LED Exit Sign

EXIT SIGNS



FEATURES

- Edgelit exit sign for recessed mounted architectural and commercial applications
- Clear, injection molded, dual plaque acrylic with clear, white or mirror backgrounds
- High strength, extruded aluminum housing in multiple finishes
- Energy saving, long-life LED lamps exceeds brightness and uniformity requirements
- Custom printed, silk screened chevron arrows; 6" letters with 3/4" stroke
- End/ceiling/wall mount and included die-cast aluminum canopy
- Maintenance-free nickel-cadmium battery with fully automatic charger
- Temperature range: 20°C to 30°C (68°F to 86°F)
- UL 924 Wet Location Listed
- Special Worded signs certified to UL48-Electric Signs

ORDERING INFORMATION

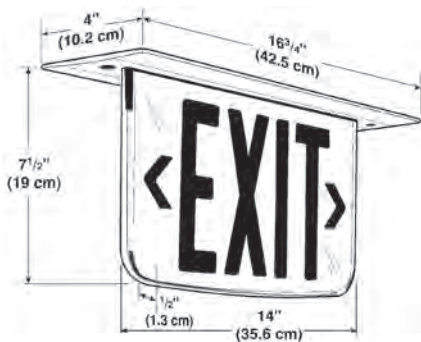
LE									
MODEL	MOUNTING	FACES	LETTER COLOR	DIRECTIONAL ARROWS	TRIM/HOUSING FINISH	OPERATION	SELF-DIAGNOSTIC	OPTIONS	
LE	C Ceiling mount W Wall mount E End mount	S Single D Double* <small>*Not for use with wall mounted models.</small>	R Red G Green	X No arrows EXIT R Right arrow* EXIT> L Left arrow* <EXIT D Double arrows <EXIT> C L/R arrows** <EXIT/EXIT> <small>*Not for use with double face models. Use "C" L/R arrow designator ** Double face models only. Provides reversible right or left arrow indicator</small>	N Satin Aluminum W White C Chrome B Black S Satin brass Z Dark Bronze	A AC only E Emergency	Blank None I Spectron self-testing/self-diagnostic electronics* <small>*For use with emergency models only.</small>	See "Options" section	

POWER CONSUMPTION

	SINGLE FACE	DOUBLE FACE
Red AC Only Models	2.2W	3.7W
Green AC Only Models	2.5W	4.4W
Red Emergency Models	3.3W	4.7W
Green Emergency Models	3.6W	5.2W

Wattage figures include LED lamps, transformers and electronics power requirements.

Power factor, average: .80 (lagging)



ACCESSORIES

MODEL	DESCRIPTION
URK	Universal rough-in kit
URK2C	Universal 2-circuit rough-in kit ^{a,b,c}

^a For use with AC models only.

^b Rough-in kit may not be ordered separately on models specified with -24K option.

^c Must be ordered in conjunction with -2C option on exit sign.

To Order Rough-In Kit Separately

To order rough-in kit only for early installation, add "-XK" option suffix to exit model number and order "URK" or "URK2C" kit separately.

ELECTRONICS

- Transformer isolation, surge, transient, and low voltage disconnect protection
- 90 minute emergency operation
- Reverse polarity, short circuit and AC-lockout protection
- 120/277VAC 60Hz operation, test switch and LED AC-On indicator light

OPTIONS

MODEL	DESCRIPTION
SW	Special Wording ¹²
2C	2-circuit operation ^{2,5}
FAP	Fire alarm panel interface ^{3,5,6}
FM	Flasher module ^{1,6}
AF	Audible/Flasher module ^{1,6}
DC	Remote DC Operation ^{2,4,5}
24K	220-240VAC, 60 Hz. operation ⁹
XK	Recessed mount exit sign less rough-in kit ^{7,9}
W	White plaque background
M	Mirror plaque background ⁸
8L	8 inch letter plaque (red letters only) ^{10,11}

¹ For use with emergency models only.

² For use with AC models only.

³ Operates with 24-volt AC or DC fire alarm panels.

⁴ For emergency illumination of sign from remote 6-24 VDC power sources.

⁵ -DC option may not be specified with -2C or -FAP options.

⁶ -AF, -FM and -FAP options may not be specified together.

⁷ Allows ordering of rough-in kit separately for recessed mount (LE) models. See "Accessories".

⁸ For use with single face models only. Standard on double face models.

⁹ Rough-in kit may not be ordered separately on models specified with -24K option.

¹⁰ LE exit models with 8" plaques registered under NYC-BEC Calendar Number 42135 for use in New York City.

¹¹ Single face LE exit signs specified with the -8L option are supplied without backgrounds. Double face models specified with the -8L option are supplied with mirror backgrounds.

¹² Enter Special Wording choice from page 963: example: SW41. Special wording option not available with 8" letter plaque. Some special wording signs not available with directional arrows.



Single-Phase Central Lighting Inverter 100 - 250 VA/W

FEATURES

- AC output provides full lumen output for emergency lighting loads in commercial or industrial applications
- Compatible with incandescent, LED, compact and linear fluorescent lamps
- White painted steel enclosure
- Offline operation for greater efficiency
- Maintenance-free lead-calcium batteries
- Temperature range: 20°C to 30°C (68°F to 86°F)
- UL 924 Wet Location Listed



LG2S

ORDERING INFORMATION

LG			
MODEL	CAPACITY	MOUNTING	SELF DIAGNOSTICS
LG	1 100 VA/W 2 250 VA/W ²	S Surface Wall Mounting T Recessed Ceiling Mounting ¹ R Recessed Wall Mounting ¹	Blank None I Spectron Self-test/Self-diagnostic Electronics ³

¹Only available on 100 VA/W models

²Housing (LG2SLB) and batteries (0120935) ship in separate cartons

³Only available on 250 VA/W models



LG1T



LG1S



LG1R

SPECIFICATIONS

BASE CATALOG NUMBER	FORM AND FIT	WEIGHT (LB) WITH BATTERIES	POWER RATING (VA/W)	POWER FACTOR	MAXIMUM INPUT CURRENT (A)	SYSTEM DC VOLTAGE	RECHARGE TIME(HR)
LG1S	Wall Mount Surface	43	100	0.8 lead to 0.75 lag	120 VAC: 1.02 A 277 VAC: 0.47 A	12	48
LG1R	Wall Mount Recessed	41	100	0.8 lead to 0.75 lag	120 VAC: 1.02 A 277 VAC: 0.47 A	12	48
LG1T	Ceiling Mount Recessed T-grid	45	100	0.8 lead to 0.75 lag	120 VAC: 1.02 A 277 VAC: 0.47 A	12	48
LG2S	Wall Mount Surface	78	250	0.8 lead to 0.7 lag	120 VAC: 2.5 A 277 VAC: 1.1 A	24	72

ELECTRONICS

- Interruptible design; automatically transfers in 2 seconds or less
- Load can be up to 1,000 feet away
- Temperature compensated battery charger
- Operates with normally-on, normally-off and switched loads
- LVD, AC lockout, short circuit, current limiting, overload and brownout protection
- LED status indicator and push button test switch

ACCESSORIES

MODEL	DESCRIPTION
WGTW	Wire Guard for LG1S
RTSLG	Remote Test Switch for LG2S

UFO-LED

LED Battery Pack

BATTERY PACKS



FEATURES

- Battery pack with 120/277 VAC 60Hz inverter output to power driver for a LED luminaire
- Sealed nickel-cadmium battery; powers driver/LED at full lumen output for 90 minutes
- Can be used with switched or unswitched luminaires
- Installation may be within, or remote from the luminaire; indoor installation for indoor or outdoor luminaires
- 120/277 VAC 60 Hz input operation, remote test switch with AC-On indicator light
- Temperature range: 0°C to 45°C (32°F to 122°F); 20VA/W only for 45°-50°C (113°-122°F)
- UL 924 Damp Location Listed

ORDERING INFORMATION

UFO-LED

25

MODEL

UFO-LED

OUTPUT VA/W

25

ACCESSORIES

MODEL	DESCRIPTION
SPRTS	Remote test switch /charge indicator module ^{1,2}

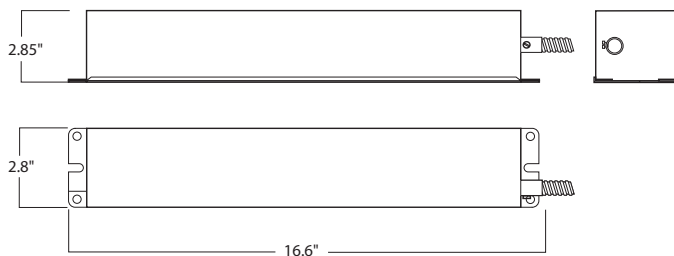
¹Fits single-gang box

²Comes standard; additional may be ordered

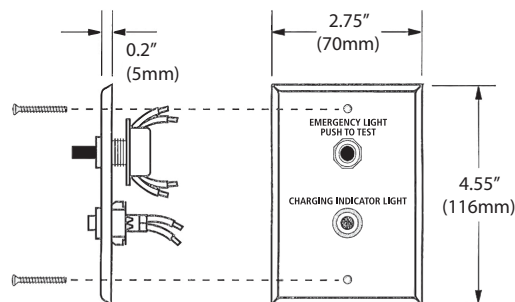
SPECIFICATIONS

CATALOG NUMBER	INPUT WATTAGE	MAX. LOAD VA/W (UNITY PF)	LAMP TYPE
UFO-LED25	9.5	25	LED

UFO-LED25



SPRTS (included remote test switch with charging indicator)





EXIT

COMPASS



Offers products such as emergency lighting units and exit signs for the commercial and institutional market place. Compass provides value engineered product without sacrificing performance.



Combination LED Exit/Light

FEATURES

- Combination unit for commercial applications
- UV stable thermoplastic white or black housing available
- Long life LED lamps in exit sign rated at 50,000 hour life expectancy
- LED Lamps with a life-cycle of more than 10 years
- Dual-voltage 120 or 277V AC input
- Remote capacity or extended runtime option
- Long-life Nickel Cadmium battery with fully automatic charger
- UL 924 Damp Location Listed



EXIT SIGNS

ORDERING INFORMATION

CATALOG NUMBER	DESCRIPTION
CCR	White Thermoplastic, Combination Exit/Emergency Light, Universal Face, Red Letters
CCRB	Black Thermoplastic, Combination Exit/Emergency Light, Universal Face, Red Letters
CCG	White Thermoplastic, Combination Exit/Emergency Light, Universal Face, Green Letters
CCGB	Black Thermoplastic, Combination Exit/Emergency Light, Universal Face, Green Letters
CCRRC	White Thermoplastic, Combination Exit/Emergency Light, Universal Face, Red Letters, Remote Capacity
CCRRCB	Black Thermoplastic, Combination Exit/Emergency Light, Universal Face, Red Letters, Remote Capacity
CCGRC	White Thermoplastic, Combination Exit/Emergency Light, Universal Face, Green Letters, Remote Capacity

Note: Remote Capacity Unit will only power the Compass Indoor and Outdoor Remote(CIR and COR Series)

MATCHING REMOTE FIXTURES

MODEL	DESCRIPTION
CIR	LED Indoor Remote Heads
COR	LED Outdoor Remote Heads

ACCESSORIES

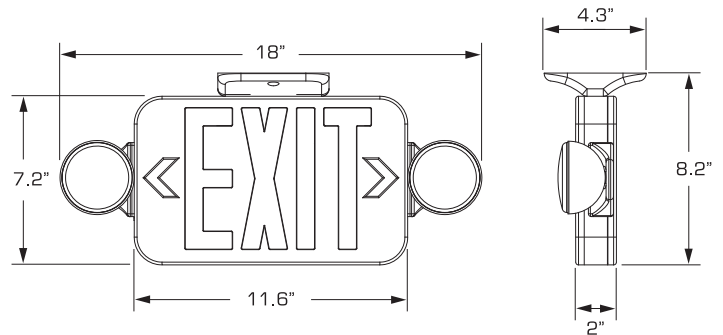
MODEL	DESCRIPTION
WGEL	Wall Mount Wireguard- 8" H X 20" W X 8" D

ELECTRONICS

- 90 minute emergency operation with 1 double or 2 single remotes
- Test switch and LED AC-on indicator light



CCGB



Single Carton Weight: 2.5 lbs.
Master Carton Quantity: 6 each

Thin Die-Cast LED Emergency Exit



FEATURES

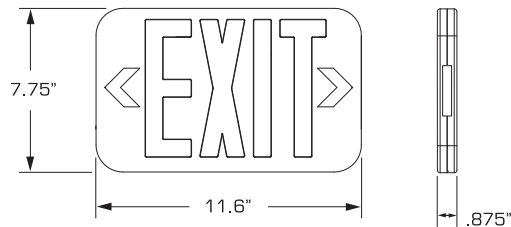
- Thin die-cast aluminum Exit sign for commercial or light industrial applications
- Painted black housing with brushed aluminum face
- Long life LED lamps provide bright, even illumination
- Universal end or ceiling mount with canopy included
- Dual-voltage 120 or 277V AC input
- Emergency models include long-life Nickel Cadmium battery
- UL 924 Damp Location Listed

ORDERING INFORMATION

CATALOG NUMBER	DESCRIPTION
CCESRE	Die-Cast Exit, Brushed Face, Black Housing, Single-Face, Red Letters, Emergency
CCEDRE	Die-Cast Exit, Brushed Face, Black Housing, Double-Face, Red Letters, Emergency
CCESGE	Die-Cast Exit, Brushed Face, Black Housing, Single-Face, Green Letters, Emergency
CCEDGE	Die-Cast Exit, Brushed Face, Black Housing, Double-Face, Green Letters, Emergency
CCESR	Die-Cast Exit, Brushed Face, Black Housing, Single-Face, Red Letters, AC
CCEDR	Die-Cast Exit, Brushed Face, Black Housing, Double-Face, Red Letters, AC
CCESG	Die-Cast Exit, Brushed Face, Black Housing, Single-Face, Green Letters, AC
CCEDG	Die-Cast Exit, Brushed Face, Black Housing, Double-Face, Green Letters, AC

ELECTRONICS

- 90 minute emergency operation
- AC or Emergency operation
- Test switch and LED AC-on indicator light



Single Carton Weight: 2.8 lbs.
Master Carton Quantity: 8 each

LED Emergency Exit

EXIT SIGNS

FEATURES

- Exit sign for commercial applications
- UV stable thermoplastic white or black housing available
- Long life LED lamps provide bright, even illumination
- Universal end or ceiling mount
- Dual-voltage 120 or 277V AC input
- Remote capacity or extended runtime option
- Long-life Nickel Cadmium battery with fully automatic charger
- UL 924 Damp Location Listed



ORDERING INFORMATION

CATALOG NUMBER	DESCRIPTION
CER	White Thermoplastic Exit, Universal Face, Red LED Emergency Exit
CERB	Black Thermoplastic Exit, Universal Face, Red LED Emergency Exit
CEG	White Thermoplastic Exit, Universal Face, Green LED Emergency Exit
CEGB	Black Thermoplastic Exit, Universal Face, Green LED Emergency Exit
CERRC	White Thermoplastic Exit, Universal Face, Red LED Emergency Exit, Remote Capacity
CERRCB	Black Thermoplastic Exit, Universal Face, Red LED Emergency Exit, Remote Capacity
CEGRC	White Thermoplastic Exit, Universal Face, Green LED Emergency Exit, Remote Capacity

Note: Remote Capacity Unit will only power the Compass Indoor and Outdoor Remote(CIR and COR Series)

MATCHING REMOTE FIXTURES

MODEL	DESCRIPTION
CIR	LED Indoor Remote Heads
COR	LED Outdoor Remote Heads

ACCESSORIES

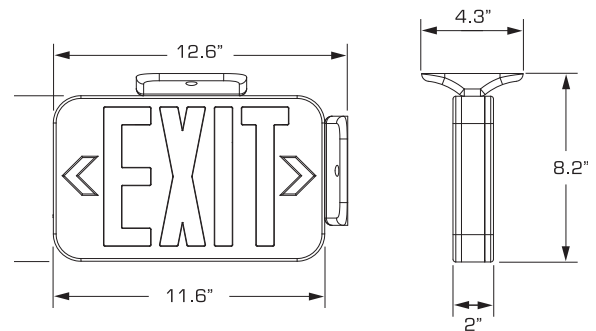
MODEL	DESCRIPTION
WGLX	Wall Mount Wireguard- 10" H X 14" W X 2.25" D

ELECTRONICS

- 90 minute emergency operation with 1 double or 2 single remotes
- Test switch and LED AC-on indicator light



CEGB



Single Carton Weight: 2 lbs.
Master Carton Quantity: 6 each



CIRS



CIRD



CORD



CORS

Edge-Lit LED Emergency Exit



FEATURES

- Edgelit exit sign for architectural applications
- Brushed aluminum housing with field installed directional arrows
- Long life LED lamps provide bright, even illumination
- Recessed or surface mount with canopy included
- Mirror divider on single and double-face models
- Dual-voltage 120 or 277V AC input
- Emergency models include long-life Nickel Cadmium battery
- UL 924 listed

ORDERING INFORMATION

CATALOG NUMBER	DESCRIPTION
CELS1RNE	Edge-Lit Exit, Surface Mount, Single Face, Red Letters, Brushed Aluminum, Battery
CELS1GNE	Edge-Lit Exit, Surface Mount, Single Face, Green Letters, Brushed Aluminum, Battery
CELS2RNE	Edge-Lit Exit, Surface Mount, Double Face, Red Letters, Brushed Aluminum, Battery
CELS2GNE	Edge-Lit Exit, Surface Mount, Double Face, Green Letters, Brushed Aluminum, Battery
CELR1RNE	Edge-Lit Exit, Recessed Mount, Single Face, Red Letters, Brushed Aluminum, Battery
CELR1GNE	Edge-Lit Exit, Recessed Mount, Single Face, Green Letters, Brushed Aluminum, Battery
CELR2RNE	Edge-Lit Exit, Recessed Mount, Double Face, Red Letters, Brushed Aluminum, Battery
CELR2GNE	Edge-Lit Exit, Recessed Mount, Double Face, Green Letters, Brushed Aluminum, Battery

ELECTRONICS

- 90 minute emergency operation with 1 double or 2 single remotes
- Test switch and LED AC-on indicator light

ADDITIONAL MOUNTING OPTIONS



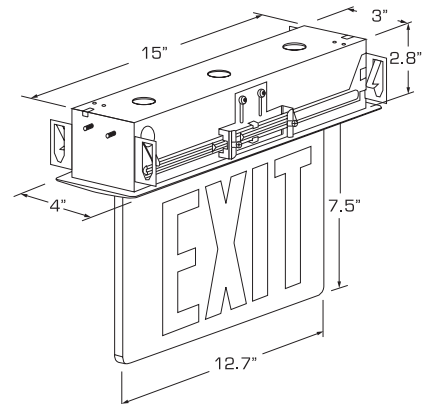
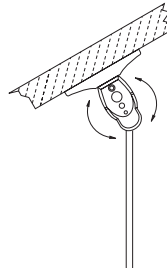
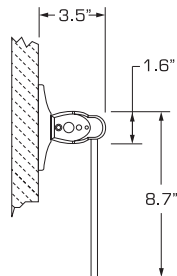
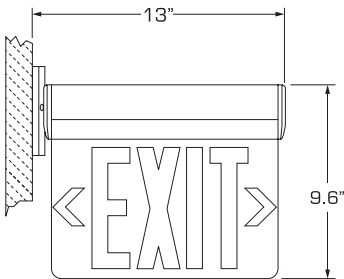
Surface Mount



Recessed Wall



Recessed Ceiling



Wet Location LED Emergency Exit

FEATURES

- Exit sign for wet location or light industrial environments
- UV stable thermoplastic grey housing with polycarbonate lens
- Long life LED lamps provide bright, even illumination
- Single face end, wall or ceiling mount
- Double face end or ceiling mount
- Dual-voltage 120 or 277V AC input
- Long-life Nickel Cadmium battery with fully automatic charger
- UL 924 Wet Location Listed

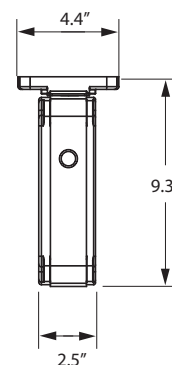
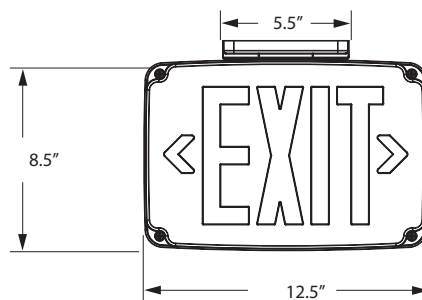


ORDERING INFORMATION

CATALOG NUMBER	DESCRIPTION
CEWSRE	Thermoplastic, Wet Location Exit, Single-Face, Red Letters, Emergency
CEWDRE	Thermoplastic, Wet Location Exit, Double-Face, Red Letters, Emergency
CEWSGE	Thermoplastic, Wet Location Exit, Single-Face, Green Letters, Emergency
CEWDGE	Thermoplastic, Wet Location Exit, Double-Face, Green Letters, Emergency

ELECTRONICS

- 90 minute emergency operation
- Test switch and LED AC-on indicator light



Single Carton Weight: 4.3 lbs.
Master Carton Quantity: 6 each

CIR

LED Indoor Remote

REMOTE



FEATURES

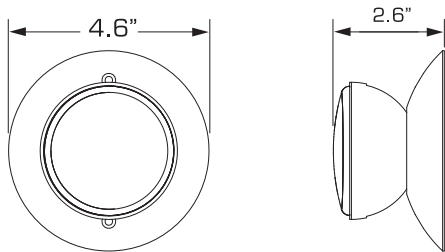
- Single or Double lamp-head remote with base-plate
- LED life-cycle of more than 10 years
- Quick installation
- Dual-voltage 120 or 277V AC input
- UL924 Damp Location Listed
- Fully adjustable lamp-heads

ORDERING INFORMATION

CATALOG NUMBER	DESCRIPTION
CIRS	LED Remote, Single Mounting Base, 3 VDC, 1 Watt
CIRD	LED Remote, Double Mounting Base, 3 VDC, 1 Watt

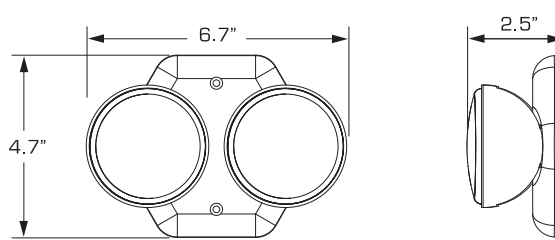
Note: Powered by the Compass Exit, Combo or Emergency Light with Remote Capacity

CIRS



Single Remote Carton Weight: 1 lbs.
Master Carton Quantity: 20 each

CIRD



Double Remote Carton Weight: 1.2 lbs.
Master Carton Quantity: 20 each

FEATURES

- Single or Double lamp-head remote with base
- LED life-cycle of more than 10 years
- Quick installation
- Fully adjustable lamp-heads
- Fully gasketed for application in wet environment



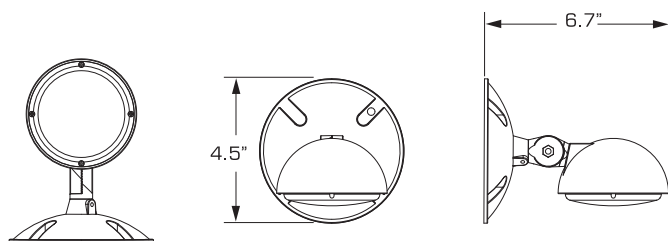
REMOTE

ORDERING INFORMATION

CATALOG NUMBER	DESCRIPTION
CORS	LED Outdoor Remote, Single, Mounting Base, 3 VDC, 1 Watt
CORD	LED Outdoor Remote, Double, Mounting Base, 3 VDC, 1 Watt

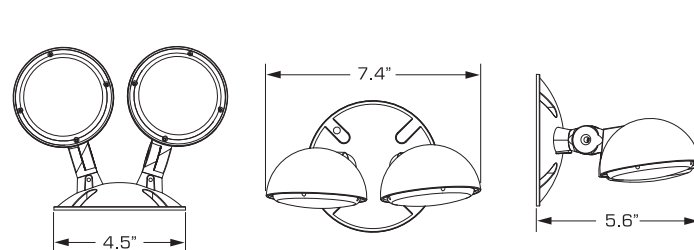
Note: Powered by Compass Exit, Combo or Emergency Light with Remote Capacity

CORS



Single Remote Carton Weight: 1 lbs.
Master Carton Quantity: 20 each

CORD



Double Remote Carton Weight: 1.2 lbs.
Master Carton Quantity: 20 each

CU2

LED Emergency Light

EMERGENCY



FEATURES

- Emergency unit for commercial applications
- UV stable thermoplastic white or black housing available
- Quick installation with fully adjustable lamp-heads
- LED Lamps with a life-cycle of more than 10 years
- Dual-voltage 120 or 277V AC input
- Remote capacity or extended runtime option
- Long-life Nickel Cadmium battery with fully automatic charger
- UL 924 Damp Location Listed

ORDERING INFORMATION

CATALOG NUMBER	DESCRIPTION
CU2	White Thermoplastic, Dual-Head LED Emergency Light , 120/277 Input, Damp Location Listed, 3 VDC, 1 Watt
CU2B	Black Thermoplastic, Dual-Head LED Emergency Light, 120/277 Input, Damp Location Listed, 3 VDC, 1 Watt
CU2RC	White Thermoplastic, Dual-Head LED Emergency Light, 120/277 Input, Damp Location Listed, Remote Capacity, 3 VDC, 1 Watt
CU2RCB	Black Thermoplastic, Dual-Head LED Emergency Light, 120/277 Input, Damp Location Listed, Remote Capacity, 3 VDC, 1 Watt

Note: Remote Capacity Unit will only power the Compass Indoor and Outdoor Remote(CIR and COR Series)

MATCHING REMOTE FIXTURES

MODEL	DESCRIPTION
CIR	LED Indoor Remote Heads
COR	LED Outdoor Remote Heads



CU2B

ACCESSORIES

MODEL	DESCRIPTION
WGLZ	Wireguard- 6.25" H X 14" W X 4" D

ELECTRONICS

- 90 minute emergency operation
- Test switch and LED AC-on indicator light

Single Carton Weight: 1 lbs.
Master Carton Quantity: 12 each



CIRS



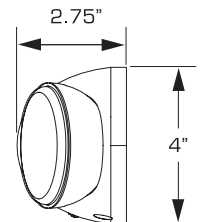
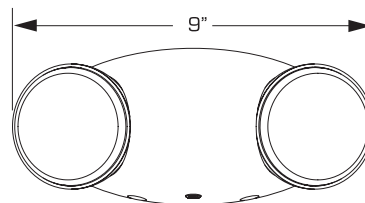
CIRD



CORD



CORS



Wet Location LED Emergency Light

FEATURES

- Emergency unit for wet location or light industrial applications
- UV stable thermoplastic grey housing available
- Quick installation with fully adjustable lamp-heads
- LED Lamps with a life-cycle of more than 10 years
- Dual-voltage 120 or 277V AC input
- Provided with water-proof test switch and AC-On indicator
- Remote capacity or extended runtime standard
- Long-life Nickel Cadmium battery with fully automatic charger
- UL 924 Wet Location Listed



FLOODLIGHTS

ORDERING INFORMATION

CATALOG NUMBER	DESCRIPTION
CU2WG	Wet Location LED emergency light, Dual-Head Fully Adjustable, Grey Finish, Remote Capacity, 120/277 Input, 1.9 watts
CU2WB	Wet Location LED emergency light, Dual-Head Fully Adjustable, Black Finish, Remote Capacity, 120/277 Input, 1.9 watts

Note: Unit will only power 1 each Compass CWRD or 2 each CWRS remotes

MATCHING REMOTE FIXTURES

MODEL	DESCRIPTION
CWRS	LED Outdoor Remote, Single
CWRD	LED Outdoor Remote, Double

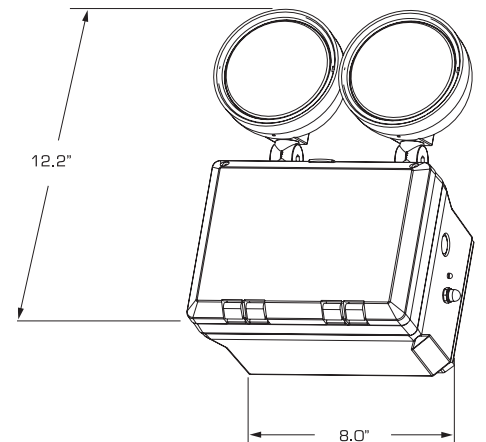
ACCESSORIES

MODEL	DESCRIPTION
WGEL	Wireguard- 8" H X 20" W X 8" D

ELECTRONICS

- 90 minute emergency operation with 1 double or 2 single remotes
- Test switch and LED AC-on indicator light

CWRS



Single Carton Weight: 7.5 lbs.
Master Carton Quantity: 4 each

