


Push Button Units and Indicator Lights

30 mm Heavy Duty, Watertight/Oiltight, Class 52

Pushbutton complete units

Features

- Octagonal Mounting Nuts
- Meets Type 1, 3, 3R, 4, 4X, 12, 13 and Automotive Standards
- Heavy Duty Rated NEMA A600/P600 Contacts
-  Positively Driven Contacts
- Positive Indexing Selectors
- Bifurcated Movable Contacts
- Attractive Chrome Plating
- Boots Not Required for Type 4
- UL Listed File # E22655
- CSA Certified File # LR6535
- Touchsafe Terminals

Application

Oil tight pilot controls and accessories are designed to provide long, trouble free service in the most demanding industrial applications. These controls are oil and dust tight and meet Type 3, 4, 4X, 12 and 13 specifications.

Rugged

Industrial control operators are durable one piece castings. Heavy duty plastic buttons resist oils and corrosion. Silver contacts carry heavy duty ratings.

Flexible

Accessories modify standard push buttons, selector switches and pilot lights. Building block construction of contact blocks makes possible many circuitry combinations.

Industrial Appearance

Pilot controls add luster to panels. Chrome plating covers exposed metal parts.

Push Button Operators


The Operator Base consists of a durable, one piece casting equipped with a heavy duty actuator with a stainless steel spring, a neoprene actuator sealing ring to prevent oil and dust from penetrating to the contact blocks, a neoprene gasket to seal operator mounting hole and a chrome plated lock nut.

Mushroom Head Push Button Operators

The Mushroom Head base construction is identical to the push button base. The actuator is molded of high impact material for either a 1 5/8 inch or 2 1/2 inch diameter molded head.

E-STOP Mushroom Head Operators according to EN 60947-5-5 Cat. No. 52BP, 52BR, 52PP, and 52PR, 2 Position, Twist-To-Release & 2 Position, Push Pull Maintained operators provided with red operating heads and 52BJK contact blocks meet the requirements of EN 60947-5-5 for Electrical Emergency Stop Device With Mechanical Latching Function (e-stop).

Contact Blocks

Contact Blocks have double break bifurcated silver contacts, with gold flashing as standard, which improves contact reliability. Contact blocks are heavy duty rated NEMA A600 and suitable for applications down to 5V/1MA solid state outputs. 52BJK offers  Positive Opening Contacts according to IEC 60947-5-1, Appendix K. Molded bodies and pushers resist arcing and tracking. All units have stainless steel springs that resist corrosion and provide strong contact pressure. Captive mounting screws speed panel assembly.

Push Pull Operators

Push Pull Operators combine two or three functions in one unit. The maintained operator has two positions, typically pull to start, push to stop. The momentary operator with three positions provides spring return from both pull and push positions. In addition, a three position push maintained, pull momentary operator is available. The actuator come is 1 3/4 inch or 2 1/2 inch diameter and is available in an illuminated version.

2 Button Maintained Operator

Maintained Push Buttons consist of two push buttons and a latching assembly. When actuated the button remains depressed and is freed only by the release operator to which it is linked. The button assembly adjusts for mounting from a 1 13/16 inch to a 2 5/8 inch center.

Transformer Type Pilot Lights

Transformer Type Pilot Lights are available with a 120, 240, 480 or 600 Volt primary (50/60 Hertz) and a separate secondary winding which supplies reduced voltage to a miniature bayonet base 6 Volt lamp. These units are suitable for applications where vibration is present and long bulb life is desirable.

Full Voltage Type Pilot Lights

Full Voltage Pilot Lights are available for 6, 12, 24 and 120 Volt AC and DC applications.

Electrical Ratings

NEMA AC Ratings 50/60Hz
NEMA A600 10 Continuous Amps

Volts	Make	Break
120	60	6
240	30	3
480	15	1.5
600	12	1.2
VA	7200	720

Ordering Information

- Accessories: [pages 17-454 – 17-457](#)
- Selector Position and Contact Operation: [page 17-452 – 17-453](#).
- Legend Plates: [page 17-465](#).
- Enclosures: [page 17-466](#).
- Technical Specifications: [page 17-467](#).

Resistor Type Pilot Lights

Resistor Type Pilot Lights are available for 240 Volt AC and DC applications. The 240 Volt pilot light is supplied with a 120 Volt lamp and a voltage dropping resistor.

LED Type Pilot Lights

LED's (light emitting diodes) can be used in pilot lights instead of incandescent bulbs because of their long life (up to 10 years), resistance to vibration and ambient sensitivity. Clustered LED options are available for standard pilot lights only. Cluster LED options are not available on Push to test Pilot Lights, Illuminated Pushbuttons, Push-pull, or Twist-to-Release Operators.

Integrated LED Module Type Pilot Lights

The integrated LED module is available for 24, 120, and 240 V. LED modules are vibration resistant and have a long life (up to 10 years). The integrated LED module is available for 24, 120, and 240 V. LED modules are vibration resistant and have a long life (up to 10 yrs.).

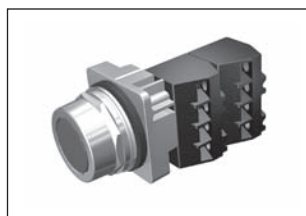
Selector Operators

Selector Operators have positive action indexing. Operators are available with either a short or long lever. The molded black lever is designed to accept a color insert. A white insert is provided as standard. Each operator is equipped with a cam to actuate plungers of contact blocks assembled behind the operator. Two, three and four position operators are available with seven different cams.

Lever color inserts are available in 8 colors.



Indicator Light



Push Button



Selector Switch



Selector Push Button

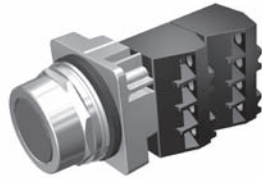
Push Button Units and Indicator Lights

30mm Water, Oil Tight & Corrosion Resistant – Class 52

Push Button

Selection Guide

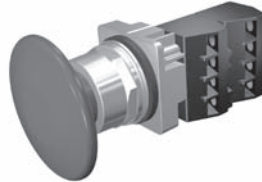
Momentary Push Button - Non-Illuminated



Flush Head



Extended Head



Large Mushroom Head 2 1/2"



Small Mushroom Head 1 3/4"

Part Number	52	a	M b	c	d	e¹
--------------------	-----------	----------	----------------------	----------	----------	----------------------

a	Code	Finish
	P	Chrome - Command 52
	B	Epoxy Coated - Black Max

b	Code	Type
	M	Momentary Push Button

c	Code	Style / Head Type
	Flush / Extended Cap ²	
	8A	Flush
	8B	Extended
	Mushroom Head Metal	
	9A	Small Mushroom Head 1 3/4" (44.5mm)
	Mushroom Head Plastic	
	9W	Small Mushroom Head 1 3/4" (44.5mm)
	9V	Large Mushroom Head 2 1/2" (63.5mm)

d	Code	Plastic	Metal
	1	Black	—
	2	Red	Red
	3	Green	Green
	4	Yellow	—
	5	Blue	—
	6	Gray	—
	7	All Color Caps	—
	8	Orange	—
C	—	Chrome	

e ¹	Code	Contact Blocks
	A	1 NO + 1 NC
	B	2 NO + 2 NC
	C	3 NO + 3 NC
	D	4 NO + 4 NC
	E	1 NC (LB)
	F	2 NO
	G	2 NC
	H	1NO (EM)
	J	1 NC
K	1 NO	

¹ For operator without contact blocks leave position e blank.

² Products available fall 2014. For current product offer please refer to the 2010 Industrial Control Catalog.

Push Button Units and Indicator Lights

30mm Water, Oil Tight & Corrosion Resistant – Class 52

• Revised •
03/01/14

Push Buttons

Selection Tables

Momentary Push Button - Non-Illuminated

Head Style	Contacts	Color	Finish		
			Chrome	Black Max	
Flush	—	Less cap	52PM8	52BM8	
		Black	52PM8A1	52BM8A1	
		Red	52PM8A2	52BM8A2	
		Green	52PM8A3	52BM8A3	
		Yellow	52PM8A4	52BM8A4	
	1 NO - 1 NC	Black	52PM8A1A	52BM8A1A	
		Red	52PM8A2A	52BM8A2A	
		Green	52PM8A3A	52BM8A3A	
	1 NO	Black	52PM8A1K	52BM8A1K	
		Red	52PM8A2K	52BM8A2K	
		Green	52PM8A3K	52BM8A3K	
	1 NC	Red	52PM8A2J	52BM8A2J	
	Extended	—	Black	52PM8B1	52BM8B1
			Red	52PM8B2	52BM8B2
			Green	52PM8B3	52BM8B3
1 NO		Black	52PM8B1K	52BM8B1K	
		Red	52PM8B2K	52BM8B2K	
1 NC		Red	52PM8B2J	52BM8B2J	
Mushroom Head Plastic Ø 1 3/4"	—	Less cap	52PM9	52BM9	
		Red	52PM9W2	52BM9W2	
	1 NO	Green	52PM9W3K	52BM9W3K	
	1 NO - 1 NC	Black	52PM9W1A	52BM9W1A	
		Red	52PM9W2A	52BM9W2A	
	1 NO - 1 NC	Green	52PM9W3A	52BM9W3A	
	Mushroom Head Plastic Ø 2 1/2"	—	Red	52PM9V2	52BM9V2
Black			52PM9V1A	52BM9V1A	
1 NO - 1 NC		Red	52PM9V2A	52BM9V2A	
		Green	52PM9V3A	52BM9V3A	

Readily available items are in **bold**.
This is a small representation of stocked items.

Pilot Devices

17 CONTROL PRODUCTS

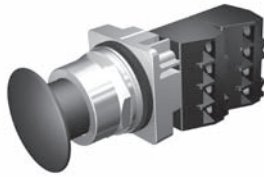
Push Button Units and Indicator Lights

30mm Water, Oil Tight & Corrosion Resistant – Class 52

Non-Illuminated Push Pull

Selection Guide

2 & 3 Position Push-Pull Mushroom Head Devices - Non-Illuminated



Mushroom Head Metal Ø 1 3/4"



Mushroom Head Plastic Ø 2 1/2"



Mushroom Head Plastic Ø 1 3/4"

Part Number	52	<u> </u>	P	<u> </u>	<u> </u>	<u> </u>	<u> </u>
		a	b	c	d	e	f³

a	Code	Finish
	P	Chrome-Command 52
	B	Epoxy Coated-Black Max

b	Code	Type
	P	Push Pull

c	Code	Function
	2	2 positions - maintained ¹
	3	3 positions - momentary in - momentary out
	7	3 positions - maintained in - momentary out

d	Code	Style
	A	Small metal 1-3/4" (44.5 mm)
	W	Small plastic 1-3/4" (44.5 mm)
	V	Large plastic 2-1/2" (63.5 mm)

e	Code	Color	
		Plastic	Metal
	1	Black	—
	2	Red ¹	Red ¹
	3	Green	Green
	4	Yellow	—
	5	Blue	—
	6	Gray	—
	8	Orange	—
	C	—	Chrome
		No Operating Head	
	Z	No head	

f³	Code	Contact Blocks
		2 Position
	A	1 NO + 1 NC ¹
	B	2 NO + 2 NC ¹
	C	3 NO + 3 NC ¹
	D	4 NO + 4 NC ¹
	E	1 NC (LB)
	F	2 NO
	G	2 NC ¹
	H	1 NO (EM)
	J	1 NC ¹
	K	1 NO
	Q	1 NO - 1 NC (ELB)
		3 Position
	U	1 NO - 1 NC extra late break ²

¹ EMERGENCY-STOP control devices according to IEC 60947-5-5 when provided with red operating head and positively driven NC contact blocks. Positive opening contacts according to IEC 60947-5-1, Appendix K.

² Blocks cannot be interchanged (stop-start circuit - pull to start, push to stop).

³ For operator without contact blocks leave position f blank.

Push Button Units and Indicator Lights

30mm Water, Oil Tight & Corrosion Resistant – Class 52

Non-Illuminated Push Pull

Selection Tables

2 & 3 Position Push-Pull Mushroom Head Devices - Non-Illuminated

		2 pos - maintained					
		Metal Ø 1 3/4"		Plastic Ø 1 3/4"		Plastic Ø 2 1/2"	
Contacts	Color	Chrome	Black Max	Chrome	Black Max	Chrome	Black Max
—	Black	—	—	52PP2W1	52BP2W1	52PP2V1	2BP2V1
	Red	52PP2A2	52BP2A2	52PP2W2	52BP2W2	52PP2V2	52BP2V2
	Green	52PP2A3	52BP2A3	52PP2W3	52BP2W3	52PP2V3	52BP2V3
	Yellow	—	—	52PP2W4	52BP2W4	52PP2V4	52BP2V4
1 NO - 1 NC	Red	52PP2A2A¹	52BP2A2A¹	52PP2W2A¹	52BP2W2A¹	52PP2V2A¹	52BP2V2A ¹
	Green	52PP2A3A	52BP2A3A	52PP2W3A	52BP2W3A	52PP2V3A	—
	Yellow	—	—	52PP2W4A	52BP2W4A	52BP2V4A	52BP2V4A
	Chrome	52PP2ACA	52BP2ACA	—	—	—	—

		3 pos - momentary in - momentary out					
		Metal Ø 1 3/4"		Plastic Ø 1 3/4"		Plastic Ø 2 1/2"	
Contacts	Color	Chrome	Black Max	Chrome	Black Max	Chrome	Black Max
—	Black	—	—	52PP3W1	52BP3W1	52PP3V1	52BP3V1
	Red	52PP3A2	52BP3A2	52PP3W2	52BP3W2	52PP3V2	52BP3V2
	Green	52PP3A3	52BP3A3	52PP3W3	52BP3W3	52PP3V3	2BP3V3
	Chrome	52PP3AC	52BP3AC	—	—	—	—
1 NO - 1 NCELB	Red	52PP3A2U	52BP3A2U	52PP3W2U	52BP3W2U	52PP3V2U	52BP3V2U
	Green	52PP3A3U	52BP3A3U	52PP3W3U	52BP3W3U	52PP3V3U	52BP3V3U

		3 pos - maintained in - momentary out					
		Metal Ø 1 3/4"		Plastic Ø 1 3/4"		Plastic Ø 2 1/2"	
Contacts	Color	Chrome	Black Max	Chrome	Black Max	Chrome	Black Max
—	Black	—	—	52PP7W1	52BP7W1	52PP7V1	52BP7V1
	Red	52PP7A2	52BP7A2	52PP7W2	52BP7W2	52PP7V2	52BP7V2
	Green	52PP7A3	52BP7A3	52PP7W3	52BP7W3	52PP7V3	52BP7V3
	Chrome	52PP7AC	52BP7AC	—	—	—	—
1 NO - 1 NCELB	Red	52PP7A2U1	52BP7A2U	52PP7W2U	52BP7W2U	52PP7V2U	52BP7V2U
	Green	52PP7A3U	52BP7A3U	52PP7W3U	52BP7W3U	52PP7V3U	52BP7V3U

Readily available items are in **bold**.
This is a small representation of stocked items.

¹ EMERGENCY-STOP control devices according to IEC 60947-5-5

Pilot Devices

17 CONTROL PRODUCTS

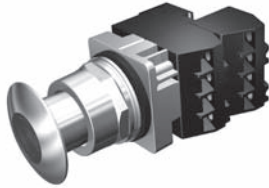
Push Button Units and Indicator Lights

30mm Water, Oil Tight & Corrosion Resistant – Class 52

Illuminated Push Pull & Push Button

Selection Guide

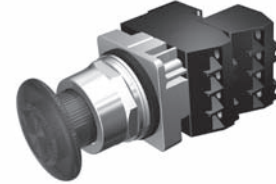
2 & 3 Position Push-Pull Mushroom Head Devices - Illuminated



Mushroom Head Metal Ø 1 3/4"



Mushroom Head Plastic Ø 2 1/2"



Mushroom Head Plastic Ø 1 3/4"

Part Number	52	<u> </u> a	<u> </u> P b	<u> </u> c	<u> </u> d	<u> </u> e	<u> </u> f	<u> </u> g
-------------	----	------------------	-----------------------	------------------	------------------	------------------	------------------	------------------

a	Code	Finish
	P	Chrome-Command 52
	B	Epoxy Coated-Black Max

b	Code	Type
	P	Push Pull Operator

c	Code	Function
	2	2 positions - maintained ¹
	3	3 positions - momentary in - momentary out ²
	7	3 positions - maintained in - momentary out ²

d	Code	Operation	
		Full Voltage ³ (AC/DC)	
		Incandescent	LED ⁴
	B	6-8V	6V
	C	12-13V	—
	D	24-28V	24-28V
	E	120V	120V
	F	—	240V
		Transformer ³	
	G	120V AC	
	H	240V AC	
	J	480V AC	
	K	600V AC	

e	Code	Style / Color
		Mushroom Head Metal Ø 1 3/4" (44.5mm)
	2	Red ¹
	3	Green
	5	Blue
	9	Amber
	A	Clear
	B	White
		Mushroom Head Plastic Ø 1 3/4" (44.5 mm)
	R	Red ¹
	S	Green
	T	Amber
		Mushroom Head Plastic Ø 2 1/2" (63.5mm)
	D	Red ¹
	E	Green
	F	Amber
		No Head (full voltage & transformer only)
	Z	No head

f	Code	Contact Blocks
		2 Position
	A	1 NO + 1 NC ¹
	B	2 NO - 2 NC ¹
	F	2 NO
	G	2 NC ¹
	J	1 NC ¹
	K	1 NO
	Q	1 NO - 1 NC (ELB)
		3 Position
	U	1 NO - 1 NC extra late break ²

g	Code	Bulb Type
	Blank	Incandescent
	B	LED
	Y	Super-Bright LED ⁵

¹ EMERGENCY-STOP control devices according to IEC 60947-5-5 when provided with red operating head and positively driven NC contact blocks.

Positive opening contacts according to IEC 60947-5-1, Appendix K,

² Blocks cannot be interchanged (stop-start circuit - pull to start, push to stop).

³ Default bulb type is incandescent. For LED options, append field g. LED option not available on units sold "no head".

⁴ LED voltages apply to table g option code B and Y.

6V and 120V are currently AC only. Replaced by AC/DC rated versions end of 2014.

⁵ Not available in 240V.

Push Button Units and Indicator Lights

30mm Water, Oil Tight & Corrosion Resistant – Class 52

Illuminated Push Pull

• Revised •
03/01/14

Selection Tables

Type	Lamp Type	Voltage	Color	Contacts
Full Voltage (AC/DC)	LED	24V	Red	1 NO - 1 NC
			Green	1 NO - 1 NC
	Incandescent	24V	Red	1 NO - 1 NC
			Green	1 NO - 1 NC
		120V	Red	1 NO - 1 NC
			—	—
Transformer (AC)	LED	120V	Red	1 NO - 1 NC
			Green	1 NO - 1 NC
	Incandescent	120V	Red	1 NO - 1 NC
			Green	1 NO - 1 NC

Operator Type			
2 pos - maintained			
Metal Ø 1 3/4"		Plastic Ø 1 3/4"	
Chrome	Black Max	Chrome	Black Max
52PP2D2AB¹	52BP2D2AB¹	52PP2DRAB¹	52BP2DRAB¹
52PP2D3AB	52BP2D3AB	52PP2DSAB	52BP2DSAB
52PP2D2A¹	52BP2D2A¹	52PP2DRA¹	52BP2DRA¹
52PP2D3A	52BP2D3A	52PP2DSA	52BP2DSA
52PP2E2A ¹	52BP2E2A ¹	52PP2ERA ¹	52BP2ERA ¹
52PP2E2	52BP2E2	52PP2ER	52BP2ER
52PP2G2AB¹	52BP2G2AB¹	52PP2GRAB¹	52BP2GRAB¹
52PP2G3AB	52BP2G3AB	52PP2GSAB	52BP2GSAB
52PP2G2A¹	52BP2G2A¹	52PP2GRA¹	52BP2GRA¹
52PP2G3A	52BP2G3A	52PP2GSA	52BP2GSA

Type	Lamp Type	Voltage	Color	Contacts
Full Voltage (AC/DC)	LED	24V	Green	1 NO - 1 NCELB
			Green	1 NO - 1 NCELB
	Incandescent	24V	Red	1 NO - 1 NCELB
			Red	—
		120V	Red	—
			—	—
Transformer (AC)	LED	120V	Red	1 NO - 1 NCELB
			Green	1 NO - 1 NCELB
	Incandescent	120V	Red	1 NO - 1 NCELB
			Green	1 NO - 1 NCELB

Operator Type			
3 pos - momentary in - momentary out			
Metal Ø 1 3/4"		Plastic Ø 1 3/4"	
Chrome	Black Max	Chrome	Black Max
52PP3D3UB	52BP3D3UB	52PP3DRUB	52BP3DRUB
52PP3D3U	52BP3D3U	52PP3DSU	52BP3DSU
52PP3D2U	52BP3D2U	52PP3DRU	52BP3DRU
52PP3E2	52BP3E2	52PP3ER	52BP3ER
52PP3G2UB	52BP3G2UB	52PP3GRUB	52BP3GRUB
52PP3G3UB	52BP3G3UB	52PP3GSUB	52BP3GSUB
52PP3G2U	52BP3G2U	52PP3GRU	52BP3GRU
52PP3G3U	52BP3G3U	52PP3GRU	52BP3GRU

Type	Lamp Type	Voltage	Color	Contacts
Full Voltage (AC/DC)	LED	24V	Green	1 NO - 1 NCELB
			Green	1 NO - 1 NCELB
	Incandescent	24V	Red	1 NO - 1 NCELB
			Red	—
		120V	Red	—
			—	—
Transformer (AC)	LED	120V	Red	1 NO - 1 NCELB
			Green	1 NO - 1 NCELB
	Incandescent	120V	Red	1 NO - 1 NCELB
			Green	1 NO - 1 NCELB

Operator Type			
3 pos - maintained in - momentary out			
Metal Ø 1 3/4"		Plastic Ø 1 3/4"	
Chrome	Black Max	Chrome	Black Max
52PP7D3UB	52BP7D3UB	52PP7DSUB	52BP7DSUB
52PP7D3U	52BP7D3U	52PP7DSU	52BP7DSU
52PP7D2U	52BP7D2U	52PP7DRU	52BP7DRU
52PP7E2	52BP7E2	52PP7ER	52BP7ER
52PP7G2UB	52BP7G2UB	52PP7GRUB	52BP7GRUB
52PP7G3UB	52BP7G3UB	52PP7GSUB	52BP7GSUB
52PP7G2U	52BP7G2U	52PP7GRU	52BP7GRU
52PP7G3U	52BP7G3U	52PP7GRU	52BP7GRU

Readily available items are in **bold**.
This is a small representation of stocked items.

¹ EMERGENCY-STOP control devices according to IEC 60947-5-5

Pilot Devices

17 CONTROL PRODUCTS

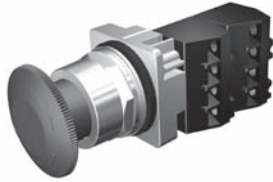
Push Button Units and Indicator Lights

30mm Water, Oil Tight & Corrosion Resistant – Class 52

Non-Illuminated Twist-to-Release

Selection Guide

2 Position Twist-to-Release Devices Mushroom Head - Non-Illuminated



Plastic 1 3/4" Mushroom Head - Chrome



Plastic 1 3/4" Mushroom Head - Black Max

Part Number	52	<u> </u> a	R b	8 c	W d	<u> </u> e	<u> </u> f ²
--------------------	-----------	------------------	---------------	---------------	---------------	------------------	-------------------------------

Finish	Function	Style	Color	Contacts	Part Number
Chrome	2 Position Twist-to-Release	Plastic 1 3/4" Mushroom Head	Red	1 NO - 1 NC	52PR8W2A
Black Max	2 Position Twist-to-Release	Plastic 1 3/4" Mushroom Head	Red	1 NO - 1 NC	52BR8W2A
Chrome	2 Position Twist-to-Release	Plastic 1 3/4" Mushroom Head	Red	None	52PR8W2

Readily available items are in **bold**.
This is a small representation of stocked items.

a	Code	Finish
	P	Chrome-Command 52
	B	Epoxy Coated-Black Max
b	Code	Function
	R	2 Position Twist-to-Release, Maintained ¹
c	Code	Style
	8	Plastic 1 3/4" Mushroom Head
d	Code	Lamp Type
	W	Non-Illuminated

e	Code	Color
	2	Red ¹
	3	Green
	4	Yellow
	Z	No head
f ²	Code	Contact Blocks
	A	1 NO + 1 NC ¹
	B	2 NO + 2 NC ¹
	C	3 NO + 3 NC ¹
	D	4 NO + 4 NC ¹
	E	1 NC (LB)
	F	2 NO
	G	2NC ¹
	H	1NO (EM)
	J	1 NC ¹
	K	1 NO

¹ EMERGENCY-STOP control devices according to IEC 60947-5-5 when provided with red operating head and positively driven NC contact blocks.
Positive opening contacts according to IEC 60947-5-1, Appendix K.

² For operator without contact blocks leave position f blank.

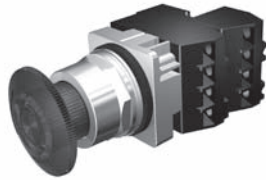
Push Button Units and Indicator Lights

30mm Water, Oil Tight & Corrosion Resistant – Class 52

Illuminated Twist-to-Release

Selection Guide

2 Position Twist-to-Release Mushroom Head Devices - Illuminated



Plastic 1 3/4" Mushroom Head - Chrome



Plastic 1 3/4" Mushroom Head - Black Max

Part Number	52	a	R	8	d	e	f	g
-------------	-----------	----------	----------	----------	----------	----------	----------	----------

Finish	Style	Voltage	Bulb Type	Color	Contacts	Part Number
Chrome	Plastic 1 3/4" Mushroom Head	24V	LED	Red	1 NO - 1 NC	52PR8DRAB
Chrome	Plastic 1 3/4" Mushroom Head	120V	Incandescent	Red	1 NO - 1 NC	52PR8ERA
Chrome	Plastic 1 3/4" Mushroom Head	120V	LED	Red	1 NO - 1 NC	52PR8GRAB

Readily available items are in **bold**.
This is a small representation of stocked items.

a	Code	Finish
	P	Chrome-Command 52
	B	Epoxy Coated-Black Max

b	Code	Function
	R	2 Position Twist-to-Release, Maintained

c	Code	Style
	8	Plastic 1 3/4" Mushroom Head

d	Code	Operation	
		Full Voltage ² (AC/DC)	
		Incandescent	LED ³
	B	6-8V	6V
	C	12-13V	—
	D	24-28V	24-28V
	E	120V	120V
	F	—	240V
		Transformer ²	
	G	120V AC	
	H	240V AC	
	J	480V AC	
	K	600V AC	

e	Code	Color
	R	Red ¹
	S	Green
	T	Amber
	Z	No head

f	Code	Contact Blocks
	A	1 NO + 1 NC ¹
	B	2 NO + 2 NC ¹
	C	3 NO + 3 NC ¹
	D	4 NO + 4 NC ¹
	E	1 NC (LB)
	F	2 NO
	G	2NC ¹
	H	1NO (EM)
	J	1 NC ¹
K	1 NO	

g	Code	Bulb Type
	Blank	Incandescent
	B	LED
	Y	Super-Bright LED ⁴

1 EMERGENCY-STOP control devices according to IEC 60947-5-5 when provided with red operating head and positively driven NC contact blocks. Positive opening contacts according to IEC 60947-5-1, Appendix K, Molded bodies.

2 Default bulb type is incandescent. For LED options, append field g. LED option not available on units sold "no head."

3 LED voltages apply to table g option code B and Y. 6V and 120V are currently AC only. Replaced by AC/DC rated versions end of 2014.

4 Not available in 240V.

Push Button Units and Indicator Lights

30mm Water, Oil Tight & Corrosion Resistant – Class 52

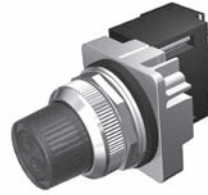
Indicator Light

Selection Guide

Indicator Light



Plastic Lens



Glass Lens

Part Number	52	<u> </u> a	<u> </u> L b	<u> </u> c	<u> </u> d	<u> </u> e	<u> </u> f
--------------------	-----------	-------------------------	-----------------------------------	-------------------------	-------------------------	-------------------------	-------------------------

a	Code	Finish
	P	Chrome-Command 52
	B	Epoxy Coated-Black Max

b	Code	Type
	L	Indicator Light

c	Code	Style
	4	Plastic Lens
	5	Glass Lens

d	Code	Operation	
		Full Voltage¹ (AC/DC)	
		Incandescent	LED²
	B	6-8V	6V
	C	12-13V	—
	D	24-28V	24-28V
	E	120V	120V
	F	—	240V
		Transformer¹	
	G	120V AC	
	H	240V AC	
	J	480V AC	
	K	600V AC	

e	Code	Color
	2	Red
	3	Green
	5	Blue
	7	All Colors
	9	Amber
	A	Clear
	B	White
	N	No Lens

f	Code	Bulb Type
	Blank	Incandescent
	XB	LED
	XY	Super-Bright LED ³

¹ Default bulb type is incandescent. For LED options, append field f. LED option not available on units sold "No Lens".

² LED voltages apply to table f option code XB and XY. 6V, 24V (Super Bright only) and 120V are currently AC only. Replaced by AC/DC rated versions end of 2014.

³ Not available in 240V.

Push Button Units and Indicator Lights

30mm Water, Oil Tight & Corrosion Resistant – Class 52

• Revised •
03/01/14

Indicator Lights

Selection Tables

Indicator Light

Type	Lamp Type	Voltage	Color	Plastic Lens		
				Chrome	Black Max	
Full Voltage (AC/DC)	LED	24V	Red	52PL4D2XB	52BL4D2XB	
			Green	52PL4D3XB	52BL4D3XB	
			Blue	52PL4D5XB	52BL4D5XB	
			Amber	52PL4D9XB	52BL4D9XB	
			White	52PL4DBXB	52BL4DBXB	
		120V	Red	52PL4E2XB	52BL4E2XB	
			Green	52PL4E3XB	52BL4E3XB	
			Amber	52PL4E9XB	52BL4E9XB	
	Incandescent	24V	Clear	52PL4EAXB	52BL4EAXB	
			White	52PL4EBXB	52BL4EBXB	
			Red	52PL4D2	52BL4D2	
			Green	52PL4D3	52BL4D3	
			Blue	52PL4D5	52BL4D5	
		120V	Amber	52PL4D9	52BL4D9	
			White	52PL4DB	52BL4DB	
			No Lens	52PL4DN	52BL4DN	
Transformer (AC)	LED	120V	Red	52PL4G2XB	52BL4G2XB	
			Green	52PL4G3XB	52BL4G3XB	
			Amber	52PL4G9XB	52BL4G9XB	
			White	52PL4GBXB	52BL4GBXB	
		480V	Red	52PL4J2XB	52BL4J2XB	
			Green	52PL4J3XB	52BL4J3XB	
			White	52PL4JBXB	52BL4JBXB	
			No Lens	52PL4GN	52BL4GN	
	Incandescent	120V	Red	52PL4G2	52BL4G2	
			Green	52PL4G3	52BL4G3	
			Amber	52PL4G9	52BL4G9	
			White	52PL4GB	52BL4GB	
		240V	Red	52PL4H2	52BL4H2	
			Green	52PL4H3	52BL4H3	
			480V	Red	52PL4J2	52BL4J2
				Green	52PL4J3	52BL4J3
Amber	52PL4J9	52BL4J9				
No Lens	52PL4GN	52BL4GN				

Readily available items are in **bold**.
This is a small representation of stocked items.

Pilot Devices

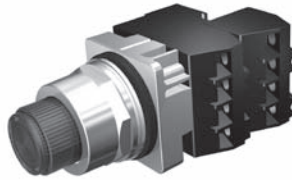
17 CONTROL PRODUCTS

Push Button Units and Indicator Lights

30mm Water, Oil Tight & Corrosion Resistant – Class 52 *Illuminated Push Button & Push-to-Test*

Selection Guide

Push Button & Push-to-Test - Illuminated



Extended Lens



Flush Lens

Part Number	52	<u> </u>	<u> </u>	<u> </u>	<u> </u>	<u> </u>	<u> </u>	<u> </u>
		a	T	c	d	e	f	g

a	Code	Finish
	P	Chrome-Command 52
	B	Epoxy Coated-Black Max

b	Code	Function
	T	Illuminated Push Button / Push-to-Test ¹

c	Code	Style
	6	Extended Lens
	8	Flush Lens ²

d	Code	Operation	
		Full Voltage ³ (AC/DC)	
		Incandescent	LED ⁴
	B	6-8V	6V
	C	12-13V	—
	D	24-28V	24-28V
	E	120V	120V
	F	—	240V
		Transformer ³	
	G	120V AC	
	H	240V AC	
	J	480V AC	
	K	600V AC	

e	Code	Color
	2	Red
	3	Green
	5	Blue
	7	All Colors
	9	Amber
	A	Clear
	B	White
	N	No Lens

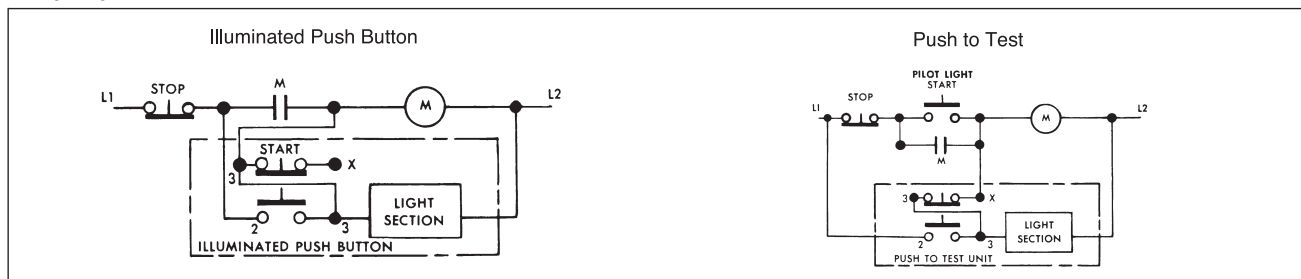
f	Code	Contact Blocks
	A	1 NO - 1 NC
	B	2 NO + 2 NC
	C	3 NO + 3 NC
	D	4 NO + 4 NC
	E	1 NC (LB)
	F	2 NO
	G	2 NC
	H	1NO (EM)
	J	1 NC
	K	1 NO

g	Code	Bulb Type
	Blank	Incandescent
	B	LED
	Y	Super-Bright LED ⁵

1 For push-to-test functionality, wire according to wiring diagram below.
2 Products available fall 2014.

3 Default bulb type is incandescent. For LED options, append field g.
LED option not available on units sold "No Lens".
4 LED voltages apply to table g option code B and Y.
6V and 120V are currently AC only. Replaced by AC/DC rated versions end of 2014.
5 Not available in 240V.

Wiring Diagrams



Push Button Units and Indicator Lights

30mm Water, Oil Tight & Corrosion Resistant – Class 52 *Illuminated Push Buttons & Push-to-Test*

Selection Tables

Push Button & Push-to-Test - Illuminated

Type	Lamp Type	Voltage	Color	Contacts	Extended Lens	
					Chrome	Black Max
Full Voltage (AC/DC)	LED	24V	Red	1 NO - 1 NC	52PT6D2AB	52BT6D2AB
			Green	1 NO - 1 NC	52PT6D3AB	52BT6D3AB
			Blue	1 NO - 1 NC	52PT6D5AB	52BT6D5AB
			Amber	1 NO - 1 NC	52PT6D9AB	52BT6D9AB
			White	1 NO - 1 NC	52PT6DBAB	52BT6DBAB
	Incandescent	24V	Red	1 NO - 1 NC	52PT6E2AB	52BT6E2AB
			Green	1 NO - 1 NC	52PT6E3AB	52BT6E3AB
			Red	1 NO - 1 NC	52PT6D2A	52BT6D2A
			Green	1 NO - 1 NC	52PT6D3A	52BT6D3A
			Blue	1 NO - 1 NC	52PT6D5A	52BT6D5A
Transformer (AC)	LED	120V	Red	1 NO - 1 NC	52PT6G2AB	52BT6G2AB
			Green	1 NO - 1 NC	52PT6G3AB	52BT6G3AB
			Amber	1 NO - 1 NC	52PT6G9AB	52BT6G9AB
			White	1 NO - 1 NC	52PT6GBAB	52BT6GBAB
			Red	1 NO - 1 NC	52PT6H2AB	52BT6H2AB
	Incandescent	120V	Green	1 NO - 1 NC	52PT6H3AB	52BT6H3AB
			Red	1 NO - 1 NC	52PT6G2A	52BT6G2A
			Green	1 NO - 1 NC	52PT6G3A	52BT6G3A
			Amber	1 NO - 1 NC	52PT6G9A	52BT6G9A
			White	1 NO - 1 NC	52PT6GBA	52BT6GBA
Incandescent	240V	No Lens	1 NO - 1 NC	52PT6GNA	52BT6GNA	
		Green	1 NO - 1 NC	52PT6H3A	52BT6H3A	
		Clear	1 NO - 1 NC	52PT6JAA	52BT6JAA	

Readily available items are in **bold**.
This is a small representation of stocked items.

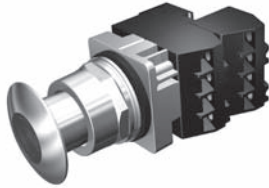
Push Button Units and Indicator Lights

30mm Water, Oil Tight & Corrosion Resistant – Class 52

Illuminated Push Button

Selection Guide

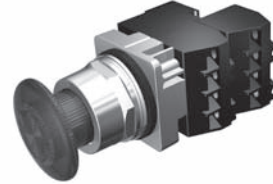
Push Button Mushroom Head Devices – Illuminated⁴



Mushroom Head Metal Ø 1 3/4"



Mushroom Head Plastic Ø 2 1/2"



Mushroom Head Plastic Ø 1 3/4"

Part Number	52	<u> </u> a	<u> </u> T	<u> </u> 9	<u> </u> d	<u> </u> e	<u> </u> f	<u> </u> g
-------------	-----------	-------------------------	-------------------------	-------------------------	-------------------------	-------------------------	-------------------------	-------------------------

a	Code	Finish
	P	Chrome-Command 52
	B	Epoxy Coated-Black Max

b	Code	Type
	T	Push Button Operator

c	Code	Function
	9	2 positions – momentary in

d	Code	Operation
		Full Voltage² (AC/DC)
		Incandescent LED³
	B	6-8V 6V
	C	12-13V —
	D	24-28V 24-28V
	E	120V 120V
	F	— 240V
		Transformer²
	G	120V AC
	H	240V AC
	J	480V AC
	K	600V AC

e	Code	Style / Color
		Mushroom Head Metal Ø 1 3/4" (44.5mm)
	2	Red ¹
	3	Green
	5	Blue
	9	Amber
	A	Clear
	B	White
		Mushroom Head Plastic Ø 1 3/4" (44.5 mm)
	R	Red
	S	Green
	T	Amber
		Mushroom Head Plastic Ø 2 1/2" (63.5mm)
	D	Red ¹
	E	Green
	F	Amber
		No Head (full voltage & transformer only)
	Z	No head

f	Code	Contact Blocks
	A	1 NO + 1 NC
	B	2 NO + 2 NC
	C	3 NO + 3 NC
	D	4 NO + 4 NC
	E	1 NC (LB)
	F	2 NO
	G	2 NC
	H	1NO (EM)
	J	1 NC
	K	1 NO

g	Code	Bulb Type
	Blank	Incandescent
	B	LED
	Y	Super-Bright LED ⁵

1 Positive opening according to IEC 60947-5-1, Appendix K.
 2 Default bulb type is incandescent. For LED options, append field g. LED option not available on units sold "no head".
 3 LED voltages apply to table g option code B and Y. 6V and 120V are currently AC only. Replaced by AC/DC rated versions end of 2014.
 4 Products available fall 2014.
 5 Not available in 240V.

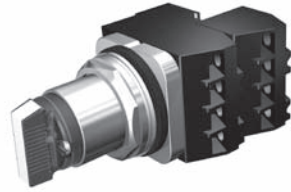
Push Button Units and Indicator Lights

30mm Water, Oil Tight & Corrosion Resistant – Class 52

Illuminated Selector Switches

Selection Guide

Selector Switches – Illuminated



Short Lever – Chrome



Short Lever – Black Max

Part Number	52	S	7							
		a	b	c	d	e	f	g	h	i

Finish	Style	Cam Type	Function	Color	Contacts	Part Number
Chrome	Maintained	2 Position: CAM A	24-28V AC/DC	No Insert	None	52SA7ADN
Chrome	Maintained	2 Position: CAM A	120V AC (Transformer)	No Insert	None	52SA7AGN
Chrome	Maintained	3 Position: CAM C	120V AC	No Insert	None	52SA7CGN

Readily available items are in **bold**.
This is a small representation of stocked items.

a	Code	Type
	S	Selector Switch

b	Code	Finish
	A	Chrome - Command 52
	X	Epoxy Coated - Black Max

c	Code	Style
	7	Maintained

d	Code	Function
	A	2 Position: CAM A
	B	3 Position: CAM B
	C	3 Position: CAM C

e	Code	Operation	
		Full Voltage ¹ (AC/DC)	
		Incandescent	LED ²
	B	6-8V	6V
	C	12-13V	—
	D	24-28V	24-28V
	E	120V	120V
	F	—	240V
		Transformer ¹	
	G	120V AC	
	H	240V AC	
	J	480V AC	
	K	600V AC	

¹ Default bulb type is incandescent. For LED options, append field i.
LED option not available on units sold "no head".

² LED voltages apply to table i option code B and Y.
6V and 120V are currently AC only. Replaced by AC/DC rated versions end of 2014.

³ Not available in 240V.

f	Code	Color
	2	Red
	3	Green
	5	Blue
	9	Amber
	A	Clear
	N	No Insert

g	Code	Contact Blocks
	A	1 NO - 1 NC
	E	1 NC (LB)
	H	1 NO (EM)
	J	1 NC
	K	1 NO

h	Code	Contact Quantity & Location	
		Left	Right
	0	1	—
	1	—	1
	2	1	1
	3	2	—
	4	—	2
	5	2	1
	6	1	2
	7	2	2
	8	3	—
	9	—	3

i	Code	Bulb Type
	Blank	Incandescent
	B	LED
	Y	Super-Bright LED ³

For CAM selection see page 17-452.

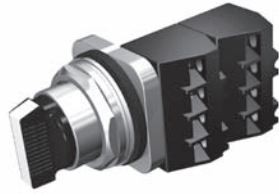
Push Button Units and Indicator Lights

30mm Water, Oil Tight & Corrosion Resistant – Class 52

Non-Illuminated Selector Switch

Selection Guide

Selector Switch – Non-Illuminated



Short Lever



Long Lever

Part Number	52	S	2						
		a	b	c	d	e	f	g²	h²

a	Code	Type
	S	Selector Switch

b	Code	Finish
	A	Chrome - Short Lever
	B	Chrome - Long Lever
	X	BlackMax - Short Lever
	W	BlackMax - Long Lever

c	Code	Style
	2	Non-Illuminated

d	Code	Function
	A	2 Position: CAM A
	B	3 Position: CAM B
	C	3 Position: CAM C ¹
	D	3 Position: CAM D
	E	3 Position: CAM E
	G	3 Position: CAM G
	H	4 Position: CAM H

e	Code	Type	
		2 Position	
		Maintained	Spring Return
	A	All	—
	C	Left	Right
		3 Position	
		Maintained	Spring Return
	A	All	—
	B	Center, Right	Left
	C	Center, Left	Right
	D	Center	Left, Right
		4 Position	
		Maintained Position	Spring Return
	A	All	—

f	Code	Color
	2	Red
	3	Green
	4	Yellow
	5	Blue
	6	Gray
	8	Orange
	B	White
N	No Insert (Black)	

g²	Code	Contact Blocks
	A	1 NO - 1 NC
	E	1 NC (LB)
	H	1 NO (EM)
	J	1 NC
	K	1 NO

h²	Code	Contact Quantity & Location	
		Left	Right
	0	1	—
	1	—	1
	2	1	1
	3	2	—
	4	—	2
	5	2	1
	6	1	2
	7	2	2
	8	3	—
9	—	3	

¹ C CAM on spring return selectors is limited to 4 contact blocks.
For CAM selection see page 17-452.

² For operator without contact blocks leave positions g and h blank.

Push Button Units and Indicator Lights

30mm Water, Oil Tight & Corrosion Resistant – Class 52

Non-Illuminated Selector Switch

• Revised •
03/01/14

Selector Switch, Non-Illuminated¹⁾

Contact Type	Contact	Switch Position		Type M = Maintained S = Spring Return	Chrome		Black Max	
		Left	Right		Short Lever	Long Lever	Short Lever	Long Lever
					2-Position Operator			
No Contacts	—	—	—	M M	52SA2AAB	52SB2AAB	52SX2AAB	52SW2AAB
				M<---S	52SA2ACB	52SB2ACB	52SX2ACB	52SW2ACB
1 N.O.	A	O	X	M M	52SA2AABK1	52SB2AABK1	52SX2AABK1	52SW2AABK1
				M<---S	52SA2ACBK1	52SB2ACBK1	52SX2ACBK1	52SW2ACBK1
1 N.O.	A	O	X	M M	52SA2AABA1	52SB2AABA1	52SX2AABA1	52SW2AABA1
1 N.C.	B	X	O	M<---S	52SA2ACBA1	52SB2ACBA1	52SX2ACBA1	52SW2ACBA1

Contact Type	Contact	Switch Position			Type M = Maintained S = Spring Return	Chrome		Black Max	
		Left	Center	Right		Short Lever	Long Lever	Short Lever	Long Lever
						3-Position Operator			
No Contacts	—	—	—	—	M M M	52SA2CAB	52SB2CAB	52SX2CAB	52SW2CAB
					M M M	52SA2BAB	52SB2BAB	52SX2BAB	52SW2BAB
					S--->M M	52SA2BBB	52SB2BBB	52SX2BBB	52SW2BBB
					M M<---S	52SA2BCB	52SB2BCB	52SX2BCB	52SW2BCB
					S--->M<---S	52SA2BDB	52SB2BDB	52SX2BDB	52SW2BDB
1 N.O.	A	O	O	X	M M M	52SA2CABA1	52SB2CABA1	52SX2CABA1	52SW2CABA1
					S--->M M	52SA2CBBA1	52SB2CBBA1	52SX2CBBA1	52SW2CBBA1
1 N.C.	B	X	O	O	M M<---S	52SA2CCBA1	52SB2CCBA1	52SX2CCBA1	52SW2CCBA1
					S--->M<---S	52SA2CDBA1	52SB2CDBA1	52SX2CDBA1	52SW2CDBA1
1 N.O.	A	O	O	X	M M M	52SA2CABA2	52SB2CABA2	52SX2CABA2	52SW2CABA2
1 N.C.	B	X	O	O	S--->M M	52SA2CBBA2	52SB2CBBA2	52SX2CBBA2	52SW2CBBA2
1 N.O.	C	O	O	X	M M<---S	52SA2CCBA2	52SB2CCBA2	52SX2CCBA2	52SW2CCBA2
1 N.C.	D	X	O	O	S--->M<---S	52SA2CDBA2	52SB2CDBA2	52SX2CDBA2	52SW2CDBA2
1 N.O.	A	O	O	X	M M M	52SA2GABJ2K1	52SB2GABJ2K1	52SX2GABJ2K1	52SW2GABJ2K1
1 N.C.	B	X	O	O	M M M	52SA2GABJ2K1	52SB2GABJ2K1	52SX2GABJ2K1	52SW2GABJ2K1
1 N.C.	C	O	X	O	M M M	52SA2GABJ2K2	52SB2GABJ2K2	52SX2GABJ2K2	52SW2GABJ2K2

Contact Type	Contact	Switch Position				Type M = Maintained S = Spring Return	Chrome		Black Max	
		Left	Center	Center	Right		Short Lever	Long Lever	Short Lever	Long Lever
							4-Position Operator			
No Contacts	—	—	—	—	—	M M M M	52SA2HAB	52SB2HAB	52SX2HAB	52SW2HAB
1 N.O.	A	X	O	O	O	M M M M	52SA2HABJ2K1	52SB2HABJ2K1	52SX2HABJ2K1	52SW2HABJ2K1
1 N.C.	B	O	X	O	O	M M M M	52SA2HABJ2K1	52SB2HABJ2K1	52SX2HABJ2K1	52SW2HABJ2K1
1 N.C.	C	O	O	X	O	M M M M	52SA2HABJ2K2	52SB2HABJ2K2	52SX2HABJ2K2	52SW2HABJ2K2
1 N.O.	A	O	O	O	X	M M M M	52SA2HABJ2K2	52SB2HABJ2K2	52SX2HABJ2K2	52SW2HABJ2K2
1 N.O.	B	X	O	O	O	M M M M	52SA2HABJ2K2	52SB2HABJ2K2	52SX2HABJ2K2	52SW2HABJ2K2
1 N.C.	C	O	X	O	O	M M M M	52SA2HABJ2K2	52SB2HABJ2K2	52SX2HABJ2K2	52SW2HABJ2K2
1 N.C.	D	O	O	X	O	M M M M	52SA2HABJ2K2	52SB2HABJ2K2	52SX2HABJ2K2	52SW2HABJ2K2

Note: X = Closed / O = Open

1) Readily available items are in **bold**.

This is a small representation of stocked items.

Pilot Devices

17 CONTROL PRODUCTS

Push Button Units and Indicator Lights

30mm Water, Oil Tight & Corrosion Resistant – Class 52

Keyed Selector Switch

Selection Guide

Keyed Selector Switch

Part Number	52	S	C						
		a	b	c	d	e	f³	g³	h

Pilot Devices

CONTROL PRODUCTS 17

a	Code	Type
	S	Selector Switch

b	Code	Finish
	C	Chrome – Command 52

c	Code	Style
	5	Non-Standard Lock/Key ^{1a}
	6	Standard Lock/Key

d	Code	Function
	A	2 Position: CAM A
	B	3 Position: CAM B
	C	3 Position: CAM C ²
	D	3 Position: CAM D
	E	3 Position: CAM E
	G	3 Position: CAM G
	H	4 Position: CAM H

e	Code	Lock Type
		2 Position
		Maintained / Spring Return
		Key Removal
		Left Right
	E	All Maintained X X
	F	All Maintained X —
	G	All Maintained — X
	X	Spring from Right X —

		3 Position				
		Maintained Position	Spring Return	Key Removal		
				Left	Center	Right
	E	All	—	X	X	X
	F	All	—	X	—	—
	G	All	—	—	—	X
	H	All	—	—	X	—
	J	All	—	X	—	X
	K	All	—	X	X	—
	M	All	—	—	X	X
	T	Center, Right	Left	—	X	—
	U	Left, Center	Right	—	X	—
	V	Center	Left, Right	—	X	—
	W	Center, Right	Left	—	—	X
	Y	Center, Right	Left	—	X	X
	Z	Left, Center	Right	X	X	X

		4 Position				
		Maintained Position	Key Removal			
			Left	Left Center	Right Center	Right
	E	All	X	X	X	X
	F	All	X	—	—	—
	G	All	—	—	—	X

f ³	Code	Contact Blocks
	A	1 NO - 1 NC
	J	1 NC
	K	1 NO
	E	1 NC (LB)
	H	1 NO (EM)

g ³	Code	Contact Quantity & Location	
		Left	Right
	0	1	—
	1	—	1
	2	1	1
	3	2	—
	4	—	2
	5	2	1
	6	1	2
	7	2	2
	8	3	—
	9	—	3

h	Code	Key Type ^{1b}
	Blank	501CH
	X298	550CH
	X299	549CH
	X300	548CH
	X301	547CH
	X302	506CH



Standard Lock/Key

1a. To Order 1 to 25 special locks for keyed selector switches simply replace the 6 in the 5th digit of the catalog number with a 5 when entering your order.

(Ordering Example: 52SC6AE is changed to 52SC5AE and all locks - up to 25 will be unique).

Per order, line will be uniquely keyed.

1b. b. To order the specific lock types shown in table h, simply append the corresponding "X" suffix to a standard part number (Ordering Example: 52SC6AEX298).

Note: Same list price applies as standard keyed locks.

2. C CAM on spring return selectors is limited to 4 contact blocks. For CAM selection see page 17-452.

3 For operator without contact blocks leave positions f and g blank.

Push Button Units and Indicator Lights

30mm Water, Oil Tight & Corrosion Resistant – Class 52

Keyed Selector Switch

Key-operated Selector Switch, Non-Illuminated¹⁾

Contact Type	Contact	Switch Position		Type	Key Removal	
		Left	Right	M = Maintained S = Spring Return	Left	Both
					2-Position Operator	
No Contacts	—	—	—	M M M<---S	52SC6AF 52SC6AX	52SC6AE —
1 N.O.	A	O	X	M M M<---S	52SC6AFK1 52SC6AXK1	52SC6AEK1 —
1 N.O.	A	O	X	M M	52SC6AFA1	52SC6AEA1
1 N.C.	B	X	O	M<---S	52SC6AXA1	—

Contact Type	Contact	Switch Position			Type	Key Removal						
		Left	Center	Right	M = Maintained S = Spring Return	Left	Right	Center	Left & Center	Left & Right	Center & Right	All Positions
						3-Position Operator						
No Contacts	—	—	—	—	M M M M M M S--->M M M M<----S S--->M<---S	52SC6CF 52SC6BF — — —	52SC6CG 52SC6BG — — —	52SC6CH 52SC6BH 52SC6BT 52SC6BU 52SC6BV	52SC6CK 52SC6BK — 52SC6BZ —	52SC6CJ 52SC6BJ — — —	52SC6CM 52SC6BM 52SC6BY — —	52SC6CE 52SC6BE — — —
1 N.O.	A	O	O	X	M M M S--->M M M M<----S S--->M<---S	52SC6CFA1 — — —	52SC6CGA1 52SC6CWA1 — —	52SC6CHA1 52SC6CTA1 52SC6CUA1 52SC6CVA1	52SC6CKA1 — 52SC6CZA1 —	52SC6CJA1 — — —	52SC6CMA1 52SC6CYA1 — —	52SC6CEA1 — — —
1 N.O.	A	O	O	X	M M M	52SC6CFA2	52SC6CGA2	52SC6CHA2	52SC6CKA2	52SC6CJA2	52SC6CMA2	52SC6CEA2
1 N.C.	B	X	O	O	S--->M M M M<----S S--->M<---S	— — —	52SC6CWA2 — —	52SC6CTA2 — —	— 52SC6CZA2 —	— — —	52SC6CYA2 — —	— — —
1 N.O.	C	O	O	X	M M M	—	—	52SC6CUA2	52SC6CZA2	—	—	—
1 N.C.	D	X	O	O	S--->M<---S	—	—	52SC6CVA2	—	—	—	—
1 N.O.	A	O	O	X	M M M	52SC6GFJ2K1	52SC6GGJ2K1	52SC6GHJ2K1	52SC6GKJ2K1	52SC6GJ2K1	52SC6GMJ2K1	52SC6GEJ2K1
1 N.C.	B	X	O	O	M M M	—	—	—	—	—	—	—
1 N.C.	C	O	X	O	M M M	—	—	—	—	—	—	—

Contact Type	Contact	Switch Position				Type	Key Removal	
		Left	Left Center	Right Center	Right	M = Maintained S = Spring Return	Right	All Positions
							4-Position Operator	
No Contacts	—	—	—	—	—	M M M M	52SC6HG	52SC6HE
1 N.O.	A	X	O	O	O	M M M M	52SC6HGJ2K1	52SC6HEJ2K1
1 N.C.	B	O	X	O	O	M M M M	—	—
1 N.C.	C	O	O	X	O	M M M M	52SC6HGJ2K2	52SC6HEJ2K2
1 N.O.	A	O	O	O	X	M M M M	—	—
1 N.O.	B	X	O	O	O	M M M M	—	—
1 N.C.	C	O	X	O	O	M M M M	—	—
1 N.C.	D	O	O	X	O	M M M M	—	—

Note: X = Closed / O = Open

All Operators listed above are furnished with Lock No. 501CH

1) Readily available items are in bold.

This is a small representation of stocked items.

Push Button Units and Indicator Lights

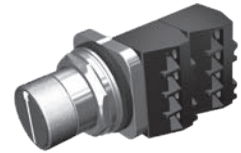
30mm Water, Oil Tight & Corrosion Resistant – Class 52

Selector Push Button

Selection Guide

Selector Push Button

Part Number	52	S a	A b	c	d	e	f ¹
--------------------	-----------	---------------	---------------	---	---	---	----------------



Selector Push Buttons

Finish	Style	Function	Color	Contacts	Part Number
Chrome	Flush Selector Push Button	2 Position CAM Q	Black	None	52SA3Q1
Chrome	Flush Selector Push Button	2 Position CAM R	Black	None	52SA3R1
Chrome	Flush Selector Push Button	2 Position CAM P	Black	None	52SA3P1

Readily available items are in **bold**.
This is a small representation of stocked items.

a	Code	Type
	S	Selector Push Buttons
b	Code	Finish
	A	Chrome - Command 52
c	Code	Style
	3	Flush Button
	4	Extended Button - 1/2"

d	Code	Function
	P	2 Position: CAM P
	Q	2 Position: CAM Q
	R	2 Position: CAM R
e	Code	Color
	1	Black
	2	Red

f ¹	Contact Blocks									
	CAM P (2 Selector Position)									
	Left		Center		Right		Contact Blocks	Mounting Position		
	N	D	N/A	N/A	N	D				
J0	X	O	—	—	O	O	NC	Left		
K0	O	X	—	—	X	X	NO	Left		
	CAM Q (2 Selector Position)									
	Left		Center		Right		Contact Blocks	Mounting Position		
	N	D	N/A	N/A	N	D				
J0	X	X	—	—	O	O	NC	Left		
J1	X	O	—	—	O	O	NC	Right		
K0	O	O	—	—	O	X	NO	Left		
K1	O	X	—	—	O	X	NO	Right		
	CAM R (2 Selector Position)									
	Left		Center		Right		Contact Blocks	Mounting Position		
	N	D	N/A	N/A	N	D				
J0	X	X	—	—	X	O	NC	Left		
J1	X	O	—	—	X	X	NC	Left		
K0	O	O	—	—	O	X	NO	Right		
K1	O	X	—	—	O	O	NO	Right		
	CAM S (3 Selector Position)									
	Left		Center		Right		Contact Blocks	Mounting Position		
	N	D	N	D	N	D				
J0	X	O	O	O	O	O	NC	Left		
J1	X	O	X	X	O	O	NC	Right		
K0	O	O	O	X	O	X	NO	Left		
K1	O	X	O	O	O	X	NO	Right		





Note: X = Closed / O = Open 1 For operator without contact blocks leave position f blank

Push Button Units and Indicator Lights

30mm Water, Oil Tight & Corrosion Resistant – Class 52

Special devices

Selection and ordering data

Version	Ohms / color	Order no.	Pack		
 <p>Potentiometer operator 2 Watts, 500 V AC/DC (NEMA Type 4)</p>	50	52MA3B01	1		
	150	52MA3B03			
	250	52MA3B04			
	500	52MA3B06			
	750	52MA3B07			
	1 K	52MA3B08			
	2.5 K	52MA3B10			
	5 K	52MA3B12			
	10 K	52MA3B14			
	15 K	52MA3B15			
	25 K	52MA3B16			
	50 K	52MA3B18			
	100 K	52MA3B20			
	150 K	52MA3B21			
	250 K	52MA3B22			
	500 K	52MA3B24			
1 M	52MA3B26				
1.5 M	52MA3B27				
2 M	52MA3B28				
5 M	52MA3B31				
 <p>2 Button maintained operator</p> <p>Button remains depressed when pushed</p>	black (flush) / red (flush)	52MA2A1A2	1		
	black (flush) / red (extended)	52MA2A1B2			
	black (flush) / yellow (mushroom)	52MA2A1D4			
	green (flush) / red (flush)	52MA2A3A2			
	green (flush) / red (extended)	52MA2A3B2			
	green (flush) / red (mushroom)	52MA2A3D2			
	green (flush) / green (mushroom)	52MA2A3D3			
	less caps	52MA2			
	 <p>Wobble stick 2.5" operator For use with 52BAJ (NC) contact block</p>	red		52ABW2 ^①	1
		green		52ABW3 ^①	
grey		52ABW6 ^①			
 <p>Maintained toggle operator</p>		52ABT	1		

① For use with 52BAJ (NC) contact block

• Revised •
03/01/14

Push Button Units and Indicator Lights

30mm Water, Oil Tight & Corrosion Resistant – Class 52

Cam selection

Selection and ordering data

Ordering Information

- Contact blocks are ordered separately, [see page 17-452](#)
- Determine which table to use based upon the type of selector (non-illum selector switch-top, illum selector switch-middle, and selector pushbutton-bottom).
- Find the correct number of selector positions (2, 3 or 4 positions).
- Select the contact operation required for each selector position. X indicates the contacts are closed, while O indicates the contacts are open. (For the selector pushbutton, N=normal and D=depressed). Contact block must be assembled in position shown for each circuit application.
- Identify the CAM letter required for the chosen contact operation (only 1 CAM can be used per selector switch or selector pushbutton).
- Contact blocks must be assembled in the position shown for each circuit application. The mounting position is viewed from the front of the device.

Ordering CAMs D, E or G

- CAM D, E or G may be ordered at the same price by changing the 6th character of the selector catalog number. Example: Selector with D cam **52SX2DAB**.

Size Requirements

- C CAM on spring return selectors is limited to 4 contact blocks.
- Selector operators in enclosures are limited to depth of 1 contact block. (2 blocks wide).

Non-illuminated and keyed selector switches (viewed from front)

2 Selector Positions				Contact Blocks	CAM	Mounting		
Left		Right	Left			Right		
X		O		NC (52BAJ)	A	L	or R	
O		X		NO (52BAK)	A	L	or R	
3 Selector Positions				Contact Blocks	CAM	Mounting		
Left	Center	Right	Left			Right		
X		O		NO (52BAK)	B		R	
O		X		NO (52BAK)	B	L		
X	X	O		NC (52BAJ)	B	L		
O	X	X		NC (52BAJ)	B		R	
X	O	X		2NO (2-52BAK)	B	L	and R	
X	O	O		NC (52BAJ)	C	L	or R	
O	O	X		NO (52BAK)	C	L	or R	
O	X	O		NC (52BAJ)	D	L	or R	
O	O	X		NO (52BAK)	D	L	or R	
X	O	O		NO (52BAK)	E	L	or R	
O	X	O		NC (52BAJ)	E	L	or R	
X	O	O		NC (52BAJ)	G	L		
O	X	O		NC (52BAJ)	G		R	
O	O	X		NO (52BAK)	G	L	or R	
4 Selector Positions					Contact Blocks	CAM	Mounting	
Left	Left Center	Right Center	Right	Left			Right	
X	O	O	O	NO (52BAK)	H		R	
O	X	O	O	NC (52BAJ)	H	L		
O	O	X	O	NC (52BAJ)	H		R	
O	O	O	X	NO (52BAK)	H	L		

Illuminated selector switches (viewed from front)

2 Selector Positions				Contact Blocks	CAM	Mounting	
Left		Right	Left			Right	
X		O		NC (52BAJ)	A	L	
O		X		NO (52BAK)	A	L	
3 Selector Positions				Contact Blocks	CAM	Mounting	
Left	Center	Right	Left			Right	
O	O	X		NC (52BAJ)	B		R
O	X	O		NO (52BAK)	B		R
X	O	O		NC (52BAJ)	C	L	
O	O	X		NO (52BAK)	C	L	

Selector Pushbuttons (viewed from front)

2 Selector Positions						Contact Blocks	CAM	Mounting	
Left		Right		Left	Right				
N	D	N	D						
X	O	O	O	NC (52BAJ)	Q				R
X	X	O	O	NC (52BAJ)	Q	L			
O	X	O	X	NO (52BAK)	Q				R
O	O	O	X	NO (52BAK)	Q	L			
X	O	O	O	NC (52BAJ)	P	L	or		R
O	X	X	X	NO (52BAK)	P	L	or		R
X	X	X	O	NC (52BAJ)	R	L			
X	O	X	X	NC (52BAJ)	R				R
O	X	O	O	NO (52BAK)	R				R
O	O	O	X	NO (52BAK)	R	L			
3 Selector Positions						Contact Blocks	CAM	Mounting	
Left		Center	Right		Left			Right	
N	D	N	D	N	D				
X	O	O	O	O	O	NC (52BAJ)	S	L	
X	O	X	X	O	O	NC (52BAJ)	S		R
O	X	O	O	O	X	NO (52BAK)	S		R
O	O	O	X	O	X	NO (52BAK)	S	L	

Pilot Devices

CONTROL PRODUCTS 17

17-452

Siemens Industry, Inc. SPEEDFAX™ 2011 Product Catalog Product Category: PILO

Push Button Units and Indicator Lights

30mm Water, Oil Tight & Corrosion Resistant – Class 52

Custom selector switch designs

Selection and ordering data

Assembled Non-illuminated Selector Switches

- Determine contact block and location from above.
- Select block suffix. Ex: **J = 52BAJ**.
- Now select position suffix.
- **1-52BAJ** block mounted on right side, suffix will be **J 1**.
- Additional suffixes allow for multiple quantities and locations.
- Repeat process for next block if required.
- Add list price of blocks to operator list price.
- Consult factory for delivery.

Example 1: X O O
 O O X

HAND-OFF-AUTO Maintained Switch
Catalog No **52SA2CAB A 1 = 52A2CABA1**
(**52BJK** block mounted on right side)

Example 2: X O O **52BAJ (L)**
 O X O **52BAJ (R)**
 O O X **52BAK (L or R))K1**

G Cam required
Catalog No **52SA2GAB J2 K1 = 52SA2GABJ2K1**

Block Suffix

A = 1 NO - 1 NC, **52BJK**
E = NC Late Break, **52BAE**
H = NO Early Make, **52BAH**
J = NC, **52BAJ**
K = NO, **52BAK**

Position Suffix







Suffix	Quantity and Location	
	Left	Right
0	1	—
1	—	1
2	1	1
3	2	—
4	—	2
5	2	1
6	1	2
7	2	2
8	3	—
9	—	3

Push Button Units and Indicator Lights

30mm Water, Oil Tight & Corrosion Resistant – Class 52

Accessories and spare parts

Selection and ordering data

Version	Suitable for	Color	Order no.
 Flush actuator lens cap	For flush type, non-illuminated pushbuttons bag of 20 caps	black red green yellow blue gray orange kit- all colors	52RA1A1 52RA1A2 52RA1A3 52RA1A4 52RA1A5 52RA1A6 52RA1A8 52RA1AN
 Extended actuator lens cap	For extended type, non-illuminated pushbuttons bag of 20 caps	black red green yellow blue gray orange 1 of each color cap	52RA1B1 52RA1B2 52RA1B3 52RA1B4 52RA1B5 52RA1B6 52RA1B8 52RA1BN
 Mushroom head cap - Plastic set-screw type	For large 2 1/2" (63.5mm) type, set screw non-illuminated mushroom pushbuttons	black red green yellow blue gray orange 1 kit of each color cap	52RB3E1 52RB3E2 52RB3E3 52RB3E4 52RB3E5 52RB3E6 52RB3E8 52RB3EN
	For small 1 5/8" (41.3mm) type, non-illuminated mushroom pushbuttons	black red green yellow blue gray orange 1 of each color cap	52RB3D1 52RB3D2 52RB3D3 52RB3D4 52RB3D5 52RB3D6 52RB3D8 52RB3DN
 Mushroom head cap - Metal set-screw type	For small 1 5/8" (41.3mm) type, set screw non-illuminated mushroom pushbuttons	chrome red green	52RB3FC 52RB3F2 52RB3F3
 Replacement Lens for Indicator Lights	For catalog numbers starting with 52PL or 52BL ^{①②}	Plastic	red green blue amber clear white 1 of each color
		Glass	red green blue amber clear white 1 of each color
 Replacement Lens for Push to Test/Illuminated Pushbuttons	For catalog numbers starting with 52PT or 52BT ^③	Plastic	red green blue amber clear white

① To order replacement lens for indicator lights starting with 52PA, 52PE, or 52PX, change the 6th digit to P for plastic and G for glass.

② It is possible to retrofit catalog numbers starting with 52PA, 52PE and 52PX with the replacement lens. The new lens have concentric ribs for improved light distribution.








③ To order replacement lens for push to test / illuminated pushbuttons starting with 52PA, 52PE, or 52PX, change the 6th digit to a P.

Push Button Units and Indicator Lights

30mm Water, Oil Tight & Corrosion Resistant – Class 52

Accessories and spare parts

Selection and ordering data

Version	Suitable for	Color	Order no.
Mushroom head push pull illuminated plastic screw-on type	For small 1 3/4" type, push-pull units	red green amber	52RC3JR 52RC3JS 52RC3JT
	For large 2 1/2" type, push-pull units	red green amber	52RC3KR 52RC3KS 52RC3KT
 Mushroom head push pull illuminated metal screw-on type	Chrome, for small 1 3/4" type, push-pull units	red green amber white	52RB3H2 52RB3H3 52RB3H9 52RB3HB
	BlackMax, for small 1 3/4" type, push-pull units	red green amber white	52RX3H2 52RX3H3 52RX3H9 52RX3HB
 Mushroom head push pull non-illuminated plastic screw-on type	For small 1 3/4" type, push-pull units (catalog numbers starting with 52PP or 52BP) ^①	black red green yellow blue gray orange 1 of each color	52RC3D1 52RC3D2 52RC3D3 52RC3D4 52RC3D5 52RC3D6 52RC3D8 52RC3DN
	For large 2 1/2" type, push-pull units (catalog numbers starting with 52PP or 52BP) ^①	black red green yellow blue gray orange 1 of each color	52RC3E1 52RC3E2 52RC3E3 52RC3E4 52RC3E5 52RC3E6 52RC3E8 52RC3EN
 Mushroom head push pull non-illuminated metal screw-on type	For small 1 3/4" type, push-pull units (catalog numbers starting with 52PP or 52BP) ^①	red green chrome	52RC3F2 52RC3F3 52RC3FC
 Twist to release head illuminated plastic screw-on type	For small twist to release units	red green amber	52RC3RR 52RC3RS 52RC3RT
 Twist to release head non-illuminated plastic screw-on type	For small twist to release units	red green yellow	52RC3R2 52RC3R3 52RC3R4
 Replacement lens kit for illuminated selector switches (Knob with Insert)		red green blue amber clear white	52RA6P2 52RA6P3 52RA6P5 52RA6P9 52RA6PA 52RA6PB
 Lever inserts	Short lever	red green yellow blue gray orange white	52RA2A2 52RA2A3 52RA2A4 52RA2A5 52RA2A6 52RA2A8 52RA2AB
	Long lever	red green yellow blue gray orange white	52RA2B2 52RA2B3 52RA2B4 52RA2B5 52RA2B6 52RA2B8 52RA2BB










① For push-pull units whose catalog numbers that start with 52PX, 52PA or 52PE, replacement heads are available. Order from the 52RB type "Mushroom head pushbutton cap" section on page 17-452.

Push Button Units and Indicator Lights

30mm Water, Oil Tight & Corrosion Resistant – Class 52

Accessories and spare parts

Selection and ordering data

Version	Suitable for	Color	Order no.
 Protective boot Offers protection from ice and foreign substances from interfering with button operation	Flush pushbutton operations	clear black	52AABA 52AAB1
 Guards Prevents accidental operation	Non-illuminated basic pushbuttons 1 5/8" mushroom pushbuttons, 1 3/4" push-pull units ^① , and twist to release units Push to test/illuminated pushbutton and indicator lights	chrome blackmax chrome blackmax chrome blackmax	52AAGP 52AXGP 52AAGM 52AXGM 52AAGL 52AXGL
 EMERGENCY-STOP Lock Out  EMERGENCY-STOP Backing Ring	Class 52 Illuminated Mushroom Head Pushbuttons; 304 Stainless Steel Yellow 90mm E-STOP Backing Ring	chrome (304 SS)	52AALE 52AAR
 Locknuts Replacement front ring	Non-illuminated basic pushbuttons Non-illuminated mushroom pushbuttons Push-pull and twist-to-release units (only for push-pull units starting with 52PP or 52BP) ^② Indicator Lights Selector switches	chrome blackmax chrome blackmax chrome blackmax blue amber chrome blackmax	52AANP 52AXNP 52AANL 52AXNL 52CANP 52CXNP 52AANL 52AXNL 52AANS 52AXNS
Mounting Accessories	Class 52 Trim Washer Kit (Set of 10 pcs) Class 52 Washer Kit (Include 2-Neoprene Gaskets, 1-Trim Washer, 1-Index Locking Ring (chrome))	chrome	52AAQ 52AAD
Padlock attachments	Non-illuminated basic pushbuttons	flush extended	52AALA 52AALB
 Padlock cover Lock devices in off position	Pushbuttons, selector switches, and non-illuminated mushroom heads		52AALS
 Lock nut wrench	All devices		52MAWB
 Hole plugs		corrosion resistant steel, grey stainless steel	52AAH6 52ABH6 52ABHS
Spare keys (Kit includes 1 Key)	Class 52 Standard Keyed Selector Switch. Keyed Selector Switch ordered with Suffix X302. Keyed Selector Switch ordered with Suffix X301. Keyed Selector Switch ordered with Suffix X300. Keyed Selector Switch ordered with Suffix X299. Keyed Selector Switch ordered with Suffix X298.	501CH 506CH 547CH 548CH 549CH 550CH	52KEY-501CH 52KEY-506CH 52KEY-547CH 52KEY-548CH 52KEY-549CH 52KEY-550CH
Grounding kit	All devices		52AL109145
 Touchsafe contact blocks with gold flashing 52 BAJ 52 BAK 52 BAR	1 NO 1 NC 1 NO - 1 NC 1 NO early make 1 NC late break 1 NO - 1 NC 1 NC extra late break	closes before 52BAK opens after 52BAJ Reed switch; UL listed for class 1 division 2; .25A Max, 200V AC, 10 Watt max .5A Max, 200V DC, 10 Watt max	52BAK 52BAJ ^④ 52BJK ^④ 52BAH 52BAE 52BAR ^④ 52BAU

① These can also be used with the 1 5/8" push-pull devices.

② For push-pull units starting with part numbers 52PA, 52PE or 52PX, replacement locknuts can be ordered using 52AANL (Chrome) and 52AXNL (BlackMax).

③ Hermetically Sealed


④ ⊕ Positive opening according to IEC 60947-5-1, Appendix K.

Push Button Units and Indicator Lights

30mm Water, Oil Tight & Corrosion Resistant – Class 52

Accessories and spare parts

Selection and ordering data

Version	Suitable for	Lamp voltage	Color	Order no.
Lamps with screw connection, miniature bayonet (BA 9s style)				
Incandescent lamps,				
	Flashing, type 267 lamp (replaces 755 lamp)	51, 52	6 V	52AABNF
	6V type 755 lamp (Rated 150 mA)	51, 52	6 V	52AABN
	12V type 756 (Rated 80 mA)	51, 52	12 V	52AACN
	24V type 757 (Rated 80 mA)	51, 52	24 V	52AADN
	48V, 2W	52	48 V	3SB1902-1AP
	60V, 2W	52	60 V	3SR9424
	120V, 2.5W, type #120MB (Rated 250 mA)	52	120 V	52AAENC1
Neon (uses resistors) type B2A (NE-51H)	52	120 V	52AAPN	
Candelabra, 120V, 3W, Full voltage type 3S6/5	52 older revision styles	120 V		52AAENC
LED bulbs^①				
LED, BA9s type ^②	Class 52	6 V AC/DC 24 V AC/DC 120 V AC/DC		52AEB□ 52AED□ 52AEE□
Super-Bright LED ^②	Class 52	6 V AC/DC 24 V AC/DC 120 V AC/DC 120 V DC		52AEB□7 52AED□7 52AEE□7 52AEV□7
LED lighting module with integrated LED.				
Single LED (Rated 35 mA Maximum)	Class 52	24 V AC/DC 120 V AC 240 V AC		52AAIL□ 52AAIM□ 52AAIN□
Full voltage lighting module accessory with BA9s type lamp^①				
LED ^②	Class 52	6 V AC/DC 24 V AC/DC 120 V AC/DC		52AAF□B 52AAF□D 52AAF□E
Super-Bright LED ^②	Class 52	6 V AC/DC 24 V AC/DC 120 V AC/DC		52AAF□Y 52AAF□D Y 52AAF□E Y
Incandescent bulb	Class 52	6 V AC/DC 24 V AC/DC 120 V AC/DC		52AAF□B 52AAF□D 52AAF□E
Transformer lighting module accessory with BA9s type lamp^①				
LED	Class 52	120 V AC 240 V AC 480 V AC 600 V AC		52AAT□B 52AATH□B 52AAT□J 52AAT□K
Super-Bright LED	Class 52	120 V AC 240 V AC 480 V AC 600 V AC		52AAT□Y 52AATH□Y 52AAT□J Y 52AAT□K Y
Incandescent bulb	Class 52	120 V AC 240 V AC 480 V AC 600 V AC		52AAT□N 52AATH□N 52AAT□J N 52AAT□K N

Color options:

red
green
yellow/amber
blue
white/clear

2
3
4
5
B

① Standard LED lamps are recommended for indoor applications, Super-Bright LED Lamps are recommended for outdoor applications.

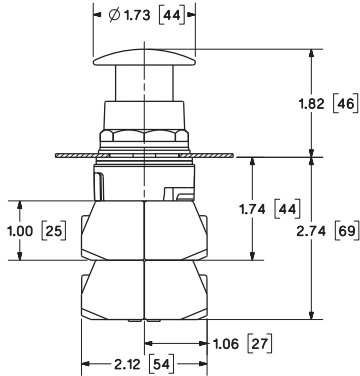
② 6V, 24V (Super Bright only) and 120V are currently AC only. Replaced by AC/DC rated versions end of 2014.

Push Button Units and Indicator Lights

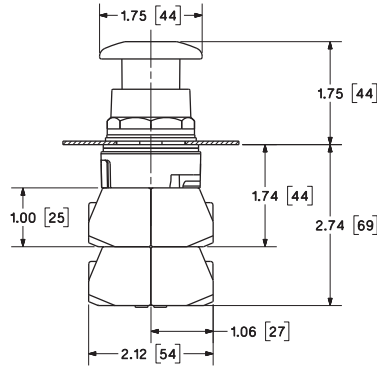
30mm Water, Oil Tight & Corrosion Resistant – Class 52

Dimensional drawings

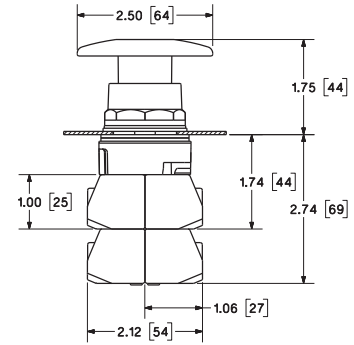
Non-Illuminated Push-Pull
Metal Mushroom Head



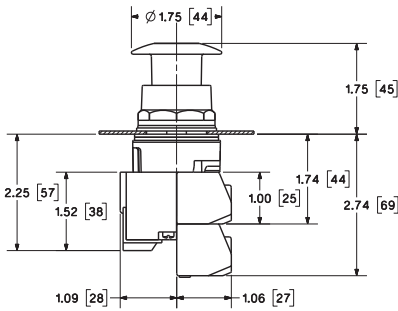
Non-Illuminated Push-Pull
Small Plastic Mushroom Head



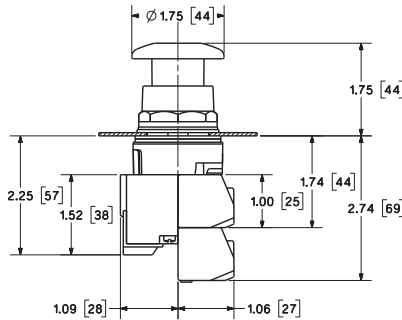
Non-Illuminated Push-Pull
Large Plastic Mushroom Head



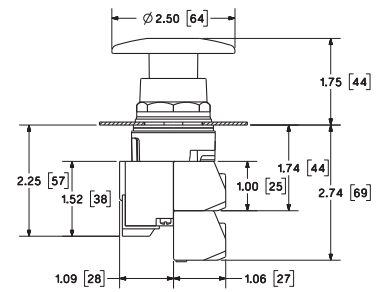
Illuminated Push-Pull
Metal Mushroom Head



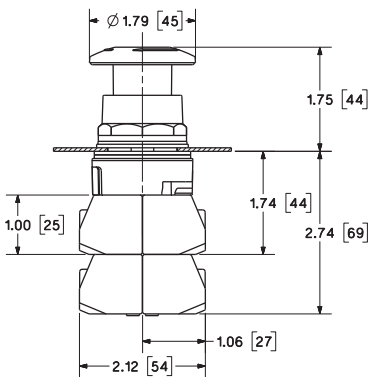
Fully Illuminated Push-Pull
Small Plastic Mushroom Head



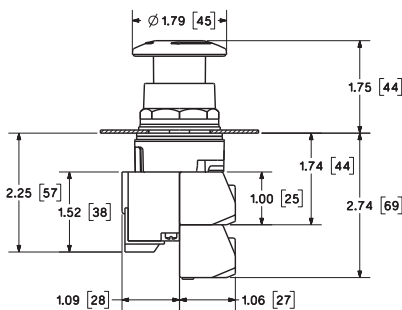
Illuminated Push-Pull
Large Plastic Mushroom Head



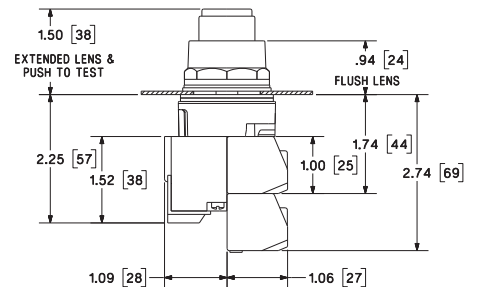
Non-Illuminated Twist Release
Plastic Mushroom Head



Illuminated Twist Release
Plastic Mushroom Head



Illuminated Pushbutton Flush Lens
Illuminated Pushbutton Extended Lens
Illuminated Push to Test

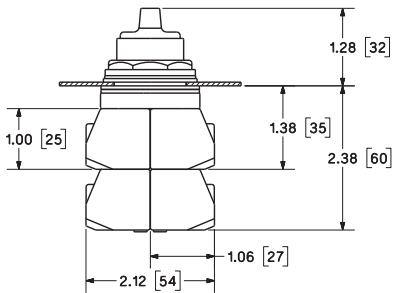


Push Button Units and Indicator Lights

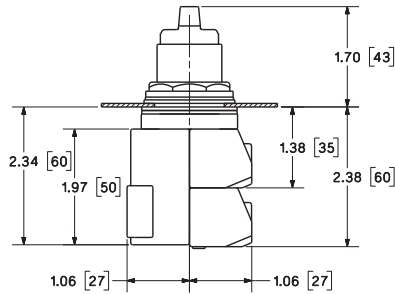
30mm Water, Oil Tight & Corrosion Resistant – Class 52

Dimensional drawings

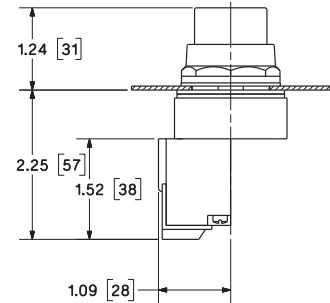
Selector Switch
Non-Illuminated



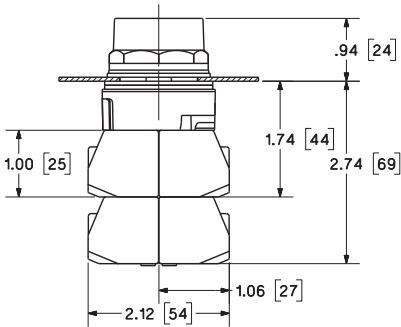
Selector Switch
Illuminated



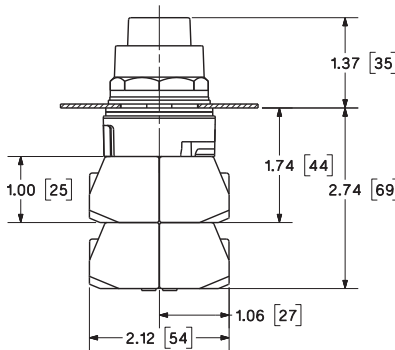
Indicator Light
Plastic Lens



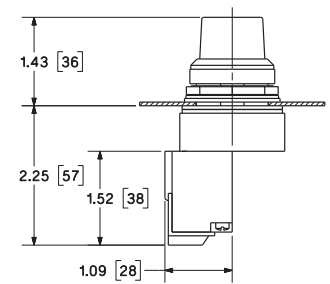
Momentary Pushbutton
Non-Illuminated Flush Cap



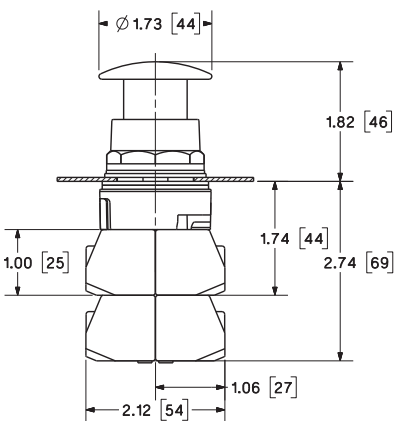
Momentary Pushbutton
Non-Illuminated Raised Cap



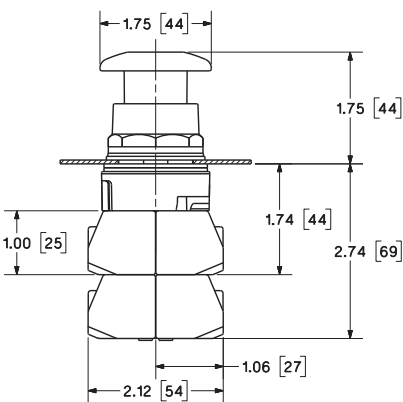
Indicator Light
Glass Lens



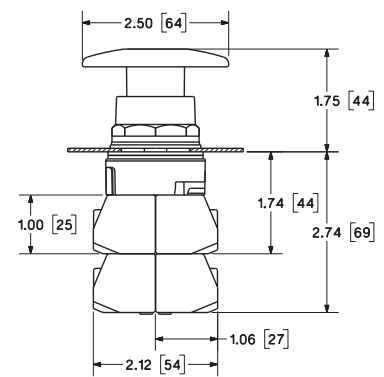
Momentary Pushbutton
Metal Mushroom Head



Momentary Pushbutton
Small Plastic Mushroom Head



Momentary Pushbutton
Large Plastic Mushroom Head

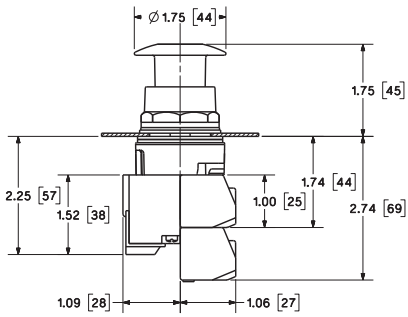


Push Button Units and Indicator Lights

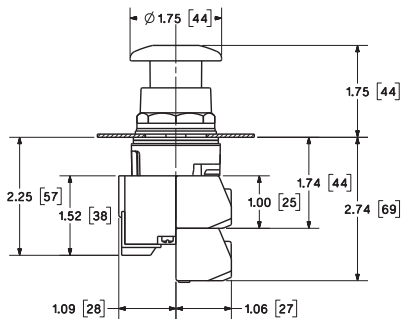
30mm Water, Oil Tight & Corrosion Resistant – Class 52

Dimensional drawings

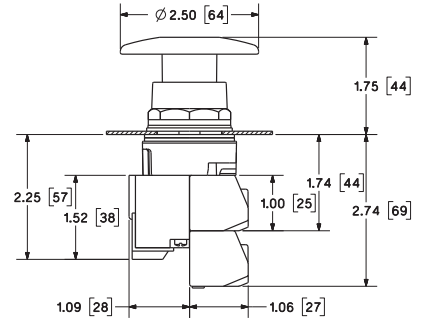
Illuminated Momentary Pushbutton
Metal Mushroom Head



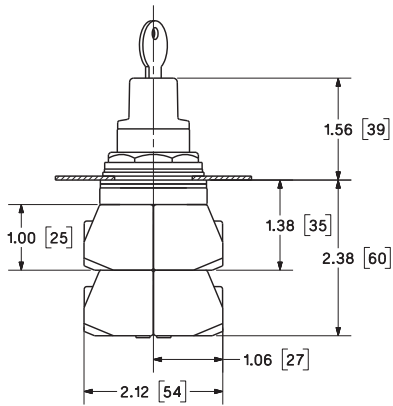
Illuminated Momentary Pushbutton
Small Plastic Mushroom Head



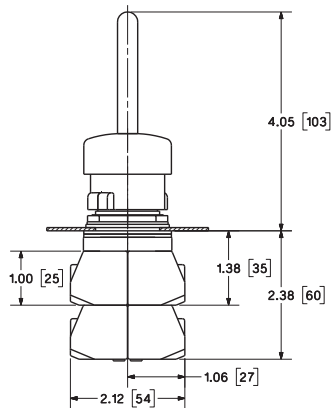
Illuminated Momentary Pushbutton
Large Plastic Mushroom Head



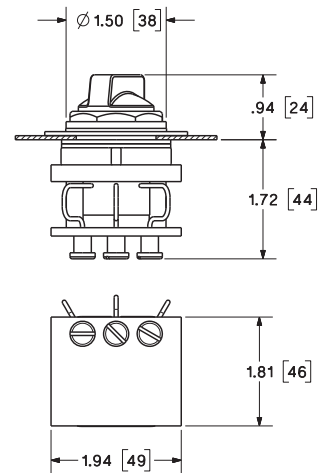
Selector Switch
Keyed



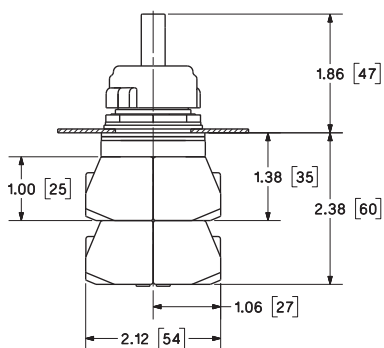
Wobble Switch



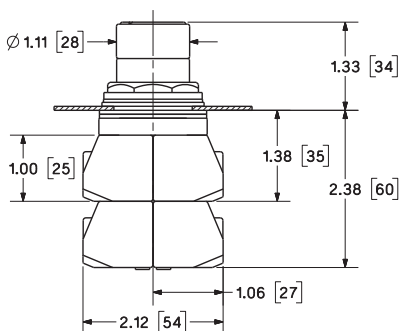
Potentiometer Switch



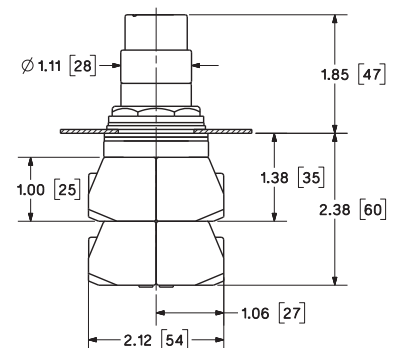
Toggle Switch



Selector Pushbutton Switch
Flush Cap



Selector Pushbutton Switch
Raised Cap

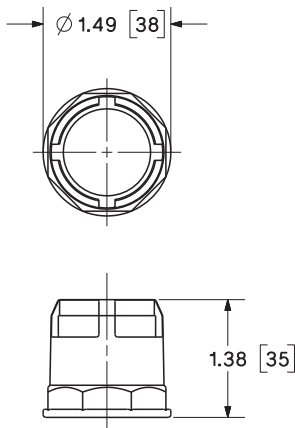


Push Button Units and Indicator Lights

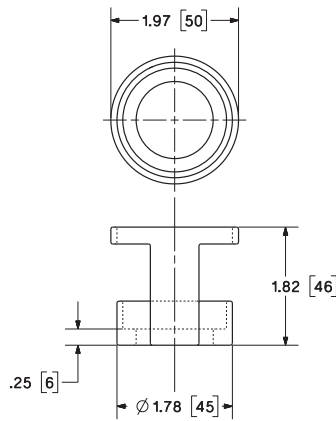
30mm Water, Oil Tight & Corrosion Resistant – Class 52

Dimensional drawings

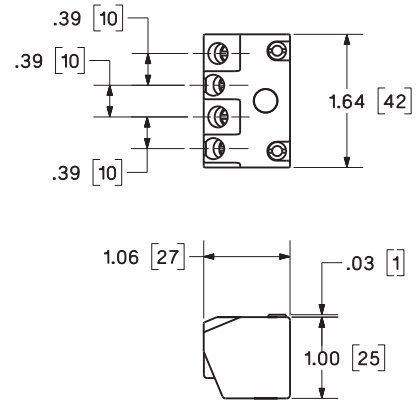
Momentary Pushbutton Guard
Illuminated Push to Test Guard



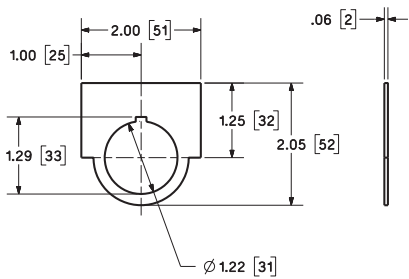
Mushroom Head Guard



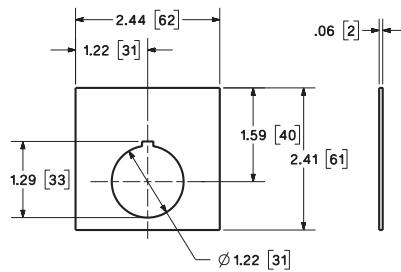
Contact Block



Large Metal Legend Plate



Automotive Metal Legend Plate



Large Plastic Legend Plate

