

# WIREMOLD



## 2475D/4075D/4075DA BRIDGE FITTINGS

### INSTALLATION INSTRUCTIONS

Installation Instruction No.: 43029R2 - Updated May 2005

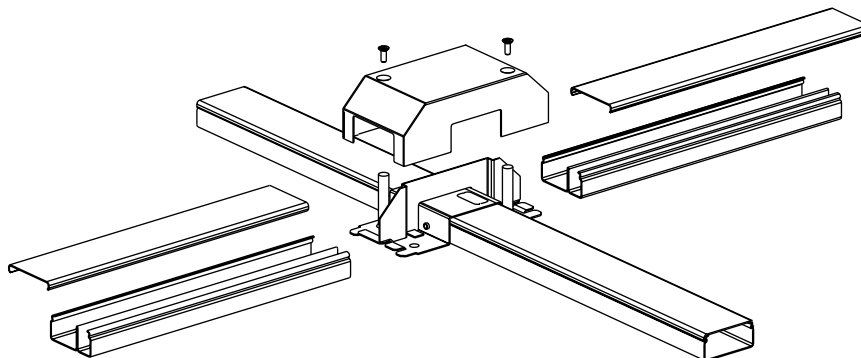
Wiremold Electrical Systems conform to and should be installed and properly grounded in compliance with requirements of the current National Electrical Code, Canadian Electrical Code or codes administered by local authorities.

All electrical products may represent possible shock or fire hazard if improperly installed or used. Wiremold electrical products are UL Listed to U.S. and Canadian safety standards, made for interior use only, and should be installed in conformance with current local and/or the National Electrical Code.

#### 2475D BRIDGE FITTING INSTALLATION:

1. Locate position that new raceway is to cross over existing raceway.
2. Place the 2475D Bridge Fitting Base into position and secure to the mounting surface with appropriate fasteners, through the two (2) 1/4" [6.35mm] diameter holes provided in the base. It is not necessary to cut the cover of the raceway being crossed over, unless the intention is to use the bridge for a directional change. If a change in direction is desired, remove a section of raceway cover equal to width of the Bridge Base, and remove the appropriate-sized knockouts from the Bridge Base.  
**NOTE: Change of direction feature should be used only in a 2400 over 2400 application. Feature is not to be used when crossing 2400 Series Raceway over a smaller raceway system.**
3. Align a segment of 2400 Series Raceway Base with the Offset Divider on either end of the Bridge Fitting Base, push together until the 2400 Series Raceway Base is held securely in place. Add additional fasteners to secure the 2400 Series Raceway Base to the mounting surface as required.
4. Repeat on opposite side of the 2475D Bridge Fitting until layout is complete.
5. Run wires as required.
6. Install 2400 Series Raceway Covers as required. The 2400 Series Raceway Covers adjacent to the 2475D Bridge Fitting will need to be cut 3/8" [9.53mm] shorter than the base because of the divider.
7. Remove twistouts from sides of the cover according to the size of the raceway being crossed, and install 2475D Bridge Fitting Cover with two (2) flat head screws supplied.
8. Use of these fittings will result in a reduction in wire fill capacity of approximately 10% as detailed in the chart below.

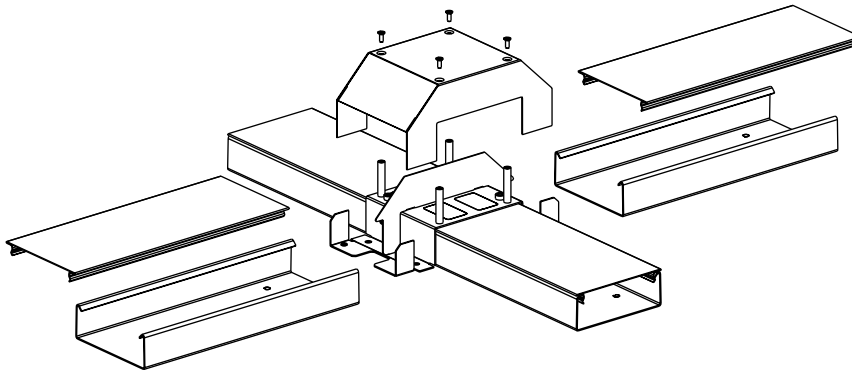
SIZE	CONDUCTORS TYPE	NUMBER	
		1/3	2/3
14	THHN	10	23
12	THHN	8	17
10	THHN	5	10



## 4075D/4075DA BRIDGE FITTING INSTALLATION:

1. Locate position that new raceway is to cross over existing raceway.
2. Place the 4075D Bridge Fitting Base into position and secure to the mounting surface with appropriate fasteners, through the four (4) 1/4" [6.35mm] diameter holes provided in the base. It is not necessary to cut the cover of the raceway being crossed over, unless the intention is to use the bridge for a directional change. If a change in direction is desired, remove a section of raceway cover equal to width of the Bridge Base, and remove the appropriate-sized knockouts from the Bridge Base.  
**NOTE: Change of direction feature should be used only in a 4000 over 4000 application.  
Feature is not to be used when crossing 4000 Series Raceway over a smaller raceway system.**
3. Align a segment of 4000 Series Raceway Base with the tabs on either end of the Bridge Fitting Base, and tighten the #8 round head screws until the 4000 Series Raceway Base is held securely in place. Add additional fasteners to secure the 4000 Series Raceway Base to the mounting surface as required.
4. Repeat on opposite side of the 4075D Bridge Fitting until layout is complete.
5. Run wires as required.
6. Install 4000 Series Raceway Covers as required.
7. Remove twistouts from sides of the cover according to the size of the raceway being crossed, and install 4075D Bridge Fitting Cover with four (4) flat head screws supplied.
8. Use of these fittings will result in a reduction in wire fill capacity of approximately 10% as detailed in the chart below.

SIZE	CONDUCTORS	
	TYPE	NUMBER
14	THHN	114
12	THHN	83
10	THHN	52
8	THHN	29
6	THHN	21
4	THHN	13
3	THHN	10
2	THHN	9



# WIREMOLD

 legrand®

**Wiremold / Legrand**

U.S. and International:

60 Woodlawn Street • West Hartford, CT 06110

1-800-621-0049 • FAX 860-232-2062 • Outside U.S. 860-233-6251

Canada:

570 Applewood Crescent • Vaughan, Ontario L4K 4B4

1-800-723-5175 • FAX 905-738-9721

