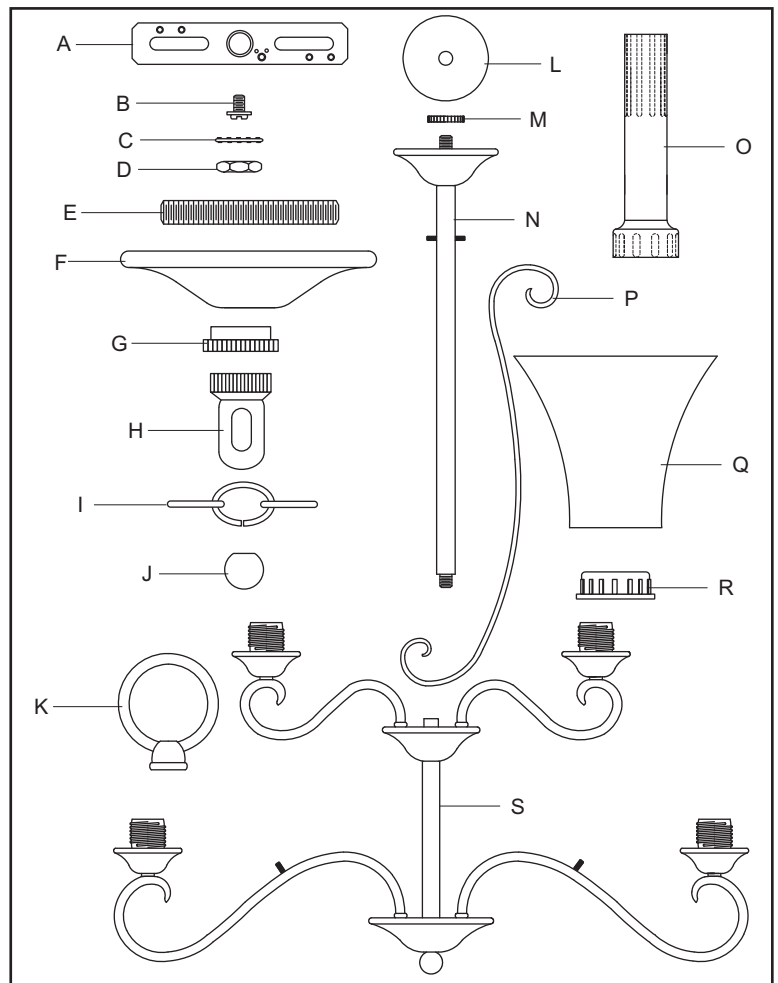


PACKAGE CONTENTS

Revised 2015-12-24

Part	Description	Quantity
A	Crossbar	1pc
B	Green Ground Screw	1pc
C	Lock Washer	2pcs
D	Hex Nut	2pcs
E	Nipple	1pc
F	Ceiling Canopy	1pc
G	Canopy Lock Ring	1pc
H	Ceiling Canopy Loop	1pc
I	Fixture Chain	1pc
J	Lock Ball	6pcs
K	Fixture Loop	1pc
L	Round Plate	1pc
M	Knurled Nut	1pc
N	Center Stem with Spacer and Fixture Cover	1pc
O	Socket Collar Tool	1pc
P	Side Arm	3pcs
Q	Shade	9pcs
R	Socket Collar	9pcs
S	Socket Assembly	1pc



! WARNINGS AND CAUTIONS

Turn off electricity at circuit breaker or main fuse box before installation. Consult a licensed electrician if in doubt.

These instructions are provided for your safety. It is very important you read them completely before installing the fixture. We strongly recommend that a licensed, professional electrician perform the installation.

Disconnect fixture from power source before replacing bulbs. Make sure bulbs are given sufficient time to cool before removal. Do not subject glass parts to any shock while in operation or shattering may result.

PREPARATION

Please go to www. quoizel. com for product cleaning tips. Go to the **Care + Maintenance** selection.

Tools Required: Flathead screwdriver, Phillips screwdriver, pliers, wire cutters, wire strippers, electrical tape, safety glasses.

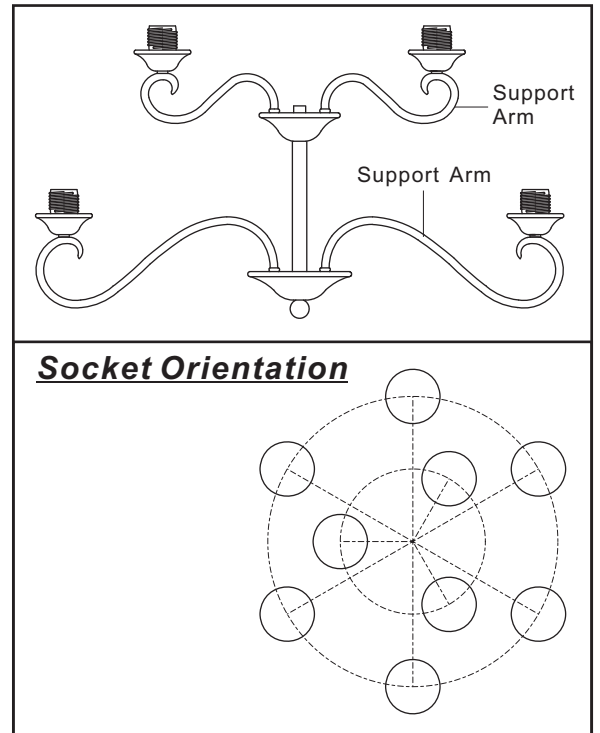
Light Source: (9) Medium Base 100W Maximum, Alternate (9) 23W CFL Bulbs

Estimated Assembly Time: 30-45 minutes

Preparation: Identify and inspect all parts before beginning installation. Check package content list and diagrams below to be sure all parts are present. If any parts are missing or damaged, do not attempt to assemble, install, or operate the fixture. Contact customer service for replacement parts.

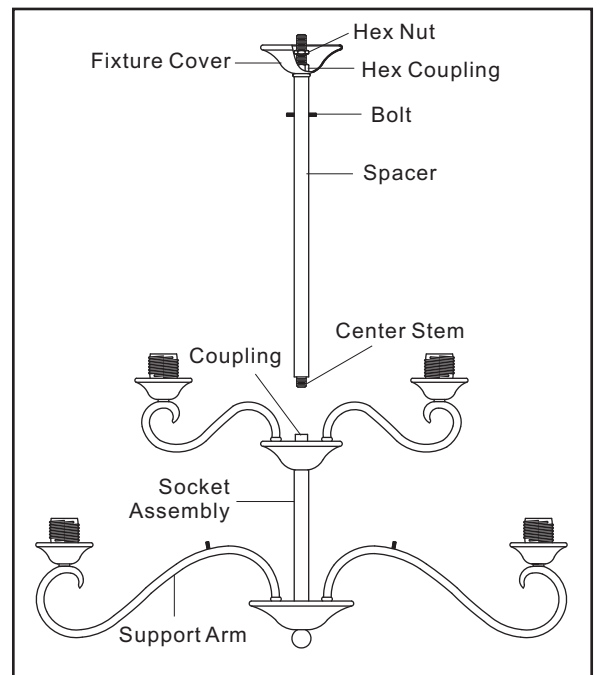
STEP 1:

- a. Unfold Support Arms to proper location refer to the Socket Orientation.



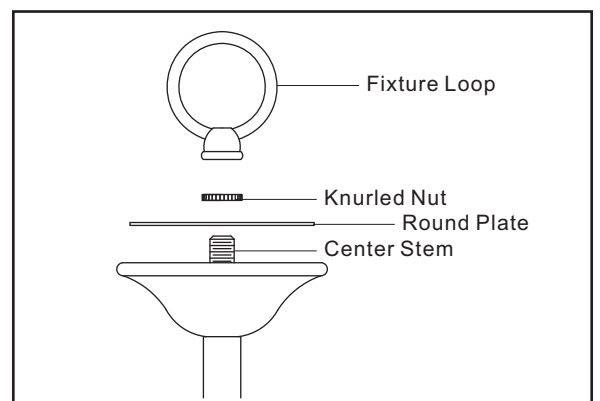
STEP 2:

- a. Screw the end of the Center Stem into the Coupling on the top center of the Socket Assembly.
- b. Line up the Bolts on the Spacer and the Support Arms on the bottom tier of the Socket Assembly. Secure them with the Hex Coupling inside the Fixture Cover. Tighten until snug.
- c. Adjust the Hex Nut on the top end of the Center Stem to proper location for the Round Plate, Knurled Nut and Fixture Loop in the next step.



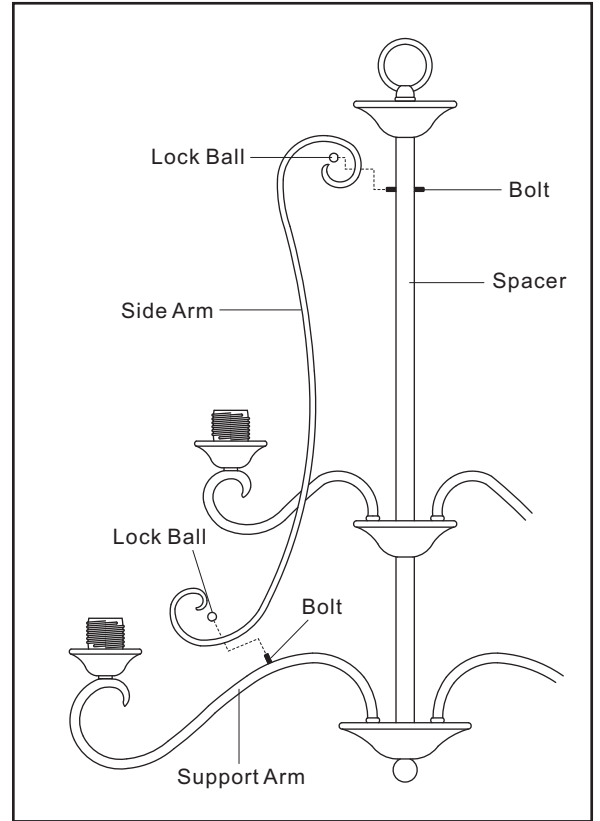
STEP 3:

- a. Place the Round Plate over the top end of the Center Stem and secure with Knurled Nut. Hand tighten until snug.
- b. Thread the Fixture Loop onto the top center of the fixture and hand tighten until snug.



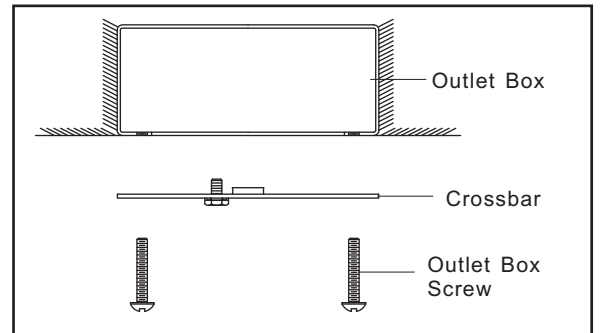
STEP 4:

- a. Pass the holes on the Side Arm over the Bolts on the Spacer and Support Arm (bottom tier). Secure with the Lock Balls and hand tighten until snug.



STEP 5:

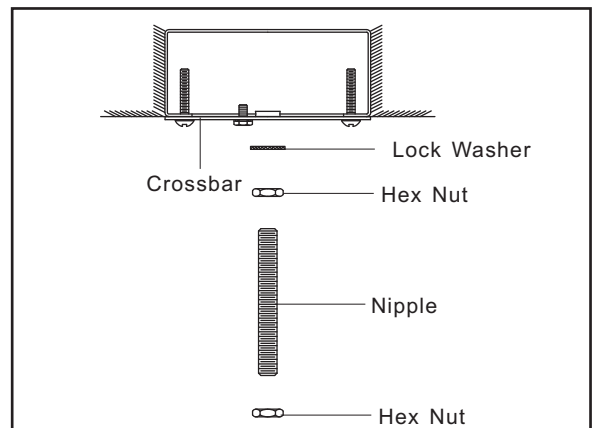
- a. Secure the Crossbar onto the Outlet Box with Outlet Box Screws. Tighten until snug.



STEP 6:

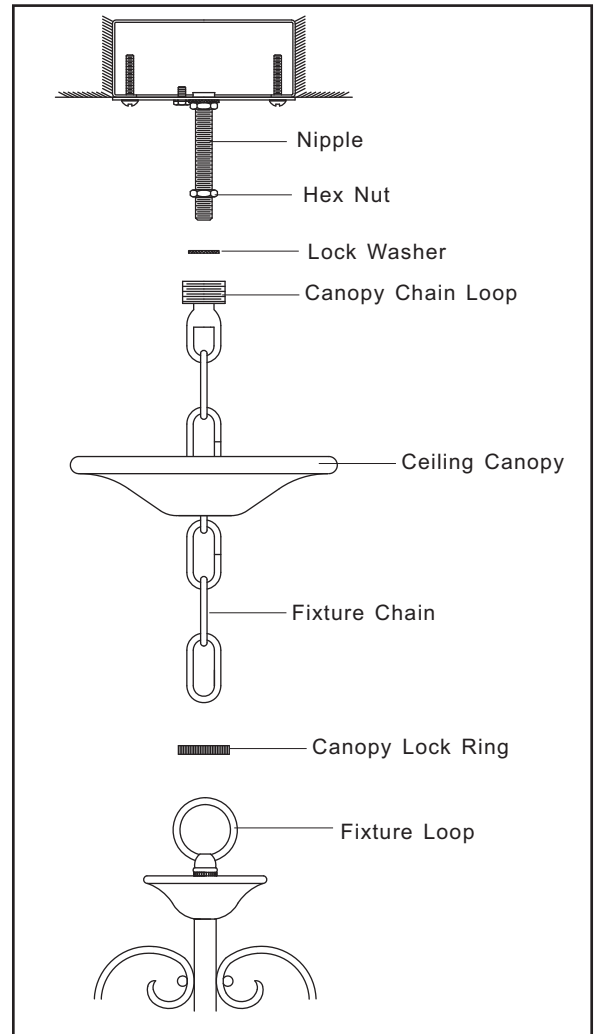
* Pliers is required on this step.

- a. Thread one Hex Nut onto top end of the Nipple.
- b. Place one Lock Washer over the top end of the Nipple and then thread the Nipple into the center lock hole of the Crossbar.
- c. Using pliers, thread the Hex Nut against the Crossbar and hand tighten until snug.
- d. Thread another Hex Nut onto the bottom end of the Nipple.



STEP 7:

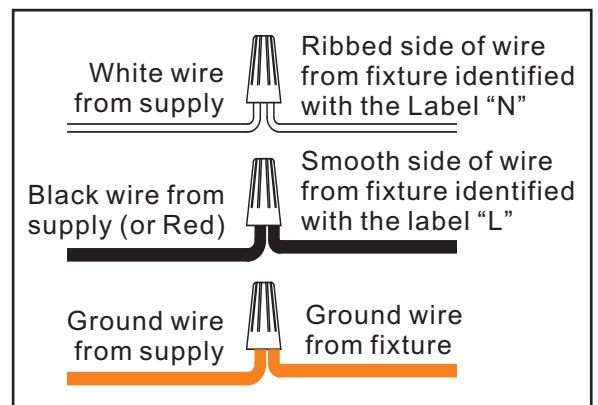
- a. Adjust the Fixture Chain to your desired length by removing the links if needed.
* Please note that depends on chain material thickness, you might be required to use chain pliers to spread links open.
- b. Pull the supply wires through the Fixture Chain alternating links. And then pull the wires through the following components in turn: Canopy Lock Ring, Ceiling Canopy, Canopy Chain Loop, Lock Washer, and Nipple.
- c. Place Lock Washer over the end of the Nipple and thread the Canopy Chain Loop onto the end of the Nipple.
- d. Using pliers, thread the Hex Nut against the Canopy Chain Loop and tighten until snug.
- e. Attach one end of the Fixture Chain onto the Fixture Loop and attach the another end of the chain onto the Canopy Chain Loop.
- f. Refer to Step 8 – Wire Connections to connect wires.
- g. Push the Ceiling Canopy upward over the Outlet Box.
- h. Thread the Canopy Lock Ring onto the Canopy Chain Loop and tighten until snug to secure the Ceiling Canopy.



STEP 8:

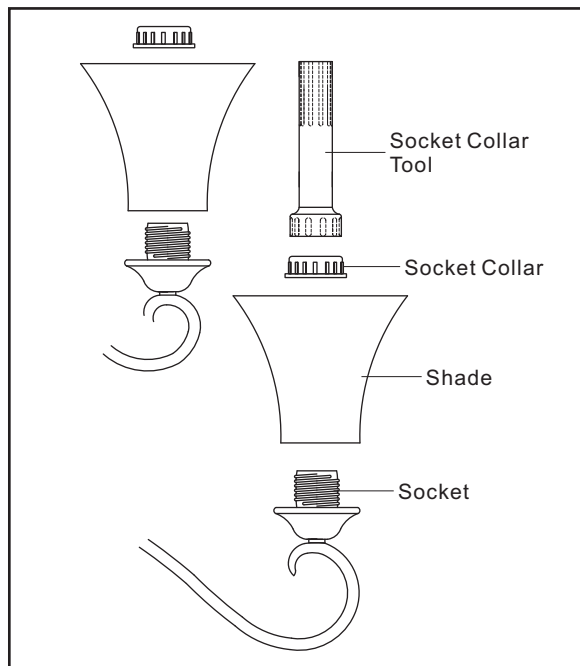
- a. Use standard wire connectors (not included) to make all wire connections. (Connectors are not included with fixture.) Twist connectors until wires are tightly joined together. Wrap each connection with approved electrical tape and carefully stuff all the connected wires into outlet box.

Note: If the electrical wire is going to be cut shorter than provided you will need to identify the "L" line wire and the "N" neutral wire before you cut the excess wire off. One is labeled N and the other labeled L. To do this separate the "L" line wire and the "N" neutral wire as far as you need to. Re-label the wire near where you want to make the cut. Be sure to mark the wire on the side of the fixture and not on the excess wire being cut and removed.



STEP 9:

- a. Locate the Shade over the Socket. Using the Socket Collar Tool (supplied), thread the Socket Collar onto the Socket to secure the Shade. Hand tighten until snug.

**STEP 10:**

- a. Install correct Bulbs referring to fixture markings and/or labels for maximum wattage.

Your installation is completed now. Restore electricity. Retain this sheet for future reference.