

LED eSTRIP



LED eStrip is our most versatile linear lighting product.
Now with 3014 type LEDs, LED eSTRIP is brighter and better than ever!

*Now Available in
RGB Color Change and
High Power (50% Brighter) versions!*

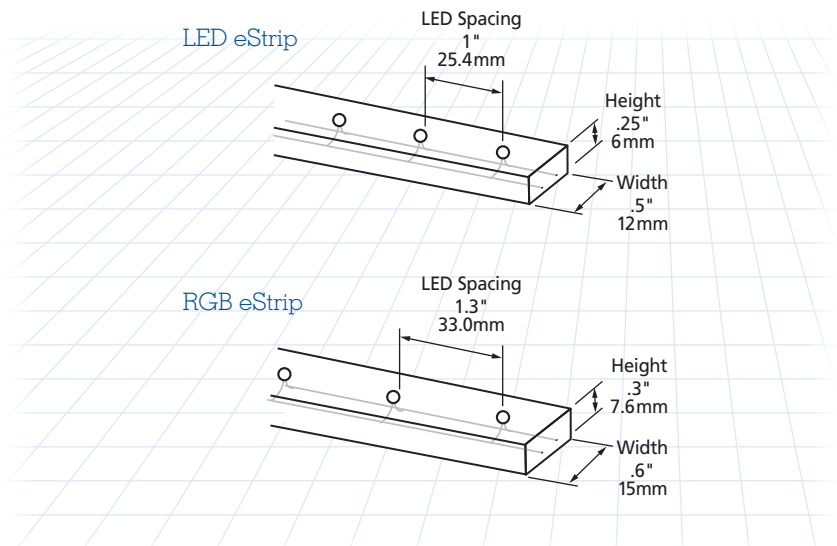


DIMMABLE!

LED eSTRIP (eSTRIP) is an indoor / outdoor flexible light strip that is an economical alternative to neon. Made with ultra bright 3014 type LEDs encased in a durable PVC flexible extrusion, eSTRIP provides a clean neon look at a fraction of the price and 1/10th the energy consumption. LED eSTRIP is ETL approved and is **fully field cuttable** making it very simple to install. A variety of mounting accessories and power supplies further enhance ease of installation. Safe 24 Volt operation and low energy consumption make eSTRIP a very practical product.

Features

- ✓ 40,000 hour life
- ✓ Safe low voltage (24V)
- ✓ Virtually maintenance free
- ✓ Ultra low power consumption
- ✓ Crushproof to 100psi
- ✓ Field cuttable
- ✓ Inter-connectable
- ✓ Highly flexible (min. bend radius 1.5")
- ✓ Indoor/outdoor use
- ✓ Impact resistant
- ✓ Six brilliant colors plus RGB Color Change
- ✓ Dimmable
- ✓ 2 year limited warranty



Applications

- Building outlines
- Coves
- Stairway and aisle lighting
- Signage
- Backlit panels
- Decks
- Edgelit glow
- Emergency lighting
- Pathway lighting
- Billboards
- Highlighting architectural features
- Over/Under cabinets

Specifications

Dimensions	.25" X .5" (6mm x 12mm), .3" x .6" (15mm x 7.6mm) for RGB eStrip
PVC body color	Clear
LED spacing	1" (25.4mm), 1.3" (33mm) for RGB eStrip
Colors	Amber, Red, Blue, Green, Cool White, Warm White, RGB
Voltage	24V DC
Cutting Lengths	6" (152.4mm), 8" (198mm) for RGB eStrip
Power Consumption	0.96 watts/ft, 2.2 watts/ft for RGB and High Power versions
Average LED Life	40,000 hours
Maximum length	90' (27.4 m), 40' (12m) for RGB and High Power version
Min/Max Surface Temperature for Mounting	-40°C – 40°C (-40°F – 104°F)

Color Specifications

Color		Product Code
Amber	590 nm	LES-XX-AM
Red	630 nm	LES-XX-RD
Blue	465 nm	LES-XX-BL
Green	525 nm	LES-XX-GR
Cool White	5800K (± 200K)	LES-XX-CW
Warm White	3000K (± 200K)	LES-XX-WW

Indoor/Outdoor Dimmable Drivers

See page 57 - 58 for driver selection guide and details of use. See page 26 for list of compatible dimming systems.

TRE24L40DC

Max 37.5' (11.4 m)
Min 8 Watts, 8' LED Strip (2.44 m)
6.77" x 2.67" x 1.26" (171 x 68 x 32mm)

TRE24L96DC

Max 90' (27.4 m)
Min 8 Watts, 8' LED Strip (2.44 m)
6.77" x 2.67" x 1.26" (171 x 68 x 32mm)

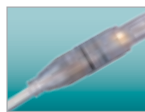
Non Dimmable Drivers

LEDDR-24-120W

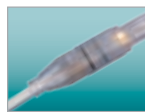
Indoor/Outdoor driver
120W hardware
Max 90' (27.4 m) per single tap
Max 120' (36.5 m) combined 2 secondary taps
Input: 100 - 240V AC
Output: 24V DC
10" x 3 3/8" x 3 3/16" (254 x 85.7 x 80.9mm)

NOTE: For High Power or RGB eStrip, maximum lengths shown must be multiplied by .45 due to higher power consumption.

Accessories Single Channel (including High Power)



LES-001-6BR
1.5' Power connector for burial connections, 1/4" x 1/2" (6mm x 12mm). Comes with end cap.
LES-001-6CL
6' Power connector for through wall connections



LES-001-12BR
12' Power connector for burial connections, 1/4" x 1/2" (6mm x 12mm). Comes with end cap.
LES-001-12CL
12' Power connector for through wall connections



LES-STP-2CL
2' Step cord (shown) for through wall connections
LES-STP-2BR
2' Step cord for burial connections



LES-STP-12BR
12' Step cord (shown) for burial connections
LES-STP-12CL
12' Step cord for through wall connections



LES-FLEX-CL
Step cord (shown) for through wall connections
LES-FLEX-BR
Step cord for burial connections



LMSII-001
Terminal block and junction box for connection to additional lengths of power cable if needed.



LES-BFLN
L type connector, 1/4" X 1/2" (6mm x 12mm)



LES-002
In-Line connector set, male and female, 1/4" X 1/2" (6mm x 12mm)



LES-BFTD
T type connector, 1/4" X 1/2" (6 x 12mm), male connector in bottom



LES-003-2
Cutting end cap, 0.25" X 0.5" (6mm x 12mm)
LES-003-3
Molded end cap (not shown)



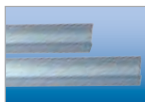
LES-BFTR
T type connector, 1/4" X 1/2" (6 x 12mm), male connector in right or left



LES-005
Wood nail clips, 1/4" X 1/2" (6mm x 12mm)



LES-008
Tie wrap and mounting saddle



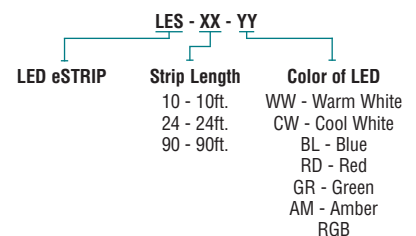
LES-010
4' plastic mounting channel, indoor use
LES-010-S
Predrilled with screws
LES-010-T
With double sided tape

NOT SHOWN: **LES-BFXN** - X type connector, 1/4" X 1/2" (6mm x 12mm)

Call us for complete photometric data.
eStrip is now bright enough for under cabinet applications!



Product Codes





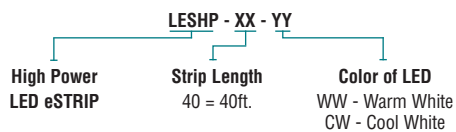
New High Power eStrip with twice the lumen output of our regular eSTRIP!

HIGH POWER eSTRIP is brighter than neon, half the cost and easier to install. It's flexible nature and field cutability make this product easy to maintain and provides a true neon look at a fraction of the installed price of neon. Outdoor rated, dimmable power supplies means no "through wall" wiring when installing. Call us today for a demo of this remarkable product. See specifications on page 6.



See page 6 for specifications.
See page 57 - 58 for driver selection.

High Power eStrip Product Codes





RGB eSTRIP utilizes RGB LEDs allowing you to produce dramatic color change effects for building outlines, architectural features or anywhere eye catching color change display lighting is needed.



RGB eStrip Accessories



LES-BTFN
Female connector



LES-BTMN
Male connector



LES-BTSN
In line connector



LES-BTMC-XX
Power connector (XX = 1.5' or 6')



LTP-001-OD-6FT
72" Power feed connector for connection to outdoor signal amplifier



LES-BTMC-G4-SI
Signal in connector for RGB eStrip connection to outdoor signal amplifier



LES-BTMC-G4-SO
Signal out connector for RGB eStrip connection to outdoor signal amplifier



LES-STCN
Cutting end cap



LES-STFN
Female end cap



LES-STPV-T
Polycarbonate U-channel (1M)



LES-SNPT
Wood nail clips, 1/4" X 1/2" (6mm x 12mm)



LES-C-6
Tie wrap



LES-MX-1
Allen key



TCJ-E06
6' (1.8m) Extension cord
TCJ-E30
30' (9.1m) Extension cord

See specifications on page 6.
See page 57 - 58 for specifications and driver selection.
See page 59 for complete list of control options.

RGB eStrip Product Codes

