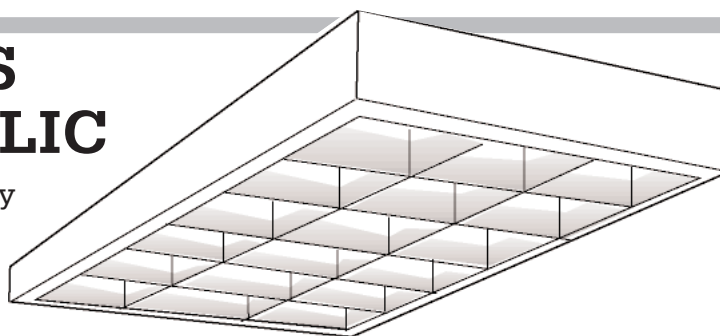
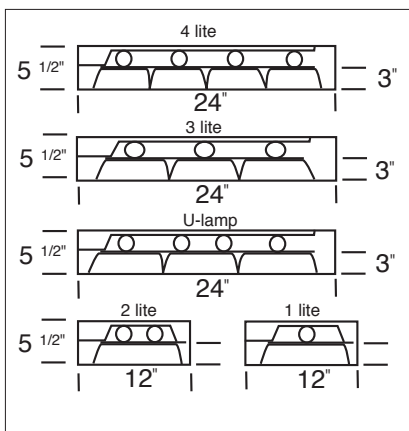


PLYMOUTH SERIES SURFACE PARABOLIC

Solid sided surface module with a variety of sizes and lamps containing deep cell parabolic louvers for maximum low brightness illumination.



Dimensional Data



Specifications

Construction: Housing die formed of 20 gauge cold rolled steel and spot welded to insure uniformity and stability. Meets NYC code requirements.

Finish: All metal parts are thoroughly cleaned and treated to prevent rust and deterioration with a phosphate coating applied automatically in a five-stage process. Surfaces are electrostatically sprayed with high quality white enamel for maximum reflectance.

Louver: Large cell semi-specular anodized aluminum 3" deep parabolic louvers are precision mitered, rigidly interlocked to maintain parabolic contours assuring a high visual comfort probability (VCP) rating. Louver hinges from either side without use of tools.

Wiring: Standard voltage is universal voltage (UV)

Approval: All units are Underwriter's Laboratories (UL) approved.

Ordering Information

Catalog #	Lamp	Size	Catalog#	Lamp	Size	No/Cells
T5 ELECTRONIC			ELECTRONIC OCTRON T8			
PLM14254AL8	2-FP54T5HO	1X4	PLM14240AL8EBO	2-F32T8	1X4	8
PLM22314AL9	3-FP14T5	2X2	PLM22240UAL9EBO	2-F31T8/6"	2X2	9
			PLM2228UAL9EBO	2-F31T8 15/8"	2X2	9
			*PLM2238UAL9EBO	3-F31T8 15/8"	2X2	9
			PLM22240UAL16EBO	2-F31T8/6"	2X2	16
PLM22414AL16	4-FP14T5	2X2	*PLM22420AL16EBO	4-F17T8	2X2	16
PLM24254HOAL12	2-FP54T5HO	2X4	PLM24240AL12EBO	2-F32T8	2X4	12
PLM24354HOAL18	3-FP54T5HO	2X4	*PLM24340AL18EBO	3-F32T8	2X4	18
PLM24454HOAL32	4-FP54T5HO	2X4	*PLM24440AL32EBO	4-F32T8	2X4	32
*Standard Unit – single ballast – for dual switching add suffix "/2" Example: PLM24340AL18EBO/2						

Accessories Add Suffix

DIM	Dimming Ballast	FS	External Fuse and Holder
REF	Internal Polished Aluminum	REF	Internal Polished Aluminum Reflector
EM	Emergency Ballast (1 lamp)	REFS	Internal Specular Silver Reflector
* EM/2	Emergency Ballast (2 lamp)		
RFI	Radio Interference Filter		* Consult Factory for Ballast Compatibility

Photometrics: Photometric Information available upon request.

