

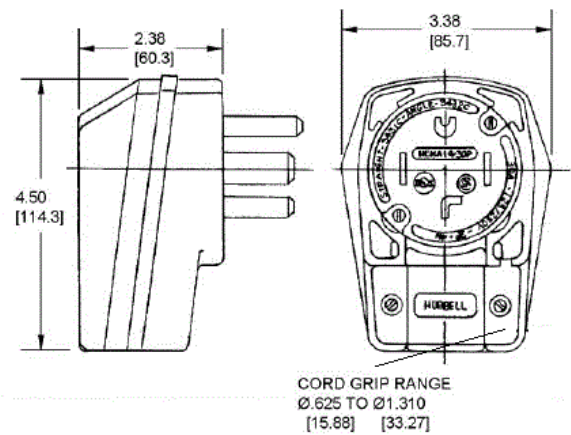
Straight Blade Devices
50A, 125/250V, 3 Pole, 4 Wire Grounding
Plug

HUBBELL



Ordering Information

| Description | Cord Diameter | UPC | Catalog Number |
|-----------------------------------|-----------------------------|--------------|----------------|
| Plug, nylon, angle, 4-position | .625"-1.310" (15.9-33.3) | 783585015330 | HBL9452C |



Resources

[Customer Use Drawing](#)
[eCatalog](#)

Dimensions in Inches (mm)

Hubbell Wiring Device-Kellems • Hubbell Incorporated (Delaware) • 40 Waterview Drive • Shelton, CT 06484

Phone (800) 288-6000 • Fax (800) 255-1031 • Specifications subject to change without notice.

