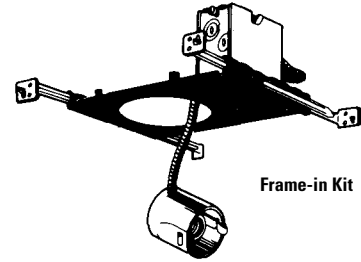
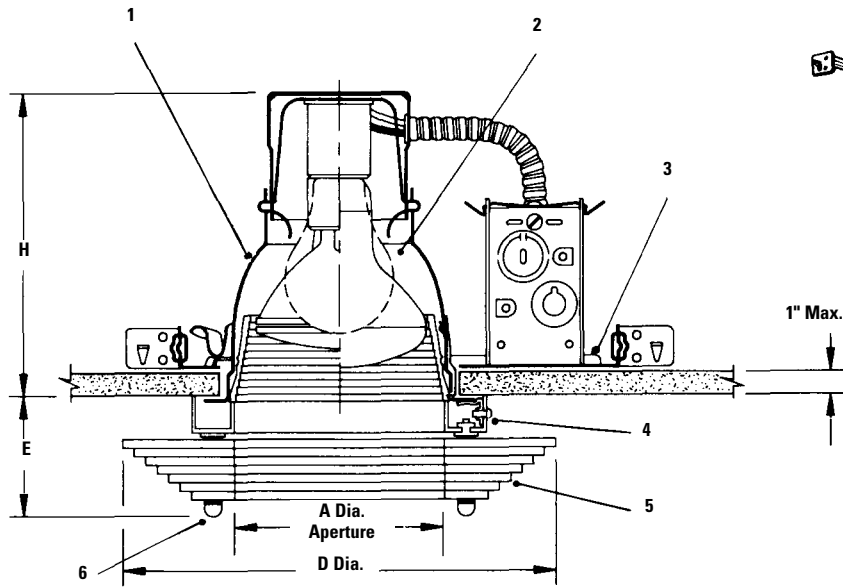
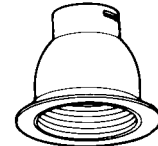


Lytecaster Recessed Downlighting **1310**



Frame-in Kit



Reflector Trim



Lytegem

Complete fixture consists of Frame-In Kit, Reflector, and Lytegem.

Lytegems Catalog No.	Use with Reflector Trims	Use With Frame-In Kit	Lamps	Dimensions			
				D	E	H	A
1310 Clear 	2005 2005WH	2000LV, 2000LVR	50W MR16	7 9/16"	2 15/16"	5 1/2"	3 3/8"
		2000LVNT	42W MR16			5 3/8" for LV F.I.K.	
		2002P1 2003R*	40W A19 (60W A19)* 50W R20, PAR20 75W PAR16				
		2008 2013 2010 2013BK 2012 2013WH	2002P1 2003R*	40W A19 (60W A19)* 50W R20, PAR 20 75W PAR16	7 9/16"	2 15/16"	6 3/4" 7 5/16" for IC, F.I.K.
1410 Clear 	1005 1012	1002P1, 10000IC	65W BR30 (85W BR30)*	9 1/2"	2 1/2"	7"	4 5/8"
	1005WH 1013	1000ICM, 1000AICM	75W A19, PAR30			7 5/16" for IC, F.I.K.	
	1008 1013BK	1003R*	†40W A19 in IC Kits				
	1010 1013WH	1002F Series	13W Quad Tube				
	1027 1038	1002P1, 1000IC	50W PAR20				
	1027BK 1048	1000ICM, 1000AICM	75W PAR16, PAR30				
	1027WH	1003R					
	1055LV 1063LV 1055WHLV 1064LV 1056LV	1000LV, 1000ICV	75W MR16 †35W MR16, (ICV)	9 1/2"	2 1/2"	6 5/8" 7 5/16" for IC F.I.K.	4 5/8"
	1000LVNT	65W MR16					

Features

- Reflector Trim:** (See Reflector Trim Specification Sheet.)
- Lamp:** See Reflector Trim Specification Sheet and above.
- Frame-In Kit:** (See Frame-In Kit Specification Sheet.)
- Die-Cast Collar:** Matte black.
- Lightgem:** 3/16" thick soda lime tiered stacked glass.
- Brass Knob**

Lighting Data

Provided for matte black step baffle only.

Mechanical

Mounted to reflector trim flange by (2) split rings and (2) screws provided.

Finish

Painted finish baked enamel.

Labels

UL (Suitable for Damp Locations), I.B.E.W.

Job Information

Type:

Job Name:

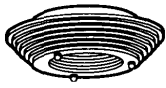
Cat. No.:

Lamp(s):

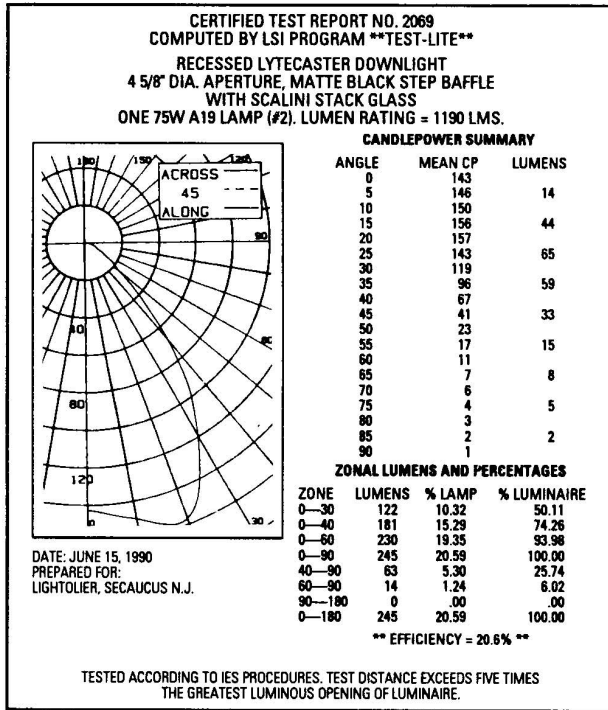
Notes:

Lightolier a Genlyte Thomas Company www.lightolier.com
 631 Airport Road, Fall River, MA 02720 • (508) 679-8131 • Fax (508) 674-4710
 We reserve the right to change details of design, materials and finish.
 © 2002 Genlyte Thomas Group LLC (Lightolier Division) • C0902

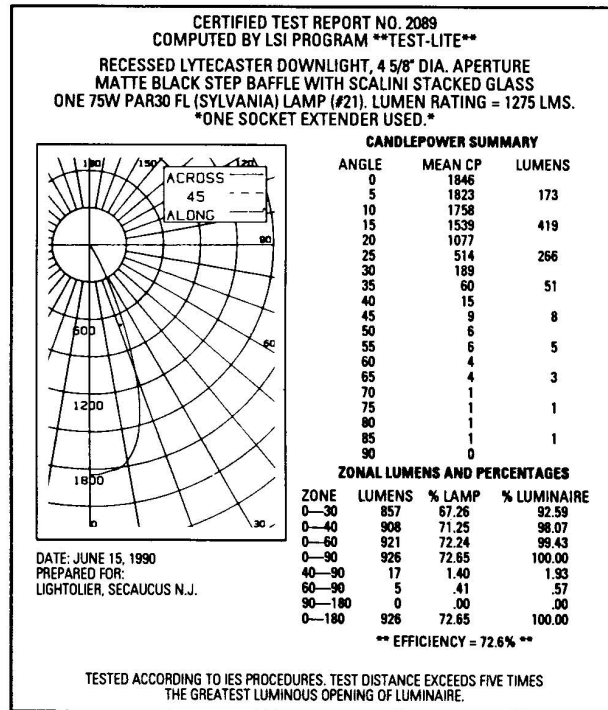
LIGHTOLIER®



SPACING RATIO = 1.2



SPACING RATIO = 0.7



COEFFICIENTS OF UTILIZATION

% EFFECTIVE CEILING CAVITY REFLECTANCE

ROOM CAVITY RATIO	% EFFECTIVE CEILING CAVITY REFLECTANCE															
	80			70			50			30			10	0		
	50	30	10	50	30	10	50	30	10	50	30	10	50	30	10	0
1	.23	.22	.22	.22	.22	.21	.21	.21	.21	.20	.20	.20	.20	.20	.19	.19
2	.21	.20	.19	.21	.20	.19	.20	.19	.19	.19	.19	.18	.19	.18	.18	.18
3	.19	.18	.17	.19	.18	.17	.19	.18	.17	.18	.17	.17	.18	.17	.16	.16
4	.18	.17	.16	.18	.17	.16	.17	.16	.16	.17	.16	.15	.16	.16	.15	.15
5	.17	.15	.14	.16	.15	.14	.16	.15	.14	.16	.15	.14	.15	.15	.14	.14
6	.15	.14	.13	.15	.14	.13	.15	.14	.13	.15	.14	.13	.14	.13	.13	.13
7	.14	.13	.12	.14	.13	.12	.14	.13	.12	.14	.13	.12	.13	.12	.12	.11
8	.13	.12	.11	.13	.12	.11	.13	.12	.11	.13	.12	.11	.12	.12	.11	.10
9	.12	.11	.10	.12	.11	.10	.12	.11	.10	.12	.11	.10	.12	.11	.10	.10
10	.11	.10	.09	.11	.10	.09	.11	.10	.09	.11	.10	.09	.11	.10	.09	.09

20% FLOOR CAVITY REFLECTANCE

Conversion Factors: 1005: 13W DTT, C.U. x 0.7. 2005: 40W A19, C.U. x 0.4.

COEFFICIENTS OF UTILIZATION

% EFFECTIVE CEILING CAVITY REFLECTANCE

ROOM CAVITY RATIO	% EFFECTIVE CEILING CAVITY REFLECTANCE															
	80			70			50			30			10	0		
	50	30	10	50	30	10	50	30	10	50	30	10	50	30	10	0
1	.82	.81	.80	.81	.80	.79	.78	.77	.76	.75	.75	.74	.73	.72	.72	.71
2	.79	.77	.75	.78	.76	.74	.75	.74	.73	.73	.72	.71	.72	.71	.70	.69
3	.76	.74	.72	.75	.73	.71	.73	.72	.70	.72	.70	.69	.70	.69	.68	.67
4	.73	.71	.69	.73	.71	.68	.71	.69	.68	.70	.68	.67	.69	.67	.66	.65
5	.71	.68	.66	.70	.68	.66	.69	.67	.65	.68	.66	.65	.67	.66	.64	.63
6	.69	.66	.64	.68	.66	.64	.67	.65	.64	.67	.65	.63	.66	.64	.63	.62
7	.67	.64	.62	.66	.64	.62	.65	.63	.62	.65	.63	.61	.64	.62	.61	.60
8	.65	.62	.60	.64	.62	.60	.64	.61	.60	.63	.61	.59	.62	.61	.59	.58
9	.63	.60	.58	.62	.60	.58	.62	.59	.58	.61	.59	.58	.61	.59	.57	.57
10	.61	.58	.56	.61	.58	.56	.60	.58	.56	.60	.58	.56	.59	.57	.56	.55

20% FLOOR CAVITY REFLECTANCE

Conversion Factors: 1005: 75W R30, C.U. x 0.6. 1065: 50W MR16 FL, C.U. x 0.9. 2005: 50W PAR20 FL, C.U. x 0.8. 75W PAR16 NFL, C.U. x 0.9. 50W R20, C.U. x 0.7.

To convert lighting data for a lower wattage incandescent lamp of the same type, multiply the footcandle (or candlepower) values by the ratio of the lumens of the two lamps. The coefficients of utilization remain the same.

Job Information

Type:

Lightolier a Genlyte Thomas Company www.lightolier.com
631 Airport Road, Fall River, MA 02720 • (508) 679-8131 • Fax (508) 674-4710
We reserve the right to change details of design, materials and finish.
© 2002 Genlyte Thomas Group LLC (Lightolier Division) • C0902

LIGHTOLIER®