

TERRALUX

TLM-L04B | TLM-L06B | TLM-L08B

4", 6" or 8" LED Retrofit Modules for Wall Packs, Step Lights and more



FEATURES

- ✓ Fast, easy installation – provides energy savings to 80%
- ✓ Light output: 4" to 568 lm, 6" to 825 lm, 8" to 1069 lm
- ✓ Efficacy: up to 96 lm/W delivered
- ✓ CCT: 2700K, 3000K, 3500K, 4000K or 5000K
- ✓ CRI: >80 at all CCTs
- ✓ Lumen Maintenance: L70 >60,000 hours
- ✓ Patents: 7,777,430; 8,400,081; D687,581; Additional Pending

SPECIFICATION



APPLICATION

Fully integrated, self-contained LED retrofit module installs quickly and easily into commercial-grade, surface mounted or recessed mounted wall packs, step lights, wall sconces or ceiling fixtures by others. Replaces CFL or incandescent sources, providing up to 80% energy savings.

MOUNTING

Provided with thermal mounting pad (UL registered component), two (2) straight mounting brackets and two (2) offset mounting brackets. Mounting hardware and wire nuts included.

LED

Provided with high efficiency Nichia® LED chips. Color variation no greater than 3-step MacAdam Ellipses.

DRIVER

Provided with LED driver designed and manufactured by TERRALUX. The driver includes LEDSENSE® thermal fold-back, allowing maximum light output in any environment while assuring long-term

reliability. Advanced electronics continuously monitor temperatures to ensure LED power does not exceed limits tested by the LED manufacturer to yield no less than 70% of initial light output after more than 60,000 hours of operation.

ENVIRONMENTAL

Functions normally within an operating temperature range of -40° C. to 55° C. (-40° F. to 131° F.) at 0 to 95% relative humidity.

PERFORMANCE

Provides color quality =/≥80 CRI and maintains 70% lumen output at more than 60,000 hours per IES TM-21-11, based on the LED manufacturer's measurement per IES LM-80-08 @ 10,000 hours. To be extended as additional data becomes available.

REGULATORY COMPLIANCE

LED retrofit kit includes the following regulatory and compliance approvals: DLC (TLM-L08, 5000K non-dimming model with clear lens used in wall packs only); ENERGY

STAR® 2.0 – Luminaires (except TLM-L04, 2700K); UL 1598C Classified LED Retrofit Kit – damp locations; IP65; CSA Standard C22.2 No. 250.0-08; (120V) FCC Part 15, Unintentional Radiators Class A; (100-277V) FCC Part 15, Unintentional Radiators Class B; (100-277V) ENEC License ENEC-00404 – tested according to EN 62031:2008 (Ta 55° C. Tc 85° C.); RoHS.

QUALITY & RELIABILITY

Designed and manufactured within an ISO 9001:2008 certified Quality Management System. Product design validated by Reliability Prediction analysis, based on Telcordia SR-332 Ed. 3. Demonstrated Mean Time Between Failure (MTBF) >3.4 Million hours with a 90% confidence level, which equates to an annual failure rate (AFR) of <0.25%.

WARRANTY

5-year limited warranty. Complete warranty terms located at <http://terralux.com/terralux-warranty/>

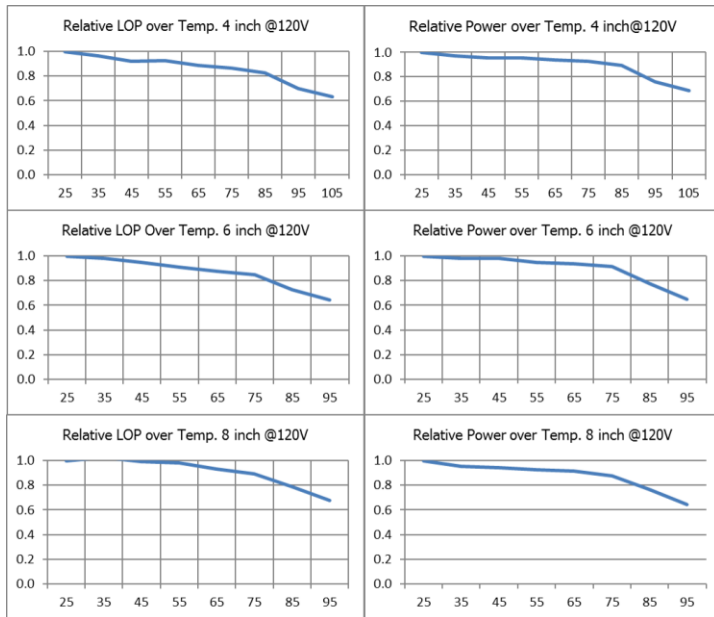
MODEL & OPTIONS



MODEL	DRIVER	LIGHT OUTPUT	CCT	LIGHT DISTRIBUTION	OPTIONS
TLM-L04B = 4" model	A = 120V, phase dimming	04 = 4" 400 lm range	27 = 2700K	12 = Diffuse	0 = None
TLM-L06B = 6" model	B = 120/277V, 0-10V dimming	06 = 6" 600 lm range	30 = 3000K		
TLM-L08B = 8" model	C = 100/240V (ENEC), phase dimming	08 = 8" 800 lm range	35 = 3500K		
	D = 120/277V (UL), non-dimming		40 = 4000K		
			50 = 5000K		

PERFORMANCE

TLM-L04B TLM-L06B TLM-L08B															
Color Temperature (CCT)	2700K			3000K			3500K			4000K			5000K		
CRI Minimum [typical]	80 [82]														
Length	4"			6"			8"			4"			6"		
Light Output [lumens]	4"			6"			8"			4"			6"		
120V model	478	699	885	499	729	940	539	789	986	567	796	1020	568	825	1069
100-277V model	402	560	756	407	575	808	450	607	879	478	623	886	478	656	886
Power [watts]	4"			6"			8"			4"			6"		
120V model*	7.70	10.10	12.60	7.70	10.10	12.60	7.70	10.10	12.60	7.70	10.10	12.60	7.70	10.10	12.60
100-277V model @ 120V	5.00	6.90	10.20	5.00	6.90	10.20	5.00	6.90	10.20	5.00	6.90	10.20	5.00	6.90	10.20
Efficacy [lm/W]	4"			6"			8"			4"			6"		
120V model	62	69	70	65	72	75	70	78	78	74	79	81	74	82	85
100-277V model @ 120V	80	81	74	81	83	79	90	88	86	96	90	87	96	95	87



NOTES

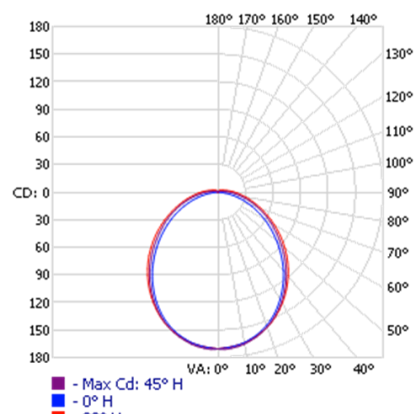
Tested by third party per IESNA-LM79-08.

All specifications subject to tolerance of ± 10%.

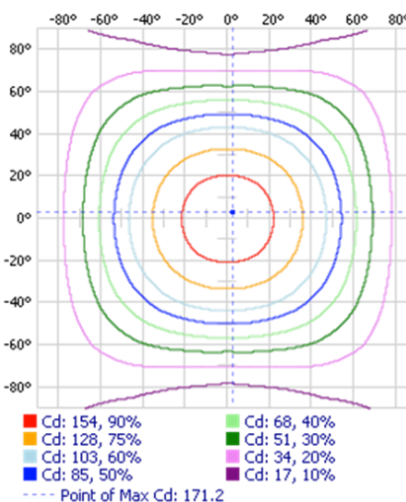
Typical performance @ 25° C. heatsink temperature, Tc. See **Relative Light Output vs. Temperature** (left) for the effect of LEDSENSE® thermal fold-back on light output at various operating temperatures

PHOTOMETRY

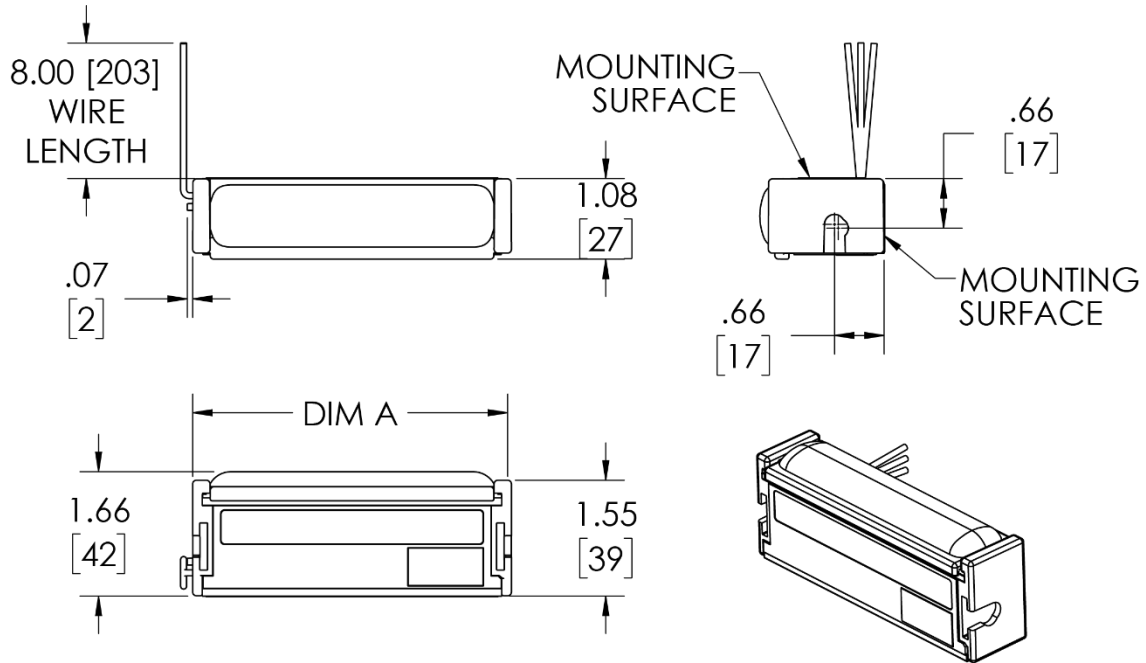
Polar Candela Distribution



Isofootcandle Plot



DIMENSIONS



MODULE	DIM A
4"	4.26 [108]
6"	6.26 [159]
8"	8.26 [210]

LINEAR MODULE DIMENSIONS

