

# LED-8090M 120W LED for HID Retrofit for Shoebox/Wallpack

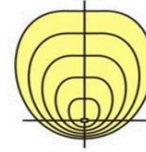
**LED** for **HID**  
**RETROFIT**

## Models

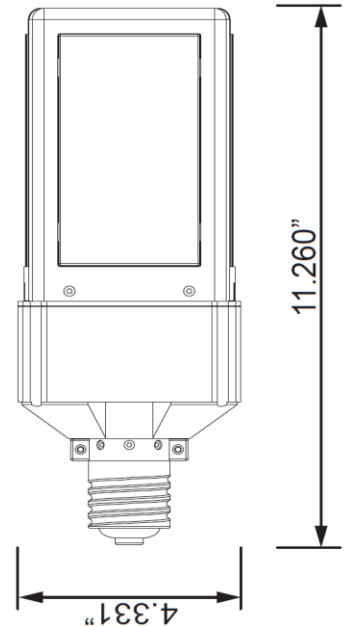
LED-8090MXT4, 120-277VAC, ULus, 4000K or 5000K CCT, E39  
LED-8090MXC4, 120-347VAC, cUL, 4000K or 5000K CCT, E39

## Features

- > 120W LED Replaces 400W MH or HPS HID Lamps
- > Rotatable base enables user to accurately direct output to target
- > Designed for Horizontal installations
- > UL approved for damp environments and enclosed fixtures
- > Advanced active cooling: Active cooling and dynamic temperature control
- > 50,000 hour rated LED life (supported by LM80 and ISTMT reports (see website)
- > 5 Year Limited Warranty - see website for details



Type IV

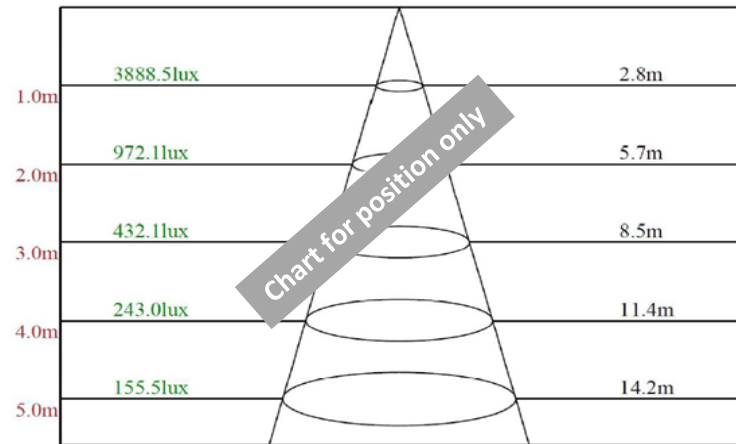


## Technical Specifications

Models US/CAN	LED-8090MAT4/ LED-8090M4C4C	LED-8090MST4/ LED-8090M5C4
CCT	4000K	5000K
Power Consumption	120 watts	
Replaces	400 MH/HPS	
Mounting	E39	
Voltage	120-277VAC (USA) 120-347VAC (CANADA)	
LED Type	CREE XTE	
Beam Angle	Type III	
Dimmable	No	
Operating Temp	-40°F - +122°F	
Rated R70 Life	Up to 50,000 Hrs.	
Warranty	5 Year Limited*	
<b>LM79 Specifications</b>	<b>Yes</b>	<b>Yes</b>
Power (W)	120	120
CCT	4144	5000
Light Output	9591	10434
Efficacy	81.49	92.28
THD @ 277V	18.86%	19.23%
PF @ 277V	0.918	0.918
CRI:	84.6	69.5
R9	18	0
Duv	0.0008	0.0063
<b>Packaging</b>	9 / Master Carton	
Unit	6.6"x 6.6"x 12.9" 2.9lbs.	
Master	20.7"x 18.5" x 13.8" 25.5 lbs.	



## Lux Distance Curve



Beam angle of C90plane109.74

LED Power Consumption (Watts)	HID Power Consumption (Watts)	HID Ballast Power Consumption (Watts)	Total Savings (Watts)	Annual Energy Savings (14 hrs/day)	Lifetime Energy Savings (over 50,000 hrs)
120	400	80	360	\$202	\$1,980.00

Mounting Orientation			Minimum Fixture Size Requirements (inches)	
Base Up	Base Down	Horiz	Length	Width
			13.26	6.33
Approved	Approved	Approved	Height	6.33
			Cu. Inches	531.3