



(Fan with Dual Speed - 110 CFM)



Full Speed:
110 CFM/<0.3 Sones @ 0.1 SP, 12.7 Watts
96 CFM/1.2 Sones @ 0.25 SP, 15.6 Watts

Low Speed:
60 CFM/<0.3 Sones @ 0.1 SP, 6.2 Watts
56 CFM/0.4 Sones @ 0.25 SP, 10.8 Watts



Most Efficient
2014
www.energystar.gov



Description

Low noise ceiling mount ventilating fan with dual speed rated for continuous running. Fan has been awarded ENERGY STAR® Most Efficient in 2014. It is HVI, UL, and cUL certified, and can be used to comply with ASHRAE 62.2 (local and whole building continuous and intermittent operation). Meet CA Title 24 requirements.

Motor/Blower

- Power rating of 120 volts/60Hz
- DC brushless motor engineered to run continuously
- Motor equipped with thermal cutoff fuse
- Removable with permanently lubricated plug-in motor

Housing

- Galvanized steel body
- Detachable 4" diameter metal duct adapter
- Built-in backdraft damper
- Easy installation with expandable extension bracket

Grille

- Attractive design using ABS material
- Attaches directly to housing with torsion springs

LED Indicator

- Green and amber LED indicator lights show continuous low speed and full speed modes

Warranty

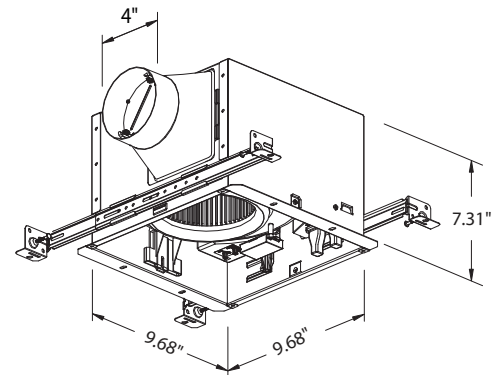
- 3-year limited warranty

Features

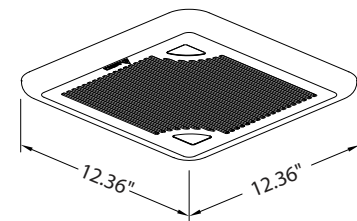
- Adjustable low speed airflow and delay time
- For ceiling mount only, airflow of 110 CFM (±10%), and <0.3 Sones at 0.1" static pressure
- Power consumption approximately 12.7 Watts with an efficiency rating approximately 8.7 CFM/Watt at 0.1" static pressure
- UL and cUL listed for tub/shower enclosure when used with GFCI-protected branch circuit wiring

DC Motor Technology

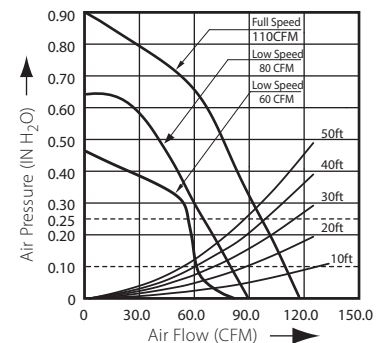
- Allows fan to operate in full speed mode or continuous low speed mode by manual switch
- For continuous low speed mode, the fan runs continuously at a user-preset lower level (0, 60, 80 CFM)
- User-preset delay time positions (0.5, 5, 15, 30, 45, 60)
- Built-in soft start function to increase bearings' life
- Automatically powers off when impeller is locked abnormally



Built-in Controls



Fan Curve



BreezSignature SIG110D	Continuous low speed				Full speed	
	0.1	0.25	0.1	0.25	0.1	0.25
Static Pressure (inches w.g.)	0.1	0.25	0.1	0.25	0.1	0.25
Air Flow (CFM)	60	56	80	65	110	96
Sones	<0.3	0.4	<0.3	0.5	<0.3	1.2
Power Consumption (Watts)	6.2	10.8	8.2	10.8	12.7	15.6
Energy Efficiency (CFM/Watt)	9.9	5.3	9.8	6.0	8.7	6.2
Current (Amps)	0.38 Max					
Power Rating (V/Hz)	120/60					

Model	Quantity	Comments	Project:
			Location:
			Architect:
			Engineer:
			Contractor:
			Submitted by:
			Date: