

DESCRIPTION

The EUX series exits are designed for architectural excellence and minimal presence. The ordering and installation processes are greatly simplified as all housing and lens alternatives are included. Fixture options include housing color, red or green letters and Eagle Eye self-diagnostics. Long life LED electronics coupled with nickel cadmium battery technology greatly reduces maintenance.

Sure-Lites

Catalog #		Type
Project		
Comments		Date
Prepared by		

SPECIFICATION FEATURES

Electronics

- Dual Voltage Input, 120/277 VAC, 60 Hz
- EZ key external battery disconnect
- 10°C to 40°C (50°F to 104°F) operating range
- Eagle Eye Self-Diagnostic System option
- Long life LED light source
- Fully recharged in 24 hours
- Solid-state Voltage Limited Charger
- Solid-state Switching
- Brownout Circuit
- Low-Voltage Disconnect
- Overload/Short Circuit Protection
- Test Switch/Power Indicator Light
- Photocell Test Switch (requires accessory laser for activation)

Battery

- Sealed nickel cadmium
- Maintenance free
- 24 hour full recharge time

Housing Construction

- All aluminum housing
- All mounting options are standard: surface, recessed, end, ceiling and wall
- Available in brushed aluminum, white or black
- Halo Got Nail hangar bars included for recessed applications
- Convenient 1/2" knockouts on top and end of fixture

Trim/Lens

- High impact acrylic panel
- Available with red or green letters
- Single and double sided lenses included

- Clear, mirror insert and white insert options included
- Field installed and NFPA 101 compliant chevron directional indicators included
- No Tools required for "snap in" installation
- Pre-specified chevron lens kits available for an enhanced aesthetic.

Code Compliance

- UL 924 listed
- Life Safety NFPA 101
- NEC/OSHA

Warranty

- Fixture: 5-year
- Battery: 7-year pro-rata



EUX SERIES

EDGE LIT EXIT
 SELF POWERED EMERGENCY
 LED LAMPS
 UNIVERSAL EXIT
 EXIT LIGHTING

ORDERING INFORMATION

SAMPLE NUMBER: EUX6R

Series	Lens Color	Housing Finish	Self-Diagnostics
EU6 =AC Only LED	R =Red	_ =Brushed Aluminum	_ =None
EU7 =Self-Powered LED	G =Green	WH =White	SD =Self-Diagnostics (Self-Powered Only)
EUFAI =Fire Alarm Interface Module		BK =Black	

ENERGY DATA

LED Exits - Red

Input Power:
 120V = 0.9W
 277V = 1.1W

Input Current (Max.):

120V = 0.08A
 277V = 0.08A

Power Factor:

120V = 0.11
 277V = 0.08

LED Exits - Green

Input Power:
 120V = 1.3W
 277V = 1.5W

Input Current (Max.):

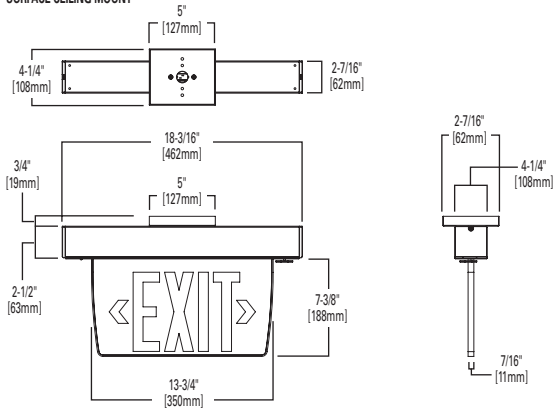
120V = 0.08A
 277V = 0.08A

Power Factor:

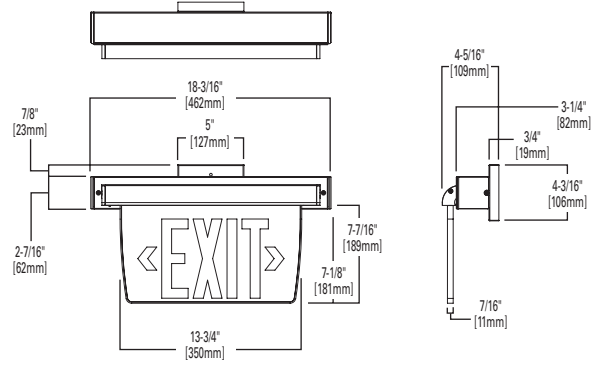
120V = 0.2
 277V = 0.1

DIMENSIONS

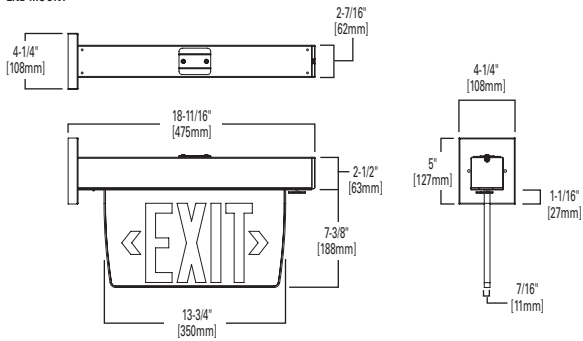
SURFACE CEILING MOUNT



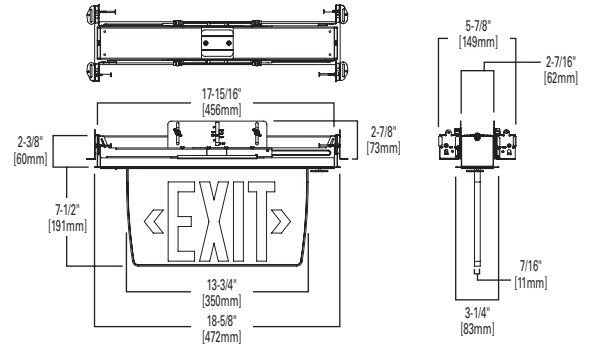
SURFACE WALL MOUNT



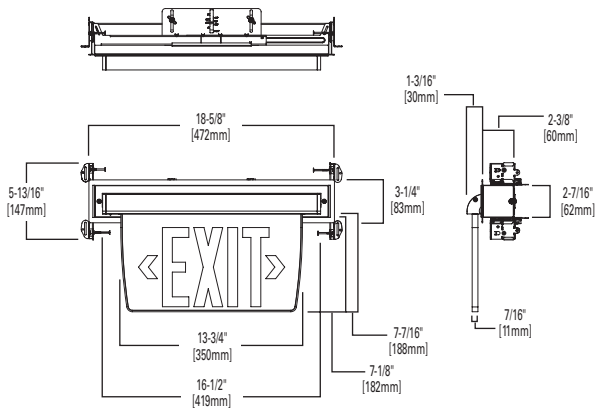
END MOUNT



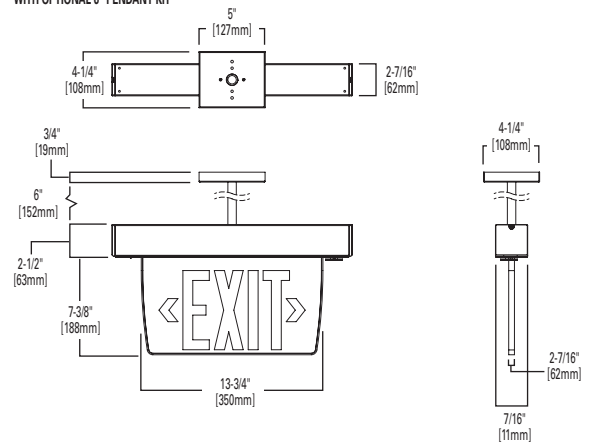
RECESSED CEILING MOUNT



RECESSED WALL MOUNT



WITH OPTIONAL 6" PENDANT KIT



TECHNICAL DATA

Lamps

Optimized for energy efficiency and aesthetic appearance, the EUX series Exit uses super bright, long life LED lamps to illuminate the exit lens.

Housing

Die cast and extruded aluminum housing that mounts in any application. Available in white, black or brushed aluminum finishes. Housing has conduit knockouts on top and side for easy AC wiring connections. Fully adjustable Halo Got Nail hangar bars make recessed installation easy. EUX is fully compatible with grid or hard ceilings as well as 2 x 4 wall constructions.

Trim/Lens

The EUX lens kit is truly universal and includes the materials needed to field construct all options. The high-impact, clear acrylic lens panel comes with three pieces to allow configuration of single or double sided options on the job site. In addition to the clear option, both mirror and white inserts are standard, along with NFPA 101 compliant chevrons. The lens installation requires no tools and snaps easily into place.

Pre-specified chevron lens kits (arrow right/left, double arrow) are also available as an option. This kit also includes white and mirror inserts, is fully NFPA compliant and requires no tools for installation.

EZ Key Power Disconnect (self-powered only)

The Patented EZ key is an external battery disconnect that allows the product to be shipped with the battery connected internally. This prevents battery drain during the construction cycle to insure that the battery isn't damaged and is fully charged for inspection. EZ Key also saves the labor of internally connecting the battery after construction is complete.

Solid-State Charger (self-powered only)

Supplied with a 120/277 VAC, voltage regulated solid-state charger. Immediately upon

restoration of AC current after a power failure, the charger provides a high charge rate. Solid-state circuitry recharges the battery following a power failure in accordance with UL 924.

Brownout Circuit (self-powered only)

The brownout circuit on Sure-Lites' exits monitors the flow of AC current to the exit and activates the emergency lighting system when a predetermined reduction of AC power occurs. This dip in voltage will cause most ballasted fixtures to extinguish causing loss of normal lighting even though a total power failure has not occurred.

Solid-State Transfer (self-powered only)

The EUX Series exit incorporates solid state switching which eliminates corroded and pitted contacts or mechanical failures associated with relays. The switching circuit is designed to detect a loss of AC voltage and automatically energizes the LED lamps. Upon restoration of AC power, the emergency circuit will switch off and the charger will automatically fully recharge the battery within 24 hours.

Test Switch/Power Indicator Light (self-powered only)

Conveniently located combination Test Switch/Power Indicator Light allows for manual verification of proper operation of the transfer circuit and emergency lamps.

Photocell Test Switch

Allows verification of proper operation of the transfer circuit and emergency lamps with a laser pointer (laser is sold as an accessory). The emergency lamps will test for 30 seconds when activated.

Eagle Eye™ Self-Diagnostics

The Eagle Eye self-diagnostic software will automatically perform all tests required by UL924, and NFPA101. The system indicates the status of the emergency light at all times using the LED indicator. A 90 minute battery power

(emergency mode) simulation test will occur once every 12 months. A 30 second battery power simulation test will occur every 30 days. The Solid-State microprocessor based system has the ability to accurately detect and warn of system failures, plus it incorporates all of the standard electronic features that sets Sure-Lites apart from its competition. Eagle Eye self diagnostic software automatically performs all testing required by the NFPA 101 Life Safety Code and systematically calibrates itself in the field, reducing installation labor and eliminating manual calibration errors.

Sealed Nickel Cadmium Battery (self-powered only)

Sure-Lites sealed nickel cadmium batteries are maintenance-free with a life expectancy of 7 years. The sealed rechargeable nickel cadmium battery offers high discharge rates and stable performance over a wide range of temperatures.

Warranty

All Sure-Lites' products are backed by a firm five-year warranty against defects in material and workmanship. Maintenance-free, longlife, sealed nickel cadmium batteries carry a seven-year pro-rata warranty.