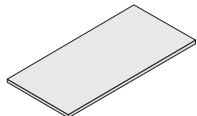
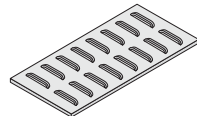
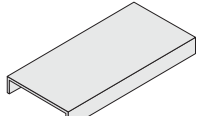
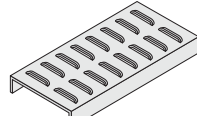
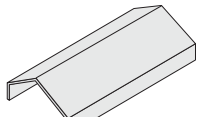





PW Cable Tray Ladder, Trough & Solid Bottom

Metallic — Covers & Cover Connectors

Covers protect and contain cables. They are highly recommended to avoid damage to the tray contents and to protect against the elements. Covers can also be attached to the tray with hinges; please contact Legrand/Cablofil for more information.

SOLID COVERS	LOUVERED COVERS
<p>FLAT, NON-FLANGED</p> 	<p>FLAT, NON-FLANGED</p> 
<p>FLAT, FLANGED*</p> 	<p>FLAT, FLANGED*</p> 
<p>PEAKED 15°, FLANGED†</p> 	<p>* Flange is 3/8" wide. † 15° is standard angle for peaked covers. Flange is 3/8" wide.</p>

MATERIAL	FLANGE IN	1" FLANGE OUT	1 3/4" FLANGE OUT
			
COVER SYSTEM NUMBER			
SOLID, FLAT — NON-FLANGED			
A	5061	5137	5067
M	2002	2003	2067
L	3002	3109	3038
T	3042	3110	3039

SOLID, FLAT — FLANGED			
A	5060	5136	5066
M	2000	2001	2066
G	1000	1001	1066
L	3000	3049	3036
T	3005	3090	3029

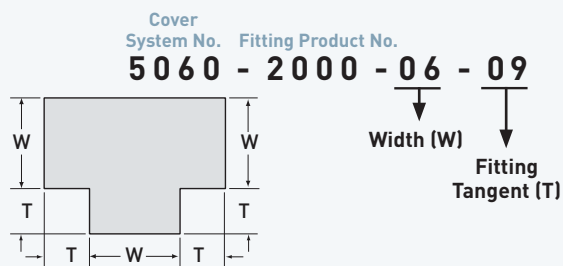
SOLID, PEAKED 15° — FLANGED			
A	5164	5180	5165
M	2140	2142	2114
G	1140	1142	1114
L	3128	3130	3131
T	3017	3115	3040

LOUVERED, FLAT — NON-FLANGED			
A	5003	5147	5085
M	2006	2004	2112
L	3050	3018	3117
T	3041	3116	3112

LOUVERED, FLAT — FLANGED			
A	5006	5145	5071
M	2007	2005	2104
G	1007	1005	1104
L	3070	3118	3003
T	3076	3119	3113

SQUARE CORNER COVER CATALOG NUMBERING EXAMPLE:

Square-corner fittings require special covers with a unique numbering system. See page 22 for square corner fitting options.



Widths (W)

6	9	12	18	24	30	36	in
---	---	----	----	----	----	----	----

Rail Heights (H)

4	5	6	7	in
---	---	---	---	----

COVER CATALOG NUMBERING EXAMPLE:

Side Rail Height*	Cover System No.	Length or Fitting Product No.	Width	Fitting Tangent	Cover Thickness	Standards:
40 - 4"	60	5060	0012	-36	02	A
50 - 5"						G
60 - 6"						M L T
70 - 7"						

* Side rail height necessary for outside vertical fitting covers.
** Standard length for steel covers hot-dip galvanized after fabrication per ASTM-A-123 is 6'-0".

Length: 0006** - 6', 0010 - 10', 0012 - 12', or **9224**
Fitting Product No. This identifies fitting type and radius

Width: 2" Tangents (Series 1), 5" Tangents (Series 2)

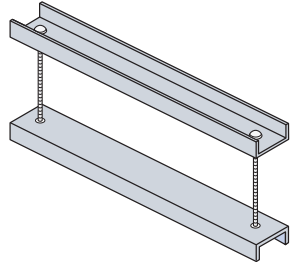
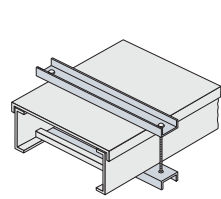
Cover Thickness: Letter suffixes are used to indicate alternate cover thicknesses. Leave blank for standard thickness.
Standard: 0.040"
H - 0.063"
J - 0.080"
L - 0.125"
Diamond Treadplate: S - 0.125"

Standards:
G - 18 Ga.
M L T - 20 Ga.
A - 18 Gage (0.048")
B - 16 Gage (0.060")
C - 14 Gage (0.075")

FLAT COVER CONNECTORS A M T G*

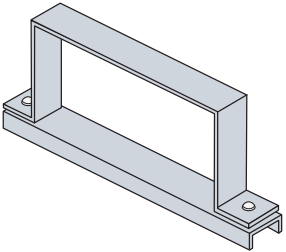
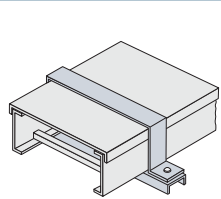
For use with indoor, outdoor, or vertical flat covers. Top and bottom pieces are 1 1/2" wide. Install one connector over each cover joint and space additional connectors on 36"- 48" centers.

CHANNEL-STYLE

PRODUCT NUMBER	FASTENERS INCLUDED	
1400	ZN	Zinc-plated Steel
	S6	316 Stainless Steel

STRAP-STYLE

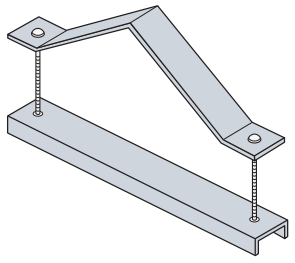
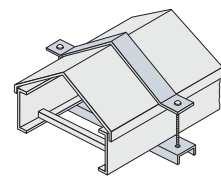



PRODUCT NUMBER	FASTENERS INCLUDED	
1423	CD	Cadmium-plated Steel
	S6	316 Stainless Steel

PEAKED COVER CONNECTORS A M T G*

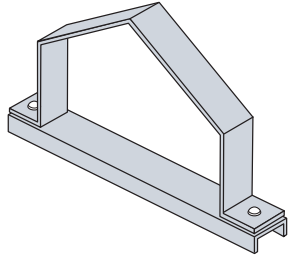
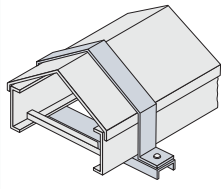
For use with indoor, outdoor, or vertical peaked covers. Top and bottom pieces are 1 1/2" wide. Install one connector over each cover joint and space additional connectors on 36"- 48" centers. Standard angle of peaked cover is 15°, but custom angles are possible. Please contact Legrand/Cablofil for more information.

CHANNEL-STYLE

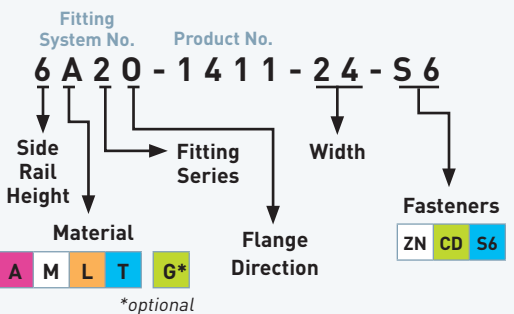
PRODUCT NUMBER	FASTENERS INCLUDED	
1411	ZN	Zinc-plated Steel
	S6	316 Stainless Steel

STRAP-STYLE

PRODUCT NUMBER	FASTENERS INCLUDED	
1440	CD	Cadmium-plated Steel
	S6	316 Stainless Steel

COVER CONNECTOR CATALOG NUMBERING EXAMPLE:



Material		Fasteners	
A	Aluminum	ZN	Zinc-plated Steel
M	Steel, Mill Galvanized	CD	Cadmium-plated Steel
G	Steel, Hot-dip Galvanized		
L	Type 304 Stainless Steel		
T	Type 316 Stainless Steel	S6	Type 316 Stainless Steel

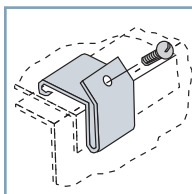
PW Cable Tray Ladder, Trough & Solid Bottom Metallic — Cover Accessories

COVER CONNECTOR CLIPS

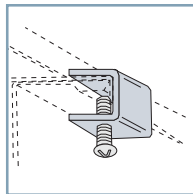
T

For use with indoor, horizontal covers. Flange-in clip requires tray with 1" side rail flanges. Flange-out clip works with any side rail flange width. Sold individually.

FLANGE-IN CLIP



FLANGE-OUT CLIP

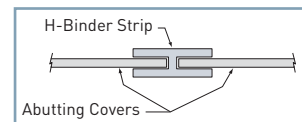
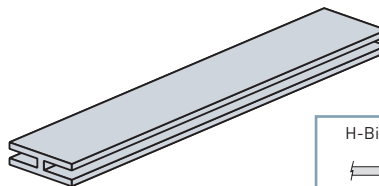


DESCRIPTION	PRODUCT NO.	FASTENER INCLUDED
Flange-in	1410	S6
Flange-out	1853	
CATALOG NUMBERING EXAMPLE (EA.):		
Material	Fasteners	
T - 1410 - S6		

H-BINDER COVER JOINT STRIP

A

Closes gaps at cover joints. Notched for the tray side rail. No fasteners required.

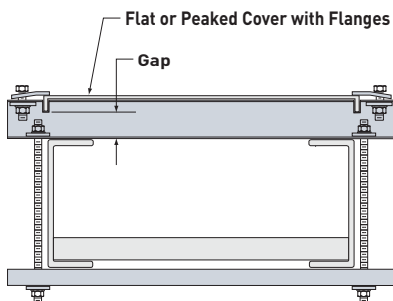


PRODUCT NO.	STRIP
0925	All flat covers
0926	15° peaked covers
CATALOG NUMBERING EXAMPLE:	
Connector System No.†	Width
A20 - 0925 - 06	
†Al, A10 and A20 are the only three Connector System No. possibilities for this part.	

RAISED COVER CONNECTOR

A M T G*

For use with all covers, indoors and outdoors. Covers are attached to uprightmounted "C" channel on the top of the cable tray. Install 36" - 48" on center.



GAP DIMENSION	PRODUCT NO.	FASTENER OPTIONS
1"	1441	ZN S6
2"	1442	
3"	1443	
4"	1444	
CATALOG NUMBERING EXAMPLE:		
Fitting System No.	Width	Fasteners
6A20 - 1441 - 06 - S6		

SERIES 1

Fitting side rails have 2" tangents (flat portion beyond curvature) at the end of each fitting, to accommodate splice plates.

SERIES 2


Fitting side rails have 5" tangents at the end of each fitting, to accommodate splice plates.

Material

Fasteners

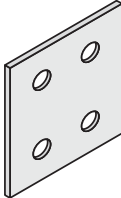
A	Aluminum		
M	Steel, Mill Galvanized	ZN	Zinc-plated Steel
G	Steel, Hot-dip Galvanized	CD	Cadmium-plated Steel
L	Type 304 Stainless Steel		
T	Type 316 Stainless Steel	S6	Type 316 Stainless Steel

SPLICE PLATES

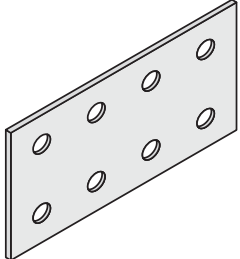
Cadmium-plated steel fasteners are standard for all splice plate connectors on aluminum and steel cable tray systems. All splices are supplied in pairs. Type 316 stainless steel fasteners are standard on stainless steel systems, but are available as an option on all aluminum and steel systems. Sufficient connector pairs with fasteners are automatically included with each shipment of straight sections and fittings. Extras for field cuts or spares must be ordered separately. Bonding jumpers are required for all expansion splice plates, adjustable connectors, and tray discontinuities. The  symbol indicates that bonding jumpers are required.

STANDARD SPLICE

1



2

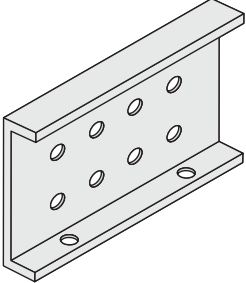


Sold in pairs.

PRODUCT NUMBER	FASTENER OPTIONS
1302	CD S6
CATALOG NUMBERING EXAMPLE:	
Connector System No.	Fasteners
4 A 1 - 1302 - CD	

MID-SPAN SPLICE

These heavy-duty splice plates are designed for random location, including mid-span. Field-drilled holes are required in the bottom flanges of adjoining trays. Sold in pairs.



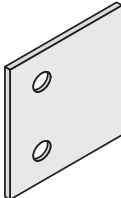
Mid-span splice plates are designed for use with Series 2 tray systems only.

PRODUCT NUMBER	FASTENER OPTIONS
1385	CD S6
CATALOG NUMBERING EXAMPLE:	
Connector System No.†	Fasteners
4 A 2 - 1385 - S6	
<small>†This item must be specified as Series 2 in the System No.</small>	

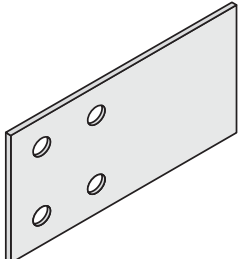
UNIVERSAL SPLICE

These splice plates are designed to connect to existing cable tray. Sold in pairs.

1



2

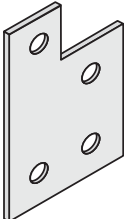


PRODUCT NUMBER	FASTENER OPTIONS
1335	CD S6
CATALOG NUMBERING EXAMPLE:	
Connector System No.	Fasteners
4 A 1 - 1335 - CD	

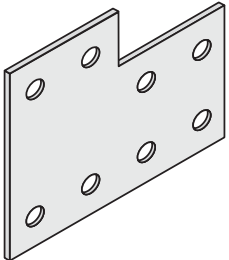
REDUCING HEIGHT SPLICE

These splice plates are designed to connect cable tray side rails with different heights. The connector system number includes the larger side rail height. Choose the product number depending on the side rail height you are reducing to. Sold in pairs.

1



2



PRODUCT NUMBER	SIZE	FASTENER OPTIONS
1386	Reduces to 4" high tray	CD S6
1379	Reduces to 5" high tray	
1355	Reduces to 6" high tray	
CATALOG NUMBERING EXAMPLE:		
Connector System No.	Fasteners	
6 A 2 - 1386 - CD		

Rail Heights (H)


4	5	6	7	in
---	---	---	---	----

PW Cable Tray Ladder, Trough & Solid Bottom

Metallic — Splices & Connectors

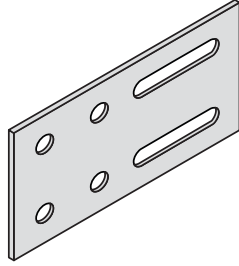
SPLICES AND CONNECTORS

A G T

Cadmium-plated steel fasteners are standard for all splice plate connectors on aluminum and steel cable tray systems. All splices are supplied in pairs. Type 316 stainless steel fasteners are standard on stainless steel systems, but are available as an option on all aluminum and steel systems. Sufficient connector pairs with fasteners are automatically included with each shipment of straight sections and fittings. Extras for field cuts or spares must be ordered separately. Bonding jumpers are required for all expansion splice plates, adjustable connectors, and tray discontinuities. The  symbol indicates that bonding jumpers are required.

EXPANSION SPLICE

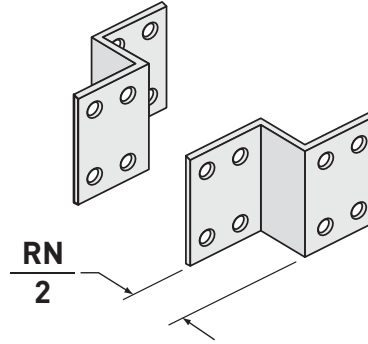
Permits thermal contraction and expansion in a cable tray installation. The length of the straight cable tray run and the temperature differential govern the number and spacing of expansion connectors. Expansion splice plates permit 2" of movement. Sold in pairs.



PRODUCT NUMBER	FASTENER OPTIONS
1314	CD S6
CATALOG NUMBERING EXAMPLE:	
Connector System No.†	Fasteners
4A2 - 1314 - CD	
†This item must be specified as Series 2 in the System No.	

Designed to fit Series 1 & 2 systems.

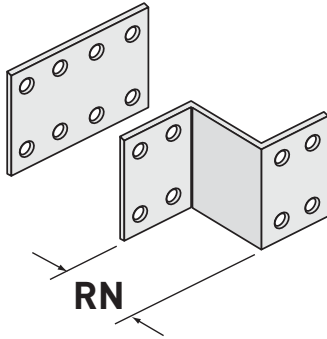
STRAIGHT REDUCER SPLICE



PRODUCT NUMBER	FASTENER OPTIONS
1303	CD S6
CATALOG NUMBERING EXAMPLE:	
Connector System No.†	RN Fasteners
4A2 - 1303 - 06 - CD	
†This item must be specified as Series 2 in the System No.	

Designed to fit Series 1 & 2 systems.

OFFSET REDUCER SPLICE



PRODUCT NUMBER	FASTENER OPTIONS
1304	CD S6
CATALOG NUMBERING EXAMPLE:	
Connector System No.†	RN Fasteners
4A2 - 1304 - 12 - S6	
†This item must be specified as Series 2 in the System No.	

Widths (W)

6 9 12 18 24 30 36 in

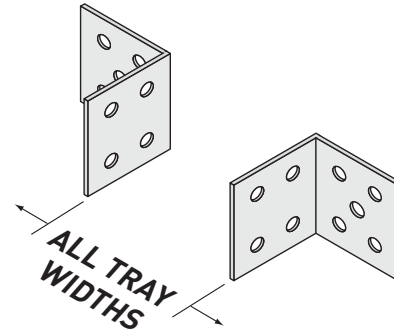
Rail Heights (H)

4 5 6 7 in

Reduction (RN)

3 6 9 12 15 18 21 24 27 30 in


90° CONNECTOR



PRODUCT NUMBER	FASTENER OPTIONS
1320	CD S6
CATALOG NUMBERING EXAMPLE:	
Connector System No.†	Fasteners
4A2 - 1320 - CD	
†This item must be specified as Series 2 in the System No.	

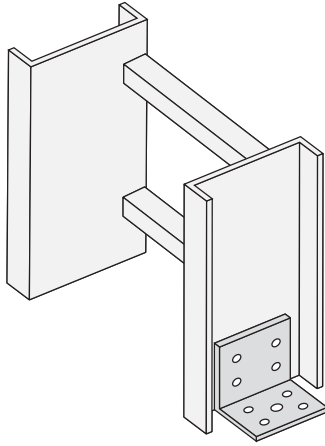
Designed to fit Series 1 & 2 systems.

SPLICES AND CONNECTORS

All splices are supplied in pairs. Bonding jumpers are required for use with all adjustable splices. 

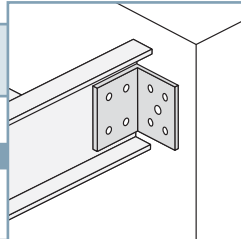
FLOOR FLANGE/TRAY-TO-BOX CONNECTOR

Fasteners for tray attachment only are included. Floor connection leg has 9/16" diameter hole.



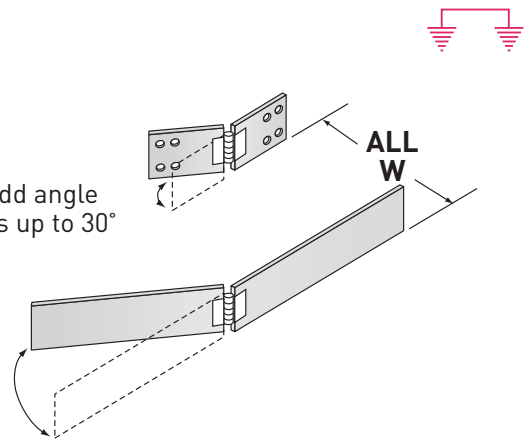
Designed to fit Series 2 systems only.

PRODUCT NUMBER	FASTENER OPTIONS
1864	CD S6
CATALOG NUMBERING EXAMPLE (PAIR):	
Connector System No.*	Fasteners
4G2 - 1864 - CD	
*This item must be specified as Series 2 in the System No.	



HORIZONTAL ADJUSTABLE SPLICE PLATE

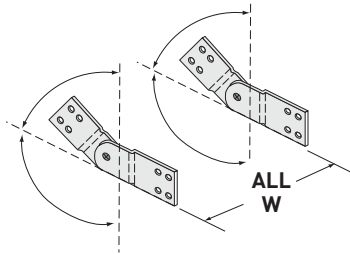
For odd angle bends up to 30°



Designed to fit Series 1 & 2 systems.

PRODUCT NUMBER	FASTENER OPTIONS
1305	CD S6
CATALOG NUMBERING EXAMPLE:	
Connector System No.*	Fasteners
4A2 - 1305 - CD	
*This item must be specified as Series 2 in the System No.	

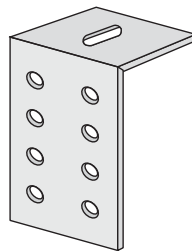
VERTICAL ADJUSTABLE SPLICE PLATE



Designed to fit Series 1 & 2 systems. Maximum bend angle is ±90

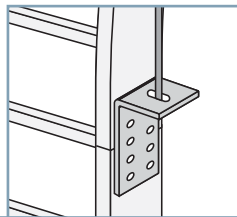
PRODUCT NUMBER	FASTENER OPTIONS
1307	CD S6
CATALOG NUMBERING EXAMPLE:	
Connector System No.*	Fasteners
4A2 - 1307 - CD	
*This item must be specified as Series 2 in the System No.	

VERTICAL HANGER SPLICE PLATE

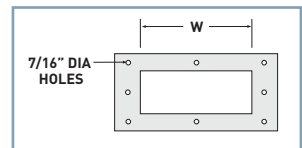
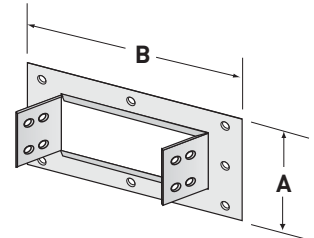


Designed to fit Series 1 & 2 systems.

PRODUCT NUMBER	FASTENER OPTIONS
0356	CD S6
CATALOG NUMBERING EXAMPLE:	
Connector System No.*	Fasteners
6G2 - 0356 - S6	
*This item must be specified as Series 2 in the System No.	



TRAY-TO-BOX CONNECTOR, FRAME-TYPE



Dimensions

A	H + 3-3/4
B	W + 4

Designed to fit Series 2 systems only.

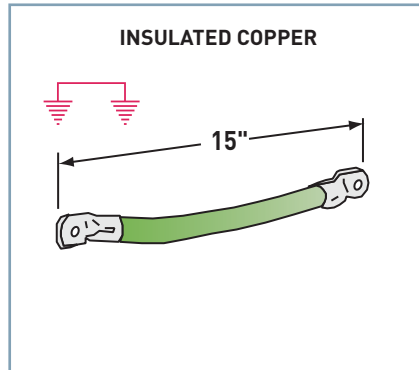
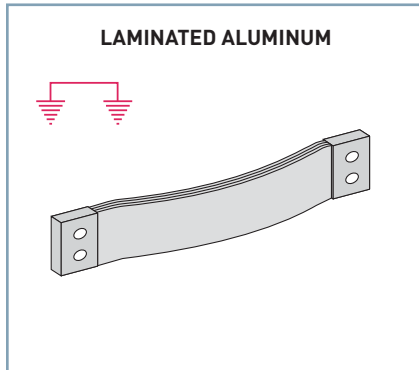
PRODUCT NUMBER	FASTENER OPTIONS
0403	CD S6
CATALOG NUMBERING EXAMPLE (EA.):	
Connector System No.	Width Fasteners
4A2 - 0403 - 12 - CD	

PW Cable Tray Ladder, Trough & Solid Bottom

Metallic — Bonding Jumpers

BONDING JUMPERS

Use across all discontinuities, expansion joints, and adjustable connectors to maintain electrical continuity in the cable tray system. Also use to bond the cable tray system to the building ground. Bonding jumpers are not required at standard or rigid splice locations. Fasteners for bonding jumpers must be ordered separately.



Laminated Aluminum: Use (4) $\frac{3}{8}$ " x 1" bolts per Bonding Jumper.

Insulated Copper: Made with flame-retardant, moisture- and heat-resistant, insulated copper cable. Tin plated copper lugs have one hole, sized for $\frac{3}{8}$ " x $\frac{3}{4}$ " bolt. Length is 15" to the center of the lug holes. Special lengths, lugs, and cables are also available.

LAMINATED ALUMINUM A		
PRODUCT NUMBER	L	RATED AMPS (N.E.C. 250-122)
1877	15" or 22"	2000
CATALOG NUMBERING EXAMPLE (EA.):		
Material		Length
A - 1877 - 15		

INSULATED COPPER C		
PRODUCT NUMBER	COPPER CABLE SIZE	RATED AMPS (N.E.C. 250-122)
A806	#6	200
A807	#4	300
A804	#2	500
A803	#1	600
A808	1/0	800
A809	2/0	1000
A805	3/0	1200
A810	4/0	1600
A814*	4/0 Welding Cable 2107 Strands	1800
CATALOG NUMBERING EXAMPLE (EA.):		
Material		
C - A 806		

*Length is 30" to the center of the lug holes. One-hole tin-plated copper lugs are sized for $\frac{1}{2}$ " bolt.

FASTENERS FOR SPLICES

	DESCRIPTION	SIZE	COMPLETE CATALOG NUMBER	
	KNURLED BOLT	$\frac{3}{8}$ "-16 x $\frac{3}{4}$ "	DS-8530-01-CD	CD
			DS-8926-01-S6	S6
	FLANGED HEX NUT	$\frac{3}{8}$ " Dia.	DS-8524-01-CD	CD
			DS-8927-01-S6	S6
	LOCKING HEX NUT	$\frac{3}{8}$ " Dia.	DS-8575-02-CD	CD
			DS-8576-01-S6	S6
	FLAT WASHER	$\frac{3}{8}$ " Dia.	DS-8596-01-CD	CD
			DS-8600-01-S6	S6

Knurled Bolt: Specially designed for cable tray connectors, the ribbed neck firmly grips the tray side rail to prevent screw rotation while tightening. Bolt can also be tightened with a Phillips screwdriver.

Flanged Hex Nut: "Free spinning" lock-type nut with a serrated face, eliminating the need for a washer. Nuts require a $\frac{9}{16}$ " wrench. Tighten to approx. 19-25 ft-lbs of torque.

Locking Hex Nut: For use with expansion connectors. Deformed threads cause this nut to lock on to the bolt after just a few turns, allowing movement of the bolt in the expansion slot without possibility of the nut backing off. Typically identified by a rectangular indentation on the side of the nut.

Flat Washer: For use with expansion connectors. Install under the locking hex nut in the expansion slots. Prevents binding in the expansion slot during movement of the tray due to thermal expansion.

Material	Fasteners
A Aluminum	
C Copper	
M Steel, Mill Galvanized	ZN Zinc-plated Steel
G Steel, Hot-dip Galvanized	CD Cadmium-plated Steel
L Type 304 Stainless Steel	
T Type 316 Stainless Steel	S6 Type 316 Stainless Steel

Rail Heights (H)

4	5	6	7	in
---	---	---	---	----

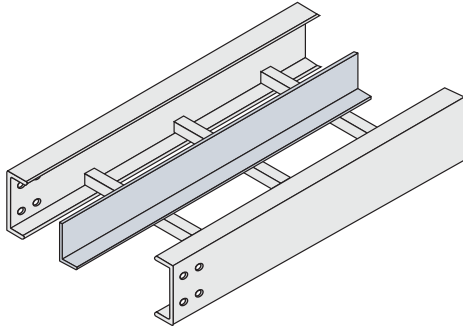
Divider Strips

DIVIDER STRIPS A M T G*

Straight strips are for use with all straight tray; flexible strips are for use with all horizontal fittings of any radius.

STRAIGHT HORIZONTAL DIVIDER

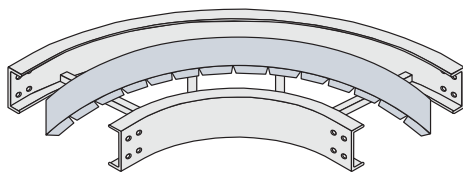
Furnished with four #10 self-drilling screws.



PRODUCT NUMBER	L	FASTENER OPTIONS
0012-99	12'	ZN S6
CATALOG NUMBERING EXAMPLE: Accessory System No. Fasteners 4A - 0012-99 - ZN		

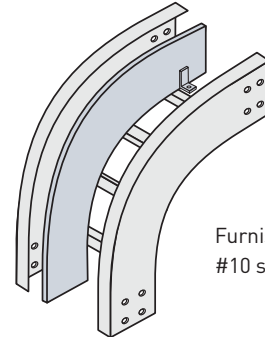
FLEXIBLE HORIZONTAL DIVIDER

Furnished with three #10 self-drilling screws.



PRODUCT NUMBER	L	FASTENER OPTIONS
0606-99	6'	ZN S6
CATALOG NUMBERING EXAMPLE: Accessory System No. Fasteners 4T - 0606-99 - S6		

VERTICAL FITTING DIVIDER



Furnished with two #10 self-drilling screws.

PRODUCT NUMBER	R	DIVIDER TYPE
9112-99	12	90° Inside Elbow
9124-99	24	
9136-99	36	
9212-99	12	90° Outside Elbow
9224-99	24	
9236-99	36	
6112-99	12	60° Inside Elbow
6124-99	24	
6136-99	36	
6212-99	12	60° Outside Elbow
6224-99	24	
6236-99	36	
4612-99	12	45° Inside Elbow
4624-99	24	
4636-99	36	
4712-99	12	45° Outside Elbow
4724-99	24	
4736-99	36	
3112-99	12	30° Inside Elbow
3124-99	24	
3136-99	36	
3212-99	12	30° Outside Elbow
3224-99	24	
3236-99	36	
FASTENER OPTIONS		ZN S6
CATALOG NUMBERING EXAMPLE: Accessory System No. Fasteners 4A - 9212-99 - ZN		

PW CABLE TRAY

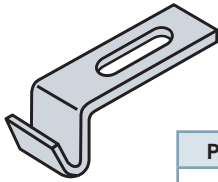
PW Cable Tray Ladder, Trough & Solid Bottom

Metallic — Divider Accessories

DIVIDER HOLD DOWN CLIP

A M T G*

Purchased separately. Supplied with carriage bolt and flanged hex nut. Designed for use with ladders with box-shaped rungs (Types AL, AH, BX & BH—see page 47).

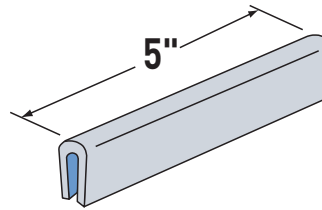


PRODUCT NO.	FASTENER OPTIONS
1852	ZN S6
CATALOG NUMBERING EXAMPLE:	
Material	Fasteners
A - 1852 - ZN	

5" VINYL DIVIDER SPLICE

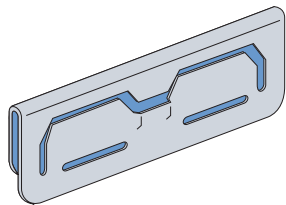
V

Splices joints of abutting divider strips. Vinyl edge strip is also available in bulk lengths.



PRODUCT NO.
0930
CATALOG NO. EXAMPLE:
Material
V - 0930

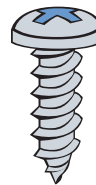
DIVIDER SPLICE



Sold in bags of 25.

	COMPLET CAT. NO.
A	COTJ-AL
M	COTJ-PG
T	COTJ-316

SELF-DRILLING SCREW



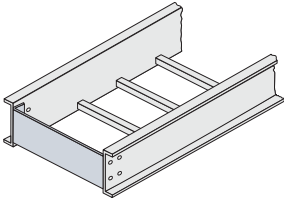
Provided with all dividers, but extras can be ordered separately.

COMPLETE CATALOG NO.		SIZE
DS-8930-01-ZN	ZN	#10 x 3/4"
DS-8930-01-S6	S6	#10 x 3/4"

Accessories

BLIND END PLATE A M T G*

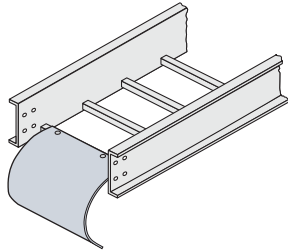
Seals off the open end of a cable tray. Attaches to the tray using standard 3/8" dia. connector fasteners.



PRODUCT NUMBER	FASTENER OPTIONS
0402	CD S6
<small>CATALOG NUMBERING EXAMPLE:</small> <small>Accessory System No. Width Fasteners</small> 4 T - 0402 - 12 - S6	

CABLE DROPOUT A M T G*

Provides a smooth, rounded surface for cables dropping out of the bottom of the cable tray.

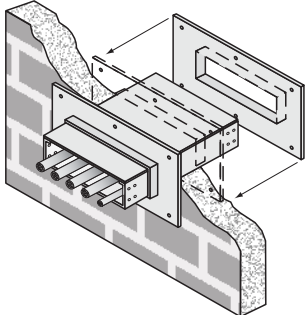


PRODUCT NO.	R
0253	3/4
0254	5
FASTENER OPTIONS	ZN S6
<small>CATALOG NUMBERING EXAMPLE:</small> <small>Material - Flange Width Fasteners</small> AI - 0253 - 06 - S6	

Tray width (nominal)	6	9	12	18	24	30	36	
Dropout width (Flg In)	2 1/4	5 1/4	8 1/4	14 1/4	20 1/4	26 1/4	32 1/4	in
Dropout width (Flg Out)	5 1/4	8 1/4	11 3/4	17 3/4	23 3/4	29 3/4	35 3/4	

WALL PENETRATION SLEEVE M G T

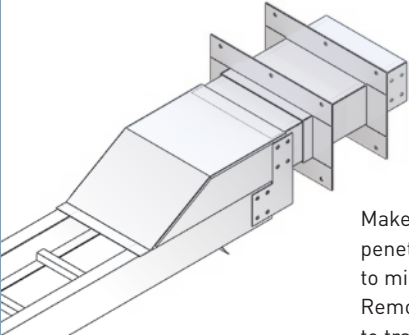
Provides a rigid support for cable tray at wall penetrations. Overall length of the sleeve is 20". Will fit walls up to 8" thick. Bonding jumpers are not required for use with wall sleeves. Two pairs of splice plates and fasteners are included for tray attachment. Designed to fit both Series 1 & 2 systems.



PRODUCT NUMBER	FASTENER OPTIONS
0424	CD S6
<small>CATALOG NUMBERING EXAMPLE:</small> <small>Connector System No. Width Fasteners</small> 4 T 2 - 0424 - 12 - S6	

OUTDOOR CONVERSION FOR WALL PENETRATION G T

Makes ladder tray wall penetrations weather resistant to minimize water intrusions. Removable cover/shield fastens to tray and wall penetration sleeve for the utmost in weather protection.



- Fits Standard Hot-Dip Galvanized or Stainless "0424" or "0440" wall penetrations (see page 42.)
- Sized to fit flange-in or flange-out trays
- Designed to fit both Series 1 & 2 systems.

PRODUCT NUMBER	FASTENER OPTIONS
0434	CD S6
<small>CATALOG NUMBERING EXAMPLE:</small> <small>Connector System No. Width Fasteners</small> 4 G 2 - 0434 - 06 - CD	

Material	Fasteners
A Aluminum	
M Steel, Mill Galvanized	ZN Zinc-plated Steel
G Steel, Hot-dip Galvanized	CD Cadmium-plated Steel
L Type 304 Stainless Steel	
T Type 316 Stainless Steel	S6 Type 316 Stainless Steel
V Vinyl	

*optional

Widths (W)

6	9	12	18	24	30	36	in
---	---	----	----	----	----	----	----

Rail Heights (H)

4	5	6	7	in
---	---	---	---	----

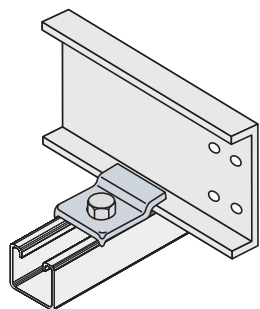
PW CABLE TRAY

PW Cable Tray Ladder, Trough & Solid Bottom

Metallic — Clamps & Supports

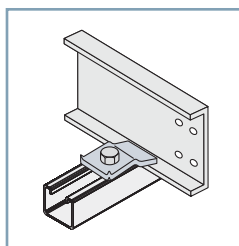
COMBINATION HOLD DOWN/EXPANSION CLAMP A Z T

Works as an expansion guide and flips over for use as a hold down clamp for use with all ladder and ventilated/trough trays. Sold individually.



1893-01: Includes 3/8" x 1 1/2" hex bolt, 3/8" flanged nut.

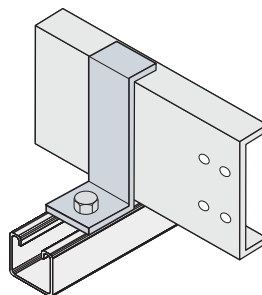
1893-03: Includes 3/8" x 1 1/2" hex bolt, 3/8" spring nut.



PRODUCT NUMBER	FASTENER OPTIONS
1893-01	ZN S6
1893-02	None
1893-03	ZN S6
CATALOG NUMBERING EXAMPLE:	
Material	Fasteners
A - 1893-01 - ZN	

Z-HOLD DOWN CLAMP/EXPANSION GUIDE A M T G*

Wraps around the tray side rail for use with all solid bottom trays. Can also be used with any flange-in tray system. Expansion guide is slightly taller to permit longitudinal tray movement caused by thermal expansion. Sold individually.



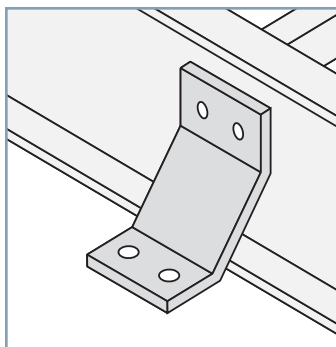
1866-01: Includes 1/4" x 1" carriage bolt, 1/4" flanged nut.

1866-03: Includes 1/4" x 1 1/2" screw, 1/4" spring nut.

PRODUCT NUMBER	FASTENER OPTIONS
HOLD DOWN CLAMP	
1866-01	ZN S6
1866-02	None
1866-03	ZN S6
EXPANSION GUIDE	
1867-01	ZN S6
1867-02	None
1867-03	ZN S6
CATALOG NUMBERING EXAMPLE:	
Accessory System No.	Fasteners
4A - 1866-01 - ZN	

HEAVY-DUTY HOLD DOWN BRACKETS A G T

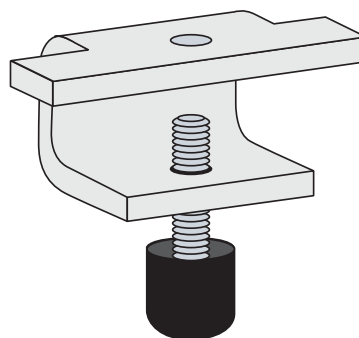
Designed for use with all trays. 3/8" diameter hardware for tray attachment only is included. Holes for structure attachment are sized for 1/2" diameter fasteners. Ideal for vertical tray support. Sold in pairs.



PRODUCT NUMBER	FASTENER OPTIONS
A845	CD S6
CATALOG NUMBERING EXAMPLE:	
Material	Fasteners
T - A845 - S6	

WIRE MESH-TO-LADDER CLAMP Z T

This unique clamp allows wire mesh cable tray to be attached to the side rails of any ladder tray and a pre-installed setscrew secures the junction for a permanent installation.



PRODUCT NUMBER	FASTENER OPTIONS
WMC 2LA	CD S6
CATALOG NUMBERING EXAMPLE:	
Material	Fasteners
T - WMC 2LA - S6	

Widths (W)

6	9	12	18	24	30	36	in
---	---	----	----	----	----	----	----

Rail Heights (H)

4	5	6	7	in
---	---	---	---	----

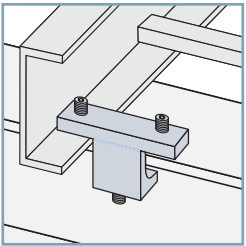
I-BEAM HOLD DOWN CLAMP / EXPANSION GUIDE Z T

* Clamp is made of either malleable iron with yellow zinc finish or 316 stainless steel.

Hold Down Clamp: Firmly attaches the cable tray to the flange of an I-beam type support. Includes (2) 1/2" x 5/8" screws and (1) 1/2" x 1 1/2" screw.

Expansion Guide: Attaches the clamp to the flange of an I-beam type support, allowing movement of the tray side rail due to thermal contraction and expansion. Includes (1) 1/2" x 1 1/2" screw.

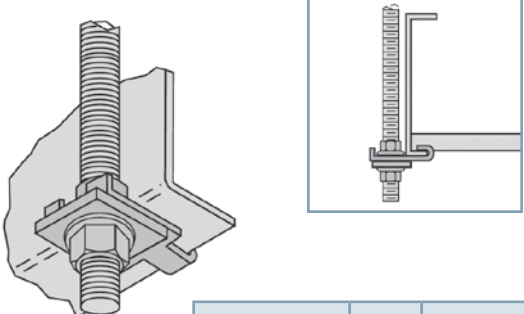
No drilling is required for either installation.



DESCRIPTION	PRODUCT NUMBER	FASTENERS INCLUDED
HOLD DOWN CLAMP	A802-01	CD S6
EXPANSION GUIDE	A802-02	
CATALOG NUMBERING EXAMPLE:		
Material	Fasteners	
Z - A802-01 - S6		

SINGLE OVERHEAD HANGER CLAMP M

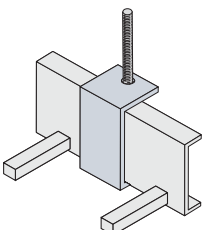
Attaches to the tray bottom flange and supports the cable tray directly from a threaded rod without the need for an additional support member. For use with all series 1 flange-in ladders and ventilated/trough cable trays. Threaded Rod purchased separately. Available for Series 1 only.



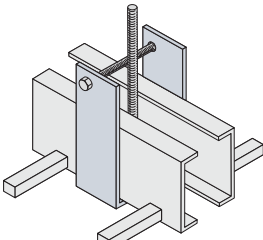
PRODUCT NUMBER	ROD DIA.	FASTENERS INCLUDED
1899-01	1/2"	ZN S6
1899-02	3/8"	
CATALOG NUMBERING EXAMPLE:		
Material	Fasteners	
M - 1899-01 - S6		

HANGER BRACKETS A M T G*

SINGLE



DOUBLE



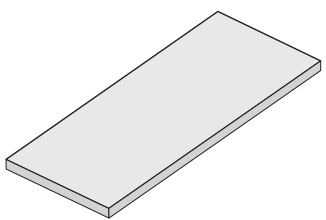
Supports a single tray side rail from a 1/2" threaded rod. For use with all flange-out ladder and ventilated/trough tray systems. Safe load = 300 lbs. per bracket.

Supports two tray side rails that are installed side-by-side from a single 1/2" threaded rod. For use with all flange-out ladder and ventilated/trough tray systems. Safe load = 300 lbs. per bracket.

TYPE	PRODUCT NUMBER	FASTENER OPTIONS
SINGLE	A836	None
DOUBLE	A837	ZN S6
CATALOG NUMBERING EXAMPLE:		
Connector System No.	Fasteners	
4 M1 - A837 - ZN		

NYLON ISOLATION PAD N

Made of extruded black nylon. Can be installed between the cable tray and support member to provide electrical isolation of the tray system. Can also be used to facilitate cable tray movement caused by thermal contraction and expansion. No fasteners required.



PRODUCT NUMBER	SIZE
8945	1/8" x 3" x 6"
CATALOG NUMBERING EXAMPLE:	
Material	
N - 8945	

Material		Fasteners	
A	Aluminum		
M	Steel, Mill Galvanized	ZN	Zinc-plated Steel
Z	Steel, Zinc-plated		
G	Steel, Hot-dip Galvanized	CD	Cadmium-plated Steel
L	Type 304 Stainless Steel		
T	Type 316 Stainless Steel	S6	Type 316 Stainless Steel
N	Nylon		

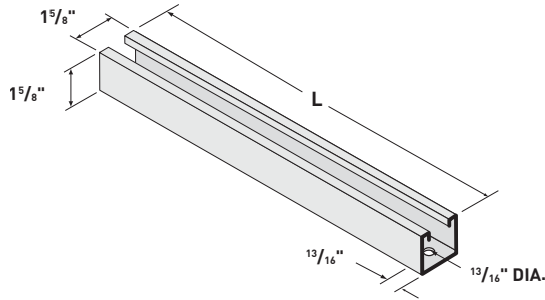
PW Cable Tray Ladder, Trough & Solid Bottom

Metallic — Support Hangers, Kits & Brackets

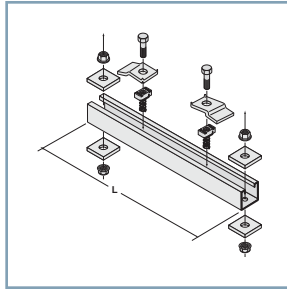
SINGLE HANGER CHANNEL

A M G T

Made from 12-gauge strut. Hangers have 9/16" diameter holes 13/16" from each end to accept 1/2" threaded rod. Kit includes fasteners. When used with Z-type hold-down clamps, select hanger with flange out dimensions.



SINGLE HANGER CHANNEL KIT*

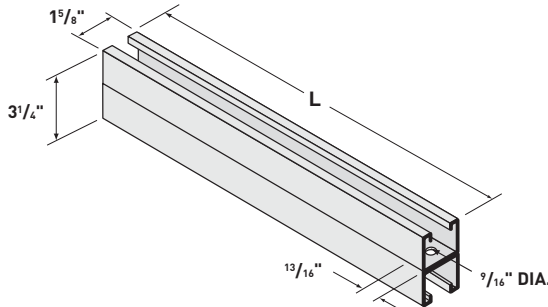


TRAY WIDTH	PRODUCT NUMBER		FLANGE IN	FLANGE OUT
	HANGER	KIT	L (W+4)	L (W+10)
6	0373	0393	10	16
9			13	19
12			16	22
18			22	28
24			28	34
30			34	40
36			40	46
FASTENERS INCLUDED WITH KIT ONLY*				ZN S6
CATALOG NUMBERING EXAMPLE: Material Length Fasteners M - 0393 - 10 - S6*				

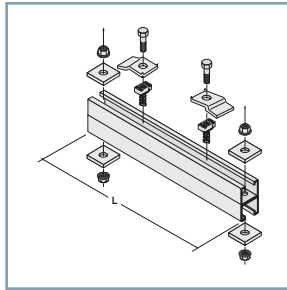
DOUBLE HANGER CHANNEL

A M G T

Made from 12-gauge struts welded back-to-back. Hangers have 9/16" dia. holes 13/16" from each end to accept 1/2" threaded rod. When used with Z-type hold-down clamps, select hanger with flange out dimensions.



DOUBLE HANGER CHANNEL KIT*

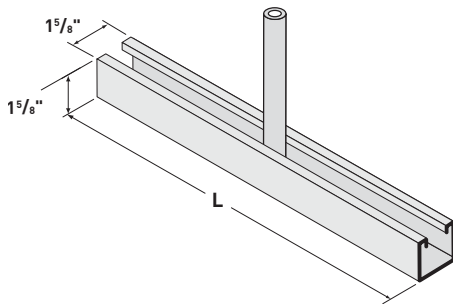


TRAY WIDTH	PRODUCT NUMBER		FLANGE IN	FLANGE OUT
	HANGER	KIT	L (W+4)	L (W+10)
6	0371	0394	10	16
9			13	19
12			16	22
18			22	28
24			28	34
30			34	40
36			40	46
FASTENERS INCLUDED WITH KIT ONLY*				ZN S6
CATALOG NUMBERING EXAMPLE: Material Length Fasteners M - 0394 - 16 - S6*				

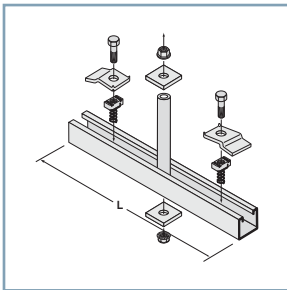
CENTER HANGER CHANNEL

M G T

Mounts with one 1/2" threaded rod to allow cable installation from both sides. Cable should be loaded evenly on both sides of the center support to remain level. 12-gauge strut accepts channel nuts for hold down clamps with no drilling required. Not recommended for trays over 24" wide. When used with Z-type hold-down clamps, select hanger with flange out dimensions.



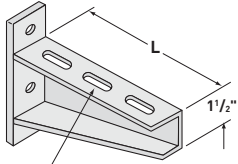
CENTER HANGER CHANNEL KIT*



TRAY WIDTH	PRODUCT NUMBER		FLANGE IN	FLANGE OUT
	HANGER	KIT	L (W+2)	L (W+6)
6	0369	0395	8	12
9			11	15
12			14	18
18			20	24
24			26	30
FASTENERS INCLUDED WITH KIT ONLY*				ZN S6
CATALOG NUMBERING EXAMPLE: Material Length Fasteners M - 0395 - 10 - S6*				

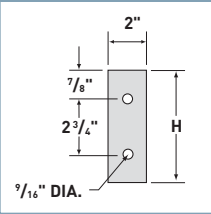
*Kits include hardware for ladder and ventilated/trough trays. Contact Legrand/Cablofil for other design options.

WALL BRACKET G T



Recommended for use with flange-in cable trays.

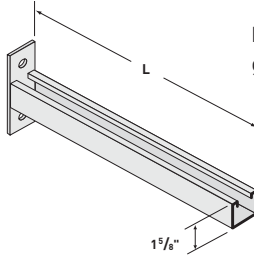
$\frac{3}{8}$ " x 1" SLOTS ON 2" CENTERS



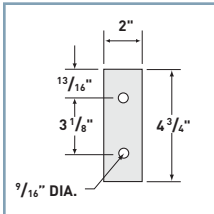
PRODUCT NUMBER	L	H	DESIGN LOAD - UNIFORM (LBS.)
0353	7	6	900
	10	6	
	13	6	
	19	7 1/2	
	25	7 1/2	

CATALOG NUMBERING EXAMPLE:
Material Length
G - 0353 - 13

SINGLE STRUT BRACKET G T



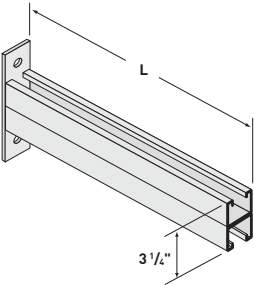
Made with $1\frac{5}{8}$ " x $1\frac{5}{8}$ " x 12 gauge steel struts.



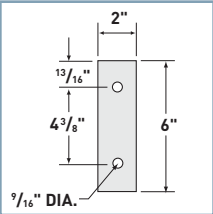
PRODUCT NUMBER	L	DESIGN LOAD - UNIFORM (LBS.)
0215	7	1000
	10	720
	13	550
	16	450
	19	380
	22	320
25	290	

CATALOG NUMBERING EXAMPLE:
Material Length
G - 0215 - 13

DOUBLE STRUT BRACKET G T



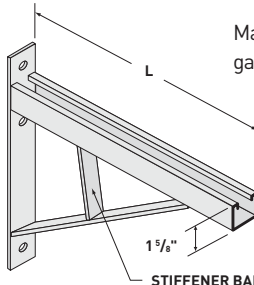
Made with $1\frac{5}{8}$ " x $1\frac{5}{8}$ " x 12 gauge steel struts.



PRODUCT NUMBER	L	DESIGN LOAD - UNIFORM (LBS.)
0216	7	3000
	10	2400
	13	1850
	16	1500
	19	1250
	22	1100
	25	960
	31	770
	37	650
43	560	

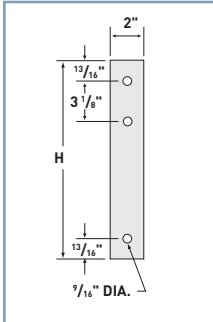
CATALOG NUMBERING EXAMPLE:
Material Length
T - 0216 - 13

HEAVY DUTY STRUT BRACKET G T



Made with $1\frac{5}{8}$ " x $1\frac{5}{8}$ " x 12 gauge steel struts.

STIFFENER BAR ON 31" LONG AND GREATER



PRODUCT NUMBER	L	H	DESIGN LOAD - UNIFORM (LBS.)
0392	13	10	1600
	19	15	1200
	25	18	900
	31	22	750
	37	25	675
	43	29	580
	49	32	500

CATALOG NUMBERING EXAMPLE:
Material Length
G - 0392 - 13

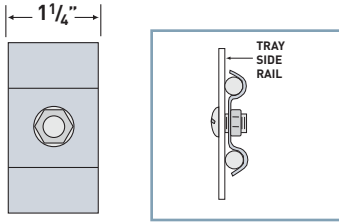
Material		Fasteners	
A	Aluminum		
M	Steel, Mill Galvanized	ZN	Zinc-plated Steel
G	Steel, Hot-dip Galvanized	CD	Cadmium-plated Steel
L	Type 304 Stainless Steel		
T	Type 316 Stainless Steel	S6	Type 316 Stainless Steel

PW Cable Tray Ladder, Trough & Solid Bottom

Metallic — Grounding & Conduit Accessories

GROUND WIRE ATTACHMENT CLAMP

Z T



Holds one or two bare copper or aluminum ground wires against the cable tray side rail using included 3/8" diameter fasteners. This clamp does not bond the ground wire to the tray.

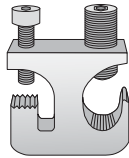
PRODUCT NUMBER	CONDUCTOR SIZE
1873-02	#6 to #4
1873-03	#2, #1 and 1/0
1873-04	2/0, 3/0 and 4/0

FASTENER OPTIONS CD S6

CATALOG NUMBERING EXAMPLE:
Material Fasteners
Z - 1873-02 - S6

CABLE TRAY GROUNDING CLAMP

A



Provides an excellent ground for copper or aluminum ground wires to the cable tray. A 1/4" hex wrench is used to tighten both tray and conductor set screws. Clamps are tin-plated, extruded aluminum.

Conductor Range: #6AWG to 250 MCM.

PRODUCT NUMBER	FASTENERS INCLUDED
A840-01	ZN

CATALOG NUMBERING EXAMPLE:
Material Fasteners
A - A840-01 - ZN

CONDUIT BRACKET CLAMP

Z T

Attaches conduit to the cable tray side rail.



PRODUCT NUMBER	CONDUIT DIA.	EMT DIA.
0228-05	3/8"-1/2"	1/2"
0228-06	3/4"	3/4"
0228-10	1"	1"
0228-11	1 1/4"	1 1/4"
0228-12	1 1/2"	1 1/2"
0228-20	2"	2"
0228-25	2 1/2"	2 1/2"
0228-30	3"	3"
0228-40	4"	4"

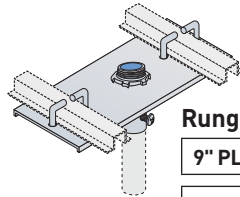
FASTENER OPTIONS ZN S4

CATALOG NUMBERING EXAMPLE:
Material Fasteners
T - 0228-05 - S4

CONDUIT PLATE CLAMP

A M

Attaches conduit to the ladder tray rungs.



Rung Spacing

9" PLATE	6	9	in
18" PLATE	12	18	in

PRODUCT NUMBER	EMT DIA.
0226-05	1/2"
0226-06	3/4"
0226-10	1"
0226-11	1 1/4"
0226-12	1 1/2"
0226-20	2"
0226-25*	2 1/2"
0226-30*	3"
0226-40*	4"

FASTENERS INCLUDED CD

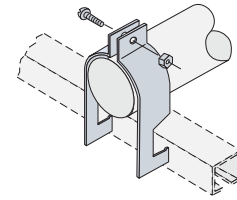
*Can also be used with medium-wall (IMC) and thick-wall (rigid) conduit.

CATALOG NUMBERING EXAMPLE:
Rung Spacing Material Fasteners
09 - M - 0226-11 - CD

CABLE CLAMP

T

For use with all ladder cable trays with box-shaped rungs.



PRODUCT NUMBER	CABLE SIZE
1916-06	3/4"
1916-07	7/8"
1916-08	1"
1916-09	1 1/8"
1916-10	1 1/4"
1916-11	1 3/8"
1916-12	1 1/2"
1916-13	1 5/8"
1916-14	1 3/4"
1916-15	1 7/8"
1916-16	2"
1916-17	2 1/8"
1916-18	2 1/4"
1916-19	2 3/8"
1916-20	2 1/2"
1916-21	2 5/8"
1916-22	2 3/4"
1916-23	2 7/8"
1916-24	3"
1916-25	3 1/8"
1916-26	3 1/4"
1916-27	3 3/8"
1916-28	3 1/2"
1916-29	3 5/8"
1916-30	3 3/4"
1916-31	3 7/8"
1916-32	4"

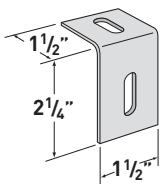
FASTENERS INCLUDED S6

CATALOG NUMBERING EXAMPLE:
Material Fasteners
T - 1916-06 - S6

Fasteners

CLAMP BRACKET M T

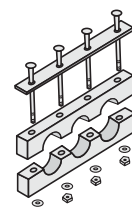
Permits attachment of clamps or other components to the cable tray side rail. Conduit clamps are purchased separately.



PRODUCT NUMBER	FASTENER OPTIONS
1818	ZN S6
CATALOG NUMBERING EXAMPLE:	
Material	Fasteners
T - 1818 - S6	

MAPLE CABLE BLOCKS

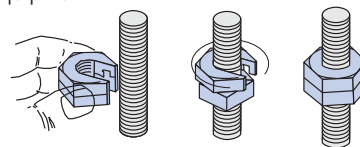
Paraffin impregnated and furnished with 1/4" dia. fasteners. Contact Legrand/Cablofil with quantities, cable dimensions, cable spacing, and cable tray system information. Can be custom designed for a wide variety of applications.



PRODUCT NUMBER	FASTENERS INCLUDED
0950	As specified

SLIP-ON LOCK NUT® ZN S4

Allows the user to slip the nut onto a rod, without actually threading it. Ideal for when nuts must be added to a rod, but cannot be threaded due to previously-installed equipment.



PRODUCT NO.	SIZE
SON 1/4	1/4"-20
SON 3/8	3/8"-16
SON 1/2	1/2"-13
CATALOG NUMBERING EXAMPLE:	
Fasteners	
SON 3/8 - ZN	

PLASTIC SAFETY SIGN

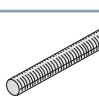
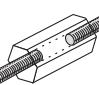
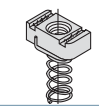
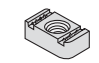


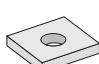

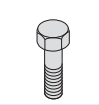

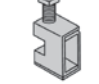
WARNING

DO NOT USE CABLE TRAY AS WALKWAY, LADDER OR SUPPORT USE ONLY AS A MECHANICAL SUPPORT FOR CABLES AND TUBING

Sign measures 8"x12".

COMP. CAT. NO.
P-0949-01

INSTALLATION FASTENERS

	DESCRIPTION	SIZE	COMPLETE CATALOG NUMBER			
			ZN	ZINC PLATED	S6	316 STAINLESS
	THREADED ROD	1/4"-20 x 6'		DS-0254-06-ZN	S6	DS-0254-06-S6
		3/8"-16 x 12'		DS-0255-12-ZN	S6	DS-0255-12-S6
		1/2"-13 x 12'		DS-0256-12-ZN	S6	DS-0256-12-S6
	ROD COUPLING NUT	1/4"-20		DS-0237-02-ZN	S6	DS-0237-02-S6
		3/8"-16		DS-0237-04-ZN	S6	DS-0237-04-S6
		1/2"-13		DS-0237-05-ZN	S6	DS-0237-05-S6
	CHANNEL NUT WITH SPRING	1/4"-20		DS-0102-03-ZN	S6	DS-0102-03-S6
		3/8"-16		DS-0102-05-ZN	S6	DS-0102-05-S6
		1/2"-13		DS-0102-07-ZN	S6	DS-0102-07-S6
	CHANNEL NUT WITHOUT SPRING	1/4"-20		DS-0103-03-ZN	S6	DS-0103-03-S6
		3/8"-16		DS-0103-05-ZN	S6	DS-0103-05-S6
		1/2"-13		DS-0103-07-ZN	S6	DS-0103-07-S6
	HEX NUT	1/4"-20		DS-8585-01-ZN	S6	DS-8586-01-S6
		3/8"-16		DS-8575-01-ZN	S6	DS-8554-01-S6
		1/2"-13		DS-8570-01-ZN	S6	DS-8574-01-S6
	FLANGED HEX NUT	1/4"-20		DS-8845-01-ZN	S6	DS-8929-01-S6
		3/8"-16	CD	DS-8524-01-CD	S8	DS-8927-01-S6
		1/2"-13		DS-8644-01-ZN	S8	DS-8932-01-S8
	SQUARE CHANNEL WASHER	1 1/2" w/ 1/4" hole		DS-0113-01-ZN	S6	DS-0113-01-S6
		1 1/2" w/ 3/8" hole		DS-0113-02-ZN	S6	DS-0113-02-S6
		1 1/2" w/ 1/2" hole		DS-0113-03-ZN	S6	DS-0113-03-S6
	FLAT, ROUND WASHER	1/4"		DS-8598-01-ZN	S6	DS-8674-01-S6
		3/8"		DS-8596-01-ZN	S6	DS-8600-01-S6
		1/2"		DS-8595-01-ZN	S6	DS-8657-01-S6
	HEX HEAD BOLT	1/4"-20 x 3/4"		DS-8502-01-ZN	S6	DS-8720-01-S6
		3/8"-16 x 1 1/2"		DS-8520-05-ZN	S6	DS-8694-05-S6
		1/2"-13 x 1 1/2'		DS-8515-15-ZN	S6	DS-8533-02-S6
	SLOTTED, ROUND-HEAD SCREW	1/4"-20 x 3/4"		DS-8540-02-ZN	S6	DS-8543-01-S6
		3/8"-16 x 3/4"		DS-8535-01-ZN	S6	DS-8542-02-S6
		1/2"-13 x 1 1/2"		DS-8678-04-ZN	S6	DS-8548-01-S6
	BEAM CLAMP	for 1/4" rod		DS-0221-01-ZN*	S6	DS-0221-01-S6*
		for 3/8" rod		DS-0221-04-ZN**	S6	DS-0221-04-S6**
		for 1/2" rod		DS-0221-06-ZN***	S6	DS-0221-06-S6***

Safe Load: *750 lbs.; **1100 lbs.; ***1600 lbs.

Material		Fasteners	
A	Aluminum		
M	Steel, Mill Galvanized	ZN	Zinc-plated Steel
Z	Steel, Zinc Plated		
G	Steel, Hot-dip Galvanized	CD	Cadmium-plated Steel
L	Type 304 Stainless Steel	S4	Type 304 Stainless Steel
T	Type 316 Stainless Steel	S6	Type 316 Stainless Steel
		S8	Type 18-8 Stainless Steel

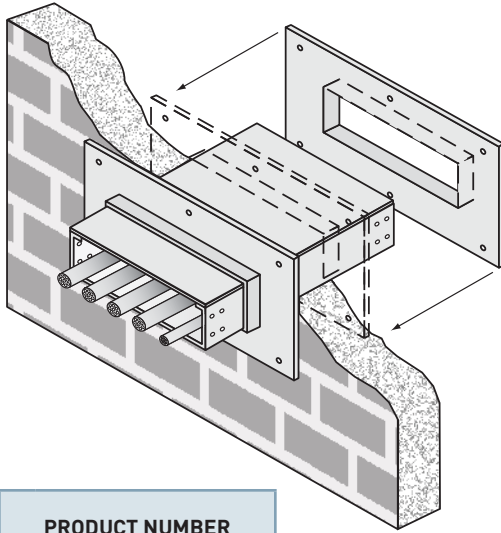
PW CABLE TRAY

PW Cable Tray Ladder, Trough & Solid Bottom Metallic — Firestop Systems

PW CABLE TRAY

M G T

WALL PENETRATION SLEEVE



PRODUCT NUMBER	
0440	
FASTENER OPTIONS	
CD	Cadmium-plated Steel
S6	316 Stainless Steel

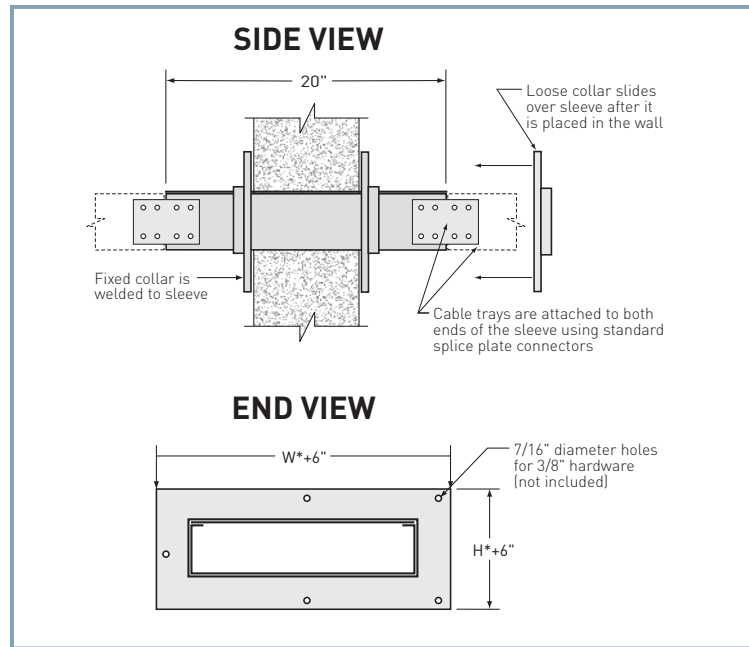
Each cable tray firestop sleeve includes:

- One penetration sleeve with flanges
- Hilti Fire Blocks
- One Hilti Firestop Putty Stick
- Hardware for cable tray connection to the wall sleeve:
 - Metallic and fiberglass cable trays with two side rails: the Firestop kit includes two pairs of splice plates with nuts & bolts. 316 stainless steel is recommended for use with fiberglass systems.
 - Cable runway systems: two J-bolts with hardware are included for connecting the cable runway to the sleeve. Sleeves are 4" deep for all runway systems.

Fabricated cable tray fire stop sleeves from Legrand/Cablofil, combined with Hilti Firestop products, are an economical alternative to the high cost of fabricating protective fire wall and floor penetration sleeves in the field.

This firestop system provides a rigid support for cable tray in a UL classified system approved for fire wall and floor penetrations. After the sleeve is placed in the wall or floor, the loose collar slides over it. Hardware for the tray connection only is included. Hardware required to mount sleeves to the wall or floor is not included.

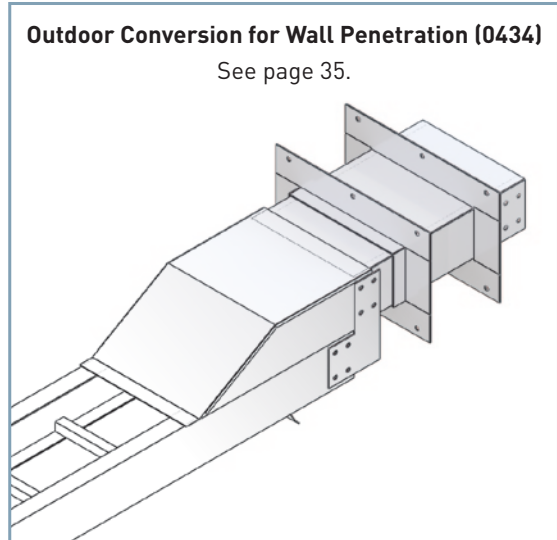
The Hilti Fire Block is a compressible fire stop brick, well-suited for installations where frequent cable changes may be required. Blocks are easily cut to fit any space, and can be removed and reinstalled when cable configurations change. When exposed to fire, the blocks expand to lock the seal in place.



NUMBER OF HILTI FIRE BLOCKS INCLUDED WITH EACH SLEEVE				
SLEEVE WIDTH	SIDE RAIL HEIGHT (IN.)			
	4	5	6	7
6	2	2	3	3
9	3	3	4	4
12	3	4	5	6
18	5	6	7	8
24	6	8	9	11
30	8	10	12	14
36	9	12	14	16

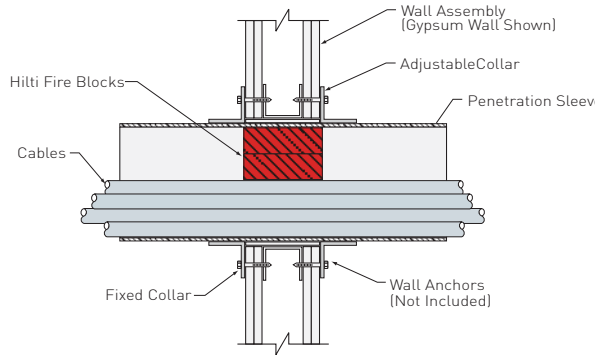


UL classified for use with:
 2-hr concrete or block walls
 2-hr concrete floors
 1-hr gypsum walls
 2-hr gypsum walls

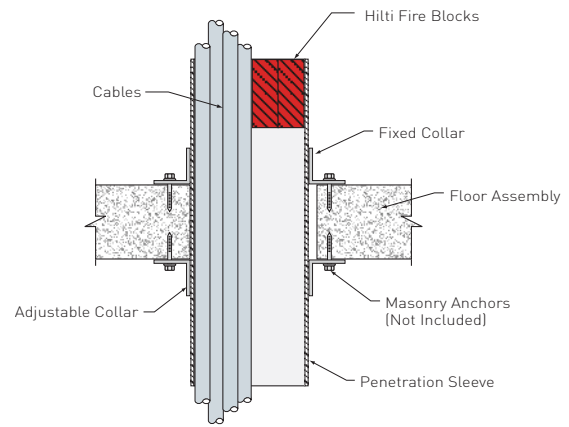


Outdoor Conversion for Wall Penetration (0434)
See page 35.

Floor Firestop Sleeve Example
0440 product used as a floor sleeve per UL assembly
W-L-3226 and C-AJ-3232



Floor Firestop Sleeve Example
0440 product used as a floor sleeve per UL assembly
F-A-3022



WALL/FLOOR SLEEVE DESCRIPTION

Designed for single runs of cable tray, having a height and width to match the tray system specified. One end of the 20 inch sleeve has a flange attached 6 inches from the end, while the flange for the other end is "floating" and is free to slide directly against the face of the wall as needed. The 20 inch length of the sleeve will accommodate a wall thickness of up to 8 inches. A wall thickness of 8 inches will result in the sleeve protruding 6 inches from each side of the wall. Both ends of the sleeve are punched with holes for attaching cable tray splice plates or hardware needed for the tray system specified.

INSTALLATION

The opening in the wall should be within 1 inch of the nominal height and width of the cable tray. The flanges of the sleeve have 7/16" diameter mounting holes for attachment to the wall using 3/8" diameter hardware. Hardware for wall attachment is not included. After the sleeve is mounted in the wall or floor, the cable trays on either side of the sleeve can be connected using the hardware supplied with the sleeve. When the trays are in place, the cables should be pulled through the wall and sleeve as needed. After all of the cables are installed in the tray, install the Fire Blocks as described. Any voids between cables should be filled with the Firestop Putty Stick.

TECHNICAL DATA

- ConstructionArc Welded
- Sleeve
- Dimensions20" x Tray Width x Tray Height
- Flange
- Dimensions(Tray Width + 6") x (Tray Height + 6")
- UL ClassificationQualifies for use as an equipment grounding conductor per N.E.C. 392.7. Cross-sectional area and amperage ratings are based on the cable tray system attached to the sleeve.

HILTI FIRE BLOCKS INSTALLATION:

- Walls:** Hilti Fire Blocks shall be installed with 5" dimension projecting through and centered within wall assembly.
- Floors:** Hilti Fire Blocks shall be installed with 5" dimension projecting through opening, flush with the top surface of sleeve or recessed within sleeve at any level above the top surface of floor. Fire blocks fill the annular space between the cables and the sleeve. Fire Blocks may be cut to match the profile of cables or to fit opening. Any voids should be filled with 0618 Firestop Putty Stick.

WALL PENETRATION SLEEVE CATALOG NUMBERING EXAMPLE:

