

## Pin and Sleeve Devices

### INDEX

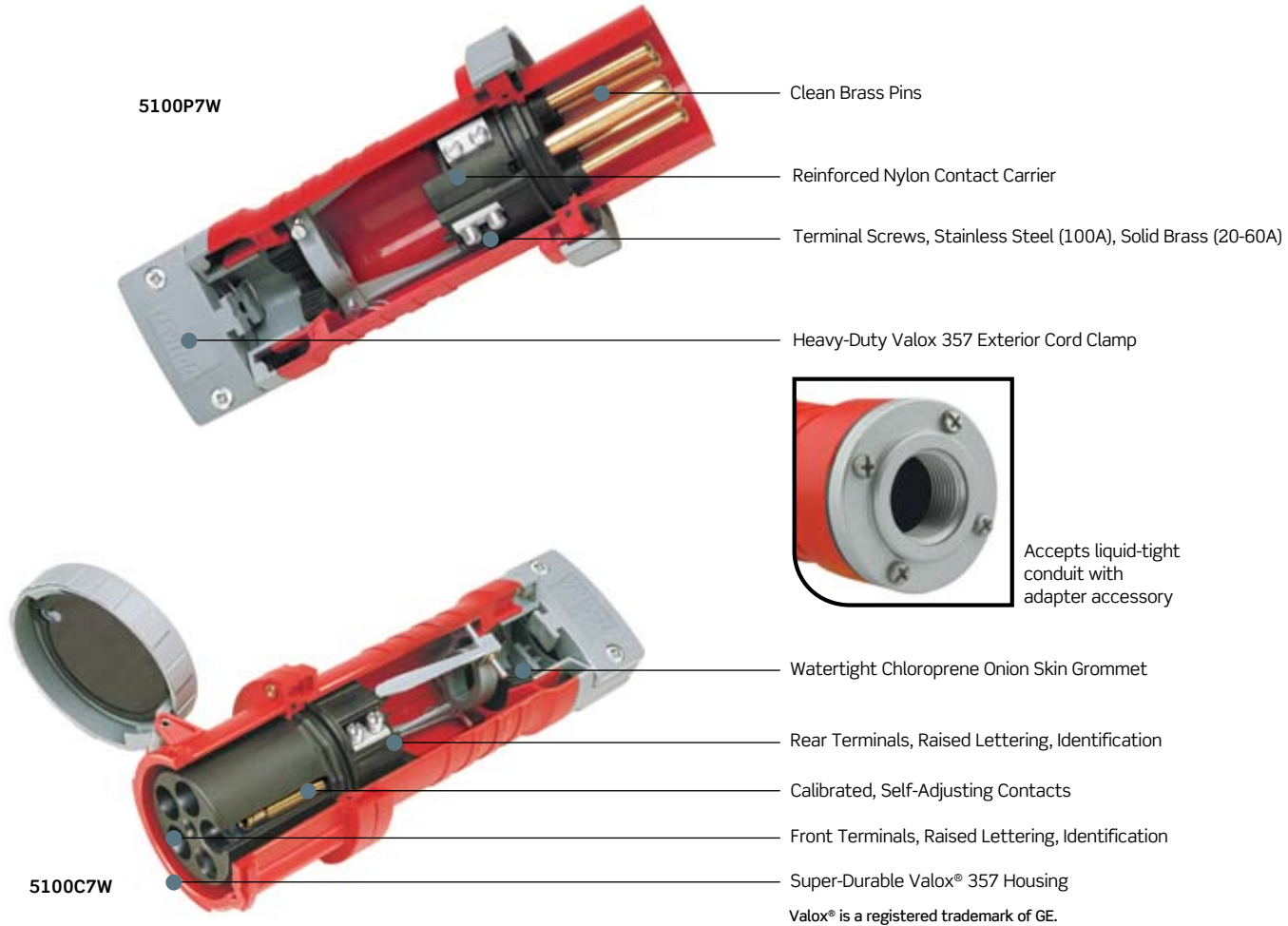
	Industrial Grade North American Rated
20A-30A .....	430
60A-100A .....	431

	Industrial Grade
Mechanical Interlocks .....	438

	Industrial Grade
International Rated 16A-125A .....	445
Valox® Back Boxes .....	450
Watertight Hubs & Closure Caps .....	452
Lockout/Tagout Devices .....	452
Accessories .....	453
Catalog Numbering System Chart .....	454

## Industrial Grade - North American Rated

### The Watertight Line. Superior Connection...Superior Protection



#### Features and Benefits

- Rugged housing, made of superior performance Valox 357, provides maximum corrosion protection and makes the device resistant to impact and abuse; greater resistance to temperature extremes, V-0 flame rated and superior UV stability
- Contact carrier resists arcing and internal heat build-up; 60 and 100 amp contact/pin carriers are made of reinforced nylon for even greater strength and temperature resistance
- Solid brass terminal screws on 20A, 30A and 60A devices provide maximum clamping pressure
- Stainless steel terminal screws and terminals on 100A devices provide corrosion resistance in caustic environments
- Dependable, clean brass construction for long life, reliable electrical contact, maximum conductivity, and corrosion resistance
- Watertight Chloroprene onion skin grommet provides a precise, reliable seal at the cable entry point
- Ground, neutral and phase terminals are clearly identified by color coding or letters and numbering on both front and back side
- Multiple contact points assure a continuously reliable electrical connection
- Engineered to IP67 Watertight Standards
- North American Rated Devices 20, 30, 60 and 100 Amp
- Meets North American IEC 60309-1 and 60309-2 Standards
- UL Rated for both 50 and 60 Hz applications
- Rockwell Automation Encompass™ Product Partner
- Limited Two-Year Warranty

## Industrial Grade - North American Rated



### Super Tough Housing

- Provides maximum protection from abuse and environment
- Heavy-wall molding of Valox 357 resists impact, heat, flame and chemicals
- Superior performance in low-to-high ambient temperature extremes (-40°C to 60°C)
- Excellent UV stability for superior outdoor performance (UL1682)
- V-0 flammability rating
- Fully insulated
- Color-coded by voltage for easy identification



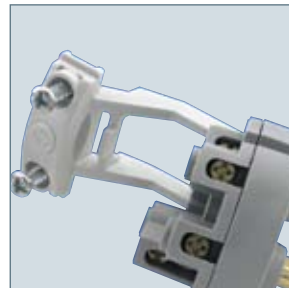
### Pin & Contact Carrier 60 & 100 Amp

- Protects pins & contacts, holding them firmly in place
- Pin Carrier and Contact Carrier constructed of glass fiber reinforced nylon for maximum impact resistance and maximum protection of pins and contacts
- Superior arc-tracking resistance
- Excellent heat-resistance and flame resistance
- Chamfered wire entry makes wiring easier



### External Cord Clamp

- Protects terminals from strain
- Accommodates a wide variety of cord sizes
- Excellent impact strength
- Excellent UV stability for superior outdoor performance (UL1682)
- V-0 flammability rating
- Accepts wire mesh strain relief



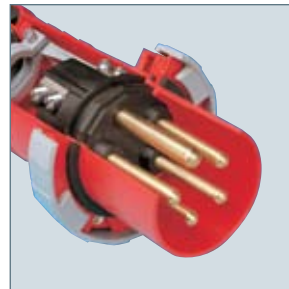
### Pin & Contact Carrier 20 & 30 Amp

- Pin Carrier and Contact Carrier constructed of nylon for maximum impact resistance and maximum protection of pins and contacts
- Terminal screws are aligned on a single plane for easier access
- Internal hinged cord clamp adds strain-relief and swings aside when wiring terminals
- Large diameter combination head terminal screws



### Internal Cord Clamp

- Secondary method for eliminating strain on terminals and conductors
- True IEC 60309-1 & 60309-2 acceptance
- Constructed of sturdy thermoplastic for tough environments
- Removes easily for user convenience



### Pins

- Designed for manageable insertion/withdrawal force
- Clean brass construction resists corrosion, provides superior contact and low electrical resistance
- Rounded tips reduce insertion force and decrease wear on the contact surface area



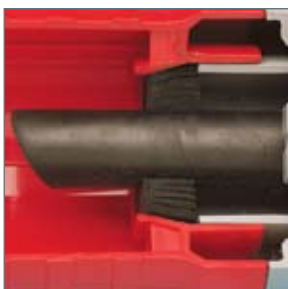
### Spring Loaded Cover, Cover Arm, & Locking Rings

- Rings lock plug to connector
- Spring loaded cover closes automatically
- "Performance grade" Stainless Steel cover spring for superior corrosion-resistance and long life
- Excellent UV stability for outdoor use
- V-0 flammability rating
- Interior arm design in 60 and 100 amp helps eliminate breakage



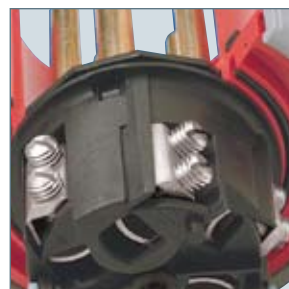
### Sleeves (Contacts)

- Designed for manageable insertion/withdrawal force
- Clean brass construction resists corrosion, provides superior contact and low electrical resistance
- Self-adjusting, machine-calibrated contacts for accurate contact pressure designed for superior wiping and cleaning action
- Made from high performance Swedish Industrial Standard (SIS) Brass 5170-04
- Positioned at sleeve entrance, stainless steel spring enables pin cleaning at earliest point of entry



### Gasket/Grommet

- Prevents moisture, dust, and contaminants from entering housing or pin/contact carrier
- Solid Chloroprene for positive seal and excellent chemical/corrosion-resistance
- Onion skin design on grommet provides precise watertight fit, eliminating the need to choose from multiple grommets that may not fit the cable jacket precisely



### Terminal Screws

- Engineered to provide maximum holding power and lowest electrical resistance
- Accepts a wide range of conductors
- Double screws ensure secure connection
- Direct bearing pressure terminals for 20, 30 and 60 Amp ratings; pressure clamp termination for 100 Amp devices
- Stainless steel terminal screws and terminals for top performance on 100 Amp



## Industrial Grade - North American Rated

### 20 AMP and 30 AMP Watertight Pin & Sleeve Devices

#### Specifications and Features

- Engineered to IP67 Watertight Standards
- Meets North American IEC 60309-1 and 60309-2 Standards
- Limited Two-Year Warranty



PLUG — 320P4W



CONNECTOR — 320C4W



RECEPTACLE — 420R9W



INLET — 420B9W



BACK BOX — BX230-V

### 20 AMP AND 30 AMP WATERTIGHT PIN & SLEEVE DEVICES

Amps	Wiring	Voltage AC	Connector/ Receptacle	Plug/ Inlet	Cat. No. Plug	Cat. No. Connector	Cat. No. Receptacle	Cat. No. Inlet	Cat. No. Back Box
20	2p3w	125			320P4W	320C4W	320R4W	320B4W	BX230-V
	2p3w	250			320P6W	320C6W	320R6W	320B6W	BX230-V
	2p3w	480			320P7W	320C7W	320R7W	320B7W	BX230-V
	3p4w	125/250			420P12W	420C12W	420R12W	420B12W	BX230-V
	3p4w	3Ø250			420P9W	420C9W	420R9W	420B9W	BX230-V
	3p4w	3Ø480			420P7W	420C7W	420R7W	420B7W	BX230-V
	3p4w	3Ø600			420P5W	420C5W	420R5W	420B5W	BX230-V
	4p5w	3ØY120/208			520P9W	520C9W	520R9W	520B9W	BX230-V
	4p5w	3ØY277/480			520P7W	520C7W	520R7W	520B7W	BX230-V
	4p5w	3ØY347/600			520P5W	520C5W	520R5W	520B5W	BX230-V
30	2p3w	125			330P4W	330C4W	330R4W	330B4W	BX230-V
	2p3w	250			330P6W	330C6W	330R6W	330B6W	BX230-V
	2p3w	480			330P7W	330C7W	330R7W	330B7W	BX230-V
	3p4w	125/250			430P12W	430C12W	430R12W	430B12W	BX230-V
	3p4w	3Ø250			430P9W	430C9W	430R9W	430B9W	BX230-V
	3p4w	3Ø480			430P7W	430C7W	430R7W	430B7W	BX230-V
	3p4w	3Ø600			430P5W	430C5W	430R5W	430B5W	BX230-V
	4p5w	3ØY120/208			530P9W	530C9W	530R9W	530B9W	BX230-V
	4p5w	3ØY277/480			530P7W	530C7W	530R7W	530B7W	BX230-V
	4p5w	3ØY347/600			530P5W	530C5W	530R5W	530B5W	BX230-V



### 60 AMP and 100 AMP Watertight Pin & Sleeve Devices

#### Specifications and Features

- Engineered to IP67 Watertight Standards
- Meets North American IEC 60309-1 and 60309-2 Standards
- Limited Two-Year Warranty



PLUG — 4100P12W



CONNECTOR — 4100C12W



RECEPTACLE — 360R6W



INLET — 360B7W



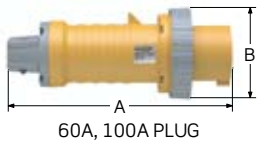
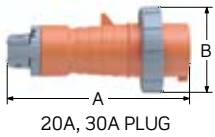
BACK BOX — BX100-V

### 60 AMP AND 100 AMP WATERTIGHT PIN & SLEEVE DEVICES

AMPS	Wiring	Voltage AC	Connector/ Receptacle	Plug/ Inlet	Cat. No. Plug	Cat. No. Connector	Cat. No. Receptacle	Cat. No. Inlet	Cat. No. Back Box
60	2p3w	125			360P4W	360C4W	360R4W	360B4W	BX60-V
	2p3w	250			360P6W	360C6W	360R6W	360B6W	BX60-V
	2p3w	480			360P7W	360C7W	360R7W	360B7W	BX60-V
	3p4w	125/250			460P12W	460C12W	460R12W	460B12W	BX60-V
	3p4w	3Ø250			460P9W	460C9W	460R9W	460B9W	BX60-V
	3p4w	3Ø480			460P7W	460C7W	460R7W	460B7W	BX60-V
	3p4w	3Ø600			460P5W	460C5W	460R5W	460B5W	BX60-V
	4p5w	3ØY120/208			560P9W	560C9W	560R9W	560B9W	BX60-V
	4p5w	3ØY277/480			560P7W	560C7W	560R7W	560B7W	BX60-V
	4p5w	3ØY347/600			560P5W	560C5W	560R5W	560B5W	BX60-V
100	2p3w	125			3100P4W	3100C4W	3100R4W	3100B4W	BX100-V
	2p3w	250			3100P6W	3100C6W	3100R6W	3100B6W	BX100-V
	2p3w	480			3100P7W	3100C7W	3100R7W	3100B7W	BX100-V
	3p4w	125/250			4100P12W	4100C12W	4100R12W	4100B12W	BX100-V
	3p4w	3Ø250			4100P9W	4100C9W	4100R9W	4100B9W	BX100-V
	3p4w	3Ø480			4100P7W	4100C7W	4100R7W	4100B7W	BX100-V
	3p4w	3Ø600			4100P5W	4100C5W	4100R5W	4100B5W	BX100-V
	4p5w	3ØY120/208			5100P9W	5100C9W	5100R9W	5100B9W	BX100-V
	4p5w	3ØY277/480			5100P7W	5100C7W	5100R7W	5100B7W	BX100-V
	4p5w	3ØY347/600			5100P5W	5100C5W	5100R5W	5100B5W	BX100-V

## Industrial Grade - North American Rated

### PLUG DIMENSIONS



Cat. No.	Amps	Unit (inches)		Unit (mm)		Cord Grip Range (Inches)	Cord Grip Range (mm)
		A	B	A	B		
320P	20	5.83	2.80	148	71	.350-.860	9-22
420P	20	6.46	3.11	164	79	.350-.860	9-22
520P	20	6.61	3.43	168	87	.437-1.187	11-30
330P	30	6.85	3.70	174	94	.437-1.187	11-30
430P	30	6.85	3.70	174	94	.437-1.187	11-30
530P	30	7.40	3.98	188	101	.437-1.450	11-37
360P	60	10.83	4.49	275	114	.670-1.625	17-41
460P	60	10.83	4.49	275	114	.670-1.625	17-41
560P	60	10.83	4.49	275	114	.670-1.625	17-41
3100P	100	12.3	5	312	127	.950-1.875	24-48
4100P	100	12.3	5	312	127	.950-1.875	24-48
5100P	100	12.3	5	312	127	.950-1.875	24-48

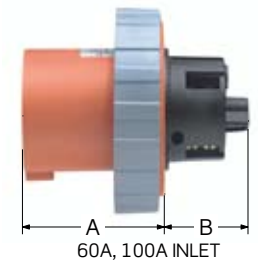
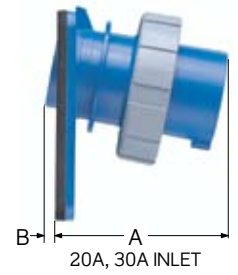
### CONNECTOR DIMENSIONS



Cat. No.	Amps	Unit (inches)		Unit (mm)		Cord Grip Range (Inches)	Cord Grip Range (mm)
		A	B	A	B		
320C	20	6.73	3.19	171	81	.350-.860	9-22
420C	20	7.36	3.46	187	88	.350-.860	9-22
520C	20	7.95	3.82	202	97	.437-1.187	11-30
330C	30	7.95	4.02	202	102	.437-1.187	11-30
430C	30	7.95	4.02	202	102	.437-1.187	11-30
530C	30	8.27	4.29	210	109	.437-1.450	11-37
360C	60	11.26	4.41	286	112	.670-1.625	17-41
460C	60	11.26	4.41	286	112	.670-1.625	17-41
560C	60	11.26	4.41	286	112	.670-1.625	17-41
3100C	100	12.8	4.84	325	123	.950-1.875	24-48
4100C	100	12.8	4.84	325	123	.950-1.875	24-48
5100C	100	12.8	4.84	325	123	.950-1.875	24-48

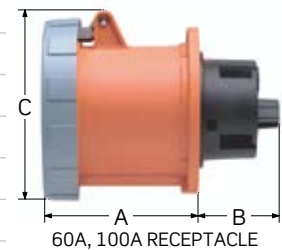
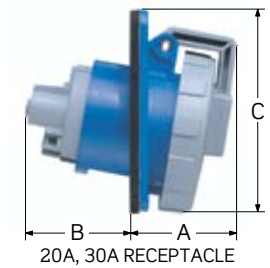
### INLET DIMENSIONS

Cat. No.	Amps	Unit (inches)		Unit (mm)	
		A	B	A	B
320B	20	1.85	0.39	47	10
420B	20	2.09	0.39	53	10
520B	20	2.32	0.39	59	10
330B	30	2.36	0.47	60	12
430B	30	2.36	0.47	60	12
530B	30	2.64	0.47	67	12
360B	60	3.15	1.97	80	50
460B	60	3.15	1.97	80	50
560B	60	3.15	1.97	80	50
3100B	100	3.50	2.21	89	56
4100B	100	3.50	2.21	89	56
5100B	100	3.50	2.21	89	56



### RECEPTACLE DIMENSIONS

Cat. No.	Amps	Unit (inches)			Unit (mm)		
		A	B	C	A	B	C
320R	20	1.77	2.24	3.74	45	57	95
420R	20	1.77	2.24	3.74	45	57	95
520R	20	1.85	2.24	3.90	47	57	99
330R	30	2.20	2.40	4.10	56	61	104
430R	30	2.20	2.40	4.10	56	61	104
530R	30	2.20	2.44	4.37	56	62	111
360R	60	3.50	1.89	4.37	89	48	111
460R	60	3.50	1.89	4.37	89	48	111
560R	60	3.50	1.89	4.37	89	48	111
3100R	100	3.94	2.28	4.80	100	58	122
4100R	100	3.94	2.28	4.80	100	58	122
5100R	100	3.94	2.28	4.80	100	58	122

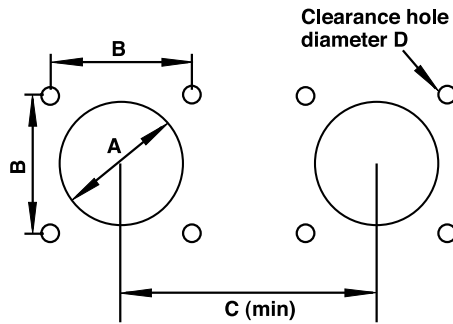




## Industrial Grade - North American Rated

### DRILLING PLAN (INLETS & RECEPTACLES) DIMENSIONS

Device Size		A		B		C (min)		D	
		inches	mm	inches	mm	inches	mm	inches	mm
20A; 3-wire:	Receptacle	3.26	83	3.12	79.5	3.94	100	0.185	4.7
	Inlet	3.26	83	3.12	79.5	3.94	100	0.185	4.7
20A; 4-wire:	Receptacle	3.26	83	3.12	79.5	4.33	110	0.185	4.7
	Inlet	3.26	83	3.12	79.5	4.33	110	0.185	4.7
20A; 5-wire:	Receptacle	3.26	83	3.12	79.5	4.92	125	0.236	6.0
	Inlet	3.26	83	3.12	79.5	4.92	125	0.185	4.7
30A; 3-wire:	Receptacle	3.26	83	3.12	79.5	5.12	130	0.236	6.0
	Inlet	3.26	83	3.12	79.5	5.12	130	0.185	4.7
30A; 4-wire:	Receptacle	3.26	83	3.12	79.5	5.12	130	0.236	6.0
	Inlet	3.26	83	3.12	79.5	5.12 <td 130	0.185	4.7	
30A; 5-wire:	Receptacle	3.26	83	3.12	79.5	5.71	145	0.236	6.0
	Inlet	3.26	83	3.12	79.5	5.71	145	0.185	4.7
60A	All	2.76	70	2.40	61	6.69	170	0.224	5.7
100A	All	3.47	88	2.80	71	7.87	200	0.280	7.1



## North American Watertight

### Specifications and Features

- Rockwell Automation Encompass™ Product Partner
- Listed to UL 1682 and 1686
- Certified to CSA Standard C22.2 number 182.1
- Classified to IEC Standards 60309-1 and 60309-2 for both North American-rated and International-rated voltages and services
- CE marking per low-voltage directives 73/23/EEC, 93/68/EEC

### MATERIAL SPECIFICATIONS

Description	Part	Material
Inlets	Housing	Valox® 357
	Locking Ring	Valox 357
	Mounting Flange	Valox 357
	Contact Carrier	Nylon for 20 and 30 Amp devices; Reinforced nylon for 60 and 100 Amp devices
	Phase, Ground Pins	Brass
	20, 30, 60A Terminal Screws	Brass
	100A Terminal Screws	Stainless Steel
	Sealing Gasket	Solid Chloroprene

Description	Part	Material
Plugs	Housing	Valox® 357
	Locking Ring	Valox 357
	Sealing Gasket	Solid Chloroprene
	Internal Cord Clamp Assembly	Thermoplastic
	External Cord Clamp Assembly	Valox 357
	Gland Cap	Valox 357
	Grommet	Chloroprene Onion Skin
	Contact Carrier	Nylon for 20 and 30 Amp devices; Reinforced nylon for 60 and 100 Amp devices
	Ground, Phase Pins	Brass
	20, 30, 60A Terminal Screws	Brass
	100A Terminal Screws	Stainless Steel
	Internal Screws	Zinc-plated Steel
	External Screws	Acid-proof Stainless Steel
Connectors	Housing	Valox 357
	Internal Cord Clamp Assembly	Thermoplastic
	External Cord Clamp Assembly	Valox 357
	Gland Cap	Valox 357
	Grommet	Chloroprene Onion Skin
	Cover with Arm	Valox 357
	Arm Spring	“Performance Grade” Stainless Steel
	Cover Eyelet	Nickel-Plated Brass
	Sealing Gasket	Solid Chloroprene
	Contact Carrier	Nylon for 20 and 30 Amp devices; Reinforced nylon for 60 and 100 Amp devices
	Phase, Ground Sleeve	Brass
	Sleeve Spring	Stainless Steel
	20, 30, 60A Terminal Screws	Brass
	100A Terminal Screws	Stainless Steel
	Internal Screws	Zinc-plated Steel
External Screws	Acid-proof Stainless Steel	
Receptacles	Housing	Valox 357
	Mounting Flange	Valox 357
	Cover with Arm	Valox 357
	Arm Spring	“Performance Grade” Stainless Steel
	Cover Eyelet	Nickel-Plated Brass
	Sealing Gasket	Solid Chloroprene
	20, 30, 60A Terminal Screws	Brass
	100A Terminal Screws	Stainless Steel
	Phase, Ground Sleeves	Brass
	Sleeve Spring	Stainless Steel

Valox® is a registered trademark of GE.

#### TESTING AND CODE COMPLIANCE

- UL Listed 1682 & 1686 (File #E164321 & E164322)
- CSA Listed C22.2 #182.1 (File #LR700925)
- CE and IEC Certified (File #60309-1 & 60309-2)

## Industrial Grade - North American Rated

### PERFORMANCE SPECIFICATIONS — UL 1682 & 1686

#### Electrical



460P7W

Category	Specifications										
Dielectric Voltage	Devices rated $\leq 300V$ : 2000V for 1 min. Devices rated $> 300V$ : 3000V for 1 min.										
Insulation Resistance	500 V for 1 min. Insulation Resistance $\geq 5$ megohms										
Ground Path Current	Apply high current for short time and maintain continuity										
Overload	150% of rated current and 100% of rated voltage for 50 cycles (Power factor 0.75-0.80)										
Current Interrupting	Certified for current interrupting at full-rated current and voltage										
Temperature Rise	Max 30°C rise at full rated current (after overload)										
Resistance to Arcing	Continuation of overload for additional 200 cycles										
Endurance with Load	<table border="1"> <thead> <tr> <th>Device</th> <th># Cycles with Load</th> </tr> </thead> <tbody> <tr> <td>20A</td> <td>5000 Rated Current, Voltage</td> </tr> <tr> <td>30A, 60A</td> <td>1000 Rated Current, Voltage</td> </tr> <tr> <td>100A</td> <td>250 Rated Current, Voltage</td> </tr> <tr> <td colspan="2">(Power Factor 0.75 - 0.80)</td> </tr> </tbody> </table>	Device	# Cycles with Load	20A	5000 Rated Current, Voltage	30A, 60A	1000 Rated Current, Voltage	100A	250 Rated Current, Voltage	(Power Factor 0.75 - 0.80)	
Device	# Cycles with Load										
20A	5000 Rated Current, Voltage										
30A, 60A	1000 Rated Current, Voltage										
100A	250 Rated Current, Voltage										
(Power Factor 0.75 - 0.80)											

#### Mechanical



460C12W

Category	Specifications								
Mold Stress Relief	70°C for 7 hrs								
Humidity	32°C, 93% humidity, 168 hrs								
Cable Secureness	Pull force and apply torque for 1 minute								
Impact	Drop from 30" 8 times after conditioning to -25°C, for 6 hrs								
Crush	250 lbs for 1 min after -25°C for 6 hrs								
Withdrawal Force	Pull for one minute								
Strength of Insulating Base and Support	110% of specified tightening torque on terminal screws								
Endurance	<table border="1"> <thead> <tr> <th>Device</th> <th>Total # Cycles (connect &amp; disconnect)</th> </tr> </thead> <tbody> <tr> <td>20A</td> <td>5000</td> </tr> <tr> <td>30A, 60A</td> <td>2000</td> </tr> <tr> <td>100A</td> <td>500</td> </tr> </tbody> </table>	Device	Total # Cycles (connect & disconnect)	20A	5000	30A, 60A	2000	100A	500
Device	Total # Cycles (connect & disconnect)								
20A	5000								
30A, 60A	2000								
100A	500								
Polarization Integrity	Matching devices will not mate so that ground is energized even when polarization feature is removed and 40-lb insertion force applied								

#### Environmental

Flammability	V2 or better on 20 and 30 amp devices per UL 94 or CSA 22.2 No. 0.6 ; V-0 on 60 & 100 amp devices
Resistance to Corrosion	Ferrous parts immersed in to Corrosion 10% ammonium chloride solution
Moisture Resistance per UL 1682	Watertight: Device immersed for 24 hrs in 5 cm of 25°C water Splashproof: 1" dia. water stream at 15 PSI from 10 ft. for 5 minutes
UV Resistance	Exposed plastic materials are UV stabilized



### Short-Time Grounding Test Currents

Device Rating, Amperes	Minimum Size Equipment Grounding Conductor (Copper)		Time Seconds	Test Current, Amperes
	AWG	(mm <sup>2</sup> )		
20	12	(3.3)	4	470
30	10	(5.3)	4	750
60	10	(5.3)	4	750
100	8	(8.4)	4	1180

Ground-path integrity is of critical importance to safe operation of industrial equipment. Leviton pin and sleeve devices are tested by applying a test current through their ground path that far exceeds the device rating. All devices are properly wired and connected to line current at rated values. Then the ground path is subjected to a dramatic, sudden increase in current for 4 seconds. In all cases, the ground pin, sleeve, and terminals of the devices must sustain the test current, continue to function properly, and show no evidence of damage or deterioration in any electrical or mechanical elements of the ground path. Test current values and test parameters are displayed in the above chart.

### Cord Secureness Test Values

Device Rating Amperes	Force		Torque		Maximum Displacement	
	lb	N	ft-lb	N • M	inches	mm
20	30	133	0.4	0.54	≤3/32	2.38
30	75	333	0.5	0.68	≤3/32	2.38
60	150	667	1.0	1.4	≤3/32	2.38
100	150	667	2.0	2.7	≤3/32	2.38

Heavy cord stress is typical of industrial applications. To assure you of top performance, Leviton pin and sleeve devices are subjected to a punishing series of tests to confirm they can absorb heavy cord pulls. The cord conductors wired to devices are simultaneously twisted and pulled. Values for the applied twisting torque and force of pull are shown above. In all cases, the cord displacement is less than 3/32 inches.

### Minimum Withdrawal Force

Device Rating, Amperes Amperes	Minimum Withdrawal Force	
	lb	N
20	5	22
30	6	27
60	15	67
100	20	89

In industrial settings, inadvertent disconnection of power can be troublesome at best, dangerous at worst, and unacceptable in any case. To verify that Leviton pin and sleeve plugs and connectors remain securely connected, they are tested to establish the minimum force required for withdrawal. In establishing these minimum withdrawal forces, the plugs and connectors are properly mated, but not locked with locking rings or other mechanical means. The pins and sleeves provide the only resistance to the force of withdrawal. In all cases, the values in the table above show the minimum force required to separate the plugs and connectors.

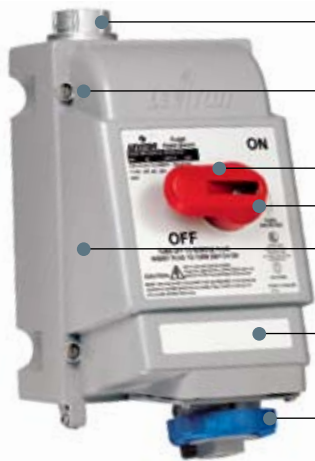
## Industrial Grade - Mechanical Interlocks

### PowerSwitch® Mechanical Interlocks

PowerSwitch Mechanical Interlock devices incorporate a safety disconnect switch and IEC receptacle in a non-metallic watertight enclosure. The interlock mechanism prevents making and breaking of power under load. The switch cannot be actuated to the ON position until an IEC compatible plug is fully inserted, and the plug cannot be removed until the switch is in the OFF position. The complete IEC 60309-1 and 60309-2 system of plugs, connectors, inlets and mechanical interlock devices can be used for both retrofit and new installations enhancing safety and performance in critical power connections.

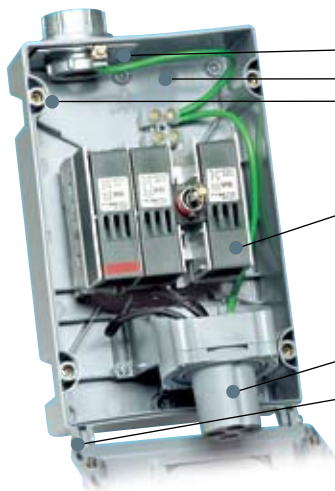
#### Specifications and Features

- 20, 30, 60 Amp Non-Fused and Fused
- 100 Amp Non-Fused and breaker
- Engineered to IP67 Watertight Standards
- Fused models accept "Class J" Time-Delay Fuses
- Backed by a Two-Year Limited Warranty



420MF9W

- Liquid-tight conduit fitting can be installed for top or bottom feed. Conduit Hub sold separately
- Stainless steel screws are captive and will not fall out when cover is opened
- Red "pistol grip" handle provides visual confirmation of switch's status
- Integrated lockout handle meets OSHA safety regulations
- Impact, UV and chemical-resistant Valox enclosure rated to UL and IEC watertight standards
  - Type 3R, 4X & 12K
  - IP67
- Circuit identification pad for means of identifying specific equipment loads
- Color-coded receptacle cover indicates voltage rating of device and seals against water and other contaminants when not in use



420MF9W

- Pre-wired grounding plate connects to metal conduit grounding system
- Generous wiring space for drip loop or top to bottom wiring
- Brass threaded inserts will not strip, provide higher torque, and form tighter seal between back box and cover
- Disconnect switch with integrated fuse holder offers proven performance in a compact package
  - Fused cartridges accept "Class J" fuses (not included)
  - One factory installed auxiliary contact (normally opened - 10 Amp). Additional auxiliary contact available
  - Easily accessible neutral and ground terminal blocks
- Pre-wired IEC receptacle accepts all manufacturer's IEC 60309-2 plugs
- Rugged hinge mechanism pivots 180° for easy access during installation and maintenance

#### TESTING AND CODE COMPLIANCE

- Meets 231 & UL 1686 Standards
- Fused UL 98 (File #E171391)
- Non-Fused - UL 508 (File #E63969)
- CSA Certified C22.2 No. 182 & No. 14 (File #LR700925)
- CE, IEC Certified (File #60309-1 & 60309-2)
- Engineered to UL & IEC Watertight Standards

PowerSwitch®

**NORTH AMERICAN WATERTIGHT BREAKERED MECHANICAL INTERLOCKS**

Stainless steel screws are captive and will not fall out when cover is opened

Red "pistol grip" handle provides visual confirmation of switch's status: ON, OFF, TRIPPED

Integrated lockout handle meets OSHA safety regulations

Circuit identification pad for means of identifying specific equipment loads

Color-coded receptacle cover indicates voltage rating of device and seals against water and other contaminants when receptacle is not in use



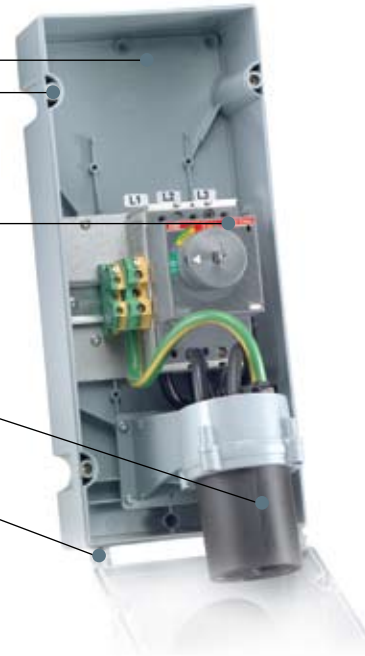
Generous wiring space for drip loop or top to bottom wiring

Brass threaded inserts resist stripping, provide higher torque, and form tighter seal between back box and cover

Circuit-Breaker integrated into switch provides overload protection

Pre-wired IEC receptacle accepts all manufacturers' IEC 60309-2 plugs

Rugged hinge mechanism pivots 180° for easy access during installation and maintenance



Liquid-tight conduit fitting can be installed for top or bottom feed. Four Mounting Feet included.

**PowerSwitch®**



## Industrial Grade - Mechanical Interlocks

### NORTH AMERICAN WATERTIGHT MECHANICAL INTERLOCKS (FUSED, BREAKERED AND NON-FUSED) TYPE 3R, 4X & 12K

IP67

AMPS	Wiring	Voltage AC	Receptacle Config.	Plug Config.	Non-Fused Mechanical Interlock	HP Rating	Fused Mechanical Interlock	HP Rating	Cat. No. Use Plug
20	2p3w	240			320MI6W	3	—	—	320P6W
	2p3w	480			320MI7W	5	—	—	320P7W
	3p4w	125/250			420MI12W	*	420MF12W	*	420P12W
	3p4w	3Ø240			420MI9W	10	420MF9W	5	420P9W
	3p4w	3Ø480			420MI7W	20	420MF7W	10	420P7W
	3p4w	3Ø600			420MI5W	25	420MF5W	15	420P5W
	4p5w	3ØY120/208			520MI9W	10	—	—	520P9W
	4p5w	3ØY277/480			520MI7W	20	—	—	520P7W
	4p5w	3ØY347/600			520MI5W	25	—	—	520P5W
30	2p3w	240			330MI6W	5	—	—	330P6W
	2p3w	480			330MI7W	10	—	—	330P7W
	3p4w	125/250			430MI12W	*	430MF12W	*	430P12W
	3p4w	3Ø240			430MI9W	10	430MF9W	7.5	430P9W
	3p4w	3Ø480			430MI7W	20	430MF7W	15	430P7W
	3p4w	3Ø600			430MI5W	25	430MF5W	20	430P5W
	4p5w	3ØY120/208			530MI9W	10	—	—	530P9W
	4p5w	3ØY277/480			530MI7W	20	530MF7W	15	530P7W
	4p5w	3ØY347/600			530MI5W	25	530MF5W	20	530P5W

\*Consult factory for your specific application.



420MF9W



560MI7W

**PowerSwitch®**

#### TESTING AND CODE COMPLIANCE

- Engineered to UL & IEC Watertight Standards

### TYPE 3R, 4X & 12K IP67

AMPS	Wiring	Voltage AC	Receptacle Config.	Plug Config.	Non-Fused Mechanical Interlock	HP Rating	Fused Mechanical Interlock	HP Rating	Cat. No. Use Plug
60	2p3w	240			360MI6W	10	360MF6W	*	360P6W
	2p3w	480			360MI7W	20	—	—	360P7W
	3p4w	125/250			460MI12W	*	460MF12W	*	460P12W
	3p4w	3Ø240			460MI9W	20	460MF9W	15	460P9W
	3p4w	3Ø480			460MI7W	40	460MF7W	30	460P7W
	3p4w	3Ø600			460MI5W	40	460MF5W	50	460P5W
	4p5w	3ØY120/208			560MI9W	20	560MF9W	15	560P9W
	4p5w	3ØY277/480			560MI7W	40	—	—	560P7W
	4p5w	3ØY347/600			560MI5W	40	—	—	560P5W

\*Consult factory for your specific application.  
Fused Models Accept "Class J" Time-Delay Fuses.

### TYPE 3R, 4X & 12K IP67

AMPS	Wiring	Voltage AC	Receptacle Config.	Plug Config.	Non-Fused Mechanical Interlock	HP Rating	Breakered Mechanical Interlock	Cat. No. Use Plug
100	2p3w	125			3100MI4W	5*	—	3100P4W
	2p3w	240			3100MI6W	15	—	3100P6W
	2p3w	480			3100MI7W	25	—	3100P7W
	3p4w	125/250			4100MI12W	15*	—	4100P12W
	3p4w	3Ø240			4100MI9W	30	4100MB9W	4100P9W
	3p4w	3Ø480			4100MI7W	50	4100MB7W	4100P7W
	3p4w	3Ø600			4100MI5W	50	—	4100P5W
	4p5w	3ØY120/208			5100MI9W	25	5100MB9W	5100P9W
	4p5w	3ØY277/480			5100MI7W	50	—	5100P7W
	4p5w	3ØY347/600			5100MI5W	50	—	5100P5W

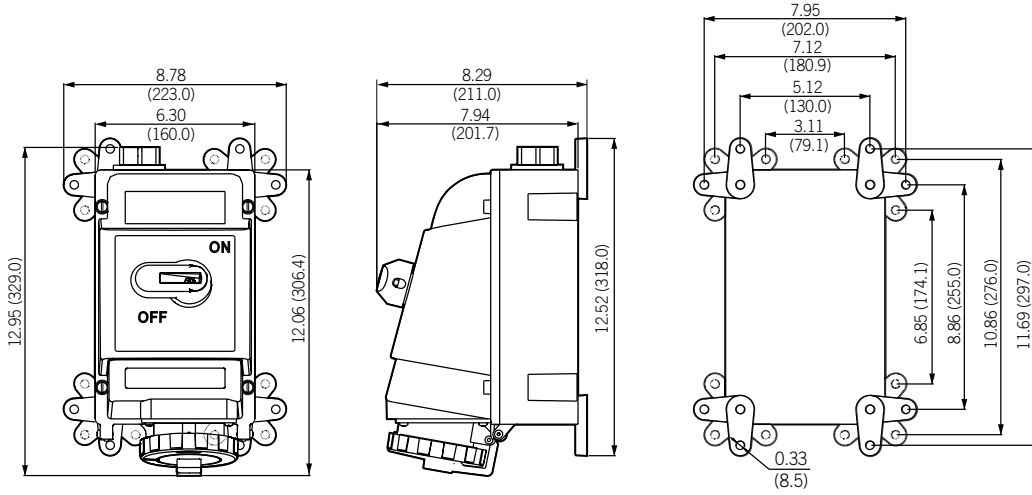
\*Consult factory for your specific application.

#### TESTING AND CODE COMPLIANCE

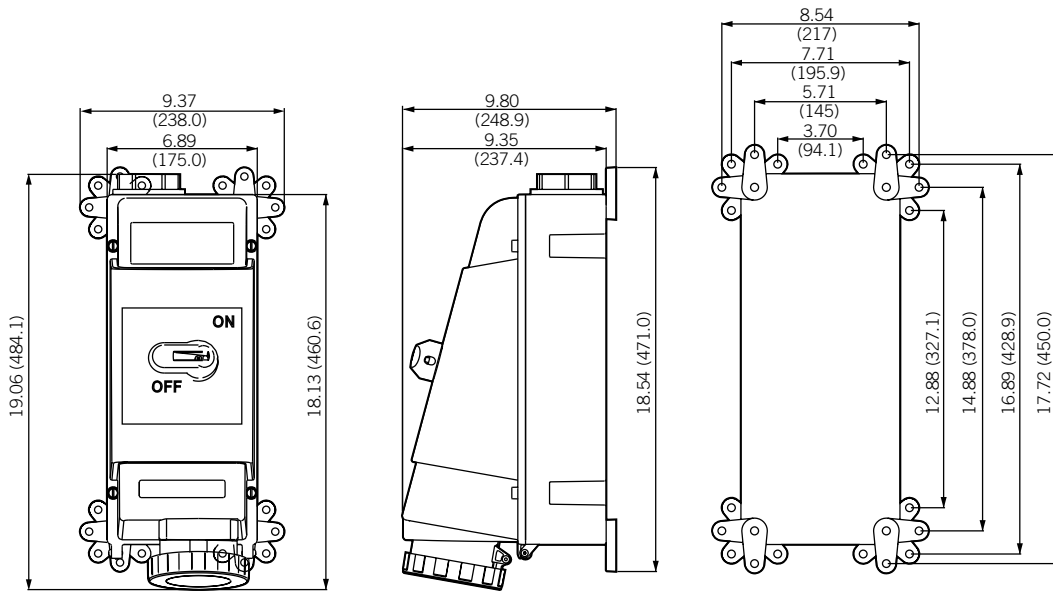
- Engineered to UL & IEC Watertight Standards
- Enclosures are rated Type 3R, 4X & 12K, IP67
- Listed to UL 231 & 1686
- Certified to CSA Standard C22.2 number 182.1& 14
- Classified to IEC Standards 60309-1 and 60309-2 for both North American-rated voltages and services
- CE marking per low-voltage directives 73/23/EEC, 93/68/EEC
- Switches are listed to UL 508 for Non-Fused & UL 98 for Fused models (including 100 Amp Non-Fused and breakered models)

## Industrial Grade - Mechanical Interlocks

### DIMENSIONS



20 AMP & 30 AMP FUSED AND NON-FUSED



60 AMP FUSED & NON-FUSED & 100 AMP NON-FUSED AND BREAKER



### North American Watertight Mechanical Interlocks (20, 30, 60 & 100A)

#### Specifications and Features

- Enclosures are rated Type 3R, 4X & 12K, IP67
- Listed to UL 231 and 1686
- Certified to CSA Standard C22.2 number 182.1& 14
- Classified to IEC Standards 60309-1 and 60309-2
- CE marking per low-voltage directives 73/23/EEC, 93/68/EEC
- Switches are listed to UL 508 for Non-Fused and UL 98 for Fused models (including 100 Amp Non-Fused) and breaker models

#### MATERIAL SPECIFICATIONS

20 and 30 Amp Devices		Additional Components for 60 Amp Devices	
Part	Material	Part	Material
Housing Cover	Valox® 357	Ground Buss	Brass
Housing Base	Valox 357	Neutral Buss	Brass
Cover with Arm	Valox 357	Actuator Shaft	Zinc-Coated Steel
Locking Ring	Valox 357	Contact Carrier	Reinforced Nylon
Cover Arm Eyelet	Nickel-Plated Brass	Locking Mechanism	Valox 357
Housing Gasket	Solid Chloroprene		
Sealing Gasket	Solid Chloroprene		
Handle	Valox 357		
Actuator Shaft	Zinc-Coated Steel		
Locking Mechanism	Valox 357		
Contact Carrier	Nylon		
Phase and Ground Sleeves	Brass	Additional Components for 100 Amp Devices	
		Part	Material
Ground Contact	Brass	Ground Terminal	Plated Brass/ Steel
Conduit Grounding Plate	Zinc-Coated Steel	Ground Terminal Block	Nylon
Switch	Reinforced Nylon	Neutral Terminal	Plated Brass/Steel
Switch Terminal Contacts	Brass	Neutral Terminal Block	Nylon
Switch Contacts	Cadmium-Free Silver Alloy	Terminal Shaft	Die-Cast Aluminum
Internal Screws	Zinc-Coated Steel	Key	Aluminum
Housing Screws	Stainless Steel	Actuator Shaft	Zinc-Coated Steel
		Contact Carrier	Reinforced Nylon
		Switch	Reinforced Nylon
		Locking Mechanism	Valox 357

Valox® is a registered trademark of GE.



PowerSwitch®

## Industrial Grade - Mechanical Interlocks

### PERFORMANCE SPECIFICATIONS

#### Electrical

Description	Device	Current Applied	Duration
Ground Path Integrity	20A	40A	2 min.
	30A	60A	2 min.
	60A	120A	4 min.
	100A	200A	6 min.

Description	Result
Current Interrupting	Certified for current interrupting at full-rated current and voltage
Endurance	6000 operations at rated current and voltage (Power Factor 0.75 — 0.80)
Dielectric	1000 V plus rated voltage for 1-minute

#### Mechanical

Description	Result
Mold Stress Relief	70°C for 7 hours
Crush	100 lb
Impact	1.2 lb steel ball dropped from 5 ft
Cold Impact	Same as above, after conditioning to -35°C
Strength of Insulating Base and Support	110% of specified tightening torque on terminal screws
Pullout	18 lb pull on internal wires

#### Environmental

Description	Result
Flammability	No 0.6; V-0 for watertight enclosure
Rain (3R) per UL 50	Water spray @ 5 psi from all sides for 1 hr
Hosedown (4X) per UL 50	Water spray @ 65 gal/min for 5 min.
Dust (12K) per UL 50	Cement Dust Circulated @ 1000 ft/minute for 5 minutes
Gasket Aging	70°C for 168 hours
UV Resistance	Exposed plastic materials are UV stabilized
Operating Temperature	-40°C to +60°C (-40°F to +140°F)

#### TESTING AND CODE COMPLIANCE

Meets the following Certification Standards

- UL 231 & 1686
- UL 98 Fused
- UL 508 Non-Fused
- CSA C22.2
- CE
- Certified IEC 60309-1 & 60309-2

### International-Rated Devices

Leviton offers international-rated pin and sleeve devices available in 16, 32, 63 and 125 Amps. These IEC 60309-1 and 60309-2 compliant devices are ideal for use overseas where voltage and amperage requirements differ from North American standards, but where rigorous performance, quality, and reliability criteria need to be met.

16, 32 and 63 Amp devices have an environmental classification of splashproof (IP44), and 125 Amp devices are classified as watertight (IP67).

#### Specifications and Features

- Rockwell Automation Encompass™ Product Partner
- Classified to IEC Standards 60309-1 and 60309-2
- CE Marking per low-voltage directives 73/23/EEC, 93/68/EEC



### ORDERING INFORMATION\*

Amps	Wiring	Voltage AC	Connector/ Receptacle	Plug/ Inlet	Plug	Connector	Receptacle	Inlet
16	2p3w	100 - 130			SP316P4	SP316C4	SP316R4	SP316B4
	2p3w	250			SP316P6	SP316C6	SP316R6	SP316B6
	3p4w	380 - 415			SP416P6	SP416C6	SP416R6	SP416B6
	4p5w	200/346 - 240/415			SP516P6	SP516C6	SP516R6	SP516B6
32	2p3w	100 - 130			SP332P4	SP332C4	SP332R4	SP332B4
	2p3w	250			SP332P6	SP332C6	SP332R6	SP332B6
	3p4w	380 - 415			SP432P6	SP432C6	SP432R6	SP432B6
	3p4w	3Ø380 - 3Ø440			432P3WL†	432C3WL†	—	—
	4p5w	200/346 - 240/415			SP532P6	SP532C6	SP532R6	SP532B6
63	2p3w	250			SP363P6	SP363C6	SP363R6	SP363B6
	3p4w	380 - 415			SP463P6	SP463C6	SP463R6	SP463B6
	4p5w	200/346 - 240/415			SP563P6	SP563C6	SP563R6	SP563B6
125	2p3w	250			3125P6W	3125C6W	3125R6W	3125B6W
	3p4w	380 - 415			4125P6W	4125C6W	4125R6W	4125B6W
	4p5w	200/346 - 240/415			5125P6W	5125C6W	5125R6W	5125B6W

\*Consult the factory for availability before placing your order. These are specialty order items and are not regularly stocked.

†This device has North American 30 Amp construction and is used in refrigerated container applications.

## Industrial Grade - International Rated

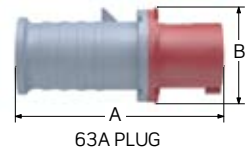
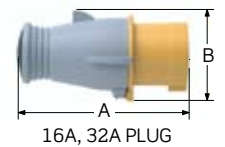
### MATERIAL SPECIFICATIONS

Description	Part	Material For 16A, 32A	Material For 63A, 125A
Inlets	Housing	Nylon	Valox® 357
	Mounting Flange	Nylon	—
	Locking Ring (125A)	—	Valox 357
	Contact Carrier	Nylon	Reinforced Nylon
	Terminal Screws	Brass	Stainless Steel (125A)
	Phase, Ground Pins	Brass	Brass (63A), Stainless Steel (125A)
Connectors	Housing	Nylon	Valox 357
	Cover	Nylon	Valox 357
	Arm Spring	Stainless Steel	Stainless Steel
	Contact Carrier	Nylon	Reinforced Nylon
	Internal Cord Clamp	Nylon	Nylon
	External Cord Clamp	—	Valox 357
	Grommet	EPDM Rubber	EPDM Rubber (63A), Chloroprene Onion Skin (125A)
	Sealing Gasket (125A)	—	Solid Chloroprene
	Cover Eyelet	Nickel Plated Brass	Nickel Plated Brass
	External Screws	—	Acid-Proof Stainless Steel
	Terminal Screws	Brass	Brass (63A), Stainless Steel (125A)
	Phase, Ground Sleeve	Brass	Brass
	Sleeve Spring	Stainless Steel	Stainless Steel
	Internal Screws	Zinc-Plated Steel	Zinc-Plated Steel
Plugs	Housing	Nylon	Valox 357
	Contact Carrier	Nylon	Reinforced Nylon
	Internal Cord Clamp	Nylon	Nylon
	External Cord Clamp	—	Valox 357
	Grommet	EPDM Rubber	EPDM Rubber (63A), Chloroprene Rubber (125A)
	Sealing Gasket (125A)	—	Solid Chloroprene
	External Screws	—	Acid-Proof Stainless Steel
	Terminal Screws	Brass	Brass (63A), Stainless Steel (125A)
	Phase, Ground Pins	Brass	Brass
	Sleeve Spring	Stainless Steel	Stainless Steel
	Internal Screws	Zinc-Plated Steel	Zinc-Plated Steel
Receptacles	Housing	Nylon	Valox 357
	Cover	Nylon	Valox 357
	Mounting Flange	Nylon	—
	Arm Spring	—	Stainless Steel
	Contact Carrier	Nylon	Reinforced Nylon
	Sealing Gasket (125A)	—	Solid Chloroprene
	Cover Eyelet	Nickel Plated Brass	Nickel Plated Brass
	Terminal Screws	Brass	Brass (63A), Stainless Steel (125A)
	Phase, Ground Sleeve	Brass	Brass
	Sleeve Spring	Stainless Steel	Stainless Steel

Valox® is a registered trademark of GE.

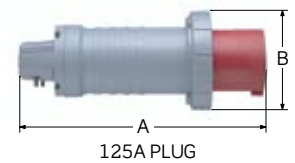
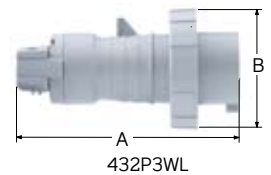
### PLUG DIMENSIONS

Cat. No.	Amps	Unit (inches)		Unit (mm)		Cord Grip Range Dia. (Inches)	Cord Grip Range Dia. (mm)
		A	B	A	B		
SP316P	16	4.53	2.48	115	63	.350-.860	9-22
SP416P	16	5.51	2.83	140	72	.350-.860	9-22
SP516P	16	5.51	2.99	140	76	.437-1.187	11-30
SP332P	32	6.14	3.27	156	83	.437-1.187	11-30
SP432P	32	6.14	3.27	156	83	.437-1.187	11-30
SP532P	32	6.14	3.46	156	88	.437-1.450	11-37
SP363P	63	8.46	4.06	215	103	.670-1.625	17-41
SP463P	63	8.46	4.06	215	103	.670-1.625	17-41
SP563P	63	8.46	4.06	215	103	.670-1.625	17-41



### PLUG DIMENSIONS

Cat. No.	Amps	Unit (inches)		Unit (mm)		Cord Grip Range Dia. (Inches)	Cord Grip Range Dia. (mm)
		A	B	A	B		
432P3WL	32	5.79	3.70	147	94	.437-1.450	11-37
3125P	125	12.32	5.12	313	130	.950-1.875	24-48
4125P	125	12.32	5.12	313	130	.950-1.875	24-48
5125P	125	12.32	5.12	313	130	.950-1.875	24-48



### CONNECTOR DIMENSIONS

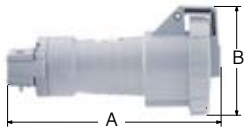
Cat. No.	Amps	Unit (inches)		Unit (mm)		Cord Grip Range Dia. (Inches)	Cord Grip Range Dia. (mm)
		A	B	A	B		
SP316C	16	4.88	2.95	124	75	.350-.860	9-22
SP416C	16	5.91	3.45	150	85	.350-.860	9-22
SP516C	16	5.98	3.50	152	89	.437-1.187	11-30
SP332C	32	6.73	3.66	171	93	.437-1.187	11-30
SP432C	32	6.73	3.66	171	93	.437-1.187	11-30
SP532C	32	6.73	3.89	171	99	.437-1.450	11-37
SP363C	63	8.82	4.41	224	112	.670-1.625	17-41
SP463C	63	8.82	4.41	224	112	.670-1.625	17-41
SP563C	63	8.82	4.41	224	112	.670-1.625	17-41





## Industrial Grade - International Rated

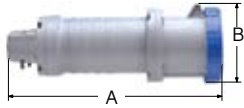
### CONNECTOR DIMENSIONS



432C3WL

Cat. No.	Amps	Unit (inches)		Unit (mm)		Cord Grip Range Dia. (Inches)	Cord Grip Range Dia. (mm)
		A	B	A	B		
432C3WL	32	6.97	4.02	177	102	.437 - 1.187	11 - 30
3125CW	125	12.80	4.80	325	122	.950 - 1.875	28 - 48
4125CW	125	12.80	4.80	325	122	.950 - 1.875	28 - 48
5125CW	125	12.80	4.80	325	122	.950 - 1.875	28 - 48

### RECEPTACLE DIMENSIONS



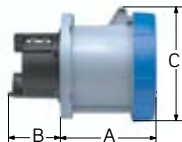
125A CONNECTOR

Cat. No.	Amps	Unit (inches)			Unit (mm)		
		A	B	C	A	B	C
SP316R	16	2.20	1.14	2.87	56	29	73
SP416R	16	2.28	1.18	3.43	58	30	87
SP516R	16	2.36	1.22	3.50	60	31	89
SP332R	32	2.76	1.34	3.66	70	34	93
SP432R	32	2.76	1.34	3.66	70	34	93
SP532R	32	2.76	1.34	3.90	71	34	99
SP363R	63	3.43	1.89	4.41	87	48	112
SP463R	63	3.43	1.89	4.41	87	48	112
SP563R	63	3.43	1.89	4.41	87	48	112



63A RECEPTACLE

### RECEPTACLE DIMENSIONS



125A RECEPTACLE

Cat. No.	Amps	Unit (inches)			Unit (mm)		
		A	B	C	A	B	C
3125R	125	3.94	2.28	4.80	100	58	122
4125R	125	3.94	2.28	4.80	100	58	122
5125R	125	3.94	2.28	4.80	100	58	122

### INLET DIMENSIONS



16A, 32A INLET

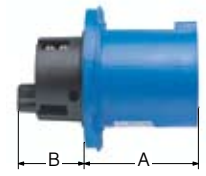
Cat. No.	Amps	Unit (inches)		Unit (mm)	
		A	B	A	B
SP316B	16	.85	1.83	21.5	46.5
SP416B	16	.83	1.85	21	47
SP516B	16	.83	1.83	21	46.5
SP332B	32	.95	2.19	24.5	55.5
SP432B	32	.95	2.19	24.5	55.5
SP532B	32	.98	2.19	25	55.5
SP363B	63	1.97	3.0	50	78
SP463B	63	1.97	3.0	50	78
SP563B	63	1.97	3.0	50	78



63A INLET

### INLET DIMENSIONS

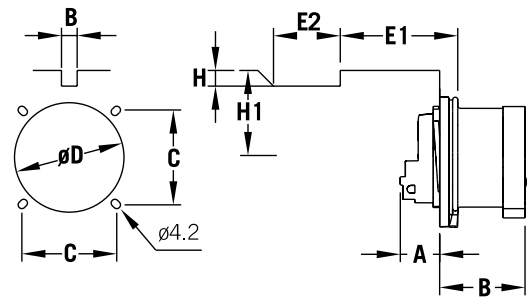
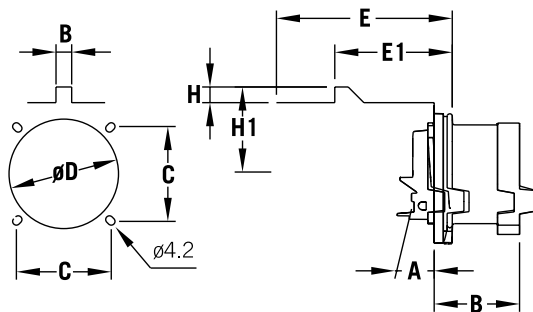
Cat. No.	Amps	Unit (inches)		Unit (mm)	
		A	B	A	B
3125B6W	125	3.50	2.21	89	56
4125B6W	125	3.50	2.21	89	56
5125B6W	125	3.50	2.21	89	56



125A INLET

### INLET PANEL MOUNTING DIMENSIONS

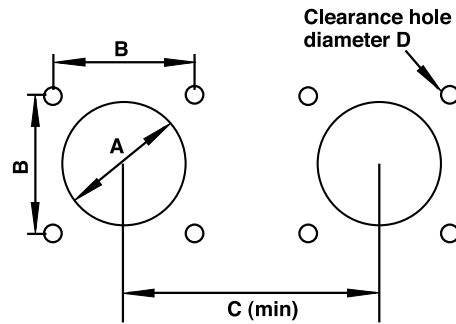
Device Size	Unit	C	D	E	E1	E2	G	H	H1
SP316B	inches	1.73-1.85	1.93	2.95	1.59	0.31	0.35	0.16	1.18
	mm	44-47	49	75	40.5	8	9	4	30
SP416B	inches	1.97-2.05	2.32	3.15	1.83	0.31	0.35	0.2	1.34
	mm	50-52	59	80	46.5	8	9	5	34
SP516B	inches	1.97-2.05	2.32	3.54	2.07	0.31	0.35	0.27	1.5
	mm	50-52	59	90	52.5	8	9	7	38
SP332B	inches	2.36-2.40	2.6	3.54	2.11	0.31	0.35	0.27	1.57
	mm	60-61	66	90	53.5	8	9	7	40
SP432B	inches	2.36-2.40	2.6	3.54	2.11	0.31	0.35	0.27	1.57
	mm	60-61	66	90	53.5	8	9	7	40
SP532B	inches	2.36-2.40	2.6	4.13	2.34	0.35	0.35	0.31	1.77
	mm	60-61	66	105	59.5	9	9	8	45
SP363B	inches	2.40	2.76	4.13	2.32	0.39	0.43	0.35	1.95
	mm	61	70	105	59	10	11	9	49.5
SP463B	inches	2.40	2.76	4.13	2.32	0.39	0.43	0.35	1.95
	mm	61	70	105	59	10	11	9	49.5
SP563B	inches	2.40	2.76	4.13	2.32	0.39	0.43	0.35	1.95
	mm	61	70	105	59	10	11	9	49.5



## Industrial Grade - International Rated

### DRILLING PLAN (INLETS & RECEPTACLES)

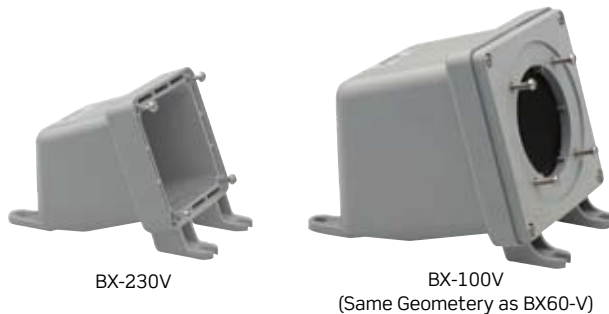
Device Size		A		B		C (min)		D	
		inches	mm	inches	mm	inches	mm	inches	mm
16A; 3-wire:	Receptacle	1.93	49	1.73	44	3.35	85	.185	4.7
	Inlet	1.93	49	1.73	44	3.35	85	.185	4.7
16A; 4-wire:	Receptacle	2.32	59	2.05	52	3.94	100	.185	4.7
	Inlet	2.32	59	2.05	52	3.94	100	.185	4.7
16A; 5-wire:	Receptacle	2.32	59	2.05	52	3.94	100	.185	4.7
	Inlet	2.32	59	2.05	52	3.94	100	.185	4.7
32A; 3-wire:	Receptacle	2.60	66	2.40	61	4.53	115	.185	4.7
	Inlet	2.60	66	2.40	61	4.53	115	.185	4.7
32A; 4-wire:	Receptacle	2.60	66	2.40	61	4.53	115	.185	4.7
	Inlet	2.60	66	2.40	61	4.53	115	.185	4.7
32A; 5-wire:	Receptacle	2.60	66	2.40	61	4.53	115	.185	4.7
	Inlet	2.60	66	2.40	61	4.53	115	.185	4.7
63A	All	2.76	70	2.40	61	6.69	170	.185	4.7
125A	All	3.47	88	2.80	71	7.87	200	.280	7.1



### VALOX® BACK BOXES FOR WATERTIGHT INLETS & RECEPTACLES

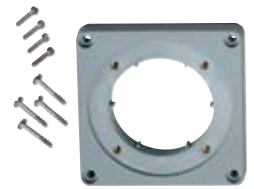
Application	Hub Size Used	Cat. No.
20 & 30 Amp No Adapter Plate Required	1 inch	BX230-V
60 Amp Adapter Plate Included	1½"	BX60-V
100 Amp Adapter Plate Included	2"	BX100-V

\* Hub not included.



### REPLACEMENT VALOX® ADAPTER PLATES FOR LEVITON & HUBBELL BACK BOXES

Application	Cat. No.
60 Amp Watertight Inlets & Receptacles	AP60
100 Amp Watertight Inlets & Receptacles	AP100



AP60



AP100

### DIMENSIONS FOR VALOX ADAPTER PLATES

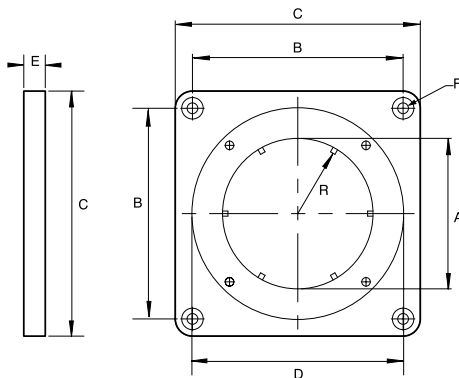
Description	Unit	A	B	C	D	E	F	R
60 Amp	inch	2.78	3.86	4.50	3.88	.40	.20	1.28
	mm	70	98	114	98.5	10	5	32.5
100 Amp	inch	3.23	4.88	5.50	4.60	.40	.22	1.50
	mm	82	124	140	117	10	5.5	38

Valox® is a registered trademark of GE.

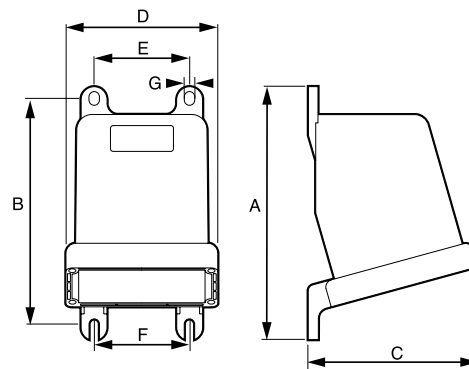
### DIMENSIONS FOR VALOX BACK BOXES

Description	Unit	A	B	C	D	E	F	G
20 Amp & 30 Amp	inch	6.69	5.91	4.53	3.90	2.35	2.35	0.25
	mm	170.0	150.0	115.0	99.0	60.0	60.0	6.5
60 Amp	inch	7.68	6.92	5.20	4.65	2.99	2.99	0.31
	mm	195.0	176.0	132.0	118.0	76.0	76.0	8.0
100 Amp	inch	8.23	7.39	6.30	5.71	3.99	3.33	0.33
	mm	209.0	188.0	160.0	145.0	101.0	84.5	8.5

Valox® is a registered trademark of GE.



ADAPTER PLATES



BACK BOXES

## Industrial Grade - North American Rated

### Watertight Hubs With Insulated Throat

Conduit hubs of die-cast zinc provide a positive ground with insulated throats to prevent wire abrasion. Embedded O-ring ensures a watertight seal



HUB-200 FRONT



HUB-200 BACK

### WATERTIGHT HUBS WITH INSULATED THROAT FOR ALL DISCONNECTS, MECHANICAL INTERLOCKS AND BACK BOXES

Description	Size	Cat. No.
Die-cast zinc conduit hubs w/ insulated throat & embedded O-ring	3/4"	HUB-034
	1"	HUB-100
	1 1/4"	HUB-114
	1 1/2"	HUB-112
	2"	HUB-200

### PROTECTIVE CLOSURE CAPS FOR PLUGS AND INLETS

Application	Application	Cat. No.
North American	International	Watertight
20 Amp, 3-Wire	16 Amp, 3-Wire	PC320
20 Amp, 4-Wire	16 Amp, 4-Wire	PC420
20 Amp, 5-Wire	16 Amp, 5-Wire	PC520
30 Amp, 3-, 4-Wire	32 Amp, 3-, 4-Wire	PC3430
30 Amp, 5-Wire	32 Amp, 5-Wire	PC530
All 60 Amp	All 63 Amp	PC60
All 100 Amp	All 125 Amp	PC100



### LOCKOUT/TAGOUT FOR PIN AND SLEEVE DEVICES

Application	Cat. No.
Can be used for any IEC 60309-1 and 60309-2 pin and sleeve plugs or inlets	PLG1



PLG1



In Use With PLUG



In Use With INLET



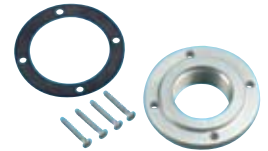
## Industrial Grade

### LIQUID-TIGHT ADAPTERS FOR PLUGS AND CONNECTORS

Application	NPT Size	Cat. No. Adapter	Cat. No. Straight Male Fitting
20 Amp, 3 - 4 Wire	1/2" NPT	SAA12	L7902
20 Amp, 5 Wire	1/2" NPT	SAB12	L7902
30 Amp, 3 - 4 Wire	3/4" NPT	SAB34	L7903
30 Amp, 5 Wire	3/4" NPT	SAC34	L7903
30 Amp, 5 Wire	1" NPT	SAC100	L7904
60 Amp, All	1 1/4" NPT	SAC125	L7905
100 Amp, All	1 1/4" NPT	SAD125	L7905



L7902 STRAIGHT MALE LIQUID-TIGHT GRIP  
For use with flexible metal conduit.



SAD125

### REPLACEMENT WATERTIGHT CLOSURE COVER KIT FOR CONNECTORS AND RECEPTACLES

Application	Cat. No.
20 Amp, 3 Wire	CA320
20 Amp, 4 Wire	CA420
20 Amp, 5 Wire	CA520
30 Amp, 3 - 4 Wire	CA343
30 Amp, 5 Wire	CA530
All 60 Amp	CA060
All 100 Amp	CA100



CA520

CA100

### REPLACEMENT WATERTIGHT LOCKING RING FOR PLUGS AND INLETS

Application	Cat. No.
20 Amp, 3-wire	RA320
20 Amp, 4-wire	RA420
20 Amp, 5-wire	RA520
30 Amp, 3-, 4-wire	RA343
30 Amp, 5-wire	RA530
All 60 Amp	RA060
All 100 Amp	RA100



RA420

RA100

### REPLACEMENT GROMMETS FOR PLUGS AND CONNECTORS

Application	Cat. No.
20A, 3 - 4 Wire	GROMT-020
20A, 5 Wire 30A; 3 - 4 Wire	GROMT-023
30A, 5 Wire	GROMT-030
All 60A	GROMT-060
All 100A	GROMT-100



Mount-KT2

### REPLACEMENT MOUNTING FEET

Application	Cat. No.
For all Disconnects and Mechanical Interlocks. Includes 4 feet and 4 mounting screws	Mount-KT2

## Industrial Grade

### Making the Right Connection is as Easy as Matching Colors and Telling Time!

Leviton's pin and sleeve devices are easy to use. Matching amperage and voltage requirements is literally as easy as matching colors and telling time. The amperage rating is related to the size of the device; devices of the same amperage are the same size. The voltage rating is related to the location of the ground sleeve on the female device and the number of conductors. This location is based on a clock face with the key-way at the 6 o'clock position. The ground sleeve is positioned at a specific hour location, depending on the device's voltage rating.

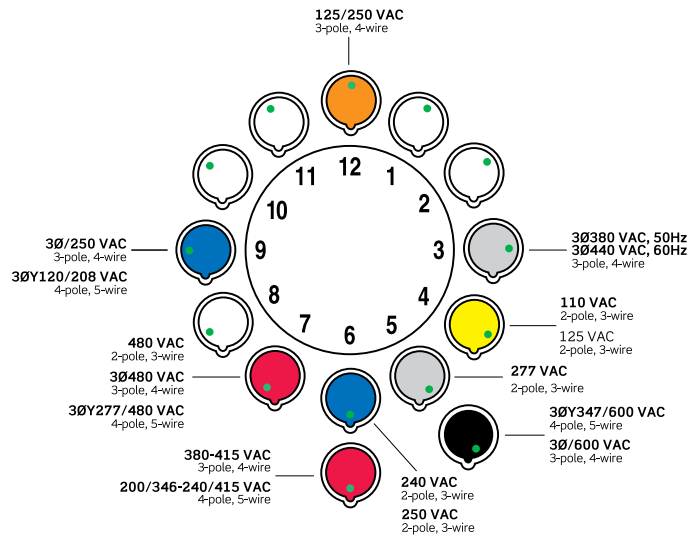
The clock position for plugs and inlets is a mirror image of the position for matching connectors and receptacles. For quick visual identification, voltage ratings are also color-coded and the housings of interconnecting units are always the same color. All 125VAC devices are yellow; 250VAC are blue, etc. Matching up interconnecting devices is as easy as matching colors.

## NORTH AMERICAN

### Green Dot •

Represents the Ground Sleeve of Female Devices (Connectors & Receptacles)

Rated Voltage	Color
110V-130V	
125V-250V	
200V-250V	
277V, 380V, 440V	
346V-480V	
500V and above	



## Catalog Numbering System

Leviton's catalog numbering system is easy to use. Each letter or number provides a description of the product. Simply follow the six-part code below, made up of letters and numbers. Each catalog number contains the number of conductors, amperage rating, device type, clock position of the ground sleeve, and environmental classification. For example, the catalog number below refers to a 3-wire, 20 amp receptacle with a grounding sleeve located at the 6 o'clock position and an environmental classification of watertight.

Prefix	3 1st digit	20 2nd-4th digit	R Letter	6 Grounding	W Suffix
SP SP= Splashproof	3 = 3 wire 4 = 4 wire 5 = 5 wire	16 = 16 Amp 20 = 20 Amp 30 = 30 Amp 32 = 32 Amp 60 = 60 Amp 63 = 63 Amp 100 = 100 Amp 125 = 125 Amp	P = Plug C = Connector R = Receptacle B = Inlet MI = Mechanical Interlock MF = Mechanical Interlock Fused AX = Disconnect Switch FAX = Disconnect Switch Fused	Clock position of female grounding contact  Not Used for Disconnects	W = Watertight  Not Used for Disconnects
DS DS= Disconnect Switch	Not Used for Disconnects				