

POLARIS™ INSULATED CONNECTORS
Multi-Conductor Connector
Either Side Wire Entry
IPLD SERIES



FEATURES

- Wire entry ports on both sides of the connector allow for access from either side.
- Eliminates the need for cover and taping.
- Insulated with high-dielectric strength plastisol.
- Molded for precise fit and supplied with removable access plugs over the hex screws.
- Supplied with removable plugs to close the entry port not being utilized.
- Abrasion and chemical resistant, UV resistant.
- Will not support combustion.

RATINGS



UL Listed 486B Wire Connector.

TEMPERATURE RATING/VOLTAGE:

AL9CU. Cold temperature rated to -45 °C, rated 600V, 90 °C.

WIRE TYPE:

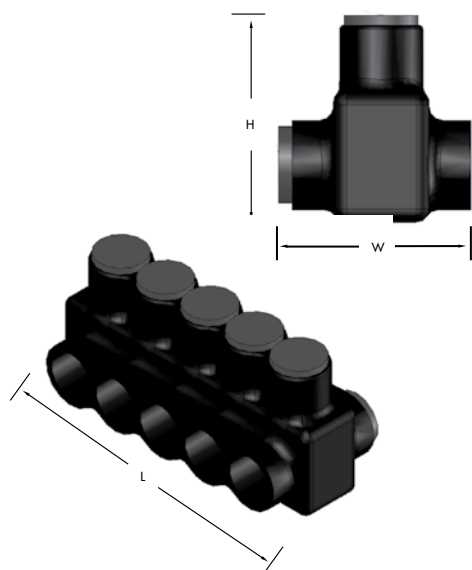
Dual rated for use with copper and/or aluminum cables. Not recommended for fine-stranded, flexible wire.

All dimensional data is listed in inches.

| CAT. NO. | NO. OF PORTS |
|------------|--------------|
| IPLD3/0-3 | 3 |
| IPLD3/0-4 | 4 |
| IPLD3/0-5 | 5 |
| IPLD3/0-6 | 6 |
| IPLD3/0-7 | 7 |
| IPLD3/0-8 | 8 |
| IPLD3/0-10 | 10 |
| IPLD3/0-12 | 12 |
| IPLD250-3 | 3 |
| IPLD250-4 | 4 |
| IPLD250-5 | 5 |
| IPLD250-6 | 6 |
| IPLD250-7 | 7 |
| IPLD250-8 | 8 |
| IPLD250-10 | 10 |
| IPLD250-12 | 12 |
| IPLD350-3 | 3 |
| IPLD350-4 | 4 |
| IPLD350-5 | 5 |
| IPLD350-6 | 6 |
| IPLD350-7 | 7 |
| IPLD350-8 | 8 |
| IPLD350-9 | 9 |
| IPLD350-10 | 10 |
| IPLD350-12 | 12 |



| WIRE RANGE | LENGTH (L) | WIDTH (W) | HEIGHT (H) | TORQUE VALUE (IN./LBS.) | HEX/WRENCH SIZE | STD. CTN. QTY. |
|---------------|------------|-----------|------------|-------------------------|-----------------|----------------|
| 3/0-6 AWG | 2.630 | 1.830 | 1.790 | 250 | 1/4 | 6 |
| 3/0-6 AWG | 3.410 | 1.830 | 1.790 | 250 | 1/4 | 6 |
| 3/0-6 AWG | 4.190 | 1.830 | 1.790 | 250 | 1/4 | 4 |
| 3/0-6 AWG | 4.970 | 1.830 | 1.790 | 250 | 1/4 | 4 |
| 3/0-6 AWG | 5.750 | 1.830 | 1.790 | 250 | 1/4 | 3 |
| 3/0-6 AWG | 6.530 | 1.830 | 1.790 | 250 | 1/4 | 3 |
| 3/0-6 AWG | 8.090 | 1.830 | 1.790 | 250 | 1/4 | 2 |
| 3/0-6 AWG | 11.210 | 1.830 | 1.790 | 250 | 1/4 | 2 |
| 250 MCM-6 AWG | 2.930 | 2.280 | 2.180 | 360 | 5/16 | 6 |
| 250 MCM-6 AWG | 3.800 | 2.280 | 2.180 | 360 | 5/16 | 6 |
| 250 MCM-6 AWG | 4.660 | 2.280 | 2.180 | 360 | 5/16 | 4 |
| 250 MCM-6 AWG | 5.520 | 2.280 | 2.180 | 360 | 5/16 | 4 |
| 250 MCM-6 AWG | 6.380 | 2.280 | 2.180 | 360 | 5/16 | 3 |
| 250 MCM-6 AWG | 7.240 | 2.280 | 2.180 | 360 | 5/16 | 3 |
| 250 MCM-6 AWG | 8.970 | 2.280 | 2.180 | 360 | 5/16 | 2 |
| 250 MCM-6 AWG | 10.740 | 2.280 | 2.180 | 360 | 5/16 | 2 |
| 350 MCM-6 AWG | 3.520 | 2.410 | 2.610 | 400 | 5/16 | 3 |
| 350 MCM-6 AWG | 4.570 | 2.410 | 2.610 | 400 | 5/16 | 3 |
| 350 MCM-6 AWG | 5.620 | 2.410 | 2.610 | 400 | 5/16 | 3 |
| 350 MCM-6 AWG | 6.670 | 2.410 | 2.610 | 400 | 5/16 | 3 |
| 350 MCM-6 AWG | 7.720 | 2.410 | 2.610 | 400 | 5/16 | 2 |
| 350 MCM-6 AWG | 8.770 | 2.410 | 2.610 | 400 | 5/16 | 2 |
| 350 MCM-6 AWG | 9.820 | 2.410 | 2.610 | 400 | 5/16 | 2 |
| 350 MCM-6 AWG | 10.870 | 2.410 | 2.610 | 400 | 5/16 | 2 |
| 350 MCM-6 AWG | 12.970 | 2.410 | 2.610 | 400 | 5/16 | 1 |



POLARIS™ INSULATED CONNECTORS
Multi-Cable Blocks
Either Side Wire Entry
IPLD SERIES



FEATURES

- Wire entry ports on both sides of the connector allow for access from either side.
- Eliminates the need for cover and taping.
- Insulated with high-dielectric strength plastisol.
- Molded for precise fit and supplied with removable access plugs over the hex screws.
- Supplied with removable plugs to close the entry port not being utilized.
- Abrasion and chemical resistant, UV resistant.
- Will not support combustion.

RATINGS



UL Listed 486B Wire Connector.

TEMPERATURE RATING/VOLTAGE:

AL9CU. Cold temperature rated to -45 °C, rated 600V, 90 °C.

WIRE TYPE:

Dual rated for use with copper and/or aluminum cables. Not recommended for fine-stranded, flexible wire.

All dimensional data is listed in inches.

| CAT. NO. | NO. OF PORTS |
|-------------|--------------|
| IPLD500-3 | 3 |
| IPLD500-4 | 4 |
| IPLD500-5 | 5 |
| IPLD500-6 | 6 |
| IPLD500-7 | 7 |
| IPLD500-8 | 8 |
| IPLD500-9 | 9 |
| IPLD500-10 | 10 |
| IPLD500-12 | 12 |
| IPLD600-3 | 3 |
| IPLD600-4 | 4 |
| IPLD600-5 | 5 |
| IPLD600-6 | 6 |
| IPLD600-7 | 7 |
| IPLD600-8 | 8 |
| IPLD600-9 | 9 |
| IPLD600-10 | 10 |
| IPLD600-12 | 12 |
| IPLD750-3* | 3 |
| IPLD750-4* | 4 |
| IPLD750-5* | 5 |
| IPLD750-6* | 6 |
| IPLD750-7* | 7 |
| IPLD750-8* | 8 |
| IPLD750-9* | 9 |
| IPLD750-10* | 10 |
| IPLD750-12* | 12 |

*Not UL listed.



| WIRE RANGE | LENGTH (L) | WIDTH (W) | HEIGHT (H) | TORQUE VALUE (IN./LBS.) | HEX/WRENCH SIZE | STD. CTN. QTY. |
|---------------|------------|-----------|------------|-------------------------|-----------------|----------------|
| 500 MCM-4 AWG | 4.010 | 2.830 | 2.910 | 450 | 5/16 | 3 |
| 500 MCM-4 AWG | 5.240 | 2.830 | 2.910 | 450 | 5/16 | 3 |
| 500 MCM-4 AWG | 6.380 | 2.830 | 2.910 | 450 | 5/16 | 2 |
| 500 MCM-4 AWG | 7.520 | 2.830 | 2.910 | 450 | 5/16 | 2 |
| 500 MCM-4 AWG | 8.670 | 2.830 | 2.910 | 450 | 5/16 | 2 |
| 500 MCM-4 AWG | 9.820 | 2.830 | 2.910 | 450 | 5/16 | 2 |
| 500 MCM-4 AWG | 10.880 | 2.830 | 2.910 | 450 | 5/16 | 2 |
| 500 MCM-4 AWG | 12.110 | 2.960 | 3.030 | 450 | 5/16 | 1 |
| 500 MCM-4 AWG | 14.400 | 2.960 | 3.030 | 450 | 5/16 | 1 |
| 600 MCM-6 AWG | 4.550 | 2.960 | 3.030 | 450 | 5/16 | 3 |
| 600 MCM-6 AWG | 5.850 | 2.960 | 3.030 | 450 | 5/16 | 3 |
| 600 MCM-6 AWG | 7.150 | 2.960 | 3.030 | 450 | 5/16 | 2 |
| 600 MCM-6 AWG | 8.450 | 2.960 | 3.030 | 550 | 5/16 | 2 |
| 600 MCM-6 AWG | 9.750 | 2.960 | 3.030 | 550 | 5/16 | 2 |
| 600 MCM-6 AWG | 11.050 | 2.960 | 3.030 | 550 | 5/16 | 2 |
| 600 MCM-6 AWG | 12.390 | 2.960 | 3.030 | 550 | 5/16 | 1 |
| 600 MCM-6 AWG | 13.650 | 3.410 | 3.420 | 550 | 5/16 | 1 |
| 600 MCM-6 AWG | 16.250 | 3.410 | 3.420 | 550 | 5/16 | 1 |
| 750-250 MCM | 4.950 | 3.410 | 3.420 | 550 | 3/8 | 3 |
| 750-250 MCM | 6.380 | 3.410 | 3.420 | 550 | 3/8 | 2 |
| 750-250 MCM | 7.800 | 3.410 | 3.420 | 550 | 3/8 | 1 |
| 750-250 MCM | 9.230 | 3.410 | 3.420 | 550 | 3/8 | 1 |
| 750-250 MCM | 10.650 | 3.410 | 3.420 | 550 | 3/8 | 1 |
| 750-250 MCM | 12.080 | 3.410 | 3.420 | 550 | 3/8 | 1 |
| 750-250 MCM | 13.690 | 3.410 | 3.420 | 550 | 3/8 | 1 |
| 750-250 MCM | 14.930 | 3.410 | 3.420 | 550 | 3/8 | 1 |
| 750-250 MCM | 17.780 | 3.410 | 3.420 | 550 | 3/8 | 1 |

