



Heavy-duty, weatherproof while-in-use covers for demanding applications

Code Keeper® Universal
metallic covers meet
CEC requirements for
outdoor receptacle protection

In-use weatherproof covers are now required to protect outdoor receptacles from wet weather, even when electrical devices are plugged in. Red-Dot® Code Keeper® metallic covers are ideally suited for demanding, high-traffic applications.

- Die-cast aluminum with durable powder-coated finish
- NEMA 3R-rated when used with appropriate device boxes
- One cover handles GFCI, single, duplex and switch configurations – each cover supplied with adapter plates (covers supplied preconfigured for GFCI)
- Wide range of cover depths and receptacle configurations
- Durable latching cover meets lockout/tagout requirements, prevents accidental equipment disconnection and vandalism

Heavy-duty metal construction

Superior weather and liquid
ingress protection

One cover for GFCI, single and
duplex receptacles, switches



Thomas & Betts. Your best connection for innovative solutions.

Accommodates Multiple Device Configurations (device not included)



GFCI



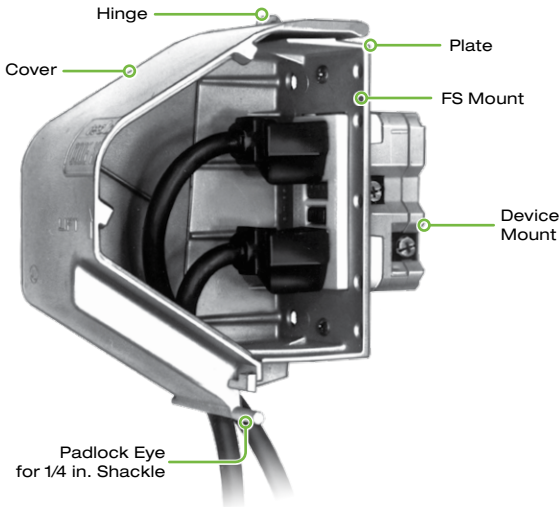
DUPLEX



SINGLE



SWITCH



CKSUV
Vertical cover, 2-1/4 in. internal depth



CKMUV
Vertical cover, 3-1/4 in. internal depth



CKLSVU*
Vertical cover, 4-3/4 in. internal depth



CKMU
Horizontal cover, 3-1/4 in. internal depth

* For 1.594 to 2.125 in. round receptacles only



2CKU
Two-gang vertical cover, 4-1/4 in. internal depth

Red Dot® Code Keeper® Universal While-In-Use Covers



CAT. NO.	DESCRIPTION	STD. PKG. QTY.	UPC NUMBER
SINGLE-GANG			
CKSUV	Vertical Cover, 2-1/4 in. Internal Depth	8	04226900510
CKMUV	Vertical Cover, 3-1/4 in. Internal Depth	6	04226900466
CKLSVU	Vertical Cover, 4-3/4 in. Internal Depth	2	04226900468
CKMU	Horizontal Cover, 3-1/4 in. Internal Depth	3	04226900465
TWO-GANG			
2CKU	Vertical Cover, 4-1/4 in. Internal Depth	2	04226900467

Atlantic Provinces
Thomas & Betts Limited
Tel.: (902) 450-1307
Toll Free: 1-877-862-4357
Fax: (902) 450-1309

Quebec
Thomas & Betts Limited
Tel.: (450) 466-1102
Toll Free: 1-800-465-1399
Fax: (450) 466-1163

Ontario
Thomas & Betts Limited
Tel.: (905) 858-1010
Toll Free: 1-877-291-7771
Fax: (905) 858-1080

Manitoba/Saskatchewan
Thomas & Betts Limited
Tel.: (604) 598-9811
Toll Free: 1-866-540-8220
Fax: (604) 598-9840

Alberta
Thomas & Betts Limited
Tel.: (780) 424-7092
Toll Free: 1-888-664-5666
Fax: (780) 424-7093
Toll Free: 1-866-424-4082

British Columbia
Thomas & Betts Limited
Tel.: (604) 598-9811
Toll Free: 1-866-540-8220
Fax: (604) 598-9840