

Section J Index

P, PG, PSS, PAL Series

Panels for JIC Enclosures J2

N1P, N1PPP Series

Panels (Solid & Perforated) for Small NIC & RHC Enclosures J3

NP, NPG, NPSS, ALNP, NPPP Series

Panels (Solid & Perforated) for NEMA 1, 3R, 12, 4 & 4X Wall-Mounts J4

NPC, NPCG, NPSSC Series

Panels for ULTIMATE Enclosures J5

N1P, N1PPP Series

Panels for NIC & RHC Enclosures J6

NPDD, NPDDG Series

Panels (Solid & Perforated) for Double Door Floor-Mount Enclosures J7

WA-F1/F2 Series

Panels for Single Door Freestanding Enclosures J8

WA-F1/F2 Series

Panels for Two Door Freestanding Enclosures J9

WASP-F3/F4 Series

Swing-Out Panels for Freestanding Enclosures J10

WA-SMP Series

Side-Mount Panels for Freestanding Enclosures J11

WA-SOF Series

Swing-Out Racks for Freestanding Enclosures J12

WA-SOF Series Rack Angles

Accessory Rack Components for Freestanding Enclosures J13

BACK PANELS



**P SERIES BACK PANELS
ACCESSORY PANELS FOR JIC ENCLOSURES**



P0606PP



P0808

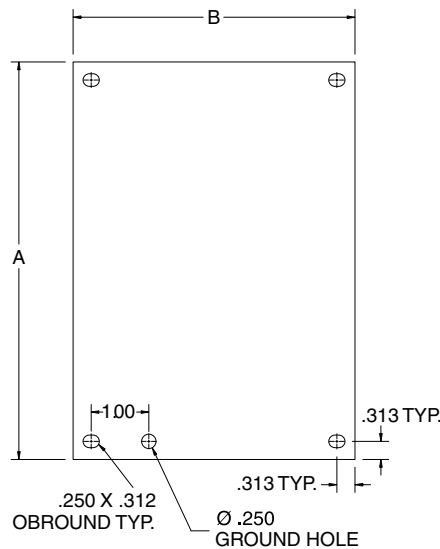
FEATURES-SPECIFICATIONS

Description

- White polyester powder finish on steel and perforated panels
- “G” panels are pre-galvanized steel
- 304SS panels are made of 304 stainless steel
- Panels fit the following enclosures:
 - B
 - BCH
 - BN4
 - BN4CH
 - BN4SS
 - BN4CHSS
 - BN4AL
 - BN4CHAL
 - BN4CHQT
 - BN4CHQTSS
 - BCHFTC
 - BCHQR
 - BSC
 - LOH

BACK PANELS FOR JIC ENCLOSURES

Painted Steel (White)	Catalog Number				Panel Size AxB
	“G”	Perforated	304 Stainless Steel	Aluminum	
P0604	P0604G	P0604PP	P0604SS	P0604AL	4.88x2.88 (124x73)
P0606	P0606G	P0606PP	P0606SS	P0606AL	4.88x4.88 (124x124)
P0806	P0806G	P0806PP	P0806SS	P0806AL	6.88x4.88 (175x124)
P0808	P0808G	P0808PP	—	—	6.88x6.88 (175x175)
P1008	P1008G	P1008PP	P1008SS	P1008AL	8.88x6.88 (226x175)
P1010	P1010G	P1010PP	—	—	8.88x8.88 (226x226)
P1206	P1206G	P1206PP	—	—	10.88x4.88 (276x124)
P1210	P1210G	P1210PP	P1210SS	P1210AL	10.88x8.88 (276x226)
P1212	P1212G	P1212PP	P1212SS	—	10.88x10.88 (276x276)
P1408	P1408G	P1408PP	—	—	12.88x6.88 (327x175)
P1412	P1412G	P1412PP	P1412SS	P1412AL	12.88x10.88 (327x276)
P1610	P1610G	P1610PP	—	—	14.88x8.88 (378x226)
P1614	P1614G	P1614PP	P1614SS	P1614AL	14.88x12.88 (378x327)



**N1P SERIES BACK PANELS
ACCESSORY PANELS FOR SMALL NIC & RHC ENCLOSURES**



N1P0606PP



N1P0606

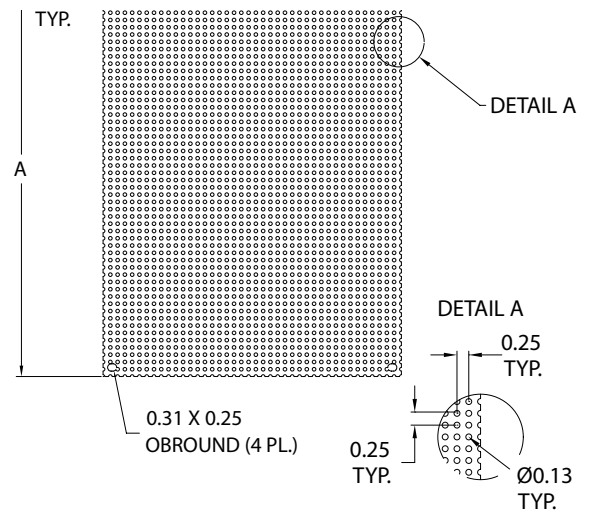
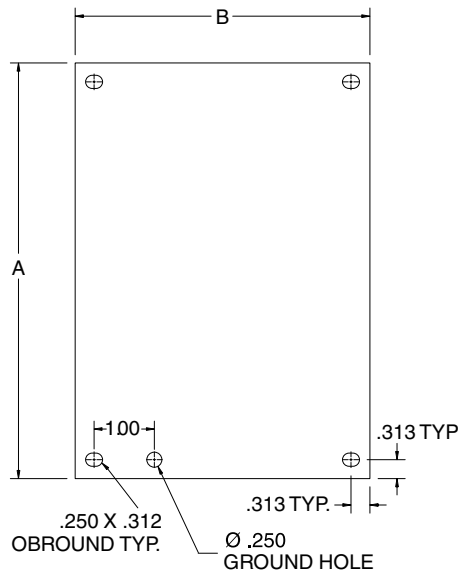
FEATURES-SPECIFICATIONS

Description

- Carbon steel panels are painted with a white polyester powder
- “G” panels are pre-galvanized steel
- Panels fit the following enclosures:
 - NEMA 1 Small (NIC)
 - NEMA 3R Small (RHC)
 - NEMA 12 WAGIE
- Perforated panels accept self-tapping screws which eliminates the need to measure, mark and drill when mounting components
- Panels are used for mounting light-weight control components

BACK PANELS FOR SMALL NIC & RHC ENCLOSURES

Catalog Number		Panel Size AxB	
Painted Steel (White)	Perforated	“G”	
N1P0606	N1P0606PP	N1P0606G	4.25x4.25 (108x108)
N1P0608	N1P0608PP	N1P0608G	6.25x4.25 (159x108)
N1P0808	N1P0808PP	N1P0808G	6.25x6.25 (159x159)
N1P0810	N1P0810PP	N1P0810G	8.25x6.25 (210x159)
N1P1010	N1P1010PP	N1P1010G	8.25x8.25 (210x210)
N1P1012	N1P1012PP	N1P1012G	10.25x8.25 (260x210)
N1P1212	N1P1212PP	N1P1212G	10.25x10.25 (260x260)
N1P1214	N1P1214PP	N1P1214G	12.25x10.25 (311x260)
N1P1216	N1P1216PP	N1P1216G	14.25x10.25 (362x260)
N1P1220	N1P1220PP	N1P1220G	18.25x10.25 (464x260)



**NP SERIES BACK PANELS
ACCESSORY PANELS FOR NEMA 1, 3R, 4, 4X & 12, WALL-MOUNTS**

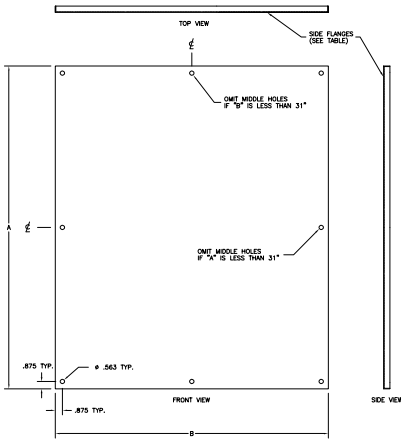


NP1212

FEATURES-SPECIFICATIONS

Description

- Panels with any side over 17.00" has a flange on all sides
- Carbon steel panels are painted white polyester powder
- "G" panels are pre-galvanized steel
- Panels fit the following enclosures:
 - NEMA 1, Large (NIC)
 - NEMA 3R, Hinge Cover (RHC, Large)
 - NEMA 4 & 4X Single Door (N12, N4, SSN4, SSN43PT, SSN43PTW)
 - NEMA 12, 2-Door Wall-Mount, (WAWF), Single Door
 - Right Flange Disconnect (SDN12, ABN12)
 - Large JIC (B-CH, Large) Single Door N12



BACK PANELS FOR NEMA 1, 3R, 4, 4X & 12 WALL-MOUNT ENCLOSURES

Painted Steel (White)	Catalog Number				Panel Size AxB
	Perforated	"G"	304 Stainless Steel	Aluminum	
NP1212	—	NP1212G	—	—	9.00X9.00 (229X229)
NP1224	—	NP1224G	—	—	9.00X21.00 (229X533)
NP1612	NP1612PP	NP1612G	NP1612SS	ALNP1612	13.00X9.00 (330X229)
NP1616	NP1616PP	NP1616G	NP1616SS	ALNP1616	13.00X13.00 (330X330)
NP1620	—	NP1620G	—	—	13.00X17.00 (330X432)
NP1818	—	—	—	—	15.00X15.00 (381X381)
NP2012	—	NP2012G	—	—	17.00X9.00 (432X229)
NP2016	NP2016PP	NP2016G	NP2016SS	ALNP2016	17.00X13.00 (432X330)
NP2024	—	NP2024G	—	—	17.00X21.00 (432X533)
NP2020	NP2020PP	NP2020G	NP2020SS	ALNP2020	17.00X17.00 (432X432)
NP2412	—	NP2412G	—	—	21.00X9.00 (533X229)
NP2416	—	NP2416G	NP2416SS	—	21.00X13.00 (533X330)
NP2420	NP2420PP	NP2420G	NP2420SS	ALNP2420	21.00X17.00 (533X432)
NP2424	NP2424PP	NP2424G	NP2424SS	ALNP2424	21.00X21.00 (533X533)
NP2430	—	NP2430G	—	—	21.00X27.00 (686X533)
NP3016	—	NP3016G	—	—	27.00X13.00 (686X330)
NP3020	—	NP3020G	NP3020SS	—	27.00X17.00 (686X432)
NP3024	NP3024PP	NP3024G	NP3024SS	ALNP3024	27.00X21.00 (686X533)
NP3030	NP3030PP	NP3030G	NP3030SS	—	27.00X27.00 (686X686)
NP3036	—	NP3036G	—	—	27.00X33.00 (686X838)
NP3042	—	NP3042G	—	—	27.00X39.00 (886X991)
NP3624	NP3624PP	NP3624G	NP3624SS	ALNP3624	33.00X21.00 (838X533)
NP3630	NP3630PP	NP3630G	NP3630SS	ALNP3630	33.00X27.00 (838X686)
NP3636	NP3636PP	NP3636G	NP3636SS	—	33.00X33.00 (838X838)
NP3642	—	NP3642G	—	—	33.00X39.00 (838X991)
NP4024	—	NP4024G	—	—	37.00X21.00 (940X533)
NP4224	—	NP4224G	—	—	39.00X21.00 (991X533)
NP4230	NP4230PP	NP4230G	NP4230SS	—	39.00X27.00 (991X686)
NP4236	NP4236PP	NP4236G	NP4236SS	—	39.00X33.00 (991X838)
NP4824	—	NP4824G	—	—	45.00X21.00 (1143X533)
NP4830	—	NP4830G	—	—	45.00X27.00 (1143X686)
NP4836	NP4836PP	NP4836G	NP4836SS	ALNP4836	45.00X33.00 (1143X838)
NP6030	—	NP6030G	—	—	57.00X27.00 (1448X686)
NP6036	NP6036PP	NP6036G	NP6036SS	ALNP6036	57.00X33.00 (1448X838)
NP7230	—	NP7230G	—	—	69.00X27.00 (1753X686)
NP7236	—	NP7236G	—	—	69.00X33.00 (1753X838)

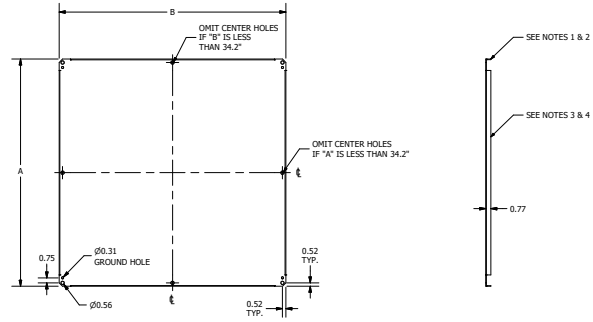


NP1212C

FEATURES-SPECIFICATIONS

Description

- Carbon steel panels are painted with a white polyester powder
- “G” panels are pre-galvanized steel
- All Ultimate Series Enclosures



NOTES:
 1. OMIT TOP & BOTTOM FLANGES IF "B" IS LESS THAN 22.2"
 2. OMIT TOP & BOTTOM FLANGES IF "B" IS LESS THAN 28.2" AND "A" IS GREATER THAN OR EQUAL TO "B"
 3. OMIT SIDE FLANGES IF "A" IS LESS THAN 22.2"
 4. OMIT SIDE FLANGES IF "A" IS LESS THAN 28.2" AND "B" IS GREATER THAN "A"

NP-C SERIES BACK PANELS FOR ULTIMATE N412C ENCLOSURES

		Catalog Number			Panel Size
Painted Steel	"G"	304 Stainless Steel	316 Stainless Steel	Perforated	AxB
NP1212C	NP1212CG	NP1212SSC	—	—	10.2X10.2 (259X259)
NP1414C	NP1414CG	NP1414SSC	—	—	12.2X12.2 (309X309)
NP1612C	NP1612CG	NP1612SSC	NP1612SSAC	NP1612CPP	14.2X10.2 (361X259)
NP1616C	NP1616CG	NP1616SSC	—	NP1616CPP	14.2X14.2 (361X361)
NP2016C	NP2016CG	NP2016SSC	—	NP2016CPP	18.2X14.2 (462X361)
NP2416C	NP2416CG	NP2416SSC	NP2416SSAC	NP2416CPP	22.2X14.2 (564X361)
NP2020C	NP2020CG	NP2020SSC	NP2020SSAC	NP2020CPP	18.2X18.2 (462X462)
NP2420C	NP2420CG	NP2420SSC	—	NP2420CPP	22.2X18.2 (564X462)
NP3020C	NP3020CG	—	—	NP3020CPP	28.2X18.2 (716X462)
NP2424C	NP2424CG	NP2424SSC	NP2424SSAC	NP2424CPP	22.2X22.2 (564X564)
NP3024C	NP3024CG	NP3024SSC	NP3024SSAC	NP3024CPP	28.2X22.2 (716X564)
NP3624C	NP3624CG	NP3624SSC	—	NP3624CPP	34.2X22.2 (869X564)
NP4024C	NP4024CG	—	—	NP4024CPP	38.2X22.2 (970X564)
NP4824C	NP4824CG	—	—	NP4824CPP	46.2X22.2 (1173X564)
NP2430C	NP2430CG	—	—	—	22.2X28.2 (564X716)
NP3030C	NP3030CG	NP3030SSC	—	NP3030CPP	28.2X28.2 (716X716)
NP3630C	NP3630CG	NP3630SSC	—	NP3630CPP	34.2X28.2 (869X716)
-	NP4230CG	—	—	—	40.2X28.2 (1021X716)
NP3636C	NP3636CG	NP3636SSC	NP3636SSAC	NP3636CPP	34.2X34.2 (869X869)
NP4236C	NP4236CG	NP4236SSC	NP4236SSAC	NP4236CPP	40.2X34.2 (1021X869)
NP4836C	NP4836CG	NP4836SSC	NP4836SSAC	NP4836CPP	46.2X34.2 (1173X869)
—	NP5236CG	—	—	—	50.2X34.2 (1278X869)
NP6036C	NP6036CG	NP6036SSC	NP6036SSAC	NP6036CPP	58.2X34.2 (1478X869)

**N1P SERIES BACK PANELS
ACCESSORY PANELS FOR N1C & RHC ENCLOSURES**



N1P1616PP



N1P1216L

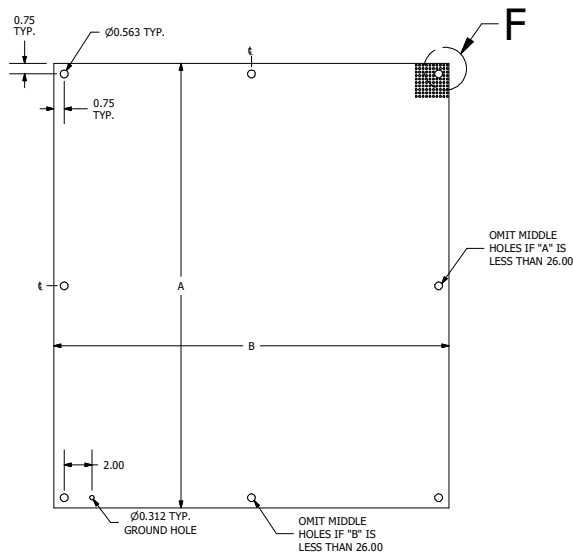
FEATURES-SPECIFICATIONS

Description

- Carbon steel panels are painted with a white polyester powder
- Panels fit the following enclosures:
 - N1C (small & medium)
 - RHC (small)
- Perforated panels accept self tapping screws which eliminates the need to measure, mark and drill when mounting components
- Panels are used for mounting light-weight control components

BACK PANELS FOR N1C & RHC ENCLOSURES

Catalog Number		Panel Size AxB
Painted Steel	Perforated	
N1P1216L	N1P1216LPP	13.00x10.50 (330x267)
N1P1616	N1P1616PP	13.00x14.50 (330x368)
N1P1620	N1P1620PP	17.00x14.50 (432x368)
N1P2016	N1P2016PP	13.00x18.50 (330x470)
N1P2020	N1P2020PP	17.00x18.50 (432x470)
N1P1624	N1P1624PP	21.00x14.50 (533x368)
N1P2024	N1P2024PP	21.00x18.50 (533x470)
N1P2424	N1P2424PP	21.00x22.50 (533x572)
N1P2030	N1P2030PP	26.00x18.50 (660x470)
N1P2436	N1P2436PP	32.00x22.50 (813x572)
N1P2420	N1P2420PP	17.00x22.50 (432x572)
N1P2430	N1P2430PP	26.00x22.50 (660x572)
N1P3030	N1P3030PP	26.00x28.50 (660x724)
N1P3036	N1P3036PP	32.00x28.50 (813x724)



**NPDD SERIES BACK PANELS
ACCESSORY PANELS FOR DOUBLE DOOR FLOOR-MOUNT ENCLOSURES**



NPDD4242

FEATURES-SPECIFICATIONS

Description

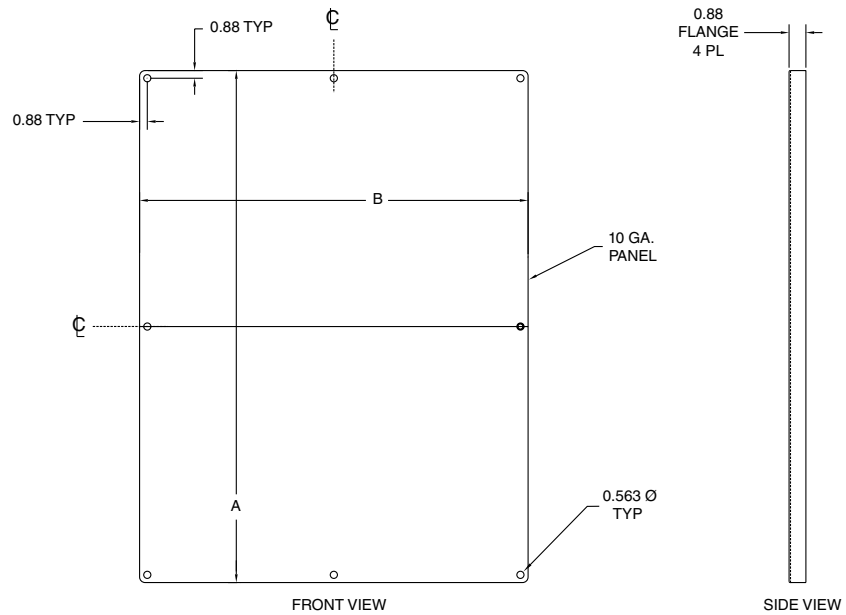
- Carbon steel panels are painted with a white polyester powder
- Panels are used in NEMA 12 double door floor-mount enclosures and some two-door wall-mount enclosures
- "G" panels are pre-galvanized steel

Fits:

SSN4D3PT, SSN4D3PTA
N12 Floor-Mount
WAX
WACPX
WAXSSN4
WACPXSSN4
WAWF
SSN4WF3PT

BACK PANELS FOR DOUBLE DOOR FLOOR-MOUNT ENCLOSURES

Catalog Number		Panel Size AxB
Painted Steel (White)	"G"	
NPDD4242	NPDD4242G	39.00x39.00 (991x991)
NPDD4260	NPDD4260G	38.00x56.00 (965x1422)
NPDD4842	NPDD4842G	45.00x39.00 (1143x991)
NPDD4848	NPDD4848G	44.00x44.00 (1118x1118)
NPDD5442	NPDD5442G	50.00x38.00 (1270x965)
NPDD6048	NPDD6048G	56.00x44.00 (1422x1118)
NPDD6060	NPDD6060G	56.00x56.00 (1422x1422)
NPDD7260	NPDD7260G	68.00x56.00 (1727x1422)
NPDD7272	—	68.00x68.00 (1727x1727)



FEATURES-SPECIFICATIONS

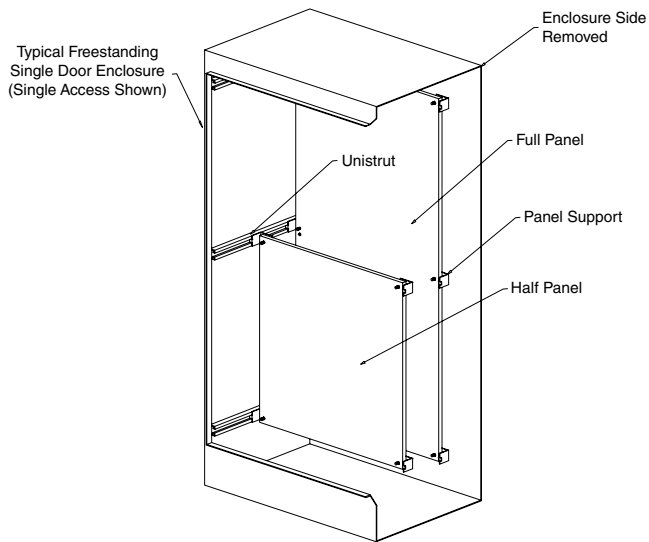
Description

Panels for single door single-access and single door dual-access freestanding NEMA 12, freestanding NEMA 4 and freestanding stainless steel enclosures.

- Panels can be positioned anywhere along horizontal depth-wise mounting channels
- Half-length panels can be installed in the upper or lower portion of the enclosure
- Mounting hardware is furnished with each panel
- Panels are painted with a white polyester powder
- Panels may be used in two door enclosures along with other free standing accessories
- “G” panels are pre-galvanized steel

REGULAR PANELS ONLY (FULL & HALF) NEMA 12 SINGLE DOOR

Catalog Number		Panel Size AxB	Panel Type
White	“G”		
WA60P24F1	WA60P24F1G	48.00x20.00 (1219x508)	Full
WA60P24F2	WA60P24F2G	24.88x20.00 (632x508)	Half
WA72P24F1	WA72P24F1G	60.00x20.00 (1524x508)	Full
WA72P24F2	WA72P24F2G	30.88x20.00 (784x508)	Half
WA90P24F1	WA90P24F1G	78.00x20.00 (1981x508)	Full
WA90P24F2	WA90P24F2G	39.88x20.00 (1013x508)	Half
WA72P30F1	WA72P30F1G	60.00x26.00 (1524x660)	Full
WA72P30F2	WA72P30F2G	30.88x26.00 (784x660)	Half
WA60P36F1	WA60P36F1G	48.00x32.00 (1219x813)	Full
WA60P36F2	WA60P36F2G	24.88x32.00 (632x813)	Half
WA72P36F1	WA72P36F1G	60.00x32.00 (1524x813)	Full
WA72P36F2	WA72P36F2G	30.88x32.00 (784x813)	Half
WA90P36F1	WA90P36F1G	78.00x32.00 (1981x813)	Full
WA90P36F2	WA90P36F2G	39.88x32.00 (1013x813)	Half



FEATURES-SPECIFICATIONS

Description

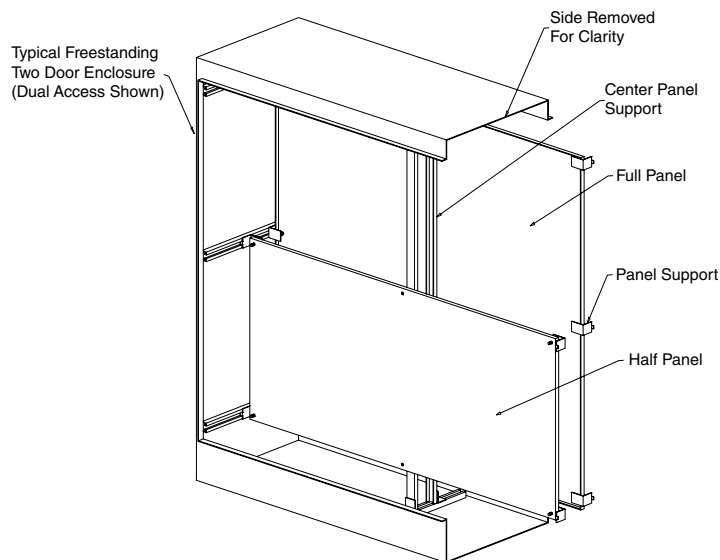
Panels for two door single-access and two door dual-access freestanding NEMA 12 enclosures.

- Panels can be positioned anywhere along horizontal depth-wise mounting channels
- Half-length panels can be installed in the upper or lower portion of the enclosure
- Mounting hardware is furnished with each panel
- Panels are painted with a white polyester powder
- “G” panels are pre-galvanized steel

BACK PANELS FOR NEMA 12 DOUBLE DOOR

Catalog Number		Panel Size AxB	Panel Type
White	“G”		
WA60P48F1	WA60P48F1G	48.00x44.00 (1219x1118)	Full
WA60P48F2	WA60P48F2G	24.88x44.00 (632x1118)	Half
WA72P48F1	WA72P48F1G	60.00x44.00 (1524x1118)	Full
WA72P48F2	WA72P48F2G	30.88x44.00 (784x1118)	Half
WA72P60F1	WA72P60F1G	60.00x56.00 (1524x1422)	Full
WA72P60F2	WA72P60F2G	30.88x56.00 (784x1422)	Half
WA72P72F1	—	60.00x68.00 (1524x1727)	Full
WA72P72F2	WA72P72F2G	30.88x68.00 (784x1727)	Half
WA90P48F1	WA90P48F1G	78.00x44.00 (1981x1118)	Full
WA90P48F2	WA90P48F2G	39.88x44.00 (1013x1118)	Half
WA90P72F1	—	78.00x68.00 (1981x1727)	Full
WA90P72F2	WA90P72F2G	39.88x68.00 (1013x1727)	Half

NOTE: Center Panel support is supplied with a regular Two Door Enclosure Panel. This support is used only as a brace. It is not intended to be used as a support for Single Door Panels, relay racks, etc.



FEATURES-SPECIFICATIONS

Description

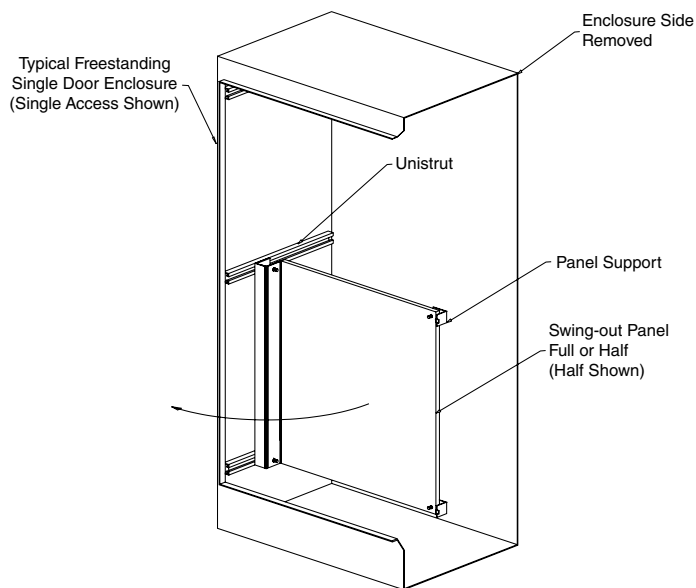
Panels for freestanding NEMA 12 Enclosures and freestanding NEMA 4 Enclosures.

- Full-length, half-length and swing-out panels are available
- Half-length panels can be installed in the upper or lower portion of the enclosure
- Mounting can be on either side of the enclosure
- Mounting hardware is furnished with each panel
- Panels may be used in two door enclosures along with other freestanding accessories
- Panels are painted with a white polyester powder
- "G" panels are pre-galvanized steel

SWING-OUT PANELS ONLY (FULL & HALF) NEMA 12 SINGLE DOOR

Catalog Number		Panel Size AxB	Panel Type
White	"G"		
WA60SP24F3	WA60SP24F3G	48.00x19.00 (1219x483)	Full
WA60SP24F4	WA60SP24F4G	24.88x19.00 (632x483)	Half
WA72SP24F3	WA72SP24F3G	60.00x19.00 (1524x483)	Full
WA72SP24F4	WA72SP24F4G	30.88x19.00 (784x483)	Half
WA72SP30F3	WA72SP30F3G	60.00x25.00 (1524x635)	Full
WA72SP30F4	WA72SP30F4G	30.88x25.00 (784x635)	Half
WA60SP36F3	WA60SP36F3G	48.00x31.00 (1219x787)	Full
WA60SP36F4	WA60SP36F4G	24.88x31.00 (632x787)	Half
WA72SP36F3	WA72SP36F3G	60.00x31.00 (1524x787)	Full
WA72SP36F4	WA72SP36F4G	30.88x31.00 (784x787)	Half
WA90SP36F3	WA90SP36F3G	78.00x31.00 (1981x787)	Full
WA90SP36F4	WA90SP36F4G	39.88x31.00 (1013x787)	Half

NOTE: If used in a Two Door Enclosure, a center panel support must be ordered.



FEATURES-SPECIFICATIONS

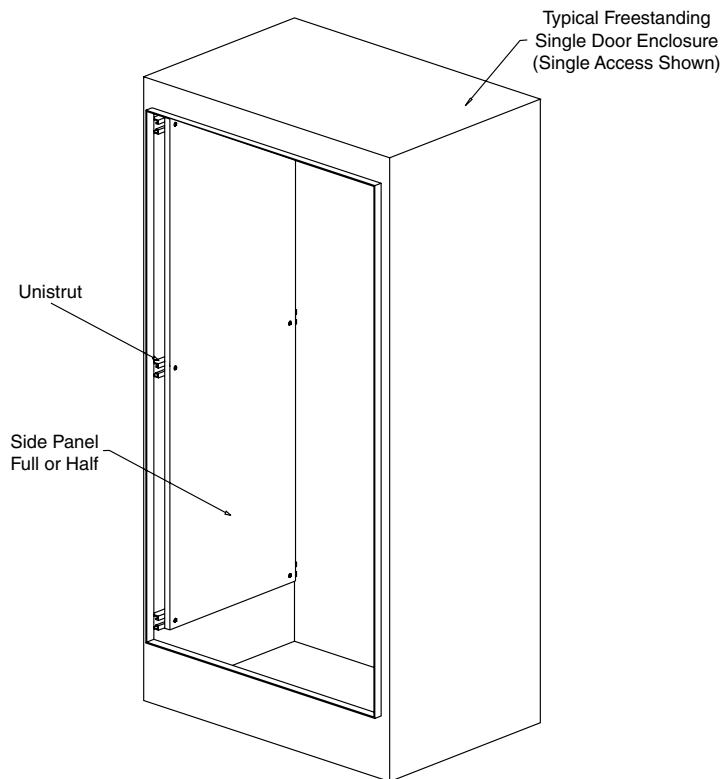
Description

Panels for freestanding NEMA 12 and freestanding NEMA 4 Enclosures.

- They provide extra mounting space on the sides of the enclosures
- Panels attach securely to mounting channels
- Panel mounting hardware is included
- Panels are painted with a white polyester powder
- “G” panels are pre-galvanized steel

SIDE-MOUNT PANELS FOR SINGLE OR DOUBLE DOOR

Catalog Number		Panel Size AxB	Enclosure Depth
White	“G”		
WA60SMP14	WA60SMP14G	48.00x14.00 (1219x356)	18”
WA72SMP14	WA72SMP14G	60.00x14.00 (1524x356)	18”
WA72SMP20	WA72SMP20G	60.00x20.00 (1524x508)	24”
WA90SMP14	WA90SMP14G	78.00x14.00 (1981x356)	18”
WA90SMP20	WA90SMP20G	78.00x20.00 (1981x508)	24”



FEATURES-SPECIFICATIONS

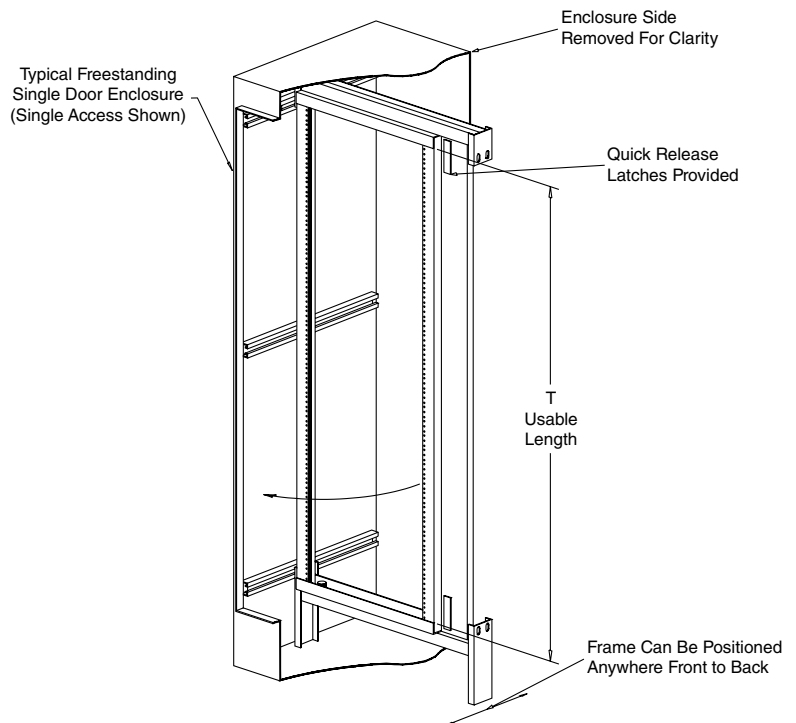
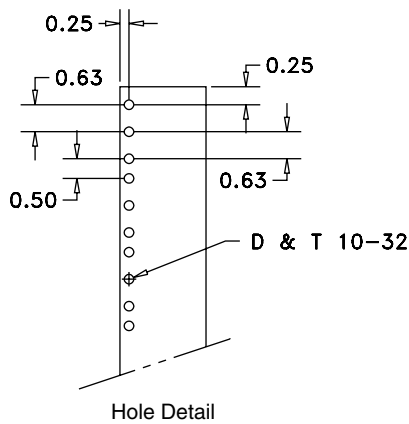
Description

- Swing-out rack mounting frames are available for installing rack mounting equipment. Mounting holes are tapped with #10-32 threads spaced per E.I.A. standard
- Panels are painted with a white polyester powder

SWING-OUT RACKS FOR SINGLE OR DOUBLE DOOR

Catalog Number	Fits Enclosure HxW	Rack Size	Usable Angle Length "T"
WA7230S0F19	72.00x30.00 (1829x762)	19.00 (483)	57.88 (1470)
WA7236S0F19	72.00x36.00 (1829x914)	19.00 (483)	57.88 (1470)
WA9036S0F19	90.00x36.00 (2286x914)	19.00 (483)	75.38 (1915)

NOTE: If used in a Two Door Enclosure, a center panel support must be ordered.



FEATURES-SPECIFICATIONS

Type RP

For freestanding NEMA 12 Enclosures

- Full-length or half-length rack mounting angles are available for installing rack-mounted equipment
- If used in Two Door Enclosures a center panel support must be ordered
- Carbon steel panels are painted with a white polyester powder

Type RA

For all freestanding NEMA 12 and NEMA 4 Enclosures

- Designed for mounting 19 inch and 24 inch rack mounted equipment
- Through holes (7/32 Dia.) are provided and require a W1032N clip nut (must be ordered separately)
- Rack angles are installed on mounting channels within the freestanding enclosures and are adjustable
- If used in Two-Door Enclosures a center panel support must be ordered
- Carbon steel panels are painted with a white polyester powder

RELAY RACK ANGLES FOR SINGLE OR DOUBLE DOOR

Catalog Number	Length "L"
WA60RP24F5	49.00 (1245)
WA60RP24F6	26.25 (667)
WA72RP24F5	61.25 (1556)
WA72RP24F6	31.50 (800)
WA72RP30F5	61.25 (1556)
WA72RP30F6	31.50 (800)
WA90RP24F5	78.75 (2000)
WA90RP24F6	40.25 (1022)

WA-RA RELAY RACK ANGLES

Catalog Number	Fits Enclosure HxW	Rack Size	Usable Angle Length "L"
WA60RA19TH	60.00x24.00 (1524x610)	19.00 (483)	49.00 (1245)
WA72RA19TH	72.00x24.00 (1829x610)	19.00 (483)	61.25 (1556)
WA72RA24TH	72.00x30.00 (1829x762)	24.00 (610)	61.25 (1556)
WA90RA19TH	90.00x24.00 (2286x610)	19.00 (483)	78.75 (2001)

NOTE: If used in a Two Door Enclosure, a center panel support must be ordered.

- NOTES:
 1. W = 2.00 IF RACK SIZE = 19.00
 1. W = 2.50 IF RACK SIZE = 24.00

CENTER PANEL SUPPORT

Catalog Number	Height	Description
WA60FSCPS	60"	Fits enclosure height of 60"
WA72FSCPS	72"	Fits enclosure height of 72"
WA90FSCPS	90"	Fits enclosure height of 90"

NOTE: Center Panel Support is provided with Two Door enclosure panels. This support is used only as a brace. It is not intended to be used as a support for Single Door panels, relay racks, swing out panels, or swing out racks.

