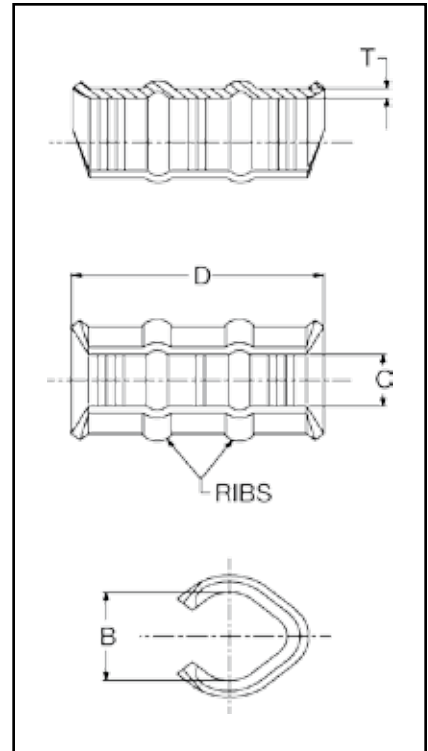


TYPE YC-L

THIN-WALL COPPER C-TAP

UL Listed to 600 Volts

Type YC-L is a thin-wall high conductivity copper connector for making copper tap and parallel connections from #14 to 3/0 AWG.



Features & Benefits

- Manufactured from high conductivity wrought copper
 - ◇ Provides low resistance and excellent electrical conductivity
- Range-taking connector
 - ◇ Lowers inventory requirements
- Reinforced ribs
 - ◇ Provides maximum pull-out values
- Compact size
 - ◇ Easy to tape and insulate connection
- Economical
 - ◇ Provides low installed cost

C-129

Catalog Number	Accommodates		No. of Ribs	Dimensions				Color Code	Installation Tooling							Wire Strip Length
									Mechanical			Hydraulic				
									Y1MRTC	MD6, 0UR840 & MD7-34R Die No. (# crimps)	Die ▲ Index Embossment	BCT500, Y500CT, BAT500 (# crimps)	Y35, Y39, Y750, Y45, Y46* (# of crimps)	Die ▲ Index Embossment		
YC8L12	10 8	10 12	0	0.25	0.21	0.6	0.07	Blue	Blue (1)	W5CVT (1)	7	—	—	—	5/8"	
YC6L12	8 6	10-8 12-10	0	0.33	0.25	0.6	0.07	Gray	Gray (2)	W4CVT (1)	8	—	—	—	5/8"	
YC4L12**	6 5,4	8-6 12-8	1	0.39	0.28	1.18	0.07	Brown	Brown (2)	W2CVT (2)	10	WC4 (1)	UC4 (1)	10M	1-3/16"	
YC3L12	5,4 3	6-5 12-6	1	0.46	0.27	1.18	0.08	Green	—	W1CVT (2)	11	—	—	—	1-3/16"	
YC2L12**	4 3 2	4 5 12-6	1	0.5	0.36	1.18	0.08	Pink	—	W25VT (2)	12	WC2 (1)	UC2 (1)	12M	1-3/16"	
YC1L12**	3 2 1	4-3 5-4 12-5	2	0.55	0.34	1.75	0.08	Black	—	W26VT (3)	13	WC1 (2)	UC1 (1)	13M	1-13/16"	
YC25L12**	2 Str. 2 Sol. 1 Str. 1 Sol.	2 Str. 2 Sol. 3 Str. 3 Sol. 4 Str. 4 Sol. 3 Str. 3 Sol.	2	0.62	0.42	1.75	0.09	Orange	—	W27VT (3)	14	WC25 (2)	UC25 (1)	14M	1-13/16"	
YC26L12	1 1/0 2/0	2-1 3-2 12-3	2	0.69	0.43	1.75	0.09	Purple	—	W28VT (3)	15	—	UC26 (1)	15	1-13/16"	
YC27L12	1/0 2/0 3/0	1-1/0 2-1 12-2	2	0.81	0.48	1.75	0.09	Yellow	—	W29VT (3)	16	—	—	—	1-13/16"	

▲ See tooling section of this catalog for complete tool and die listings.

* Use PUADP-1 adapter with U dies in Y46 HYPRESS™ For Tin plating add TN suffix (example = YC10L12TN)

Note: All dimensions shown are for reference only.

** Also Listed for Grounding and Bonding (Cannot use Y1MRTC tool for this feature)

Blue highlighted items are industry standard and most frequently ordered.

Y1MRTC

HYTOOL™

#8 – #1 Copper HYDENT™
Terminals, Splices, and #6 – #6
Thin-Wall C-Taps

Type Y1MRTC mechanical full cycle ratchet HYTOOL™ will accommodate copper compression HYDENT™ connectors for #8 through #1 code conductor, #8 through #2 Class I flexible strand copper conductor, and #2 solid. The color coded die wheel rotates to provide a proper match of the die and color coded connector. The die index is embossed on the crimped connector for permanent inspectability. A ratchet mechanism assures the tool must complete a full cycle before releasing.

SPECIFICATIONS

Length:	9.875"
Height:	2.72" (closed)
Width:	.73"
Weight:	1.7 lbs.



Features and Benefits

- Rotating die is color coded to match color coded connectors.
- Die index embossment allows permanent inspectability of installed connectors to insure consistently reliable and dependable connections.
- Molded comfort grips reduce fatigue during continuous use.
- Ratchet mechanism assures a complete crimp every time.
- Emergency release mechanism allows tool to be removed from connector in case of mistaken die choice or to reposition tool.
- 5-year limited warranty.

Y1MRTC

Wire Range: #8-#1 AWG Class B,
#8-#2 Class I Flex.
#2 Solid & #3 Stranded

Y1MRKIT

Kit Contains:
Y1MRTC Full-cycle Ratchet Tool
Sturdy Metal Carrying Case

Terminals:
YA8CL, YA8CL1, YA6CL,
YAV6CLTC14FX, YA4CL,
YAV4CLTC516FX, YA2CL,
YAV2CLTC516FX, YA1CL

Splices:
YS8CL, YS6CL, YS4CL,
YS2CL, YS1CL

Y1MRTCKIT

Kit Contains:
Y1MRTC Full-cycle Ratchet Tool
Sturdy Metal Carrying Case

Terminals:
YA8CL2TC14 YA8CL2TC38
YA6C2TC38 YA6CL2TC14
YA6CL2TC14E1 YA6CL2TC14E2
YA6CL2TC38 YAV6CL2TC14E2FX
YAV6CL2TC14FX YA4CL2TC14
YA4CL2TC38 YA3C2TC38
YA2C2TC38 YA2CL2TC38
YA2CL2TC14

Thin-Wall C-Taps:
YC4L12

FOR USE ON

Cu Lug and Splice Connectors				
Copper Wire Size	Connector Catalog Types	Die Index # (Color)	# of Crimps Per Barrel Length	
			Std	Long
#8 AWG Code & Flex	YA8C- YS8C- YAV8C- YSV8C-	49 (Red)	1	2
#6 AWG Code	YA6C- YS6C-	7 (Blue)	1	2
#6 AWG Code & Flex	YAV6C- YSV6C-			
#4 AWG Code	YA4C- YS4C-	8 (Grey)	2	4
#4 AWG Code & Flex	YAV4C- YSV4C-			
#3 AWG #2 Sol.	YA3C- YS3C-	9 (White)	2	4
#2 AWG Code	YA2C YS2C-	10** (Brown)	2	4
#2 AWG Code & Flex	YAV2C- YSV2C-			
#1 AWG Code	YA1C- YS1C-	11** (Green)	2	4

** Die Index 10 (Brown Die) and 11 (Green Die) use the same die wheel crimp groove.
Die Index Number Embossment on Connector after Crimp for inspection verification.

Cu C-Tap Connectors				
Catalog Number	Wire Size Cu Str. AWG		Die Index # (Color)	# of Crimps
	Run	Tap		
YC10L12	14 12 10	16-14 16-14 16	49 (Red)	1
YC8L12	10 8	10 12	7 (Blue)	1
YC6L12	8 6	10-8 12-10	8 (Grey)	1
YC4L12	6 5,4	8-6 12-8	10 (Brown)	2

ALPHA-NUMERIC INDEX BY CATALOG NUMBER (Continued)

Catalog Number	Page #	Catalog Number	Page #	Catalog Number	Page #	Catalog Number	Page #
YAZ453TC12	C-33	YAZV252TC14E2FX	C-66	YAZV6C2TC14FX	C-65	YC25A4	H-22
YAZ45TC12	C-33	YAZV252TC14FX	C-66	YAZV6C2TC14FXSL	C-83	YC25L12	C-129
YAZ46-2N	C-46	YAZV252TC14FXSL	C-84	YAZV6C2TC14FXSLBOX500	C-83	YC26A25	H-22
YAZ46TC12	C-33	YAZV252TC14FXSLBOX500	C-84	YAZV6C2TC38E2FX	C-65	YC26A26	H-22
YAZ47-2N	C-46	YAZV252TC38FX	C-66	YAZV6C2TC38E6FX	C-65	YC26C2	C-130, H-21
YAZ47TC12	C-33	YAZV252TC38FXSL	C-84	YAZV6C2TC38FX	C-65	YC26C26	C-130, H-21
YAZ48-2N	C-46	YAZV252TC38FXSLBOX500	C-84	YAZV6C2TC38FXSL	C-83	YC26L12	C-129
YAZ48TC12	C-33	YAZV25TC12FX	C-57	YAZV6C2TC38FXSLBOX500	C-83	YC27L12	C-129
YAZ4C-2N	C-44	YAZV25TC14FX	C-57	YAZV6CTC14FX	C-56	YC28A2	H-22
YAZ4C-2TC10-E2	C-44	YAZV25TC38FX	C-57	YAZV6CTC38FX	C-56	YC28A25	H-22
YAZ4C-2TC14	C-44	YAZV262NTCFX	C-66	YBA15ALKIT	C-17	YC28A26	H-22
YAZ4C-2TC14E2	C-44	YAZV262TC14E2FX	C-66	YBA25A	C-16	YC28A28	H-22
YAZ4C-2TC38	C-44	YAZV262TC14FX	C-66	YBA26A	C-16	YC28C2	C-130, H-21
YAZ4CTC12	C-31	YAZV262TC14FXSL	C-84	YBA27A	C-16	YC28C26	C-130, H-21
YAZ4CTC14	C-31	YAZV262TC14FXSLBOX500	C-84	YBA28A	C-16	YC28C28	C-130, H-21
YAZ4CTC38	C-31	YAZV262TC38E6FX	C-66	YBA29	C-14	YC28U26	H-25
YAZ5C-2N	C-43	YAZV262TC38FX	C-66	YBA29A	C-16	YC2A2	H-22
YAZ5CTC12	C-31	YAZV262TC38FXSL	C-84	YBA30A	C-16	YC2A4	H-22
YAZ6C-2N	C-43	YAZV262TC38FXSLBOX500	C-84	YBA31A	C-16	YC2C2	C-130, H-21
YAZ6C-2TC10E2	C-43	YAZV26TC12FX	C-57	YBA31FX	C-14	YC2C4	C-130, H-21
YAZ6C-2TC14	C-43	YAZV26TC14FX	C-57	YBA32A	C-16	YC2L12	C-129
YAZ6C-2TC14E1	C-43	YAZV26TC38FX	C-57	YBA32FX	C-14	YC33R26	H-22
YAZ6C-2TC14E2	C-43	YAZV272TC14E2FX	C-66	YBA34A	C-16	YC33R26U	H-25
YAZ6C-2TC38	C-43	YAZV272TC38FX	C-66	YBA34FX	C-14	YC3L12	C-129
YAZ6C2TC38E16	C-43	YAZV27TC38FX	C-57	YBA36A	C-16	YC4A4	H-22
YAZ6C-2TC38E2	C-43	YAZV282NT38FX	C-71	YBA36FX	C-15	YC4A6	H-22
YAZ6C-2TC38E6	C-43	YAZV282NTCFX	C-66	YBA36FX58	C-15	YC4C4	C-130, H-21
YAZ6C2TC38SL	C-82	YAZV282TC14E2FX	C-66	YBA38FX	C-15	YC4C6	C-130, H-21
YAZ6C2TC38SLBOX500	C-82	YAZV282TC14FXSL	C-84	YBA39	C-15	YC4C8	C-130, H-21
YAZ6CTC12	C-31	YAZV282TC14FXSLBOX500	C-84	YBA39A	C-16	YC4L12	C-129
YAZ6CTC14	C-31	YAZV282TC38FX	C-66	YBA42A	C-16	YC4U1	H-25
YAZ6CTC38	C-31	YAZV282TC38FXSL	C-84	YBA44A	C-16	YC6L12	C-129
YAZ8C-2TC10	C-43	YAZV282TC38FXSLBOX500	C-84	YBA44FX	C-15	YC8C8	C-130, H-21
YAZ8C2TC1090SL	C-82	YAZV28NT38FX	C-57	YBA44FX58	C-15	YC8L12	C-129
YAZ8C-2TC10E2	C-43	YAZV28TC12FX	C-57	YBAF15CLKIT	C-17	YCA25-2N	H-73
YAZ8C2TC10E2FX	C-65	YAZV28TC38FX	C-57	YBAV25FX14	C-14	YCA25R-2N	H-75
YAZ8C2TC10FX	C-65	YAZV292NT516FX	C-66, C-71	YBAV26FX14	C-14	YCA25RL-2N	H-74
YAZ8C2TC10SL	C-82	YAZV29NT516FX	C-57	YBAV27FX14	C-14	YCA26-2N	H-73
YAZ8C-2TC14	C-43	YAZV2C2NT14E2FX	C-71	YBAV28FX	C-14	YCA26R-2N	H-75
YAZ8C-2TC14E1	C-43	YAZV2C2NTCFX	C-65	YBM1C-L	B-26	YCA26RL-2N	H-74
YAZ8C2TC14E1FX	C-65	YAZV2C2TC14E2FX	C-65	YBM1C-L3	B-26	YCA27-2N	H-73
YAZ8C-2TC14E2	C-43	YAZV2C2TC14FX	C-65	YBM25-L	B-26	YCA27R-2N	H-75
YAZ8C2TC14E2FX	C-65	YAZV2C2TC14FXSL	C-84	YBM25-L1	B-26	YCA27RL-2N	H-74
YAZ8C2TC14FX	C-65	YAZV2C2TC14FXSLBOX500	C-84	YBM25-L2	B-26	YCA28-2N	H-73
YAZ8C-2TC38	C-43	YAZV2C2TC38FX	C-65	YBM26-L	B-26	YCA28R-2N	H-75
YAZ8C2TC38FX	C-65	YAZV2C2TC38FXSL	C-84	YBM28-1/4	B-26	YCA28RL-2N	H-74
YAZ8CTC10	C-31, C-56	YAZV2C2TC38FXSLBOX500	C-84	YBM2C-L	B-26	YCA29-2N	H-73
YAZ8CTC14	C-31, C-56	YAZV2CTC12FX	C-56	YBM2C-L1	B-26	YCA2R-2N	H-75
YAZ8CTC38	C-31, C-56	YAZV2CTC14FX	C-56	YBM2C-L2	B-26	YCA2RL-2N	H-74
YAZV10-2TC14	C-43	YAZV2CTC38FX	C-56	YBM4C-L	B-26	YCA30-2N	H-73
YAZV102TC14E1	C-65	YAZV4C2NT14E2FX	C-71	YBM4C-L1	B-26	YCA30R-2N	H-75
YAZV10-2TC14E2	C-43	YAZV4C2TC14E2FX	C-65	YBM4C-L2	B-26	YCA31-2N	H-73
YAZV102TC14SL	C-83	YAZV4C2TC14FX	C-65	YBM4C-L4	B-26	YCA321R-2N	H-75
YAZV10TC14	C-31	YAZV4C2TC14FXSL	C-83	YBM6C-L	B-26	YCA321RL-2N	H-74
YAZV1C2TC14E1FX	C-66	YAZV4C2TC14FXSLBOX500	C-83	YBM6C-L2	B-26	YCA32-2N	H-73
YAZV1C2TC14E2FX	C-66	YAZV4C2TC38E2-FX	C-65	YBM6C-L3	B-26	YCA33R-2N	H-75
YAZV1C2TC14FX	C-66	YAZV4C2TC38FX	C-65	YBM6C-L9	B-26	YCA34-2N	H-73
YAZV1C2TC38FX	C-66	YAZV4C2TC38FXSL	C-83	YBM8C	B-26	YCA35R-2N	H-75
YAZV1C2TC516E6FX	C-66	YAZV4C2TC38FXSLBOX500	C-83	YBM8C-T2	B-26	YCA361R-2N	H-75
YAZV1C2TC516FX	C-66	YAZV4CTC14FX	C-56	YBM8CT4	B-26	YCA37R-2N	H-75
YAZV1CTC14FX	C-56	YAZV4CTC38FX	C-56	YC10C10	C-130, H-21	YCA391A-2N	H-76
YAZV1CTC38FX	C-56	YAZV6C2TC10E2FX	C-65	YC1L12	C-129	YCA39-2N	H-73
YAZV1CTC516FX	C-56	YAZV6C2TC10FX90SL	C-83	YC1U1	H-25	YCA39R-2N	H-75
YAZV252NT14FX	C-71	YAZV6C2TC14E1FX	C-65	YC25A2	H-22	YCA43R-2N	H-76
YAZV252NTCFX	C-66	YAZV6C2TC14E2FX	C-65	YC25A25	H-22	YCA441A-4N	H-76