

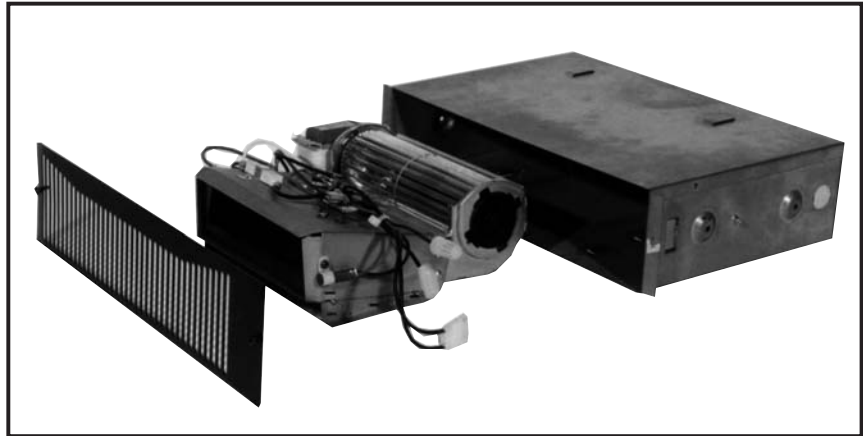
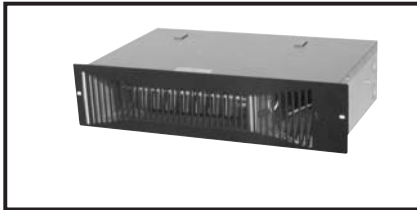


A Marley Engineered Products Brand

QTS SERIES

TOE SPACE HEATERS

- Quiet, tangential blower provides smooth air flow with minimal noise
- Field adaptable to lower wattage
- Power disconnect plug standard
- Three piece construction features "slide in" fan deck
- Easy to install back box
- Available with optional field-installed, built-in thermostat featuring snap-in mounting



APPLICATIONS

Where all the wall space is used up by appliances and cabinets in your kitchen. Basement or den, toe-space heater will fit where no other heater will.

It can be recessed into toe-space areas under kitchen or utility room cabinets or into the soffit area above them. It can also be recessed into the risers of a stairway or under the vanity in the bathroom. It is also convenient for checkout counters, ticket or toll-booths and many other places where no other heater seems to fit.

FEATURES

Two models
One model for 120 volt applications, another for 240/208 volt applications.
Multiple Wattage
Quick disconnects on wiring leads permit convenient means of changing the output from 1500

watts to 750 watts. (See Selection Chart on Page 2).

Small Size
With a width of 14-1/8" the back box will fit in the most narrow of applications.

Over temperature Protection
Each unit comes equipped with an automatic over temperature protector that guards against overheating. Also standard is a pilot light that indicates the protector has operated. A thermal fuse provides a second level of over temperature protection.

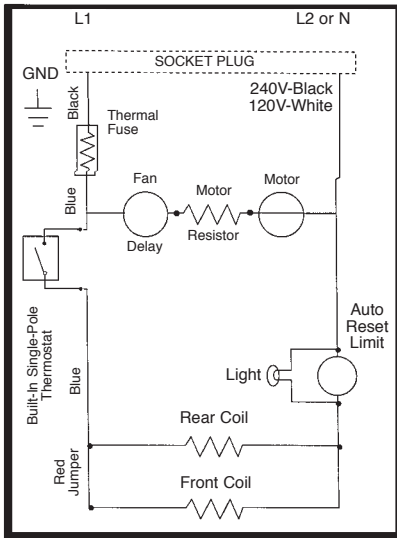
Uniform Heating Of All Discharge Air
Heavy gauge steel fins are brazed to low watt density steel sheathed tubular heating elements in a uniform grid pattern. The grid covers the entire discharge area, resulting in uniform heating of all discharge air, lower operating temperature and prolonged element life.

Quiet Operation
The tangential blower and the impedance protected, permanently lubricated motor provide trouble-free, quiet operation.

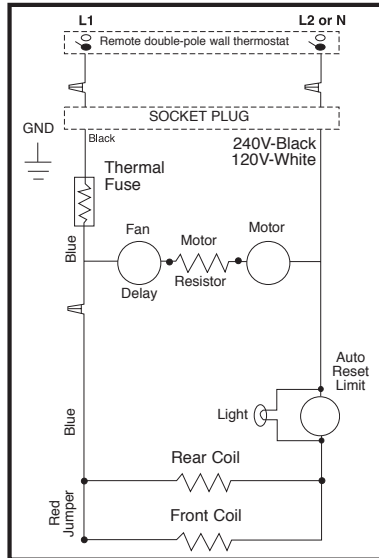
Thermostat Options
The TS Series units can be operated by either a built-in or wall mounted, single pole line voltage thermostat. A wall mounted thermostat requires separate feed from heater to thermostat. A single pole, built-in thermostat kit is available for field installation.

Three Piece Construction
A separate back box, fan deck and front cover makes installation simple and quick. The slide in fan deck locks into place without the use of fasteners, cutting down on installation time.

WIRING DIAGRAM



QTS1504T, QTS1500T, QTS1104 (with QTS-TS accessory), QTS1100 (with QTS-TSP accessory)



ARCHITECT'S & ENGINEER'S SPECIFICATIONS*

The heating equipment shall include an electric QTS Series fan-forced air heater suitable for installing in toe space areas under cabinets or stairs as manufactured by Berko, A Marley Engineered Products Brand, Bennettsville, SC. Heaters shall be UL Listed and C-UL Listed.

BACK BOX: The back box shall be commercial grade galvanized steel and shall contain knock outs through which field wiring leads enter the box. A ground wire pigtail lead shall be attached to the back box.

INNER FRAME ASSEMBLY: The inner frame assembly shall consist of a commercial grade galvanized steel chassis on which are mounted the heating element, fan motor and tangential blower, and over temperature protectors. The inner frame assembly shall be completely prewired with a plug connection for power wiring. Pigtail leads are provided for thermostat wiring. The inner frame assembly shall lock into the back box without fasteners.

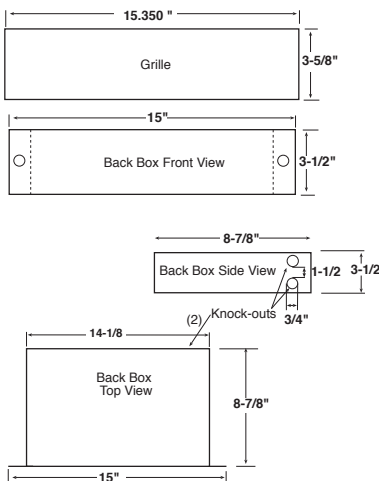
HEATING ELEMENT: The heating element shall be guaranteed for five years and shall be of non-glowing design consisting of a 80/20 Ni-Ch resistance wire enclosed in a steel sheath to which steel plate fins are brazed. The element shall cover the entire air discharge area to ensure uniform heating of all discharge air. The wattage output of the unit shall be adjustable by removing a jumper wire.

MOTOR AND CONTROLS: The fan motor shall be impedance protected and permanently lubricated. An optional single pole thermostat accessory shall be specified where the unit will not utilize a single pole wall thermostat. The over temperature protector shall be bi-metallic, snap-action type designed to shut off heater in the event of overheating. A pilot light shall be provided that will illuminate if the over temperature protector operates. A thermal fuse shall provide secondary thermal cut-out for added safety.

FRONT COVER: The front cover shall be of commercial grade steel finished in baked enamel. It will attach to the back box with two screws.

* Berko reserves the right to change specifications without notice

DIMENSIONS (IN INCHES)



MOUNTING LIMITATIONS

Thermostat range 45° to 85° F Do not install heater behind towel rack, behind door, in floor, in closet, in ceiling, or where air flow may be obstructed.

SELECTION CHART

CATALOG NUMBER	VOLTS	AMPS	WATTS	BTU/HR.
QTS1100	120	9.2/4.7	1125/563	3840/1920
QTS1104	208	4.0/2.0	844/422	2881/1440
	240	4.7/2.3	1125/563	3840/1920
QTS1500T	120	12.5/6.3	1500/750	5120/2560
QTS1504T	208	5.4/2.7	1125/563	3840/1920
	240	6.3/3.1	1500/750	5120/2560
QTS-TSP	Single pole thermostat kit for field installation in TS1100 or TS1104 heater. 25 amps @ 120-240 VAC, 45° to 85°F temperature range.			
QTS-AG	Grille 3-1/2" H x 23-3/8" W			

