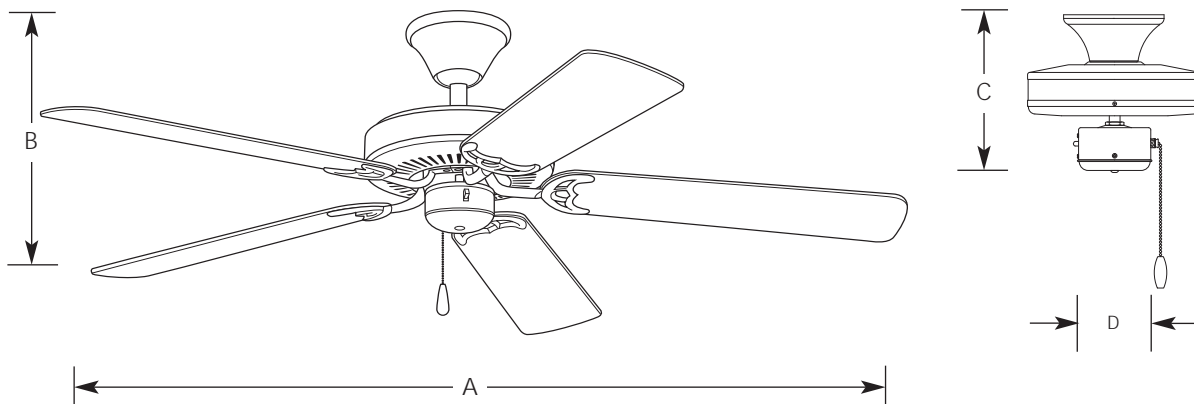


	Type							
	-04	-09	-10	-20	-30	-30W	-33	-44
P2501	<input type="checkbox"/>	<input type="checkbox"/>	<input type="checkbox"/>	<input type="checkbox"/>	<input type="checkbox"/>	<input type="checkbox"/>	<input type="checkbox"/>	<input type="checkbox"/>

Catalog No.	Finish							Dimensions (Inches)			
	Platinum Mist	Brushed Nickel	Polished Brass	Antique Bronze	White	Cobble-stone	Oxford Silver	A	B	C	D
P2501	-04	-09	-10	-20	-30, -30W*	-33	-44	52	13-1/2	9-3/4	4
Blades											
Side 1	Cherry	Cherry	Walnut	Medium Cherry	White	Rose-wood	Cherry				
Side 2	Natural Cherry	Natural Cherry	Medium Oak	Classic Walnut	Washed Oak	Honey Pine	Medium Oak				



Specifications:

General

- Energy Star certified
- 30 year limited warranty

Blades

- Five blades
- Reversible
- 12 degree pitch
- Sure Connect blade attachment system
- Screws preinstalled in blades for attachment to motor arms
 - Special guides align blades to motor arms
 - Preinstalled rubber isolation pads minimize vibration noise
 - MDF blade material

Motor

- Triple capacitor speed control; manual reverse control
- 153mm dia x 14.5mm high
- Pull chain on brushed nickel (-09) is chrome with a maple fob, polished brass (-10) is polished brass with a medium oak fob and (-10W) is polished brass with white fob, white (-30 & -30W) is chrome with a white fob, and all the rest have antique brass chains with oak fob's.

Mounting

- Dual ceiling mounting on downrod, or close to ceiling
- Quick Install canopy
 - Installs without removing J-box screws
 - Holds fan for wiring during installation
 - Dual-mount for downrod or close to ceiling mounting
- A 3/4" x 4-1/4" downrod is included. Longer accessory downrods can be ordered separately
- Standard canopy designed for sloped ceilings up to 45 degrees (12:12 ceiling pitch) using downrod supplied or accessory downrods
- Oversized, textured die cast hanger ball reduces noise and wobble vibrations
- Canopy covers standard recessed 4" octagonal outlet box. Note: An outlet box assembly designed for fan installation is required (not included)
- Mounting hardware is included

Electrical

- 80" lead wires included
- Prewired

Labeling

- UL listed



Progress Lighting
701 Millennium Blvd.
Greenville, South Carolina
29607