

DESCRIPTION

The patented Lumark Crosstour™ LED Wall Pack Series of luminaires provides an architectural style with super bright, energy efficient LEDs. The low-profile, rugged die-cast aluminum construction, universal back box, stainless steel hardware along with a sealed and gasketed optical compartment make the Crosstour impervious to contaminants. The Crosstour wall luminaire is ideal for wall/surface, inverted mount for façade/canopy illumination, post/bollard, site lighting, floodlight and low level pathway illumination including stairs. Typical applications include building entrances, multi-use facilities, apartment buildings, institutions, schools, stairways and loading docks test.

SPECIFICATION FEATURES

Construction

Slim, low-profile LED design with rugged one-piece, die-cast aluminum hinged removable door and back box. Matching housing styles incorporate both a small and large design. The small housing is available in 7W and 18W. The large housing is available in the 26W model. Patent pending secure lock hinge feature allows for safe and easy tool-less electrical connections with the supplied push-in connectors. Back box includes three (3) half-inch, NPT threaded conduit entry points. The universal back box supports both the small and large forms and mounts to standard 3-1/2" to 4" round and octagonal, 4" square, single gang and masonry junction boxes. Key hole gasket allows for adaptation to junction box or wall. External fin design extracts heat from the fixture surface. One-piece silicone gasket seals door and back box. Minimum 5" wide pole for site lighting application. Not recommended for car wash applications.

Optical

Silicone sealed optical LED chamber incorporates a custom engineered mirrored anodized reflector providing high-efficiency illumination. Optical assembly includes impact-resistant tempered glass and meets IESNA requirements for full cutoff compliance. Solid state LED Crosstour luminaires are thermally optimized with five (5) lumen packages in cool 5000K or neutral warm 3500K LED color temperature (CCT).

Electrical

LED driver is mounted to the die-cast housing for optimal heat sinking. LED thermal management system incorporates both conduction and natural convection to transfer heat rapidly away from the LED source. 7W models operate in -40°C to 40°C [-40°F to 104°F]. 18W and 26W models operate in -40°C to 40°C [-40°F to 104°F]. High ambient 50°C models available. Crosstour luminaires maintain greater than 90% of initial

Catalog #		Type	
Project			
Comments		Date	
Prepared by			

light output after 72,000 hours of operation. Three (3) half-inch NPT threaded conduit entry points allow for thru-branch wiring. Back box is an authorized electrical wiring compartment. Integral LED electronic driver incorporates surge protection. 120-277V 50/60Hz or 347V 60Hz models.

Finish

Crosstour is protected with a Super durable TGIC carbon bronze or summit white polyester powder coat paint. Super durable TGIC powder coat paint finishes withstand extreme climate conditions while providing optimal color and gloss retention of the installed life.

Warranty

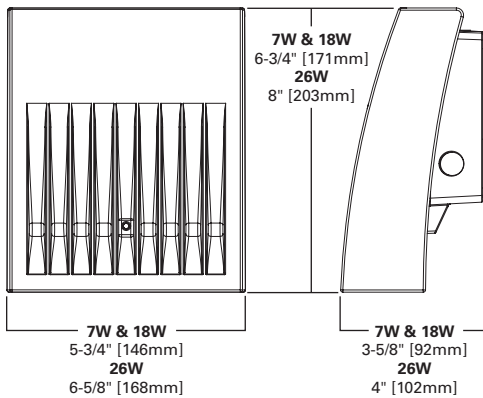
Five-year warranty.



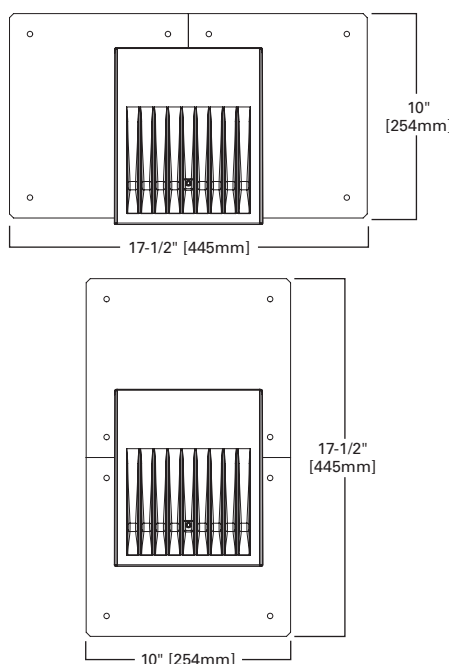
**XTOR
CROSSTOUR LED**

- APPLICATIONS:**
 WALL / SURFACE
 POST / BOLLARD
 LOW LEVEL
 FLOODLIGHT
 INVERTED
 SITE LIGHTING

DIMENSIONS



ESCUTCHEON PLATES



CERTIFICATION DATA

- UL/cUL Wet Location Listed
- LM79 / LM80 Compliant
- ROHS Compliant
- ADA Compliant
- NOM Compliant Models
- IP66 Ingressed Protection Rated
- Title 24 Compliant

TECHNICAL DATA

- 40°C Maximum Ambient Temperature
- External Supply Wiring 90°C Minimum

EPA

- Effective Projected Area: (Sq. Ft.)
- XTOR1A/XTOR2A=0.34
- XTOR3A = 0.45

SHIPPING DATA:

- Approximate Net Weight: 3.7 – 5.25 lbs. [1.7 – 2.4 kgs.]

LUMEN MAINTENANCE

Ambient Temperature	TM-21 Lumen Maintenance (72,000 Hours)	Theoretical L70 (Hours)
XTOR1A Model		
25°C	> 92%	> 290,000
40°C	> 92%	> 290,000
50°C	> 91%	> 270,000
XTOR2A Model		
25°C	> 91%	> 270,000
40°C	> 90%	> 260,000
50°C	> 88%	> 225,000
XTOR3A Model		
25°C	> 91%	> 280,000
40°C	> 91%	> 270,000
50°C	> 89%	> 240,000

LUMENS - CRI/CCT TABLE

LED Information	XTOR1A	XTOR2A	XTOR2A-N	XTOR3A	XTOR3A-N
Delivered Lumens (Wall Mount)	722	1,633	1,523	2,804	2,284
Delivered Lumens (With Flood Accessory Kit) ¹	468	1,060	978	2,168	1,738
B.U.G. Rating ²	B0-U0-G0	B1-U0-G0	B1-U0-G0	B1-U0-G0	B1-U0-G0
CCT (Kelvin)	5,000	5,000	3,500	5,000	3,500
CRI (Color Rendering Index)	65	65	70	65	70
Power Consumption (Watts)	7W	18W	18W	26W	26W

NOTES: 1 Includes shield and visor. 2 B.U.G. Rating does not apply to floodlighting.

CURRENT DRAW

Voltage	Model Series		
	XTOR1A	XTOR2A	XTOR3A
120V	0.05A	0.15A	0.22A
208V	0.03A	0.08A	0.13A
240V	0.03A	0.07A	0.11A
277V	0.03A	0.06A	0.10A
347V	0.025A	0.058A	0.082A

ORDERING INFORMATION

Sample Number: XTOR2A-N-WT-PC1

Series	LED Kelvin Color	Housing Color	Options (Add as Suffix)	Accessories (Order Separately)
XTOR1A=Small Door, 7W XTOR2A=Small Door, 18W XTOR3A=Small Door, 26W	[Blank]=Bright White (Standard) 5000K N=Neutral Warm White, 3500K ¹	[Blank]=Carbon Bronze (Standard) WT=Summit White	PC1=Photocontrol 120V ² PC2=Photocontrol 208-277V ^{2,3} 347V=347V ⁴ HA=50°C High Ambient ⁴	WG/XTOR=Wire Guard ⁵ XTORFLD-KNC=Knuckle Floodlight Kit ⁶ XTORFLD-TRN=Trunnion Floodlight Kit ⁶ XTORFLD-KNC-WT=Knuckle Floodlight Kit, Summit White ⁶ XTORFLD-TRN-WT=Trunnion Floodlight Kit, Summit White ⁶ EWP/XTOR=Escutcheon Wall Plate, Carbon Bronze EWP/XTOR-WT=Escutcheon Wall Plate, Summit White

NOTES: 1 XTOR1A not available in 3500K. 2 Photocontrols are factory installed. 3 Order PC2 for 347V models. 4 Thru-branch wiring not available with HA option or with 347V. 5 Wire guard for wall/surface mount. Not for use with floodlight kit accessory. 6 Floodlight kit accessory supplied with knuckle (KNC) or trunnion (TRN) base, small and large top visors and small and large impact shields.

STOCK ORDERING INFORMATION

7W Series	18W Series	26W Series
XTOR1A=7W, 5000K, Carbon Bronze	XTOR2A=18W, 5000K, Carbon Bronze	XTOR3A=26W, 5000K, Carbon Bronze
XTOR1A-WT=7W, 5000K, Summit White	XTOR2A-N=18W, 3500K, Carbon Bronze	XTOR3A-N=26W, 3500K, Carbon Bronze
XTOR1A-PC1=7W, 5000K, 120V PC, Carbon Bronze	XTOR2A-WT=18W, Summit White	XTOR3A-WT=26W, Summit White
	XTOR2A-PC1=18W, 120V PC, Carbon Bronze	XTOR3A-PC1=26W, 120V PC, Carbon Bronze

5-DAY QUICK SHIP ORDERING INFORMATION

7W Series	18W Series	26W Series
XTOR1A-WT-PC1=7W, 5000K, Summit White, 120V PC	XTOR2A-PC2=18W, 5000K, 208-277V PC, Carbon Bronze	XTOR3A-PC2=26W, 5000K, 208-277V PC, Carbon Bronze
	XTOR2A-WT-PC1=18W, 5000K, Summit White, 120V PC	XTOR3A-WT-PC1=26W, 5000K, Summit White, 120V PC
	XTOR2A-WT-PC2=18W, 5000K, Summit White, 208-277V PC	XTOR3A-WT-PC2=26W, 5000K, Summit White, 208-277V PC
	XTOR2A-N-WT=18W, 3500K, Summit White	XTOR3A-N-WT=26W, 3500K, Summit White
	XTOR2A-N-PC1=18W, 3500K, 120V PC, Carbon Bronze	XTOR3A-N-PC1=26W, 3500K, 120V PC, Carbon Bronze
	XTOR2A-N-PC2=18W, 3500K, 208-277V PC, Carbon Bronze	XTOR3A-N-PC2=26W, 3500K, 208-277V PC, Carbon Bronze
	XTOR2A-N-WHT-PC1=18W, 3500K, Summit White, 120V PC	XTOR3A-N-WHT-PC1=26W, 3500K, Summit White, 120V PC
	XTOR2A-N-WT-PC2=18W, 3500K, Summit White, 208-277V PC	XTOR3A-N-WT-PC2=26W, 3500K, Summit White, 208-277V PC