

# 3900 Series Hydronic Electric Baseboard Heater



Manufactured in U.S.A.

- Permanent mount self contained unit.
- Heating elements are immersed in a heat transferring liquid enclosed by a Copper tube casing with Aluminum fins.
- Powder coated 12 Gauge heavy duty extruded Aluminum housing with junction boxes located on each end of the unit.
- Automatic linear limit.
- Wire guard extends along the entire outlet area of the baseboard.
- Commercial Brown unit has in-built wireway.
- Special colors available, consult factory.
- Suitable for high altitude applications.
- 1 Year element warranty.

## Standard Models

STANDARD WHITE		COMMERCIAL BROWN		WATTS	BTU's.	VOLTS	AMPS	HEATER LENGTH (IN.)	WT. (LBS)	WHITE LIST	BROWN LIST
UPC 686334	MODEL	UPC 686334	MODEL								
111416	E3904-28	111645	E3904-28C	400	1360	120	3.3	28	16	350	372
111423	F3904-28	111652	F3904-28C	400	1360	208	1.92				
111430	H3904-28	111669	H3904-28C	400/300	1360/1024	240/208	1.6/1.4				
111447	G3904-28	111676	G3904-28C	400	1360	277	1.4				
111454	E3906-36	111683	E3906-36C	600	2048	120	5	36	22	401	426
111461	F3906-36	111690	F3906-36C	600	2048	208	2.9				
111478	H3906-36	111706	H3906-36C	600/450	2048/1536	240/208	2.5/2.2				
111485	G3906-36	111713	G3906-36C	600	2048	277	2.2				
111492	E3910-48	111720	E3910-48C	1000	3413	120	8.3	48	27	467	495
111508	F3910-48	111737	F3910-48C	1000	3413	208	4.8				
111515	H3910-48	111744	H3910-48C	1000/750	3413/2560	240/208	4.2/3.6				
111522	G3910-48	111751	G3910-48C	1000	3413	277	3.6				
111539	E3912-60	111768	E3912-60C	1250	4265	120	10.4	60	33	531	578
111546	F3912-60	111775	F3912-60C	1250	4265	208	6				
111553	H3912-60	111782	H3912-60C	1250/938	4265/3201	240/208	5.2/4.5				
111560	G3912-60	111799	G3912-60C	1250	4265	277	3.6				
111577	E3915-72	111805	E3915-72C	1500	5100	120	12.5	72	41	597	639
111584	F3915-72	111812	F3915-72C	1500	5100	208	7.2				
111591	H3915-72	111829	H3915-72C	1500/1125	5100/3825	240/208	6.3/5.4				
111607	G3915-72	111836	G3915-72C	1500	5100	277	5.4				
111614	F3920-96	111842	F3920-96C	2000	6826	208	9.6	96	58	709	763
111621	H3920-96	111850	H3920-96C	2000/1500	6826/5100	240/208	8.3/7.2				
111638	G3920-96	111867	G3920-96C	2000	6826	277	7.2				

## Product Specifications & Dimensions

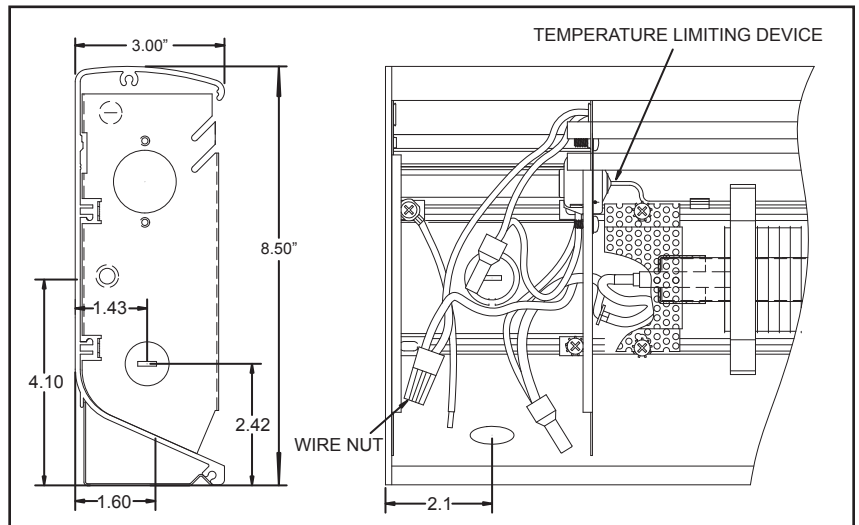
The entire heater casing shall be constructed of 6063 extruded Aluminum, minimum thickness of .100" (12 Gauge) Aluminum shall be acceptable. Outlet grill shall cover entire length of air discharge opening and be constructed of steel. All casing and grill construction shall be painted with high quality durable powder coated paint.

The heating element shall be high quality Nichrome wire encased in Magnesium Oxide and sealed in copper tube. The heating element shall be sealed in .312" diameter Copper tube and be immersed in heat transfer liquid. Aluminum fins shall be mechanically bonded to the entire heated length of the element for even heat transfer.

Linear automatic thermal limit shall extend the entire heater length of element and protect heater in case of an over-temperature condition.

Optional controls shall be mounted in junction box enclosures at either end of heater. Optional integral thermostat shall be located in junction box with adjustment knob or for tamper-proof operation. Optional disconnect switch shall be mounted in junction box. Optional 120 Volt or air conditioning receptacle shall be mounted in junction box.

Optional installation accessories shall include inside and outside corner sections for complete wall perimeter fit. Profile of corners and grill shall have appearance of heat sections for continuous architectural design. Corner accessories and heater sections shall be secured by alignment pins for easy alignment of multiple heater applications.



## Field Installed Accessories

DESCRIPTION	Standard White		Commercial Brown		LIST
	UPC# 686334	MODEL	UPC# 686334	MODEL	
Single Pole, In-Built T-Stat, 22A @ 120-240V; 18A @ 277V; 50°-90° F	111874	3900T1	111959	3900T1C	61
Double Pole, In-Built T-Stat, 22A @ 120-240V; 18A @ 277V; 50°-90° F	111881	3900T2	111966	3900T2C	79
Air Conditioning Receptacle Section, 20 Amp @ 125-277V	111898	3900AC	111997	3900ACC	72
120V. Receptacle Section, 15 Amp	111904	3900REC	112000	3900RECC	67
Disconnect Switch, 20 Amp @ 125-277VAC; DPST	111942	3900DS	112048	3900DSC	99

## Baseboard Sections



OUTSIDE CORNER

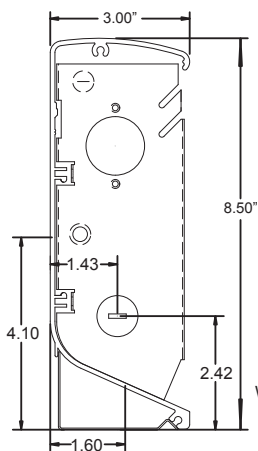


INSIDE CORNER

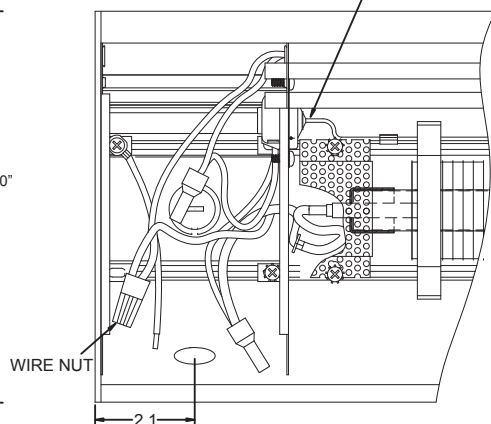
Outside and inside corner sections are 6" on longest side

STANDARD WHITE		COMMERCIAL BROWN		DESCRIPTION		LIST
UPC# 686334	MODEL	UPC# 686334	MODEL	SECTION	SIZE	
112154	39BS28	112215	39BS28C	Blank Section	28"	215
112161	39BS36	112222	39BS36C		36"	256
112178	39BS48	112239	39BS48C		48"	317
112185	39BS60	112246	39BS60C		60"	380
112192	39BS72	112253	39BS72C		72"	438
112208	39BS96	112260	39BS96C		96"	563
115094	39BS120	115100	39BS120C		120"	751
111911	3900-ICS	112017	3900-ICSC	Inside Corner		123
111928	3900-OCS	112024	3900-OCSC	Outside Corner		125
111935	3900-CS	112031	3900-CSC	Control Section	4" Blank	157

## Dimension



TEMPERATURE LIMITING DEVICE



## Wireway Covers (White Units Only)

UPC# 686334	MODEL	LENGTH	SHIP WT. (LBS)	LIST
112284	3900WW28	28"	2	47
112291	3900WW36	36"	2.5	52
112307	3900WW48	48"	3.5	62
112314	3900WW60	60"	4.5	68
112321	3900WW72	72"	5.5	73
112338	3900WW96	96"	7.5	96
115117	3900WW120	120"	7.5	129