



table of contents

Linear Fluorescent Lampholders

| | |
|--|---------------------|
| Miniature Bi-Pin | A2-A4, A19 |
| Low-Profile, Snap-In/Slide-On for T-5, Shunted and Non-shunted | A2 |
| Tall-Profile, Snap-In/Slide-On for T-5, Shunted and Non-shunted | A3 |
| T-8 to T-5 Adapter | A4 |
| Butt-on for T-5 | A19 |
| Medium Bi-Pin | A5-A22, A25 |
| Slide-On for T-8 and T-12, Shunted and Non-shunted | A5 |
| Snap-In/Slide-On for T-8, Shunted and Non-shunted | A6 |
| Snap-In/Slide-On for T-8 and T-12, Shunted and Non-shunted | A7 |
| Low-Profile, Turn-Type for T-8, Shunted and Non-shunted | A8 |
| Low-Profile, Turn-Type for T-8 and T-12 | A9 |
| Low-Profile, Turn-Type for T-8 and T-12, with Internal Shunt | A10 |
| Straight-In for T-8, Shunted and Non-shunted | A11 |
| Low-Profile, Straight-In for T-8 and T-12, Shunted and Non-shunted | A12 |
| Straight-In, Butt-On for T-8 and T-12 | A13 |
| Straight-In, Self-Locking for T-8 and T-12 | A14 |
| Slide-On for T-8 and T-12 U-Shape Lamps | A15 |
| Tall Profile, Turn-Type for T-8 and T-12, Shunted and Non-shunted | A16-A17 |
| Disconnect (Circuit-Interrupting) for T-8 and T-12 | A18 |
| Automatic Locking and Ejection for T-8 | A19 |
| Thin, Rapid-Start Quickwire | A19 |
| Thin Screw Terminal Lampholder for T-8 and T-12 with/without Starter Base | A20 |
| Butt-On for T-8 and T-12 | A21 |
| Snap-In, Quickwire for T-8 and T-12, Shunted and Non-shunted | A22 |
| Slide-On, Shallow Base for T-8 and T-12 | A25 |
| Slimline | A23-A24 |
| Snap-In, Quickwire for T-8 and T-12 | A23 |
| Slide-On, Shallow Base for T-8 and T-12 | A24 |
| Recessed Double Contact High-Output | A23, A26-A28 |
| Connectors and Starter Bases | A20, A29 |
| Circline | A29 |
| Starter Bases | A20, A29 |

NOTE: Dimensions in parentheses are in millimeters. All other dimensions are in inches

SECTION

A

MINIATURE BI-PIN SNAP-IN/ SLIDE-ON LAMPHOLDERS

Low Profile • G5 Base



LINEAR FLUORESCENT



13654-SWP

Snap-In/Slide-On Design and Lamp-Lock Socket for High-Output, Energy-Efficient T-5 Lamps

Miniature Bi-Pin Fluorescent Lampholders are dedicated for T-5 lamps with a slender 5/8" (16mm) diameter. Available shunted (Cat. No. 23654) and non-shunted (Cat. No. 13654). User-friendly benefits include snap-in or slide-on mounting options, and a 4-position, positive-stop lamp-lock socket that makes it easy to relamp in service. Available with an optional panel locator pin.

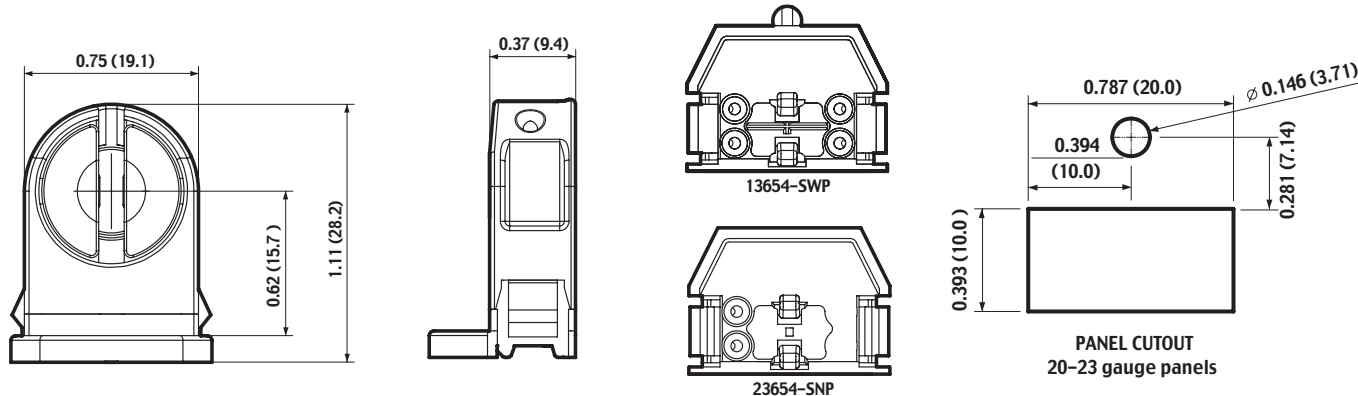
Cat. No. 13654-SWP: Low Profile Snap-In or Slide-On, with lamp-lock and locator pin.

Cat. No. 13654-SNP: Same as above, less locator pin.

Cat. No. 23654-SWP: Low Profile Snap-In or Slide-On, with lamp-lock and locator pin. Internal shunt connection for use with instant-start ballasts. Back of lampholder is stamped "S" to identify shunt and help prevent improper applications.

Cat. No. 23654-SNP: Same as above, less locator pin.

• 120W-600V • UL Listed E-5833 • CSA Certified LR-1863 • NOM Certified 057



Cat. No. 13654

MINIATURE BI-PIN SNAP-IN/ SLIDE-ON LAMPHOLDERS

Tall Profile • G5 Base



LINEAR FLUORESCENT

Snap-In/Slide-On Design and Lamp-Lock Socket for High-Output, Energy-Efficient T-5 Lamps

Miniature Bi-Pin Fluorescent Lampholders are dedicated for T-5 lamps with a slender 5/8" (16mm) diameter. Available shunted (Cat. No. 23654) and non-shunted (Cat. No. 13654). User-friendly benefits include snap-in or slide-on mounting options, and a 4-position, positive-stop lamp-lock socket that makes it easy to relamp in service. Available with an optional panel locator pin.

Cat. No. 13654-TWP: Tall Profile Snap-In or Slide-On, with lamp-lock and locator pin.

Cat. No. 13654-TNP: Same as above, less locator pin.

Cat. No. 23654-TWP: Tall Profile Snap-In or Slide-On, with lamp-lock and locator pin. Internal shunt connection for use with instant-start ballasts. Back of lampholder is stamped "S" to identify shunt and help prevent improper applications.

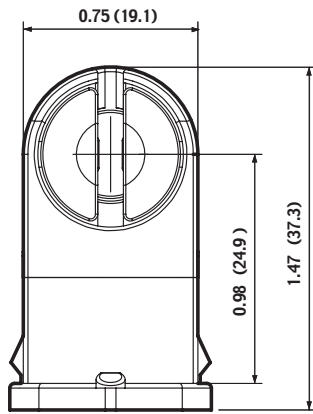
Cat. No. 23654-TNP: Same as above, less locator pin.

• 120W-600V • UL Listed E-5833 • CSA Certified LR-1863 • NOM Certified 057

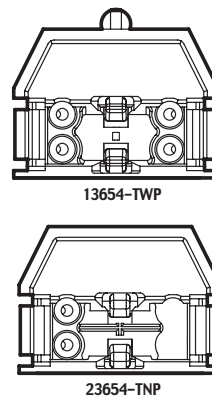
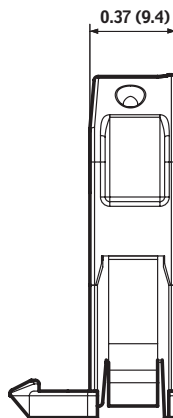


13654-TWP

SECTION A

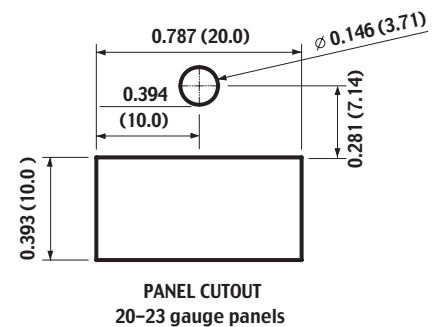


Cat. No. 13654-TWP



13654-TWP

23654-TNP



PANEL CUTOUT
20-23 gauge panels

BI-PIN FLUORESCENT LAMPHOLDERS

T-8 to T-5 Adapter • G5 Base



13654-EXL



13654-EXS

T-8 to T-5 Adapter

Adapts T-8 Fluorescent Fixtures to Accept Energy-Efficient T-5 Lamps

Simple, cost-effective solution for manufacturers seeking to incorporate miniature bi-pin T-5 lamps into an existing T-8 configuration fixture design. This innovative socket fits into existing slide-on T-8 lampholder cutouts and compensates for the variations in lamp length between T-8 linear fluorescent lamps and the corresponding lengths of T-5 lamps. No change in fixture tooling is required. Features include a 4-position, positive-stop lamp-lock socket that makes it simple for end-users to relamp in service. Molded in white chemical-resistant thermoplastic, the lampholder comes in a long or short version depending on the length of T-5 lamp being used (see chart below for proper ordering).

| Nominal Lamp Length (in.) | T-8 Lamp Length, Actual (in.) | T-5 Lamp Length, Actual (in.) | Length Difference (in.) | Leviton Dash Nos. Needed |
|---------------------------|-------------------------------|-------------------------------|-------------------------|-------------------------------|
| 60 | 59.555 | 57.606 | 1.949 | 2 Long (-EXL) |
| 48 | 47.725 | 45.795 | 1.930 | 2 Long (-EXL) |
| 36 | 35.725 | 33.984 | 1.741 | 1 Long (-EXL), 1 Short (-EXS) |
| 24 | 23.725 | 22.173 | 1.552 | 2 Short (-EXS) |

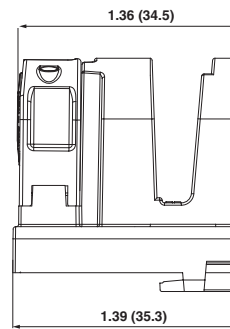
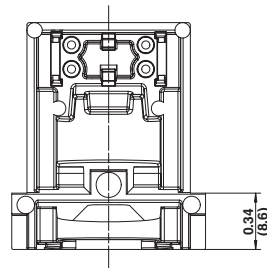
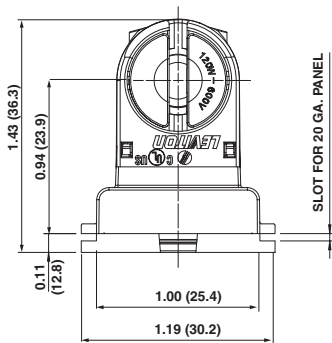
Cat. No. 13654-EXL: Long T-8 to T-5 adapter converts existing T-8 fixtures to accept energy-efficient T-5 lamps. With positive-stop lamp-lock socket.
See chart for conversion requirements.

Cat. No. 23654-EXL: Same as 13654-EXL, except shunted for use with instant-start ballasts.

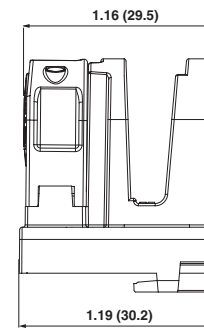
Cat. No. 13654-EXS: Short T-8 to T-5 adapter converts existing T-8 fixtures to accept energy-efficient T-5 lamps. With positive-stop lamp-lock socket.
See chart for conversion requirements.

Cat. No. 23654-EXS: Same as 13654-EXS, except shunted for use with instant-start ballasts.

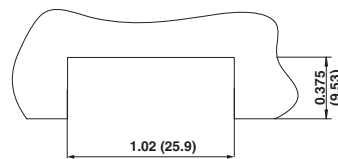
- 120W-600V • UL Listed E-5833 • CSA Certified LR-1863 • NOM Certified 057



Cat. No. 13654-EXL



Cat. No. 13654-EXS



SUGGESTED PANEL OPENING

Cat. No. 13654-EXL and 13654-EXS

MEDIUM BI-PIN FLUORESCENT LAMPHOLDERS

Medium and Tall Profile • G13 Base



LINEAR FLUORESCENT

Bottom-Wire Slide-On Design and Lamp-Lock Socket for T-8 and T-12 Lamps

Thermoplastic lampholder with slide-on mounting, knife-edge contacts, bottom-load wiring and a 4-position, positive stop lamp-lock that makes it simple for end-users to relamp in service. Fits thin 22 gauge panels. Available in two sizes: Medium Profile shunted (Cat. No. 23661) and non-shunted (Cat. No. 13661); and Tall-Profile shunted (Cat. No. 23660) and non-shunted (Cat. No. 13660).

Cat. No. 13660: Tall Profile slide-on with lamp-lock. 30 mm lamp center height. Non-shunted.

Cat. No. 23660: Same as above, except with internal shunt connection for use with instant-start ballasts

Cat. No. 13661: Medium Profile slide-on with lamp-lock. 23 mm lamp center height. Non-shunted.

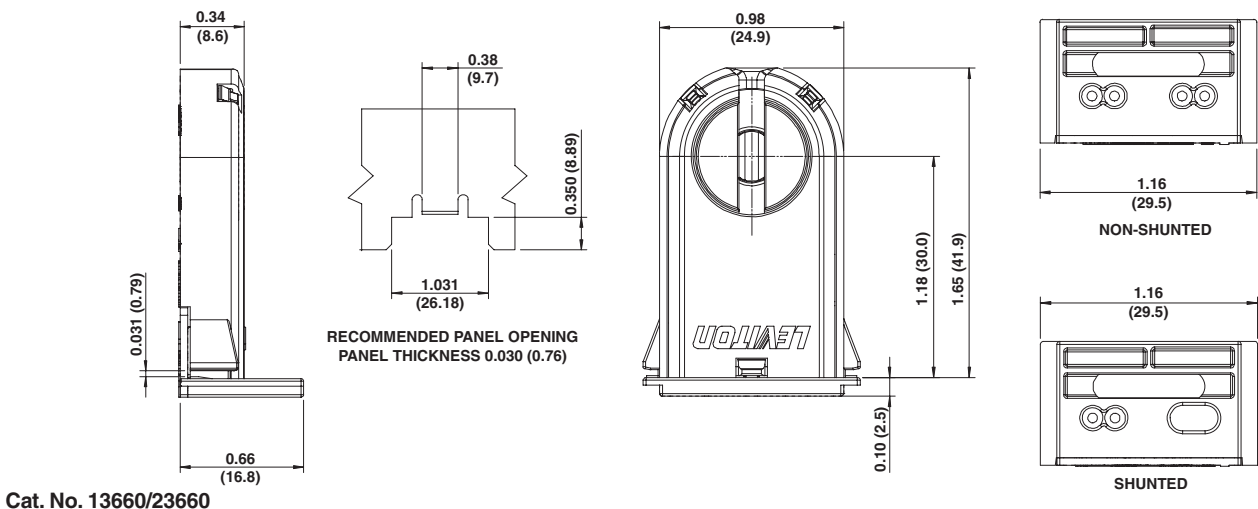
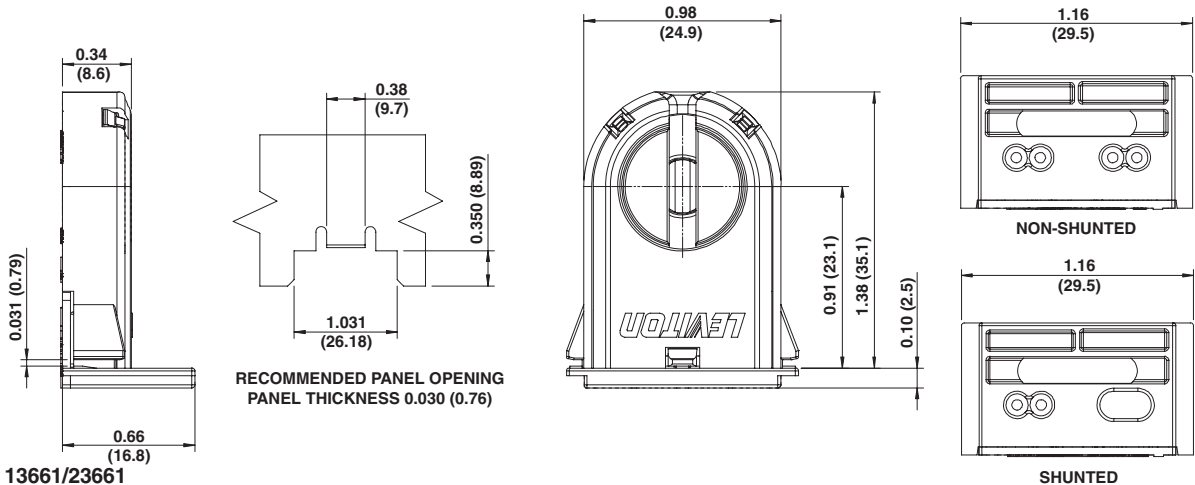
Cat. No. 23661: Same as above, except with internal shunt connection for use with instant-start ballasts



13660 & 13661

SECTION A

• 660W-600V •  E-5833 • NOM Certified 057 • VDE Certified to IEC



MEDIUM BI-PIN FLUORESCENT LAMPHOLDERS

Low Profile • G13 Base



LINEAR FLUORESCENT



13652

Snap-In/Slide-On Design and Lamp-Lock Socket

Dedicated for Energy-Efficient T-8 Lamps Only

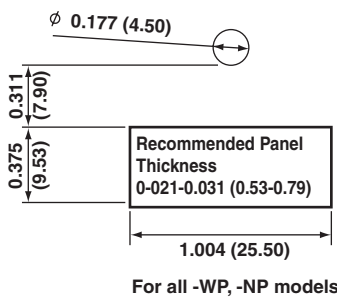
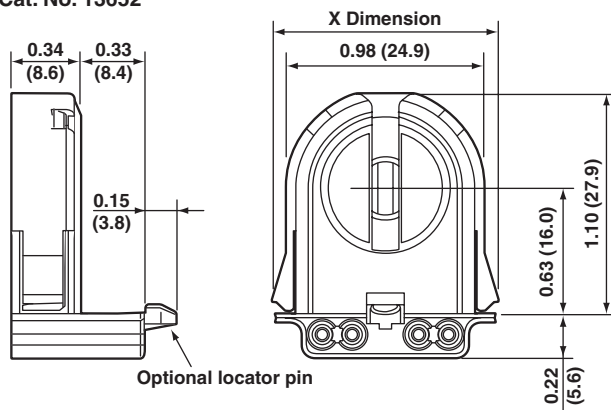
Extra-low profile thermoplastic lampholder with front push-in wiring ports for easier access, snap-in or slide-on mounting options, knife-edge contacts and a 4-position, positive-stop lamp lock that makes it simple for end-users to relamp in service. Fits thin 22 to 25 gauge panels that facilitate smaller, more cost-effective fixtures. With optional panel locator pin. Available shunted (Cat. No. 23652) and non-shunted (Cat. No. 13652).

Cat. Nos. 13652 & 23652

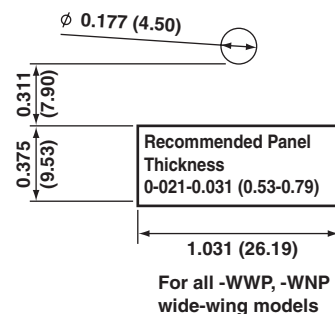
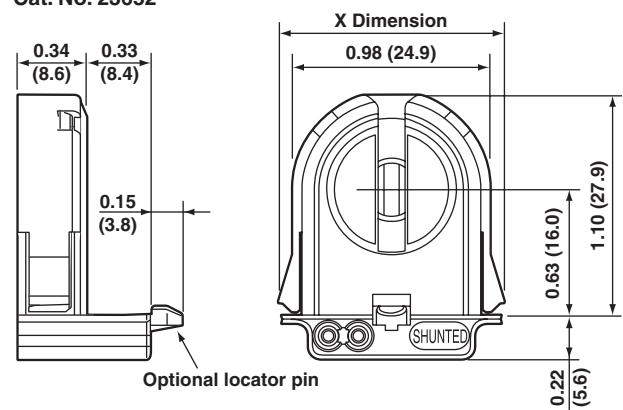
- 660W-600V • UL Listed E-5833 • CSA Certified LR-1863
- NOM Certified 057 • VDE Certified to IEC

| Cat. No. | X Dimension | Description |
|-----------|-------------|---|
| 13652-WP | 1.12 (28.4) | Medium Bi-Pin Snap-In or Slide-On Fluorescent Lampholder, T-8 dedicated, with lamp lock. |
| 13652-NP | 1.12 (28.4) | Same as above less locator post. |
| 23652-WP | 1.12 (28.4) | Same as 13652-WP, except with internal shunt connection for use with instant-start ballasts. Back of lampholder is stamped "S" to identify shunt and help prevent improper applications. |
| 23652-NP | 1.12 (28.4) | Same as above less locator post. |
| 13652-WWP | 1.15 (29.2) | Medium Bi-Pin Snap-In or Slide-On Fluorescent Lampholder, T-8 dedicated, with lamp lock. Wide-wing design. |
| 13652-WNP | 1.15 (29.2) | Same as above less locator post. |
| 23652-WWP | 1.15 (29.2) | Same as 13652-WWP, except with internal shunt connection for use with instant-start ballasts. Back of lampholder is stamped "S" to identify shunt and help prevent improper applications. |
| 23652-WNP | 1.15 (29.2) | Same as above less locator post. |

Cat. No. 13652



Cat. No. 23652



MEDIUM BI-PIN FLUORESCENT LAMPHOLDERS

Low Profile • G13 Base



LINEAR FLUORESCENT

Snap-In/Slide-On Design and Lamp-Lock Socket for T-8 and T-12 Lamps

Thermoplastic lampholder with front push-in wiring ports for easier access, snap-in or slide-on mounting options, knife-edge contacts and a 4-position, positive-stop lamp-lock that makes it simple for end-users to relamp in service. Fits thin 22 to 25 gauge panels that facilitate smaller, more cost-effective fixtures. With optional panel locator post. Available shunted (Cat. No. 23653) and non-shunted (Cat. No. 13653).

Cat. Nos. 13653 & 23653

- 660W-600V • UL Listed E-5833 • CSA Certified LR-1863
- NOM Certified 057 • VDE Certified to IEC

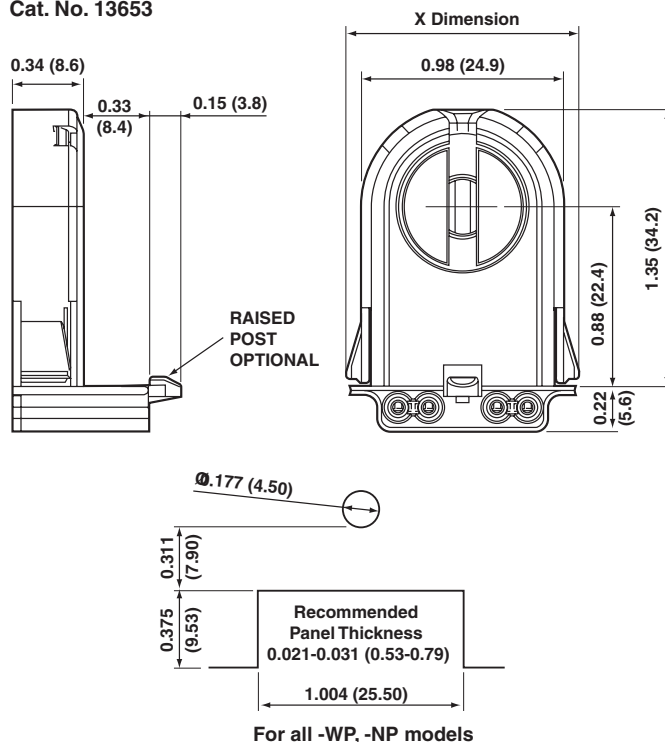


13653-WP

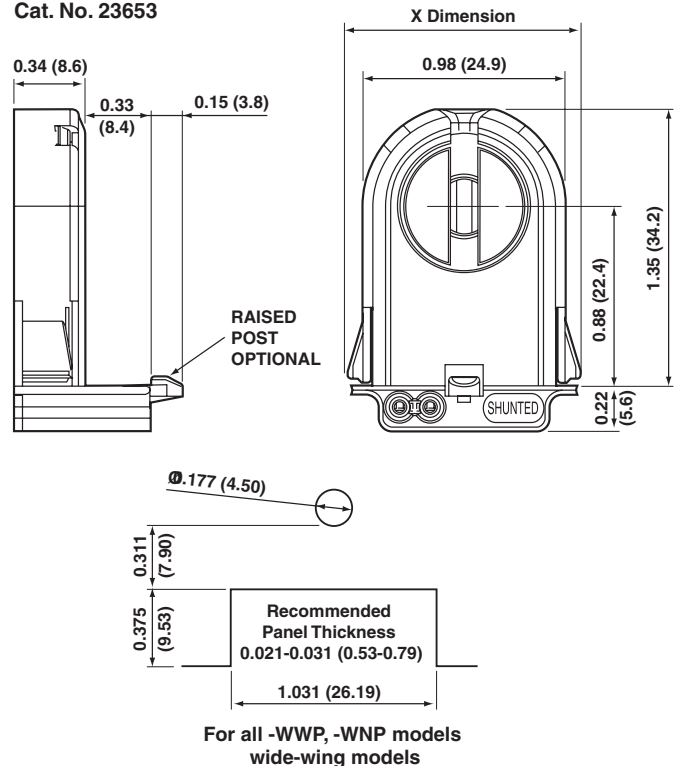
SECTION A

| Cat. No. | X Dimension | Description |
|-----------|-------------|---|
| 13653-WP | 1.12 (28.4) | Medium Bi-Pin Snap-In or Slide-On Fluorescent Lampholder for T-8 and T-12 lamps, with lamp lock. |
| 13653-NP | 1.12 (28.4) | Same as above less locator post. |
| 23653-WP | 1.12 (28.4) | Same as 13653-WP, except with internal shunt connection for use with instant-start ballasts. Back of lampholder is stamped "S" to identify shunt and help prevent improper applications. |
| 23653-NP | 1.12 (28.4) | Same as above less locator post. |
| 13653-WWP | 1.15 (29.2) | Medium Bi-Pin Snap-In or Slide-On Fluorescent Lampholder for T-8 and T-12 lamps, with lamp lock. Wide-wing design. |
| 13653-WNP | 1.15 (29.2) | Same as above less locator post. |
| 23653-WWP | 1.15 (29.2) | Same as 13653-WWP, except with internal shunt connection for use with instant-start ballasts. Back of lampholder is stamped "S" to identify shunt and help prevent improper applications. |
| 23653-WNP | 1.15 (29.2) | Same as above less locator post. |

Cat. No. 13653



Cat. No. 23653



MEDIUM BI-PIN TURN-TYPE LAMPHOLDERS

Low Profile • G13 Base



LINEAR FLUORESCENT



13651

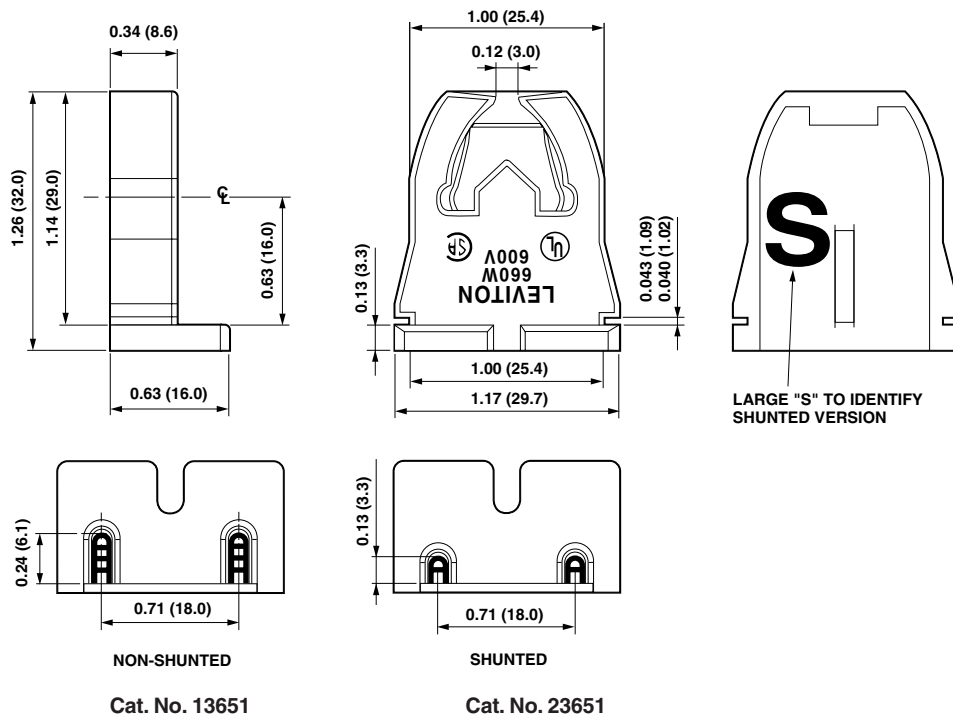
Designed for T-8 Lamps

Leviton's Medium Bi-Pin Low-Profile Lampholders Cat. Nos. 13651 (non-shunted) and 23651 (shunted) are dedicated only for T-8 fluorescent lamps. This prevents end-users from re-lamping in service with less efficient T-12 lamps. Designed with an extra low-profile, the lampholders make it possible to create smaller, more compact fixtures, reducing costs while adding versatility. Molded of white urea, they utilize a slide-on design for thin 20-gauge panels—the panels of choice for modern fixture design.

Cat. No. 13651: Medium Bi-Pin Twist-In Fluorescent Lampholder, dedicated for T-8 lamps only. Extra low-profile design. For use with 20 gauge panels.

Cat. No. 23651: Same as above, except with internal shunt connection for use with instant-start ballasts. Back of lampholder is stamped "S" to identify shunt and help prevent improper applications.

• 660W-600V • UL Listed E-5833 • CSA Certified LR-1863



MEDIUM BI-PIN STRAIGHT-IN LAMPHOLDERS

Low Profile • G13 Base



LINEAR FLUORESCENT

Turn-Type Lampholders for T-8 and T-12 Lamps

Low Profile. Molded, white thermosetting urea. Quickwire pressure terminals accept stranded No. 18 gauge, twisted and overtinned, or No. 18 solid or solder-dipped leads stripped 3/8". Knife-edge contacts. Unplated contacts are standard. Multiple terminal slots permit double connections at each contact.

Recessed wire wells completely enclose conductor, insulating against shorts.

Screws assembled or furnished bulk are #6-32 x 3/8".

Cat. Nos. 13351 & 13353

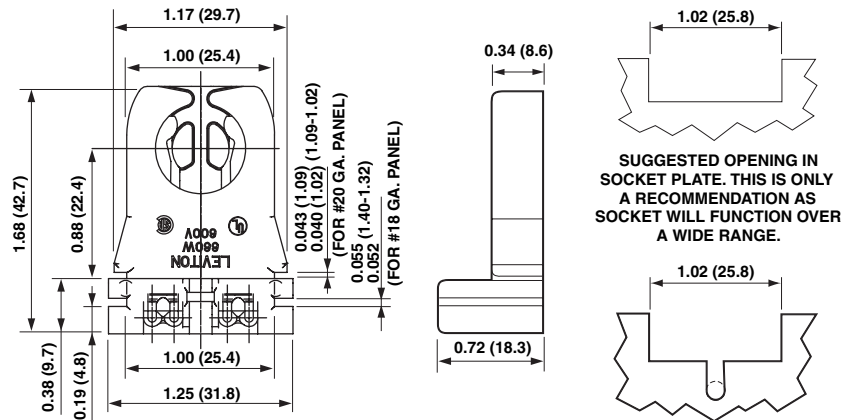
- 660W-600V • UL Listed E-5833 • CSA Certified LR-5863 • NOM Certified 057



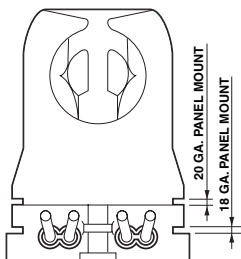
13351

SECTION A

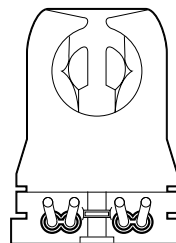
Typical Low-Profile Dimensions



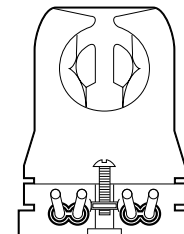
Cat. No. 13351



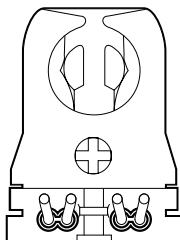
Cat. No. 13351 11/32" thick. Beveled front and individual contact legs for easier wire insertion.



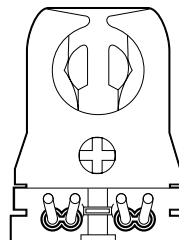
Cat. No. 13351-00N 11/32" thick #20 GA. Panel Mount Captive Nut, screws furnished bulk



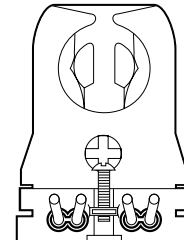
Cat. No. 13351-0NX 11/32" thick #20 GA. Panel Mount Captive Nut & Screw



Cat. No. 13353 11/32" thick #18 GA. Panel Mount



Cat. No. 13353-00N 11/32" thick #18 GA. Panel Mount Captive Nut, screws furnished bulk



Cat. No. 13353-0NX 11/32" thick #18 GA. Panel Mount Captive Nut & Screw

MEDIUM BI-PIN WITH INTERNAL SHUNT TURN-TYPE

Low Profile • G13 Base



LINEAR FLUORESCENT



23351

Lampholder with Internal Shunt Connection for T-8 and T-12 Lamps

Specially designed for use with electronic ballasts.

Provides easier fixture assembly by eliminating need for jumper-wire.

Turn-type, low profile, medium bi-pin lampholder with internal shunt connection. Knife-edge contacts. Body is molded, white thermosetting urea. Quickwire pressure terminals accept stranded No. 18 gauge twisted and overtinned, or No. 18 gauge solid or solder-dipped leads, stripped 3/8". Recessed wire well completely encloses conductor, insulating against shorts. The recessed wire well on one side of the lampholder is blocked off and labeled "SHUNTED," and the back cover is stamped "S" to help prevent improper applications.

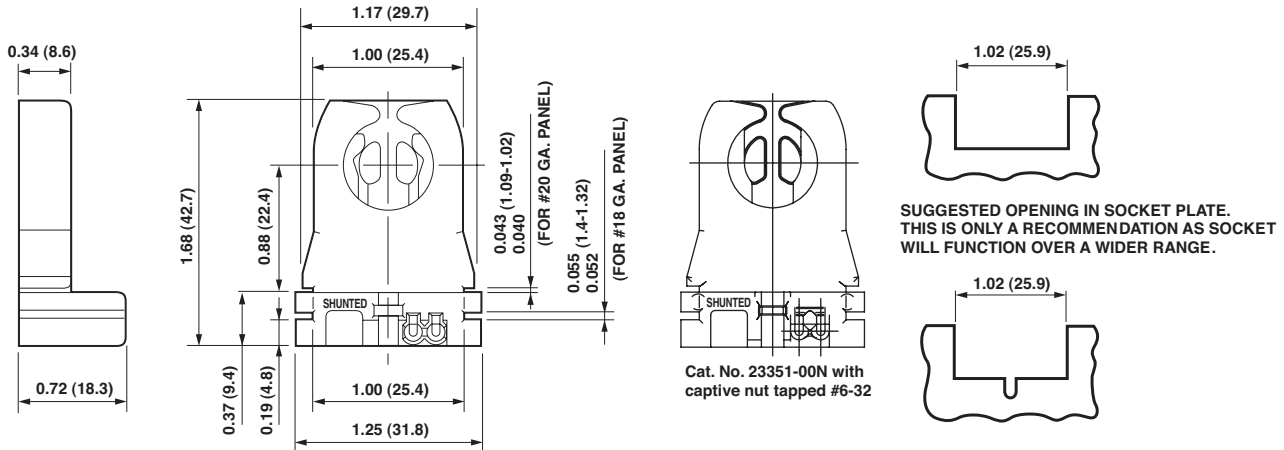
Cat. No. 23351: Medium Bi-Pin Turn-Type Fluorescent Lampholder for T-8 and T-12 Lamps, with internal shunt connection for use with electronic ballasts.

Cat. No. 23351-REJ: With rejection post on body, for T-8 lamps only.

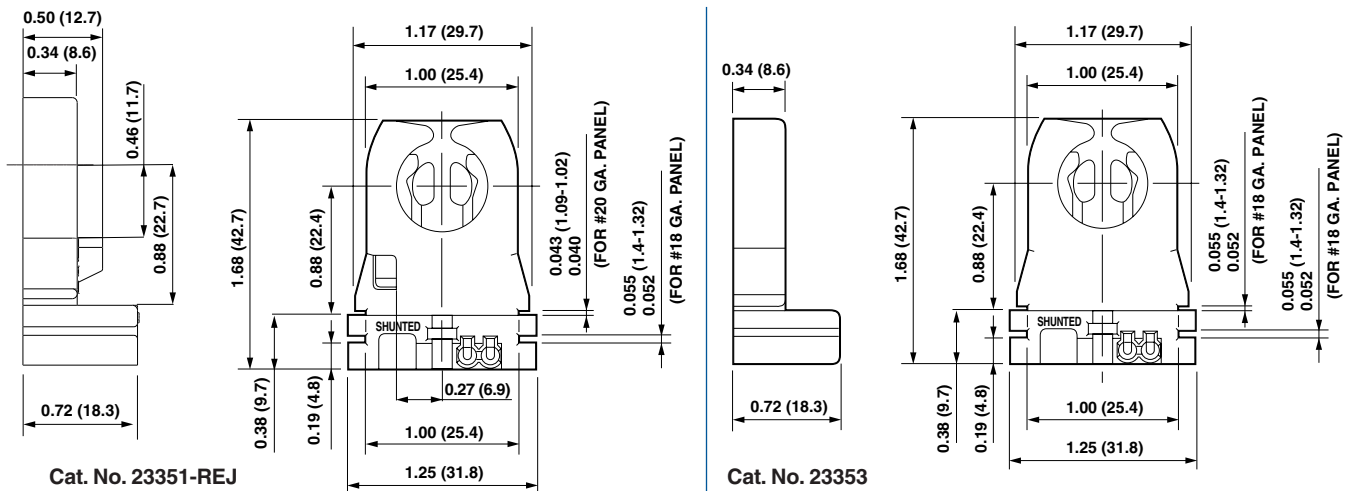
Cat. No. 23351-00N: Captive nut and screw.

Cat. No. 23353: With two side and two base slots for 18 ga. panels.

- 660W-600V
- UL Listed E-5833
- CSA Certified LR-1863



Cat. No. 23351



MEDIUM BI-PIN STRAIGHT-IN LAMPHOLDERS

G13 Base



LINEAR FLUORESCENT

Lampholders for Straight-In Lamp Insertion

Dedicated for T-8 Lamps

Molded in white thermosetting urea. Copper-alloy, double edge contacts, with easy-to-install design. Knife-edge contacts. Slide-on mounting for 20-gauge panels (Cat. No. 13451-020) or 18-gauge panels (Cat. No. 13451-018) permits quick installation. Terminals are push-in wire type. Will accept No. 18 AWG wire, either solid, solder-dipped, or twisted-tinned-and-fused wire.

Standard pack: bulk

Cat. No. 13451-018: For 18 gauge panel mount.

Cat. No. 13451-020: For 20 gauge panel mount.

Cat. No. 13451-0NX: Captive nut and screw.

Cat. No. 13451-00N: Same as 13451-0NX, with captive nut only.
#6-32 x 3/8" screws packed bulk.



Lampholder with Internal Shunt Connection

Specially designed for use with electronic ballasts. Provides easier fixture assembly by eliminating need for jumper-wire.

Cat. No. 23451-018: For 18-gauge panel mount.

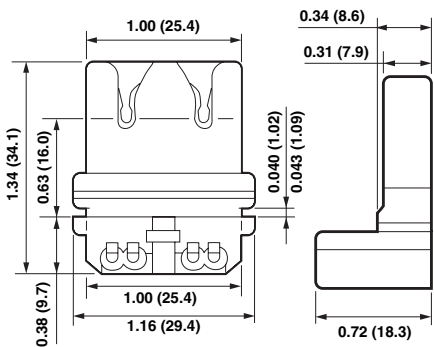
Cat. No. 23451-020: For 20-gauge panel mount.

Cat. No. 23451-0NX: Captive nut and screw.

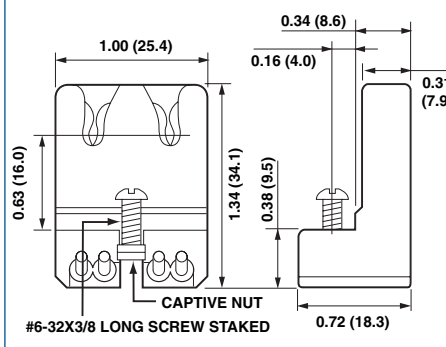
Cat. No. 23451-00N: Same as 23451-0NX, with captive nut only,
#6-32 x 3/8" screws packed bulk.



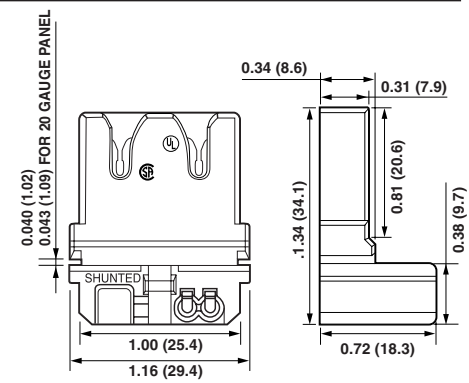
- 660W-600V
- UL Listed E-5833
- CSA Certified LR-5863
- NOM Certified 057



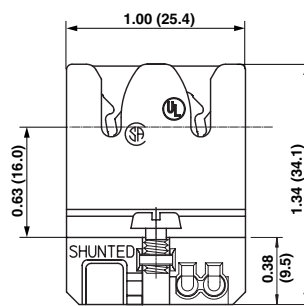
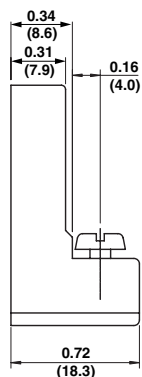
Cat. No. 13451-020



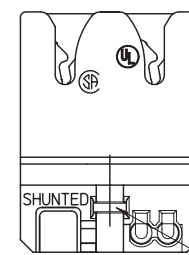
Cat. No. 13451-0NX



Cat. No. 23451-020



Cat. No. 23451-0NX



Cat. No. 23451-00N

For answers to technical questions, call Leviton's Techline at 1-800-824-3005Building A Connected World

SECTION A

MEDIUM BI-PIN STRAIGHT-IN LAMPHOLDERS

Low Profile • G13 Base



LINEAR FLUORESCENT



13150-UR7

Straight-In Lampholders for T-8 and T-12 Lamps

Low Profile Size

Straight-in double-edge contacts. Body is white thermosetting urea. Quickwire pressure terminals accept No. 18 gauge stranded, twisted and overtinned or No. 18 gauge solid or solder-dipped leads, stripped 3/8". Unplated contacts are standard.

Standard pack: bulk

Cat. No. 13150-UR7

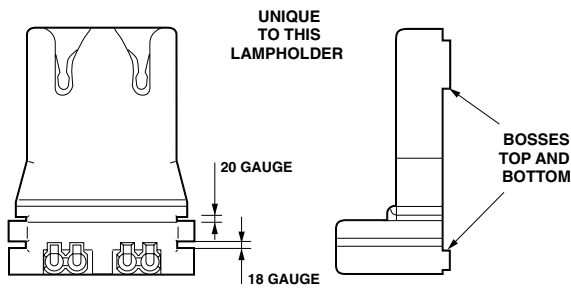
Lampholder with Internal Shunt Connection

Specially designed for use with electronic ballasts.

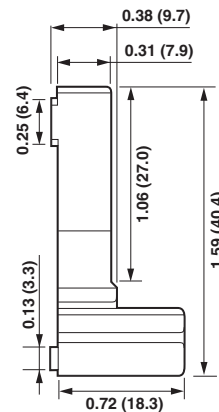
Provides easier fixture assembly by eliminating need for jumper-wire. Large "S" identifies shunted version.

Cat. No. 23150-UR7

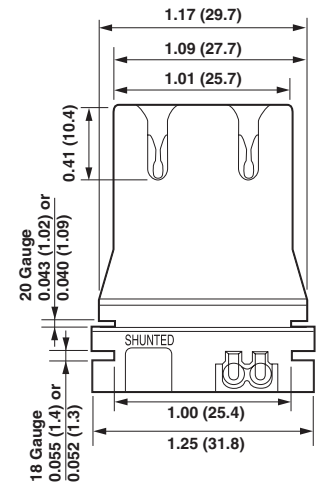
- 660W-600V
- UL Listed E-5833
- CSA Certified LR-1863
- NOM Certified 057



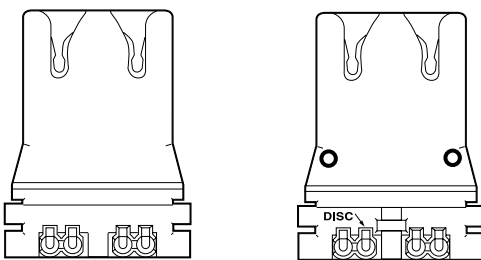
Cat. No. 13150-UR7 (Less Nut Slot)



Cat. No. 23150-UR7
(Less Nut Slot)



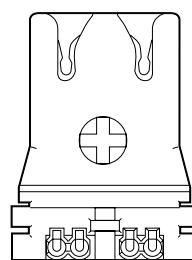
With Wings for 20 Gauge Panel



Cat. No. 13150-UR5
11/32" thick, less nut slot

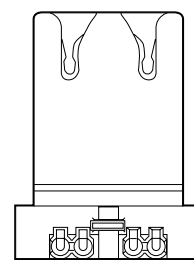
Cat. No. 13151-00D
5/16" thick, disconnect

With Wings for 18 Gauge Panel



Cat. No. 13153-00U
5/16" thick

Without Wings for Screw Mounting



Cat. No. 13250-0UN 11/32" thick, captive nut and screws, furnished bulk

MEDIUM BI-PIN STRAIGHT-IN LAMPHOLDERS

G13 Base



LINEAR FLUORESCENT

Medium Bi-Pin Lampholders for T-8 and T-12 Lamps

Butt-On

Molded body (black or white – 377-00W). Slots designed for straight line lamp insertion into spring fingers. Leads are No. 18 AWG 105°C AWM-TEW plastic insulated wire, 9" long, stripped 3/4" (other type leads and lengths available). Back or flush wiring. Two mounting screws #4-36 x 1/2" long and nuts furnished.

Cat. No. 377

- 660W-250V • UL Listed E-5833 • CSA Certified LR-5863

Butt-On

Molded body, black or white (1377-00W). One-hole mounting. Leads are same as 377 (other type leads and lengths available). One #6-32 x 1/2" mounting screw furnished.

Cat. No. 1377

- 660W-600V • UL Listed E-5833 • CSA Certified LR-5863
- NOM Certified 057

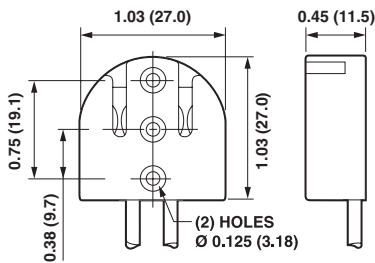


377

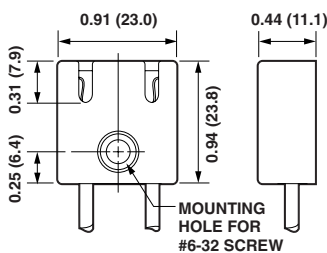


1377

SECTION A



Cat. No. 377



Cat. No. 1377

MEDIUM BI-PIN STRAIGHT-IN LAMPHOLDERS

Low Profile • G13 Base



LINEAR FLUORESCENT



23151-0LU

Straight-In Lampholder with Self-Locking Device for T-8 and T12 lamps

Straight-in double-edge contacts. Body is white thermosetting plastic with movable red fiber self-locking lamplock eyeleted to body. Quickwire push-in terminals accept #18 AWG solid, solder-dipped or twisted-and-tinned. Unplated contacts are standard.

Available with captive mounting nut and #6-32 x 3/8" screw.

Standard pack: bulk

Cat. No. 13151-0LU

Lampholder with Internal Shunt

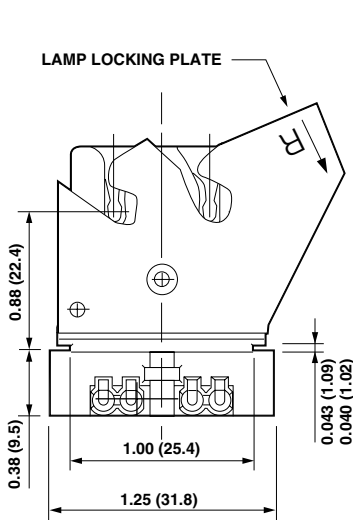
Specially designed for use with electronic ballasts.

Provides easier fixture assembly by eliminating need for jumper-wire. Large "S" identifies shunted version.

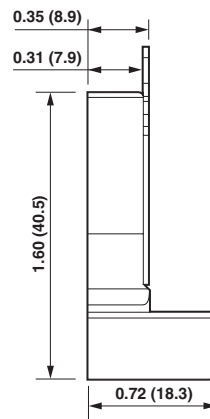
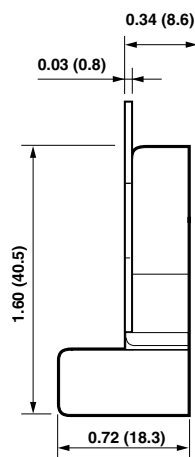
Cat. No. 23151-0LU

- 660W-600V
- UL Listed E-5833
- Nom Certified 057

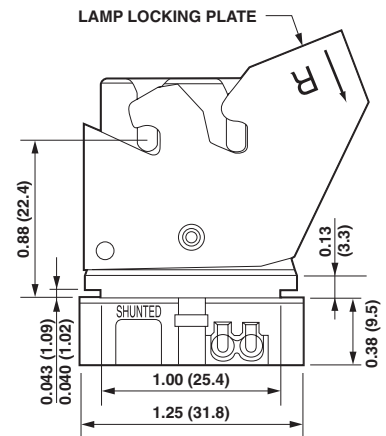
| Cat. No. | Gauge | Description |
|-----------|-------|--------------------------------|
| 13151-0LU | 20 | Lamplock less nut |
| 13153-0LU | 18 | Lamplock less nut |
| 13153-0LN | 18 | With captive nut less bosses |
| 23151-0LU | 20 | Internally shunted less bosses |



Cat. No. 13151-0LU



Cat. No. 23151-0LU



MEDIUM BI-PIN FLOATING ACTION

For U-Shape Lamps • G13 Base



LINEAR FLUORESCENT

Slide-On Self-Aligning for T8 and T12 U-Shape Lamps

Low profile body. Double edge contacts. Quickwire push-in wire terminals. White urea socket housing. Self-aligning action of the lampholder in the mounting slot completely floats lamp.

Cat. Nos. 13180-00U, 13180-0U2 & 13181-00U
(STANDARD)

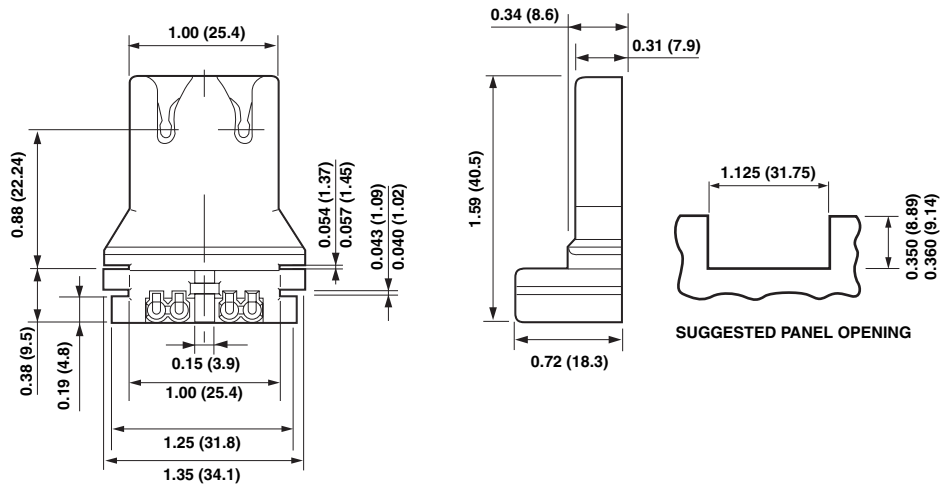
- 660W-600V • UL Listed E-5833
- NOM Certified 057

Cat. No. 13080
(STANDARD)

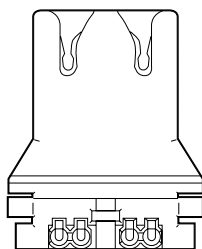
- 660W-600V • UL Listed E-5833
- CSA Certified LR-1863



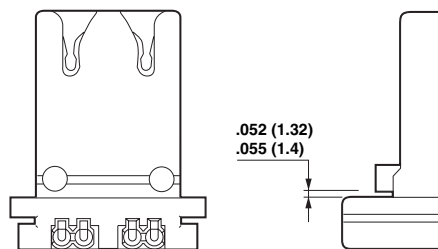
SECTION A



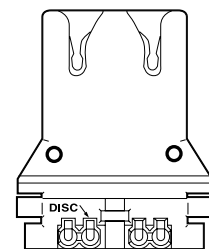
Cat. No. 13180-00U



Cat. No. 13180-00U for 18 or 20 gauge panel mount



Cat. No. 13180-0U2 for 18 gauge panel mount



Cat. No. 13181-00U Disconnect for 18 or 20 gauge panel mount

MEDIUM BI-PIN TURN-TYPE LAMPHOLDERS

Tall Profile • G13 Base



LINEAR FLUORESCENT



13354

Turn-Type Lampholders for T-8 and T-12 Lamps

Tall profile. Molded, white thermosetting urea. Knife-edge contacts. Quickwire pressure terminals accept stranded No. 18 gauge, twisted and overtinned, or No. 18 solid or solder-dipped leads, stripped 3/8". Multiple terminal slots permit double connections at each contact. Recessed wire wells completely enclose conductor, insulating against shorts. Screws assembled or furnished bulk are #6-32 x 3/8".

Cat. Nos. 13354 & 13355

Lampholders with Internal Shunt Connection

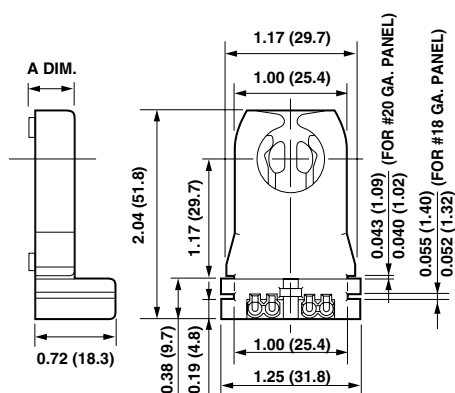
Specially designed for use with electronic ballasts.

Provides easier fixture assembly by eliminating need for jumper-wire. Large "S" identifies shunted version.

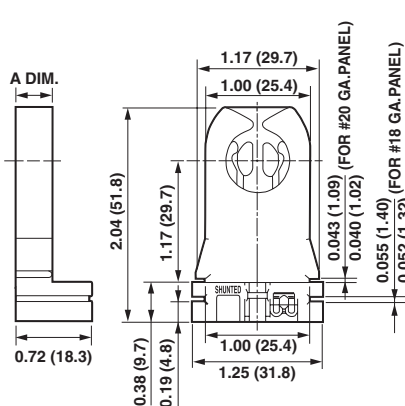
Cat. Nos. 23354 & 23355

- 660W-600V
- UL Listed E-5833
- CSA Certified LR-5863
- NOM Certified 057

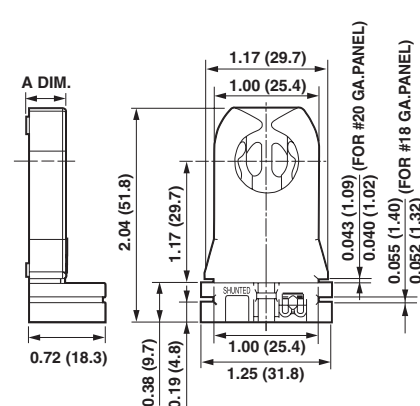
| Cat. No. | A Dim. Thickness | Side Groove Mounting | With Captive Nut Assembled | Internal Shunt |
|-----------|------------------|----------------------|----------------------------|----------------|
| 13354 | 3/8 (9.53) | For #20 ga. panel | — | — |
| 13354-00N | 3/8 (9.53) | For #20 ga. panel | X | — |
| 23354 | 3/8 (9.53) | For #20 ga. panel | — | X |
| 13355 | 11/32 (8.73) | For #20 ga. panel | — | — |
| 13355-00N | 11/32 (8.73) | For #20 ga. panel | X | — |
| 23355 | 11/32 (8.73) | For #20 ga. panel | — | X |



Cat. No. 13354



Cat. No. 23354



Cat. No. 23355

MEDIUM BI-PIN TURN-TYPE LAMPHOLDERS

Tall Profile • G13 Base



LINEAR FLUORESCENT

Turn-Type Lampholders for T-8 and T-12 Lamps

Tall profile, pedestal-based fluorescent lampholders of molded, white thermosetting urea. Knife-edge contacts. Quickwire pressure terminals accept stranded No. 18 gauge, twisted and overtinned, or No. 18 solid or solder-dipped leads, stripped 3/8". Multiple terminal slots permit double connections at each contact. Recessed wire wells completely enclose conductor, insulating against shorts. Screws assembled or furnished bulk are #6-32 x 3/8".

Cat. Nos. 13357, 13358 & 13359 Series

Lampholder with Internal Shunt Connection

Specially designed for use with electronic ballasts.

Provides easier fixture assembly by eliminating need for jumper-wire. Large "S" identifies shunted version.

Cat. No. 23357

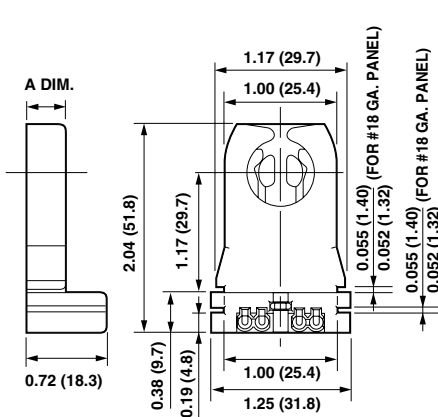
- 660W-600V • UL Listed E-5833 • CSA Certified LR-5863 • NOM Certified 057



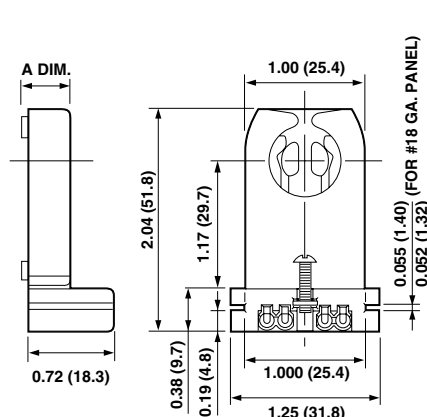
13357

SECTION A

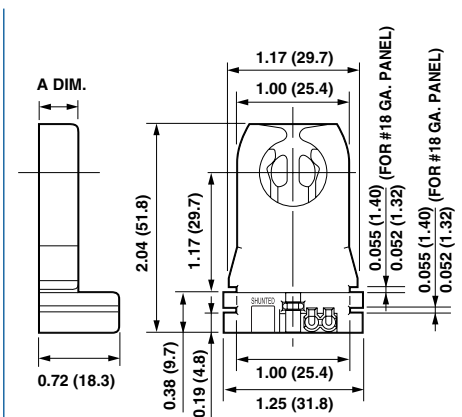
| Cat. No. | A Dim. Thickness | Side Groove Mounting | With Captive Nut Assembled | With Captive Nut & Staked Set Screw Assembled |
|-----------|------------------|----------------------|----------------------------|---|
| 13357 | 11/32 (8.73) | For #18 ga. panel | - | - |
| 13357-00N | 11/32 (8.73) | For #18 ga. panel | X | - |
| 13357-ONX | 11/32 (8.73) | For #18 ga. panel | - | X |
| 23357 | 11/32 (8.73) | For #18 ga. panel | - | - |
| 13358 | 3/8 (9.53) | Less side grooves | - | - |
| 13358-00N | 3/8 (9.53) | Less side grooves | X | - |
| 13358-ONX | 3/8 (9.53) | Less side grooves | - | X |
| 13359 | 11/32 (8.73) | Less side grooves | - | - |
| 13359-00N | 11/32 (8.73) | Less side grooves | X | - |
| 13359-ONX | 11/32 (8.73) | Less side grooves | - | X |



Cat. No. 13357-00N



Cat. No. 13358-ONX



Cat. No. 23357

MEDIUM BI-PIN TURN-TYPE LAMPHOLDERS

Disconnect • G13 Base



LINEAR FLUORESCENT



13351-00D



13354-00D

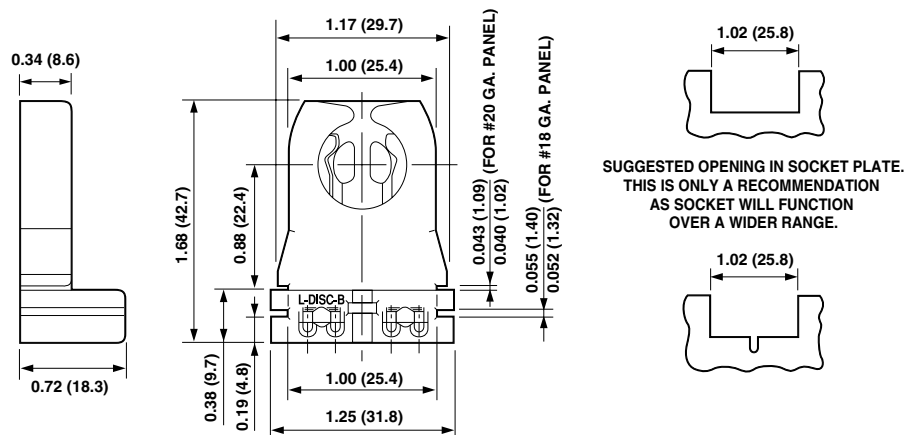
Disconnect/Circuit-Interrupting Fluorescent Lampholders for T-8 and T-12 Lamps

- Meets UL 1570 requirements for disconnect/circuit-interrupting lampholders in fixtures rated at 300V or greater
- Available in low-profile and tall-profile versions

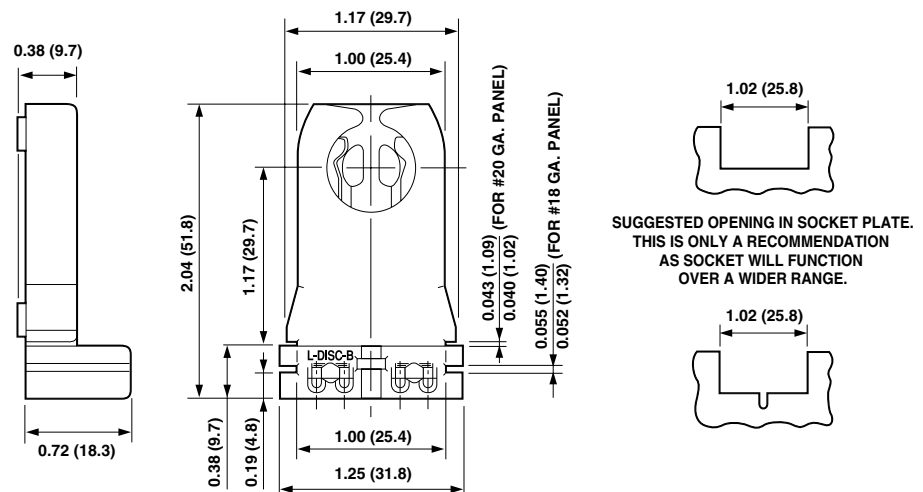
Turn-type, medium bi-pin lampholders for disconnect/circuit-interrupting applications. Knife-edge contacts. Body is molded, white thermosetting urea. Quickwire pressure terminals accept stranded No. 18 AWG twisted and overtinned, or No. 18 AWG solid or solder-dipped leads, stripped 3/8". Recessed wire well completely encloses conductor, insulating against shorts. The recessed wire well on one side of the lampholder is labeled "L-DISC-B" to clearly identify line and ballast disconnect terminals. The back of each lampholder is stamped "D" for easy identification as a disconnect device.

Cat. No. 13351-00D Low Profile & 13354-00D Tall Profile

- 660W-600V • UL Listed E-5833 • CSA Certified LR-1863 • NOM Certified 057



Cat. No. 13351-00D



Cat. No. 13354-00D

MEDIUM AND MINIATURE BI-PIN LAMPHOLDERS

G5/G13 Base



LINEAR FLUORESCENT

Medium Bi-Pin Lampholders for T-8 and T-12 Lamps – G13 Base

Automatic Locking & Ejection (T-8 only)

Nos. 486 & 487 furnished in pairs. Molded in white. Steel mounting bracket riveted to body. Mounting hole tapped #6-32. Leads are No. 18 AWG 105°C AWM-TEW plastic insulated wire, 6" long, stripped 3/4" (other type leads and lengths available).

Cat. Nos. 486 & 487

- 660W-250V • UL Listed E-5833 • CSA Certified LR-5863

Thin, Rapid-Start Quickwire

Each contact has two wire-slot terminals to accommodate all circuit requirements, including jumper connection for rapid-start circuits. Accepts No. 18 AWG wire, stripped-and-twisted 3/8" or solder-dipped full length. Release slots at each connection. One-screw mounting. Recess in rear for optional bracket-mounting.

Suggested max. bracket thickness: .047".

Back-to-back dimension: Nominal lamp length less 1/16". No. 431-02W same as No. 431, except mounting hole tapped #8-32.

Cat. No. 431

- 660W-600V • UL Listed E-5833 • CSA Certified LR-1863 • NOM Certified 057



486



487



431



420

SECTION A

Miniature Bi-Pin Lampholder for Standard T5 Lamps – G5 Base

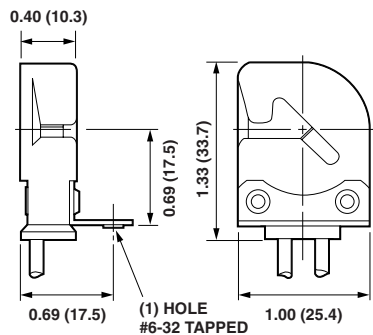
(Not Suitable for High Output)

Molded black or white (-00W). Wired through back or flush with insulating mounting bracket. Special mounting brackets available. Leads are No. 18 AWG 105°C AWM-TEW plastic insulated wire, 6" long, stripped 3/4".

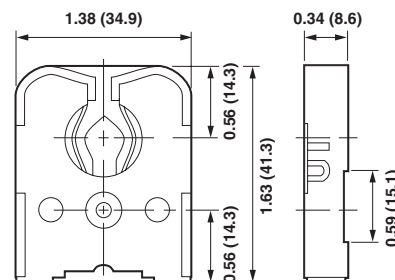
Standard pack: bulk

Cat. No. 420

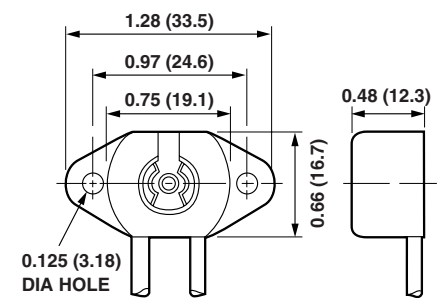
- 75W-250V • UL Listed E-5833 • CSA Certified LR-5863 • NOM Certified 057



Cat. No. 487



Cat. No. 431



Cat. No. 420

MEDIUM BI-PIN LAMPHOLDERS

Screw Terminals • G13 Base



LINEAR FLUORESCENT



390-01W

Medium Bi-Pin Lampholder for T-8 and T-12 Lamps

Available in white only. Screw terminals on bottom with wireways for straight mounting, through slotted hole.

Grooves in slot for retaining square nut. Insulating cover. (1) round head #6-32 screw by 7/8" long and 1/4" square nut furnished. For flush or surface mounting.

Cat. No. 390-01W



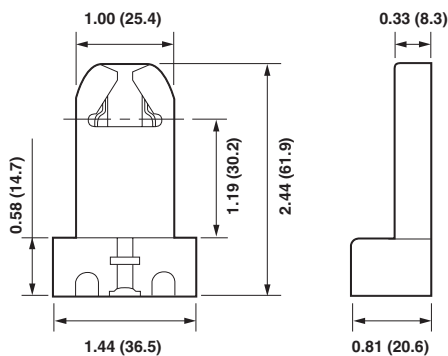
391-01W

Lampholder and Starter Base

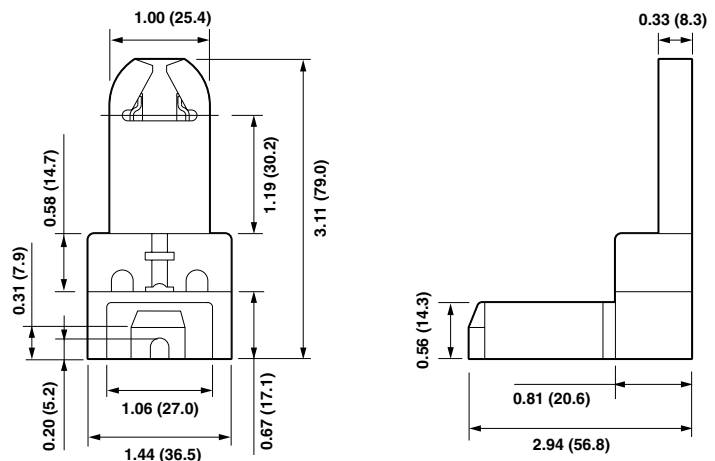
Same as Cat. No. 390-01W, attached to starter base and interconnected to eliminate wiring. Starter socket has flat phosphor bronze contacts. Terminals with wireways on bottom for straight or continuous wiring. Insulating cover (1) round head #6-32 screw by 1 5/8" long and 1/4" square nut furnished. Use with No. 390-01W.

Cat. No. 391-01W

- 660W-600V
- UL Listed 5833
- CSA Certified LR-5863



Cat. No. 390-01W



Cat. No. 391-01W

MEDIUM BI-PIN FLUORESCENT BUTT-ON LAMPHOLDERS

G13 Base



LINEAR FLUORESCENT

Rapid Start Lampholders for T-8 and T-12 Lamps

Cat. No. 395-00W: Available in white only. Leads are #18 AWG 105°C AWM-TEW plastic insulated wire, 9" long, stripped 3/4". Wireways for flush wiring.

Cat. No. 395-02W: Same as Cat. No. 395-00W, but with mounting holes tapped #4-36. Two #4-36 screws by 1 3/32" long furnished.

Cat. No. 389-00W: Disconnect lampholder with blue disconnect lead. Paired with Cat. No. 395-00W.

Cat. No. 434-00W: Same construction and dimensions as No. 395, but with tempered spring steel snap-on clips. Leads may be brought out straight or from rear, for flush mounting. When rear wiring is used, suggested panel opening is 5/8" dia.

- 660W-600V • UL Listed E-5833 • CSA Certified LR-5863
- NOM Certified 057

Plunger-Type

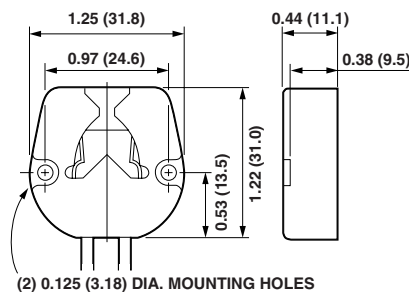
Molded white body. Copper alloy contacts. Leads, unless otherwise specified, will be one white, one black, No. 18 AWG 105°C AWM-TEW plastic insulated wire, 9" long, stripped 3/4". Two #6-32 screws furnished. Back-to-back lampholder dimensions 48 45/64", for 48" lamp.

Cat. Nos. 458 & 459

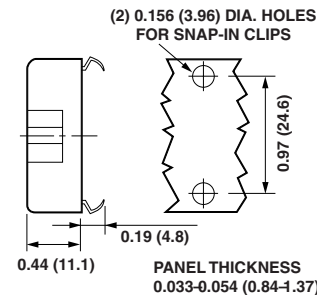
- 660W-600V • UL Listed E-5833 • CSA Certified LR-1863



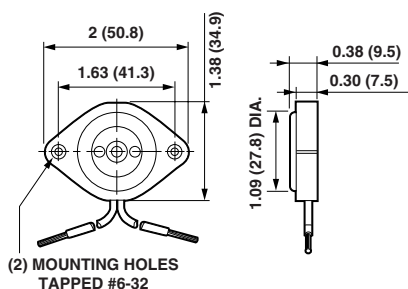
SECTION A



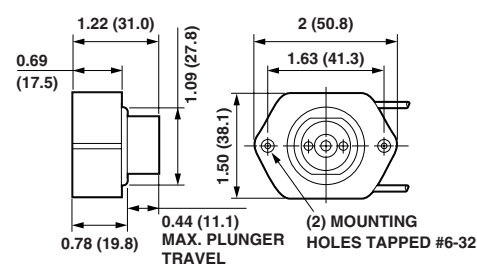
Cat. No. 395-00W



Cat. No. 434-00W



Cat. No. 458



Cat. No. 459

SNAP-IN QUICKWIRE FLUORESCENT LAMPHOLDERS

G13 Base



LINEAR FLUORESCENT

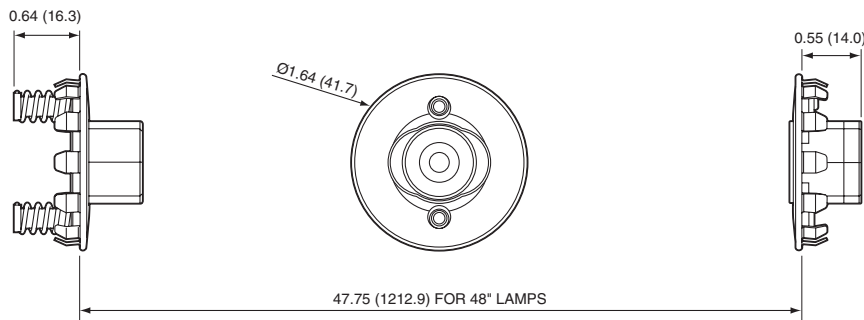


Medium Bi-Pin for T-8 and T-12 Lamps

Steel cover plates with multi-fingered stainless steel clip for fast snap-in assembly. Keyway provides proper orientation to secure the lampholder. Quickwire terminals accept either No. 18 AWG (stranded, twisted and tinned) or No. 18 AWG solid wire. Available shunted (Cat. No. 23518-23519) and non-shunted (13518-13519).

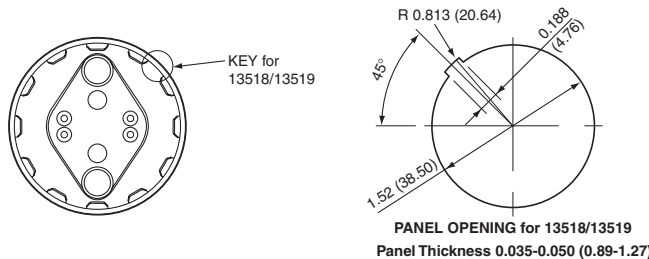
| Cat. No. | Description |
|----------|---|
| 13518 | Medium Bi-Pin Snap-In Fluorescent Lampholder for T-8 and T-12 lamps, plunger style. |
| 13519 | Medium Bi-Pin Snap-In Fluorescent Lampholder for T-8 and T-12 lamps, stationary style. |
| 23518 | Same as 13518, except with internal shunt connection for use with instant-start ballasts. Back of lampholder is stamped "S" to identify shunt and help prevent improper applications. |
| 23519 | Same as 13519, except with internal shunt connection for use with instant-start ballasts. Back of lampholder is stamped "S" to identify shunt and help prevent improper applications. |

• 6660W-600V • UL Listed E-5833 • CSA Certified LR-5863 • NOM Certified 057



Cat. No. 13518
Plunger style

Cat. No. 13519
Stationary style



SNAP-IN QUICKWIRE FLUORESCENT LAMPHOLDERS

Fa8/R17d Base



LINEAR FLUORESCENT

Snap-In Quickwire Lampholders for T-8 and T-12 Lamps

Steel cover plate with multi-fingered clips for snap-in assembly. Keyway provides proper orientation and secures lampholder. Quickwire terminals accept either No. 18 AWG (Stranded, twisted and tinned), No. 18 AWG solid, or No. 16 AWG solid.

Slimline - Fa8 Base

Cat. No. 516
660W-1000V

Cat. No. 517
660W-600V

High Output - R17d Base 800MA and 1500MA

Cat. Nos. 523 & 524
660W-600V

- UL Listed E-5833
- CSA Certified LR-5863



516



517

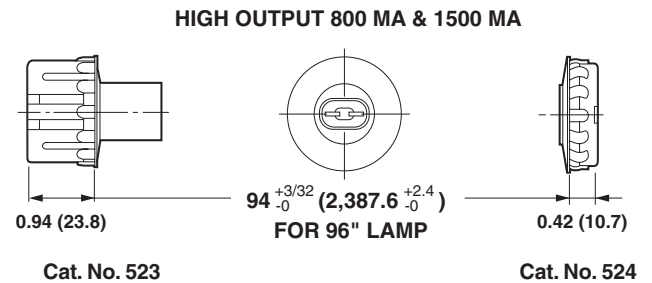
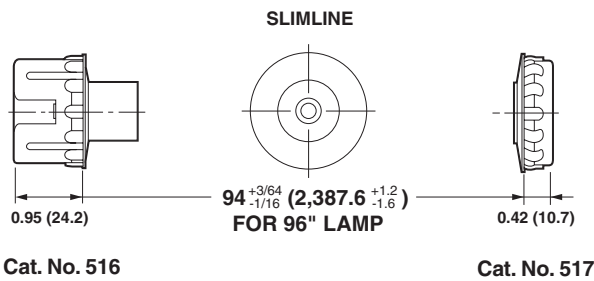


523

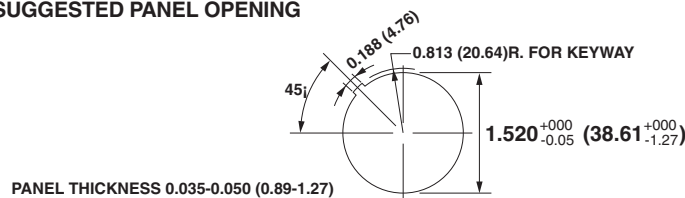


524

SECTION A



SUGGESTED PANEL OPENING



SLIMLINE LAMP HOLDERS

Fa8 Base



LINEAR FLUORESCENT



2536



2537

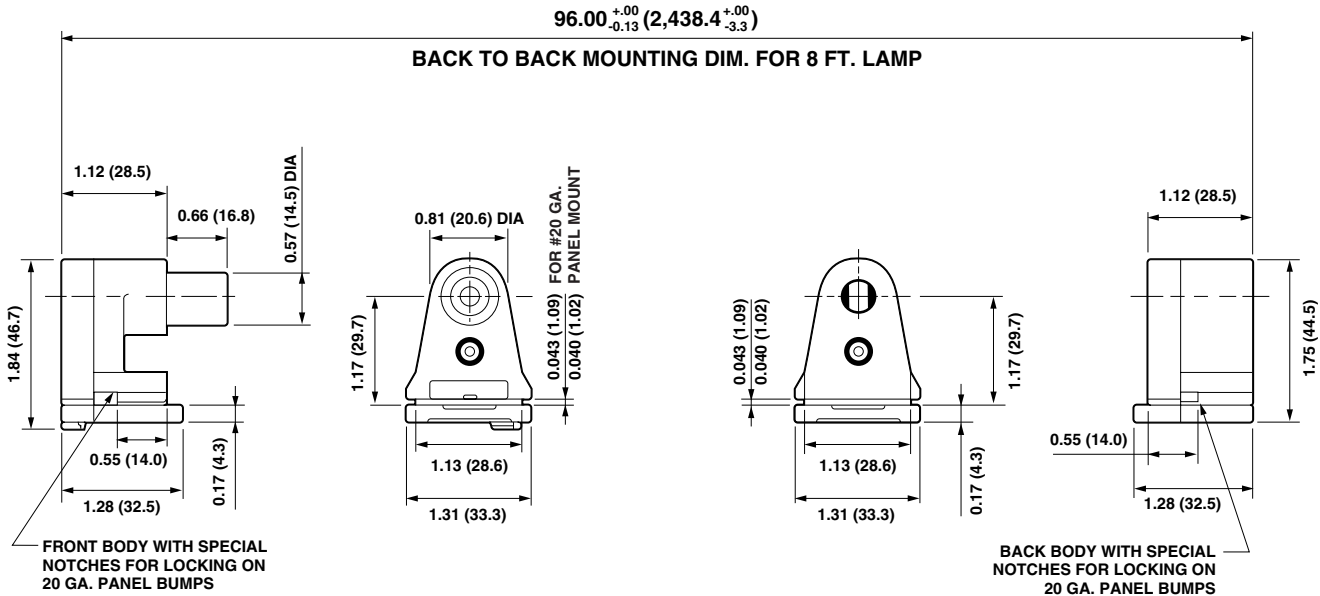
Shallow-Base Slide-On Lampholders with Lock-On Feature for T-8 and T-12 Lamps

Molded in white. Designed for slide-on or lock-on mounting on 20 gauge panels. Quickwire terminals accept No. 18 AWG stranded-twisted-and-overtinned or No. 18 AWG solid or solder-dipped leads, stripped 3/8"-5/8". Recessed wire-wells completely enclose conductor. Suitable for outdoor applications when properly enclosed.

Cat. No. 2536: Plunger Lampholder 660W-1000V

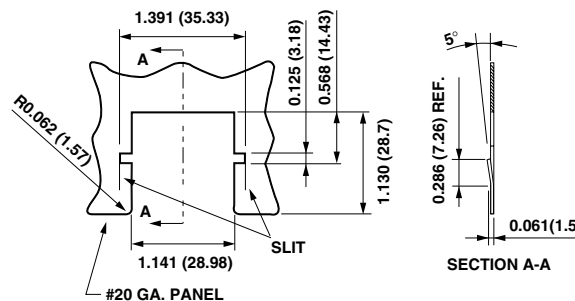
Cat. No. 2537: Stationary Lampholder 660W-600V

- UL Listed E-5833
- CSA Certified LR-1863
- NOM Certified 057



Cat. No. 2536

Cat. No. 2537



MEDIUM BI-PIN LAMP HOLDERS

Pedestal Type • G13 Base



LINEAR FLUORESCENT

Slide-On, Shallow Base for T-8 and T-12 Lamps

Molded in white. Shallow wiring recess. Multiple terminal design accepts jumper leads on stationary end. Quickwire terminals accept No. 18 or No. 16 AWG solid; solder-dipped; or twisted, tinned and fused, stripped 3/8" to 5/8". Silver plated contacts. 20 gauge panel thickness.

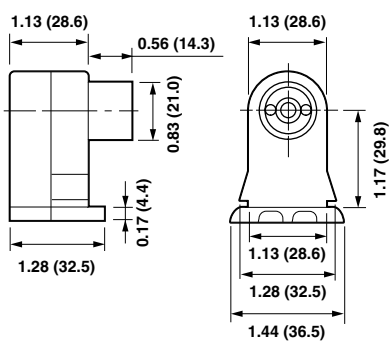
Cat. Nos. 13570 & 13571

- 660W-600V
- UL Listed E-5833
- CSA Certified LR-5863
- NOM Certified 057

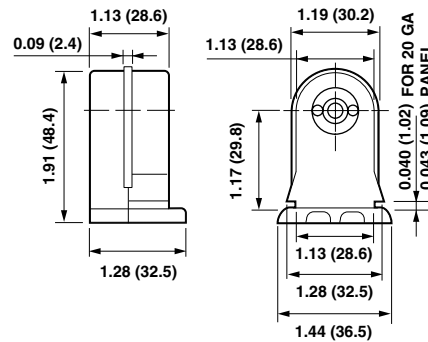
| Cat. No. | Back-To-Back Dimension |
|----------|-----------------------------------|
| 13570 | Nominal lamp length +1 3/4" ±1/32 |
| 13571 | Nominal lamp length +1 3/4" ±1/32 |



SECTION A



Cat. No. 13570



Cat. No. 13571

HIGH OUTPUT 800MA AND 1500MA RECESSED DOUBLE CONTACT

Pedestal Type • R17d Base



LINEAR FLUORESCENT

Slide-On, Shallow Base for T-8 and T-12 Lamps

Molded in white. Quickwire terminals accept No. 18 AWG twisted and tinned, solder-dipped, as well as solid leads – stripped 3/8" to 1/2". Slide-wipe horizontal contacts on both ends are silver-plated copper alloy. **Multiple terminal design accepts jumper leads on stationary end only.** Suitable for outdoor application when properly enclosed.

Cat. Nos. 13550 & 13551

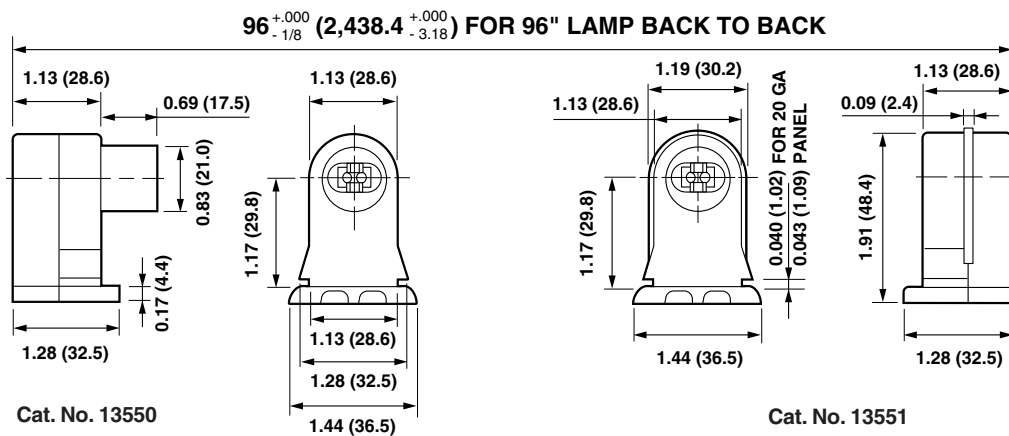
- 660W-600V
- UL Listed E-5833
- CSA Certified LR-5863
- NOM Certified 057



13550



13551



HIGH OUTPUT 800MA AND 1500MA RECESSED DOUBLE CONTACT

Pedestal Type • R17d Base



LINEAR FLUORESCENT

Rapid Start 800MA and 1500MA (T-12) HO Recessed Double Contact Screw Mounting

Molded in white. Silver-plated recessed double contacts. Screw terminals located in deeply-recessed wiring chambers. Wireways permit straight-in wiring. Permanently hinged cover over terminals. (1) #8-32 mounting screw by 1/2" long and nut furnished. Suitable for outdoor use when properly enclosed.

Cat. Nos. 464 & 465: Straight-In wiring

Cat. Nos. 13464 & 13465: Same as above, except with Push-In wiring

- 660W-600V • UL Listed E-5833 • CSA Certified LR-5863
- NOM Certified 057



464



465

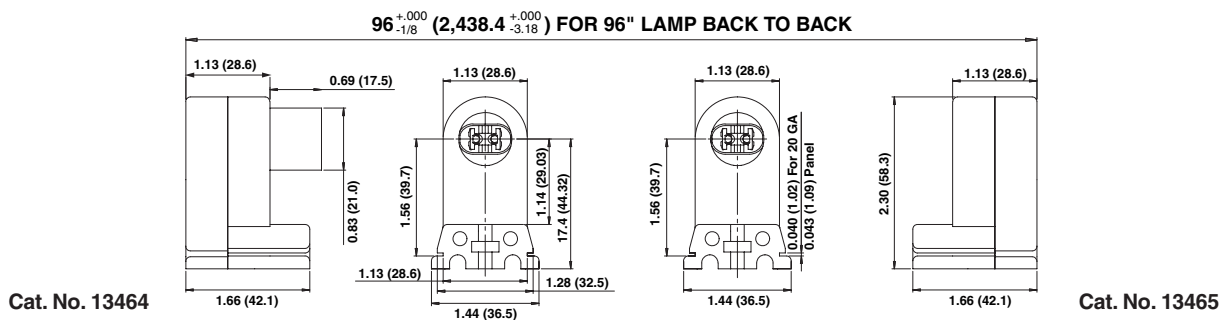
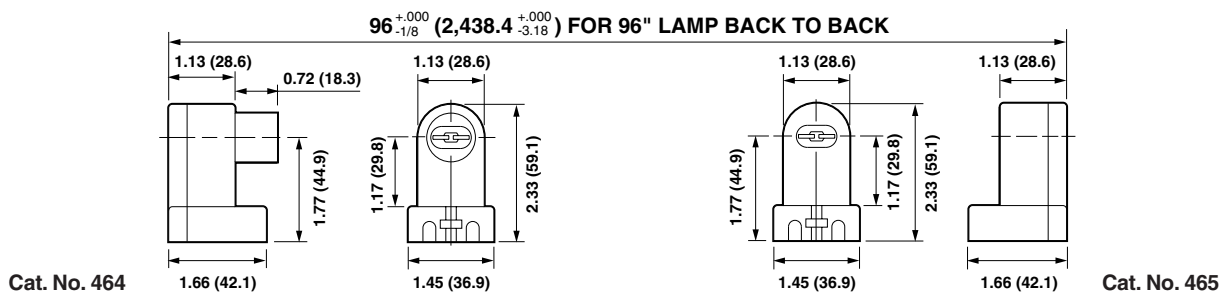


13464



13465

SECTION A



HIGH OUTPUT 800MA AND 1500MA RECESSED DOUBLE CONTACT

Pedestal Type • R17d Base



LINEAR FLUORESCENT



13556

Slide-On, Shallow Base for Power Groove and Jacketed Lamps

Molded in white. Quickwire terminals accept No. 18 AWG twisted and tinned, solder-dipped, as well as solid leads – stripped 3/8" to 1/2". Slide-wipe contacts on both ends are silver-plated copper alloy. 20-gauge panel thickness, vertical contacts. **Multiple terminal design accepts jumper leads on stationary end only.** Suitable for outdoor application when properly enclosed.

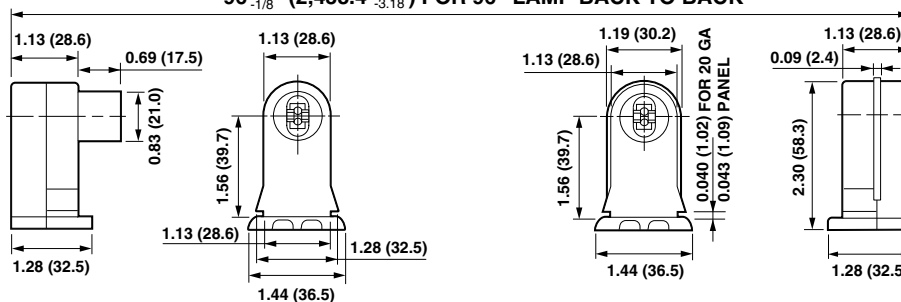
Cat. Nos. 13556 & 13557

- 660W-600V
- UL Listed E-5833
- CSA Certified LR-5863
- NOM Certified 057



13557

96^{+0.000}_{-1/8} (2,438.4^{+0.000}_{-3.18}) FOR 96" LAMP BACK TO BACK



Cat. No. 13556

Cat. No. 13557

CIRCLINE LAMP CONNECTOR/ STARTER BASES

G10q Base

Fluorescent Circline Lamp Connector

Available in white. Four leads (black, white, blue, red) No. 18 AWG 105°C AWM-TEW plastic insulated wire, 12" long, stripped 3/4". Used with high voltage instant starting transformers.

Cat. No. 408

- 660W-600V • UL Listed E-5833 • CSA Certified LR-5863



Starter Base with Terminals

Molded in black. Screw terminals on opposite sides. 2 mounting holes, on 1-7/16" centers. Two #6-32 x 13/16" Screws and nuts are furnished.

Cat. No. 380

- 660W-250V • UL Listed E-18135 • CSA Certified LR-5863



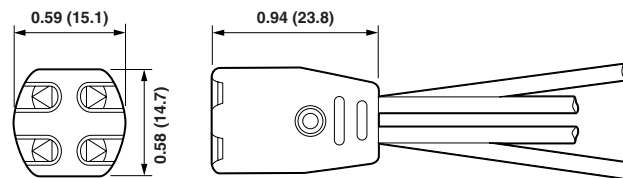
Starter Base with Leads

Cat. No. 396: Molded in black. Leads are No. 18 AWG 105°C AWM-TEW plastic insulated wire, 9" long, stripped 12". (2) #4-36 mounting screws by 7/16" long and nuts are furnished.

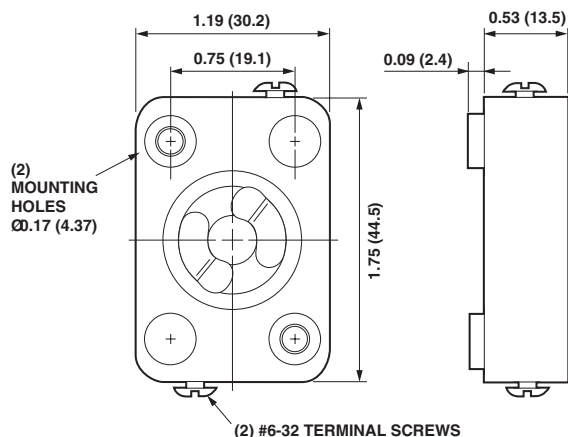
Cat. No. 396-001: Same base as 396, with mounting bracket assembled. Bracket provides #6-32 tapped holes on 1-7/16" centers. Other brackets available for special mounting applications.

Cat. No. 396-003: Same as No. 396 with holes tapped for #4-36 mounting screws. (2) 7/16" long screws furnished.

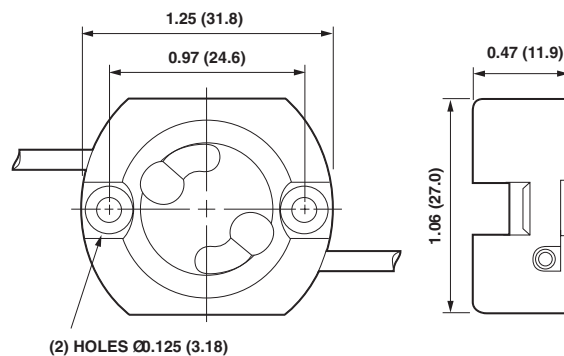
- 660W-250V • UL Listed E-18135 • CSA Certified LR-5863



Cat. No. 408



Cat. No. 380



Cat. No. 396