

COOPER LIGHTING - METALUX®

DESCRIPTION

The VT1 Series is a contemporary looking energy efficient industrial Vaportite fixture that features rugged and durable construction. The VT1 incorporates a full metal tray inside a reinforced fiberglass housing with a high impact diffuser. This Vaportite series is suitable for interior and exterior applications and can be surface or chain mounted.

The VT1 Series has been designed for maximum operation in commercial institutional and industrial environments where weathering, high temperature, humidity, dust or corrosive fumes are present.

Catalog #		Type
Project		
Comments		Date
Prepared by		

SPECIFICATION FEATURES

A... Construction

Fiberglass housing is reinforced polyester and self-extinguishing (ASTM-D635-74) plastic of a permanent pearl gray color. A watertite hub for 1/2" conduit entry is provided at each end of housing (standard) for continuous feed. Polyurethane gasketing is formed in the housing providing a continuous seamless seal for the diffuser. Eight sturdy polycarbonate cam latches clamp diffuser tightly for a positive seal between housing, gasketing and diffuser.

B... Electrical*

Unit has full metal gear tray secured by internal fasteners and tethers providing maximum protection and rigidity. Ballasts are CBM/ETL Class "P" certified to 70°C (cold temperature ballasts are available for less than 0°F starting with EHT (T5 only), EB/PLUS or ER/PLUS ballasts). Rotor lock lampholders. Electrical components and fixtures are UL/CUL listed for Wet Locations.** IP65 certified and NSF listed.

C... Shielding

New contemporary styled lens is a polycarbonate with lineal ribs. Optional clear injection molded internal prism lens. All lens are UV stabilized.

D... Mounting

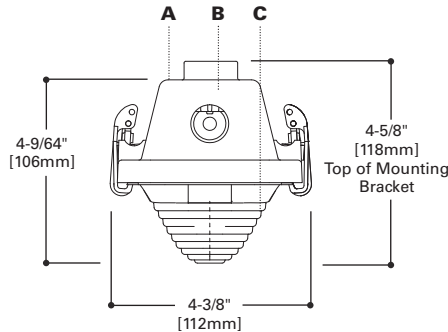
Two stainless steel brackets with chain mount bail. Adjustable along length of fixture for variable mounting centers.



VT1
132
154T5

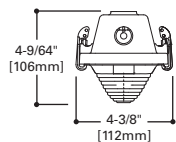
4' INDUSTRIAL
1 LAMP

Vaportite Industrial



LENS CONFIGURATIONS

Lineal Ribbed Lens



INSTALLATION DATA



MOUNTING BRACKETS Furnished Stainless steel two per 4' Unit (also includes mounting bail for chain mount. Must order chain set accessory separately)



CHAIN HANGING ACCESSORY (VT2-CHAIN/SET-U)

Includes 6 ft. of chain, 4 large S-Hooks and 4 small S-Hooks. Order (1) Kit per 4' fixture.

ENERGY DATA

Input Watts:
EB Ballast & STD Lamps
132 (30)
154T5 (54)

Luminaire Efficacy Rating

LER = F1-66

Catalog Number: VT1-154PCR

Yearly Cost of 1000 lumens,
3000 hrs at .08 KWH = \$3.64

*Reference the lamp/ballast data in the Technical Section for specific lamp/ballast requirements.

**Not Suitable for Wet Locations if EL4 Option is added. Consult Pre Sales Technical Support.

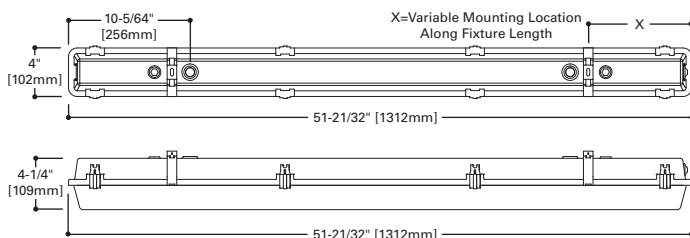
LAMPS CONTAIN MERCURY. DISPOSE ACCORDING TO LOCAL, STATE OR FEDERAL LAWS

LINEAR DISCONNECT

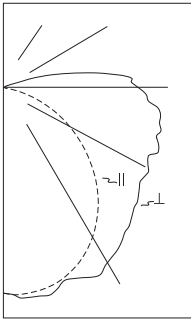
Safe and convenient means of disconnecting power.



MOUNTING DATA

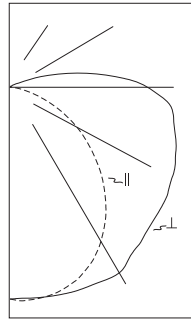


PHOTOMETRICS



VT1-154T5-PCR-UNV-EBT1-WL-U
 (1) Electronic Ballast
 (1) 54WT5HO lamp
 4400 lumens
 Spacing criterion:
 (II) 1.3 x mounting height, (L) 1.5 x mounting height
 Efficiency 77.6%
 Test Report:
 VT154T5PCR.IES
 LER =66
 Yearly Cost of 1000 lumens, 3000 hrs at .08 KWH = \$3.64

Angle	Along II	45°	Across L
0	735	735	735
5	742	755	756
10	737	758	757
15	725	753	746
20	702	729	727
25	671	684	748
30	631	679	733
35	583	676	711
40	530	631	677
45	470	591	652
50	405	545	629
55	340	504	597
60	275	462	601
65	211	426	574
70	146	404	593
75	89	396	586
80	44	380	573
85	17	347	522
90	6	300	488



VT1-132-PCR-UNV-EB81-WL-U
 (1) Electronic Ballast
 (1) 32WT8 lamp
 2850 lumens
 Spacing criterion:
 (II) 1.3 x mounting height, (L) 1.5 x mounting height
 Efficiency 74.4%
 Test Report:
 VT132PCR.IES
 LER =57
 Yearly Cost of 1000 lumens, 3000 hrs at .08 KWH = \$4.21

Angle	Along II	45°	Across L
0	453	453	453
5	457	456	453
10	454	455	455
15	446	450	457
20	433	443	458
25	413	434	459
30	386	421	461
35	354	410	445
40	318	395	434
45	280	368	422
50	239	345	415
55	199	324	409
60	160	307	398
65	120	288	390
70	81	269	378
75	49	251	365
80	25	231	355
85	9	218	336
90	3	186	294

Coefficients of Utilization

rc rw RCR	Effective floor cavity reflectance 20%																	
	80%			70%			50%			30%			10%			0%		
	70	50	30	70	50	30	50	30	10	50	30	10	50	30	10	0		
0	90	90	90	90	87	87	87	87	82	82	82	76	76	76	72	72	72	69
1	79	74	70	65	76	71	67	64	66	63	60	62	59	57	58	56	53	51
2	71	63	56	51	68	61	55	50	57	52	47	53	49	45	49	46	43	40
3	64	54	47	41	61	53	46	40	49	43	38	46	41	37	42	38	35	33
4	58	48	40	34	56	46	39	34	43	37	32	40	35	31	38	33	29	27
5	53	42	35	29	51	41	34	29	38	32	27	36	31	26	34	29	25	23
6	49	38	30	25	47	37	30	25	34	28	24	32	27	23	30	26	22	20
7	45	34	27	22	44	33	26	22	31	25	21	29	24	20	28	23	19	18
8	42	31	24	19	41	30	24	19	29	23	18	27	22	18	25	21	17	16
9	39	29	22	17	38	28	21	17	26	20	17	25	20	16	23	19	15	14
10	37	26	20	16	35	26	19	15	24	19	15	23	18	14	22	17	14	13

Coefficients of Utilization

rc rw RCR	Effective floor cavity reflectance 20%																	
	80%			70%			50%			30%			10%			0%		
	70	50	30	70	50	30	50	30	10	50	30	10	50	30	10	0		
0	87	87	87	87	84	84	84	84	79	79	79	74	74	74	69	69	69	67
1	76	71	67	63	73	69	65	61	64	61	58	60	57	55	56	54	52	50
2	68	60	54	49	65	58	53	48	54	50	45	51	47	43	47	44	41	39
3	61	52	45	39	59	50	44	39	47	41	37	44	39	35	41	37	34	32
4	56	46	38	33	53	44	37	32	41	35	31	39	34	30	36	32	28	26
5	51	41	33	28	49	39	32	27	37	31	26	34	29	25	32	28	24	22
6	47	36	29	24	45	35	28	23	33	27	23	31	26	22	29	25	21	19
7	44	33	26	21	42	32	25	20	30	24	20	28	23	19	27	22	19	17
8	40	30	23	18	39	29	23	18	27	22	18	26	21	17	24	20	16	15
9	38	27	21	16	36	26	20	16	25	20	16	24	19	15	22	18	15	13
10	35	25	19	15	34	24	18	15	23	18	14	22	17	14	21	16	13	12

Zonal Lumen Summary

Zone	Lumens	%Lamp	%Fixture
0-30	609	13.8	17.8
0-40	1019	23.2	29.9
0-60	1901	43.2	55.7
0-90	3047	69.2	89.3
0-180	3413	77.6	100.0

Luminance Data

Angle in Deg	Average 0-Deg cd/sm	Average 45-Deg cd/sm	Average 90-Deg cd/sm
45	6539	6317	5658
55	5738	5974	5453
65	4706	5866	5717
75	3064	6751	6639
85	1373	8085	7106

Zonal Lumen Summary

Zone	Lumens	%Lamp	%Fixture
0-30	372	13.0	17.5
0-40	625	21.9	29.5
0-60	1186	41.6	56.0
0-90	1912	67.1	90.2
0-180	2120	74.4	100.0

Luminance Data

Angle in Deg	Average 0-Deg cd/sm	Average 45-Deg cd/sm	Average 90-Deg cd/sm
45	3896	3934	3662
55	3358	3840	3736
65	2677	3966	3884
75	1687	4279	4135
85	727	5079	4574

ORDERING INFORMATION

SAMPLE NUMBER: VT1-154T5-PCR-UNV-EB81-WL-U

<p>Tandem Blank= 4' Length</p> <p>Series VT1=Vaportite</p> <p>Number of Lamps 1=1 Lamp (Not included)</p> <p>Wattage (Length) 32=32W T8 (48") 28T5=28W T5 (48") 54T5=54WT5HO (48")</p> <p>Lens PCR=Lineal Ribs Polycarbonate (Standard)</p>	<p>Voltage⁽¹⁾ 120V=120 Volt 277V=277 Volt 347V=347 Volt UNV=Universal Voltage 120/277⁽²⁾ UNC=Universal Voltage 347/480⁽²⁾</p> <p>GL=Single Element Fuse GM=Double Element Fuse EL=Emergency Installed</p>	<p>Ballast Type⁽¹⁾ T8 Systems EB8 =T8 Electronic Instant Start. Total Harmonic Distortion < 10% No. of Ballast 1 EB8 /PLUS=T8 Electronic Instant Start. High Ballast Factor >1.15. Total Harmonic Distortion < 10% No. of Ballast 1 ER8 =T8 Electronic Program Rapid Start. Total Harmonic Distortion < 10% No. of Ballast 1 ER8 /PLUS=T8 Electronic Program Start. High Ballast Factor >1.15. Total Harmonic Distortion < 10% No. of Ballast 1 T5 Systems EBT =T5 or T5HO Linear Electronic Program Rapid Start. Total Harmonic Distortion < 10% No. of Ballast 1 EHT =T5HO Linear Electronic Start High Ambient. Total Harmonic Distortion < 10%, less than 0°F starting temperature. No. of Ballast 1</p>	<p>WL=Wet Label</p> <p>Packaging U=Unit Pack</p> <p>Options Blank=(2) End Watertite Hubs (all Watertite Hubs have 1/2" Conduit Entry) SSL=Stainless Steel Latches C3=3' Power Cord C6=6' Power Cord PC3=3' Power Cord & Plug (Specify Voltage)⁽³⁾ PC6=6' Power Cord & Plug (Specify Voltage)⁽³⁾ VRS=Vandal Resistant Screws for Latches</p> <p>Accessories (order separately) VT2-Chain/Set-U=Chain Hanging Set Includes 6 ft. of chain, 4 large S-Hooks and 4 small S-Hooks Order One (1) Kit for each 4' Fixture</p>
--	--	--	--

NOTES: ⁽¹⁾ Products also available in non-US voltages and frequencies for international markets.
⁽²⁾ Not available when specifying emergencies, voltage must be specific. Exception: EL4 ok with UNV.
⁽³⁾ Voltage must be specified when ordered with plugs or emergency ballasts.

SHIPPING INFORMATION

Catalog No.	Wt.
VT1-132PC-WL	8 lbs.
VT1-154PC-WL	9 lbs.