



Attractive, dimmable LED alternative to popular incandescents.

A-Shape LED

Philips A-shape Dimmable LED lamps are the smart LED alternative to standard incandescents. The unique lamp design provides omi-directional light with excellent dimming performance.

Benefits

- 12.5W and 8W A19 lamps are ENERGY STAR® qualified
- Long life properties-- lowers maintenance costs by reducing re-lamp frequency
- Will not fade colors, avoids inventory spoilage
- Contains no mercury
- Emits virtually no UV/IR light in the beam
- 3-year or 5-year limited warranty depending upon operating hours

Features

- 12.5W A19, 8W A19 and 17W A21 versions available
- Smooth dimming to 10% of full light levels*
- Remote phosphor (yellow) disappears when energized to create even, soft white light
- 25,000-hour rated average life⁺
- Instant-on light



PHILIPS

Related products

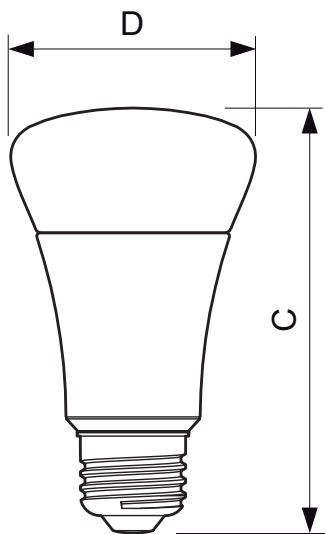


15W, 19W E26 /827 A21



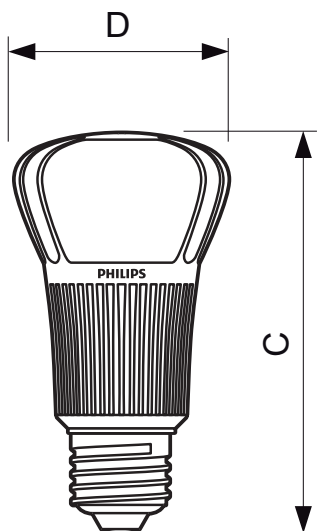
8W E26 A21, 11W E26 A19

Dimensional drawing



8A19/END/2700 DIM 6/1

Product	C (Norm)	C1 (Max)	D (Norm)	D1 (Norm)
LED 8W E26 2700K 120V A21	106.8	-	31.8	-
LED 11W E26 2700K 120V A19	106.8	-	31.8	-



15A21/2700-WHT DIM 6/1

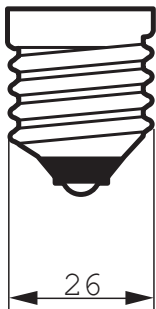
Product	C (Norm)	C1 (Max)	D (Norm)	D1 (Norm)
LED D 15W E26/827 120V A21	125	-	60	-
LED D 19W E26/827 120V A21	125	-	60	-

General Characteristics

Product number	Full product name	Cap-Base	Bulb	Rated Avg. Life (Hours)
432187	15A21/2700-WHT DIM 6/1	E26	A21	25000 hr

Product number	Full product name	Cap-Base	Bulb	Rated Avg. Life (Hours)
432211	19A21/2700-WHT DIM 6/1	E26	A21	25000 hr
423483	8A19/END/2700 DIM 6/1	E26	A21	25000 hr
423491	11A19/END/2700 DIM 6/1	E26	A19	25000 hr

Installation diagrams



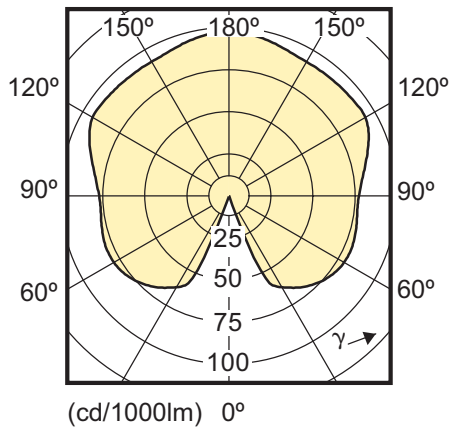
E26

Light Technical Characteristics

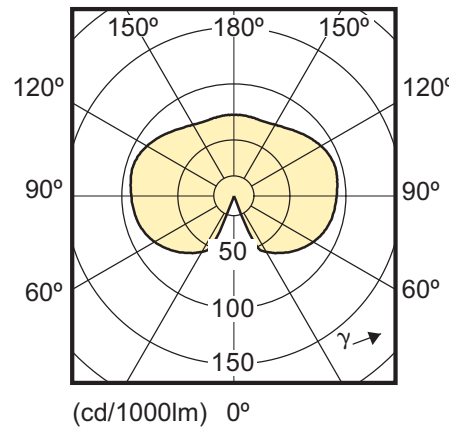
Product number	Full product name	Color Code	CRI	Color Temp. (Kelvin)	Rated Luminous Flux	LLMF - end nominal lifetime
432187	15A21/2700-WHT DIM 6/1	827	80	2700 K	1180 Lm	70 %
432211	19A21/2700-WHT DIM 6/1	827	80	2700 K	1680 Lm	70 %

Product number	Full product name	Color Code	CRI	Color Temp. (Kelvin)	Rated Luminous Flux	LLMF - end nominal lifetime
423483	8A19/END/2700 DIM 6/1	WW	81	2700 K	470 Lm	-
423491	11A19/END/2700 DIM 6/1	WW	81	2700 K	800 Lm	-

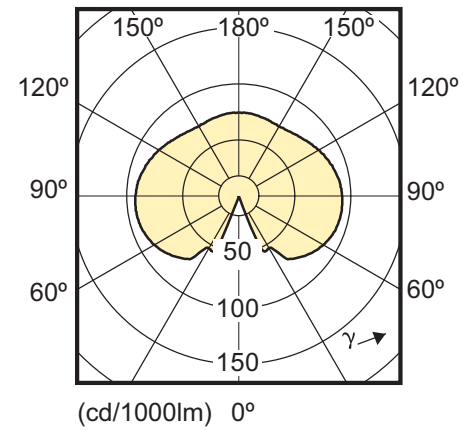
Light technical



8W E26 A21 WVV 2700K



11W E26 A19 WVV 2700K



15W E26 /827 2700K A21

Electrical Characteristics

Product number	Full product name	Wattage	Voltage	Line Frequency	Dimmable	Wattage Equivalent	Rated Wattage	Starting Time
432187	15A21/2700-WHT DIM 6/1	15 W	120 V	50-60 Hz	Yes	75 W	15 W	0.5 s
432211	19A21/2700-WHT DIM 6/1	19 W	120 V	50-60 Hz	Yes	100 W	19 W	0.5 s
423483	8A19/END/2700 DIM 6/1	8 W	120 V	60 Hz	Yes	40 W	-	0.5 s
423491	11A19/END/2700 DIM 6/1	11 W	120 V	60 Hz	Yes	60 W	-	0.5 s

Environmental characteristics

Product number	Full product name	Energy Efficiency Label (EEL)
432187	15A21/2700-WHT DIM 6/1	A
432211	19A21/2700-WHT DIM 6/1	A

Measuring Conditions

Product number	Full product name	Switching cycle
432187	15A21/2700-WHT DIM 6/1	50000X
432211	19A21/2700-WHT DIM 6/1	50000X
423483	8A19/END/2700 DIM 6/1	50000X
423491	11A19/END/2700 DIM 6/1	50000X



© 2014 Koninklijke Philips N.V. (Royal Philips)
All rights reserved.

Specifications are subject to change without notice. Trademarks are the property of Koninklijke Philips N.V. (Royal Philips) or their respective owners.

www.philips.com/lighting

2014, April 4
data subject to change