

General Purpose Plug-In Relays—D4 Series



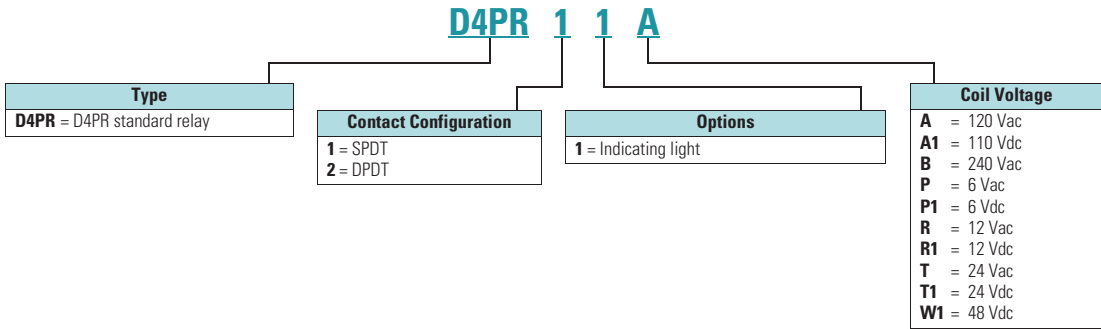
Features

- Slim-styled power relay
- Socket has built-in hold-down clip
- Panel or DIN rail mounting

Catalog Number Selection

General Purpose Plug-In Relays—D4 Series

D4 Series ①



Product Selection

D4 Relay/Socket Quick Reference

Relay Type	Socket	Hold Down Clip
D4PR1	D4PA1	②
D4PR2	D4PA2	②

D4 Series

Coil Voltage ③	Catalog Number
Standard SPDT	
24 Vac	D4PR1T
120 Vac	D4PR1A
24 Vdc	D4PR1T1
SPDT with Indicating Light	
24 Vac	D4PR11T
120 Vac	D4PR11A
24 Vdc	D4PR11T1

Coil Voltage ③	Catalog Number
Standard DPDT	
24 Vac	D4PR2T
120 Vac	D4PR2A
12 Vdc	D4PR2R1
24 Vdc	D4PR2T1
DPDT with Indicating Light	
120 Vac	D4PR21A
24 Vdc	D4PR21T1

Coil Voltage ③	Catalog Number
DIN Rail Sockets	
Single-Pole	D4PA1
Two-Pole	D4PA2
Accessories	
DIN rail end stop	PFP-M

Notes

- ① For deciphering catalog numbers. Do not use for ordering as not all combinations are readily available.
- ② Socket has built-in hold down spring.
- ③ Additional coil voltages available—consult sales office or customer support center.