

FEATURES

- Attractive fluorescent architectural recessed luminaire
- Precision optical design produces high efficiency in a high visual comfort architecturally styled direct/indirect distribution
- Available for use with T8, T5 or T5HO linear fluorescent lamps
- Custom perforated metal basket is backed by a high transmission lamp obscuring overlay
- Optimized coating process and unique paint formulation provide exceptional reflectivity in a matte finish for a soft visual image and balanced basket and reflector illumination
- Completely recessed, provides a clean ceiling with uniform illumination at mounting heights as low as 8 feet
- Optional acrylic dust guard pivots to seal lamp compartment against contaminants especially for schools, medical facilities and public spaces
- Companion Louvered (STEL), side basket (STS) and pendant (STP) models available
- Recessed, surface or cable mount
- Available with exclusive wiHUBB technology preinstalled
 - Peer to peer, self-healing wireless mesh network
 - Integrated control system for 0-10VDC or step dimming, or On/Off

PROJECT INFORMATION

Project Name _____

Type _____

Catalog No. _____

Date _____

CONSTRUCTION

Luminaire housing and end caps are die formed code gauge cold rolled steel. The sturdy reflector is stiffened with linear forms, profiled to a precision curve. Perforated basket with high transmission overlay for improved optical efficiency plus lamp obscuration. Basket and all reflective surfaces are finished after fabrication with unique formula high reflectivity matte white paint for soft, uniform indirect illumination.

Thermoplastic light traps snap into the housing at both ends of the basket to prevent light leaks. Basket hinges down for easy access to center wireway.

INSTALLATION

An access plate is furnished with each recessed fixture for fast wiring connections without the necessity to open the fixture or wireway.

BALLASTS

Energy efficient, thermally protected, automatic resetting, Class P, high power factor, sound rated A, magnetic or electronic ballasts. CEE NEMA Premium compliant. Fixtures with two ballasts or emergency-equipped fixtures may require using end wireway access.

ELECTRICAL

Standard class "P", thermally protected, autoresetting HPF ballast, sound rated A. CEE NEMA Premium compliant. All ballast leads extend a minimum of 6" through access location. NEC/CEC-compliant ballast disconnect is standard.

CEILING COMPATIBILITY

Designed for recessed installation in standard inverted tee grid ceilings (G), recessed installation in hard ceilings (G with FK accessory), surface mount at ceiling plane (SM) or cable mount suspension below ceiling plane (CM). For type SG ceilings order G trim. Fixture will be regressed 3/8" from the face of the ceiling tee. For compatibility with specific ceilings contact your Hubbell Lighting representative. Four integral T-bar clips are located in the end caps. Contact your Columbia representative for compatibility information for specific ceiling types or for continuous row applications in hard ceilings.

CERTIFICATION

All luminaires are built to UL 1598 standards and bear appropriate UL and cUL or CSA labels. Damp location labeling is standard. Emergency-equipped fixtures labeled UL 924.

ORDERING INFORMATION

EXAMPLE STE24-332G-MPO-EU

STE	24	-	3	-	MPO	-	-	
MODEL	NO. OF LAMPS				CEILING TYPE	SHIELDING	VOLTAGE	OPTIONS
STE Stratus® E-Series Recessed Indirect	3 Three			G Grid ¹ SM Surface Mount CM Cable Mount ²	MPO Metal Perf w/Overlay	U 120V-277V 347 347V	C388 3-Wire Flex C488 4-Wire Flex C588 5-Wire Flex EL T8 Emergency Battery Pack, 350-450 Lumens DG Dust Guard Clear Acrylic GLR Fast Blow Fuse GMF Slow Blow Fuse NYC NYC Compliant NYCU NYC Compliant, Union Label WIH wiHUBB Enabled ^{3,4} CP Chicago Plenum	
	SIZE		LAMP TYPE		BALLAST			
	24 2' x 4'		28 4', T5: 28 Watt 32 4', T8: 32, 30, 28 or 25 Watt 54 4', T5HO: 54 or 51 Watt		E Electronic T8, Instant Start ED Electronic Dimming T8 and T5 (specify series) EP Electronic T5, T5HO, or T8, Programmed Start 3E 3-Lamp Electronic T8, Instant Start 3EP 3-Lamp Electronic T5HO, Instant or T8 Programmed Start			
ACCESSORIES (ORDER SEPARATELY)								
FK24 2' x 4' Single Flange Kit (Shipped separately)								
FKCR Flange Kit Row Adapter								
CM48Y2Sc3F 48" Cable Mount Kit for 2' wide Cable Mount fixtures, 3 Wire								

¹ For drywall, order Flange Kit accessories separately.
² Order hanger accessories separately.
³ Not available with Surface Mount ceiling types.
⁴ In-Fixture Module Antenna adds 2" to overall fixture height at power feed location.



PHOTOMETRIC DATA

Test ITL65805 Test Date 8/30/10

LUMINAIRE DATA

Luminaire	STE24-332G-MPO-3EU Stratus, Recessed/Architectural 2 x 4 3-lamp with perforated metal baslet and opal overlay
Ballast	ICN-3P32-SC
Ballast Factor	0.88
Lamp	F28T8
Lumens per Lamp	2750
Watts	71
Shielding Angle	0° = 0 90° = 0
Spacing Criterion	0° = 1.22 90° = 1.30
Luminous Opening in Feet	Length: 3.93 Width: 1.88 Height: 0.00

ZONAL LUMEN SUMMARY

Zone	Lumens	% Lamp	% Fixt.
0-30	1750	21.2	26.9
0-40	2875	34.8	44.2
0-60	5130	62.2	78.8
0-90	6507	78.9	100.0
0-180	6507	78.9	100.0

ENERGY DATA

Total Luminaire Efficiency	78.9%
Luminaire Efficacy Rating (LER)	81
IESNA RP-1-1993 Compliance	Noncompliant
Comparative Yearly Lighting Energy Cost per 1000 Lumens	\$2.96 based on 3000 hrs. and \$0.08 per KWH

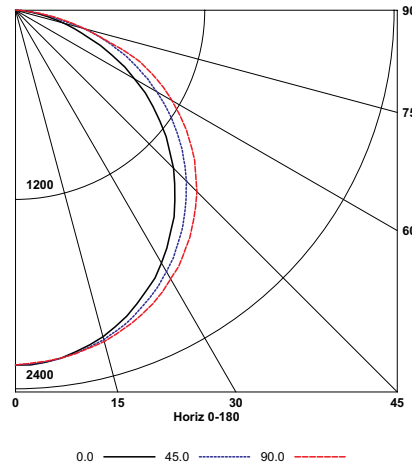
COEFFICIENTS OF UTILIZATION (%)

RCR	RW	80				70				50				0
		70	50	30	10	70	50	30	10	50	30	10	0	
1	86	82	79	76	84	80	77	74	77	74	72	66		
2	78	71	66	61	76	70	65	61	67	63	59	55		
3	71	63	56	51	69	61	55	50	59	54	50	46		
4	65	55	48	43	63	54	48	43	52	47	42	39		
5	60	49	42	37	58	48	42	37	47	41	36	34		
6	55	44	37	32	53	44	37	32	42	36	32	30		
7	51	40	33	28	50	40	33	28	38	32	28	26		
8	47	37	30	25	46	36	30	25	35	29	25	23		
9	44	34	27	23	43	33	27	23	32	27	23	21		
10	42	31	25	21	41	31	25	21	30	24	20	19		

RCR = Room Cavity Ratio

RC = Effective Ceiling Cavity Reflectance RW = Wall Reflectance

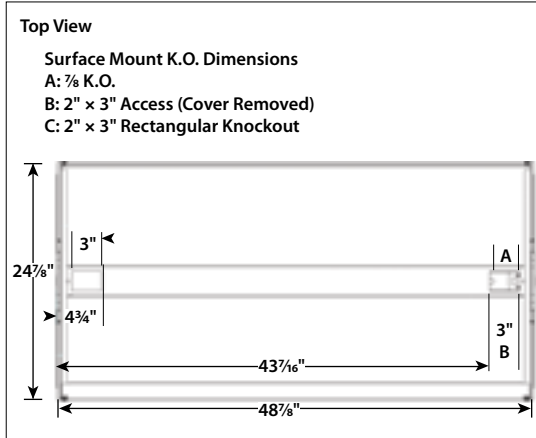
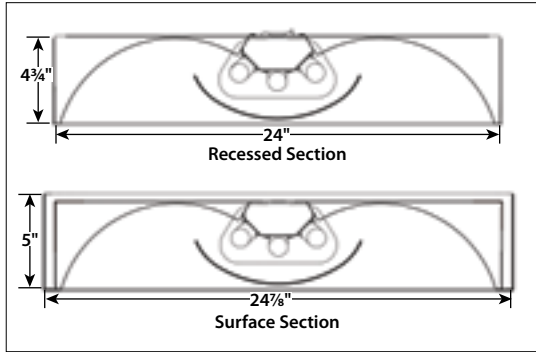
INDOOR CANDELA PLOT



AVG. LUMINANCE (Candela/Sq. M.)

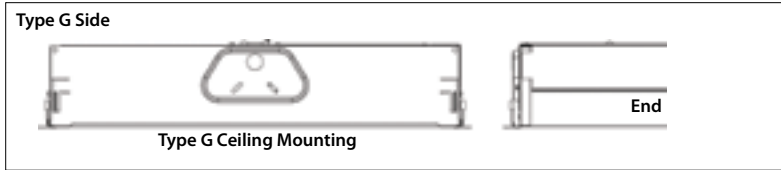
Average Luminance Angle	0.0	22.5	45.0	67.5	90.0
0	3275	3275	3275	3275	3275
30	3110	3142	3220	3285	3307
40	2986	3058	3174	3307	3330
45	2917	3000	3158	3309	3350
50	2824	2926	3125	3300	3359
55	2700	2832	3078	3289	3358
60	2538	2719	3010	3255	3339
65	2330	2603	2923	3254	3289
70	2011	2415	2794	3088	3016
75	1790	2184	2550	2561	2561
80	1460	1913	1905	2156	2114
85	919	1170	1438	1504	1504

DIMENSIONAL DATA

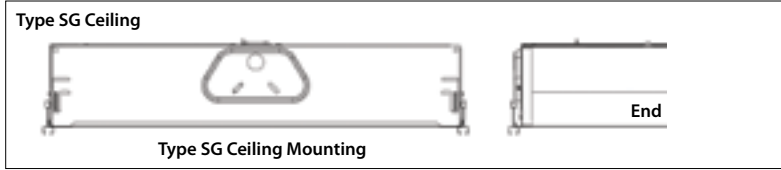


NOTE: All dimensions are in inches; dimensions and specifications are subject to change without notice. Please consult factory or check sample for verification.

CEILING COMPATIBILITY



For lay-in installation in exposed grid ceilings. Maximum tee widths of 1" and maximum heights of 1 1/2" allowed.



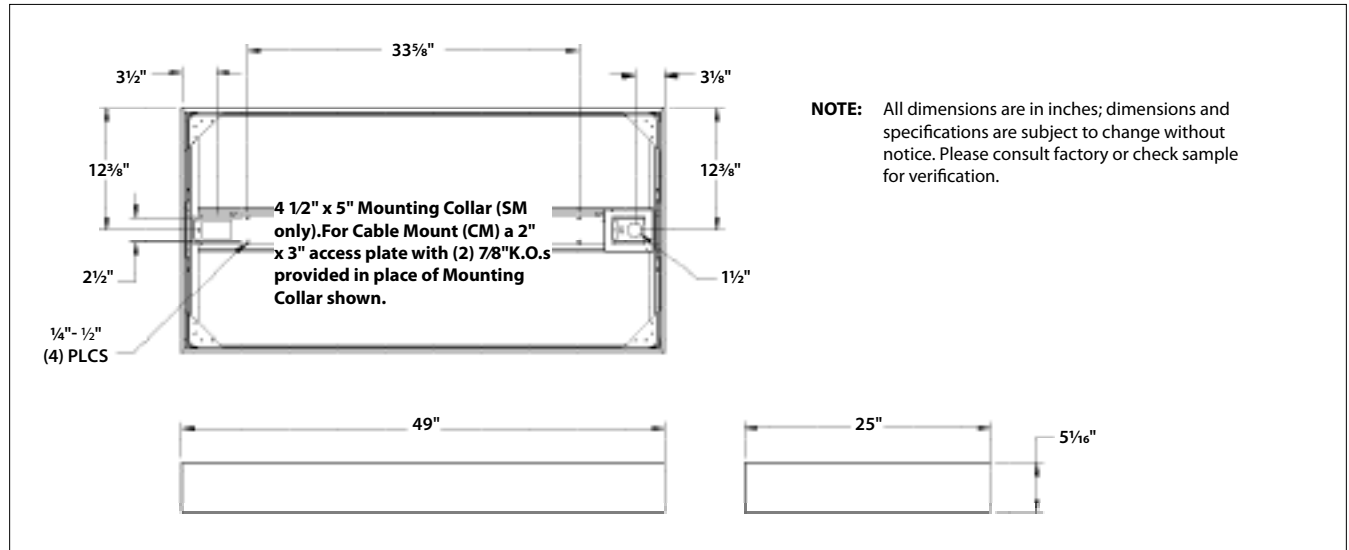
For 3/8" slot grid type ceilings. Luminaire will be regressed 3/8" horizontal surface of the tee.



For hard ceiling applications, fixtures must be ordered with a flange kit that wires directly into the concealed ceiling opening for a clean finished appearance. For row configurations contact your local Columbia Representative.

Flange kit cut out dimension for single FK24 only: 24 3/8" x 48 3/8"

DIMENSIONAL DATA - SURFACE OR CABLE MOUNT



SURFACE MOUNT

Order SM ceiling type. Mounting collar required for surface mounting. (4) Mounting knock outs, 1/4" to 1/2" provided as shown, marked "A".

CABLE MOUNT

Order CM ceiling type. Access plate supplied for cable mounting or suspension. Use CM48Y2C3F-KIT 48" cable mount kit. Includes 3 wire feed cord. For other wiring needs, contact Hubbell representative. Mounting knock-outs, 1/4" to 1/2", provided as shown, marked "A".